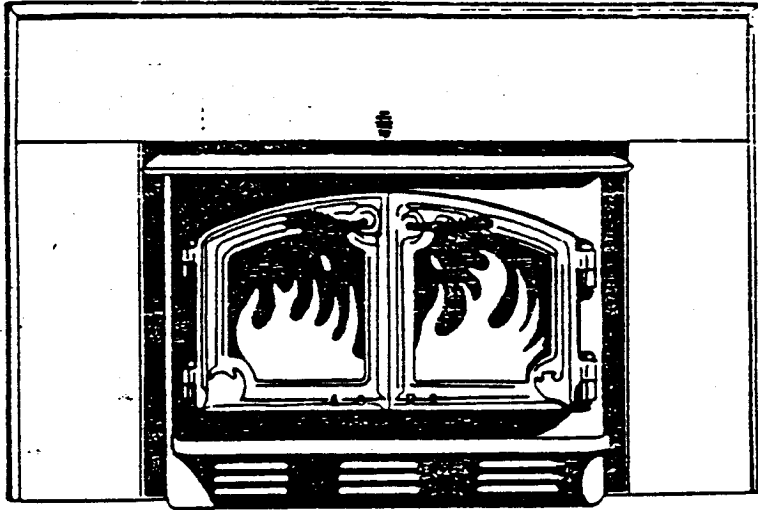


1984



LOPI ENERGY SYSTEMS WEST, LTD.  
10850 - 117th Place N.E.  
Kirkland, WA 98033



SAVE THESE INSTRUCTIONS

OWNER'S MANUAL  
Models X, FL & LX Fireplace Inserts

Tested To UL 907 (U.S.A.)  
ULC 5628 (CANADA)

## INSTALLATION

For installation in masonry fireplaces with a minimum height of 12'. DO NOT INSTALL IN METAL OR ZERO CLEARANCE FIREPLACES.

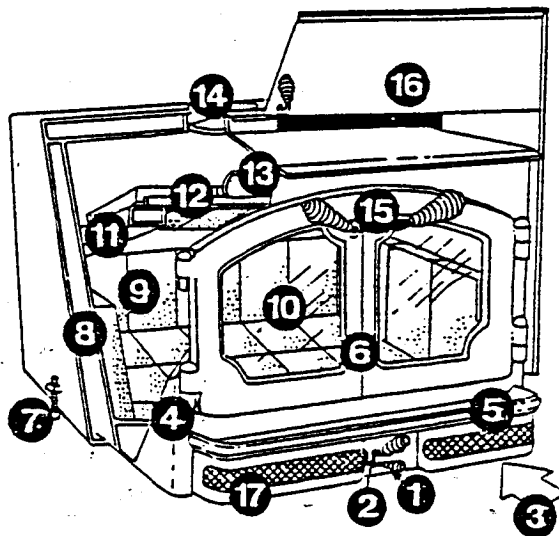
NOTE: Install and use only in accordance with the manufacturer's installation and operating instructions. DO NOT COMPROMISE.

## ASSEMBLY

This fireplace insert requires some assembly work to make the installation an easier task. This will include the removal of the boxed materials within the insert and pre-assembly of the glass, baffle and spring handles.

Below is a cut-away illustration of an insert highlighting the names, parts and operations that will be mentioned in this manual.

1. Start-up Air Override
2. Draft Control
3. Cool Air Intake
4. Hinges
5. Cast Ash Fender
6. Cast Doors
7. Leveling Bolts
8. Convection Chamber
9. Firebrick
10. High Temperature Glass
11. Primary Air Tube
12. Refractory Baffle
13. Air Wash
14. Internal 8" (20.3 cm) Flue Damper
15. Spring Handles
16. Facing Panels
17. Optional 220 CFM Blower & Shroud



Your LOPI® fireplace insert will come delivered in several cartons. These will include:

1. The Stove - Includes the baffle, doors, firebrick, ash fender, and hardware.
2. The Glass - Includes two pieces of glass, and glass gasketing.
3. The Facing Panels - Includes two side and one top panel, and hardware.

Accessories are available through your local LOPI® Dealer. These optional packages include:

1. Optional Trim Kit
2. Optional 220 CFM Blower Kit

NOTE: LOCK EXISTING FIREPLACE DAMPER IN "OPEN" POSITION BEFORE INSTALLING INSERT.

Before beginning work on the installation of this insert, it is advisable to lighten it as much as possible to allow for ease in moving. To do this, remove everything from the interior of the unit with the exception of the pre-installed baffle.

## INSTALLATION OF THE FIREPLACE INSERT

NOTE: Alterations to the insert are not allowed.

NOTE: Do not connect the insert to a chimney system serving another appliance or an air distribution duct.

Installing your insert requires some preparation and homework. LOPI® inserts are intended for installation in accordance with the Standards for Chimney, Fireplaces, and Vents, NFPA No. 211; without a direct flue collar connection to the fireplace damper opening, and with a steel facing shroud which covers the fireplace opening around the top and sides of the insert.

Certain areas require a direct flue connection for insert installation. All LOPI® inserts have been tested and approved for installation with and without the use of a direct flue connection.

NOTE: LOPI's new interior flue allows easy installation of an 8" direct flue connection on all of its insert models.

It is very important to learn your local building codes. You may be required to obtain a building permit before installing your insert. Your local Building Inspection Department will be happy to assist you in information regarding installation and safety requirements in your area. Also, notify your home insurance company that you plan to install a fireplace insert. Before using the insert, be sure to have a local Building Inspector approve your installation in writing.

**WARNING: CARELESS INSTALLATION IS THE MAJOR CAUSE OF SAFETY HAZARDS. CHECK ALL LOCAL BUILDING AND SAFETY CODES BEFORE INSTALLATION OF THE UNIT.**

Your fireplace insert is heavy and requires at least two people to move it safely. The insert can be badly damaged by mishandling. Before installing, check and clean your masonry chimney system thoroughly. If in doubt about its condition, seek professional advice from your authorized LOPI® Dealer.

**WARNING: Do not remove brick or mortar from existing fireplace to install unit. It is necessary to permanently seal any opening between the masonry of the fireplace and the facing masonry.**

### INSTALLATION USING A DIRECT CONNECTOR

1. Install side surrounds onto the Insert.
2. Measure the smokechamber opening and cut the connector plate to fit it, allowing enough overlap to secure the plate to the lintel and to the masonry. A cardboard template may be useful. Measure the distance from the surround facing panels to the flue and cut an 8" diameter hole in the connector plate for the connector pipe.

Install the connector plate to the firebox top smokechamber opening.

3. Install the 8" connector through the hole in the connector plate.
4. Push the unit into the fireplace opening until the side facing surrounds are flush with the fireplace facing.
5. Either reach up through the unit and pull the connector down through the flue, or push it down into the flue from the top.
6. Install the top facing surround.
7. Seal around the side and top facing surrounds with the fiberglass strips provided.

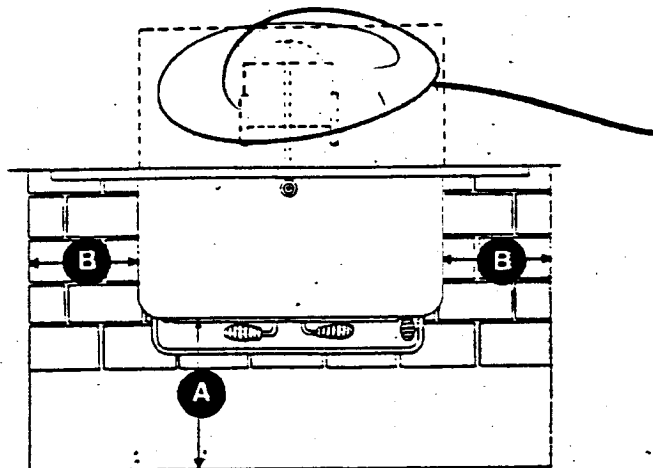
Removal for purposes of inspection or cleaning is the opposite of installation.

#### FLOOR PROTECTION

Floor protection or fireplace hearth must meet the standards required for clearance to combustibles.

The non-combustible hearth (raised or flush) should extend to at least:

- |  |  |
|--|--|
| <p>A. 18" (45.7 cm) in front of the insert door.<br/>         B. 8" (20.3 cm) to all sides of the insert.</p>  | <p>] - For fireplace openings of less than 6 square feet.</p>          |
| <p>A. 20" (50.8 cm) in front of the insert door.<br/>         B. 12" (30.5 cm) to all sides of the insert.</p> | <p>] - For fireplaces with openings of greater than 6 square feet.</p> |



FL - This stove requires a non-combustible hearth extension of 18" from the front of the unit, and 8" to both sides. If you do not have a non-combustible hearth you will be required to install a 4" raised brick hearth or a 3/8" asbestos millboard or equivalent floor protection with a 22 to 24 gauge steel top & bottom (Hunter Board).

LX - This stove requires a non-combustible hearth extension of 18" from the front of the units, and 8" to both sides. If you do not have a non-combustible hearth you will be required to install a 2½" raised brick hearth or a 3/8" asbestos millboard or equivalent floor protection with a 22 to 24 gauge steel bottom.

X - Hearth extension or pad must be 3/8" minimum thickness, or fireproof millboard, tile, brick or equivalent non-combustible material. This pad must extend 8" beyond the sides and 18" beyond the front of the unit.

## CLEARANCES TO COMBUSTIBLES

Before installing your insert, make sure that your fireplace meets the clearance to combustible surfaces set up in the table. **FAILURE TO INSTALL YOUR INSERT TO THESE CLEARANCES MAY PRESENT A SERIOUS FIRE HAZARD.**

Insert clearances have been tested with direct flue connectors. A direct flue connector is recommended for chimney diameters exceeding 10" x 12" to promote a better draw.

### FIREPLACE OPENING SIZES

|    | <u>Minimum Height</u> | <u>Depth</u> | <u>Width</u> |
|----|-----------------------|--------------|--------------|
| LX | 22-7/8                | 31-1/4       | 17-7/8       |
| FL | 22-7/8                | 31-1/4       | 17-7/8       |
| X  | 21-1/2                | 26-1/4       | 17-1/2       |

#### MODEL FL (Min. Chimney Diameter - 9" (23.0 cm))

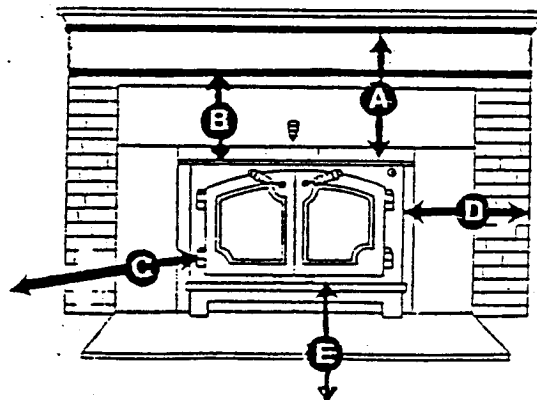
|                             |                 |                               |
|-----------------------------|-----------------|-------------------------------|
| A - Combustible Mantle      | - 35" (89.0 cm) | 27" (68.5 cm) w/Mantle Shield |
| B - Combustible Top Facing  | - 32" (81.3 cm) | 27" (68.5 cm) w/Mantle Shield |
| C - Sidewall                | - 23" (58.4 cm) |                               |
| D - Combustible Side Facing | - 12" (30.5 cm) |                               |
| E - To Any Room Combustible | - 36" (91.4 cm) |                               |

#### MODEL LX (Min. Chimney Diameter - 9" (23.0 cm))

|                             |                 |                               |
|-----------------------------|-----------------|-------------------------------|
| A - Combustible Mantle      | - 39" (99.1 cm) | 30" (76.2 cm) w/Mantle Shield |
| B - Combustible Top Facing  | - 33" (83.8 cm) | 30" (76.2 cm) w/Mantle Shield |
| C - Sidewall                | - 27" (68.6 cm) |                               |
| D - Combustible Side Facing | - 15" (38.1 cm) |                               |
| E - To Any Room Combustible | - 36" (91.4 cm) |                               |

#### MODEL X (Min. Chimney Diameter - 9" (23.0 cm))

|                             |                 |                               |
|-----------------------------|-----------------|-------------------------------|
| A - Combustible Mantle      | - 29" (73.6 cm) | 17" (43.2 cm) w/Mantle Shield |
| B - Combustible Top Facing  | - 25" (63.5 cm) | 17" (43.2 cm) w/Mantle Shield |
| C - Sidewall                | - 23" (58.4 cm) |                               |
| D - Combustible Side Facing | - 15" (38.1 cm) |                               |
| E - To Any Room Combustible | - 36" (91.4 cm) |                               |



### LEVELING BOLTS

If your fireplace is stepped down from the hearth, you will be required to utilize the leveling bolt located within the hardware package.

These bolts screw up into the welded nuts located on both sides of the firebox. You must put the leveling bolts on before placing the unit into the fireplace. Once this is done, position the unit on the hearth. Adjust the leveling bolts to the appropriate level and slide the unit halfway into the fireplace opening. From here, install the panels and fireplace lintel if needed.

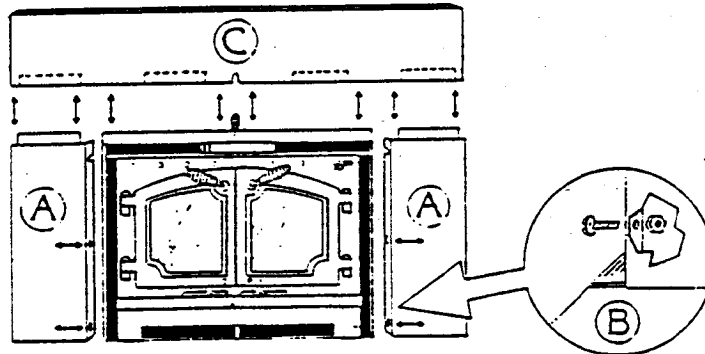
### FACING PANEL/INSULATION

Panels are provided in various sizes to frame the insert with the masonry fireplace and to make the fireplace airtight from the room. These panels must extend at least 2" (5.0 cm) beyond the fireplace facing. Once the unit is positioned in front of the fireplace, the panels may be secured.

1. Align side panel (A) with the sides of the convection chamber. Be sure that the inside panel flange (the side with the notch) fits inside the convection chamber, not butted up to the outside.
2. Align holes and install bolts from the inside of the convection chamber (see Figure B). Secure nuts to bolts and tighten.

NOTE: Due to limited space, it is advisable to use a dime to tighten the screw while the nut is held in place.

3. Once side panels are secured, position the top panel (C) over the stove so that the slots on the backside align with the top flanges of the side panels and the convection chamber. Press down and center for a secure fit.



To make the fireplace airtight, you will be required to purchase and place a 2½" (6.3 cm) thick by 2" (5.0 cm) wide strips of non-paperbacked fiberglass insulation between the panels and the masonry fireplace. This insulation can be purchased at any building supply store and cut into strips, or you can purchase specially prepared sticky-backed insulation through your authorized LOPI® Dealer.

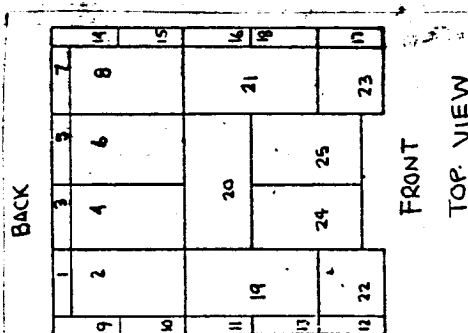
Place the insulation so that a little sticks out [about ¼" (6.0 mm)] beyond the panels and press the insert and panels tight against the fireplace wall. With a screwdriver, tuck the exposed insulation behind the panels for an airtight fit. Check for a good seal by holding a match around the perimeter of the facing panels to determine if any drafts are occurring, if so, fill the spot with more insulation and re-check.

### FIREBRICK ASSEMBLY

Firebrick is provided to protect and extend the life of the steel and help radiate heat evenly throughout the stove.

### Model X

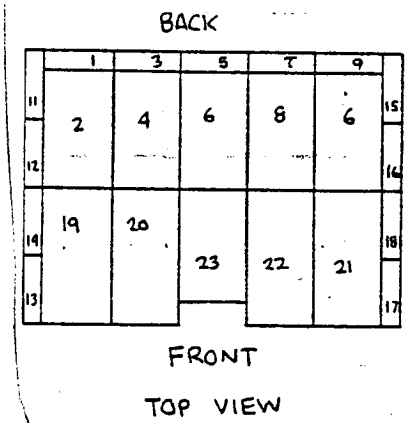
Please follow the diagram provided for the firebrick installation:



Model X insert uses full firebrick except for bricks #22, #23, which are 4 ½" X 4 ½", and bricks #24, #25, which are 7 ½" X 4 ½".  
 Note: When installing floor bricks, lift the upright back wall bricks and slide the floor bricks underneath. In this way, the back wall bricks will sit upon the floor bricks.

### Model FL

Please follow the diagram provided for the firebrick installation:

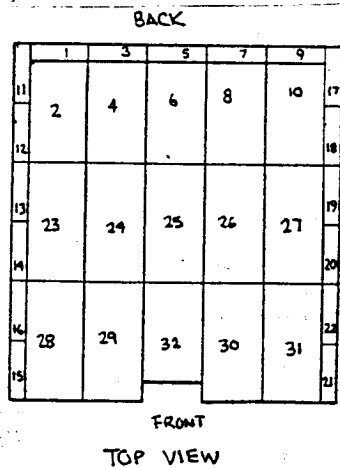


Model FL Insert uses full firebrick except for brick number 23, which is  $7\frac{1}{2}'' \times 4\frac{1}{2}''$ .  
Note: When installing floor bricks, lift the upright back wall bricks and slide the floor bricks underneath. In this way, the back wall bricks will sit upon the floor bricks.

17 & 13 are  $9'' \times 3\frac{1}{2}''$

### Model LX

Please follow the diagram provided for the firebrick installation:



Model LX Insert uses full firebrick except for brick number 32, which is  $7\frac{1}{2}'' \times 4\frac{1}{2}''$ .  
Note: When installing floor bricks, lift the upright back wall bricks and slide the floor bricks underneath. In this way, the back wall bricks will sit upon the floor bricks.

15 & 21 are  $9'' \times 3\frac{1}{2}''$

## REFRACTORY BAFFLE INSTALLATION

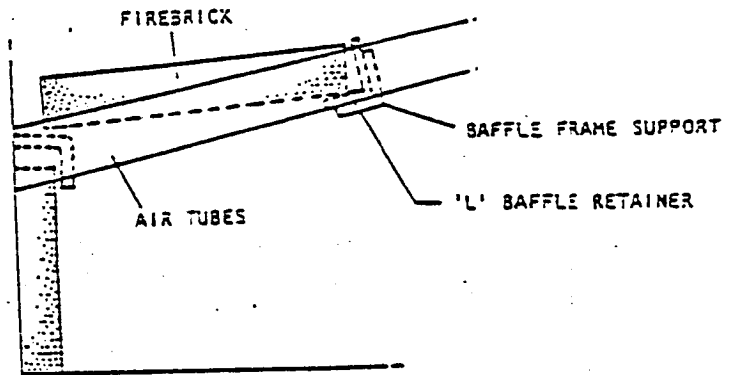
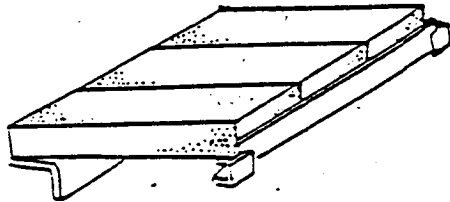
The refractory baffle is designed to retain heat and ignite unburned volatile gases that would otherwise escape up the flue. This results in high efficiency, low particulate emissions and greater heat transfer.

To install the baffle, find the box labeled "Brick Baffle". Enclosed, you will find several full and half bricks. Together, these will comprise the refractory baffle.

### X Refractory Baffle

Locate the 'L' shaped angle iron, (see diagram), and position the angle iron onto the clips welded to the sides of the stove. (See diagram)

Remove firebrick from baffle box and position them between the air tubes. (See diagram)



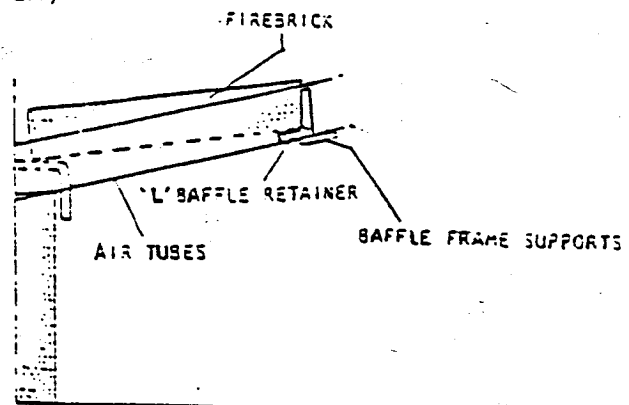
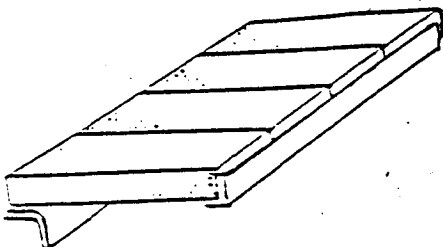
### FL Refractory Baffle

Locate the 'T' shaped angle iron (see diagram) and position the angle iron onto the clips welded to the sides of the stove. (See diagram)

Remove firebrick from baffle box and position them between the air tubes. (See diagram).

Next, locate the 'L' shaped angle iron and position on the forward clips of the air tube. (See diagram).

Position 2 full firebricks horizontally between the 'L' shaped angle iron and the 'T' shaped angle iron. Place your hand at the front of the angle iron and push towards the back of the stove until movement is restricted to ensure proper baffle placement. (See diagram)





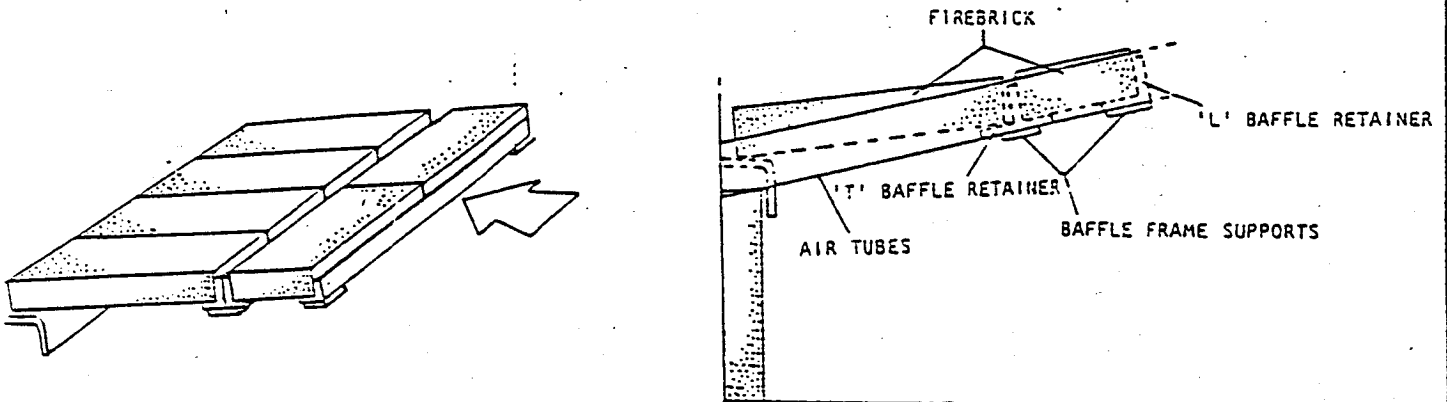
## LX Refractory Baffle

Locate the 'T' shaped angle iron (see diagram) and position the angle iron onto the clips welded to the sides of the stove. (See diagram)

Remove firebrick from baffle box and position them between the air tubes. (See diagram).

Next, locate the 'L' shaped angle iron and position on the forward clips of the air tube. (See diagram).

Position 2 full firebricks horizontally between the 'L' shaped angle iron and the 'T' shaped angle iron. Place your hand at the front of the angle iron and push towards the back of the stove until movement is restricted to ensure proper baffle placement. (See diagram)



## GLASS INSTALLATION

### 1. Glass Gasketing (read all instructions before starting):

- From glass kit box, remove the glass and glass gasketing material.
- The gasketing is provided to ensure a proper airtight seal between the glass and the cast doors.
- To attach the gasketing material, simply remove the paper backing, center, and wrap around the edge of the glass. (Figure 1)
- When applying gasketing material, always start on the outside lower corner (Figure 2). This will ensure that the frayed ends will start and end in an area that will not be visible when the doors are installed.
- Trim off any excess material.

Figure #1

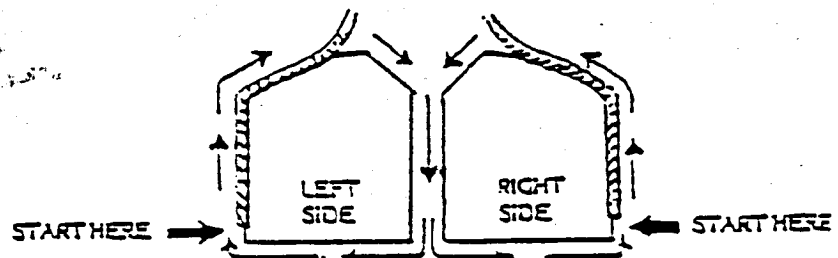
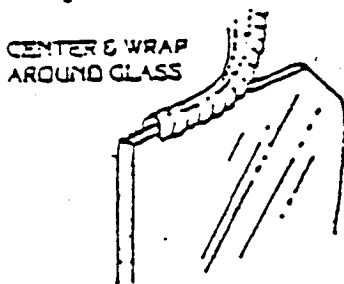


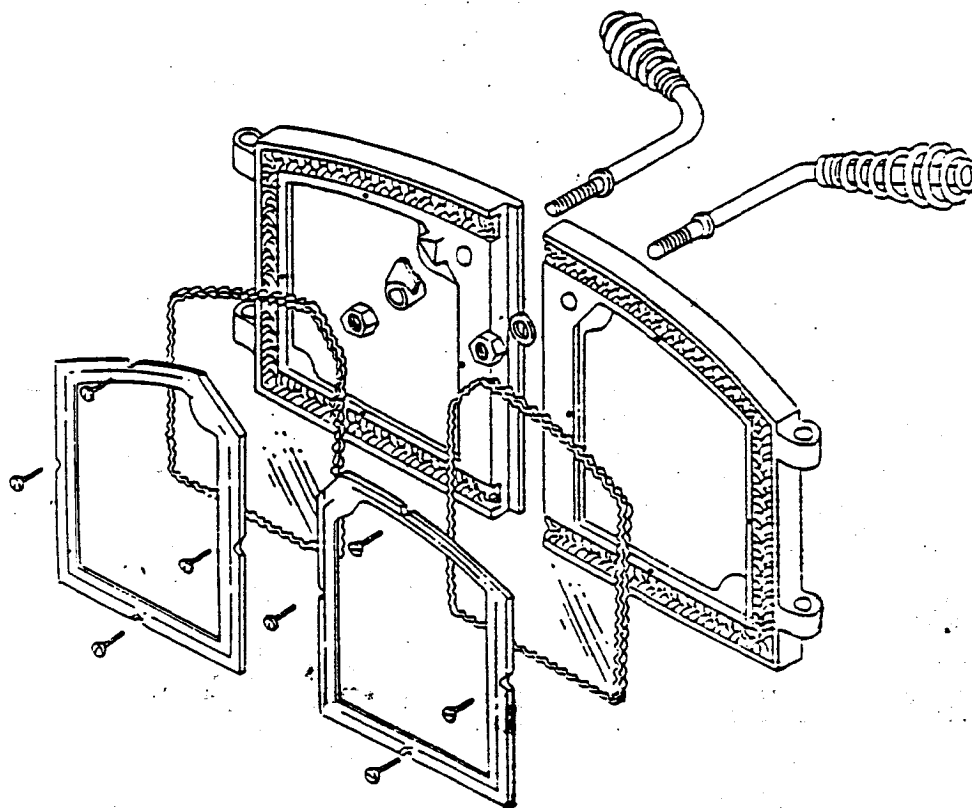
Figure #2

NOTE: HANDLE DOORS AND GLASS GENTLY, NEVER SLAM OR ABUSE DOORS. REPLACE ALL BROKEN OR CRACKED GLASS.

2. Glass Assembly In Doors:

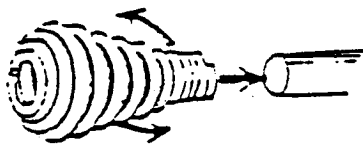
- A. Remove doors from stove and position face down on a table or counter top. (For solid brass and to protect work surface, please place doors down on a soft cloth or towel.)
- B. Center gasketed glass into door frames. (If etched, place etched surface face down so that the etching will face toward the outside when installed.) Remove glass retainers and hardware from stove. (Eight self-threading screws)
- D. Place the cast glass retainer over the glass and align notches with drilled holes on cast door. Secure retainer with 4 screws each.
- E. Tighten screws down in an even manner to ensure equal distribution of pressure on the glass. Failure to do so could result in glass breakage.
- F. Secure screws until frame and glass are snug and will not move.
- G. If glass is broken during operation - replace immediately. Use only LOPI glass from your local dealer. Do not use a substitute.

DOOR AND GLASS ASSEMBLY ILLUSTRATION



## SPRING HANDLES

Finish installation by installing doors and applying spring handles to doors. To install the handles, simply push the spring handle down over the metal post while at the same time turning counterclockwise. This will allow the spring handle to open enough to allow for each placement over the metal post.



## ASH FENDER

The freestanding stove comes with a cast (or optional brass plate) ash fender to collect any ash spillage that may occur when cleaning the unit.

To install this piece, locate the ash fender box that comes with the unit. Within the box, find the ash fender, two - 5/16ths inch (.79 cm) bolts and washers. Attach by aligning the screws through the face of the unit. Align ash fender and secure with a 1/2 inch (1.27 cm) wrench. Please make sure that the ash fender is straight and level.

## BLOWER ASSEMBLY:

To install the Optional 220 CFM blower, first remove the front side bricks from within the firebox. Next unbolt the ash fender from the front of the unit.

Turning the ash fender upside-down, note the 8 screw holes. This is where the blower will be attached.

Remove the blower from the box and locate 8 screws and washers. Position the blower over the ash fender so the screw holes line up on both the blower and the ash fender.

Secure the blower to the ash fender with a screwdriver.

Finally, plug blower in to make sure that it functions properly. To test, turn the control knob located on the front completely counterclockwise. This is the "Off" position. To operate, turn the knob clockwise until the control knob clicks. This will activate the blower, and is also the blower's highest operating mode.

To adjust the speed, simply continue turning clockwise to the desired setting.

Once the blower has been checked out, replace blower/ash fender combination and re-install the brick.

**PLEASE NOTE: DO NOT OPERATE BLOWER WHEN STOVE IS NOT IN OPERATION.  
ROUTE THE POWER SUPPLY CORD AWAY FROM THE INSERT**

## MANTLE HEAT DEFLECTOR

Reduced clearances can be achieved with the introduction of a mantle shield. This shield attaches to either the combustible top facing or the mantle itself, depending which occurs first.

To construct this mantle shield, use 12 gauge steel 9" x 29" supported by 4 - 1" ceramic or non-combustible spacer supports - attach this plate to either the combustible top facing or the mantle with woodscrews

### OPERATION:

**WARNING:** To build a fire in ignorance, or disregard the information provided in this section can cause serious, permanent damage to the unit and void your warranty.

Your LOPI is equipped with an automatic start-up which allows your stove to reach optimum operating temperatures rapidly. This device has been tuned to allow the stove to reach these temperatures quickly under a wide variety of operating conditions such as altitude, restricted drafts, and unseasoned wood.

When your installation has been completed and inspected, you are ready to build your first fire.

### SEASONING THE PAINT

For the first few days the stove will give off an odor and a small amount of smoke. This is to be expected as the high temperature paint becomes seasoned to the metal. Do not burn the stove at a very high temperature the first few days to allow the seasoning to take place; high temperatures may damage the paint.

Initially, burn two or three small, intense fires by opening the draft. Start the fire with newspapers and kindling. Fuel size should not exceed 2 inches ( ) in diameter. Secure the firebox door and wait for an updraft to establish the fire.

This will create a fire of two to three hours duration. To ensure that the gasketing doesn't stick to the unit, take care to open the doors slowly and frequently during this time. This will ensure that the gasketing doesn't stick, and that the paint is seasoned properly.

### FIRST FIRE

1. Set the draft control fully open by pulling the top spring handle out completely to the front of the stove. Push the bi-metallic override (bottom handle) in all the way.
2. Open loading doors and build a small fire by using paper and dry kindling. Secure doors on the firebox and wait for an updraft to establish the fire. Continue to add kindling until a firm layer of hot coals is established on the firebrick floor.
3. Place two or three thoroughly dried logs on the hot coals and reseal the doors.

4. After about 35-40 minutes the wood should begin to burn intensely. After about one hour the stove should reach optimum burning conditions. At this time, the automatic start-up will shut off and you will have manual control of the fire. Before adjusting the draft control, set and secure the manual override, located under the draft control. At this point, the stove can be dampered down by depressing the upper spring handle to the desired burning setting.
5. After the first few fires, keep the combustion rate at a MODERATE LEVEL. Avoid burning fires with the draft control open for long periods of time; this will result in a very hot fire with most of the heat escaping up the chimney.

**WARNING:** NEVER BUILD A ROARING FIRE IN A COLD STOVE. ALWAYS WARM YOUR STOVE UP SLOWLY AND TO A MODERATE LEVEL.

**WARNING:** NEVER OPEN LOADING DOORS OF A BURNING STOVE WHEN THE COMBUSTION AIR INLETS HAVE BEEN CLOSED. DOING SO COULD RESULT IN A SUDDEN FLASH OF FLAME AS THE FIRE RE-IGNITES. ALWAYS OPEN DRAFT CONTROLS BEFORE OPENING LOADING DOORS.

**NOTE:** Many newer homes are built air tight to conserve energy. In these cases, fresh air from the outside must be provided in the form of a combustion air inlet to the home. If your home falls into this category, be sure that the combustion air inlet is open whenever the stove is in operation.

#### DAILY USE

Kindle the fire in the same fashion as was done for the "First Fire". Be sure the automatic override is open by pushing it in. When the wood is burning well (30 to 40 minutes) adjust the draft control to lessen the air intake to maintain a slow, efficient burn.

The bi-metallic override is provided only as a manual means to control the start-up air. You should always maintain the start-up override in the open position. This control should only be used to quickly eliminate the start-up air within the unit. Your bi-metallic start-up air will automatically close off once the stove has reached optimum operating conditions.

Each time the stove is refueled, allow the fire to burn hot for about 20 minutes, with the draft control wide open. This allows the excess wood moisture to evaporate and get the wood burning efficiently. Once the wood is burning, adjust the draft control and damper to your desired setting.

For an overnight burn, close off your bi-metallic override. This will prevent it from opening during the night. Adjust your draft control to about the 3/4 closed positions. This will maintain an overnight burn for a well established fire.

You may experience some sooting of the glass when the stove is dampered down for an overnight burn.

#### SAFETY PRECAUTIONS IN OPERATION

1. Use only dry seasoned wood (dried at least one year). DO NOT BURN COAL IN THIS UNIT.

2. Never use gasoline-type lantern fuel, engine oil, kerosene, naphtha, charcoal lighter or similar liquids to start or "freshen up" a fire. Keep all such liquids well away from the stove while in use. Do not use chemicals to start a fire.
3. Do not use the stove for any other purpose but for heating. Do not burn garbage in it.
4. Do not load fuel in unit when fire is burning strongly.
5. Do not allow stove to get into an "overfire condition"; that is, to build a fire larger and hotter than necessary.
6. Do not burn large quantities of paper, combustible material, or garbage that could create an extremely hot, quick fire.
7. Keep all household combustibles at least 3 feet from stove. This includes all fuel for your stove.
8. Do not use grates, iron or other methods of supporting or elevating fuel in your unit. Build the fires directly upon the brick hearth.
  
9. Educate children in safety methods to be used when near the unit.
10. Keep doors closed at all times except for when loading fuel.
11. Avoid building the fire too close to the glass.
12. Maintain all seals in good condition.
13. Do not modify your air controls in any manner which would increase combustion of unit.
14. Do not burn coal in this unit!

NOTE: Do not overload the stove with fuel. Be careful not to dislodge the baffle when loading with wood.

#### MAINTENANCE

It is very important to carefully maintain your stove. burn only seasoned wood and maintain a clean stove and chimney system. Have the chimney cleaned before the burning season and as necessary during the burning season as creosote deposits may build up rapidly.

#### CREOSOTE

When wood is burned slowly, it produces tar and other organic vapors. These combine with moisture to form creosote. Creosote vapors condense in the relatively cool chimney flue of a slow-burning fire. As a result, creosote residue accumulates on the flue lining. When ignited, this creosote makes an extremely hot fire. The chimney connector and chimney should be inspected at least once every 2 months during the heating season to determine if a creosote build up has accumulated. If this is the case, the creosote should be removed to reduce the risk of a chimney fire.

WARNING: Things to remember in case of chimney fire:

1. CLOSE ALL DRAFT AND DAMPER CONTROLS.
2. CALL THE FIRE DEPARTMENT.

## WAYS TO PREVENT AND KEEP UNIT FREE OF CREOSOTE:

1. Burn stove with draft and damper controls wide open for about 45 minutes every morning during the burning season. This will burn out creosote deposits within the heating system.
2. Burn the stove with draft and damper controls wide open for about 10-15 minutes every time you apply fresh wood. This allows wood to achieve the charcoal stage faster and burns wood vapors which might otherwise be deposited within the system.
3. **BURN ONLY SEASONED WOOD;** Avoid burning wet or green wood. Seasoned wood has been dried at least one year.
4. A small fire is preferable to a large smoldering one that can deposit creosote within the system.
5. Never completely close draft controls while the unit is in operation. Closing the draft while burning will allow unburned gas vapors to escape and be deposited within the chimney.
6. Establish a routine for using your new stove. Check daily for creosote build-up until experience shows how often you need to clean it to be safe. Be aware that the hotter the fire, the less creosote is deposited, weekly cleaning of the unit may be enough in the colder months. Contact your local municipal or provincial fire authority for information on how to handle a chimney fire. Have a clearly understood plan to handle such a fire.
7. Have a chimney system and unit cleaned by a competent chimney sweep twice a year during your first burning season, and at least once a year thereafter.

## ASH DISPOSAL

LOPI stoves feature a convenient ash lip for easy removal of ash. During constant use, ashes should be removed every few days, or when they have built up to the loading door.\* Only remove ash when the fire has died down, as in the morning. Even then, expect to find a few hot embers.

Ashes should be placed in a metal container with a tight fitting lid. The closed container of ashes should be placed on a non-combustible floor or on the ground, well away from all combustible materials, pending final disposal. If the ashes are disposed of by burial in soil or otherwise locally dispensed, they should be retained in the closed container until all cinders have thoroughly cooled. Other waste should not be placed in the ash container.

\*Please take care to prevent the build up of ash around the start-up air exit located inside the stove under the loading door lip.

## WOOD

Use only dry seasoned wood. Green wood, besides burning at only 60% of the fuel value of dry wood, deposits creosote on the inside of your stove and along the chimney. This can cause an extreme danger of chimney fire. To be called "seasoned", wood must be dried for a year. Regardless of whether the wood is green or seasoned, it should be stored in a well-sheltered, ventilated area to allow proper drying during the year to come.

## BRASS

If your unit is purchased with solid brass doors, be sure to use only brass cleaner approved by LOPI, purchased at your fireplace dealer. **DO NOT UNDER ANY CIRCUMSTANCES CLEAN BRASS WITH AN ABRASIVE.**

## GLASS

Should soot or creosote occur on the glass during operation, clean when the stove is cold with a non-abrasive glass cleaner. Creosote deposits on the glass indicate the wood being used is not completely seasoned (dried) or that the stove is being improperly operated. Remember to fire at a moderate level, because dampering the fire down too much will result in a slow burning, smoldering fire that can deposit creosote throughout the system.

If the glass should break, wait until the stove and glass cool before removing. To replace the glass, simply remove doors and unscrew glass retainer. Replace broken glass with only LOPI's Glass Kit, available at all authorized LOPI® Dealers. The replacement glass is Corning Pyroceram® or Technical Neoceram® (5 mm thick).

## LIMITED WARRANTY

LOPI INTERNATIONAL, LTD. (the Company) warrants this LOPI® woodburning unit against defects in metal components and workmanship as follows:

During the first three (3) years from date of purchase, the Company will replace defective parts at no charge to the original purchaser, and will pay reasonable repair charges associated with replacement of said defective parts; provided, however, the purchaser must obtain prior agreement from the Company as to the extent said repair charges are reasonable. During the fourth (4th) and fifth (5th) years following the date of purchase, the Company will replace defective parts to the purchaser at the current factory costs regularly charged to dealers and will not assume responsibility for labor costs.

### EXCLUSION:

This limited warranty shall not include or extend to: Paint, firebrick, gasketing, glass, nickel and brass trim, or to fans. Further, no warranty is extended to damage caused by or resulting from accident, improper handling or operation, abuse or misuse, improper installation (including failure to comply with local building codes or any modifications or repairs made or attempted.)

THIS LIMITED WARRANTY IS THE ONLY WARRANTY SUPPLIED BY THE COMPANY. ALL OTHER WARRANTIES, WHETHER EXPRESS OR IMPLIED, ARE HEREBY EXPRESSLY DISCLAIMED AND THE PURCHASER'S RECOURSE IS EXPRESSLY LIMITED TO THE WARRANTIES SET FORTH HEREIN.

Serial No. \_\_\_\_\_ Model \_\_\_\_\_

Date Purchased \_\_\_\_ / \_\_\_\_ / \_\_\_\_ Date Installed \_\_\_\_ / \_\_\_\_ / \_\_\_\_

Purchased From \_\_\_\_\_

(Please note serial number before installation! Serial number is located on the back right side of inserts and is inaccessible when installed.)