

# Owner's Manual

## Residential Factory Built Fireplace

---

*Operation • Maintenance • Installation*

---

# TOPAZ



Keep these instructions for future use.

**RSF**  
WOODBURNING FIREPLACES

RSF-IIT\_2010-04

**Dear Customer,**

The TOPAZ incorporates technology with elegance to give you a beautiful view of the fire without compromising on heating efficiency or environmental quality.

We have designed your new TOPAZ to be easy to install, operate and maintain. It is in your best interest to become familiar with it. Study your manual to be sure that the installation is correct, then follow the guidelines for operation and maintenance.

We at RSF Woodburning Fireplaces congratulate you on your choice of the TOPAZ, and are confident that you have purchased a fireplace that is *simply, the best.*

Sincerely,

RSF Woodburning Fireplaces Team

June 2004

---

## TABLE OF CONTENTS

<b>SAFETY FIRST</b>	<b>3</b>	<b>LOCATION</b>	<b>11</b>
Do's AND DONT'S	3	CEILING CLEARANCE	13
CREOSOTE: FORMATION AND REMOVAL	3	OUTSIDE AIR DUCT	13
<b>GENERAL SPECIFICATIONS</b>	<b>4</b>	CHIMNEY	13
THE COMBUSTION CONTROL SYSTEM	4	CHIMNEY INSTALLATION	14
OPTIONS	4	OFFSET CHIMNEY	15
UNIT DIMENSIONS AND CLEARANCES	5	CHASE ENCLOSURE	16
<b>OPERATION</b>	<b>6</b>	MASONRY CHIMNEY	16
AIR CONTROLS	6	FRAMING	17
BURN TIME VS. HEAT OUTPUT	7	HEARTH EXTENSION	18
FUEL	7	BENEATH HEARTH EXTENSION	18
FIRST FIRES	7	MANTEL	18
LIGHTING	7	DOOR INSTALLATION	18
REFUELING	8	LOUVER INSTALLATION	19
TROUBLESHOOTING PROBLEMS	8	EXTRUSION INSTALLATION	19
DOOR HIDEAWAY MECHANISM	8	REFRACTORY BRICK INSTALLATION	20
<b>MAINTENANCE</b>	<b>9</b>	<b>LISTING LABEL</b>	<b>22</b>
GENERAL CLEANING	9	<b>COMPLETE OPTIONS LIST</b>	<b>23</b>
PAINT	9	<b>REPLACEMENT PARTS</b>	<b>24</b>
GLASS CLEANING	9	<b>LIMITED WARRANTY</b>	<b>26</b>
CHIMNEY CLEANING	10		
DISPOSAL OF ASHES	10		
DOOR ADJUSTMENT	10		
GOLD PLATING	11		
<b>INSTALLATION</b>	<b>11</b>		

---

---

## SAFETY FIRST

### DO'S AND DONT'S

If this fireplace is not properly installed, a house fire could result. For your safety, follow the installation directions. Contact your local authority having jurisdiction (such as municipal building department, fire department, fire prevention bureau, etc.) regarding restrictions and installation requirements, and the need to obtain a permit.

To ANYONE using this fireplace: these **DO's** and **DONT's** are for your safety.

1. **DO** read this instruction manual before lighting your first fire.
2. **DO** burn seasoned wood fuel or densified fuel logs.
3. To avoid glass breakage, **DO NOT** slam the fireplace door.
4. **DO NOT** ever use gasoline, gasoline-type lantern fuel, kerosene, charcoal lighter fluid or similar liquids to start or freshen up a fire in this fireplace. Keep all such liquids well away from the fireplace while it is in use.
5. **DO NOT overfire the fireplace. If you are unable to slow down the burning rate of the fire or if the chimney connector behind the top louver glows red, you are overfiring the fireplace.**
6. **DO operate the fireplace with the door either fully closed or fully open with the firescreen.** If the door is left partly open, gas and flame can be drawn out of the fireplace opening, creating both fire and smoke hazards.
7. If you use the fireplace with the door wide open, install a firescreen (FO-FDFST) to prevent logs and sparks from burning your floor. Under no circumstances should the fireplace be used without either the firescreen installed or the door closed.
8. **DO** keep all combustible materials (furniture, firewood, etc.) at least 4' away from the front of the fireplace.
9. **DO NOT** use a fireplace grate or other products not specified for use with this fireplace.
10. If you have the ash pan installed as an option (FO-CAP): always verify that your ash pan and ash pan plug are in place before igniting a fire.



♦ **NOTE:** We strongly recommend that our products be installed and serviced by professionals who are certified by the National Fireplace Institute in the U.S. or by Wood Energy Technology Transfer Inc. in Canada.



### CREOSOTE: FORMATION AND REMOVAL

When wood is burned slowly, it produces tar and other organic vapors which combine with the expelled moisture from the wood to form creosote. The creosote vapors can condense in the relatively cool chimney of a slow burning fire. When ignited, this creosote makes an extremely hot fire. The chimney should be inspected periodically during the heating season to see if a creosote build-up has occurred. If a significant layer of creosote has accumulated (1/4" or more), it should be removed to reduce the risk of chimney fire.

❖ **WARNING: BURN DRY WOOD ONLY. DO NOT BURN: DRIFTWOOD, TREATED WOOD, COAL, GARBAGE, OR PLASTIC.**

Do not use construction scraps (e.g. 2x4 or plywood scraps) as your only supply of fuel as you can overheat and seriously damage the fireplace. Do not use more than one wax fuel log (e.g. Duraflame) at a time and only with a firescreen on the fireplace. Use only firelogs that have been evaluated for fireplace use. In Canada, they should meet the requirements of ULC/ORD-C127-M1990. Refer to the firelog warnings and caution markings prior to use.

---

---

## GENERAL SPECIFICATIONS

The TOPAZ fireplace is environmentally friendly as well as efficient. It is approved by the United States Environmental Agency (EPA) at an emission rate of 4.0 grams per hour.

### THE COMBUSTION CONTROL SYSTEM

Since the door is sealed, all combustion air must come through the TOPAZ's primary air control.

For the first few days, it is best to operate the fireplace with the primary air control fully open (handle pushed to the far right). Just control the fire as you would any normal fireplace, using one or two logs at a time for a smaller fire, or more logs for more heat. Once you become familiar with operating the fireplace with the control open, you can start experimenting with lower settings.

### OPTIONS

There are many different ways you can choose to dress up your TOPAZ fireplace: first with the selection of the basic unit either with the black or pewter extrusions, second with the mandatory options (door and louvers) and third with a variety of regular options.

To help you harmonize your fireplace into your decor, we offer a selection of door styles and colors: Cathedral (FO-TZDC) (in black only), black (FO-TZDB), gold (FO-TZDG) and pewter (FO-TZDP). We also offer a selection of colors for the louvers: black (FO-TZLB), gold (FO-TZLG) and pewter (FO-TZLP).

Since it is possible to raise the unit above the floor, you may decide to install your TOPAZ fireplace without building an elevated (at the level of the base of the unit) hearth extension. We then recommend that you consider adding a decorative hearth extension (FO-FDDHE) that will serve as a small hearth extension and also close the bottom of the unit. It will provide the finishing touch to a raised installation. Using the decorative hearth extension does not eliminate the need for a regular hearth extension on the floor in front of the fireplace.

For increased air circulation and marginally more heat output, you can add the Circulating Internal Blower (FO-FDHB8) to your TOPAZ.

If you have any rooms directly above or adjacent to the room with the fireplace that you would like to heat, you may want to consider the Gravity Vent Kit (FO-V2). The gravity vent distributes hot air to these rooms and requires no blower to assist its operation.

For a simple way to circulate a moderate amount of warm air from the fireplace to another room, we offer the Heat Dump Kit (FO-HD) which uses a smaller fan than the Central Heat Blower. It is most often used to provide supplemental heating to a basement room when the fireplace is on the main floor but it can also be used to send the warm air upstairs.

To remove accumulated ashes from the firebox, simply shovel them in to a metal container but you may find the optional Ash Pan Kit (FO-CAP) very convenient. You remove the plug from the firebox and sweep the ashes into a hole to the ash pan. When the ash pan is full, simply remove the ash pan by the bottom louver and dispose of the ashes properly.

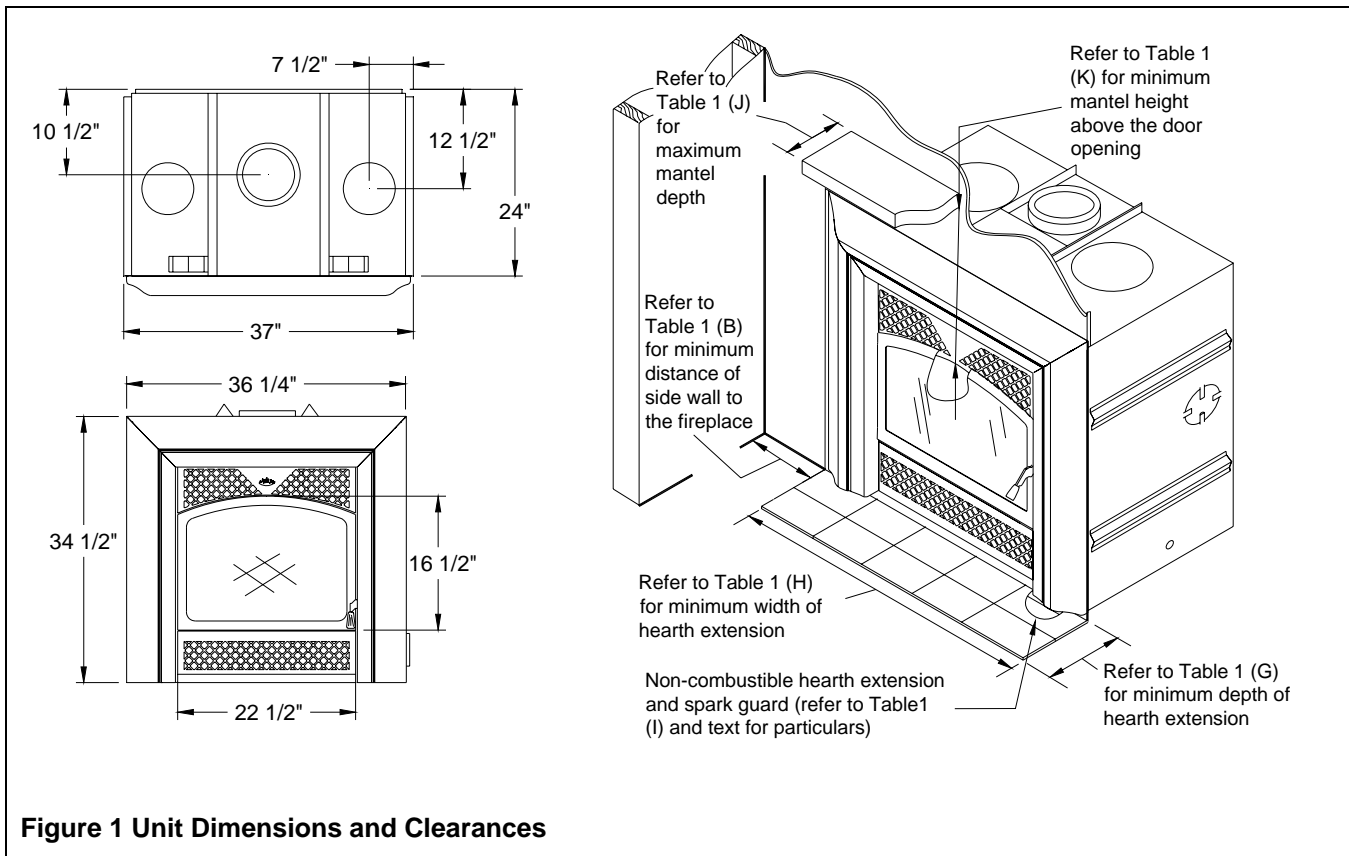
This fireplace has been specially designed to combine high efficiency with the elegance of a wood burning fire. Most often you will take advantage of the high efficiency and the control possible with your new TOPAZ wood burning fireplace. If you would like to enjoy the sight and sound of an open fireplace, or simply have less heat output in a warmer weather you may want to install the optional TOPAZ firescreen (FO-FDFST).

◆ **NOTE:** Many options require wiring and/or electricity for their installation. If there is any chance that any of these options will be installed in the future then suitable wiring should be run during framing. Otherwise, it will be difficult to install these options later. You can refer to page 23 for a list of options that require electricity.

Detailed installation instructions are included in the box with each option. These can also be obtained from our Internet Web Site: [www.icc-rsf.com](http://www.icc-rsf.com).

◆ **WARNING: THIS FIREPLACE HAS NOT BEEN TESTED WITH AN UNVENTED GAS LOG SET. TO REDUCE RISK OF FIRE OR INJURY, DO NOT INSTALL AN UNVENTED GAS LOG SET INTO THIS FIREPLACE. DO NOT INSTALL A GAZ LIGHTER BECAUSE THE HEAT PRODUCED BY THE FIREPLACE WILL PERMENTENTLY DAMAGE THE GAZ LIGHTER**

## UNIT DIMENSIONS AND CLEARANCES



**Figure 1 Unit Dimensions and Clearances**

**Table 1 Unit Dimensions and Clearances**

A	Distance of combustible material from side, back and top standoffs	0" (0,0 mm)
B	Minimum distance of side wall to the side of the fireplace	6" (153 mm)
C	Ceiling clearance: from the base of the fireplace to the ceiling	6' (1,83 m)
D	Minimum chimney height: minimum total chimney height from fireplace top to below the chimney rain cap	12' (3,66 m)
E	Maximum chimney height: maximum total chimney height from fireplace top to below the chimney rain cap	45' (13,72 m)
F	Maximum chimney height supported by the fireplace	18' (5,47 m)
G	Minimum depth of non-combustible hearth extension: from the front of the fireplace	16" (406 mm)
H	Minimum width of non-combustible hearth extension: total width, must be centered on the firebox opening	38 1/2" (978 mm)
I	Minimum width of the spark guard	36" (914 mm)
J	Maximum mantel depth (see Table 2 for other mantel sizes)	12" (305 mm)
K	Minimum height of a combustible mantel above the top of the door opening: from the highest point of the top of the door opening to below the combustible mantel (see Table 2 for other installation heights) (refer to the "Installation: Mantel" section for particulars)	30 1/2" (775 mm)

**Table 2 Various Mantel Depths and Corresponding Installation Heights**

Maximum Mantel Depth	Minimum Installation Height
0" to 6"	15 ½"
8"	20"
10"	25 ½"
12"	30 ½"

No combustible mantel can be installed lower than 15 ½" above the top of the firebox opening. A combustible mantel cannot be wider than 12".

For combustible mantel depths not mentioned in the list above, you can interpolate the minimum installation height between the two closest mantel depths. For example:

- Mantel depth to be installed: 9 ¼"
- It is between 8" and 10" with corresponding installation heights of 20" and 25 ½"
- So:  $((9.25 - 8) / (10-8) \times (25.5-20)) + 20 = 23.4375 = 23 \frac{7}{16}$ "
- Minimum installation height of a 9 ¼" mantel: **23 7/16"** above the firebox opening.

If the combustible mantel has a cross-section with variable depth, it has to be installed so that its widest part is not installed lower than the corresponding minimum installation height while making sure that the lowest point of the mantel is not installed lower the minimum installation height corresponding to it depth.

Refer to the "Installation: Mantel" section for particulars.

## OPERATION

### AIR CONTROLS

All the TOPAZ air controls are located behind the right extrusion (see Figure 2 and Figure 3).

#### Combustion Air Control

Unlike most open fireplaces, RSF fireplaces don't have flue dampers. Instead, the system is sealed by closing the door, and the amount of air entering the firebox is controlled by the combustion air control lever (see Figure 2 and Figure 3) which can be moved left or right. Setting the air control lever all the way open (towards the right) will allow the maximum amount of air into the firebox. Closing the air control (towards the left) will reduce the amount of air entering the firebox.

#### Outside Air Control

The TOPAZ is designed to use outside air for combustion (see Figure 2 and Figure 3).

Pulling chain as much as possible and locking it in place by wedging it through the slot will completely open the outside air damper and allow fresh air into the base of the fireplace. Because outside air is generally colder and denser it will help to start the fire. In some cases this fresh air will also help compensate for negative pressure problems within the house; however it will not prevent the fireplace from smoking in a severely depressurized house.

We recommend always using outside air for combustion but you



**Figure 2 Air Controls Location**

may choose to use room air for combustion instead. To do so, lift the chain out of its slot and let the return spring close the door. Do not totally let go of the chain. If you want to change the setting for the outside air while the fireplace is hot, make sure to use the extrusion handle (at the bottom of the extrusion) to open the extrusion. This control should be closed when the fireplace isn't burning to prevent cold air infiltration.

### **BURN TIME VS. HEAT OUTPUT**

The faster your fireplace burns the more heat it will create; however, faster fires result in much more hot air flow up the chimney which means you are sacrificing efficiency. Fast burning fires (lots of air) go through much more wood than slow burning fires. To get the most out of your TOPAZ fireplace, adequately adjust the combustion air control lever at the appropriate time. If the fire seems to be burning too quickly, turn the air down. If the fire is smoldering and there are no visible flames, turn the air up. This way you'll always be getting the most out of your fuel.

### **FUEL**

All modern high efficiency fireplaces and woodstoves are designed to burn best with seasoned cordwood. Seasoned wood can be defined as wood that has been cut, split and let dry under cover for a minimum of 6 months, preferably a year or more. Dry seasoned wood generally contains less than 20% moisture content. Attempting to burn fuel with a high moisture content will be difficult and result in lower efficiency, increased creosote buildup and dark deposits on the glass. It's possible to burn a very large amount of wood, and get very little heat if the wood is wet.

The type of wood you select is also important. All types of wood give off more or less the same number of BTU's per pound. Since softer woods are less dense than hardwoods it is possible to put more weight of hardwood in the firebox; in other words all woodburning appliances will burn longer and more evenly with hardwoods. Never burn scrap, garbage, treated wood or driftwood as they produce much more pollution and can corrode the firebox and chimney as well. Burning large amounts of paper, cardboard, mill ends or construction waste can easily over fire and damage the fireplace or even ignite a chimney fire if the flue is dirty.

### **FIRST FIRES**

You will experience a slow start-up during the first few fires. The refractory bricks lining the firebox contain moisture from manufacturing and require a few hot fires to evaporate the moisture. While there is still moisture in the bricks, they will be black with smoke deposits. When the moisture has dissipated, the bricks will turn white. Unlike cast iron stoves, there is no need to cure the fireplace itself by starting with small fires and progressively larger ones. Feel free to light a large fire from the very start.

You will experience a slight odor during the first few fires. This odor comes from curing paint and oil burning off the metal. The odor may be strong enough to set off your smoke detector. Open the doors and windows to allow the room to properly ventilate.

**Before the first fire, be absolutely sure to use regular dish soap and water to wipe off all fingerprints and debris from the gold plating if you have chosen this option. The plating cures during this first fire, the acid from your finger prints will permanently etch the gold plating.**

### **LIGHTING**

Ensure that the combustion air control lever is all the way in the open position. You will want as much air as possible for the lighting process.

Start by laying your fire starter and kindling. Traditional fire starter is crumpled newspaper; make sure to use enough to light the kindling (5-6 pieces should do). Next lay the kindling crisscrossed over the newspaper. Using plenty of kindling ensures that the chimney will heat up quickly and establish a strong draft, **never use any flammable liquids**. Light the paper and close the door most of the way, but don't shut it completely. If the door is positioned correctly you will see air rushing into the fireplace, this will help the lighting process.



**Figure 3 Control Panel**

Once the kindling is lit and sustaining fire, you can add some small pieces of seasoned cordwood. Use the andirons in front to help position the cordwood so as not to flatten and smother the fire you've just created. Always add at least 3 pieces of cordwood. Position your cordwood in a manner that the fire will hit several pieces as it rises and has air gaps to flow through. Continue to leave the door slightly open until the cordwood is lit. Close the door completely when the fire is established, if the fire goes out you've shut the door too early.

To get maximum efficiency out of your fireplace you will want to adjust the amount of air entering the firebox at the appropriate times. Gauge how much to close the combustion air by how the fire reacts once the combustion air control lever has been moved. If the fire goes out and begins to smolder, there's too little combustion air entering the firebox. If there's no change to the burn pattern, you can continue to close the combustion air further. Eventually you should be able to close the combustion air all or most of the way. There should always be visible fire inside the firebox at every step of the process.

❖ **WARNING: DO NOT USE A GRATE OR ELEVATE THE FIRE.**

### **REFUELING**

The door should be opened slowly to keep smoke from spilling into your room. If you have a problem with smoke spillage, check to see that all kitchen and bathroom fans have been shut off. They can cause negative pressure in the house which pulls smoke out of the fireplace.

◆ **NOTE:** The internal blower or inline fan, if installed, should be shut off during refuelling to prevent smoke from spilling out of the fireplace.

### **TROUBLESHOOTING PROBLEMS**

If smoke comes into the house when the door is opened:

- You may have opened the door too quickly and created a suction of air into the room, this can be avoided by opening the door more slowly.
- Ensure your chimney is clean and your chimney cap is not plugged. Chimney caps with screens are more likely to become clogged with creosote buildup.
- Make sure you have adequate chimney height for your system. Refer to the Chimney section of this booklet and make sure to take altitude, and number of elbows into consideration.
- If you have purchased the central heat kit option or the circulating internal blower, make sure the blower is off before opening the door.
- Check to see if other fans in the home are running, particularly a kitchen range hood, or bathroom exhaust fan. This can affect the pressure in the home.
- Try opening a window near the fireplace a little, this will equalize the pressure in the home and should correct a draft problem. Once proper draft is established the window can be closed.
- Make sure you've used enough kindling to establish a hot fire quickly. The most likely time that smoke will enter the home is during the lighting process.

### **DOOR HIDEAWAY MECHANISM**

The TOPAZ fireplace is equipped with a door hideaway mechanism which enables you to hide the door behind the left extrusion when you need to service the firebox or when you wish to put the firescreen on. The mechanism is quite sophisticated but fairly easy to operate once the basics are understood. Please refer to Figure 4 while reading the following instructions.

Start by opening the left extrusion, using the handle at the bottom of the extrusion. As shown in Figure 4, there is a latch at the top that locks the door hinge against the left side of the firebox so as to provide an adequate position of the door for regular door operation. Unlocking this latch, enables the door to rotate around a special hinge to move the door away from the left side of the firebox. To lock the latch, make sure the door hinge is flat against the left side of the firebox. We recommend that the door be closed and then the latch locked on the hinge. The latch operation requires some force but if excessive force seems necessary, then something is not working properly.



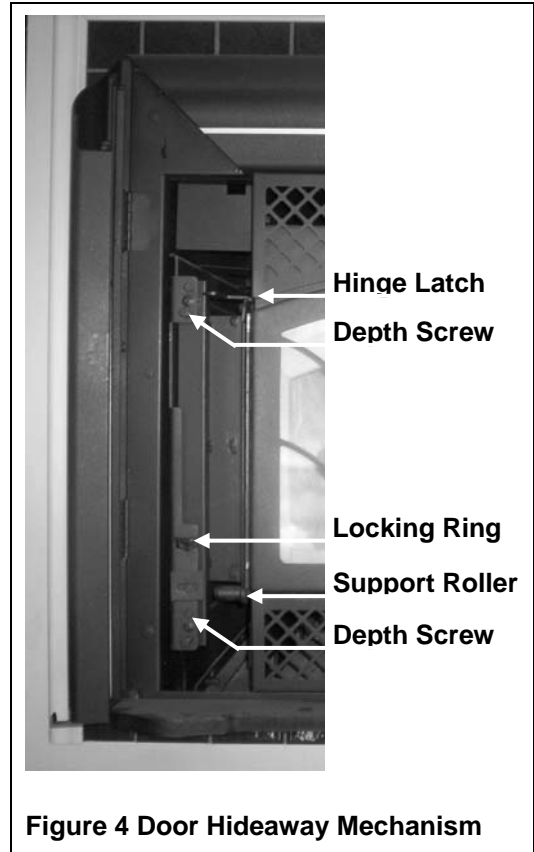
At half height, there is a locking ring. This locking ring prevents the door support from rolling inside during normal door operation. To unlock it, simply turn it counter-clockwise until horizontal. To lock it, simply pull the door mechanism completely out and turn the lock ring clockwise until vertical. If the locking ring is too tight or too loose to lock, please refer to the Door Adjustment paragraph in the Maintenance section of the current instructions.

In summary:

**To hide the door:** open the left extrusion using the handle at the bottom of the extrusion and unlock the locking ring. Then open the door and unlock the latch. The mechanism is now free to roll inside, simply push the door toward the back of the fireplace. Move the door handle all the way up, push the door as far left as it will go and close the extrusion.

**To unhide the door:** open the left extrusion using the handle at the bottom of the extrusion and pull the door out using the wood handle. Lock the locking ring and then close the door. Lock the latch on the door hinge and close the extrusion.

**We recommend that you hide or unhide the door when the fireplace is cold. If you do operate the hideaway mechanism while the fireplace is hot, make sure to wear gloves and to be very careful, while sliding the door, to minimize the risk of injuries or burns.**



**Figure 4 Door Hideaway Mechanism**

## **MAINTENANCE**

### **GENERAL CLEANING**

The high heat paint and plating can be cleaned with a soft damp cloth. Use a mild detergent and water. Do not use abrasive cleaners.

### **PAINT**

You can touch up the face of the TOPAZ with *Stove Bright* Metallic Black high temperature paint which is available at most fireplaces dealers. Follow the directions outlined on the spray can. **DO NOT** attempt to paint the fireplace while it is still warm. Keep the spray can away from any source of heat or open flame. Ensure that there is adequate ventilation in the room from the time you start painting until the paint is dry. *Stove Bright* is available in a wide range of colors if you want to change the color of your TOPAZ.

We recommend that you take the time to protect or remove any item that you do not want to paint such as: the door glass, the plated door, the fireplace surroundings, etc. The glass can be removed from the door but you will have to replace the window gasket.

### **GLASS CLEANING**

In a controlled combustion firebox, temperatures are not always high enough to keep the glass perfectly clean. A good hot fire once a day usually cleans off most of the deposits that have accumulated. Remember: the drier the wood and the hotter the fire, the cleaner the glass. A word of caution: although heat will not break the glass, impact can. Be careful not to hit the glass.

**❖ WARNING: NEVER CLEAN THE GLASS WITH AN ABRASIVE CLEANER. USE ONLY A CLEANER RECOMMENDED BY YOUR DEALER. NEVER CLEAN THE GLASS WHILE IT IS HOT, A SERIOUS BURN CAN RESULT. THERE ARE A NUMBER OF EXCELLENT WOOD STOVE GLASS CLEANERS AVAILABLE WHICH ARE FAR SUPERIOR TO REGULAR GLASS AND OVEN CLEANERS FOR WOOD STOVE APPLICATIONS.**

## **CHIMNEY CLEANING**

Check the chimney for creosote buildup every week or so until experience shows how often you need to clean it. A buildup of ¼" or more should be cleaned before more creosote accumulates. Use an 7" round brush. The baffle in the firebox can be removed to gain access to the flue from below.

Follow the directions in the Refractory Brick Installation section to remove and replace the baffle. If you prefer, you can simply lift the baffle and move it forward and let the debris fall in the firebox. Do not forget to push the baffle back in its place after cleaning the chimney. This second option is much easier than removing the baffle.

## **DISPOSAL OF ASHES**

Remove the ashes before they become too deep, i.e., before you have a spillage problem when you open the door.

The ashes should be placed in a metal container with a tight-fitting lid. The closed container of ashes should be placed on a non-combustible floor or on the ground, well away from all combustible materials pending final disposal. If the ashes are disposed of by burial, or otherwise locally dispersed, they should be retained in the closed container until all cinders have thoroughly cooled.

## **DOOR ADJUSTMENT**

The door hideaway mechanism can be adjusted for proper sealing of the door. The latch pin can also be adjusted to provide a positive seal without too much effort at closing.

To check for a proper door seal, insert a thin sheet of paper between the door and the front of the fireplace and latch the door. Pull gently but firmly on the sheet of paper. If the paper either tears or is hard to retrieve, the adjustment is correct. Repeat this procedure along all sides of the door.

The most important factor for controlling the burning rate of the TOPAZ is a good seal on the door gasket. If the door gasket is worn or damaged to the point where the seal is not adequate as described above, then remove and replace the gasket. Replacement kits are available from your RSF dealer.

To insure a proper seal, you need to adjust the tightness of the door against the front of the fireplace as follows:

1. With the door properly closed, unlock the locking ring by turning it counter-clockwise until it is horizontal (see Figure 4).
2. Loosen the locking nut of the 2 depth screws.
3. Tighten each of the depth screws until the door is tight against the firebox.
4. Tighten the locking nut of each of the depth screw.
5. Verify the seal with the sheet of paper as described above.
6. If required, the right side of the door can be tightened/loosened by adjusting the eccentric screw that latches the door: just loosen the nut on the inside of the firebox, turn the eccentric screw on the outside of the firebox so as to tighten/loosen the door latch and retighten the nut.
7. Once the door is adjusted for a proper seal, turn the locking ring clockwise until you can feel a moderate amount of tension when it is in the vertical position. There is no need to over-tighten it.
8. Now hide and unhide the door while looking carefully at the door. If you find that the door binds up excessively when you are sliding the door in and out, you need to adjust the height of the door support roller. It is located beside the bottom depth screw as shown in Figure 4.

◆ **NOTE:** At least once a year, lubricate the upper sliding rod with a small quantity of the high temperature grease provided with the fireplace (regular grease will not withstand the heat in the fireplace). Slide the door in and out a few times to distribute the grease along the rod.

◆ **NOTE:** An improperly adjusted door seal can have a significant effect on the performance and durability of the fireplace. A poorly adjusted door can result in reduced efficiency, over firing, excessive wood consumption and premature fireplace failure.

## **GOLD PLATING**

If you have any of the gold plated options, you will be happy to know that they will not tarnish. However, it is not scratch resistant. Use only mild soap and warm water to clean the gold when the surface is cool. The use of any household cleaner, such as Windex, abrasive cleaners, or any form of acid, may permanently etch or remove some of the gold plating. Before the first fire, make sure to clean all fingerprints and other deposits on the gold plating. Since the plating cures during the first fire, fingerprints and other deposits will permanently etch the gold plating.

---

## **INSTALLATION**

Check with your local authority having jurisdiction (such as municipal building department, fire department, fire prevention bureau, etc.) regarding restrictions and installation requirements, and the need to obtain a permit.

Remove the extrusion assembly (refer to the extrusion installation paragraph in the installation section of the current instructions). Place the extrusion assembly in the plastic bag provided and store it in a safe area to reduce the possibility of scratches, vandalism, or damage to the finish caused by drywall dust, muriatic acid, plaster, cement, paint or any other harmful spray or liquid.

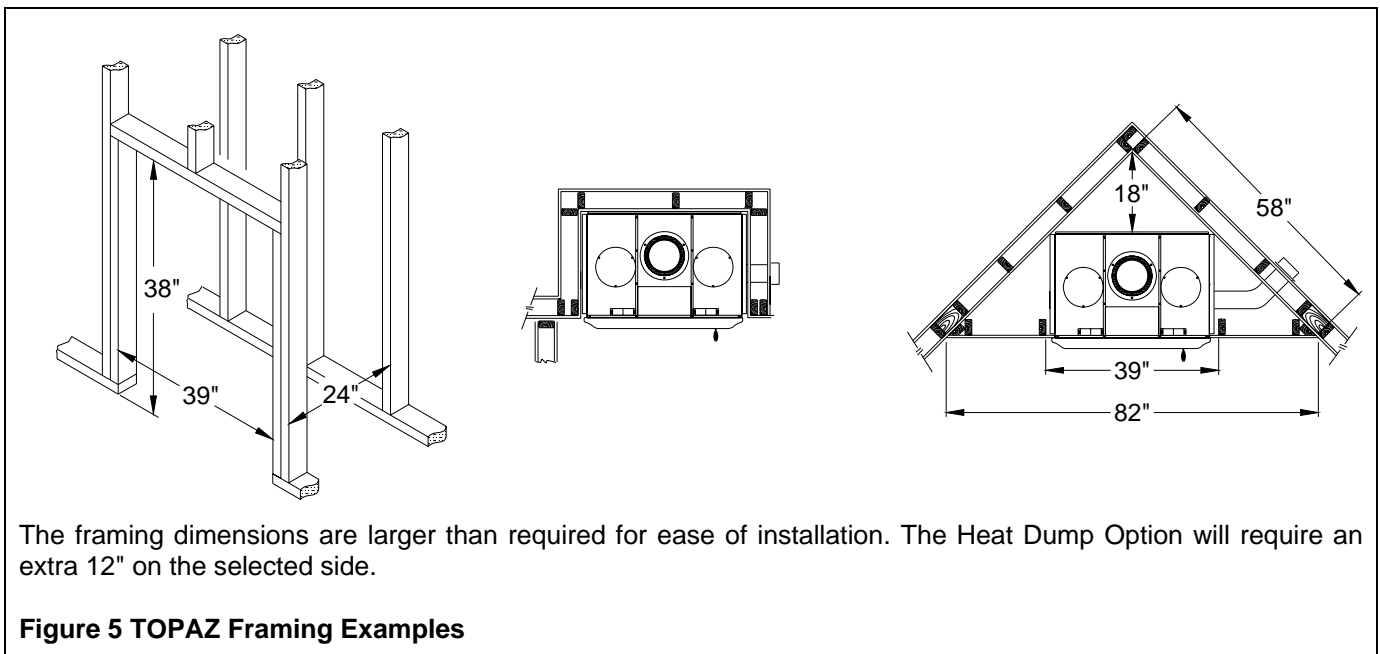
Be aware that heavy duty cleaning products or acid solutions will permanently damage the plating.

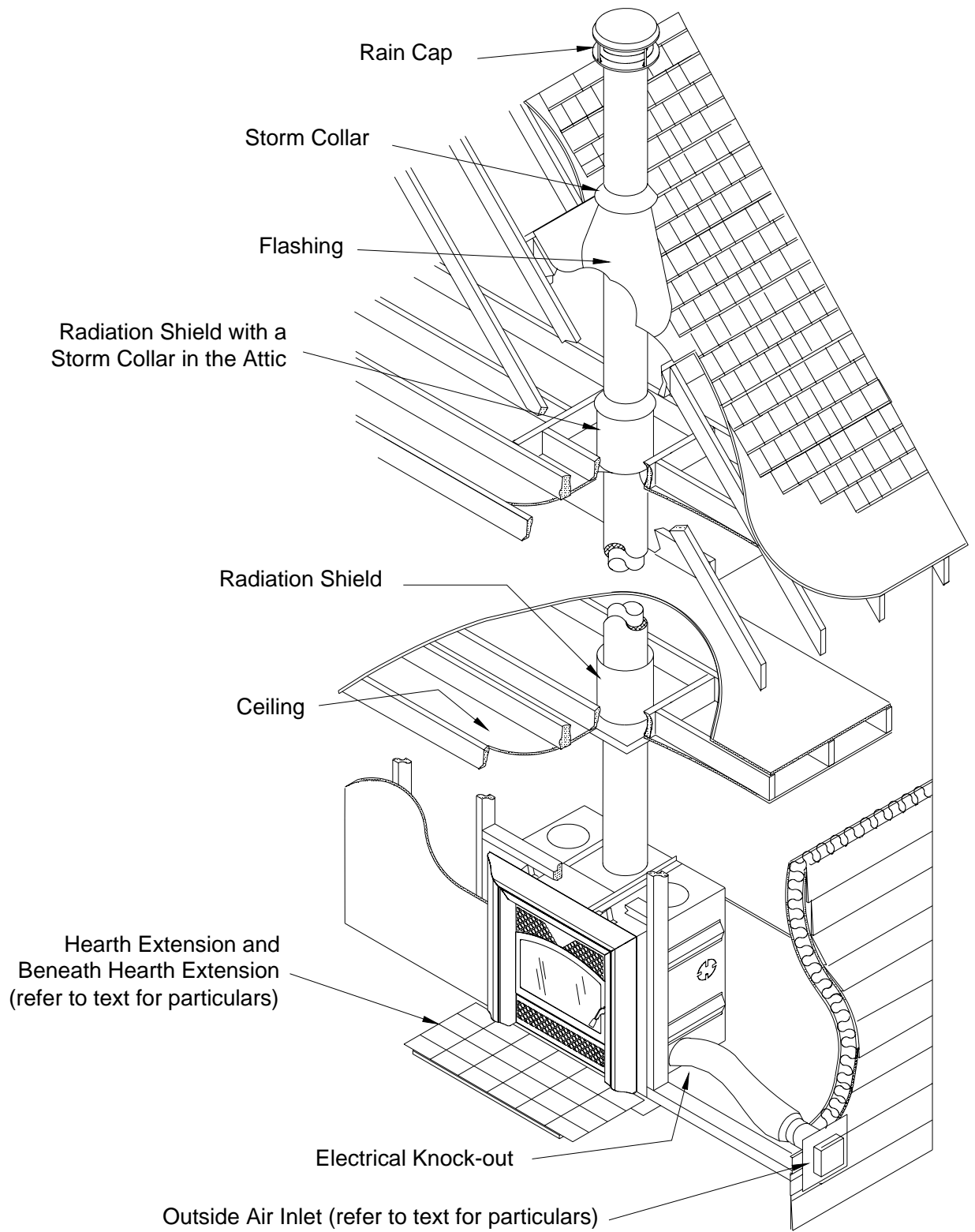
♦ **NOTE:** We recommend that you delay the installation of the door and the louvers until after all finishing work is completed around the fireplace. This will reduce the possibility of scratches, vandalism, or damage to the finish caused by drywall dust, muriatic acid, plaster, cement, paint or any other harmful spray or liquid.

## **LOCATION**

Your TOPAZ fireplace may be installed in many different ways (see Figure 5) without any special floor reinforcement. We recommend that you take the time to plan your entire installation (fireplace, chimney, and options) before beginning the actual installation (refer to Figure 6).

Dimensions of the fireplace along with clearances are shown in Figure 1 and Table 1.





**Figure 6 TOPAZ General Installation**

❖ **WARNING: IF THIS FIREPLACE IS NOT PROPERLY INSTALLED, A HOUSE FIRE CAN RESULT. FOR YOUR SAFETY, FOLLOW THE INSTALLATION INSTRUCTIONS AND CLEARANCES. DO NOT PACK REQUIRED AIR SPACES WITH INSULATION OR OTHER MATERIALS.**

1. Note the location of roof and floor joists. Try to choose a location that does not require cutting them.
2. Do not build shelves or cupboards in the area above the fireplace. This space must be kept empty.
3. If at all possible, run the chimney up through the inside of the house. If it must be run outside, it should be enclosed in an insulated enclosure (see Installation: Chase Enclosure). Remember, a cold chimney causes poor draft.

### **CEILING CLEARANCE**

Ceiling clearance is the distance from the base of the fireplace to the ceiling.

Under no circumstances should the distance between the ceiling firestop and the base fireplace be less than the dimension specified in Table 1 (C).

### **OUTSIDE AIR DUCT**

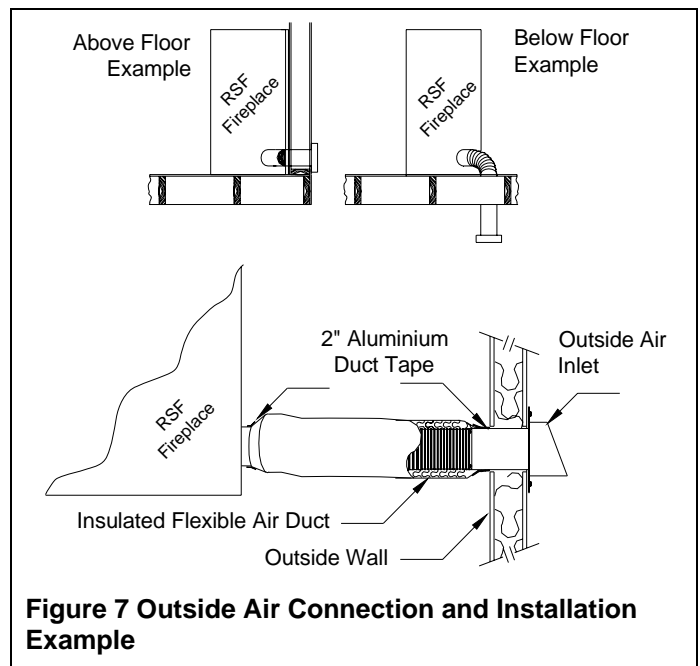
After the fireplace is correctly positioned, connect the outside air inlet to the outside (see Figure 7).

Use an insulated aluminium flexible duct rated at over 200° F. The duct should not exceed 12' vertical rise above the base of the unit.

**The air inlet should never be less than 5' below the top of the chimney flue and must never terminate in attic spaces.**

A 4" diameter duct can be used if the total duct run is less than 25'. For longer runs, use 5" diameter duct. Both 4" and 5" connecting sleeves are provided with the fireplace.

1. Find a convenient location for the combustion air duct and outside air inlet. The outside air inlet can be above or below floor level.
2. Make a 4 ¼" (5 ¼" if using a 5" diameter duct) hole in the outside wall of the house. Push the outside air inlet in from the outside. Seal the joint between the air inlet and the outside wall with an appropriate sealant.
3. Place the insulated flexible duct over the round sleeve on the outside air inlet. At both ends, carefully pull back the insulation and plastic cover, exposing the flexible duct. Then at each end, attach the duct with metal screws to the air inlet and to the fireplace connecting sleeve. Carefully push the insulation and cover back over the duct. Tape the plastic cover in place with 2" aluminium duct tape.



❖ **CAUTION: WHEN RUNNING THE DUCT AROUND CORNERS, BE SURE TO PREVENT CRIMPING THE DUCT THAT WOULD RESTRICT THE COMBUSTION AIRFLOW.**

### **CHIMNEY**

This fireplace is certified for use with 7" ICC Model EXCEL chimney only. Please refer to Table 1 (D-E) for the minimum and maximum chimney heights permitted with the TOPAZ fireplace.

We recommend that the minimum height be increased by approximately 1' for every 2000' elevation above sea level. Every 15°, 30° or 45° elbow also increases the minimum height by 1'. For example, if you are living 6000' above sea level, your chimney should terminate at least 15' from the top of the fireplace (12' + 3' for the 6000'). See Table 3 for more precise recommended flue heights.

**Table 3 Minimum Recommended Flue Heights In Feet From The Top Of The Fireplace**

Elevation (ft)	Number Of Elbows						
	0	2 x 15°	4 x 15°	2 x 30°	4 x 30°	2 x 45°	4 x 45°
0 - 1000	12'	13'	14'	15'	18'	16'	20'
1000 - 2000	12'6"	13'6"	14'6"	15'6"	19'	16'6"	20'
2000 - 3000	13'	14'	15'	16'	19'6"	17'	21'6"
3000 - 4000	13'6"	14'6"	15'6"	17'	20'	18'	22'6"
4000 - 5000	14'	15'	16'	17'6"	21'	18'6"	23'
5000 - 6000	14'6"	15'6"	17'	18'	21'6"	19'	24'
6000 - 7000	15'	16'	17'6"	18'6"	22'	20'	24'6"
7000 - 8000	15'6"	16'6"	18'	19'	23'	20'6"	25'6"
8000 - 9000	16'	17'	18'6"	20'	24'	21'	26'6"
9000 - 10000	16'6"	17'6"	19'	20'6"	24'6"	22'	27'

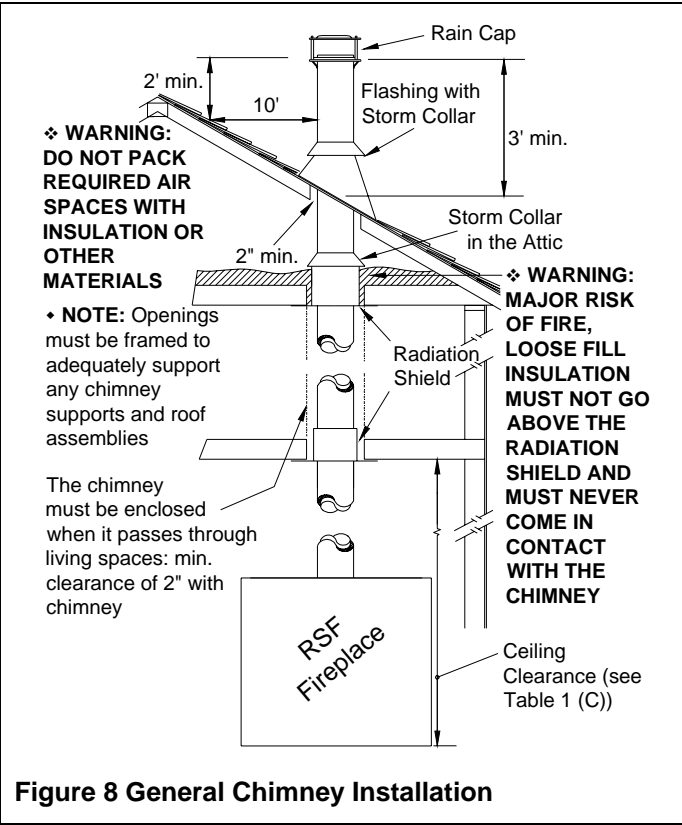
**CHIMNEY INSTALLATION**

Make sure to read the EXCEL Chimney installation manual concerning requirements for supports, bracing, anchors, etc. Refer to Table 1 (F) for the maximum chimney height that can be supported by the top of the fireplace.

**❖ WARNING: THE CLEARANCE BETWEEN THE CHIMNEY AND COMBUSTIBLE MATERIAL MUST BE 2" OR MORE. DO NOT FILL THIS AREA WITH INSULATION.**

1. Cut and frame the required holes in the floor(s), ceiling(s) and roof where the chimney will pass through. The rough opening in the framing is 13" square (the opening can be slightly bigger, up to 13 1/2", but NEVER smaller).
2. From below, install a radiation shield in each floor through which the chimney passes. At the attic level, install a radiation shield and a storm collar as shown in Figure 8.

**❖ WARNING: A RADIATION SHIELD MUST BE INSTALLED AT EACH FLOOR WHERE THE CHIMNEY PASSES THROUGH.**



**Figure 8 General Chimney Installation**

3. Remove the flue adapter from the fireplace, put the screws aside. Install the flue adapter on the first chimney length and secure it with the screws provided. Reinstall the flue adapter on the fireplace and secure it with the screws you have put aside earlier. Assemble the rest of the chimney.

The chimney must extend at least 3' above its point of contact with the roof and at least 2' higher than any wall, roof, or building within 10' of it. If the chimney is higher than 5' above the roof, it must be secured using a roof brace.

4. Put the roof flashing into place. Seal the joint between the roof and the flashing with roofing tar. For sloping roofs, place the flashing under the upper shingles and on top of the lower shingles. Nail the flashing to the roof using roofing nails.

If the chimney is enclosed to the roof:

- In **USA**: use a vented flashing;
- In **Canada**: use a vented flashing, or a roof radiation shield with a regular flashing.

5. Place the storm collar over the chimney and flashing. Seal it around the chimney with silicone sealer (**DO NOT use roofing tar**).
6. Fit the rain cap on the chimney. Secure it tightly in place.

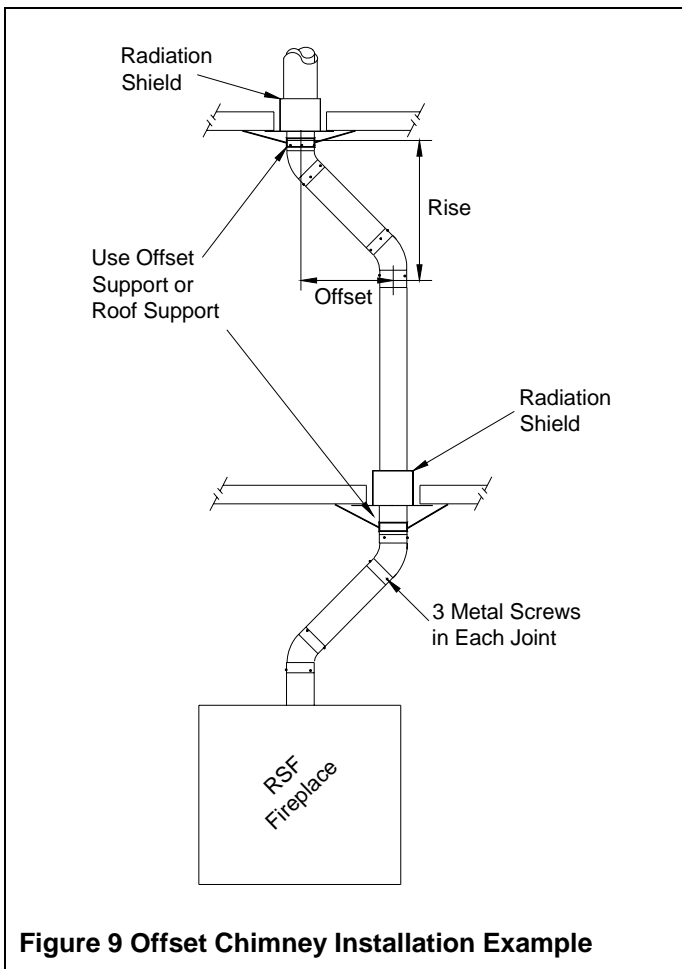
### **OFFSET CHIMNEY**

An elbow may be installed directly on top of the fireplace if required. See the detailed offset charts in the EXCEL chimney installation manual. Use the offset option if you need to clear a joist or pass around a cupboard. See Figure 9 and Figure 10 for examples.

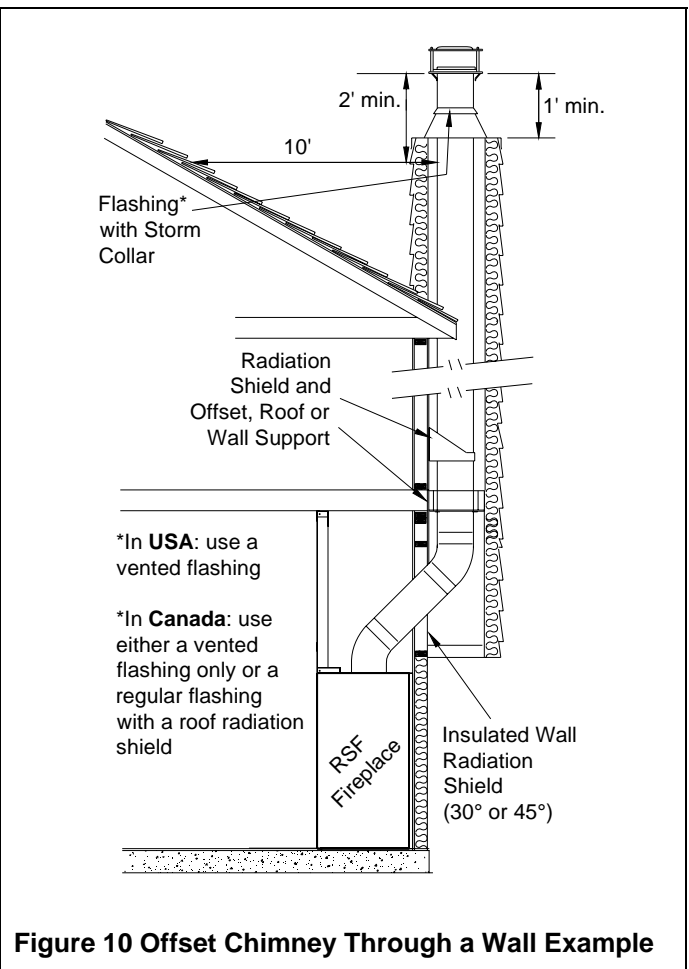
- Maximum offset angle:
  - In **USA**: 30°;
  - In **Canada**: 45°.
- Maximum number of elbows: four, resulting in two offsets and returns.

Install the fireplace and chimney as described earlier. When you require an elbow, proceed as follows:

1. Install the required elbow. Turn it in the desired direction, and fasten it to the other section with 3 metal screws at the joints.
2. Install enough lengths to obtain the desired offset. Secure each joint with 3 metal screws.
3. Use another elbow to return the chimney to the vertical direction.
4. Install a roof support, a wall support, or an offset support above each offset to support the weight of the chimney (elbows are not designed to support the chimney above an offset).



**Figure 9 Offset Chimney Installation Example**



**Figure 10 Offset Chimney Through a Wall Example**

## **CHASE ENCLOSURE**

If the chimney runs up the outside of the house, we recommend that it be enclosed in a chase structure. The chase should be constructed in such a way that it is an extension of the home (see Figure 11). It should be well insulated between the footings and the floor of the home to prevent heat loss. If the climate in your area is mild, insulate the chase at least to the first firestop. If the climate in your area is very cold, insulate the chase to the top to keep the chimney warmer, increase the draft, and reduce creosote buildup. We also recommend to insulate the ceiling of the chase just as if it were in the attic space. This will prevent cold air from dropping down through the chase and into the room where the fireplace is installed (see Figure 11).

Some local codes require that the walls be insulated, vapor sealed and sheathed with a fire rated gypsum board (see Figure 11). We strongly recommend this procedure for all installations to prevent cold drafts from originating in the fireplace enclosure. If you follow this procedure, we recommend that you do not insulate the wall above the front of the fireplace.

◆ **REMEMBER:** Check local codes concerning installation requirements and restrictions in your area.

## **MASONRY CHIMNEY**

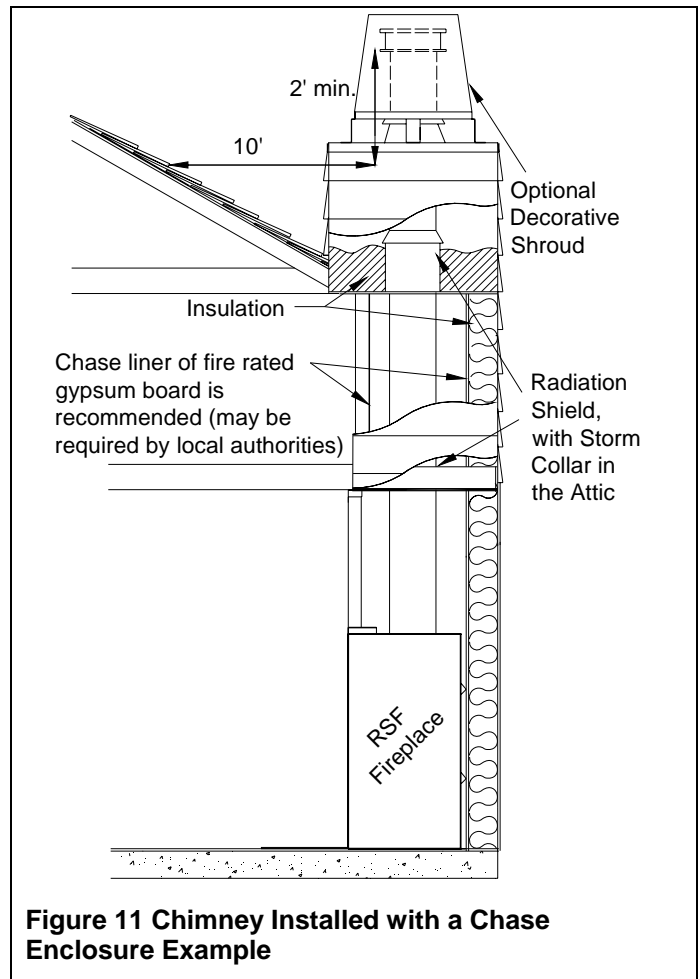
Installing your TOPAZ fireplace with a masonry chimney still requires using EXCEL chimney from the top of the fireplace to the wall where it will connect to a listed liner that will run up inside the masonry chimney (see Figure 12).

The stainless steel liner should be fitted inside the clay liner all the way to the top of the masonry chimney. It is not meant to replace the clay liner. You can use either the EXCEL liner or any other listed liner to ULC-S635, ULC-S640 or UL-1777.

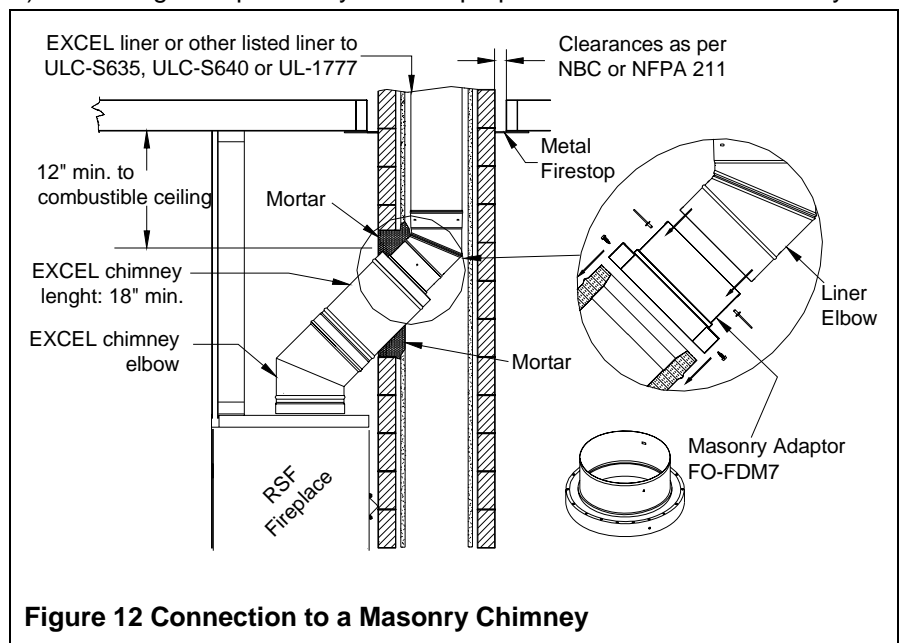
Special care is to be taken to make sure that you have a good solid connection between the EXCEL chimney and the liner. A masonry adaptor (FO-FDM7) was designed specifically for that purpose and is available from your RSF dealer. It will attach to the liner with 3 stainless steel rivets (provided) and to the EXCEL chimney with 3 screws (provided).

After mortaring in place, the connection between the EXCEL chimney and the liner should not be visible in order to isolate the heat released through the liner from the fireplace enclosure.

As depicted in Figure 12, you must install at least one 18" length of EXCEL chimney after the EXCEL chimney elbow. The uppermost part of the EXCEL chimney - where it enters the masonry chimney - must be a minimum of 12" from the ceiling.



**Figure 11 Chimney Installed with a Chase Enclosure Example**



**Figure 12 Connection to a Masonry Chimney**



◆ **NOTE:** If the ceiling is high enough, you can install one or more EXCEL chimney lengths directly on the fireplace before the elbow.

If you use a flexible liner, make sure to be careful when cleaning to ensure that the stainless steel flexible liner is not dislodged in any way.

### **Using an Existing Masonry Chimney**

❖ **WARNING: IF YOU ARE CONSIDERING USING AN EXISTING CHIMNEY, IT MUST FIRST BE THOROUGHLY INSPECTED BY AN AUTHORITY HAVING JURISDICTION TO DETERMINE THE FOLLOWING:**

1. The masonry chimney is well constructed and fully lined, in accordance with Local Building Codes and the National Building Code of Canada (NBC) or National Fire Protection Association chimney standard (NFPA 211).
2. It has been thoroughly cleaned of any soot or creosote residue and inspected to determine that it is in good working condition.
3. There is no insulation of any type in contact with the masonry chimney and there is no insulation stuffed anywhere in the chimney.
4. All the necessary clearances around the masonry chimney, along the complete run of the chimney, are respected as per NBC or NFPA 211. If the masonry chimney is enclosed in drywall, openings will probably be required in order to verify clearances at all points.
5. The masonry chimney will only be used for the fireplace and no other appliance.

If major repairs are required to meet the above conditions, a new chimney should be constructed.

To make the hole through the masonry chimney and make the connection to the fireplace, we recommend that you follow these steps:

1. Sight-in and mark the outline of where the EXCEL chimney will penetrate the masonry chimney.
2. Using a large ( $\frac{3}{4}$ " - 2") masonry drill bit, drill a hole exactly in the center of the oval outline. With a masonry hammer and drill, slowly enlarge the hole to the size required. Remember to work from the center out. Be especially careful with the clay liner behind the brick because three sides of it must stay in place.
3. Bring the stainless steel liner down from the top of the chimney.

If you are using a rigid liner you will need enough room to secure an elbow to it with at least two screws.

If it is difficult to install rigid stainless steel liner in the existing masonry chimney or for a masonry chimney with less than 10"x10" inside, a listed stainless steel flexible liner can be used along with a flexible/rigid adaptor (LM-7LAF) available from your RSF dealer.

4. Install the liner elbow and masonry adaptor on the lower end of the liner.
5. Move the fireplace forward enough to install the EXCEL chimney on the fireplace (elbow and length) then move the fireplace back into position as you connect the masonry adaptor to the EXCEL chimney.

### **Using a New Masonry chimney**

Since the masonry chimney is not build yet, we recommend that you position your fireplace, install the EXCEL chimney on it and connect to the first length of liner before building the chimney as explained above and shown in Figure 12 . The liner sections can easily be installed as the layers of brick are being placed. Since this is a new chimney, we recommend that you build it to the right size so you do not have to ovalize the liner but if you choose to use a 6"x10" clay liner you will need to ovalize the stainless steel liner to fit into the clay liner.

◆ **Remember:** The stainless steel liner should be fitted inside the clay liner all the way to the top of the masonry chimney. It is not meant to replace the clay liner.

### **FRAMING**

The enclosure walls can be framed with any suitable materials (2x4 or 2x6 studs, plywood, gypsum board, etc.). Because of the high heat output potential of the TOPAZ, combustible materials must NOT go closer to the fireplace than the standoffs, top, back and sides.

## **HEARTH EXTENSION**

The area immediately in front of the fireplace must be protected by a non-combustible material such as brick, tile, stone, or slate. Refer to Table 1 (G-H) for the depth and width that the hearth protection should extend beyond the front and both sides of the door opening (see Figure 1). There is no minimum thickness required for the hearth extension.

## **BENEATH HEARTH EXTENSION**

If the TOPAZ is installed on a non-combustible floor, NONE of the cement board and the spark guard specified below is required.

Install the spark guard provided (5" x 36" piece of sheet metal) halfway under the fireplace and halfway under the hearth extension and centered on the door opening. The spark guard will extend 2½" beneath the fireplace. This will make certain that sparks cannot lodge in this area and start a fire. If necessary, the provided spark guard can be cut to the minimum width specified in Table 1 (I).

If you are preparing a raised installation, you will need a custom made spark guard, either a "Z" shaped spark guard or a right angle spark guard (see Figure 13). The Z-shaped spark guard must be used if the height between the bottom of the fireplace and the top of the non-combustible flooring of the hearth extension is less than or equal to 2 ½". The height of the Z-shaped spark guard must equal the distance between the floor and the base of the unit and go under the hearth extension and the fireplace by at least 2½". If the unit is installed higher than 2 ½" from the top of the flooring, a right angle spark guard is necessary. The sides of the right angle spark guard should be at least 2½" x 2½" and must be covered with non-combustible material. Any custom made spark guard must have the minimum width specified in Table 1 (I), and be installed centered on the door opening.

◆ **NOTE:** Custom-made spark guards are not supplied.

In the USA only:

A ½" cement board, such as Durock® or an equivalent cement board, **MUST** be installed beneath the hearth extension. The cement board must have the same minimum dimensions as the hearth extension (see Table 1 (G-H)). If the fireplace is raised by at least 4", the cement board is **NOT** required.

The spark guard must be installed under any of the layers of the hearth extension.

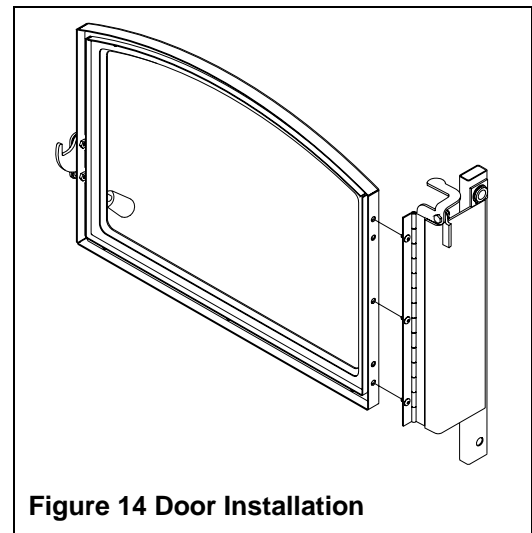
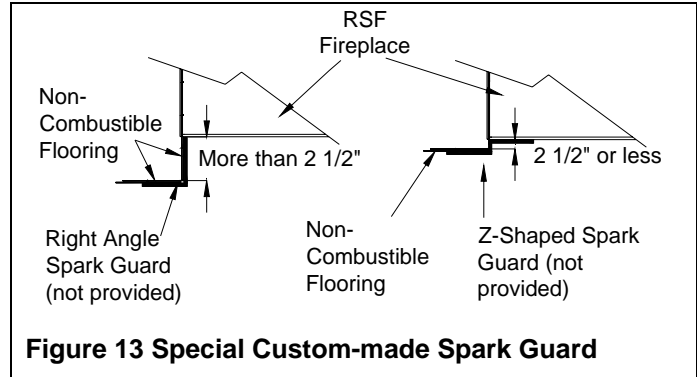
## **MANTEL**

Refer to Table 1 (J) for the maximum depth of the mantel and its installation height. Wood or other combustible mantels must be placed as specified in Table 1 (K) and illustrated in Figure 1.

Masonry and other non-combustible mantels can be placed directly above the top of the fireplace facing or higher. If the non-combustible mantel is located between the top of the fireplace facing and the specified height for a combustible mantel, then the wall portion between the top of the fireplace facing and the mantel must be covered in non-combustible material. If the non-combustible mantel is located at the same height allowed for a combustible mantel, or higher, then no special wall covering is required below the mantel.

## **DOOR INSTALLATION**

◆ **NOTE:** We recommend that you delay the installation of the door until after all finishing work is completed around the fireplace. This will reduce the possibility of scratches, vandalism, or damage to the finish caused by drywall dust, muriatic acid, plaster, cement, paint or any other harmful spray or liquid.



The TOPAZ is offered with many door options.

Use only genuine RSF parts. The use of any substitutes will decertify the system and may put your safety at risk.

To install the door on the fireplace, start by removing all 5 screws on the left side of the door. You can store 2 of them as replacement screws. If the extrusions are installed, open the left extrusion. Open the hinge on the left of the fireplace and attach the door to the hinge with 3 screws as shown in Figure 14.

Refer to the maintenance section to properly adjust the seal of the door.

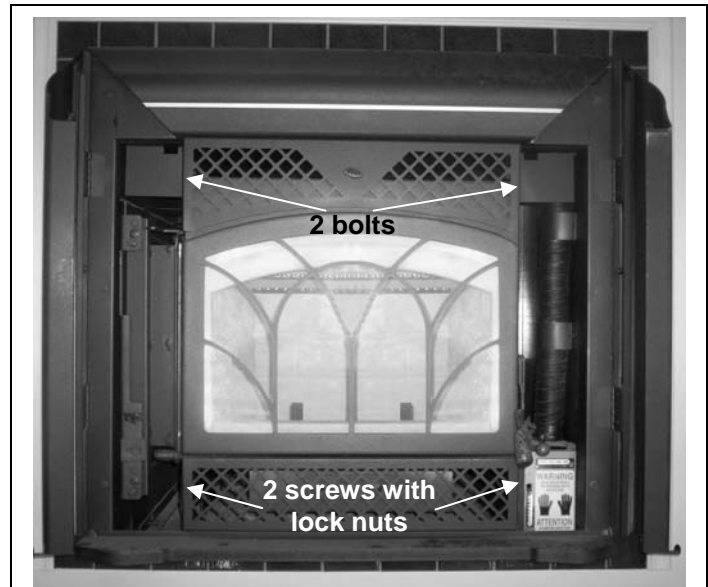
### **LOUVER INSTALLATION**

◆ **NOTE:** We recommend that you delay the installation of the louvers until after all finishing work is completed around the fireplace. This will reduce the possibility of scratches, vandalism, or damage to the finish caused by drywall dust, muriatic acid, plaster, cement, paint or any other harmful spray or liquid.

The TOPAZ is offered with various louvers options

Use only genuine RSF parts. The use of any substitutes will decertify the system and may put your safety at risk.

If the extrusions are installed, open both the left and the right extrusion. Using the 2 bolts provided, attach the upper louver to the top of the fireplace as shown in Figure 15. Make sure to install the upper louver level and centered. Using the 2 very small screws along with the 2 small lock nuts provided, attach the bottom louver to the bottom of the fireplace as shown in Figure 15. Again be careful to install the bottom louver level and centered. The bottom louver is held in the upright position by 2 magnets located on the back side of the bottom louver.



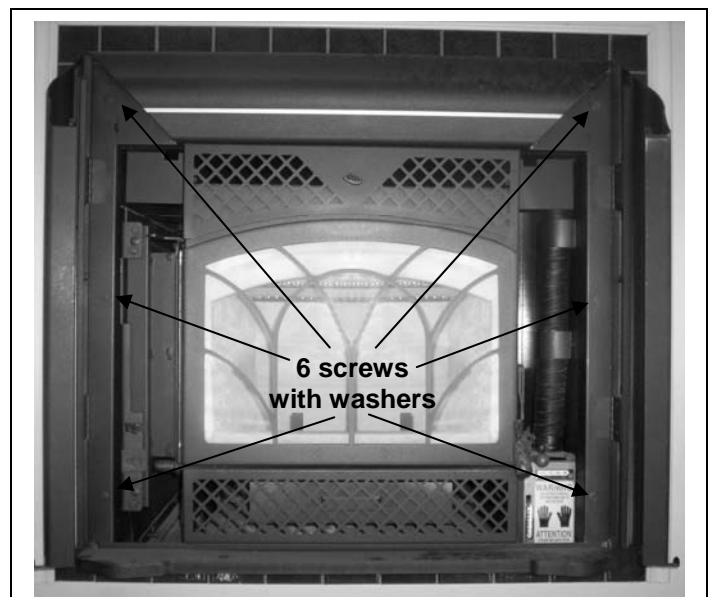
**Figure 15 Louvers Installation**

### **EXTRUSION INSTALLATION**

◆ **NOTE:** We recommend that you delay the installation of the extrusions until after all finishing work is completed around the fireplace. This will reduce the possibility of scratches, vandalism, or damage to the finish caused by drywall dust, muriatic acid, plaster, cement, paint or any other harmful spray or liquid.

Since the wall covering can be installed directly around the fireplace without any clearance to the front of the fireplace, the extrusions are designed to compensate for the thickness of the wall covering that you have installed (up to  $\frac{3}{4}$ " ). Never encase the extrusions with the wall covering; you need to be able to open both the left and the right extrusions.

Once the wall covering is completely finished, take the extrusions out of the storage bag. Using the 6 screws and the 6 washers, attach the extrusions on the fireplace as shown in Figure 16. Tighten all screws so that the extrusions are tight against the wall covering and the fireplace. Make sure that both extrusions can be opened and closed without any difficulty using the handle at the bottom of each extrusion.



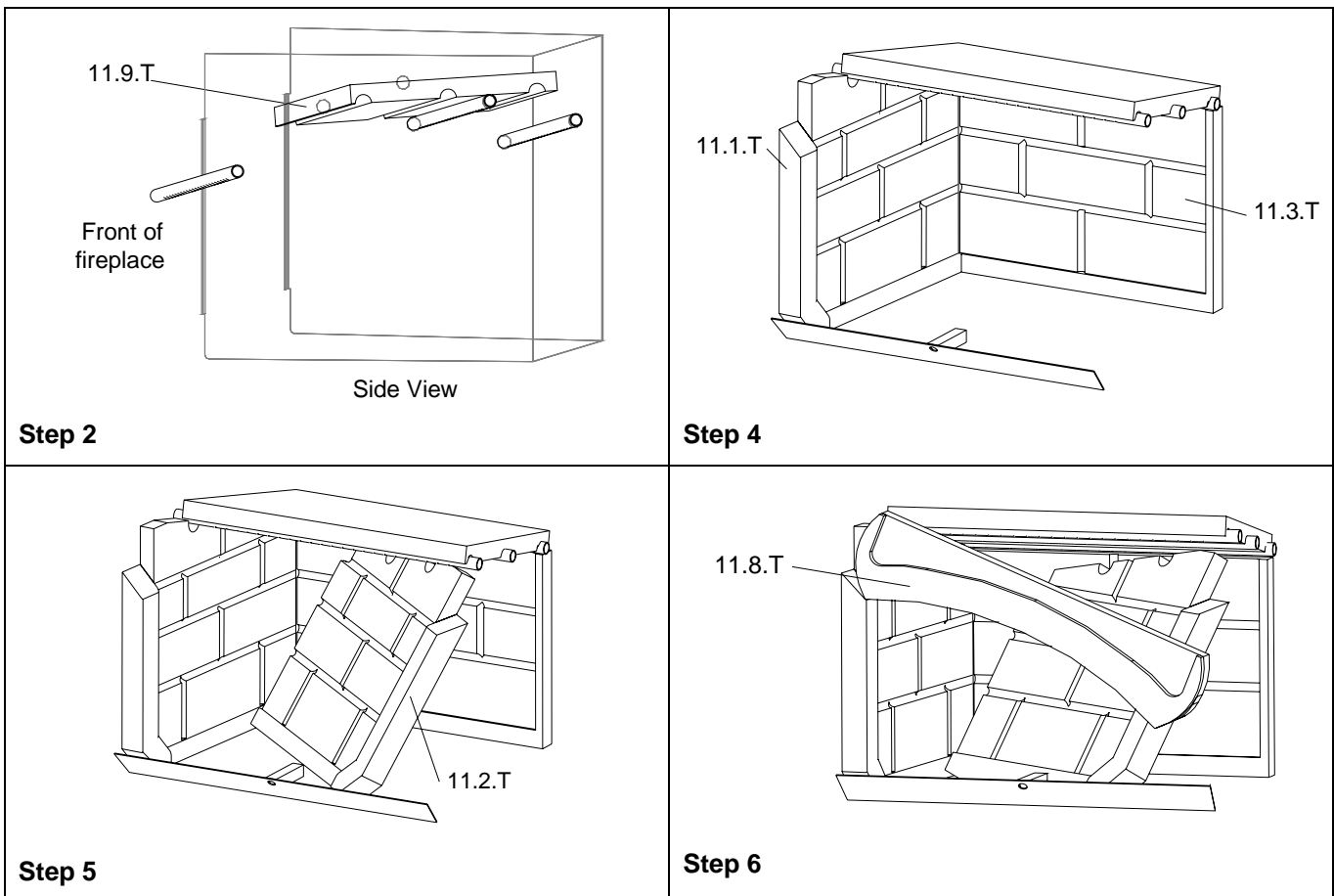
**Figure 16 Extrusion Installation**

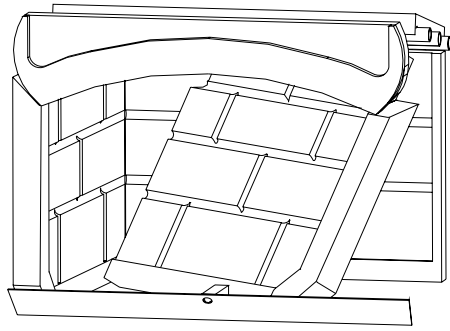
## **REFRACTORY BRICK INSTALLATION**

Before lighting your first fire, you must make sure the refractory bricks are properly installed inside the firebox. This is easily accomplished with the following instructions. To remove any of the refractory bricks, just follow the installation procedure in the reverse sequence. Refer to Figure 17 to adequately identify which refractory brick is the left and which is the right at each step of the installation.

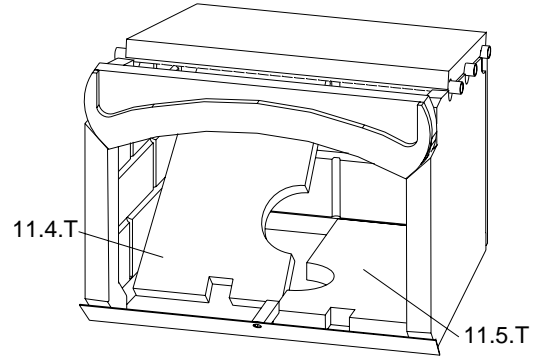
1. First, remove the secondary air tube at the top front of the firebox. To do so, unscrew the bracket located on the left side of the tube.
2. Then place the baffle (11.9.T) above the other two tubes and ensure its proper orientation: narrow part towards the rear and grooves towards the bottom.
3. Reinstall the first tube and screw it in place.
4. Continue by inserting the rear refractory brick in the firebox (11.3.T), then the left side refractory brick (11.1.T).
5. Then insert the refractory brick on the right side (11.2.T) of the firebox but do not position it yet. Ensure that it is resting firmly on the rear refractory brick.
6. Next insert the arch refractory brick (11.8.T) in the firebox.
7. Then pivot the arch refractory brick until it is in a horizontal position and then slide the right refractory brick until it is in place. The arch refractory brick is supported by the two side refractory bricks.
8. Continue by installing the 2 bottom refractory bricks in the firebox (11.4.T on the left and 11.5.T on the right). First, slide the left bottom refractory brick below the square tube located at the front floor of the firebox. Then install the right refractory brick in the same fashion.
9. Finally, install the 2 front refractory bricks (11.6.T on the left and 11.7.T on the right) and the refractory plug (11.10.T).

These refractory have been designed specifically for the TOPAZ and no modifications are required to ensure a proper fit.

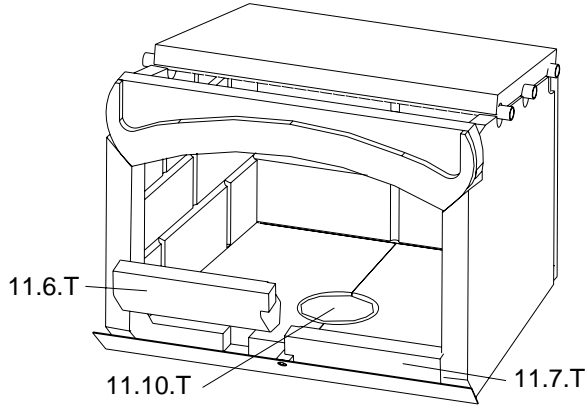




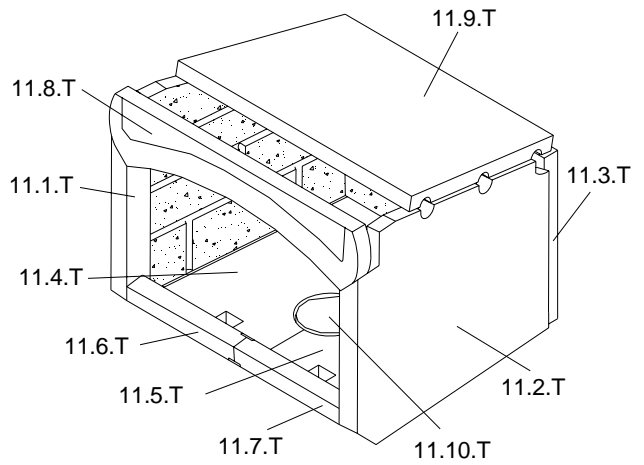
**Step 7**



**Step 8**




**Step 9**




**Figure 17 Refractory Bricks Installation**

# LISTING LABEL



LISTED FACTORY BUILT FIREPLACE  
MODEL: TOPAZ  
TESTED TO: UL-127 / ULC-S610 / ULC-S627



FOYER PRÉFABRIQUÉ  
MODÈLE: TOPAZ  
MIS À L'ESSAI SELON LES NORMES  
UL-127 / ULC-S610 / ULC-S627

DO NOT REMOVE THIS LABEL / NE PAS ENLEVER CETTE ÉTIQUETTE

SERIAL NO. / NO. DE SÉRIE

INSTALL AND USE ONLY IN ACCORDANCE WITH THE MANUFACTURER'S INSTALLATION AND OPERATING INSTRUCTIONS. **DO NOT OBSTRUCT** COMBUSTION AIR INLET. DO NOT USE A FIREPLACE INSERT OR OTHER PRODUCTS NOT SPECIFIED FOR USE IN THIS PRODUCT. OPERATE WITH DOORS FULLY OPEN OR FULLY CLOSED.

MINIMUM CLEARANCES TO COMBUSTIBLE MATERIALS	
SIDEWALL, SIDE FACING	12 IN. / 305 MM FROM DOOR OPENING
MANTLE, TOP FACING	19 IN. / 485 MM FROM DOOR OPENING
UNIT TOP, BACK, SIDES AND BOTTOM	0 IN. / 0 MM TO SPACERS

COMBUSTIBLE MATERIALS ARE NOT PERMITTED ON FACE OF UNIT. COMBUSTIBLE FLOOR MUST BE PROTECTED AS SPECIFIED IN THE INSTALLATION INSTRUCTION MANUAL.  
CHOICE OF DOOR AND LOUVERS.  
USE 4 IN. OR 5 IN. (102 OR 130 MM) DIAMETER FLEXIBLE DUCT AND COMBUSTION AIR INLET ASSEMBLY. USE THE **ICC MODEL 7 IN. (190 MM) EXCEL CHIMNEY** AND LISTED COMPONENTS AS PER INSTALLATION INSTRUCTIONS.

INSTALLER ET UTILISER SELON LES INSTRUCTIONS D'INSTALLATION ET DE FONCTIONNEMENT DU MANUFACTURIER. **NE PAS OBSTRUER** L'ENTRÉE D'AIR COMBURANT. N'UTILISER PAS D'ENCASTRABLE OU AUTRES PRODUITS NON SPÉCIFIÉS POUR UTILISATION AVEC CE PRODUIT. FAIRE FONCTIONNER LE FOYER AVEC LA PORTE COMPLÈTEMENT OUVERTE OU FERMÉE.

DÉGAGEMENTS MINIMUM AUX MATIÈRES COMBUSTIBLES	
MUR DE CÔTÉ, FAÇADE-CÔTÉ	12 PO. / 305 MM DE L'OUVERTURE DE LA PORTE
MANTEAU, FAÇADE-DESSUS	19 PO. / 485 MM DE L'OUVERTURE DE LA PORTE
DESSUS, ARRIÈRE, CÔTÉS ET BASE DE L'APPAREIL	0 PO. / 0 MM DES CALES

LES MATÉRIEAUX COMBUSTIBLES NE SONT PAS PERMIS SUR LA FAÇADE DE L'APPAREIL. UN PLANCHER COMBUSTIBLE DOIT ÊTRE PROTÉGÉ SUIVANT LES SPÉCIFICATIONS DU LIVRET D'INSTRUCTIONS.  
PIÈCES REQUISES POUR L'INSTALLATION:  
PORTE ET PERSIENNES AU CHOIX.  
TUYAU FLEXIBLE DE 4" OU 5" (102 OU 130 MM) DIA. ET PRISE D'ENTRÉE D'AIR.  
UTILISER UNE **CHEMINÉE EXCEL 7" (190 MM) DE DIAMÈTRE DE ICC** SELON LES INSTRUCTIONS D'INSTALLATION.

REFER TO MANUFACTURER'S INSTALLATION AND OPERATING INSTRUCTIONS FOR OPTIONAL COMPONENTS:  
FANS, FIRESCREEN, GRAVITY VENT SYSTEM.


REPLACE GLASS ONLY WITH 5MM CERAMIC GLASS. OPERATE ONLY WITH FIREBRICK IN PLACE. FOR USE WITH SOLID WOOD FUEL ONLY. DO NOT OVERFIRE UNIT. WARNING: THIS FIREPLACE HAS NOT BEEN TESTED WITH AN UNVENTED GAS LOG SET. TO REDUCE RISK OF FIRE OR INJURY, DO NOT INSTALL AN UNVENTED GAS LOG SET INTO THE FIREPLACE.

VOIR LES INSTRUCTIONS D'INSTALLATION DU MANUFACTURIER POUR LES COMPOSANTES OPTIONNELLES:  
SOUFFLERIES, ÉCRAN PARE-ÉTINCELLES, SYSTÈME D'ÉVENT PAR GRAVITÉ.


LE REMPLACEMENT D'UNE VITRE DOIT SE FAIRE AVEC UNE VITRE CÉRAMIQUE DE 5 MM D'ÉPAISSEUR SEULEMENT. OPÉRER SEULEMENT AVEC LES PIERRES RÉFRACTAIRES EN PLACE. POUR UTILISATION AVEC DU BOIS SEULEMENT. NE PAS SURCHAUFFER L'APPAREIL. AVERTISSEMENT: CE FOYER N'A PAS ÉTÉ TESTÉ AVEC UNE BÛCHE À GAZ SANS ÉVENT. POUR RÉDUIRE LES RISQUES DE FEU ET DE BLESSURES, NE PAS INSTALLER DE BÛCHE À GAZ SANS ÉVENT DANS CE FOYER.

DATE MANUFACTURED / DATE DE FABRICATION

MANUFACTURED BY / FAIT PAR ICC, 400 J.F. KENNEDY, ST-JÉRÔME  
QUEBEC, CANADA, J7Y 4B7



WOODBURNING FIREPLACES  
MADE IN CANADA



FABRIQUÉ AU CANADA

U.S. ENVIRONMENTAL PROTECTION AGENCY CERTIFIED TO COMPLY WITH JULY 1990 PARTICULATE EMISSION STANDARD

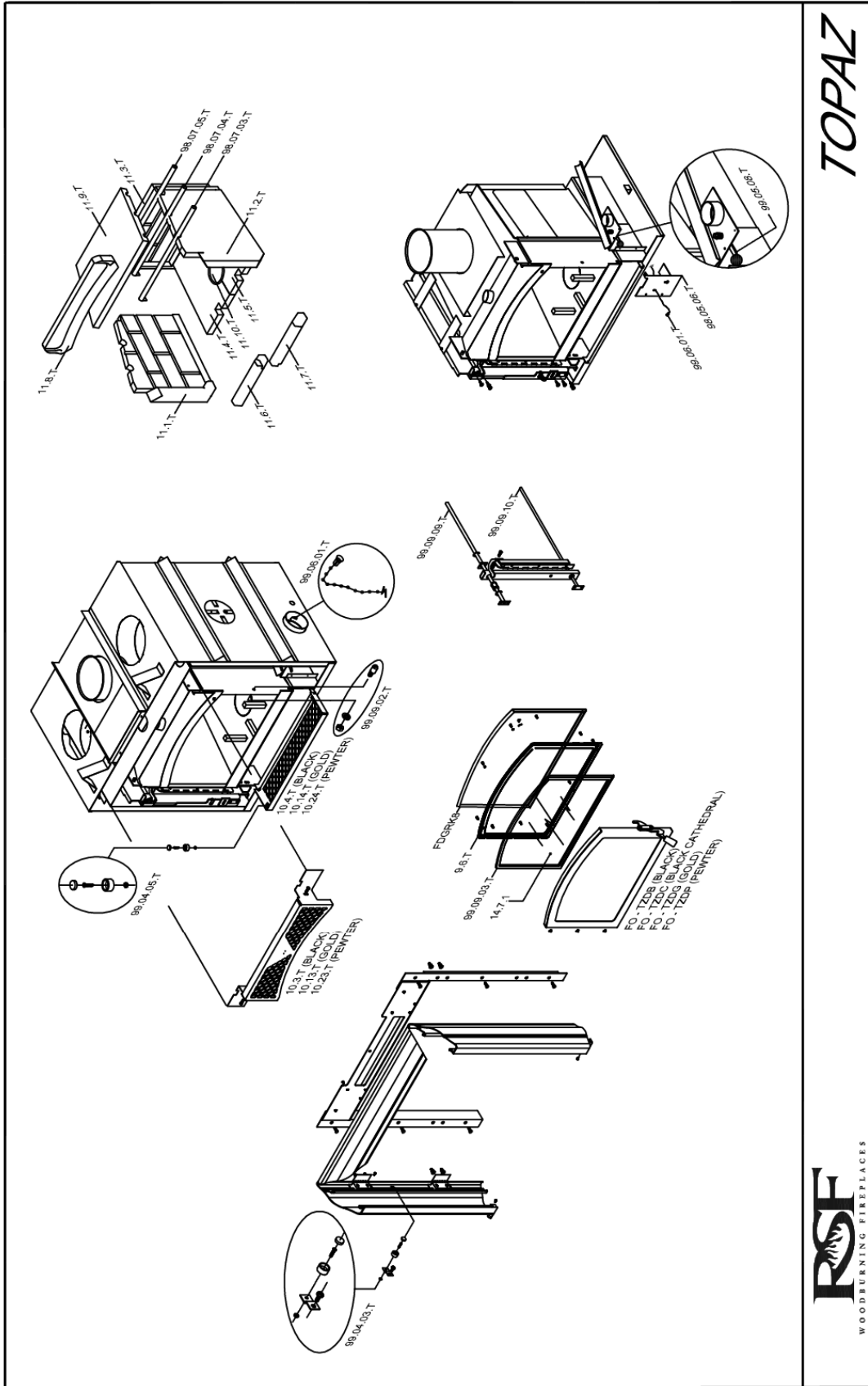
CERTIFIÉ PAR EPA (USA) SELON LA NORME SUR LES ÉMISSIONS DE PARTICULES (JUILLET 1990)

19990009

## COMPLETE OPTIONS LIST

		Electricity Required
FO-CAP	Ash Pan Kit	
FO-DUCT5	Insulated Duct 5 feet	
FO-FDDHE	Decorative Hearth Extension	
FO-FDGRK8	Gasket Replacement Kit	
FO-FDHB8	Blower – Internal	✓
FO-FDM7	Masonry Chimney Adapter 7"	
FO-FDFST	Topaz Firescreen	
FO-HD	Heat Dump Kit	✓
FO-TZDB	Topaz Door - Black	
FO-TZDC	Topaz Door – Cathedral (black)	
FO-TZDG	Topaz Door – Gold plated	
FO-TZDP	Topaz Door – Pewter plated	
FO-TZLB	Topaz Louvers – Black	
FO-TZLG	Topaz Louvers – Gold plated	
FO-TZLP	Topaz Louvers – Pewter plated	
FO-V2	Gravity Vent Kit	

# REPLACEMENT PARTS




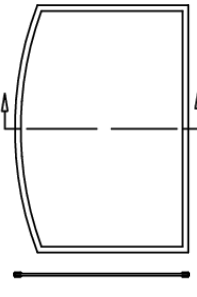
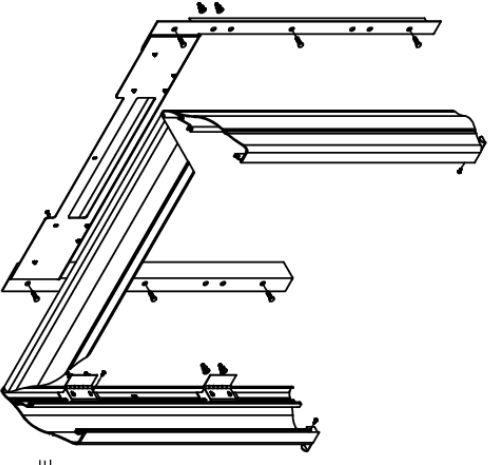
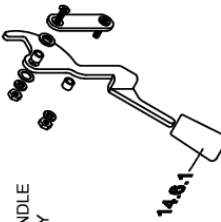


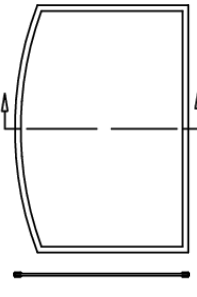
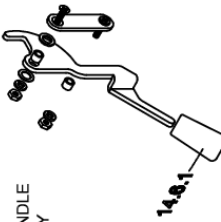
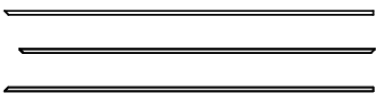

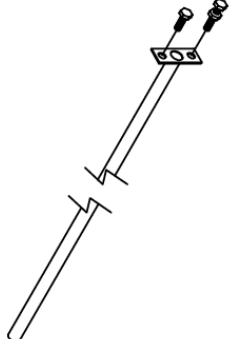
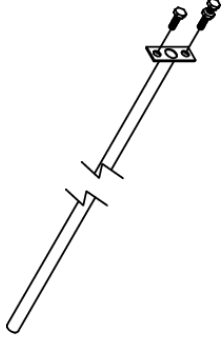
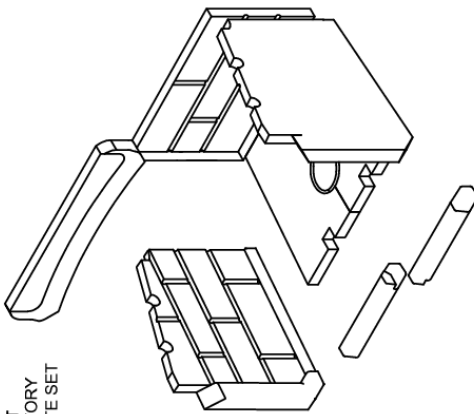


**TOPAZ**

2008-05

**RSF**  
WOODBURNING FIREPLACES



<p><b>99.04.05.T</b> LOUVER MAGNET ASSEMBLY</p> 	<p><b>99.04.03.T</b> EXTRUSION MAGNET ASSEMBLY</p> 	<p><b>99.06.01.T</b> CHAIN &amp; PENDANT ASSEMBLY</p> 	<p><b>99.09.03.T</b> GLASS &amp; GASKET</p> 	<p><b>99.04.01.T (BLACK)</b> <b>99.04.22.T (PEWTER)</b> EXTRUSION COMPLETE ASSEMBLY</p> 	<p><b>99.09.01.T</b> DOOR HANDLE ASSEMBLY</p> 	<p><b>99.09.07.T</b> BEARING &amp; CLIPS</p> 	<p><b>99.05.08.T</b> AIR CONTROL HANDLE</p> 	<p><b>99.09.08.T</b> GLASS &amp; GASKET</p> 	<p><b>99.09.01.T</b> DOOR HANDLE ASSEMBLY</p> 	<p><b>99.04.02.T (BLACK)</b> <b>99.04.22.T (PEWTER/GOLD)</b> EXTRUSION INSERT</p> 	<p><b>99.09.06.T</b> CHANNEL</p> 	<p><b>99.09.09.T</b> TOP SLIDING ROD</p> 	<p><b>99.09.10.T</b> BOTTOM SLIDING ROD</p> 	<p><b>99.11.01.T</b> REFRACTORY COMPLETE SET</p> 
---	--	---	--	---	---	--	--	--	---	--	--	--	--	---

**ASSEMBLIES**

**TOPAZ**

2008-05





## LIMITED WARRANTY

### 30 Years Limited Warranty

**All RSF Woodburning Fireplaces models are warranted against defects in material and workmanship for a period of 30 years, subject to the following conditions:**

During the first year **RSF Woodburning Fireplaces** will repair or replace, at our option, any parts which upon examination by an authorized **RSF Woodburning Fireplaces** representative, are found to be defective, except the parts listed in the EXCLUSIONS portion of this warranty. **RSF Woodburning Fireplaces** will also pay reasonable labor costs for the repair work.

During the second through fifth years **RSF Woodburning Fireplaces** will repair or replace, at our option, any parts which upon examination by an authorized **RSF Woodburning Fireplaces** representative, are found to be defective, except the parts listed in the EXCLUSIONS portion of this warranty. **RSF Woodburning Fireplaces** shall not be responsible for any labor costs associated with this repair work.

During the sixth through thirtieth years **RSF Woodburning Fireplaces** will provide replacement parts, if available, at 50% of the published retail price, except for the parts listed in the EXCLUSIONS portion of this warranty. **RSF Woodburning Fireplaces** shall not be responsible for any labor costs associated with this repair work.

#### EXCLUSIONS:

- Electrical components are warranted for one year only.
- Glass and plating.
- Damage due to normal wear and tear, such as paint discoloration, worn gaskets, eroded or cracked refractory components.
- Repairs or replacements necessitated by vandalism, neglect, abuse, over-firing, improper fuel or fuel loads, or failure to adequately service the unit, as stated in the owner's manual.
- Repairs or replacements (particularly charges for travel and labor) not authorized by **RSF Woodburning Fireplaces** in advance.

#### LIMITATIONS:

- All items found to be defective will be replaced or repaired upon return of the defective part to an authorized **RSF Woodburning Fireplaces** dealer. **RSF Woodburning Fireplaces** will not be responsible for freight costs related to shipping replacement parts.
- Any complete fireplace, or part thereof, that is replaced or serviced under this warranty, will be warranted for a period not exceeding the remaining term of the original warranty.
- This warranty is not transferable.
- This warranty does not apply to damage to the appliance while in transit.
- This warranty does not apply if the installation does not conform to the installation requirements in the owner's manual.

**RSF Woodburning Fireplaces** is free of liability for any damages caused by the appliance, as well as material and labor charges incurred in the removal or re-installation of any **RSF Woodburning Fireplaces** fireplace under this warranty. Incidental or consequential damages are not covered by this warranty.

The remedies set forth herein are exclusive, and the liability of the seller shall not exceed the price of the fireplace or part thereof upon which the liability is based.

This warranty is expressly in lieu of all other warranties expressed or implied, including the warranties of merchantability and fitness for use and all other obligations or liabilities on the part of **RSF Woodburning Fireplaces**.