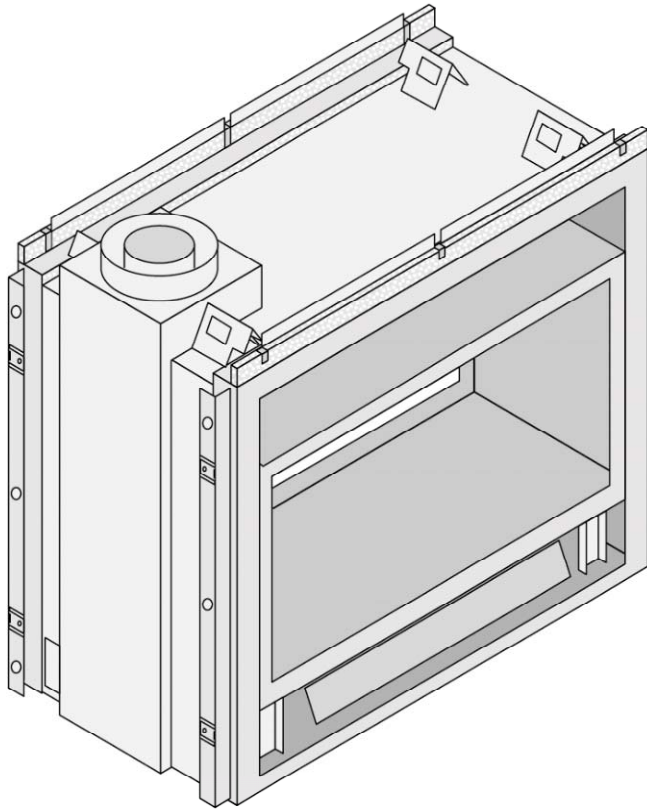


- 864 See Through GS2 - Fireplace



Tested and Listed by



OMNI-Test Laboratories, Inc.
Beaverton, Oregon
Report # 028-F-80b-5
ANSI Z21.88b-2003

- Built-In Direct Vent Fireplace
- Natural Gas or Propane
- Residential or Mobile Home

WARNING: If the information in these instructions is not followed exactly, a fire or explosion may result causing property damage, personal injury or loss of life.

- Do not store or use gasoline or other flammable vapors and liquids in the vicinity of this or any other appliance.

WHAT TO DO IF YOU SMELL GAS

- Do not try to light any appliance.
- Do not touch any electrical switch; do not use any phone in your building.
- Immediately call gas supplier from a neighbor's phone. Follow the gas supplier's instructions.
- If you cannot reach your gas supplier, call the fire department.
- Installation and service must be performed by a qualified installer, service agency or the gas supplier.

This appliance may be installed in an aftermarket permanently located, manufactured home (USA only) or mobile home, where not prohibited by local codes.

This appliance is only for use with the type(s) of gas indicated on the rating plate. A conversion kit is supplied with the appliance.

WARNING



HOT GLASS WILL
CAUSE BURNS.
DO NOT TOUCH GLASS
UNTIL COOLED.
NEVER ALLOW CHILDREN
TO TOUCH GLASS.

Installation Manual

Installer: Leave this manual with the appliance.

Consumer: Retain this manual for future reference.

© Copyright 2013, T.I. \$10.00 100-01303 4121105



**TRAVIS INDUSTRIES
HOUSE OF FIRE**

www.travisproducts.com

4800 Harbour Pointe Blvd. SW
Mukilteo, WA 98275

Overview

This manual details the installation requirements for the 864 See Through (ST) GS2 fireplace. For operating and maintenance instructions, refer to the 864 ST GS2 Owner's Manual (part # 100-01304).

Listing Details

This appliance was listed by Intertek to ANSI Z21.88 - report # 028-F-84-5. The listing label is attached to the appliance near the gas control valve. A copy is shown to the right.

IAS (ICBO) Approval

This appliance was listed by Intertek - IAS # TL130.

Massachusetts Approval

This manual has been submitted to the Massachusetts Board of State Examiners of Plumbers and Gas Fitters.

National Fireplace Institute



We suggest that our gas hearth products be installed and serviced by professionals who are certified in the U.S. by the National Fireplace Institute® (NFI) as NFI Gas Specialists.

www.nficertified.org

Fireplace to Adjacent Wall	1.0" (25mm)	Header (from stand-offs)	0" (0mm)
Wood Floor Beneath Fireplace	0.0" (0mm)	Sides to Enclosure	Left Side 1/2" (12mm) Right Side 0" (0mm)
Base to Enclosure	42" (1067mm)	Base of Fireplace to a 12" Mantel (see manual for other details)	48.75" (1238 mm)
Input Rate on "HI" (BTU/HR)	37,500	Minimum Inlet Pressure (inches W.C.)	11" 5.5"
Input Rate on "LO" (BTU/HR)	10,000	Maximum Inlet Pressure (inches W.C.)	13" 7"
		Manifold Pressure on "HI" (inches W.C.)	10" 3.5"

For natural gas when equipped with the following drill size orifice: DMS #44 Outer, #48 Center
 For propane when equipped with the following drill size orifice: DMS #55 Outer, #55 Center

This appliance is equipped for use only at altitudes 0-2,000 feet (0-610 m). In Canada 0-4500 feet (0-1370 m).
 For altitudes above 2,000 feet, the vent configuration, orifice, or combination of both may need to be changed.
 See the manual for information on making these changes.

Manufacture	2009	Jan.	Apr.	Jul.	Oct.
Date:	2010	Feb.	May	Aug.	Nov.
	2011	Mar.	Jun.	Sep.	Dec.



864 ST GS
Vented Gas Fireplace Heater

Report # 028-F-84-5
Intertek
 LISTED BY
 C-UL US
 OMA-Test Laboratories, Inc.

Complies with ANSI Z21.88-2007/CSA 2.23-2007 "Vented Gas Fireplace Heater", CGA 2.17-061, UL 307B-1995 "Gas Burning Heating Appliances for Manufacture in the U.S.", and CSA P41-1-02.

This appliance must be installed in accordance with local codes, if any; if none, follow the National Fuel Gas Code, ANSI Z223.1/NFPA 54, the National Gas and Propane Installation Codes, CSA B149.1, and the applicable ANSI/CSA standards.

This vented gas fireplace heater is equipped at the factory for use with natural gas. If conversion to propane (LP) is desired, the optional factory conversion kit must be used.

This appliance is only for use with the type of gas indicated on the rating plate and may be installed in an aftermarket permanently located, manufactured (mobile) home (USA only) where not prohibited by local codes. See manual for details. This appliance is not convertible for use with other gases, unless a certified kit is used.

This vented gas fireplace heater is not for use with air filters.

Keep burner and control compartment clean. See installation and operating instructions accompanying appliance.

This appliance must be properly connected to a venting system in accordance with the manufacturer's installation instructions. Use only approved direct vent systems to vent this appliance to the exterior. See manual for approved brands or venting.

WARNING: Improper installation, adjustment, alteration, service or maintenance can cause injury or property damage. Refer to the manual provided with this appliance. For assistance or additional information consult a qualified installer, service agency or the gas supplier.

VENTED GAS FIREPLACE HEATER – NOT FOR USE WITH SOLID FUEL

CAUTION: Hot while in operation. Do not touch. Severe burns may result. Keep children, clothing, furniture, gasoline and other liquids having flammable vapors away. Do not operate this appliance with glass removed, cracked or broken. Replacement of the panel(s) should be done by a licensed or qualified service person.

IGN 639

Table of Contents

Overview	2	Hearth Requirements	29
Listing Details	2	Facing Requirements	30
Table of Contents	3	Drywall Installation	30
Installation Options	6	Facing Overview	31
Heating Specifications	6	Optional Faceplates – Sizing Chart	31
Dimensions	6	Thin Facing Installation (tile, marble, or other non-combustible under 1" (25mm) thick).....	32
Packing List	7	Thin Facing Installation (tile, marble, under 1" (25mm) thick) - Side View	33
Additional Items Required	7	Thick Facing Installation (stone, brick, or other non-combustible over 1" (25mm) thick)	34
Recommended Installation Procedure	7	Thick Facing with Fireplace Xtrodinair (FPX) Arched Faces	35
Side Standoff Installation	7	Thick Facing Installation - Side View.....	36
Massachusetts Requirements	8	Mantel Requirements	37
Requirements for the Commonwealth of Massachusetts	8	Combustible Mantels.....	37
MANUFACTURER REQUIREMENTS	8	Examples:	37
Top Vent or Side Vent Configuration	9	Non-Combustible Mantels	37
Converting the Fireplace to Side Vent Configuration	9	Steps for Finalizing the Installation	38
Converting the Fireplace to Side Vent (continued).....	10	Air Shutter Adjustment	39
Fireplace Placement Requirements	11	Glass Frame Removal and Installation	40
Clearances	11	Glass Frame Removal and Installation (continued)	41
Raised Fireplaces.....	11	Log Set Installation	42
Minimum Framing Dimensions – Top or Side Vent Configuration	12	Logs in Place – FRONT SIDE (gas control valve side)	42
Nailing Brackets	13	Logs in Place – BACK SIDE.....	42
Gas Line Requirements	14	Center Log Installation	43
Fuel	14	Front Left Log	43
Gas Line Connection.....	14	Front Left Upper Log	45
Gas Inlet Pressure.....	14	Front Upper Center Log	46
Gas Line Location	15	Back Left Log	47
Electrical Connection (required)	16	Right Ember Chunk	48
Optional Wall Switch or Thermostat Installation	17	Back Ember Chunk	48
Parallel Connection Series Connection	17	Back Left Log	49
Vent Requirements	18	Back Upper Right Log	50
Vent Clearances.....	18	Ember Placement.....	51
Altitude Considerations	18	Rock Wool Placement	51
Approved Vent	19	LP Conversion Instructions	52
Vent Installation.....	19	Fireback Installation	55
Approved Vent Configurations	20	Grill Installation	57
Restrictor Position	20	Extra Room Power Heat Duct	58
Exhaust Restrictor Adjustment	20	Special Instructions for 864 ST	58
Intake Restrictor Adjustment	21	Power Heat Duct Wiring Diagram.....	58
Diffuser Plate Adjustment.....	22	-Remove the Heat Shield Cover Plate.....	58
Side Vent Configuration with Horizontal Termination (no vertical rise)	23	Andiron Installation	59
Side Vent Configuration with Horizontal Termination (with vertical rise)	24	GS2 Remote Installation	60
Side Vent Configuration with Vertical Termination	25	Packing List.....	60
Top Vent Configuration with Horizontal Termination	26	Warnings	60
Top Vent Configuration with Vertical Termination	27	Remote Control / Pilot Warnings.....	60
Termination Requirements	28	Base Wiring Diagram	61
		GS2 Remote Wiring Diagram	62
		Installation	63
		Index	74

Safety Warnings

- Failure to follow all of the requirements may result in property damage, bodily injury, or even death.
- This unit must be installed by a qualified installer to prevent the possibility of an explosion.
- This appliance must be installed in accordance with all local codes, if any; if not, in U.S.A. follow ANSI Z223.1 and NFPA 54(88).
- A manufactured home (USA only) or mobile home OEM installation must conform with the Manufactured Home Construction and Safety Standard, Title 24 CFR, Part 3280, or, when such a standard is not applicable, the Standard for Manufactured Home Installations, ANSI/NCSCBS A225.1, or Standard for Gas Equipped Recreational Vehicles and Mobile Housing, CSA Z240.4. This appliance may be installed in Manufactured Housing only after the home is site located.
- All exhaust gases must be vented outside the structure of the living-area. Combustion air is drawn from outside the living-area structure. The venting must not be connected to a chimney flue serving a separate solid-fuel burning appliance.
- Notify your insurance company before hooking up this fireplace.
- The room heater should be inspected before use and at least annually by a qualified service person. More frequent cleaning may be required due to excessive lint from carpeting, bedding material, etc.
- The instructions in this manual must be strictly adhered to. Do not use makeshift methods or compromise in the installation. Improper installation will void the warranty and safety listing.
- This heater is approved for use with natural gas (NG) or propane (LP). Burning the incorrect fuel will void the warranty and safety listing and may cause an extreme safety hazard. Direct questions about the type of fuel used to your dealer. Check the label and flame adjust knob on the gas control valve.
- Contact your local building officials to obtain a permit and information on any installation restrictions or inspection requirements in your area.
- If the flame becomes sooty, dark orange in color, or extremely tall, do not operate the heater. Call your dealer and arrange for proper servicing.
- It is imperative that control compartments, screens, or circulating air passageways of the heater be kept clean and free of obstructions. These areas provide the air necessary for safe operation.
- Do not operate the heater if it is not operating properly in any fashion or if you are uncertain. Call your dealer for a full explanation of your heater and what to expect.
- Do not store or use gasoline or other flammable liquids in the vicinity of this heater.
- Do not operate if any portion of the heater was submerged in water or if any corrosion occurs.
- Do not place clothing or other flammable items on or near the heater. Because this heater can be controlled by a thermostat there is a possibility of the heater turning on and igniting any items placed on or near it.
- Light the heater using the built-in igniter. Do not use matches or any other external device to light your heater.
- Never remove, replace, modify or substitute any part of the heater unless instructions are given in this manual. All other work must be done by a trained technician. Don't modify or replace orifices.
- The viewing glass should be opened only for conducting service.
- Any safety screen or guard removed for servicing must be replaced prior to operating the heater.

Safety Warnings (continued):

- Allow the heater to cool before carrying out any maintenance or cleaning.
- Operate the heater according to the instructions included in this manual.
- If the main burners do not start correctly turn the gas off and call your dealer for service.
- This unit is not for use with solid fuel.
- Do not place anything inside the firebox (except the included fiber logs).
- If the fiber logs become damaged, replace with Travis Industries log set.
- Do not throw this manual away. This manual has important operating and maintenance instructions that you will need at a later time. Always follow the instructions in this manual.
- Do not touch the hot surfaces of the heater. Educate all children of the danger of a high-temperature heater. Young children should be supervised when they are in the same room as the heater.
- Due to the high temperature, the heater should be located out of traffic and away from furniture and draperies.
- Instruct everyone in the house how to shut gas off to the appliance and at the gas main shutoff valve. The gas main shutoff valve is usually next to the gas meter or propane tank and requires a wrench to shut off.
- **Travis Industries, Inc. grants no warranty, implied or stated, for the installation or maintenance of your heater, and assumes no responsibility of any consequential damage(s).**

Installation Options

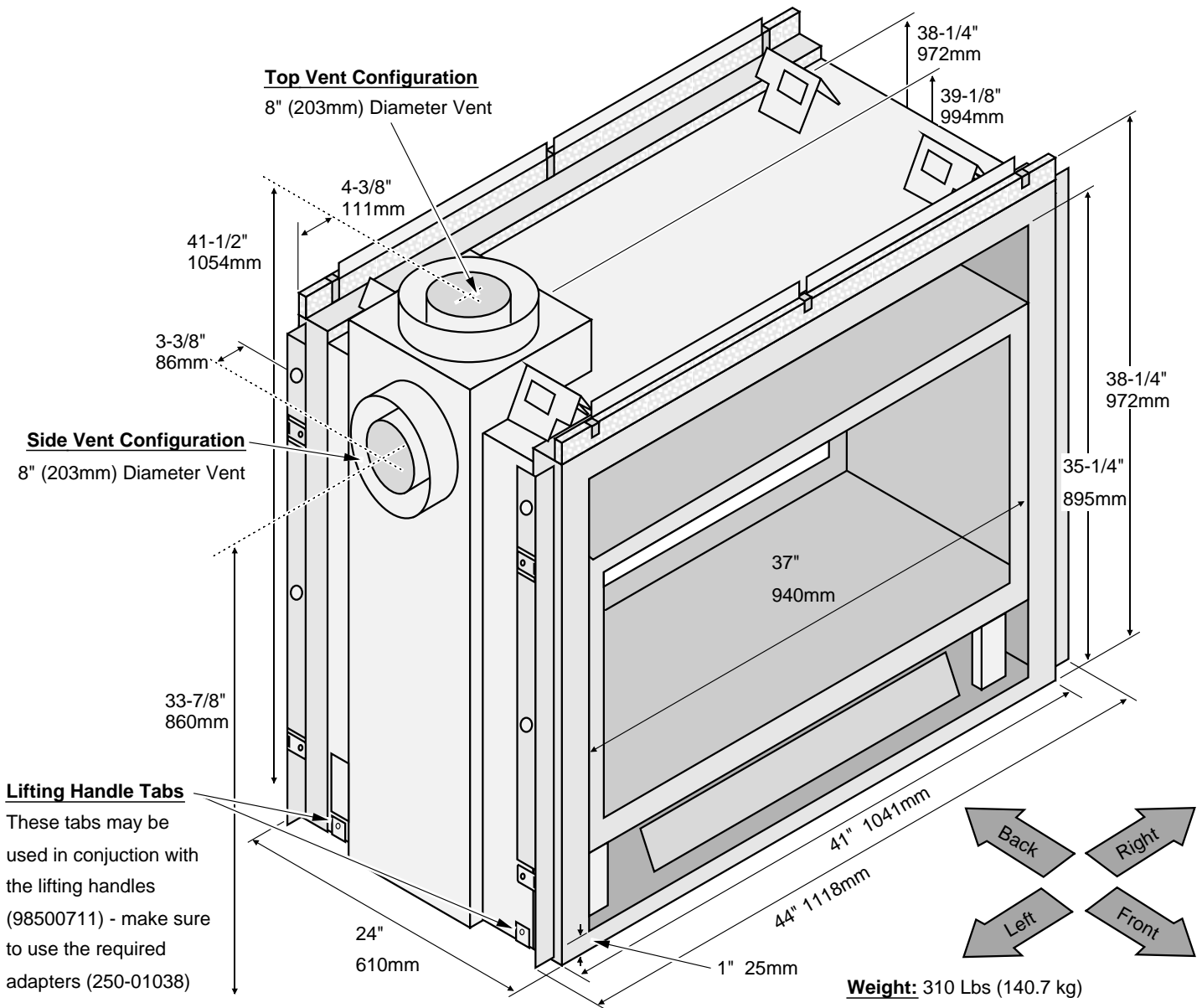
- Residential or Mobile Home
- Flush or Recessed Face
- Raised or Floor Placement
- Accent Lights
- Internal or External Chase
- Horizontal or Vertical Vent
- Bedroom Approved

Heating Specifications

	Natural Gas	Propane
Approximate Heating Capacity (in square feet)*	Up to 1,500 (139 sq. M)	Up to 1,500 (139 sq. M)
Maximum BTU Input Per Hour	37,500 (39.5 MJ)	37,500 (39.5 MJ)

* Heating capacity will vary with floor plan, insulation, and outside temperature.

Dimensions



Packing List

- Propane Conversion Kit
- Log Set
- Firestop (sku 93006094)
- Right Side Standoffs (2)
- Wall Switch, Cover Plate, and Wire
- 4 AA Batteries, 1 9-Volt Battery
- Insulation for Side Vent Conversion

Additional Items Required

- Direct Vent
- Gas Line Equipment (shutoff valve, pipe, etc.)
- Electrical Equipment (min. 14 gauge, grounded line)
- Two Grill Kits and/or Faces

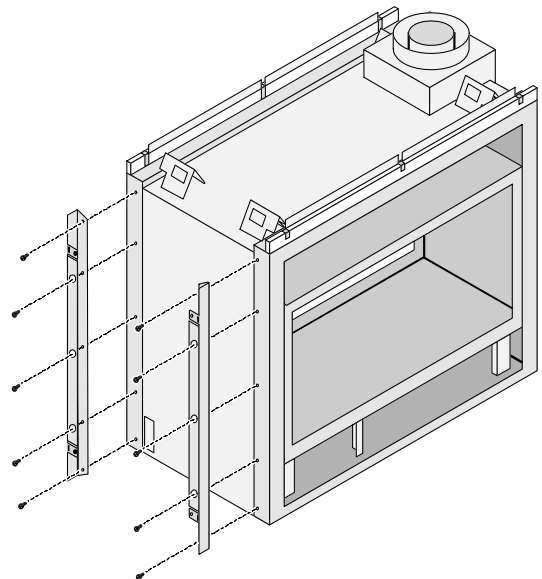
Recommended Installation Procedure

- Prepare the framing, making sure to leave the area around the fireplace open (see page 12). Make sure to allow for vent installation and facing depth.
- Place the fireplace into position.
- Install the vent, gas line and electrical hook-up.
- Finalize the framing around the fireplace.
- Secure the fireplace to the framing.
- Install the wall switch (see page 17) or thermostat (if applicable).
- Install the drywall.
- Install the hearth (if applicable).
- Install the facing (if applicable).
- Install the mantel (if applicable).
- Finalize the installation (see page 38) and install the grill or face.

Side Standoff Installation

The two right-side standoffs included with this fireplace are attached to the fireplace prior to placing the fireplace into position. These standoffs are not required for safety purposes. Their purpose is to center the fireplace in the framed opening. Attach the right side standoffs to the fireplace as shown below. Remove the five screws on the side of the fireplace, position the standoff, and secure.

NOTE: The side standoffs have obround holes that allow for the standoff to be adjusted for drywall of $\frac{1}{2}$ " (13mm) or $\frac{5}{8}$ " (18mm) thickness. See "Nailing Brackets" on page 13.



Framing Notes

The framing dimensions included in this installation manual have been revised to include the extra 1-1/2" (39mm) needed for the right standoffs to install correctly (44" (1118mm) width). If the fireplace opening has been framed to the dimensions listed in the previous version of the installation manual (42-1/2" (1080mm) width), the right side standoffs may be excluded. In this type of installation, the center of the glass will not be located in the center of the framed opening. The center of the glass will be $\frac{3}{4}$ " (19mm) from the center of the framing.

Massachusetts Requirements

NOTE: The following requirements reference various Massachusetts and national codes not contained in this document.

Requirements for the Commonwealth of Massachusetts

For all side wall horizontally vented gas fueled equipment installed in every dwelling, building or structure used in whole or in part for residential purposes, including those owned or operated by the Commonwealth and where the side wall exhaust vent termination is less than seven (7) feet above finished grade in the area of the venting, including but not limited to decks and porches, the following requirements shall be satisfied:

Installation of Carbon Monoxide Detectors

At the time of installation of the side wall horizontal vented gas fueled equipment, the installing plumber or gasfitter shall observe that a hard wired carbon monoxide detector with an alarm and battery back-up is installed on the floor level where the gas equipment is to be installed. In addition, the installing plumber or gasfitter shall observe that a battery operated or hard wired carbon monoxide detector with an alarm is installed on each additional level of the dwelling, building or structure served by the side wall horizontal vented gas fueled equipment. It shall be the responsibility of the property owner to secure the services of qualified licensed professionals for the installation of hard wired carbon monoxide detectors.

In the event that the side wall horizontally vented gas fueled equipment is installed in a crawl space or an attic, the hard wired carbon monoxide detector with alarm and battery back-up may be installed on the next adjacent floor level.

In the event that the requirements of this subdivision can not be met at the time of completion of installation, the owner shall have a period of thirty (30) days to comply with the above requirements; provided, however, that during said thirty (30) day period, a battery operated carbon monoxide detector with an alarm shall be installed.

Approved Carbon Monoxide Detectors

Each carbon monoxide detector as required in accordance with the above provisions shall comply with NFPA 720 and be ANSI/UL 2034 listed and IAS certified.

Signage

A metal or plastic identification plate shall be permanently mounted to the exterior of the building at a minimum height of eight (8) feet above grade directly in line with the exhaust vent terminal for the horizontally vented gas fueled heating appliance or equipment. The sign shall read, in print size no less than one-half (1/2) inch in size, "GAS VENT DIRECTLY BELOW. KEEP CLEAR OF ALL OBSTRUCTIONS".

Inspection

The state or local gas inspector of the side wall horizontally vented gas fueled equipment shall not approve the installation unless, upon inspection, the inspector observes carbon monoxide detectors and signage installed in accordance with the provisions of 248 CMR 5.08(2)(a)1 through 4.

Exemptions

The following equipment is exempt from 248 CMR 5.08(2)(a)1 through 4:

- The equipment listed in Chapter 10 entitled "Equipment Not Required To Be Vented" in the most current edition of NFPA 54 as adopted by the Board; and
- Product Approved side wall horizontally vented gas fueled equipment installed in a room or structure separate from the dwelling, building or structure used in whole or in part for residential purposes.

MANUFACTURER REQUIREMENTS**Gas Equipment Venting System Provided**

When the manufacturer of Product Approved side wall horizontally vented gas equipment provides a venting system design or venting system components with the equipment, the instructions provided by the manufacturer for installation of the equipment and the venting system shall include:

- Detailed instructions for the installation of the venting system design or the venting system components; and
- A complete parts list for the venting system design or venting system.

Gas Equipment Venting System NOT Provided

When the manufacturer of a Product Approved side wall horizontally vented gas fueled equipment does not provide the parts for venting the flue gases, but identifies "special venting systems", the following requirements shall be satisfied by the manufacturer:

- The referenced "special venting system" instructions shall be included with the appliance or equipment installation instructions; and
- The "special venting systems" shall be Product Approved by the Board, and the instructions for that system shall include a parts list and detailed installation instructions.

A copy of all installation instructions for all Product Approved side wall horizontally vented gas fueled equipment, all venting instructions, all parts lists for venting instructions, and/or all venting design instructions shall remain with the appliance or equipment at the completion of the installation.

See Gas Connection section for additional Commonwealth of Massachusetts requirements.

Top Vent or Side Vent Configuration

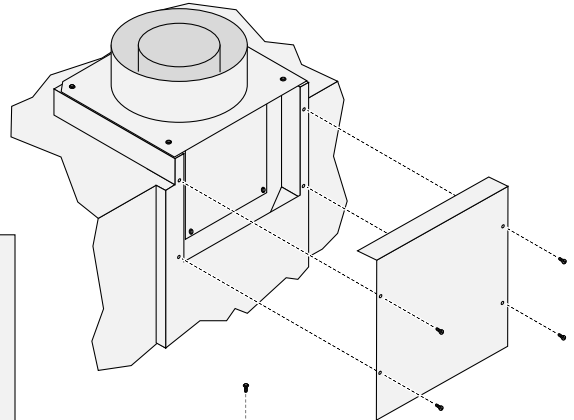
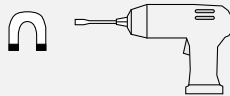
This appliance is shipped in the top vent configuration. To change to the side vent configuration, follow the directions below.

NOTE: the vent configuration affects several aspects of installation (framing, maximum vent rise, maximum vent run). Make sure the vent configuration is correct prior to installation. You may wish to configure the diffuser when changing the vent configuration.

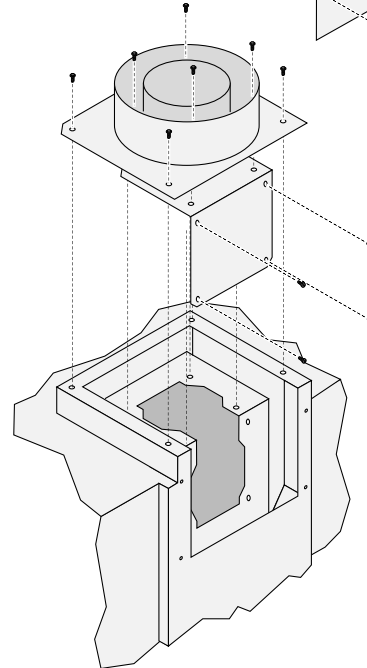
Converting the Fireplace to Side Vent Configuration

Remove the back plate on the fireplace.

NOTE: Use a magnetic-tipped nutdriver on these screws - take care to prevent the screws from falling into the fireplace.

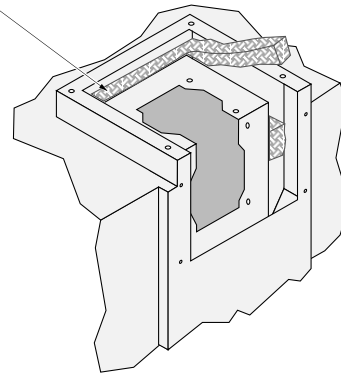


Remove the flue assembly.



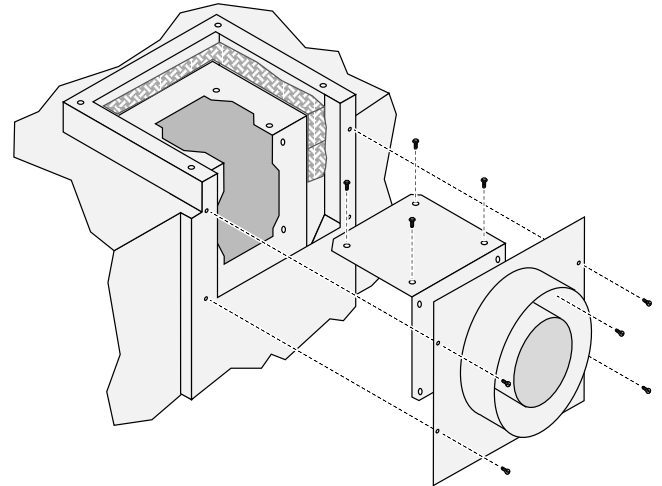
Tuck the two **24" (610mm)** pieces of insulation into the area between the exhaust manifold and fireplace can.

WARNING: Failure to properly place the insulation will void the warranty and create a safety hazard.

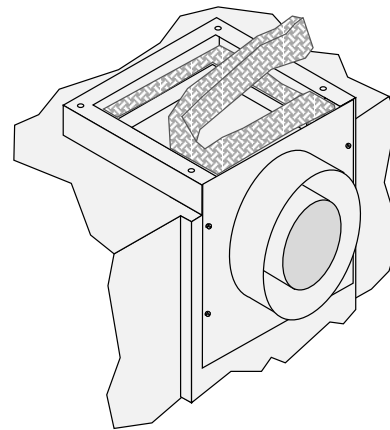


Converting the Fireplace to Side Vent (continued)

Re-attach the flue assembly
in the side position.

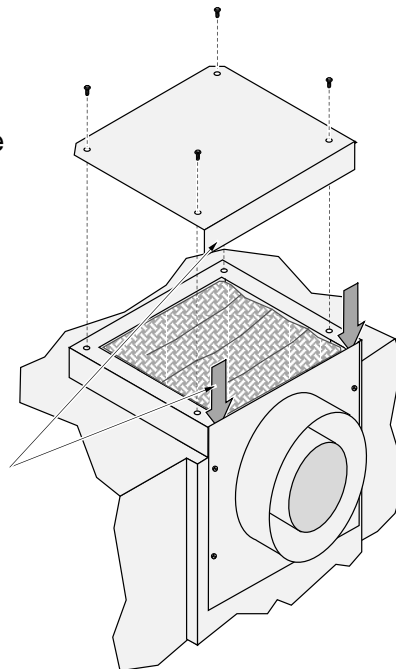


Tuck the two **20" (508mm)** pieces of insulation into the area above the exhaust manifold and fireplace can. Note how the insulation is folded in half and covers the entire area above the exhaust manifold (see illustration below).



WARNING: Failure to properly place the insulation will void the warranty and create a safety hazard.

Re-attach the back plate to the
top of the fireplace.



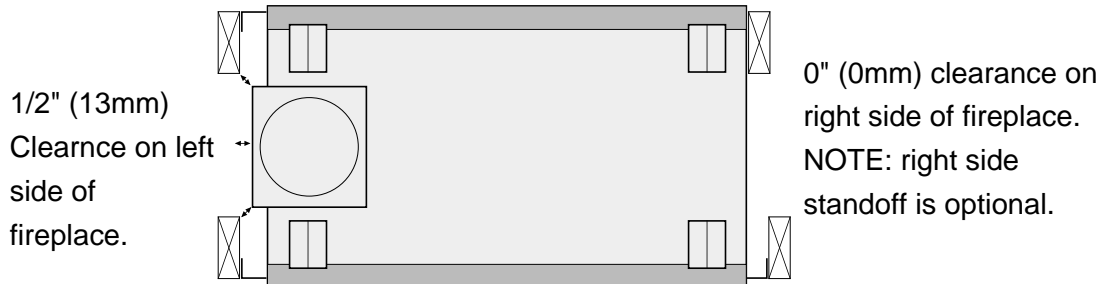
NOTE: Make sure the flange on the back plate tucks between the fireplace and the flue assembly.

Fireplace Placement Requirements

- Fireplace must be installed on a level surface capable of supporting the fireplace and vent.
- Fireplace must be placed directly on wood or non-combustible surface (not on linoleum or carpet).
- This heater may be placed in a bedroom. Please be aware of the large amount of heat this appliance produces when determining a location.
- Fireplace must be installed in a room with a minimum ceiling height of 84" (2134mm).

Clearances

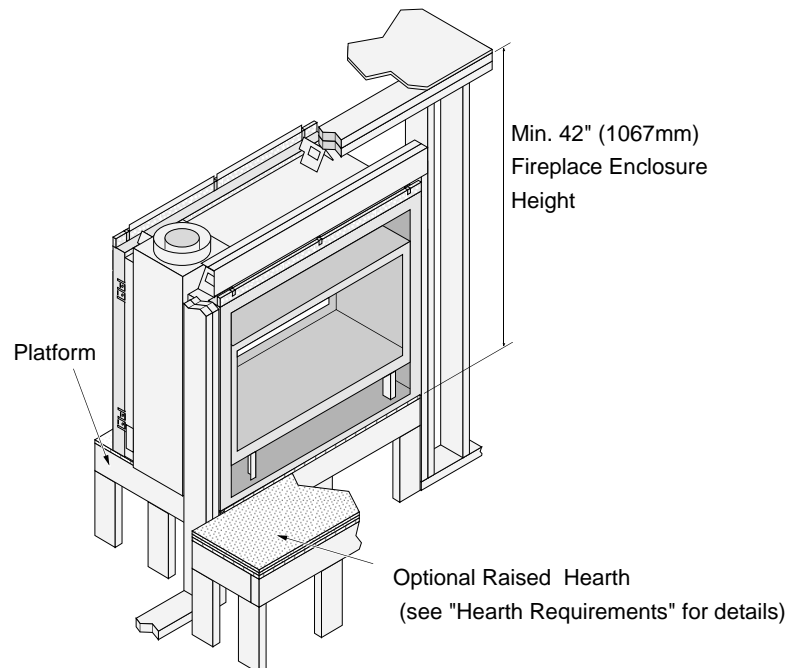
- The fireplace requires a 1/2" (13mm) clearance from the left side of the fireplace to the framing members. No material (insulation, framing, etc.) may be placed into this area.



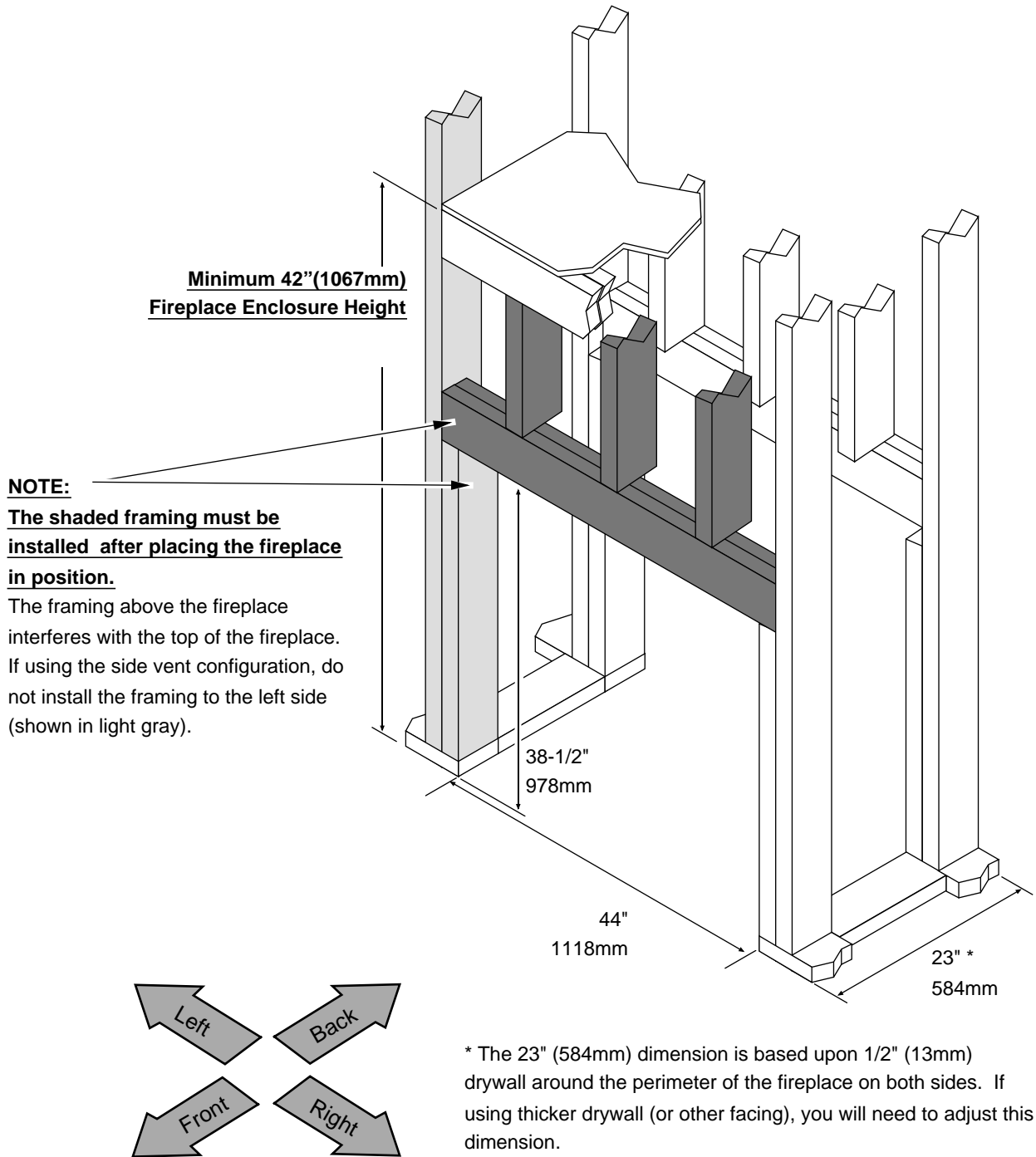
- When installed, walls in front of the fireplace must be a minimum 1" (25mm) to the side of the fireplace (3-1/4" 83mm from the glass frame).
- Due to the high temperature, the heater should be located out of traffic and away from furniture and draperies.
- Fireplace must be placed so the vents below and above the glass do not become blocked.

Raised Fireplaces

- The fireplace (and hearth, if desired) may be placed on a platform designed to support the fireplace (310 Lbs. 140.7 Kg) and vent.

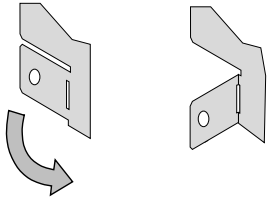


Minimum Framing Dimensions – Top or Side Vent Configuration



Nailing Brackets

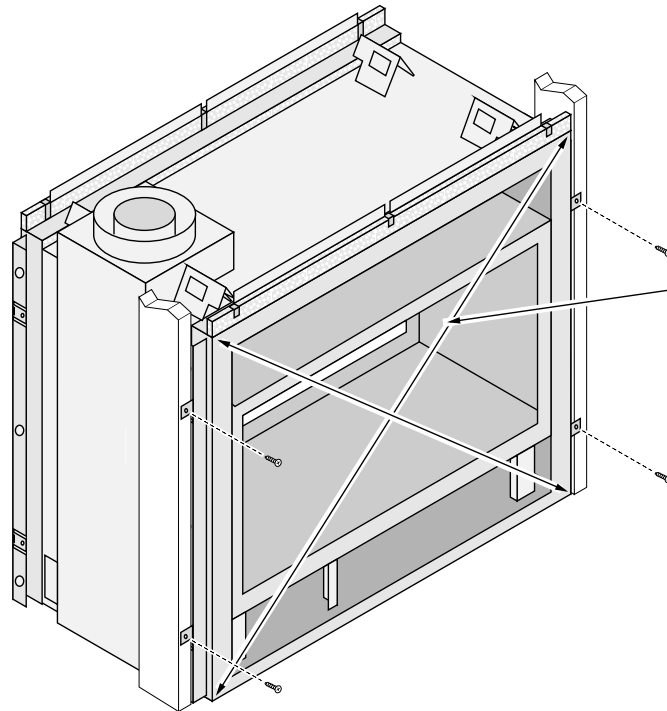
There are eight nailing brackets on the front and back of the fireplace. Bend the tabs out to position the nailing brackets. Once in place, nail or screw the nailing brackets to the framing.



NOTE: Additional nailing brackets are provided along the base of the fireplace. Use these brackets if not using the front brackets.

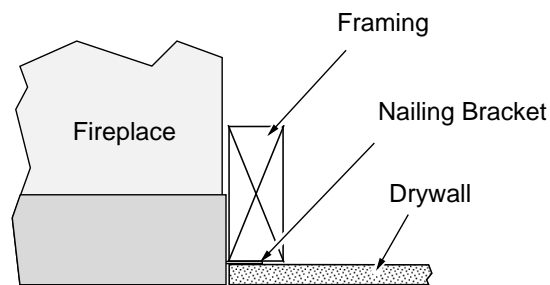
NOTE: The side standoffs have obround holes that allow for the standoff to be adjusted for drywall of 1/2" or 5/8".

NOTE: You may need to bend the tabs out on one side then slide the fireplace out to bend the tabs out on the opposite side



WARNING: Make sure the fireplace is square and plumb when placed in the framing. Measured corner-to-corner, the fireplace should be square (approx. 54-7/8" or 1394mm for each dimension). Use shims to insure the fireplace is square.

TOP VIEW



Gas Line Requirements

MASSACHUSETTS INSTALLATIONS - **WARNING:**

THIS PRODUCT MUST BE INSTALLED BY A LICENSED PLUMBER OR GAS FITTER WHEN INSTALLED WITHIN THE COMMONWEALTH OF MASSACHUSETTS.

OTHER MASSACHUSETTS CODE REQUIREMENTS:

- Flexible connector must not be longer than 36 inches.
- Shutoff valve must be a "T" handle gas cock.
- Only direct vent sealed combustion products are approved for bedrooms or bathrooms.
- Fireplace dampers must be removed or welded in the open position prior to the installation of a fireplace insert or gas log.
- A carbon monoxide (CO) detector is required in the same room as the appliance.
- The gas line must be installed in accordance with all local codes, if any; if not, follow ANSI 223.1 and the requirements listed below.
- The fireplace and gas control valve must be disconnected from the gas supply piping during any pressure testing of that system at test pressures in excess of 1/2 psig (3.5 kPA). For pressures under 1/2 psig (kPA), isolate the gas supply piping by closing the manual shutoff valve.
- Leak test all gas line joints and the gas control valve prior to and after starting the fireplace.

Fuel

- This fireplace is designed either for natural gas or for propane (but not for both). Check the sticker on the top of the gas control valve to make sure the correct fuel is used.

Gas Line Connection

- Installation must be performed by a qualified installer, service agency or the gas supplier (In Massachusetts a licensed plumber/gasfitter).

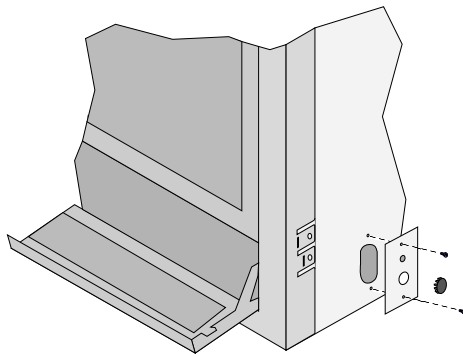
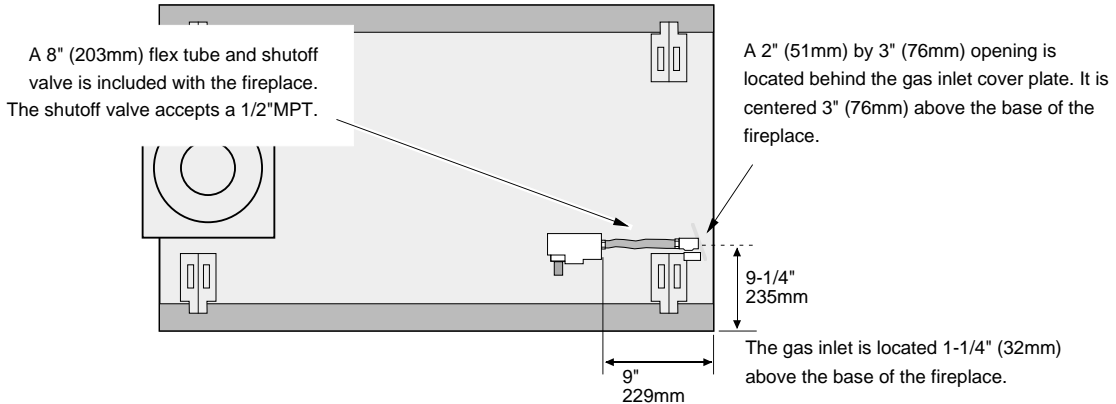
Gas Inlet Pressure

	Standard Input Pressure
Natural Gas	7" W.C. (1.74 kPA)
Propane	13" W.C. (2.73 kPA)

- If the pressure is not sufficient, make sure the piping used is large enough, the supply regulator is adequately adjusted, and the total gas load for the residence does not exceed the amount supplied.
- The supply regulator (the regulator that attaches directly to the residence inlet or to the propane tank) should supply gas at the suggested input pressure listed above. Contact the local gas supplier if the regulator is at an improper pressure.

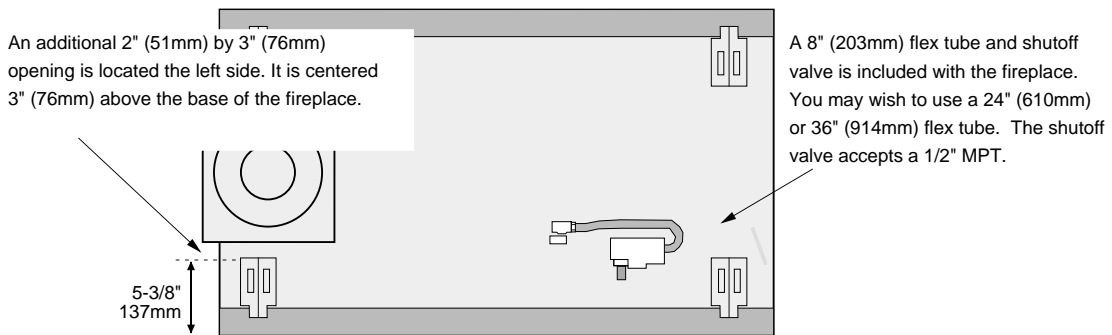
Gas Line Location

Right Side Gas Inlet (preferred)

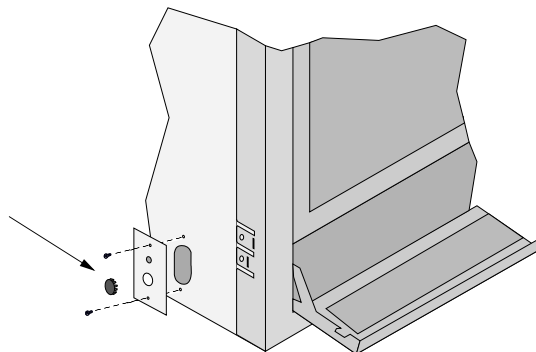


You may remove this cover plate to install the gas line. The cover plate has a 7/8" (22.2mm) diameter hole (covered with a push plug) in line with the gas inlet on the gas control valve. By rotating the plate 180° the hole may be re-located. You may also secure the plate in a customized location using the self-drilling screws.

Left Side Gas Inlet



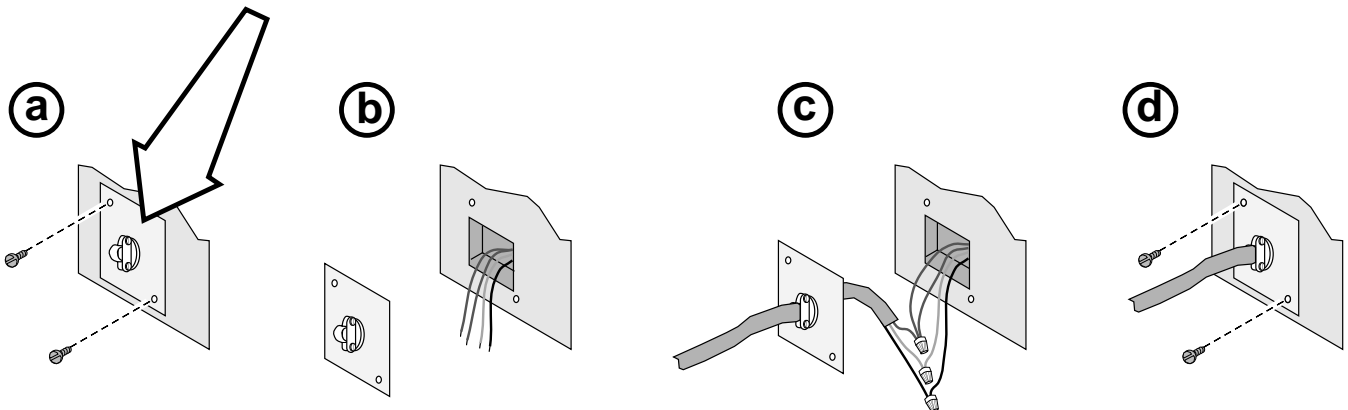
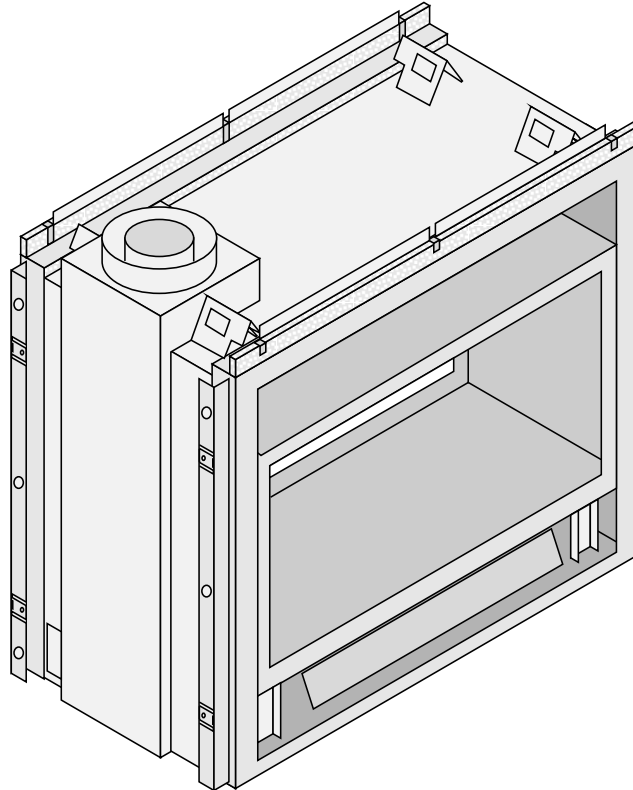
You may remove this cover plate to install the gas line. The cover plate has a 7/8" (22.2mm) diameter hole (covered with a push plug) in line with the gas inlet on the gas control valve. By rotating the plate 180° the hole may be re-located. You may also secure the plate in a customized location using the self-drilling screws.



Electrical Connection (required)

- The electrical line to the grounded receptacle inside the fireplace must be installed by a qualified installer and must meet all local codes.
- Make sure the household breaker is shut off prior to working on any electrical lines.
- The appliance, when installed, must be electrically grounded in accordance with local codes or, in the absence of local codes, with the National Electrical Code, ANSI/NFPA 70, or the Canadian Electrical Code, CSA C22.1.
- The electrical line must be a min. 14 gauge, and supply 120 Volts at 60 Hz (2 Amps).

Caution: Label all wires prior to disconnection when servicing controls. Wiring errors can cause improper and dangerous operation.



Optional Wall Switch or Thermostat Installation



Do not connect 110-120 VAC to the gas control valve or wiring system of this fireplace. The switch and wiring must be installed by a qualified installer.

This fireplace includes an optional wall switch (with wire) to operate the fireplace burner without accessing the internal on/off switch. A thermostat may be used instead.

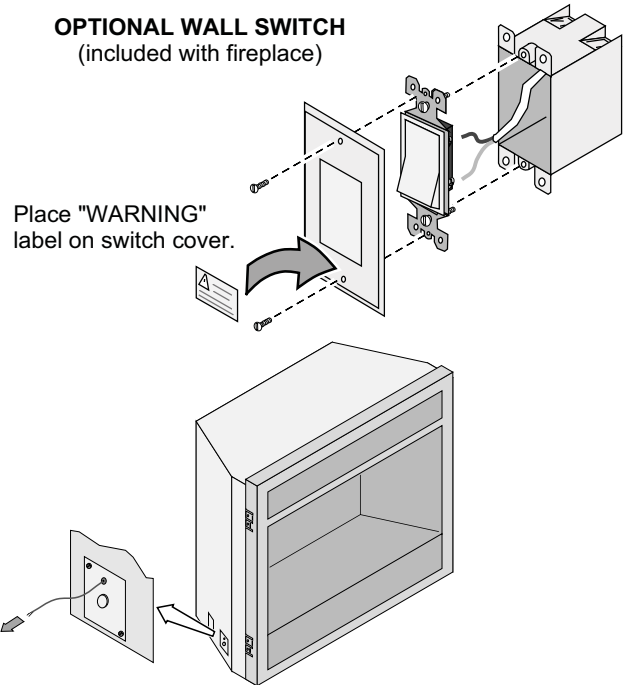
Route the wire from inside the fireplace, through the grommet on either side of the fireplace near the gas inlet (see at right) to the switch. The wall switch (or thermostat) may bypass the fireplace on/off switch or be installed in parallel or series configuration (see below).

Caution: Label all wires prior to disconnection when servicing controls. Wiring errors can cause improper and dangerous operation.

Note: When using a GreenSmart™ remote, use the receiver for on/off operation (do not use a wall switch or thermostat).

Warning: Make sure all wiring is secure and does not contact hot or moving components.

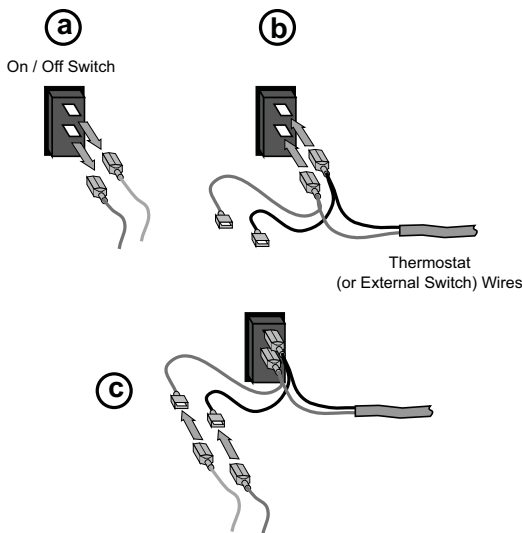
OPTIONAL WALL SWITCH (included with fireplace)



Parallel Connection

	On / Off Switch ON	On / Off Switch OFF
Thermostat / External Switch ON	Heater is ON	Heater is ON
Thermostat / External Switch OFF	Heater is ON	Heater is OFF

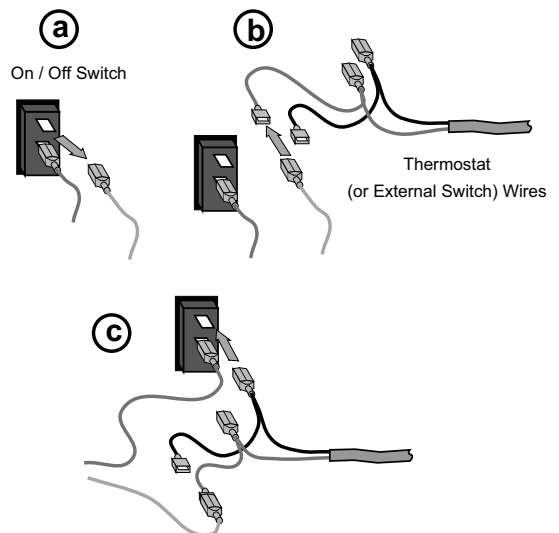
To wire the heater in parallel, follow the directions below:



Series Connection

	On / Off Switch ON	On / Off Switch OFF
Thermostat / External Switch ON	Heater is ON	Heater is OFF
Thermostat / External Switch OFF	Heater is OFF	Heater is OFF

To wire the heater in series, follow the directions below:



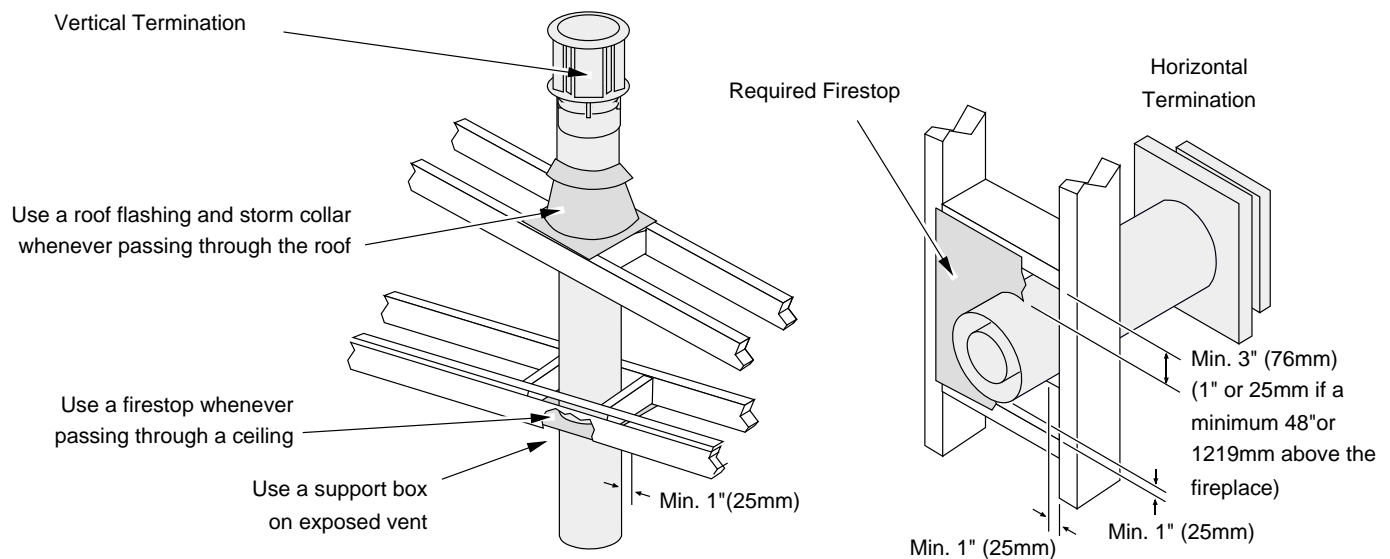
Vent Requirements

- The gas appliance and vent system must be vented directly to the outside of the building, and never be attached to a chimney serving a separate solid fuel or gas-burning appliance. Each direct vent gas appliance must use its own separate vent system.
- In addition to the requirements listed here, follow the requirements provided with the vent.
- A firestop is required whenever the vent penetrates a wall, floor, or ceiling (passes through framing members). Horizontal vent less than 48" (1219mm) above the fireplace must use the Travis Firestop (sku 93006094 - it incorporates a 3" (76mm) clearance above, 1" (25mm) clearance below and to the sides of the vent). Other penetrations only require a 1" (25mm) clearance and may use a standard firestop (make sure the required 1" (25mm) clearance is met).

Vent Clearances

- The vent must maintain the required clearance to combustibles to prevent a fire. Do not fill air spaces with insulation.

	Before 48" (1219mm) Rise	After 48" (1219mm) Rise
Sides	1" (25mm)	1" (25mm)
Above	3" (76mm)	1" (25mm)
Below Horizontal or 45° Section	1" (25mm)	1" (25mm)



Altitude Considerations

- This heater has been tested at altitudes ranging from sea level to 6,000 feet (1800 M). In this testing we have found that the heater, with its standard orifice, burns correctly with just an air shutter adjustment.
- Failure to adjust the air shutter properly may lead to improper combustion which can create a safety hazard. Consult your dealer or installer if you suspect an improperly adjusted air shutter.

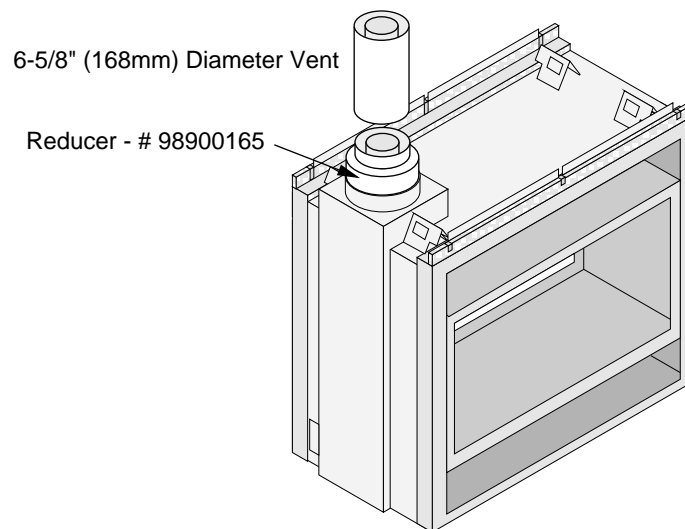
Approved Vent

- Side vent configurations use 8" (203mm) diameter Simpson Dura-Vent Model Direct-Vent Pro (or GS)*.
- Top vent configurations use 8" (203mm) or 6-5/8" (168mm) diameter Simpson Dura-Vent Direct-Vent Pro (or GS)*. If using 6-5/8" (168mm) diameter vent, attach the 8" (203mm) to 6-5/8" (168mm) reducer (Travis part # 98900165) to the fireplace.

NOTE: When using 6-5/8" (168mm) diameter vent, make sure to accommodate the 3" (76mm) clearance above the vent for the first 48" (1219mm) of rise (see vent clearances on page 18). Standard firestops do not include this clearance.

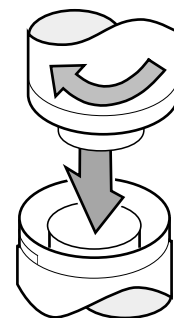
* Other vent may be approved with this fireplace. Check with the vent manufacturer for details.

- Always use the high-wind cap (or high-wind sconce cap, part # 58DVA-HSCH or 46DVA-HSCH).
- Installation instructions for Simpson Dura-Vent may be found at www.duravent.com



Vent Installation

- Slide the vent sections together and turn 1/4 turn until the sections lock in place.
- Screws are not required to secure the vent. However, three screws may be used to secure vent sections together if desired.
- High temperature sealant is recommended at the appliance starter section connection (use high-temperature silicone or Mill-Pac®).
- If disassembly is required, at time of re-assembly check to see if the vent creates a tight fit. If it does not, apply high temperature sealant to the joints of the affected sections.
- Horizontal sections require a 1/4" (6mm) rise every 12" (305mm) of travel
- Horizontal sections require non-combustible support every three feet (e.g.: plumbing tape)



Approved Vent Configurations

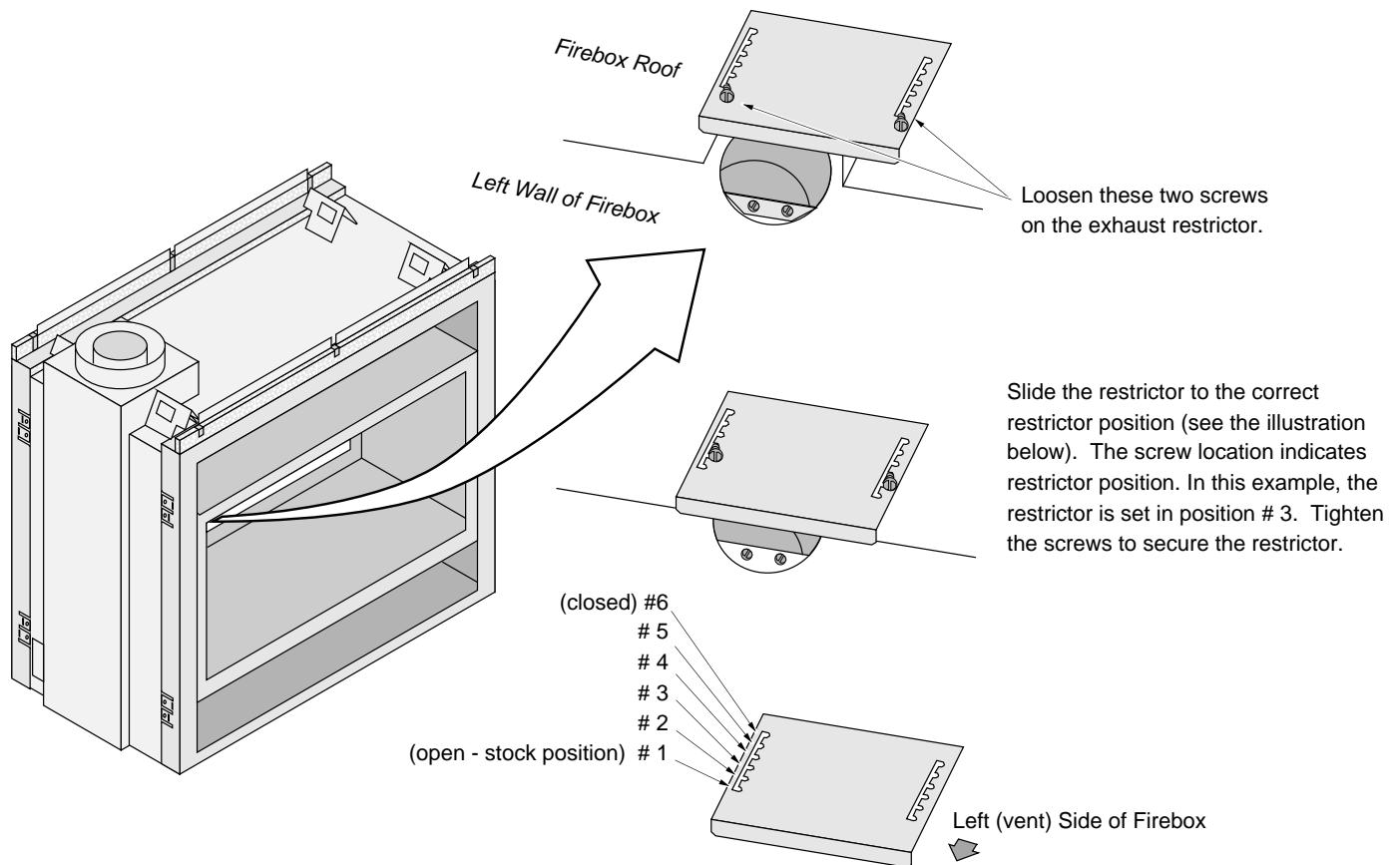
Restrictor Position

- Intake and exhaust restrictors are built into the appliance to adjust the flow rate of intake air and exhaust gases. Depending upon the vent configuration, you may be required to adjust the restrictor positions. The charts for acceptable vent configurations detail the correct vent restrictor positions.

Exhaust Restrictor Adjustment

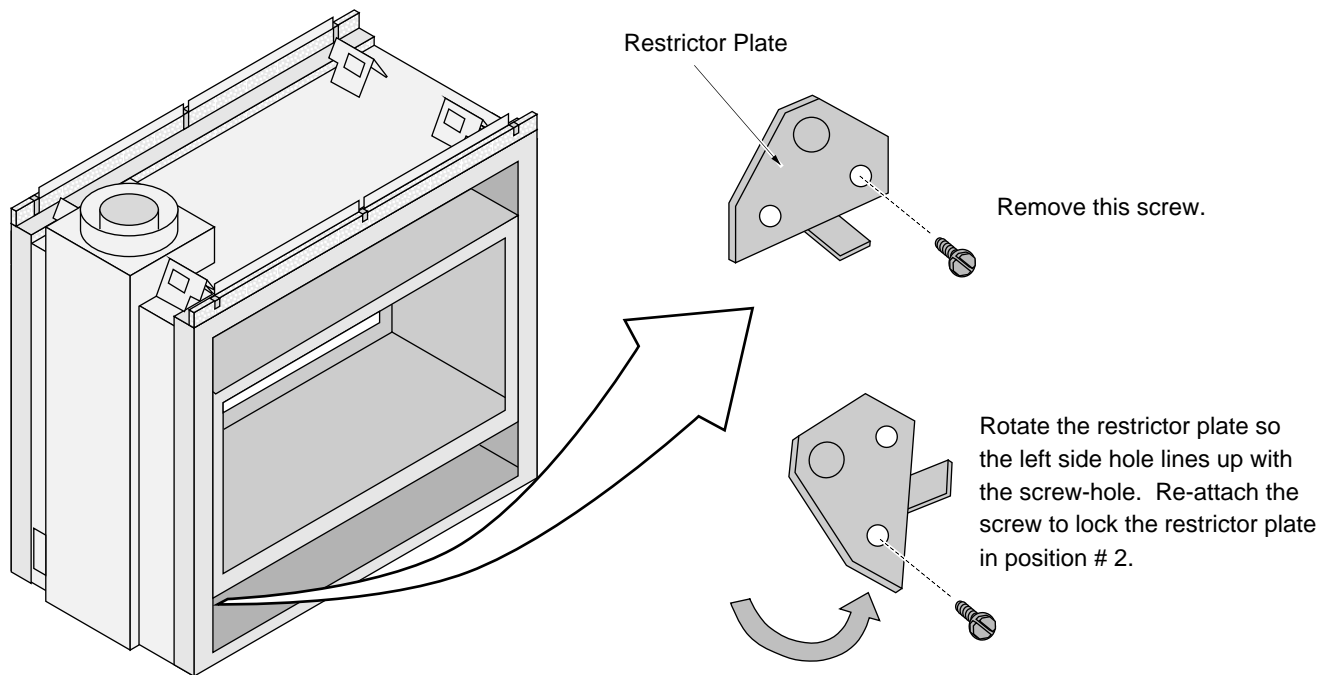


If the diffuser is required to be in position # 2, you may wish to adjust the diffuser while the exhaust restrictor is removed.



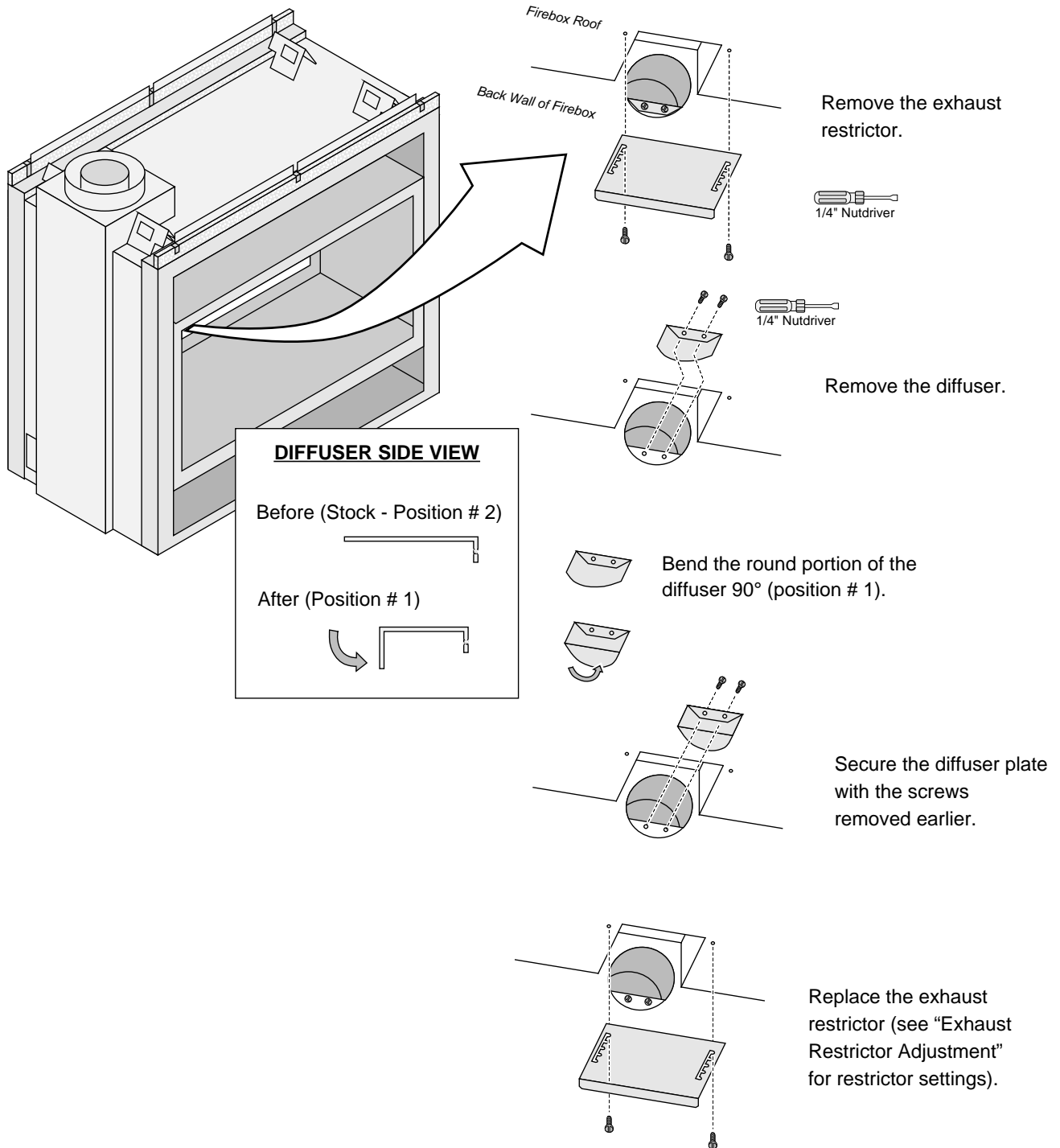
Intake Restrictor Adjustment

The intake restrictor is shipped in position # 1 (open). To adjust the restrictor to position # 2 (closed), follow the directions below.



Diffuser Plate Adjustment

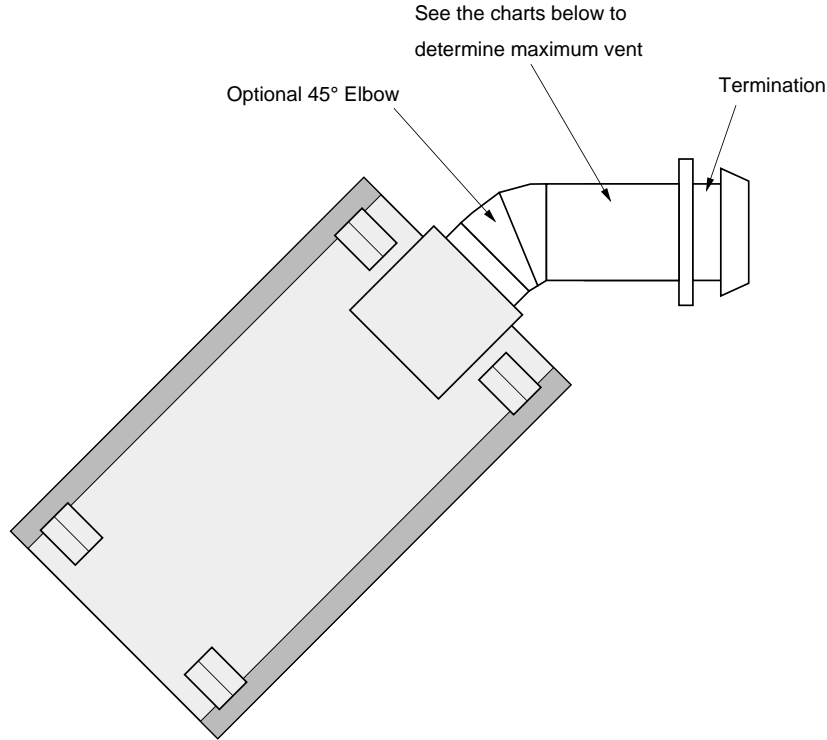
Certain vent configurations require the diffuser plate to be adjusted (refer to the approved vent configuration charts for details). See the directions below to change the diffuser to position.



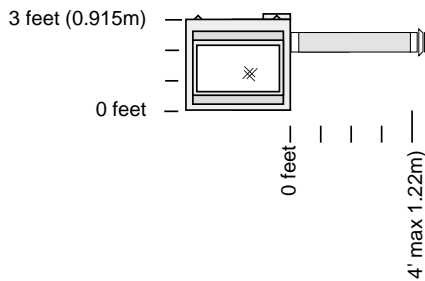
Side Vent Configuration with Horizontal Termination (no vertical rise)

- The termination must fall within the shaded area shown in the chart. Use the indicated restrictor and diffuser positions.

HINT: Travis Industries provides a minimum vent kit (sku 98900168). It includes a 4" (102mm) section and a horizontal termination cap.



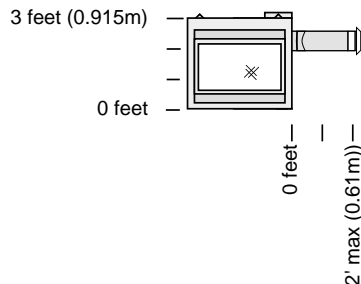
Vent with No 45° Elbow



- Exhaust Restrictor # 1 (stock)
- Intake Restrictor # 1 (stock)
- Diffuser Position # 1

- Min. 4" (102mm) Horizontal Section
- Max. 48" (1219mm) Horizontal Section(s)

Vent with 1 45° Elbow

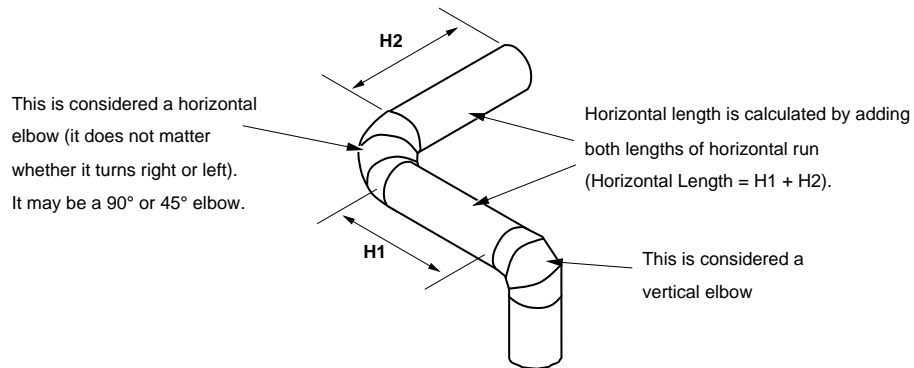
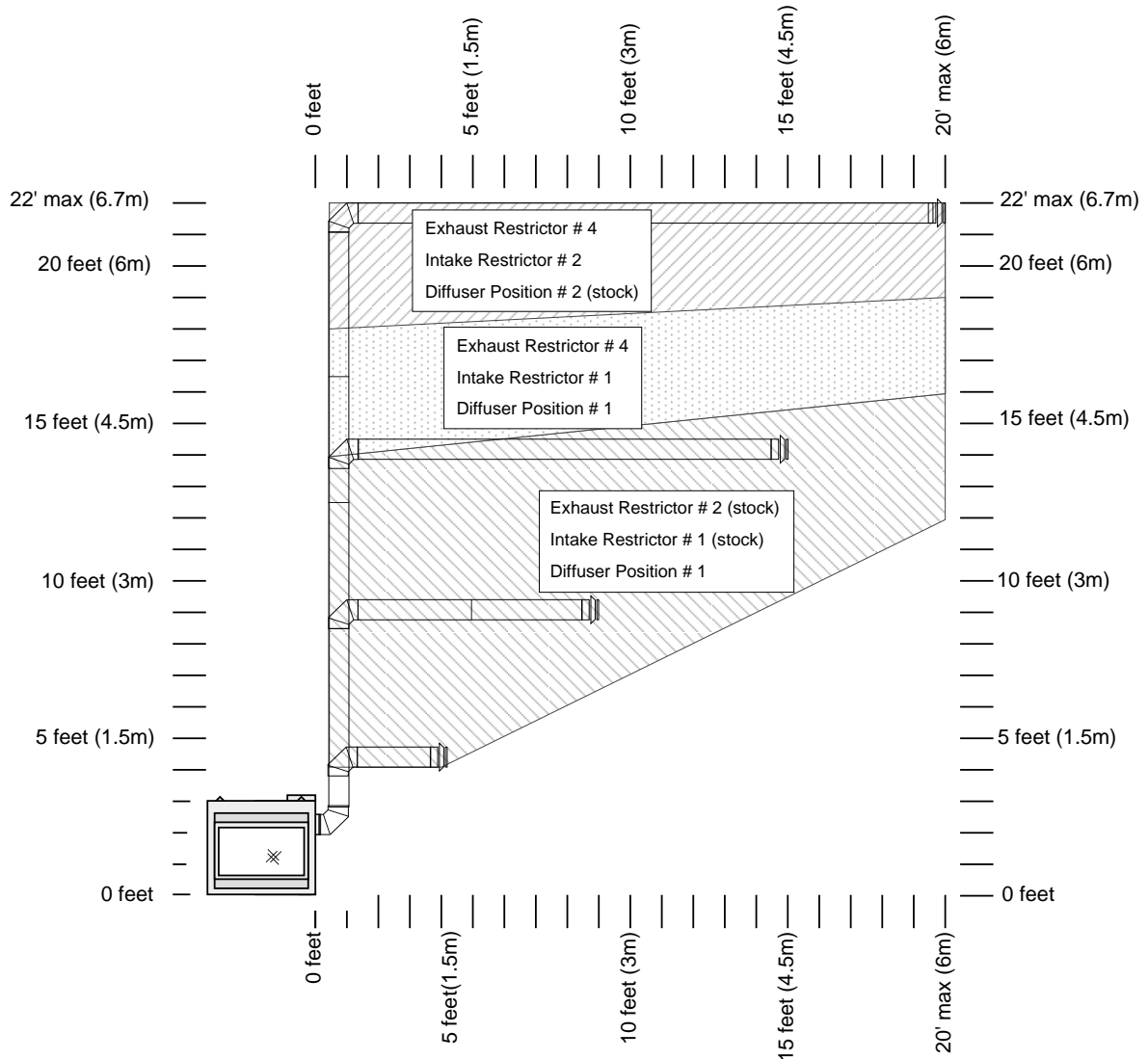


- Exhaust Restrictor # 1 (stock)
- Intake Restrictor # 1 (stock)
- Diffuser Position # 1

- Min. 4" (102mm) Horizontal Section
- Max. 24" (610mm) Horizontal Section(s)

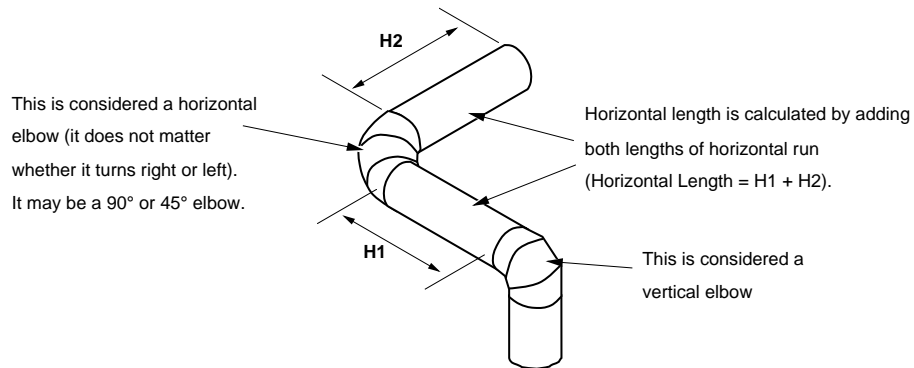
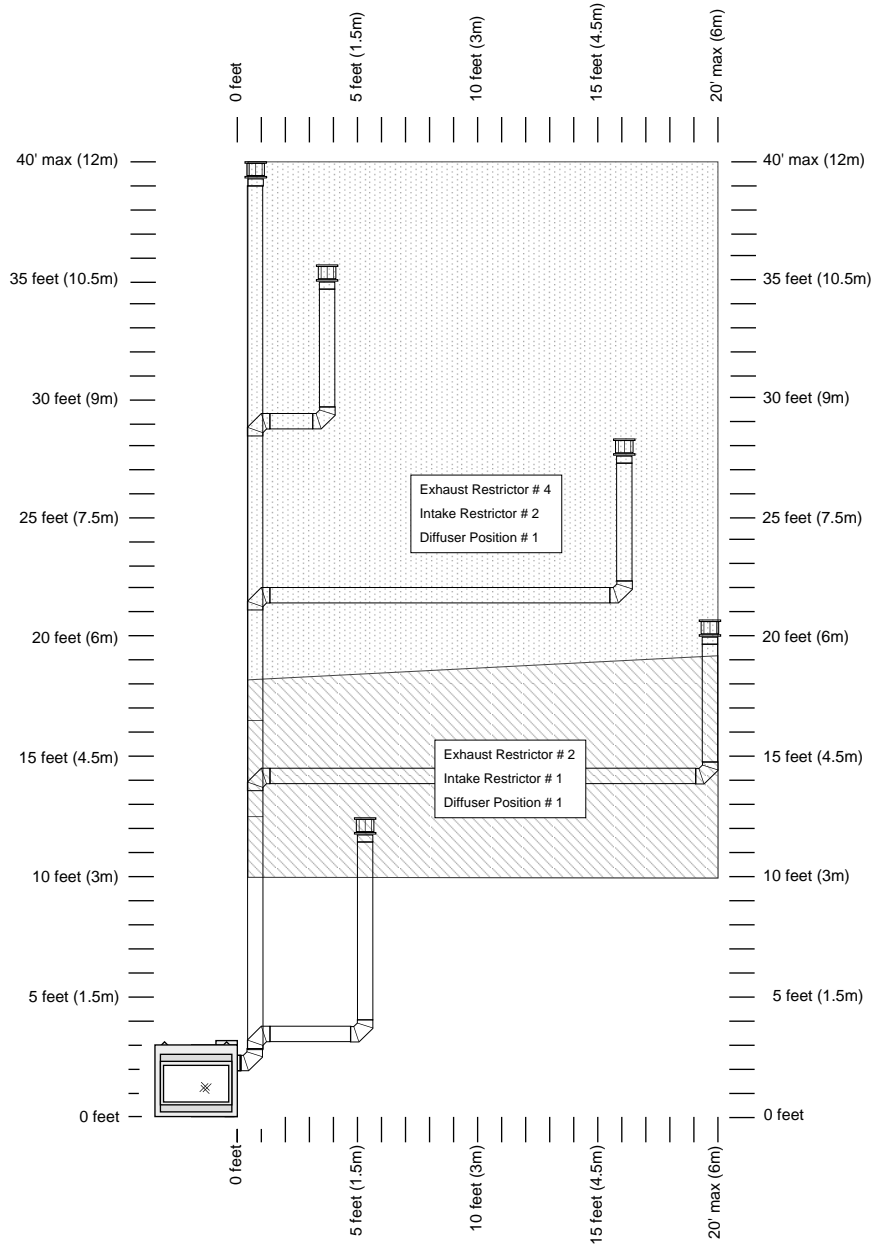
Side Vent Configuration with Horizontal Termination (with vertical rise)

- The termination must fall within the shaded area shown in the chart. Use the indicated restrictor and diffuser positions.
- Up to four elbows (45° or 90°) may be used.
- Only one horizontal elbow may be used.



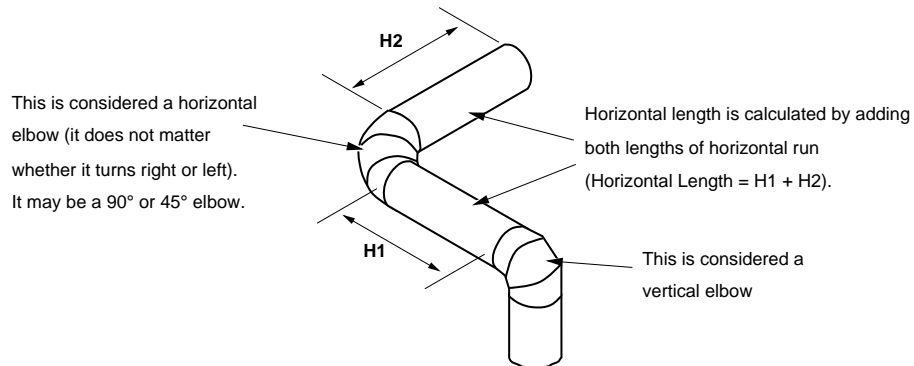
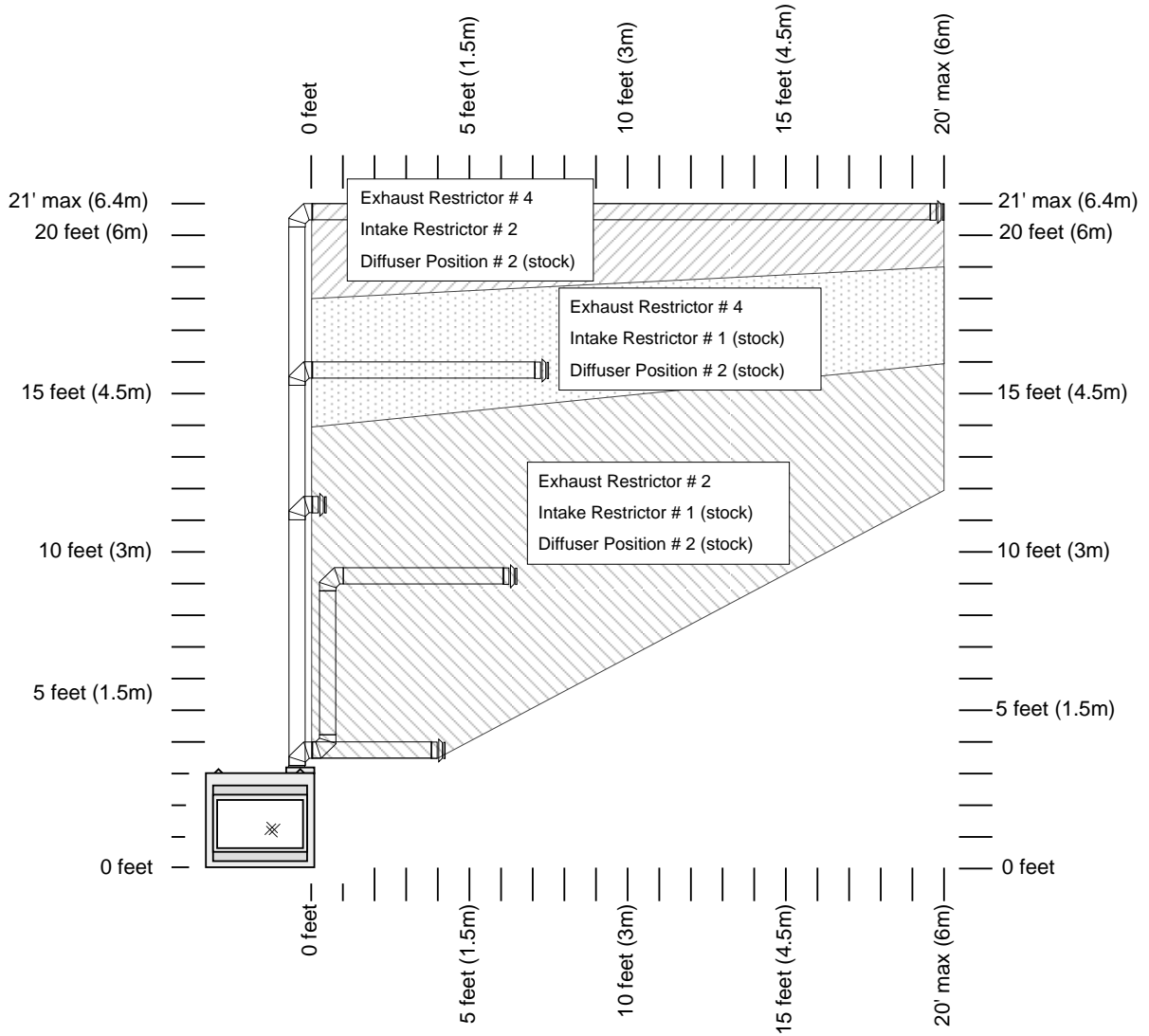
Side Vent Configuration with Vertical Termination

- The termination must fall within the shaded area shown in the chart. Use the indicated restrictor and diffuser positions.
- Up to four elbows (45° or 90°) may be used.
- Only one horizontal elbow may be used.



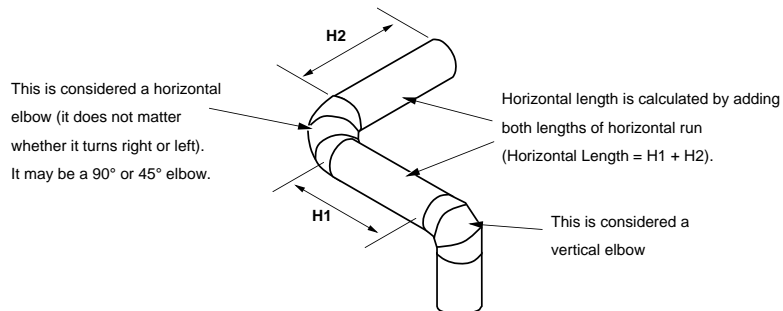
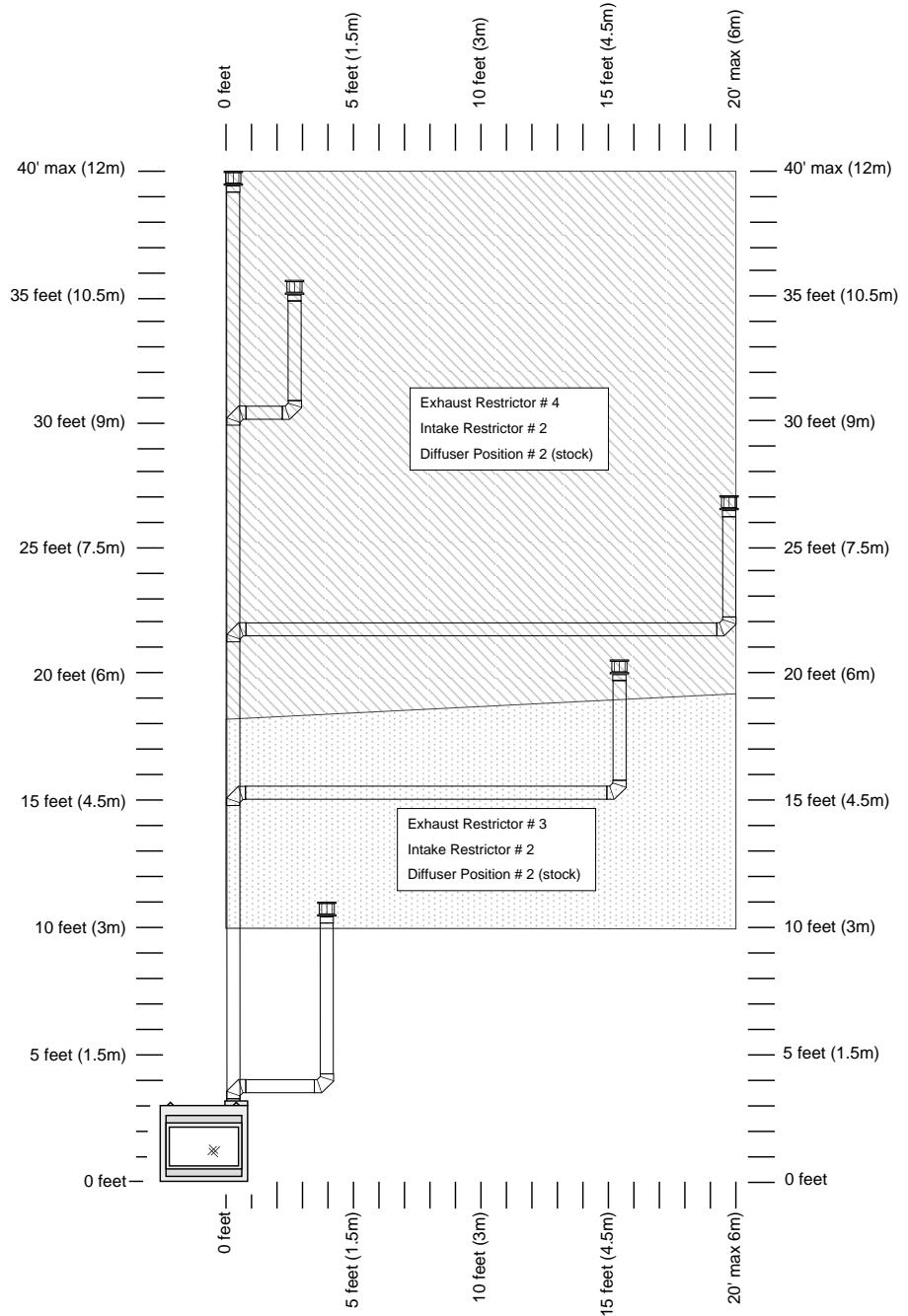
Top Vent Configuration with Horizontal Termination

- The termination must fall within the shaded area shown in the chart. Use the indicated restrictor and diffuser positions.
- Up to four elbows (45° or 90°) may be used.
- May use 8" (203mm) or 6-5/8" (168mm) diameter vent (see page for 18 details).
- Only one horizontal elbow may be used.



Top Vent Configuration with Vertical Termination

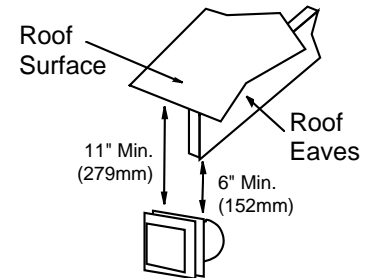
- The termination must fall within the shaded area shown in the chart. Use the indicated restrictor and diffuser positions.
- Up to four elbows (45° or 90°) may be used.
- Only one horizontal elbow may be used.
- May use 8" (203mm) or 6-5/8" (168mm) diameter vent (see page for 18 details).



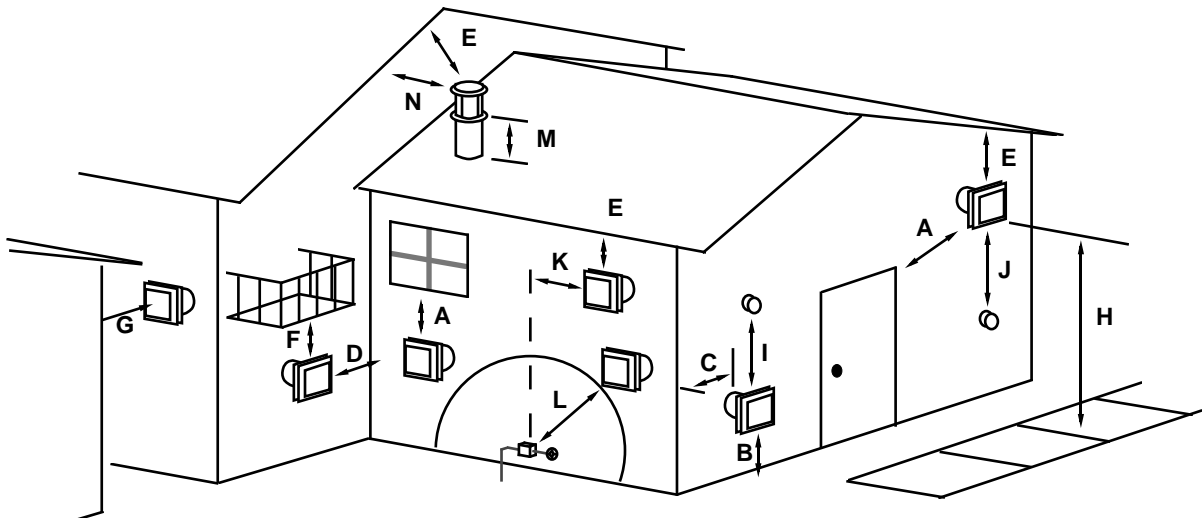
Termination Requirements

! Venting terminals shall not be recessed into a wall or siding.

- A Minimum 9" (229mm) clearance from any door or window
- B Minimum 12" (305mm) above any grade, veranda, porch, deck or balcony
- C Minimum 3-3/8" (86mm) from outside corner walls
NOTE: Clearance in accordance with local installation codes and the requirements of the gas supplier.
- D Minimum 12" (305mm) from inside corner walls
NOTE: Clearance in accordance with local installation codes and the requirements of the gas supplier.



- E Minimum 11" (279mm) clearance below unventilated soffits or roof surfaces
Minimum 18" (457mm) clearance below ventilated soffits
Minimum 6" (152mm) clearance below roof eaves
NOTE: Vinyl surfaces require 24" (610mm)
NOTE: Clearance in accordance with local installation codes and the requirements of the gas supplier.
- F Minimum 12" (305mm) clearance below a veranda, porch, deck or balcony
NOTE: Permitted only if veranda, porch, deck, or balcony is fully open on a minimum of two sides beneath the floor.
NOTE: Clearance in accordance with local installation codes and the requirements of the gas supplier.
- G Minimum 48" (1219mm) clearance from any adjacent building
- H Minimum 84" (2134mm) clearance above any grade when adjacent to public walkways or driveways
NOTE: may not be used over a walkway or driveway shared by an adjacent building
- I Minimum 9" (229mm) clearance to any non-mechanical air supply inlet to the building or the combustion air inlet to any other appliance.
- J Minimum 36" (914mm) clearance above any mechanical air supply inlet if within 10' (3M) horizontally
- K Minimum 36" (914mm) from the area above the meter/regulator (vent outlet) - this extends 15' (4.5M) above the regulator
NOTE: Clearance in accordance with local installation codes and the requirements of the gas supplier.
- L Minimum 36" (914mm) from the meter/regulator (vent outlet)
NOTE: Clearance in accordance with local installation codes and the requirements of the gas supplier.
- M Minimum 12" (305mm) above the roof line (for vertical terminations)
- N Minimum 24" (610mm) horizontal clearance to any surface (such as an exterior wall) – for vertical terminations

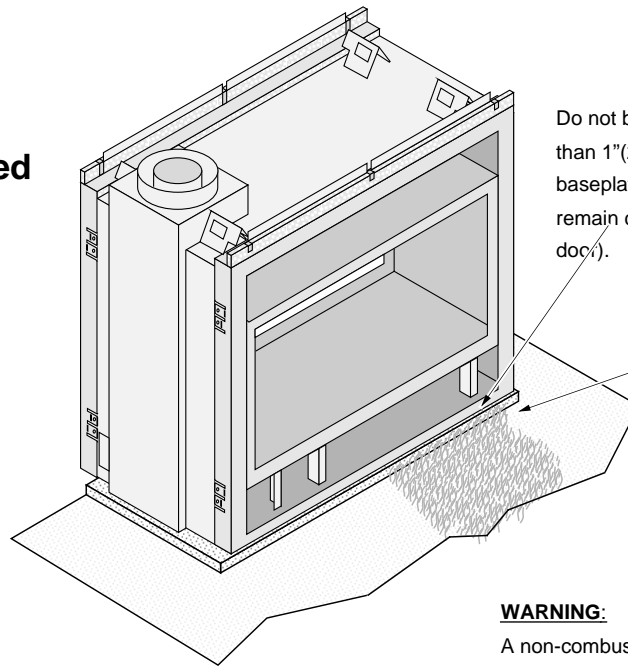


NOTE: Measure clearances to the nearest edge of the exhaust hood.

- Use the vinyl siding standoff when installing on an exterior with vinyl siding.
- Vent termination must not be located where it will become plugged by snow or other material

Hearth Requirements

Floor Mounted Fireplaces



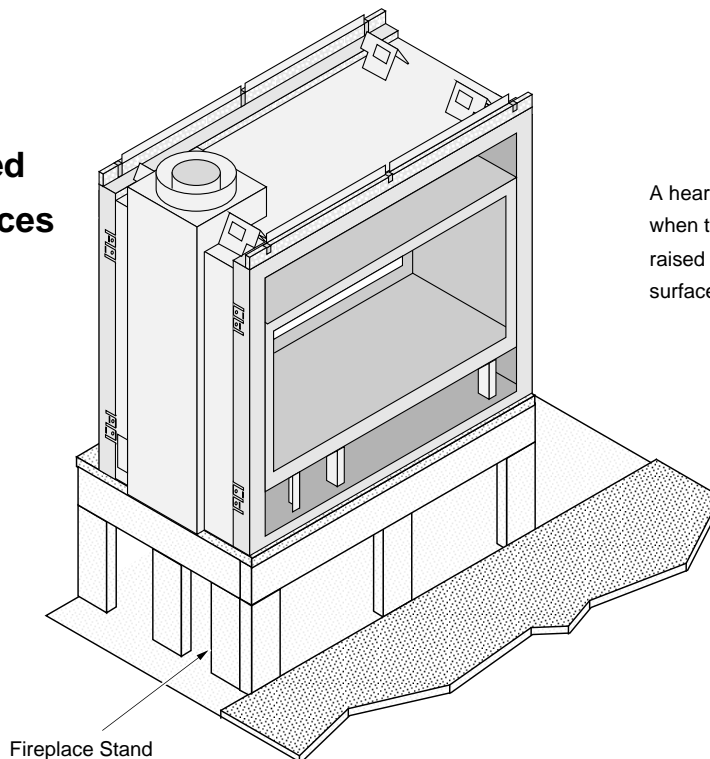
Do not build a hearth more than 1"(25mm) above the baseplate (this area must remain clear for the access door).

If installed near carpet or other combustible flooring, the fireplace must be raised so the base of the unit is above the carpet surface or flooring material.

WARNING:

A non-combustible hearth is not required. However, if the heater is installed next to the floor, we recommend a hearth to protect the flooring surface from discoloration or other negative impact from the heater.

Raised Fireplaces



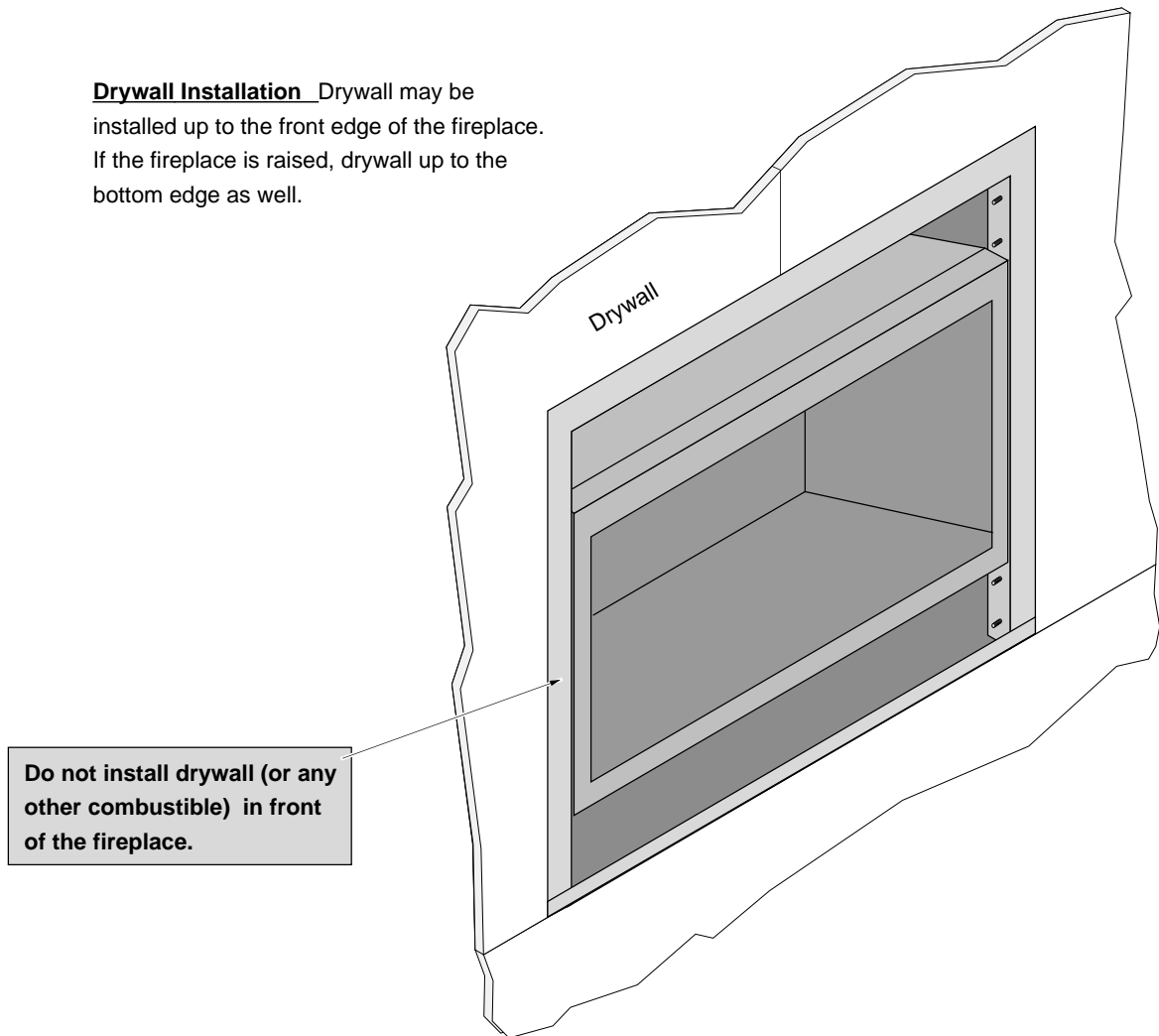
A hearth is not required when the fireplace is raised above the flooring surface.

Facing Requirements

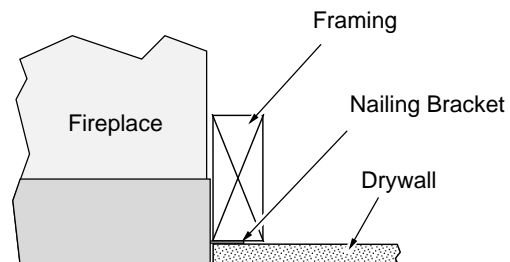
- This appliance is designed to allow for drywall (or other combustible facing) to contact the sides and top of the front of the fireplace.
- Tile or other non-combustible facing may be placed on the front of the fireplace (see "Facing Overview" on page 31 for further details).

Drywall Installation

Drywall Installation Drywall may be installed up to the front edge of the fireplace. If the fireplace is raised, drywall up to the bottom edge as well.



TOP VIEW



Facing Overview



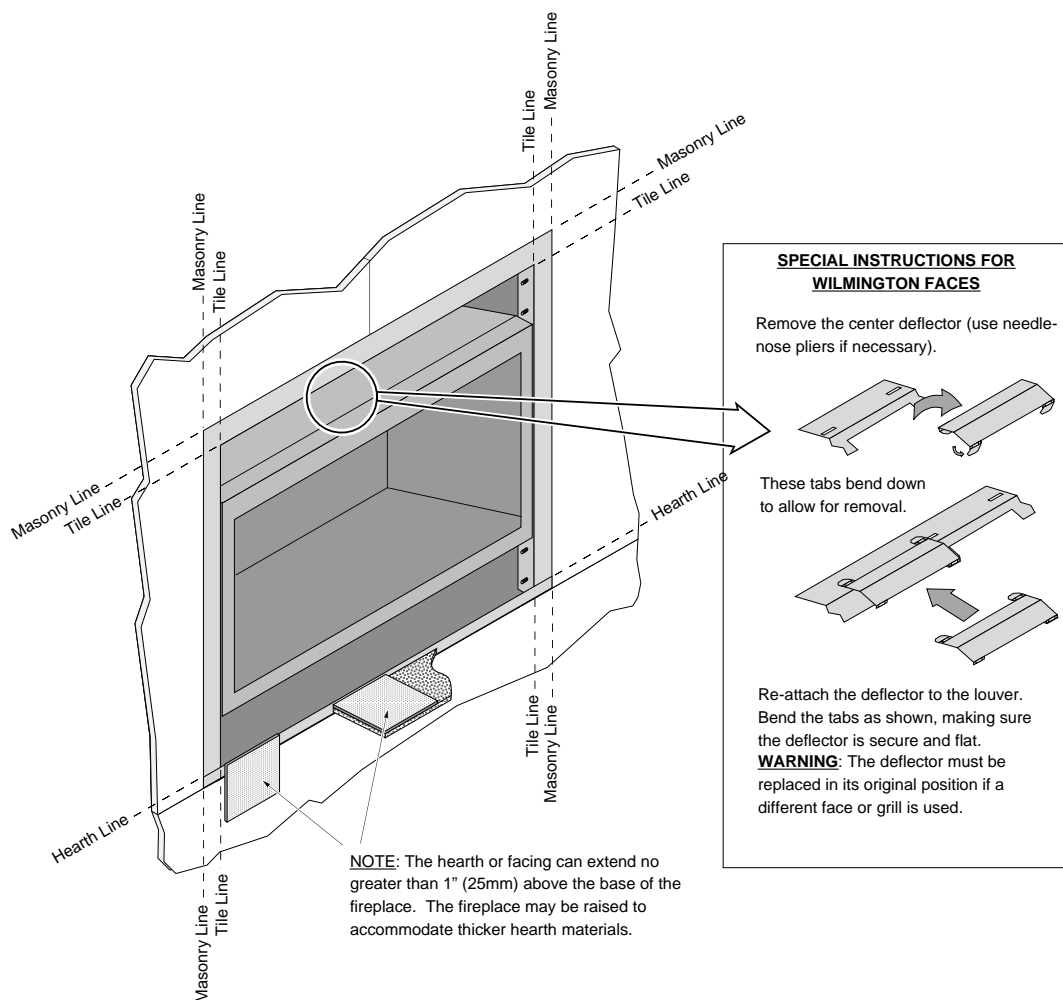
Upgrade faces are available for this fireplace and may influence facing installation. Consult with your Travis Dealer if you are using an upgrade face.

Optional non-combustible facing may be installed on the fireplace. Use the guidelines below to determine the location (also see the following pages for detailed diagrams).

Tile Line Any non-combustible facing under 1" (25mm) thick (see "Thin Facing" on page 32).

Masonry Line Any non-combustible over 1" (25mm) thick (see "Thick Facing" on page 34).

Hearth Line Non-combustible hearth/facing should be installed up to this location (1" (25mm) above the base of the fireplace). The fireplace may be raised to accommodate thicker hearth materials.



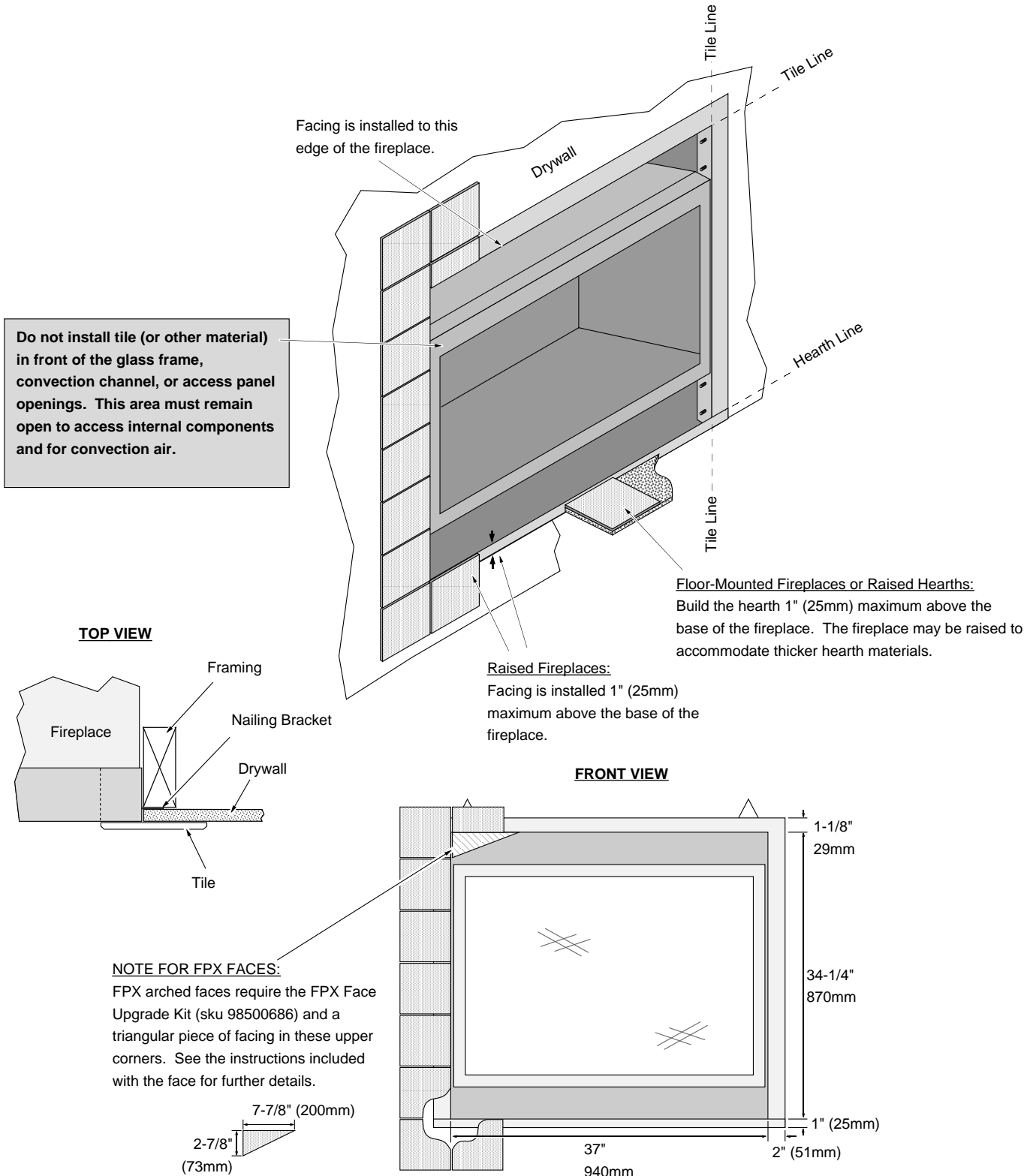
Optional Faceplates – Sizing Chart

Name	Height	Width	Notes
FPX Artisan, Classic, Fr Ctry	35-3/4" (908mm)	41" (1041mm)	45-3/4" (1162mm) Radius – May fit over top of tile facing
Winthrop Victorian Lace	34-1/8" (867mm)	36-7/8" (937mm)	Optional facing will butte to edge of faceplate (tile line)
Wilmington Hearthview	35-3/4" (908mm)	41" (1041mm)	May fit over top of tile facing
Winthrop Bungalow	34" (864mm)	36-7/8" (937mm)	Optional facing will butte to edge of faceplate (tile line)

Thin Facing Installation (tile, marble, or other non-combustible under 1" (25mm) thick)

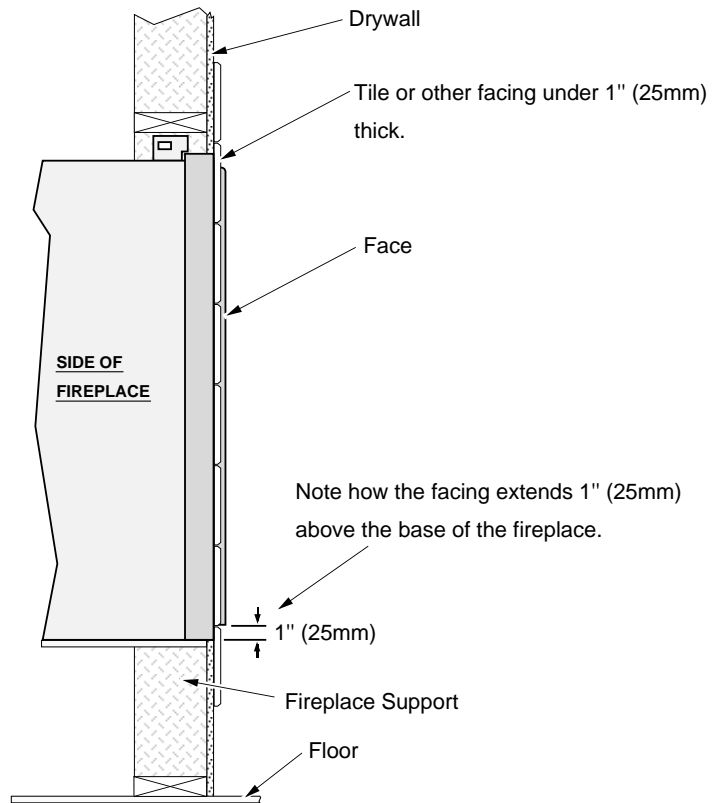


Upgrade faces are available for this fireplace and may influence facing installation. Consult with your Travis Dealer if you are using an upgrade face.

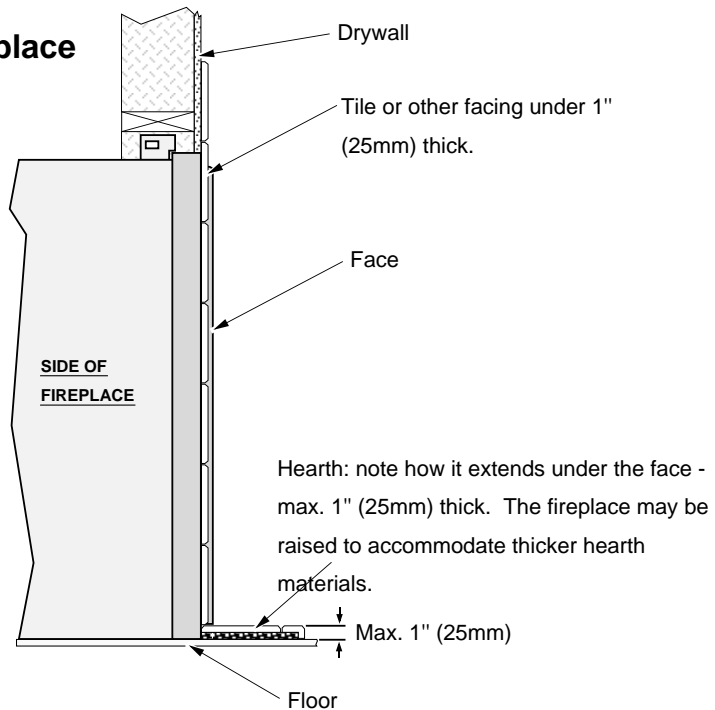


Thin Facing Installation (tile, marble, under 1" (25mm) thick) - Side View

Raised Fireplace (with no Hearth)



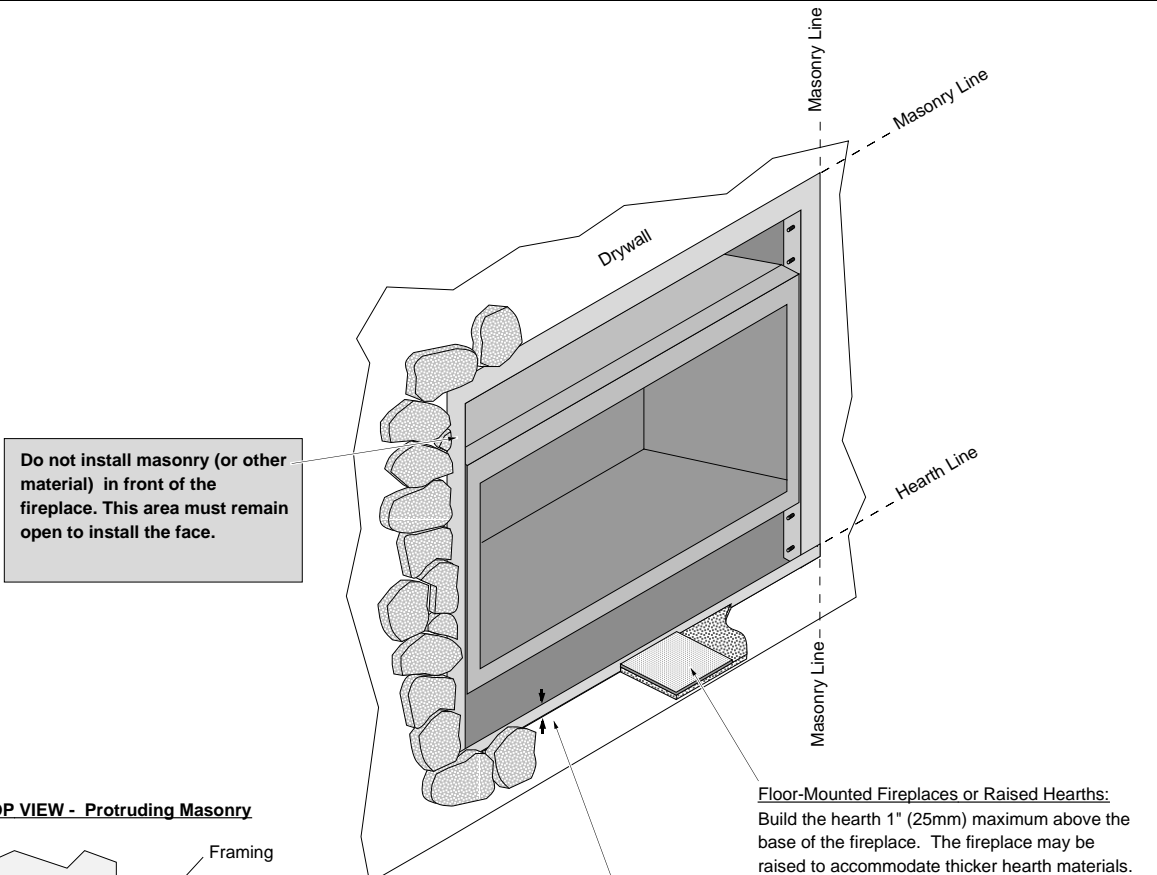
Floor-Mounted Fireplace (with Hearth)



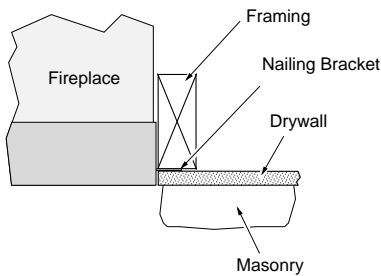
Thick Facing Installation (stone, brick, or other non-combustible over 1" (25mm) thick)



If using a Fireplace Xtordinair (FPX) arched face, see "Thick Facing with a Fireplace Xtordinair Arched Faces" on page 35.

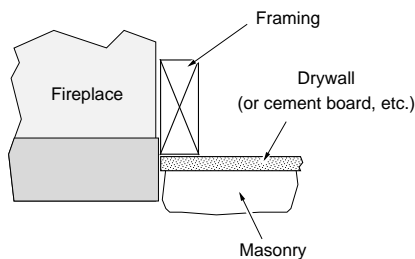


TOP VIEW - Protruding Masonry

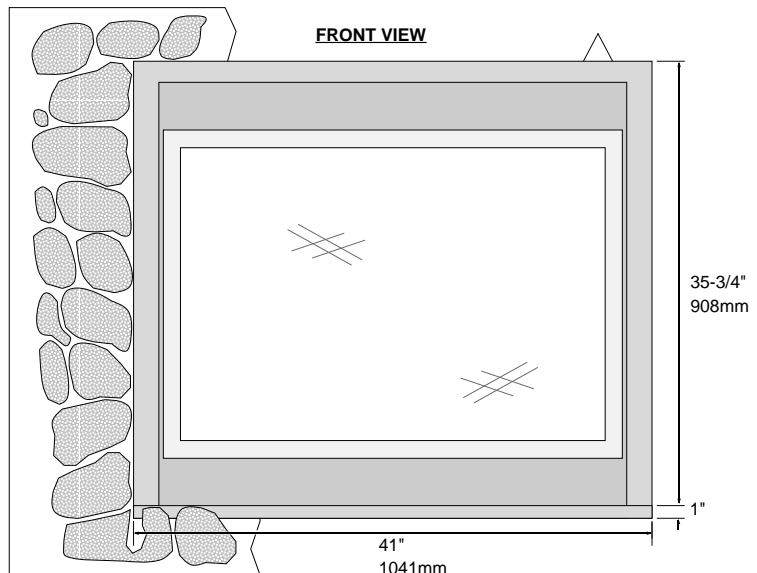


Raised Fireplaces:
Masonry is installed 1" (25mm) maximum above the base of the fireplace.

TOP VIEW - Recessed Masonry



NOTE: The nailing brackets are not used for this type of installation - secure the fireplace to the floor with the brackets along the base of the fireplace.

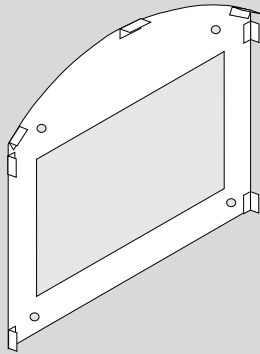


Thick Facing with Fireplace Xtrordinair (FPX) Arched Faces

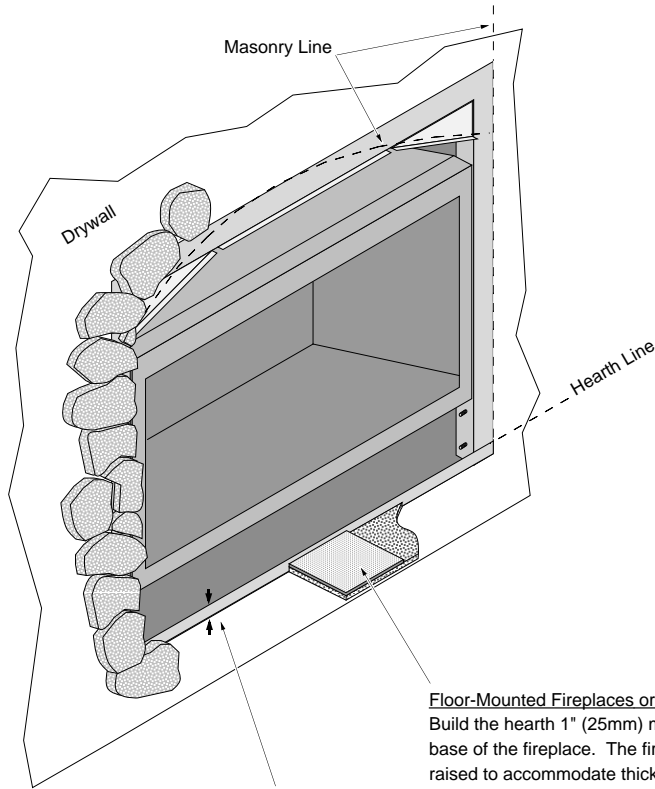
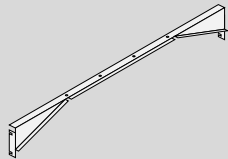


The following illustration shows facing considerations for those fireplaces utilizing FPX arched faces. The facing must be non-combustible and over 1" (25mm) in depth.

The Fireplace Xtrordinair 864 Masonry Template is recommended for masonry installation (sku 98500688). The template helps locate and support the masonry as it being installed.



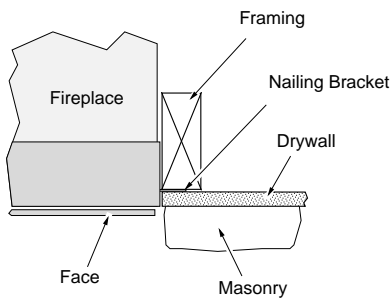
Before installing masonry, install the FPX Face Upgrade Kit (98500686). This covers the upper corners.



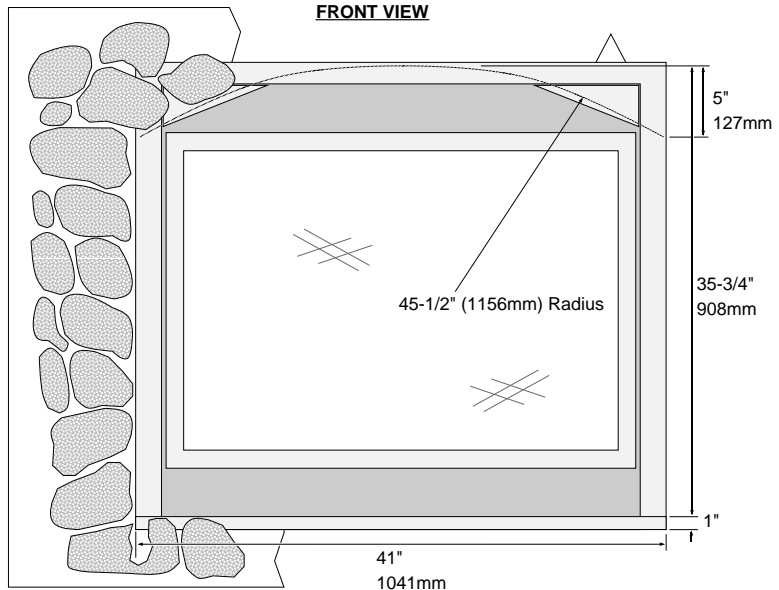
Floor-Mounted Fireplaces or Raised Hearths:
Build the hearth 1" (25mm) maximum above the base of the fireplace. The fireplace may be raised to accommodate thicker hearth materials.

Raised Fireplaces:
Masonry is installed 1" (25mm) maximum above the base of the fireplace.

TOP VIEW

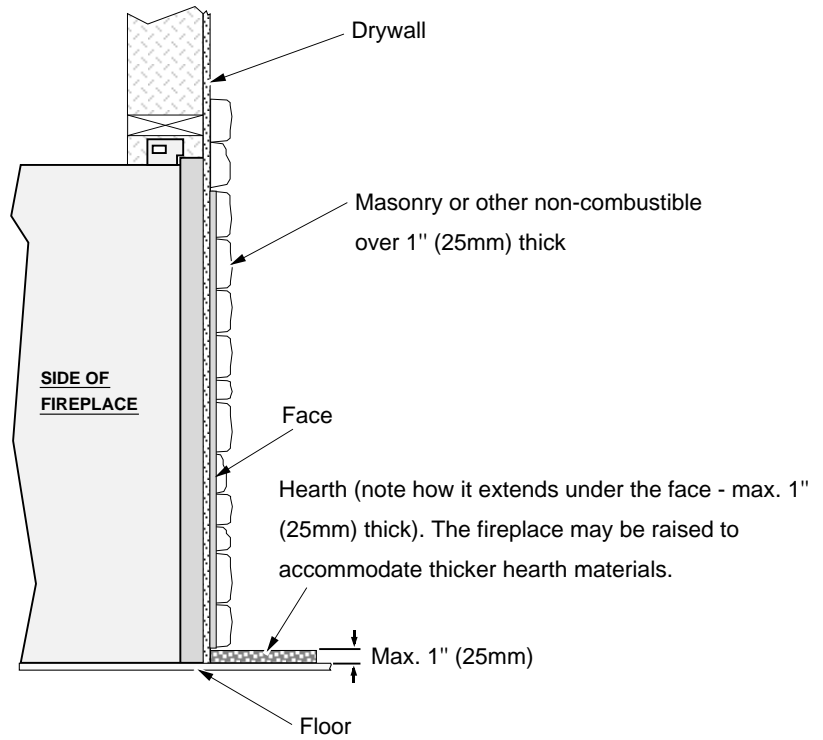


FRONT VIEW

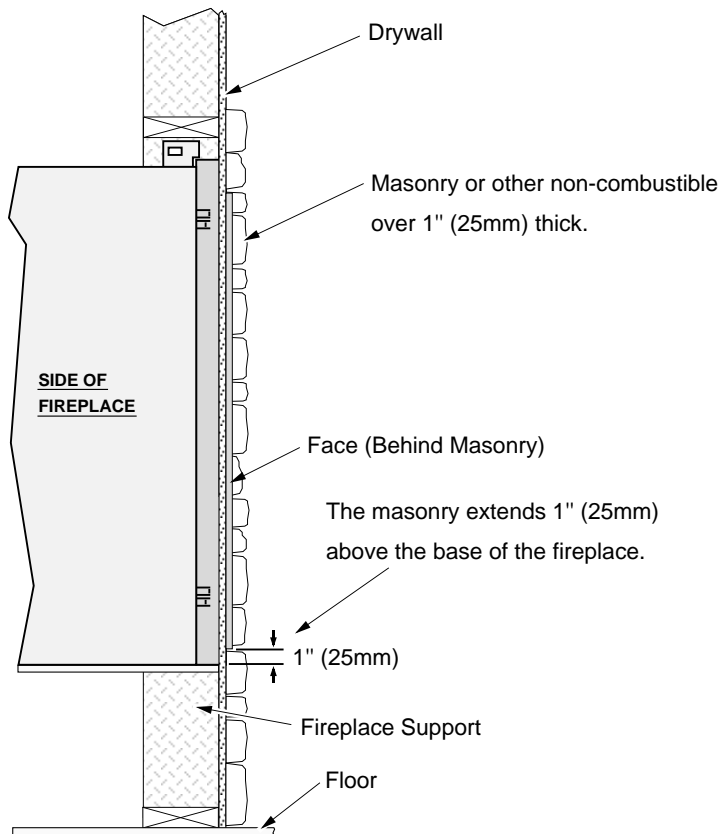


Thick Facing Installation - Side View

Floor-Mounted Fireplace
(with Hearth)



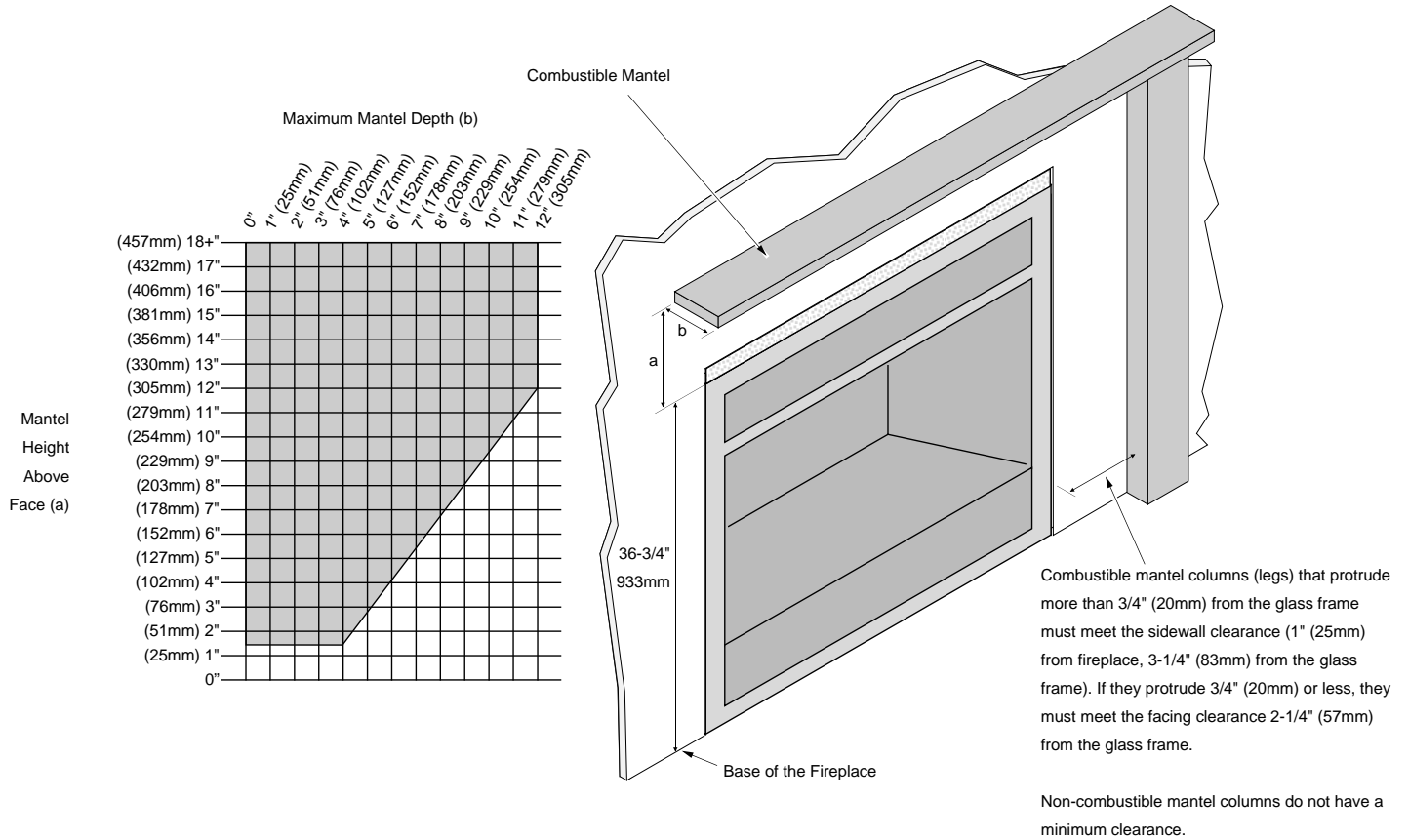
Raised Fireplace
(with no Hearth)



Mantel Requirements

Combustible Mantels

- Use the table below to determine the maximum mantel depth allowed. The mantel depth (measured from the face of the fireplace) must fall in the shaded portion of the table.
- Any material that protrudes more than 3/4" (19mm) from the non-combustible facing is considered a mantel and must meet the mantel requirements.



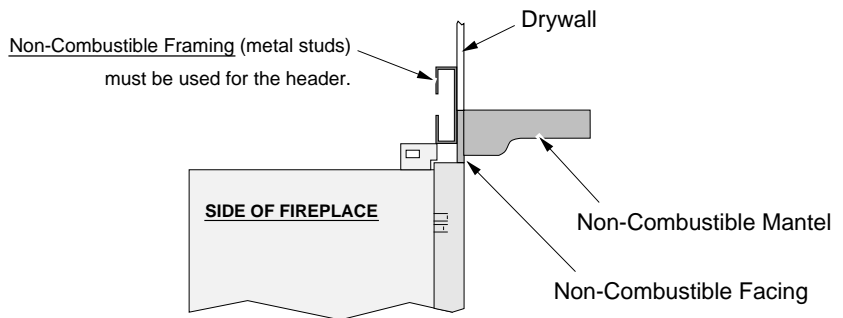
Examples:

- If you wish to have an 8" (203mm) deep mantel, it must be at least 6-3/4" (171mm) above the fireplace face (44-3/4", 1137mm above the base).
- If you wish to have a mantel 8" (203mm) above the fireplace face, it must be no deeper than 9" (229mm).

Non-Combustible Mantels

Non-combustible mantels must meet the clearances listed for combustible mantels. However, if you do wish to reduce the clearances by using a non-combustible mantel, the following requirements must be met:

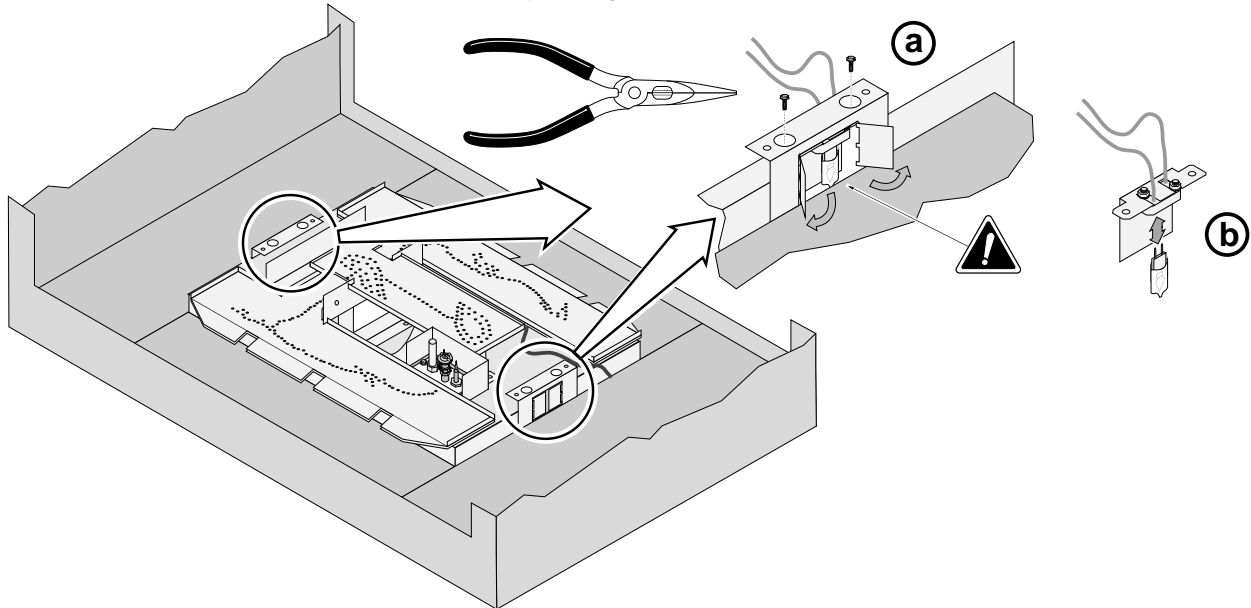
- Non-combustible mantel and facing must extend from the top of the appliance to the top surface of the mantel.
- A non-combustible header must be used (metal stud).



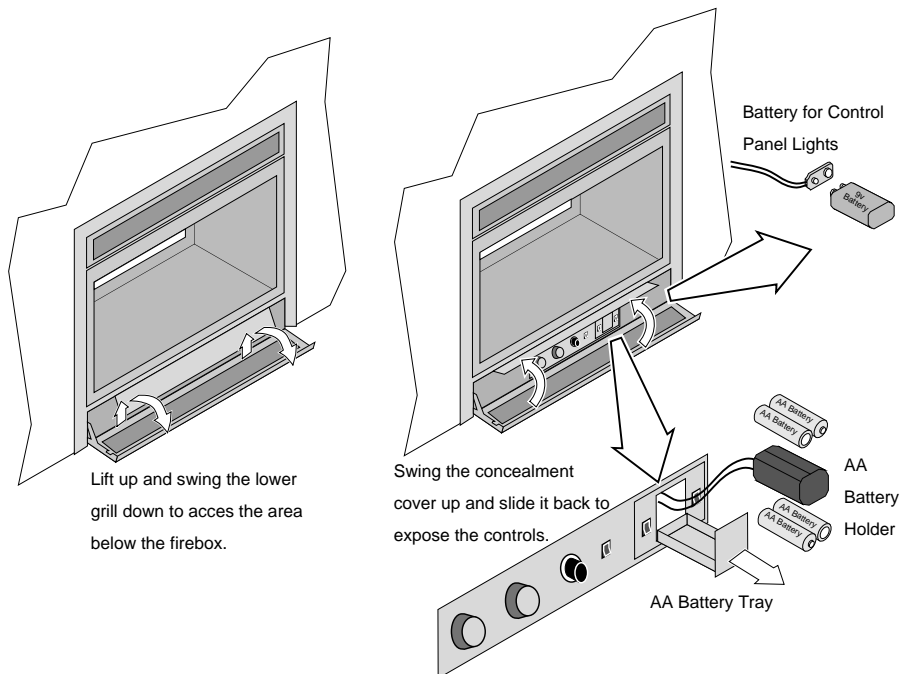
38 Finalizing the Installation (for qualified installers only)

Steps for Finalizing the Installation

1. Remove the glass (see page 40).
NOTE: If using propane (LP) convert the appliance prior to installing the logs.
2. We recommend you purge the gas line at this time (with the glass removed). This allows gas to be detected once it enters the firebox, ensuring gas does not build up.
NOTE: If using firebacks, install them prior to adjusting the accent light deflectors.
3. Carefully bend the accent light deflectors outwards to 45° (see "a" below). Take care to prevent damage to the bulbs. Make sure the two accent light bulbs are in place. The assembly may be removed for bulb replacement (see "b" below).
NOTE: Take care to not touch the bulb with your fingers (use a cloth or paper towel).



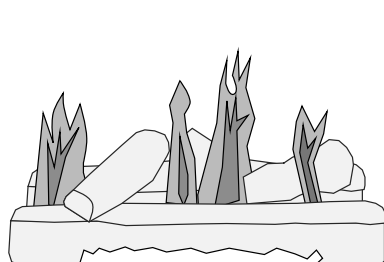
4. Install the four AA batteries (included in the owner's pack) into battery holder (see the illustration below). The AA batteries act as a power backup in case the household (AC) power goes out. Install the 9v battery (included in the owner's pack) into control panel light assembly (see the illustration below). The battery holder is held in place with Velcro and may be removed for easier access.



5. Install the logs (see page 42).
6. Replace the glass.
7. Start the heater.
8. Leak test all gas joints.
9. Check the air shutter following the directions below.

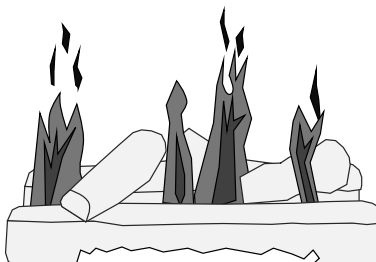
Air Shutter Adjustment

Let the heater burn for fifteen minutes (make sure the logs and glass are in place). The flames should be yellow with no sooting. Adjust the air shutter, if necessary, to achieve the correct looking flame.



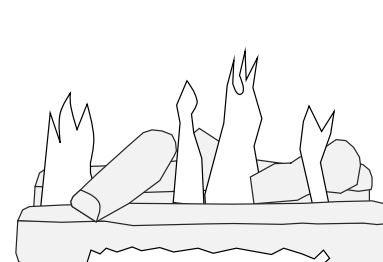
Correct

Flames should be blue at the base, yellow-orange on the top.



Not Enough Air

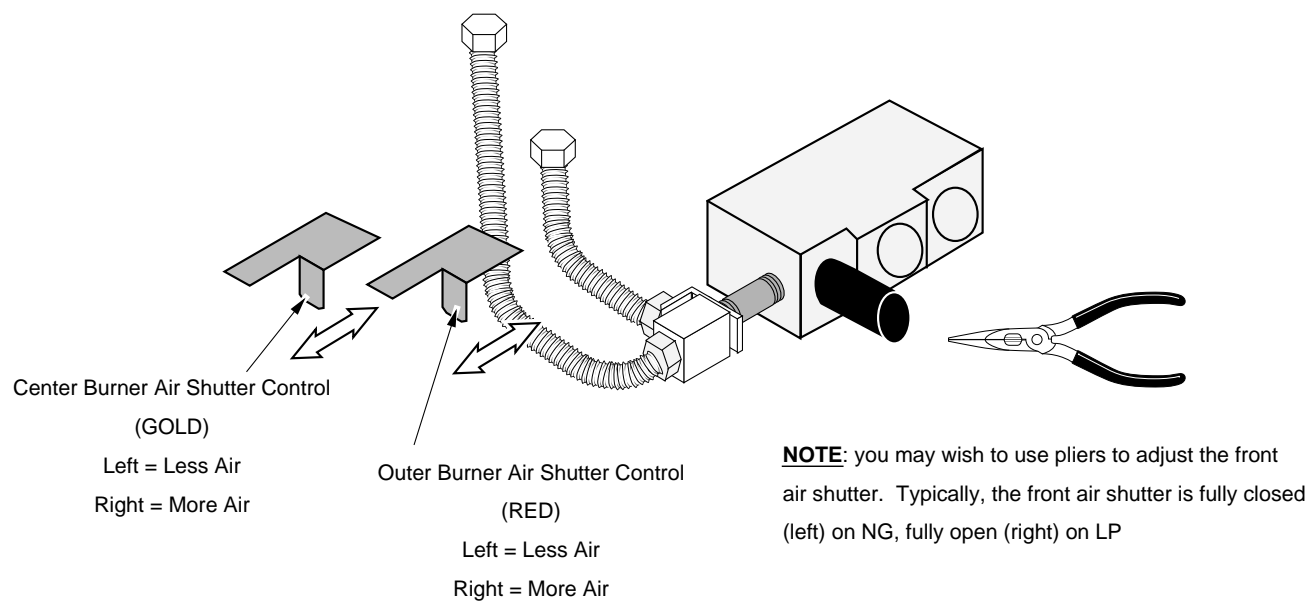
If the flames are too tall or sooty on the ends, open the air shutter.



Too Much Air

If the flames are all blue and short, close the air shutter.

Air Shutter Adjustment



10. Turn the flame adjust knob to its highest position - the flames should not contact the top of the firebox. Check the flame on low position. The flames should burn off of each burner hole. If the heater does not work correctly, contact your Travis dealer for a remedy.
11. Give this manual to the home owner for future reference and fully explain operation of this heater. For comprehensive operating and maintenance instructions, refer to the Owner's Manual (part # 100-01219).

ACID WASH WARNING: Before installing the faceplate, make sure any masonry that has been treated with acid wash has been properly neutralized (this is used primarily with brick faces). Acid wash (muriatic acid) is used to remove excess mortar. If not properly neutralized with an ammonia solution, the plated face may develop a permanent tarnish when the acid evaporates over time. Contact your dealer if uncertain your facing has been properly neutralized.

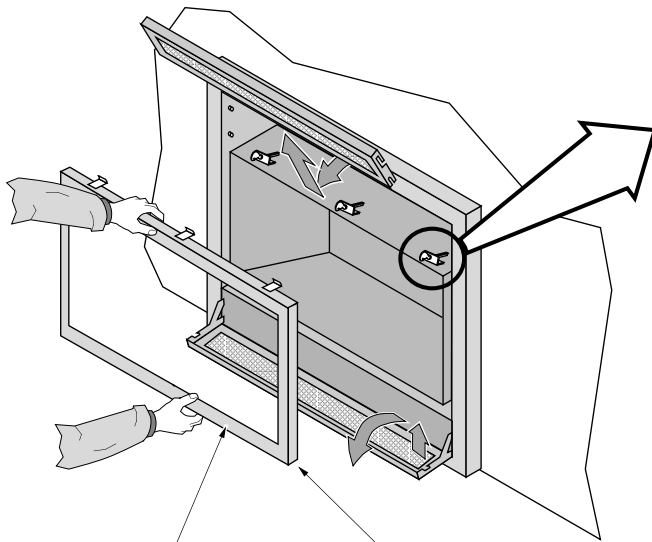
Glass Frame Removal and Installation

Warning: The appliance must be completely cool before removing the glass.

Warning: Do not strike or slam the glass.

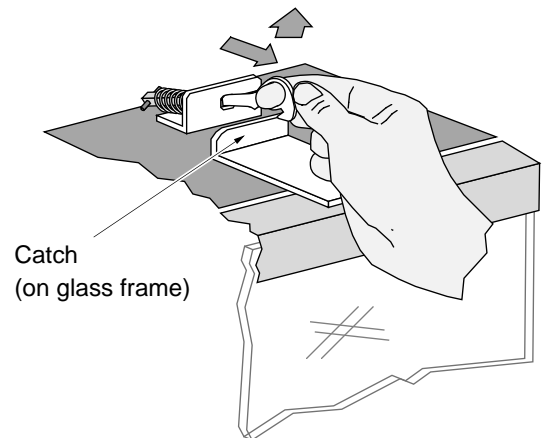
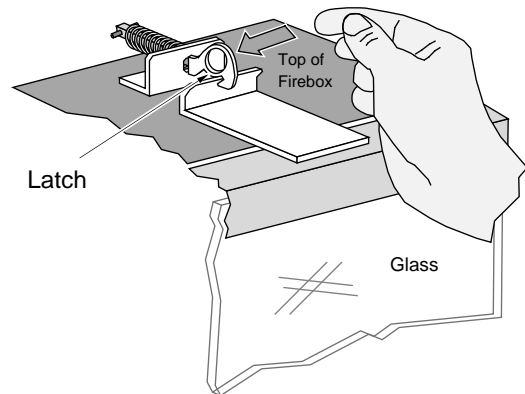
- a** Based upon the face being used, either:
- swing the access door down and remove the top grill,
 - remove the face (unscrew or lift off - see the instructions included with the face for details).

Open the six latches holding the glass frame in place (start with the bottom three) - follow the directions shown to the right.



- b** Lift the glass frame up and pull it forward to remove.

NOTE:
You may need to lift the glass frame while re-attaching.



Re-Attaching the Glass Frame:

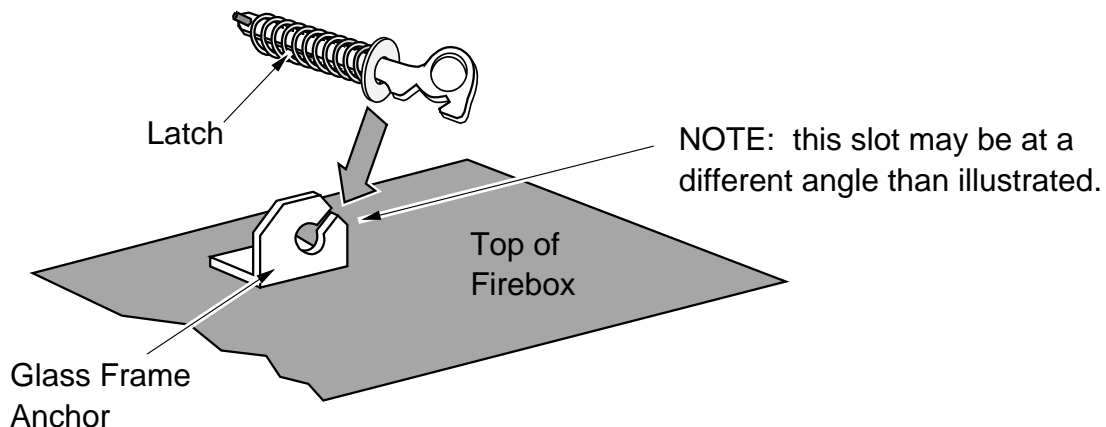
- Hang the glass frame on the firebox.
- While holding in place, attach the upper latches (follow the instructions above in reverse).
- Lift the glass frame slightly and attach the lower latches.

NOTE: Make sure the glass frame is all the way in place - it should be flush with the front of the fireplace when installed.

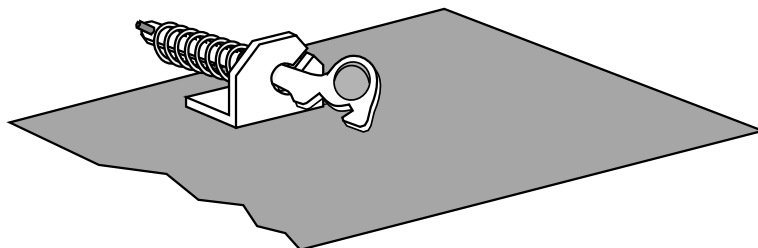
Glass Frame Removal and Installation (continued)

The latch can come loose from glass frame anchor. This occurs when it is turned 1/4 turn when it is disengaged. Follow the directions below to re-install the latch if it becomes loose.

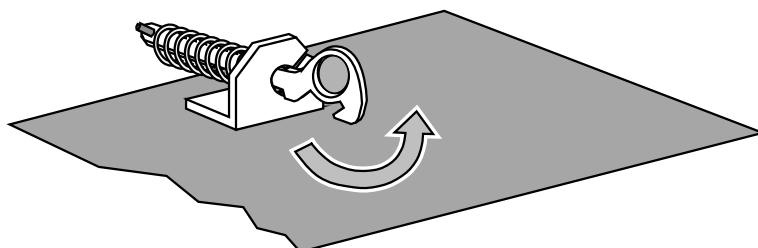
Hold the latch at an angle and insert it into the slot on the glass frame anchor.



Note how the washer on the latch fits behind the flange on the glass frame anchor.



Once fully inserted, turn the latch until it is upright.



42 Finalizing the Installation (for qualified installers only)

Log Set Installation

Logs in Place – FRONT SIDE (gas control valve side)

NOTE: This fireplace has a front side and back side. The front side (pictured below) is the side with the gas control valve.



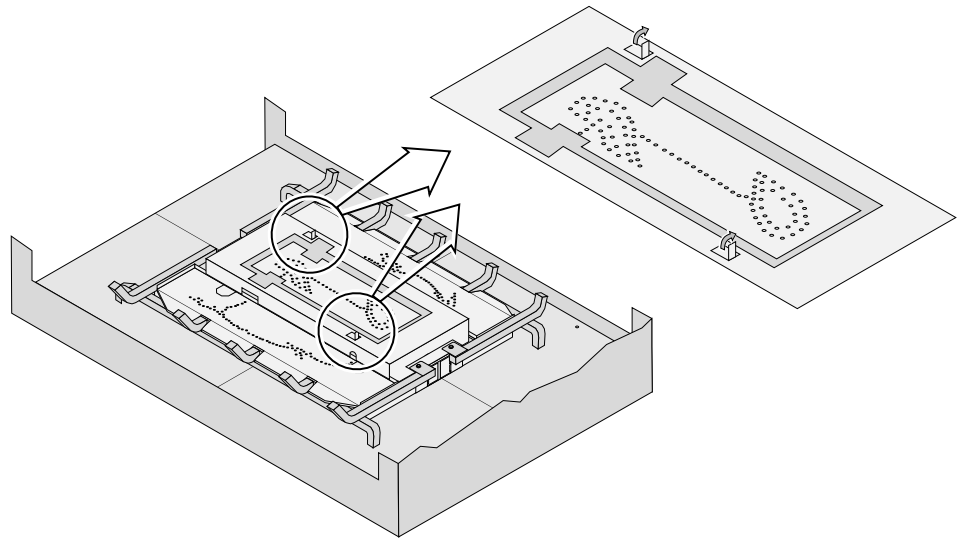
Logs in Place – BACK SIDE



Center Log Installation

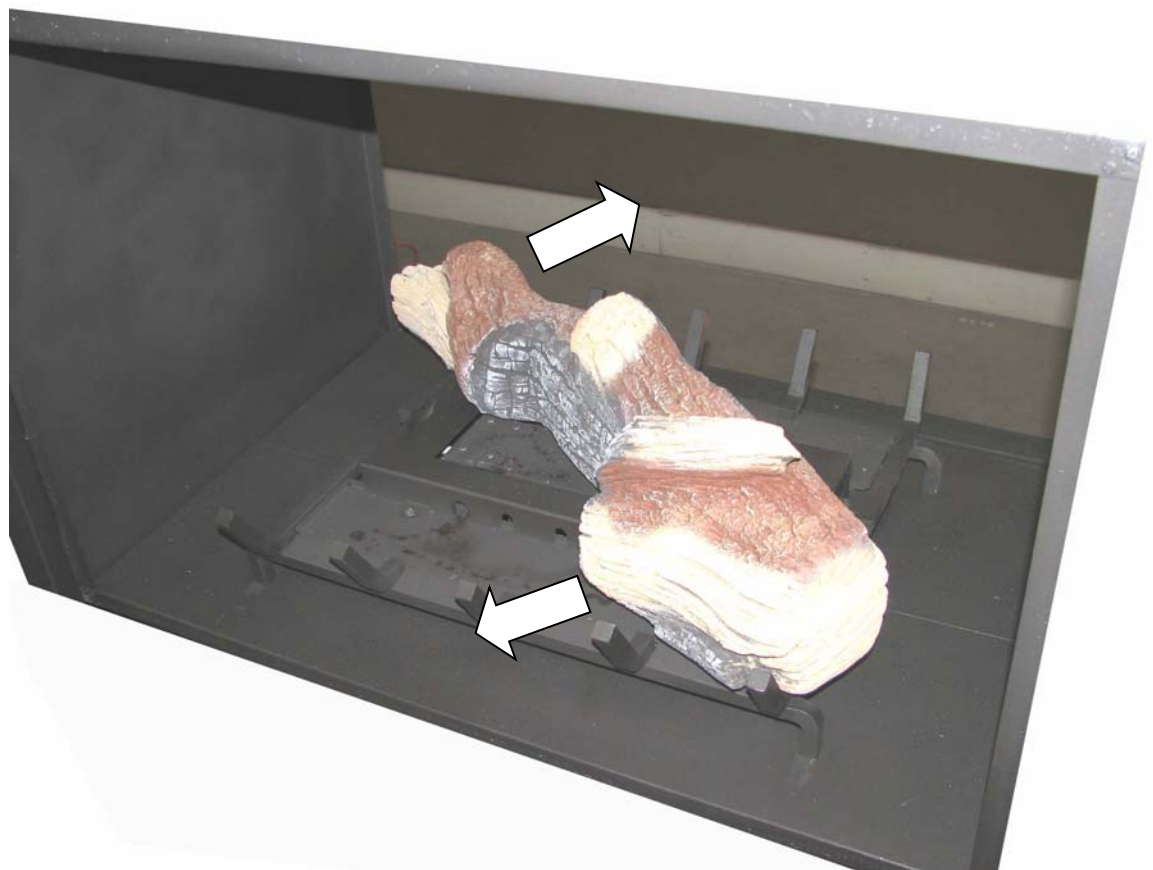
The log shelf has two tabs used to align the center log. Bend these tabs as shown to the right.

Bend these two tabs up 90°. They are used as pins to locate the center log.



Place the center log in place. Make sure the two tabs on the log shelf insert into the two holes on the bottom of the log.

Once in place, rotate the log clockwise until the indents in the log contact the grate.



Front Left Log

Place the front left log as shown below. There is a ledge on the bottom of the log that aligns with the edge of the center burner.

44 Finalizing the Installation (for qualified installers only)



When in place, the front left log has a small gap to the center log.



Front Left Upper Log

There are two pins on the front left log. The pin to the right is used to locate the front left upper log.



The front left upper log has a groove and one hole on the bottom. The groove fits over the edge of the burner.



When in place, the front left upper log looks like the picture to the right.



46 Finalizing the Installation (for qualified installers only)

Front Upper Center Log

The front upper center log has two holes on its bottom surface. One of the holes fits over the pin on the center log (see picture to the right). The other fits over the pin on the front left log.



When in place, the front upper center log looks like the picture to the right.



Back Left Log

The back left log fits to the left of the center log.



The groove on the bottom of the log fits over the upper burner tray.



Make sure to slide the log towards the center of the firebox. When in place, the log will appear as shown in the picture to the right.



48 Finalizing the Installation (for qualified installers only)

Right Ember Chunk

The right ember chunk is installed from the back. The groove on the bottom of the ember fits over the edge of the upper burner tray. It wedges between the two logs.

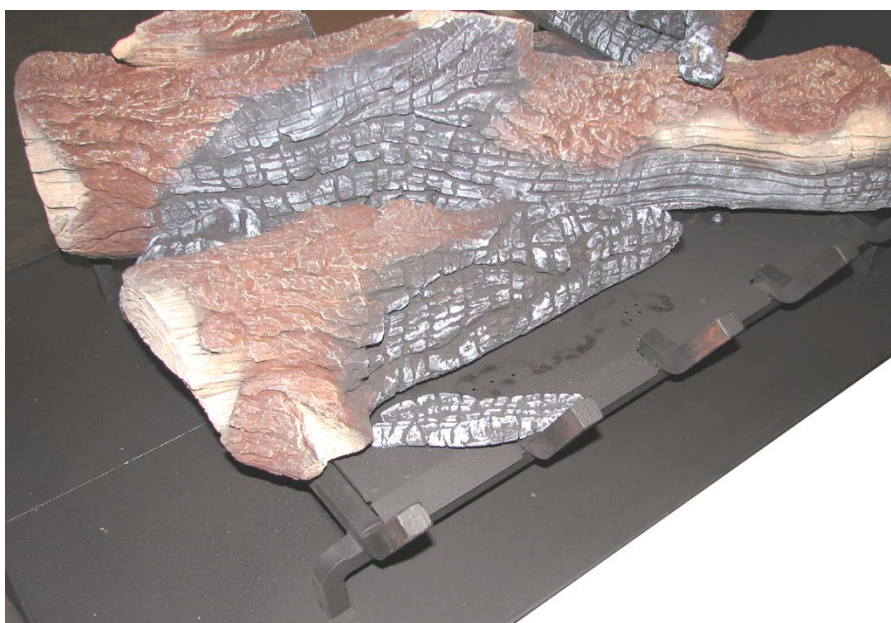


When in place, the left ember chunk looks like the picture to the right.



Back Ember Chunk

The back ember is placed on the back right side as shown in the picture to the right. Make sure it is not over any burner holes.



Back Left Log

The pin on the center log inserts into the hole on the back of the back left log.



This groove on the log fits over the grate.



When in place, the log looks like the picture to the right.



50 Finalizing the Installation (for qualified installers only)

Back Upper Right Log

Pins on the center log and back right log help locate this log.



When in place, the back upper right log looks like the picture to the right.

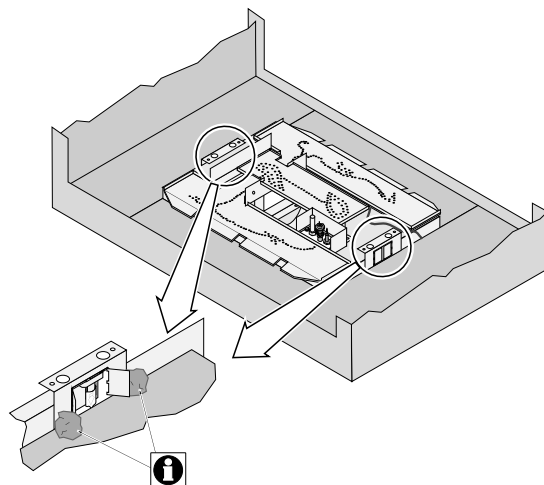


Ember Placement

A bag of embers is provided to further enhance the firebox. Place the embers on the firebox floor and on the outer burner (especially over exposed rivets on the burner). Do not place embers over any of the burner holes or air channels. See the picture below.

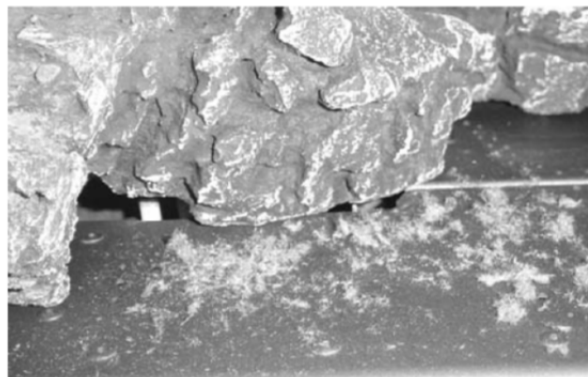


NOTE: When placing the embers, place one ember on both sides of the accent light deflectors (see illustration below). This helps block light from exiting the slot on the deflector and creating a line of light.



Rock Wool Placement

The included rock wool is placed on top of the burner to enhance the glow from the burner. **The rock wool works best when it is applied in a very thin, porous layer.** The best method for applying the rock wool is to brush it on to the burner. Compress a clump of rockwool between your thumb and forefinger. Use a stiff brush to apply a thin layer of rockwool fibers onto the burner. Do not use the entire bag of rockwool. Use only a small amount and save the remainder. Over-use of rockwool will diminish the glow and may cause sooting or other adverse conditions.



52 Finalizing the Installation (for qualified installers only)

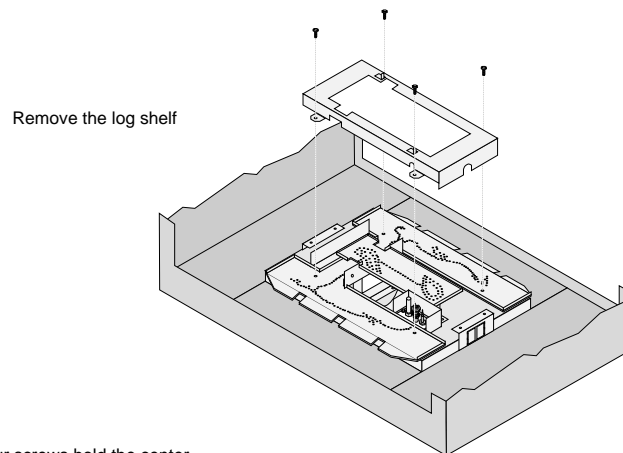
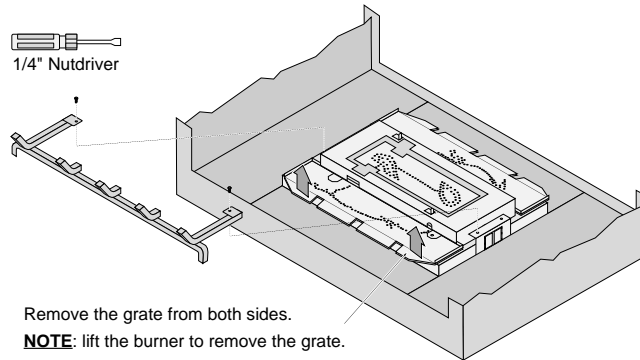
LP Conversion Instructions

WARNING

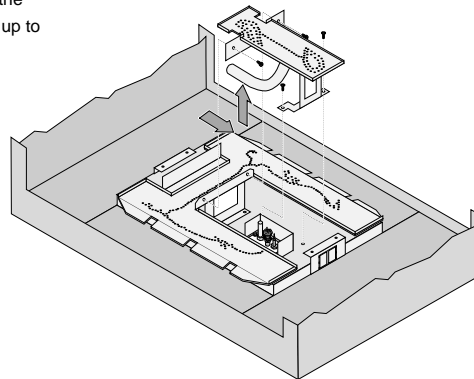
This conversion kit shall be installed by a qualified service agency in accordance with the manufacturer's instructions and all applicable codes and requirements of the authority having jurisdiction. If the information in these instructions is not followed exactly, a fire, explosion or production of carbon monoxide may result causing property damage, personal injury or loss of life. The qualified service agency is responsible for the proper installation of this kit. The installation is not proper and complete until the operation of the converted appliance is checked as specified in the manufacturer's instructions supplied with the kit.

Install the conversion kit prior to installing the gas line to ensure proper gas use.

- 1 Remove the glass (see page 38). Remove the logs and embers (if installed - page 42).
- 2 Remove the grate, firebacks, and center burner (see illustration below).

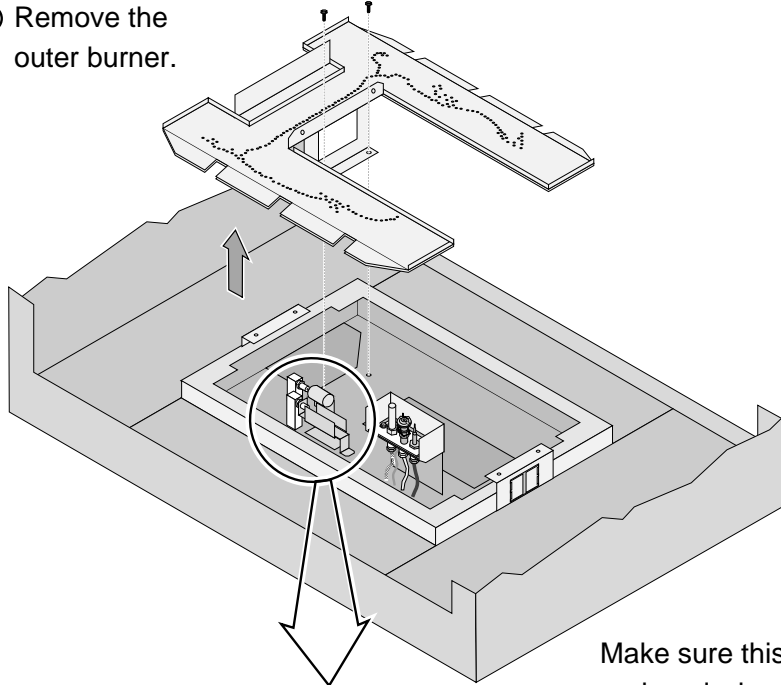


Four screws hold the center burner in place. Slide the burner to the right and up to remove.



3 Follow the directions below to remove the outer burner and replace the orifices.

Ⓐ Remove the outer burner.



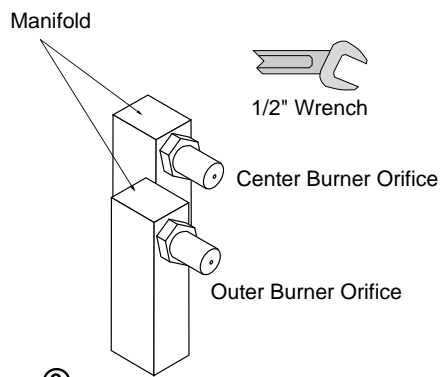
Center Burner Orifice

Outer Burner Orifice

Make sure this gasket is replaced when re-installing.

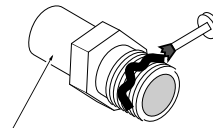
Ⓑ Remove this mixing tube cover.

Ⓒ Use a 1/2" open end wrench to unscrew the two orifices.

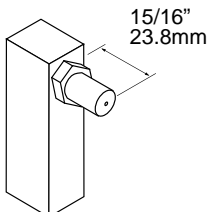


Ⓓ

Apply thread sealant to the LP orifices prior to installation. Use the chart below to identify the correct orifices.



Ⓔ Screw each LP orifice in so the orifice protrudes 15/16" (23.8mm) indicating full insertion.

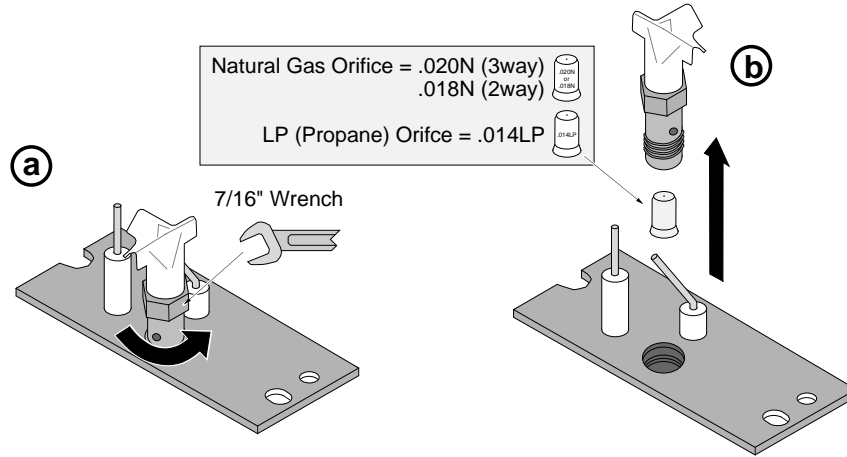


Look here for the orifice identification

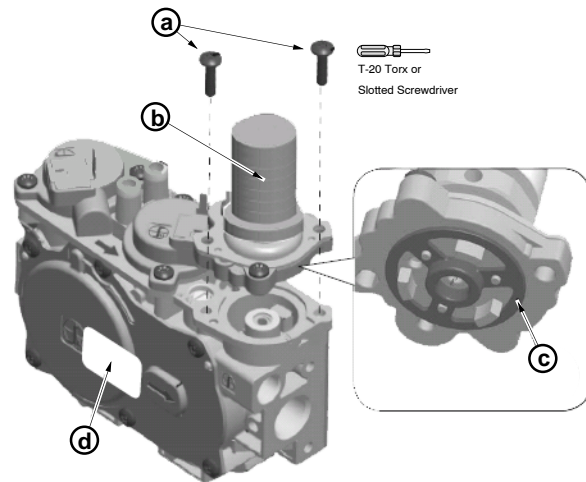
	NG	LP
Center	#48	#55
Outer	#44	#55

54 Finalizing the Installation (for qualified installers only)

- 4 Install the LP pilot orifice following the instructions below.
 - (a) Use a 7/16" open-end wrench to remove the pilot hood.
 - (b) Remove and discard the Natural Gas (NG) orifice. Place the LP orifice in the pilot assembly then replace the pilot hood, tightening the pilot hood until it is snug (do not over-tighten).



- 5 **Replace the firebox components.** Install the logs and embers. Replace the glass.
- 6 Remove and discard the screws (see "a" below) holding the stock regulator in place (see "b" below). Remove the stock regulator and gasket (see "c" below). Place the LP regulator in place, making sure the pre-fitted gasket (see "c" below) is in place.
NOTE: There is a label on the base of the regulator knob indicating regulator type (NG or LP). Secure the regulator with the screws included with the regulator – tighten to 25 lb-in of torque (2.82 NM). Place the included label on the valve body where it can be easily seen to insure proper identification. **NOTE: Leak test this area after the heater is installed, gas is connected, and the main burner is lit.**

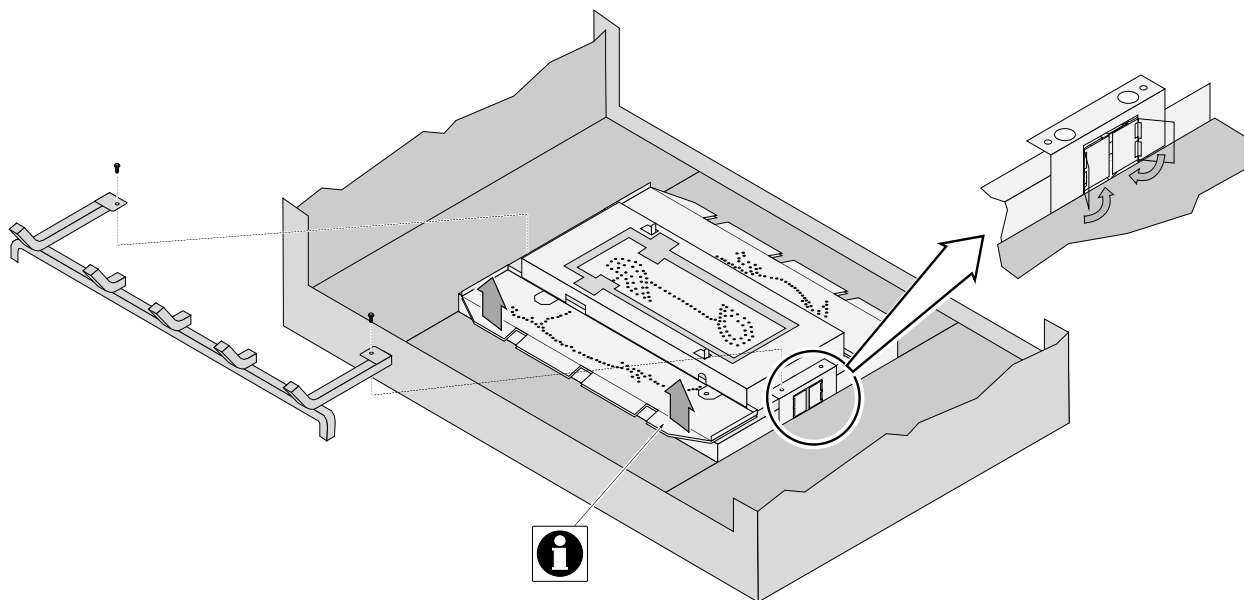


- 7 Make the gas line connection, bleed the gas line (if applicable), start the heater and thoroughly leak-test all gas connections and the gas control valve.

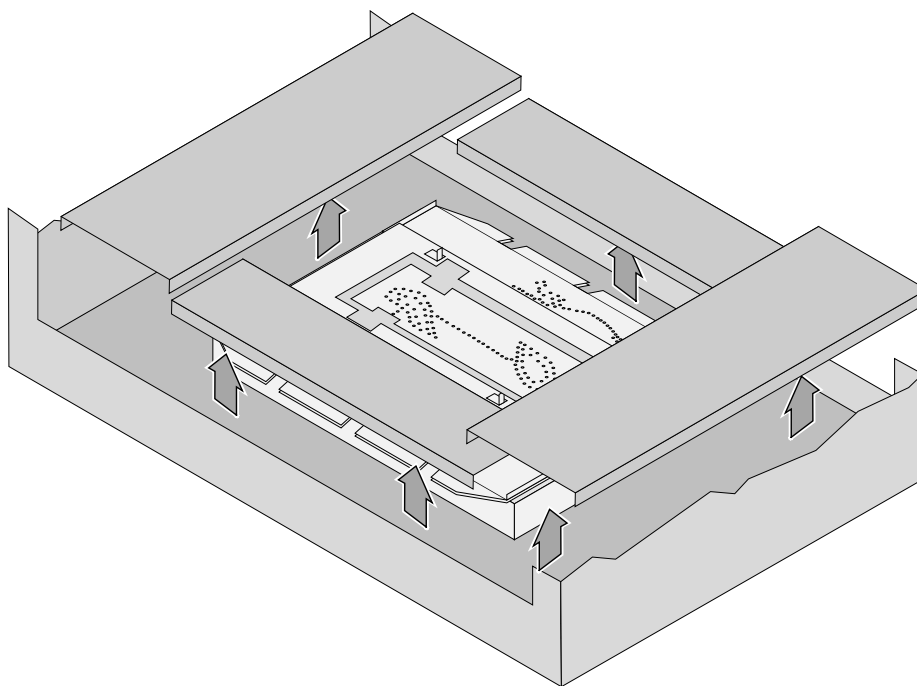
Fireback Installation

WARNING: Turn off gas to the appliance and make sure it has fully cooled prior to conducting service.

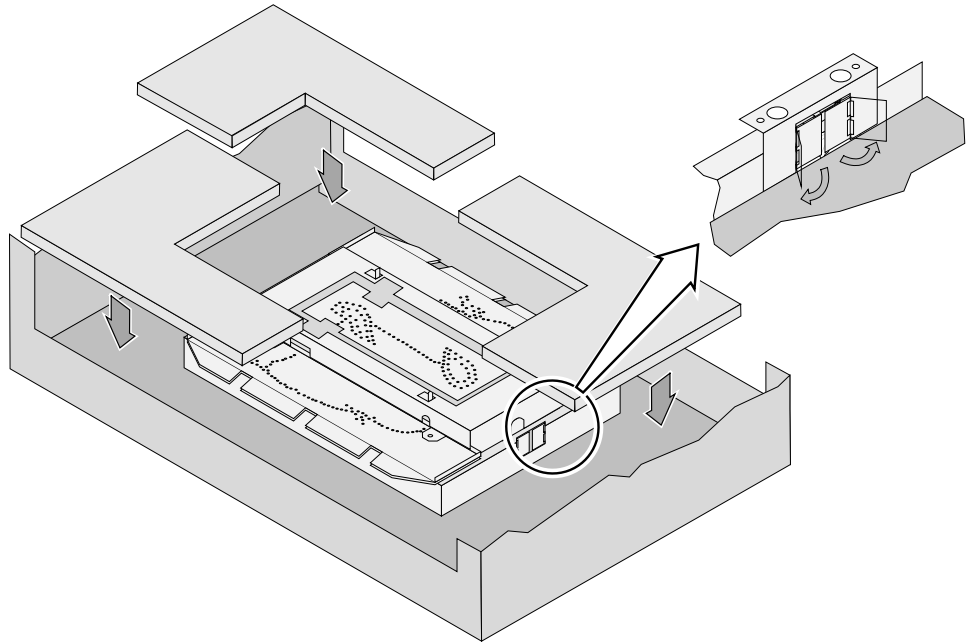
- 1 Remove the glass frame and logs.
- 2 Remove the front and rear grates (NOTE: lift the burner slightly to remove the grate - see the illustration below).
NOTE: If the accent light deflectors have been bent, carefully bend the accent light deflectors inwards on both sides (NOTE: do not over-bend these deflectors, they will break off if over-bent).



- 3 Remove and discard the steel ember trays.



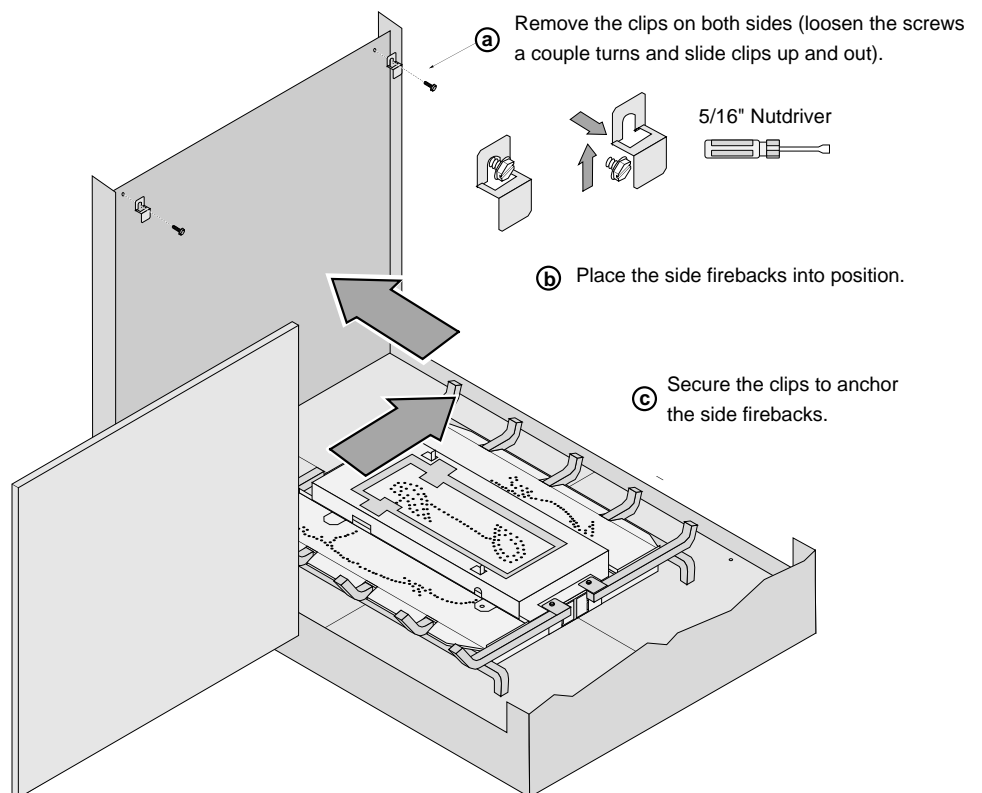
- 4 Carefully place the floor firebacks into position. You must tip them under and around the corners of the burner. Once in place, bend the accent light deflectors back to the correct position (take care to not damage the halogen bulbs).



- 5 Carefully replace the front and rear grates (they rest on top of the floor firebacks).

- 6 Install the side firebacks following the directions below.

- 7 Restore the fireplace to the correct configuration.



The ceramic firebacks are fragile. Ensure proper alignment of individual pieces in each step. To achieve the ideal appearance, you may need to make slight adjustments.

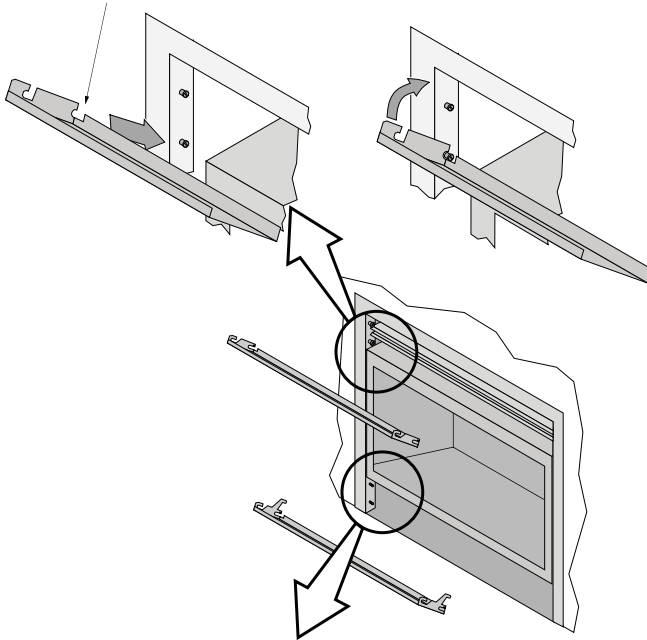
Grill Installation

Certain faces allow for installation of an upper and lower grill. Follow the directions below to install.

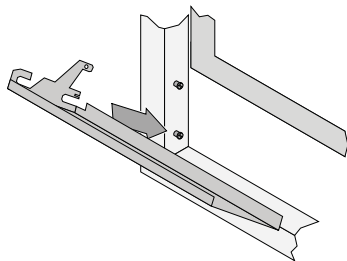
Upper Grill Installation

Hold the grill at an angle and insert the lower slot over the lower bushing on the fireplace (both sides)

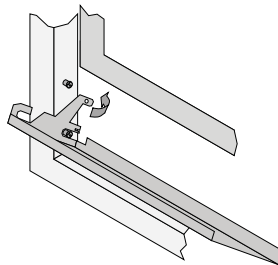
Swing the grill upwards to engage the upper slot. You will need to lift the grill slightly to get it over the bushing. Once in place the grill is held in place by gravity.



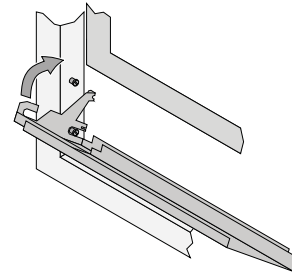
Lower Grill Installation



Hold the grill at an angle and insert the lower slot over the bushing on the fireplace (both sides). You may need to press on the grill to get the tab over the bushing (this prevents the grill from accidentally falling off).



Bend the tab outward on both sides. This is the end-stop for the lower grill, it allows the grill to swing forward.



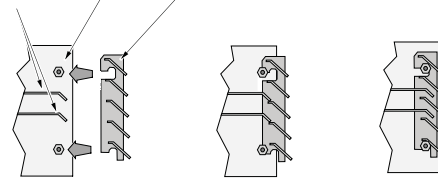
Swing the grill upwards to engage the upper slot. You will need to lift the grill slightly to get it over the bushing. Once in place the grill is held in place by gravity.

Upper Grill Installation (Lopi)

NOTE: The upper grill is difficult to install the first time - be patient, after you install it, you will know how it installs and it will be much easier the second time.

SIDE VIEW

Heat Shields (on fireplace)
Mounting Stud
Upper Grill



Position the grill so the slots on the grill align with the mounting studs.

You may need to push in and upwards on the grill as it inserts.

The grill, when fully inserted, will slide down and "click" into place.

Extra Room Power Heat Duct

SKU 98500769

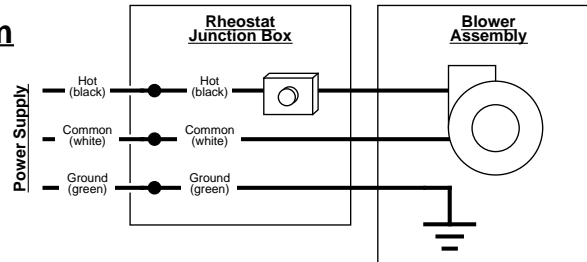
Special Instructions for 864 ST

The 864 ST has a removable cover plate shield below the heat duct connections. This allows more heat to be routed to the power heat ducts (see below for details). Otherwise the heat duct is installed the same as an 864TRV (one heat duct kit maximum, manually-controlled on/off operation – see wiring diagram below).

Power Heat Duct Wiring Diagram

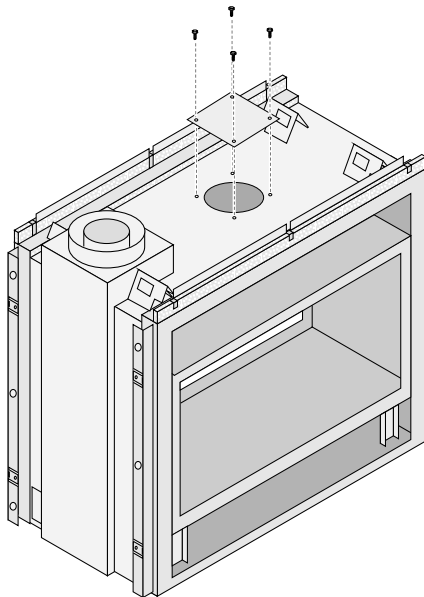
Power Heat Duct Wiring Diagram

- 864 TRV
- 864 ST
- 864 HH (sn 3407-001009 or less)

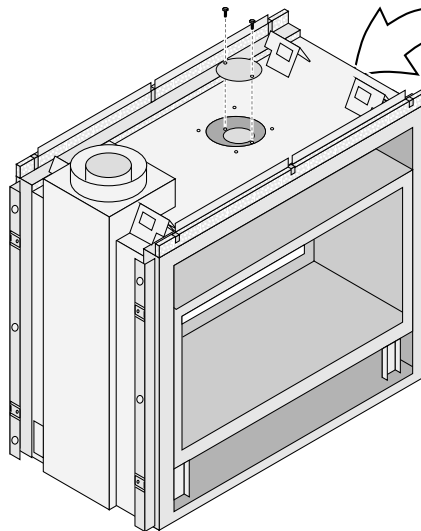


-Remove the Heat Shield Cover Plate

Remove and discard the power heat duct cover plate.



Remove and discard the circular cover plate attached to the heat shield.



NOTE: an additional power heat duct hook-up location is provided on the right side (it is along the top edge of the fireplace).

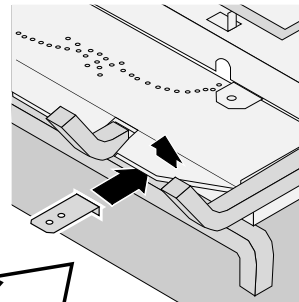
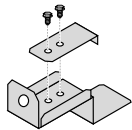
NOTE: Only one hook-up may be used (do not hook up two heat ducts to the fireplace).

Andiron Installation

Install the andirons after installing all other optional equipment (firebacks, accent light, etc) but before installing the logs.

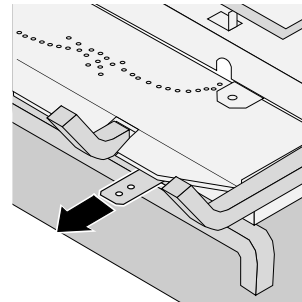
Part Numbers: Arabesque 98500633 -- Colonial 98500631 -- Wrought Iron 98500632

- a** Disassemble one of the andiron brackets.



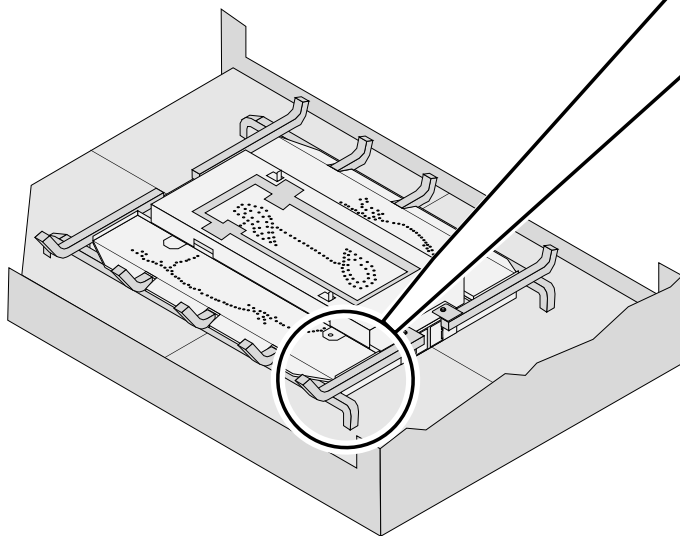
b

Lift up on the burner and slide the upper portion of the bracket into the gap between the burner and grate.



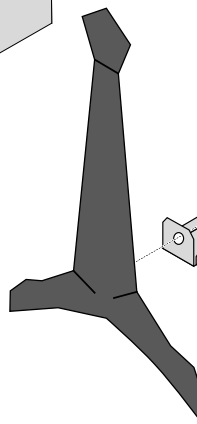
c

Pull on the bracket so it is all the way forward.



d

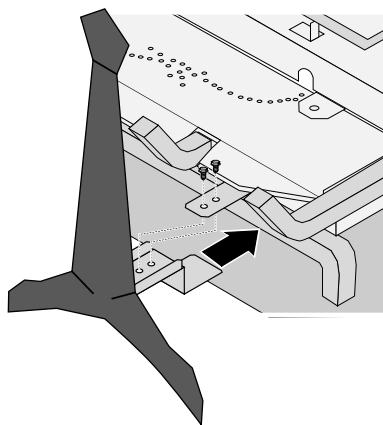
Attach the andiron to the lower portion of the bracket with the included screw (use the included 5/32" hex wrench).



5/32" Hex Wrench

e

Attach the andiron (with bracket) to the bracket on the fireplace using the screws removed in step "a". You may need to bend the bracket slightly to allow the andirons to stand vertically.



f

Repeat steps "a" through "e" for the opposite side.

GS2 Remote Installation

Packing List

- Transmitter
- Battery Box
- Remote Wall Mount with Attachment Screws and Anchors
- Stepper Motor
- Torx Wrench
- Remote Control DVD
- GSR2 IFC
- Splitflow Harness (attached to IFC)
- System Jumper (attached to IFC)
- Battery Box Harness (attached to IFC)
- Fan/Light Harness (attached to IFC)
- (2) Jumper Wires
- (2) 4" Cable Ties

Warnings



Turn off power to the heater (unplug or turn off at the breaker).



Shut off gas at the appliance (or at meter).

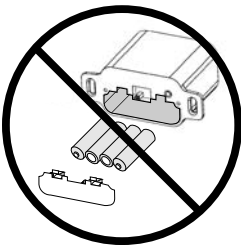
HINT:

If using a blower, make sure to have it on hand while installing the remote.

Remote Control / Pilot Warnings



Installing batteries in the battery holder or connecting the appliance to power may automatically initiate the CPI pilot mode, resulting in a lit pilot flame. Do not place combustibles in the firebox.



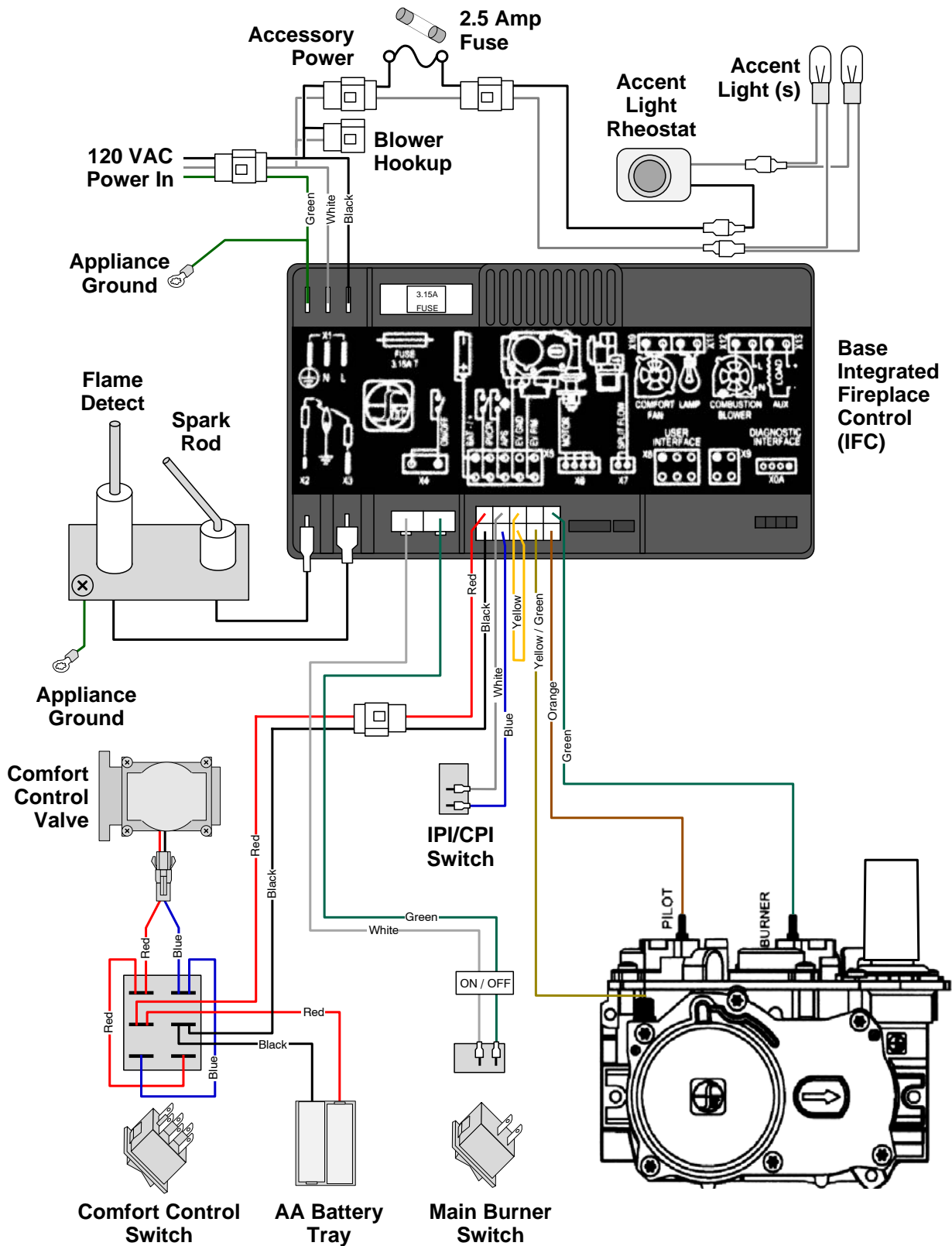
KEEP BATTERIES AND COVER INSTALLED AT ALL TIMES

The remote control system requires the batteries and battery cover to remain in place at all times. Once the batteries or cover are removed, the system may re-start in standing pilot mode. If this occurs when the heater is in Remote Mode, you will not be able to turn the heater off manually from the battery box.

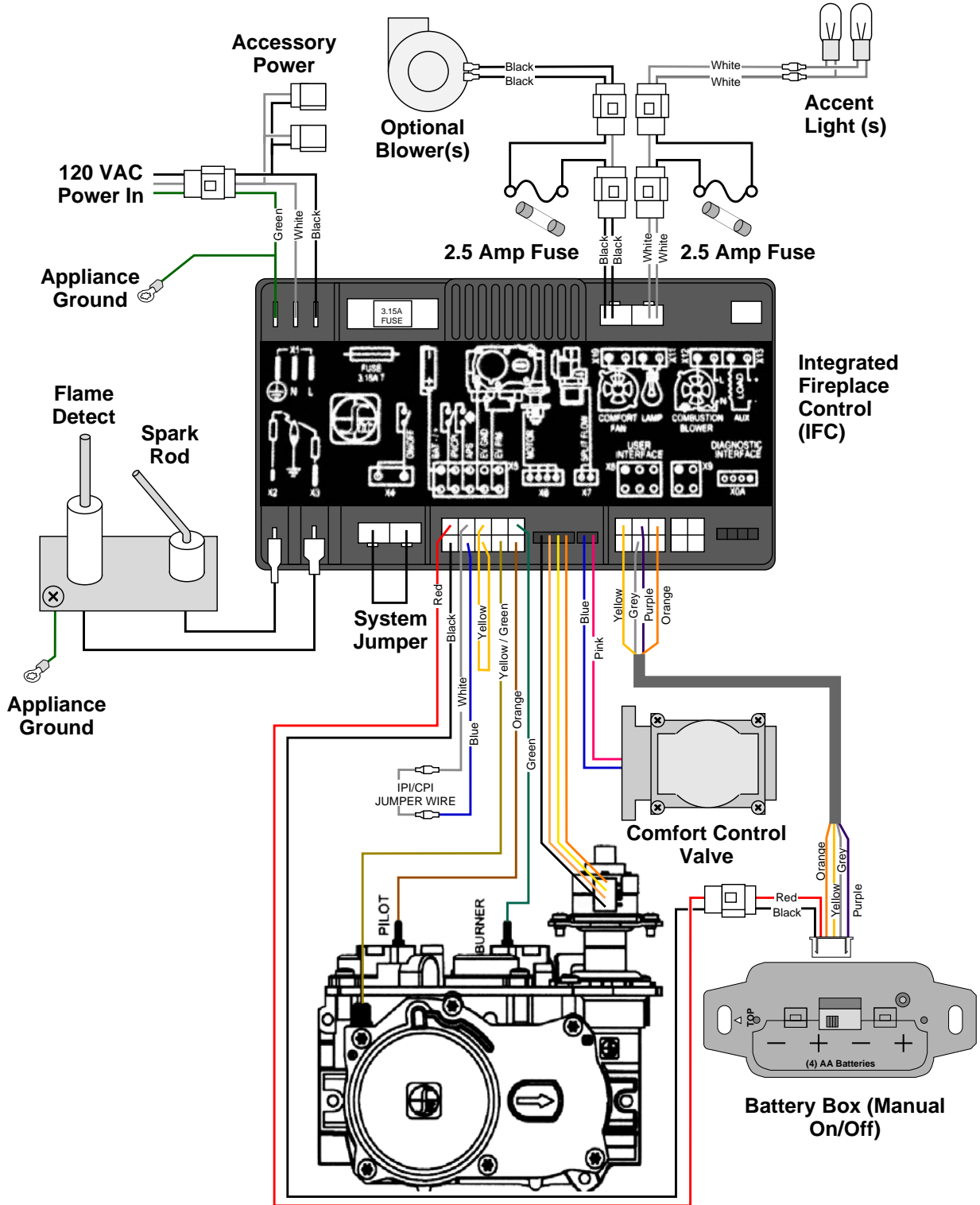
If you need to replace dead batteries, make sure to **turn the appliance off** before removing the batteries.

NOTE: If the batteries go dead, the system will operate normally as long as household power (120v AC) is present.

Base Wiring Diagram



GS2 Remote Wiring Diagram

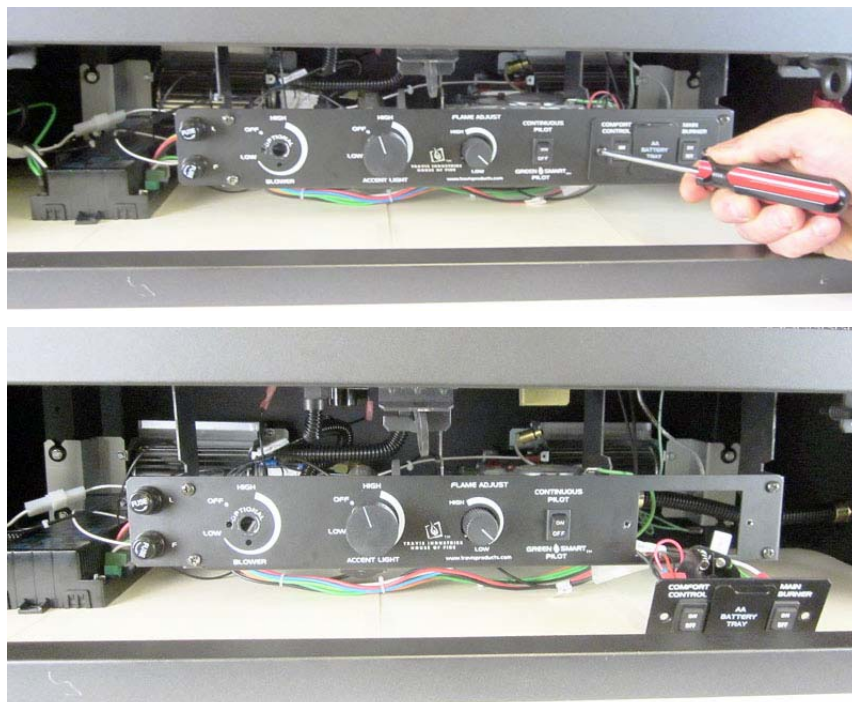


Installation

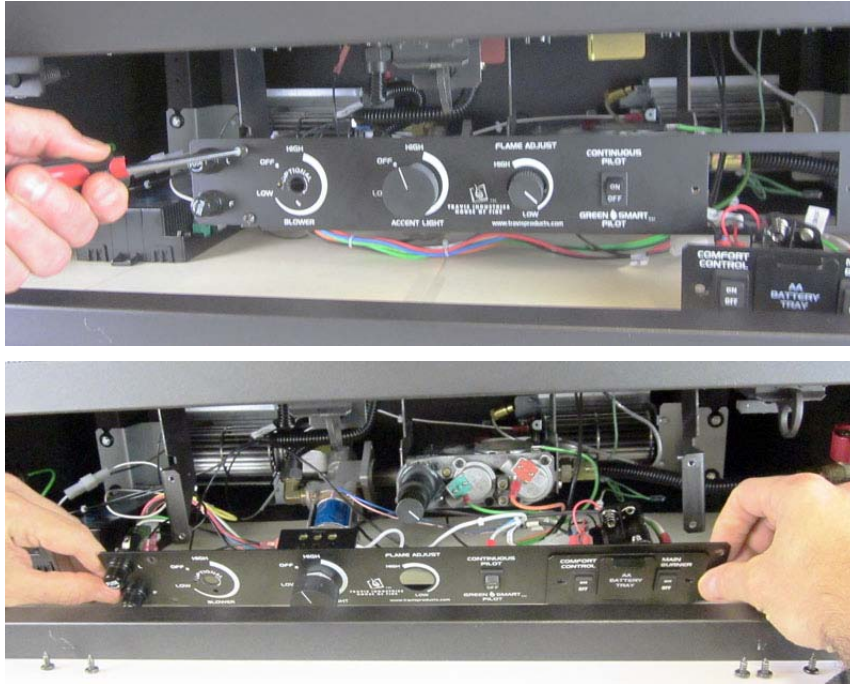
1. Remove the concealment cover from the heater and set aside.



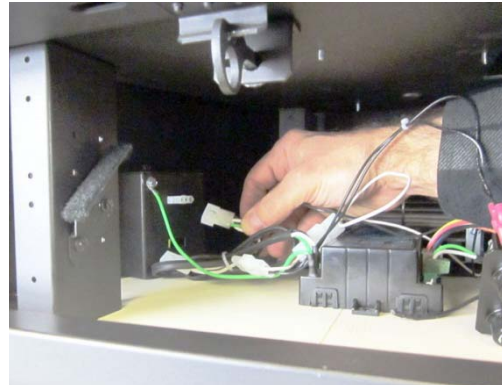
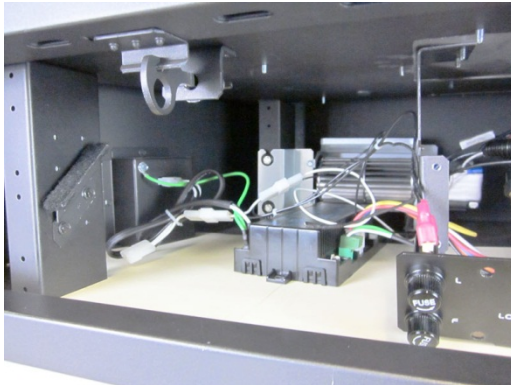
2. Remove the On/Off-Comfort Control-Battery Plate from the control panel (keep the screws).



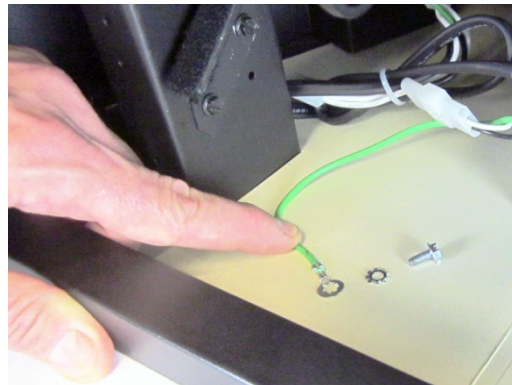
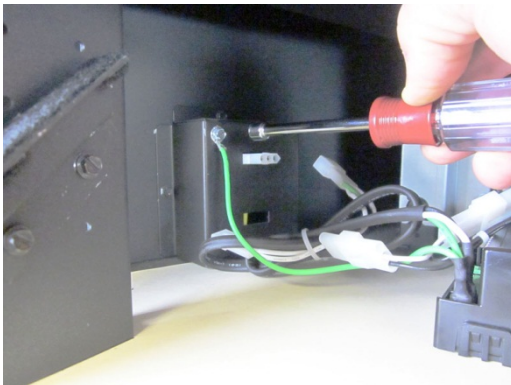
3. Remove the control panel and place face-down in front of the heater (keep the screws).



4. Disconnect input power.



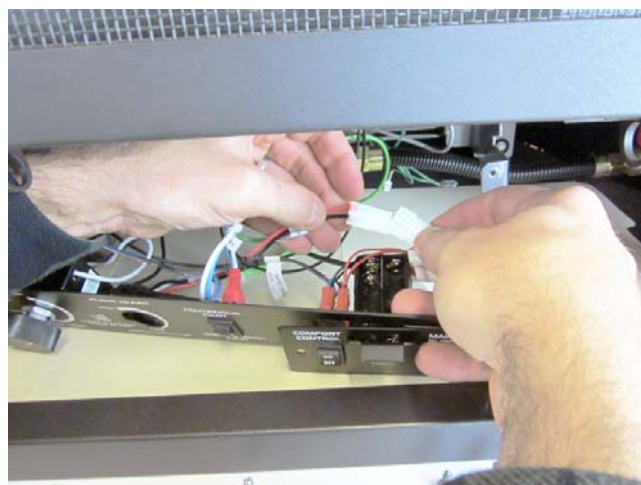
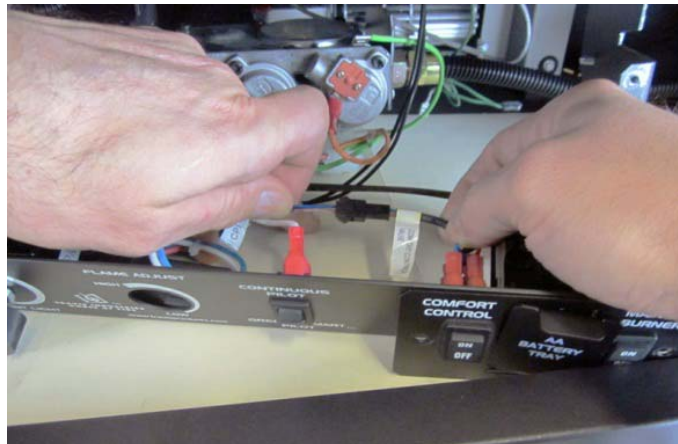
5. Disconnect the ground wire.



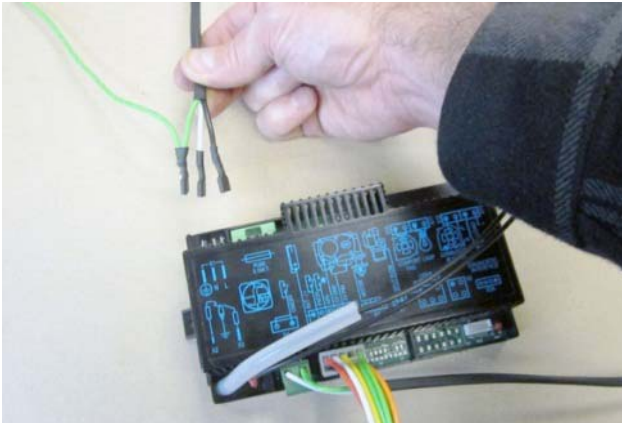
6. Pull the base IFC forward to access the wiring (it is held in place with Velcro).



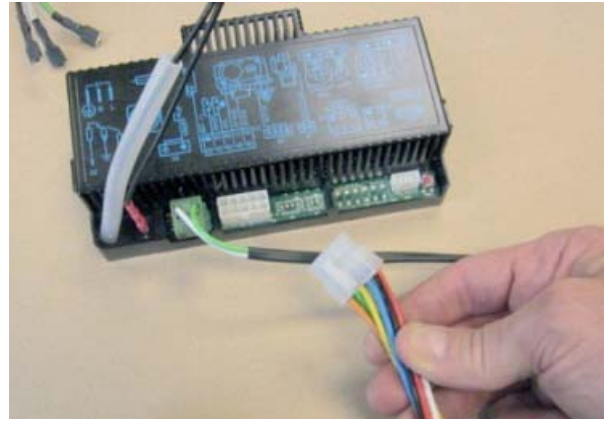
7. Disconnect the comfort control wires and battery backup wires from the battery holder.



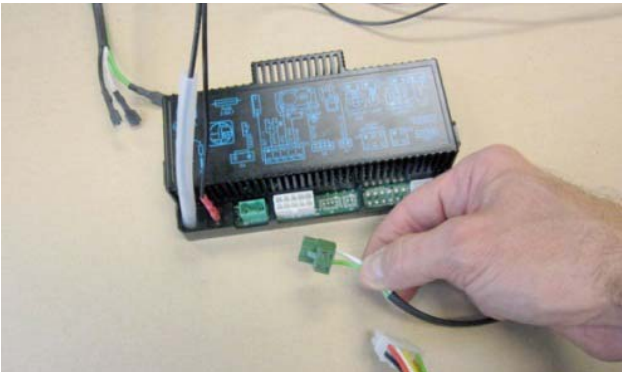
8. Disconnect the following:



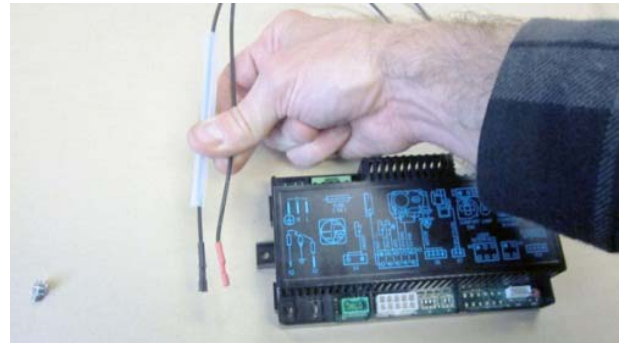
Power (3 wires)



Main harness

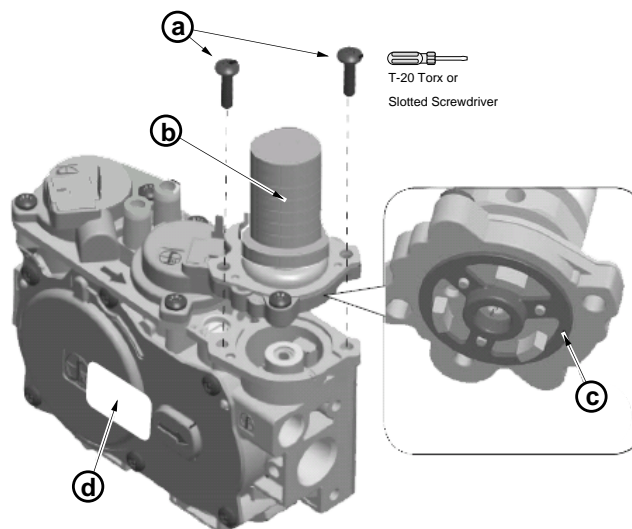


On/Off wires

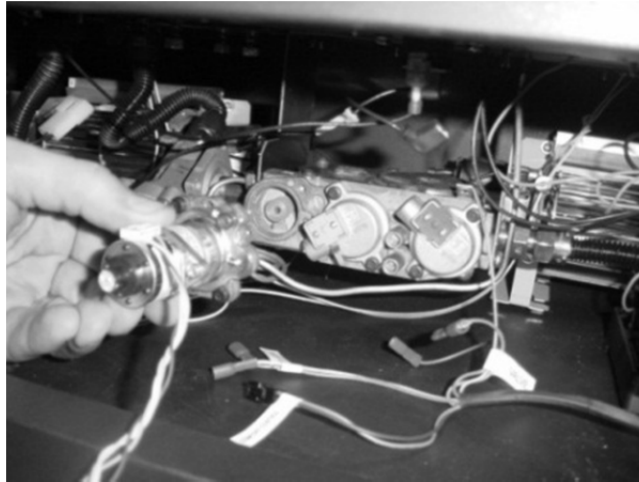


Pilot connections (slide silicone tubing up)

9. Remove and place aside the base IFC (it may be kept for spare parts).
10. Remove and place aside the On/Off-Comfort Control-Battery Plate with harness (the batteries and assembly may be kept for spare parts).
11. Remove and discard the screws (see "a" below) holding the stock regulator in place (see "b" below). Remove and discard the stock regulator, spring, and gasket (see "c" below).



12. The stepper motor (adjustable regulator) has an installation sheet included with it – make sure to follow all of the directions. Place the stepper motor on the gas control valve (see below) – **MAKE SURE IT IS CORRECTLY ORIENTED**. Secure using the screws included with the motor – tighten to 25 Lb-inches. Leak-test this area after installation to verify proper installation. Route the stepper motor wire near the IFC location.



Instructions for Using the Optional Blower with GS2 Remote

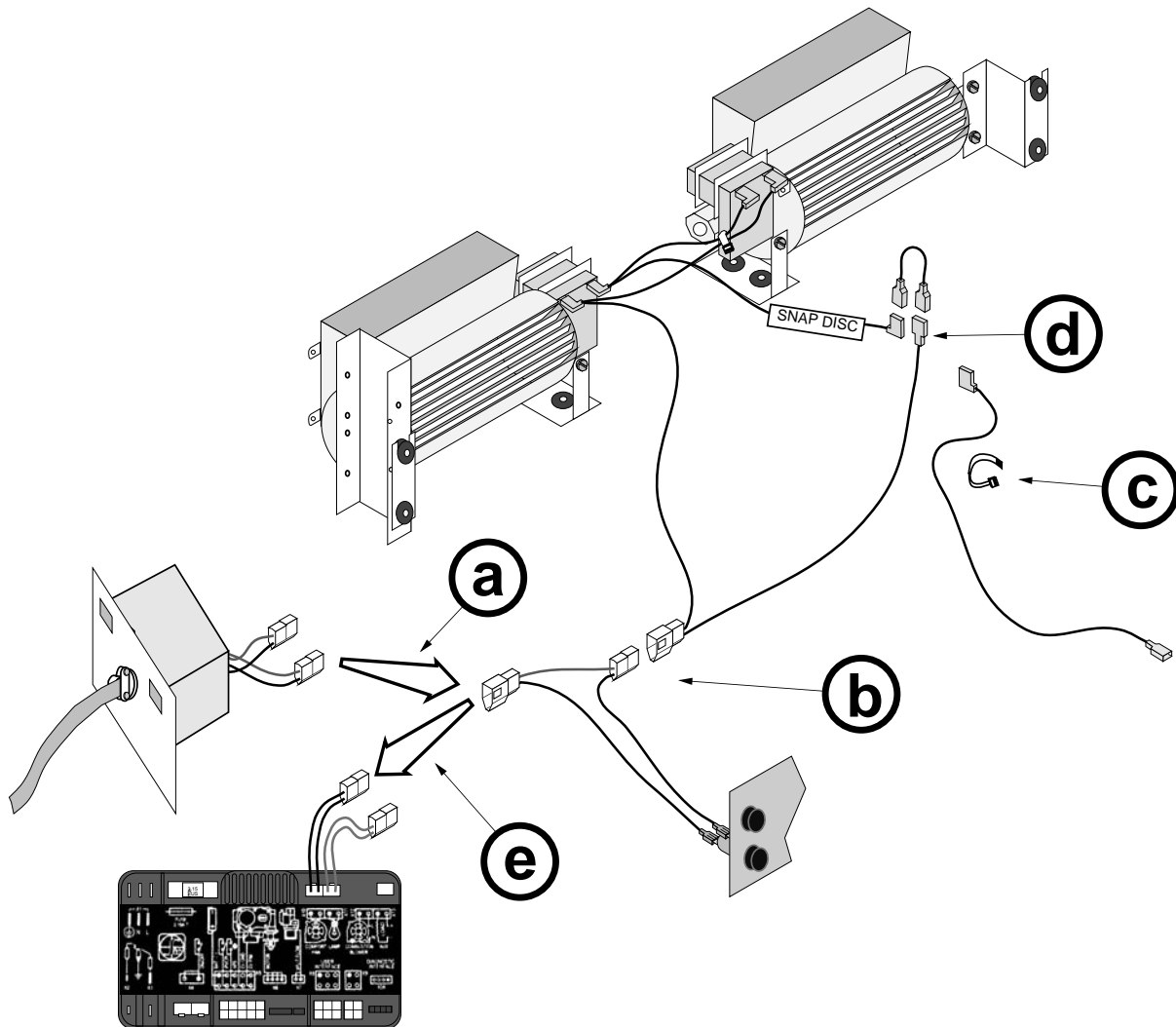
When using the Greensmart™ 2 remote, the power for the blower will be routed through the fuse and IFC, bypassing the rheostat and snap disc included with the blower kit.

Order of Installation

Install the blower assemblies with the IFC removed (see instructions included with the blower for details). Connect the wiring as shown below, attaching the power input to the IFC after the IFC is placed in location (see “e” below).

Wiring the Blower to the GSR2 IFC (Bypassing the Rheostat and Snap Disc)

Disconnect the blower power input (see “a” below). Connect the blower wiring harness to the fuse output (see “b” below). Disconnect and discard the electrical line intended to connect the snap disk to the rheostat (carefully remove the wire tie from the wiring harness – see “c”). Attach the jumper wire (included with the remote) to the wires labeled “SNAP DISC” (see “d” below). Attach the blower power input (see “e”) to “FAN” lead on the fuse harness (pre-connected to the IFC). This circuit bypasses the rheostat and snap disc (these components included with the blower kit are not used and may be kept for replacement part purposes).



13. Wire the accent light for remote operation.

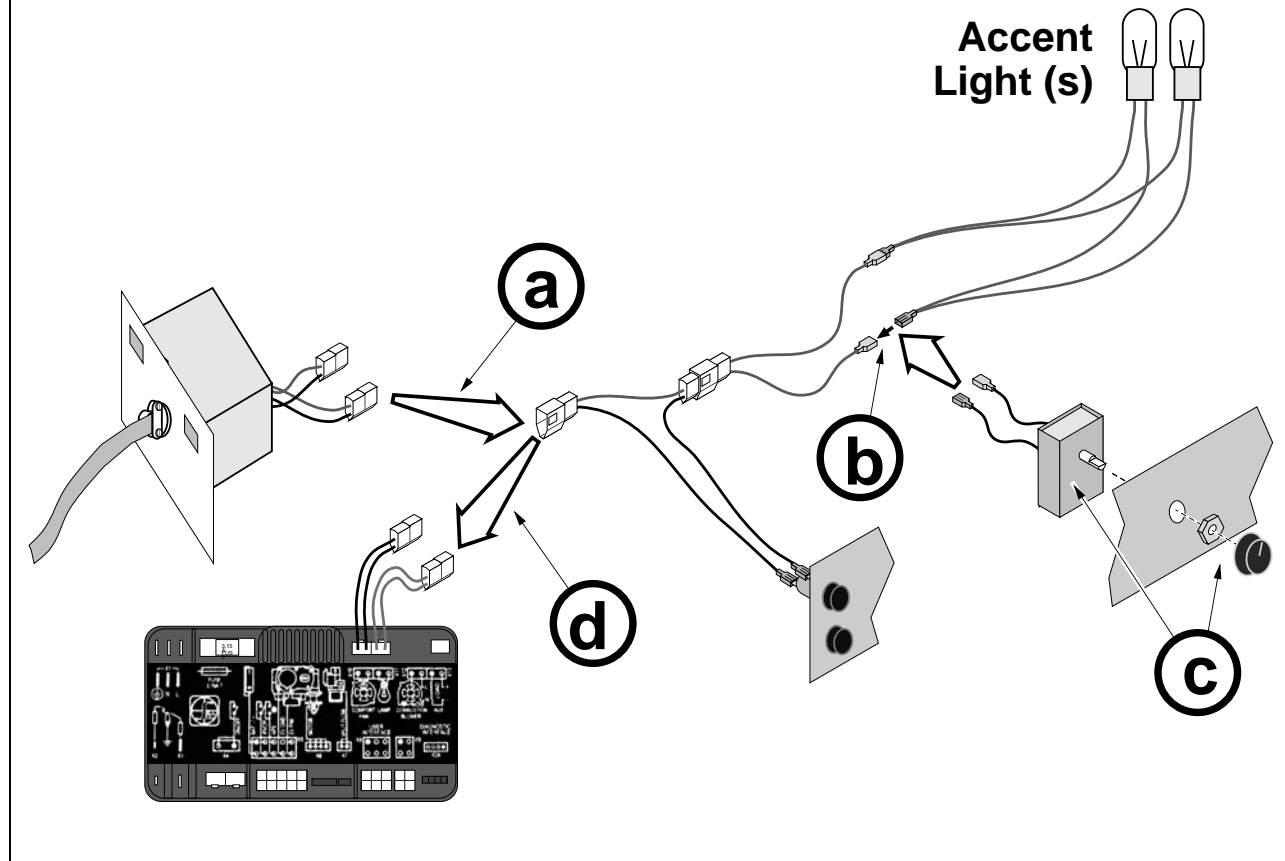
When using the Greensmart™ 2 remote, the power for the accent light(s) will be routed through the fuse and IFC, bypassing the rheostat.

Order of Installation

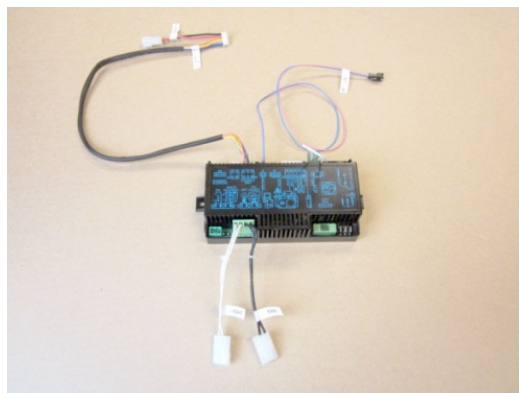
Connect the wiring with the IFC removed as shown below. Attach the power input to the IFC after the IFC is placed in location (see “a” below).

Wiring the Blower to the GSR2 IFC (Bypassing the Rheostat)

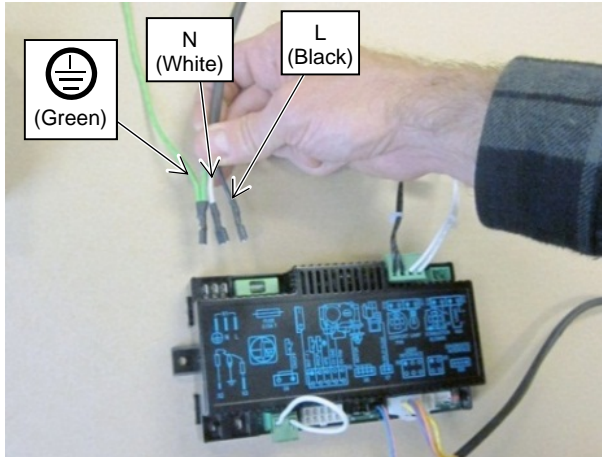
Disconnect the accent light power input (see “a” below). Disconnect the two wires leading to the rheostat and attach them together (see “b” below). Remove the rheostat from the control panel (see “c” below). Attach the accent light power input (see “d”) to “LIGHT” lead on the fuse harness (pre-connected to the IFC). This circuit bypasses the rheostat (this component is not used and may be kept for replacement part purposes).



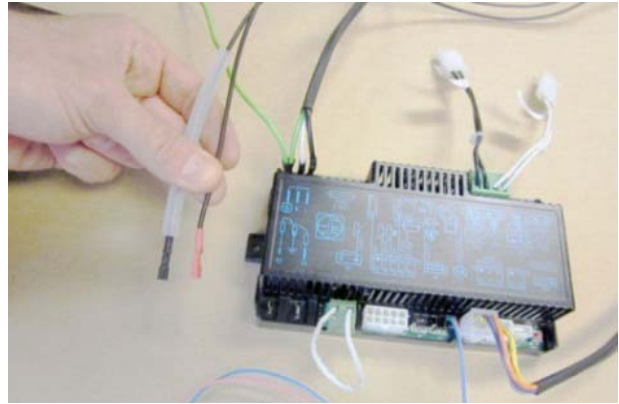
14. Place the GSR2 IFC near the appliance.



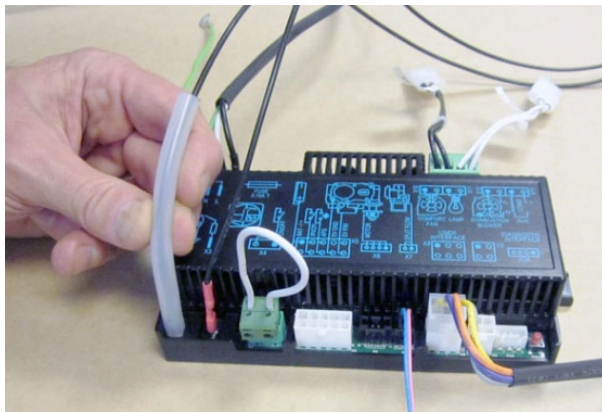
15. Attach the following:



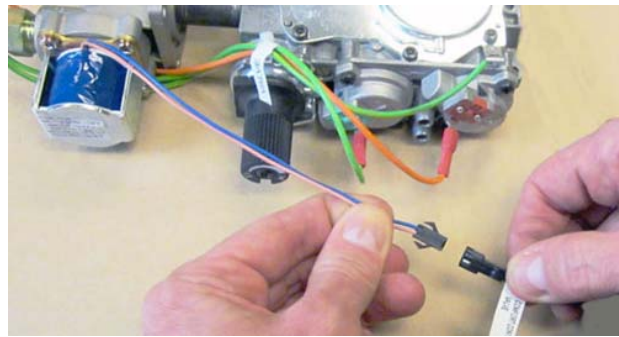
Power (3 wires – make sure orientation is correct)



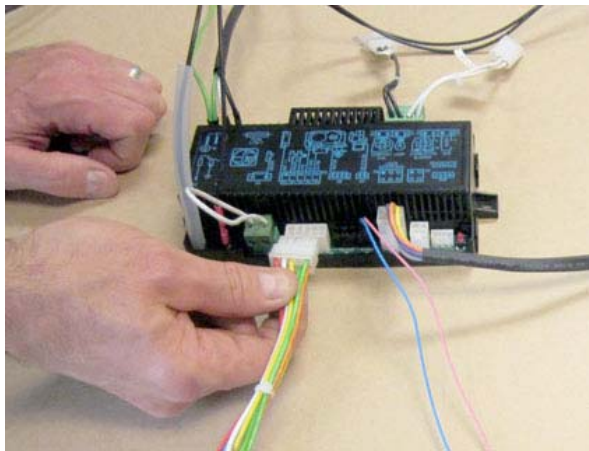
Pilot connections



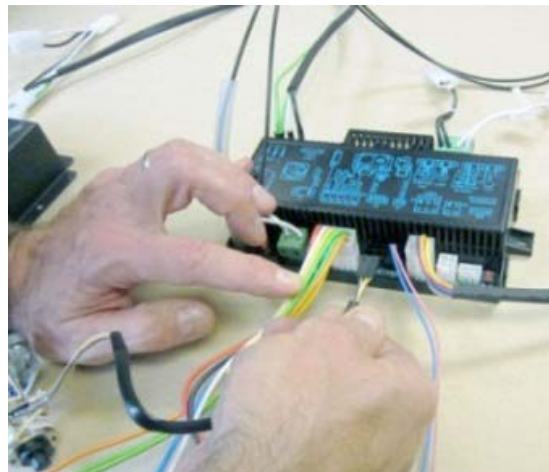
Make sure silicone tubing is pushed down



Comfort Control connection



Main Harness



Stepper Motor

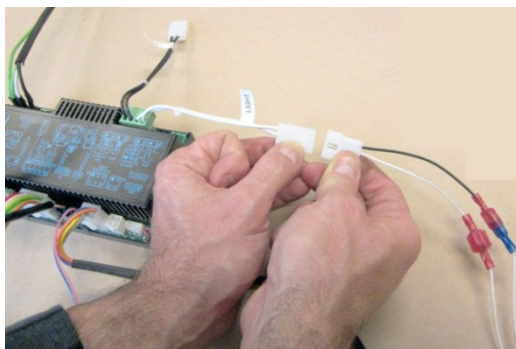
16. Disconnect the IPI/CP switch from IPI/CP wires. Attach one of the jumper wires to the two wires. Discard the IPI/CP switch.



17. Remove the IPI/CPI switch and place aside (may be kept for spare parts).

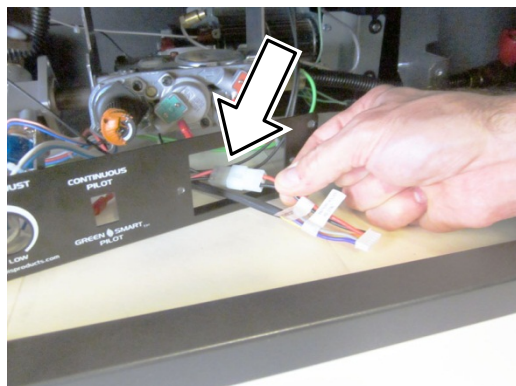


18. Connect the accent light wires to the GSR2 IFC.

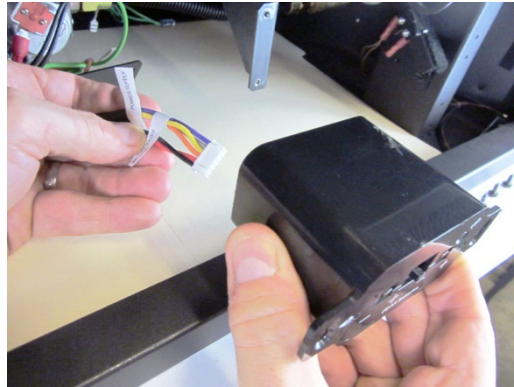
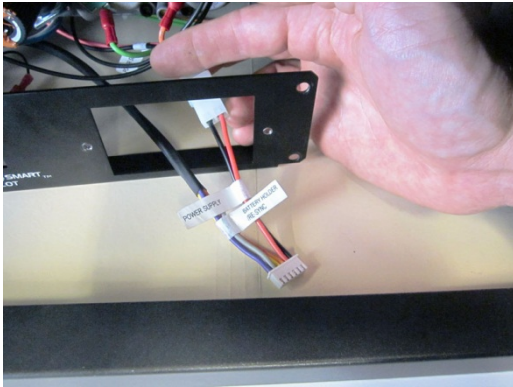


NOTE: If using a blower, connect the power input to the GSR2 IFC.

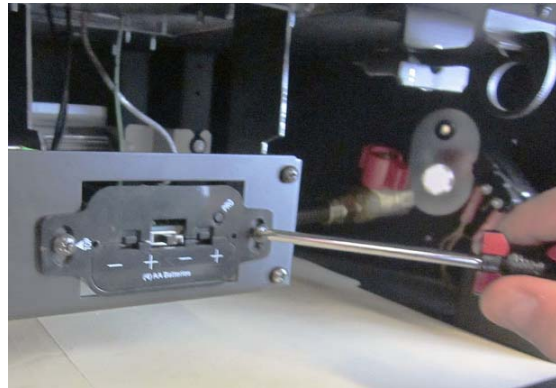
19. Connect the battery box power molex connector to the main harness molex connector.



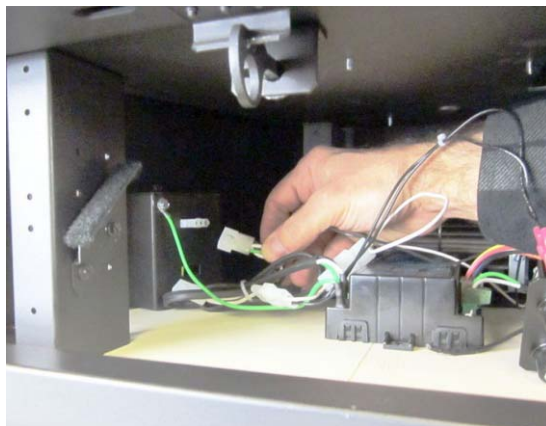
20. Route the battery box harness through the control panel and attach to the battery box.



21. Place the IFC in location inside the heater and attach using the applied velcro tape.
 22. Re-connect the ground wire.
 23. Use the two included cable ties to make sure all wiring is secure and does not contact any hot or moving parts.
 24. Attach the control panel.
 25. Attach the battery box to the control panel using the screws removed in step 2.



26. Re-connect the input power input.



27. Restore the fireplace to the correct configuration (turn power and gas on).

See the instructions included with the remote for synchronizing the remote and operating instructions.

Index

Additional Items Required	7	Optional Wall Switch or Thermostat Installation	17
Andiron Installation	59	Recommended Installation Procedure	7
Approved Vent Configurations	20	Rock Wool Placement	51
Dimensions	6	Safety Warnings.....	4
Electrical Connection	16	Side Standoff Installation	7
Extra Room Power Heat Duct.....	58	Side Vent Configuration with Horizontal Termination (no vertical rise).....	23
Facing Requirements	30	Side Vent Configuration with Horizontal Termination (with vertical rise)	24
Fireback Installation	55	Side Vent Configuration with Vertical Termination	25
Fireplace Placement Requirements	11	Steps for Finalizing the Installation	38
Gas Line Requirements	14	Termination Requirements	28
Glass Frame Removal and Installation	40	Top Vent Configuration with Horizontal Termination	26
Grill Installation.....	57	Top Vent Configuration with Vertical Termination	27
GS2 Remote Installation	60	Top Vent or Side Vent Configuration	9
Hearth Requirements	29	Vent Requirements	18
Heating Specifications.....	6		
Installation Options.....	6		
Log Set Installation.....	42		
LP Conversion Instructions	52		
Mantel Requirements	37		
Massachusetts Requirements.....	8		