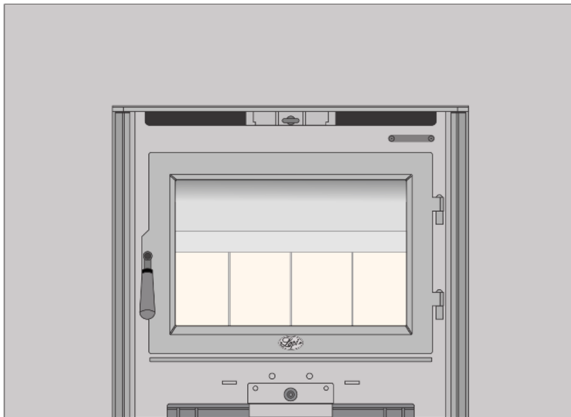




Evergreen Insert Manual

- Masonry Fireplace Insert
- Zero-Clearance (Metal) Fireplace Insert

Save these instructions for future reference



⚠ WARNING



**HOT GLASS WILL CAUSE BURNS.
DO NOT TOUCH GLASS UNTIL COOLED.
NEVER ALLOW CHILDREN TO TOUCH GLASS.**

SAFETY NOTICE:

If this appliance is not properly installed, a house fire may result. For your safety, follow the installation directions. Contact local building or fire officials about restrictions and installation inspection requirements in your area.

French language manuals at fireplacex.com.
Manuels de langue Française à fireplacex.com



**TRAVIS INDUSTRIES
HOUSE OF FIRE**

Travis Industries, Inc.
12521 Harbour Reach Dr..
Mukilteo, WA 98275

© Copyright 2021, T.I.
\$10.00 100-01560
8/8/2022



Listed by
Omni-Test Laboratories, Inc.
Report #0028WN119S & 0028WS119E
Certified to UL STD 1482-11 (R2015)
Certified to ULC S268-93

Introduction

We welcome you as a new owner of a Lopi Evergreen wood-burning insert. In purchasing a Lopi Evergreen, you have joined the growing ranks of concerned individuals whose selection of an energy system reflects both a concern for the environment and aesthetics. The Lopi Evergreen is one of the finest appliances the world over. This manual will explain the installation, operation, and maintenance of this appliance. Please familiarize yourself with the manual before operating your appliance and save the manual for future reference. Included are helpful hints and suggestions which will make the installation and operation of your new appliance an easier and more enjoyable experience. We offer our continual support and guidance to help you achieve the maximum benefit and enjoyment from your appliance.

Important Information

No other Lopi Evergreen appliance has the same serial number as yours. The serial number is stamped onto the label on the back of the appliance.

This serial number will be needed in case you require service of any type.

Model: _____ Lopi Evergreen Insert

Serial Number: _____

Purchase Date: _____

Purchased From: _____

Register your warranty online at:

traviswarranty.com

Save Your Bill of Sale.

To receive full warranty coverage, you will need to show evidence of the date you purchased your heater.

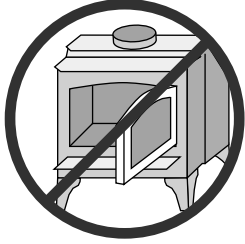
We suggest that you attach your Bill of Sale to this page so that you will have all the information you need in one place should the need for service or information occur.



We suggest that our woodburning hearth products be installed and serviced by professionals who are certified in the U.S. by the National Fireplace Institute® (NFI) as NFI Woodburning Specialists or who are certified in Canada by Wood Energy Technical Training (WETT).



Introduction	2	Understanding Your Heater’s Combustion System	21
Important Information	2	Burning Your Heater	21
Installation Options	6	Ash Removal	22
Features	6	Optional Blower Operation	22
Heating Specifications	6	Re-Loading the Stove	22
Dimensions	6	Overnight Burn	22
Emissions	6	Normal Operating Sounds	23
Planning the Installation	7	Hints for Burning	23
Preparation for Installation	7	Selecting Wood	23
Installation Considerations	7	Why Dry Wood is Key	24
Packing List	7	Wood Cutting and Storage	24
Additional Accessories Needed for Installation ..	7	Do Not Burn List	24
Fireplace Requirements	8	Troubleshooting	25
Fireplace Altered Tag	8	Maintaining your Appliance	26
Insert Placement Requirements	9	Daily Maintenance (while appliance is in use)	26
Masonry Fireplace - Hearth Extension Requirements	9	Remove Ash (if necessary)	26
Masonry Fireplace Requirements	10	Clean the Glass (if necessary)	26
Zero-Clearance (Metal) Fireplace - Hearth Requirements	10	Monthly Maintenance (while appliance is in use)	27
Mantel Requirements	11	Door and Glass Inspection	27
Zero-Clearance (Metal) Fireplace Requirements ..	12	Door Adjustment	27
Drafting Performance	13	Creosote - Formation and Need for Removal	27
Insert Rollers	13	Yearly Maintenance	28
Leveling Bolt Installation	13	Touch-Up Paint	28
Insert with Positive Connection	14	Cleaning the Air Duct and Blower (if applicable)	28
Flue Installation	14	Firebrick and Baffle Inspection	28
Insert with Direct Connection (Masonry Fireplace)	15	Door Parts	29
Surround Panel Installation	16	Replacing the Glass	29
Safety Notice	17	Replacing the Door Gasket	29
Before Your First Fire	17	Removing the Door	29
Verify the Installation	17	Firebox Parts	30
Curing the Paint	17	Air Tube Identification	31
Carbon Monoxide (CO) Emissions	17	Firebrick Removal & Replacement	31
Over-Firing the Stove	17	Air Tube Removal & Replacement	32
Opening the Door	18	Baffle Removal & Replacement	33
Bypass Operation	18	Listing Label	39
Adjusting the Burn Rate	19	Front Blower (part # 99000132) -Optional	40
Starting a Fire	20	To Switch the Power Cord to the Left Side:	40
		Installation	40



The viewing door must be closed and latched during operation.

Smoke from this appliance may activate a smoke detector when the door is open.

Never block free airflow through the air vents on this appliance.



Gasoline or other flammable liquids must never be used to start the fire or "Freshen Up" the fire. Do not store or use gasoline or other flammable liquids in the vicinity of this appliance.



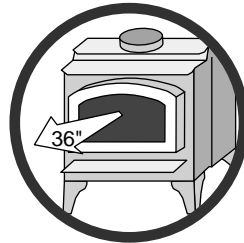
This appliance is designed and approved for the burning of cordwood only. Do not attempt to burn any other type of fuel other than cordwood in this appliance, it will void all warranties and safety listings.



Ashes must be disposed of in a metal container with a tight lid and placed on a non-combustible surface well away from the home or structure.



Do not touch the appliance while it is hot and educate all children of the danger of a high-temperature appliance. Young children should be supervised when they are in the same room as the appliance.



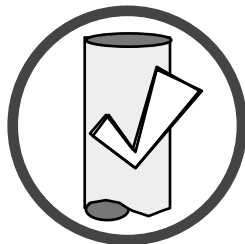
Keep furniture, drapes, curtains, wood, paper, and other combustibles a minimum of 36" away from the front of the appliance.



This appliance must be properly installed to prevent the possibility of a house fire. The instructions must be strictly adhered to. Do not use makeshift methods or compromise in the installation.

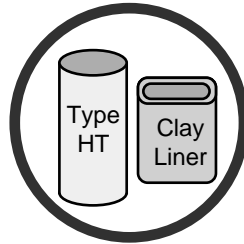


Contact your local building officials to obtain a permit and information on any installation restrictions or inspection requirements in your area. Notify your insurance company of this appliance as well.

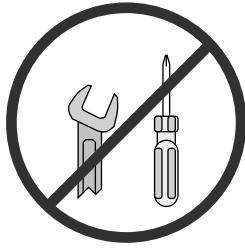


Inspect the chimney connector and chimney at least twice monthly and clean if necessary. Creosote may build up and cause a house fire.

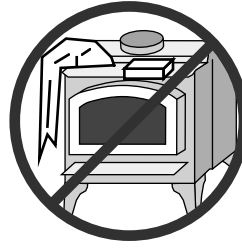
Do not connect this appliance to any chimney serving another appliance.



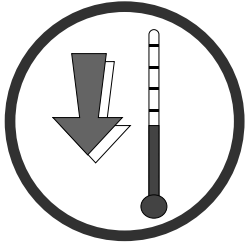
This appliance must be connected to a listed high temperature (UL 103 HT) residential type chimney or an approved masonry chimney with a standard clay tile, or stainless steel liner.



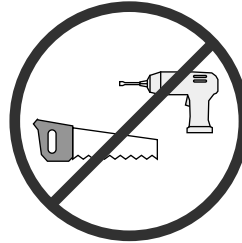
Never try to repair or replace any part of this appliance unless instructions are given in this manual. All other work must be done by a trained technician. Do not make any changes or modifications to an existing masonry fireplace or chimney to install this appliance.



Do not place clothing or other flammable items on or near this appliance.



Allow the appliance to cool before carrying out any maintenance or cleaning.



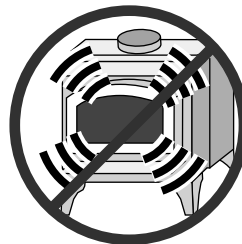
This wood heater has a manufacturer-set minimum low burn rate that must not be altered. It is against federal regulations to alter this setting or otherwise operate this wood heater in a manner inconsistent with operating instructions in this manual.



Maintain the door and glass seal and keep them in good condition.

Do not operate this heater with broken or missing glass.

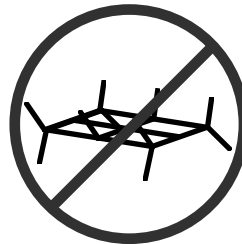
Avoid placing wood against the glass when loading. Do not slam the door or strike the glass.



Overfiring the appliance may cause a house fire. If a unit or chimney connector glows, you are overfiring.



Do not throw this manual away. This manual has important operating and maintenance instructions that you will need at a later time. Always follow the instructions in this manual.



Do not use a grate or other device to elevate the fire off of the firebox floor. Burn the fire directly on the bricks.



Travis Industries, Inc. grants no warranty, implied or stated, for the installation or maintenance of your appliance, and assumes no responsibility for any consequential damage(s).

Smoke and CO Detectors: Make sure your home has a working smoke detector, especially near any bedrooms. We recommend having a smoke and/or CO detector in the same room as the wood heater for additional safety.

Proposition 65 Warning: Fuels used in gas, woodburning or oil-fired appliances, and the products of combustion of such fuels, contain chemicals known to the State of California to cause cancer, birth defects, and other reproductive harm. California Health & Safety Code Sec. 25249.6

Travis Wood Burning Fireplaces, Stoves, and Inserts are protected by one or more of the following patents; U.S. 9,170,025 4,665,889 as well as other U.S. and Foreign Patents pending.

This wood heater needs periodic inspection and repair for proper operation. It is against federal regulations to operate this wood heater in a manner inconsistent with operating instructions in this manual.

This insert requires an air source to operate. Combustion air starvation will result in poor performance or smoke in the house

6

Fireplace Insert Installation (for qualified installers only)

Installation Options

- Masonry Fireplace Insert
- Zero-Clearance (Metal) Fireplace Insert

Features

- Single Operating Control
- Steel Plate Construction (1/4" & 3/16")
- Heavy Duty Refractory Firebrick
- Optional High-Tech Blower

Heating Specifications

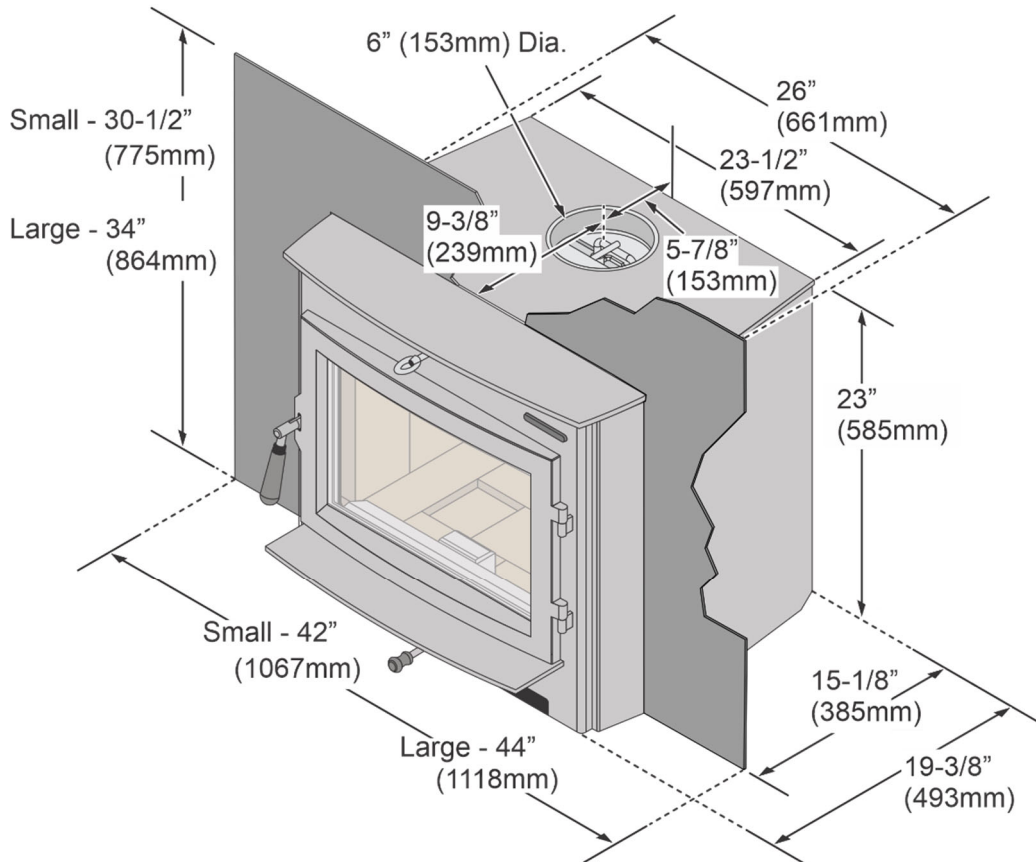
Approximate Maximum Heating Capacity (in square feet)*	up to 2,000 (185 square meters)
EPA Tested Cord Wood BTUs per Hour**	12,772 to 70,720
Maximum Burn Time	Up to 10 Hours

* Heating capacity will vary depending on the home's floor plan, degree of insulation, and the outside temperature. It is also affected by the quality and moisture level of the fuel.

** EPA tests to determine BTU output are achieved with a single load of wood at each burn rate. At home, you are likely to add more wood to your stove to maintain your desired comfort level. By the simple process of loading your stove with additional wood, you could achieve up to a 20% higher heat output than established during EPA testing.

This model was tested for efficiency using method B415.1-10 and was determined to have a weighted average Higher Heating Value (HHV) Overall Heating Efficiency (OHE) of 77.1%. Overall efficiency of the heater may be lower if the heater is operated without a heat exchange blower or with the installed heat exchange blower turned off.

Dimensions



Emissions

This heater meets the 2020 U.S. EPA's cord wood emission limits for wood heaters. Tested to EPA Alt-125, ASTM E3053-17, ASTM 2515-11, CSA B415.1-10 this heater has been shown to deliver heat at rates ranging from 12,772 to 70,720 BTU/hr and an emission value of 1.52g/h. Report No. 0028WS119E



SAFETY NOTICE:

Please read this entire manual before you install and use your new room heater. Failure to follow instructions may result in property damage, bodily injury, or even death. Contact local building or fire officials about restrictions and installation inspection requirements in your area.

Planning the Installation



We suggest that you have an authorized Travis Industries dealer install your fireplace insert. If you install the fireplace insert yourself, your authorized dealer should review your installation plans.



Check with local building officials for any permits required for installation of this fireplace insert and notify your insurance company before proceeding with installation.

Preparation for Installation

- Check for damage to the exterior of the fireplace insert (dents should be reported, scratches can be fixed by applying touch up paint).
- Check the interior of the firebox (replace cracked firebrick and make sure baffle is in place).



The fireplace insert can be lightened by removing the firebricks (pg 31) - replace before operation.

Installation Considerations

Installation Type	Considerations
Insert with Positive Flue (Full Reline) (Page 14)	<ul style="list-style-type: none"> • Utilizes existing masonry or zero clearance fireplace • Provides best draft • Easiest to clean
Insert with Direct Connect Flue (Page 15)	<ul style="list-style-type: none"> • Masonry fireplace only • Provides good draft • Requires fireplace block-off plate

Packing List

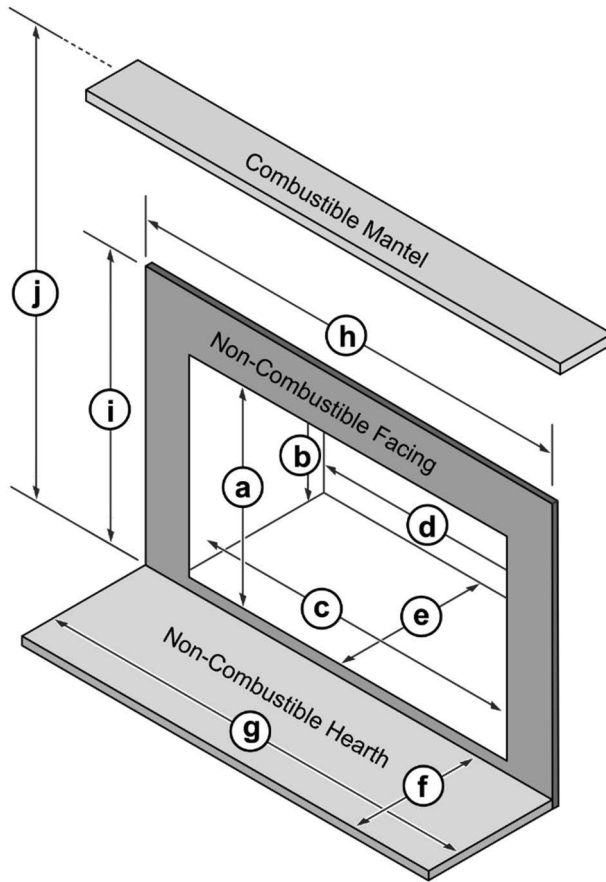
- Wood Moisture Meter
- Bypass tool
- Gloves

Additional Accessories Needed for Installation

- Surround Panels (see page 16)

Fireplace Requirements

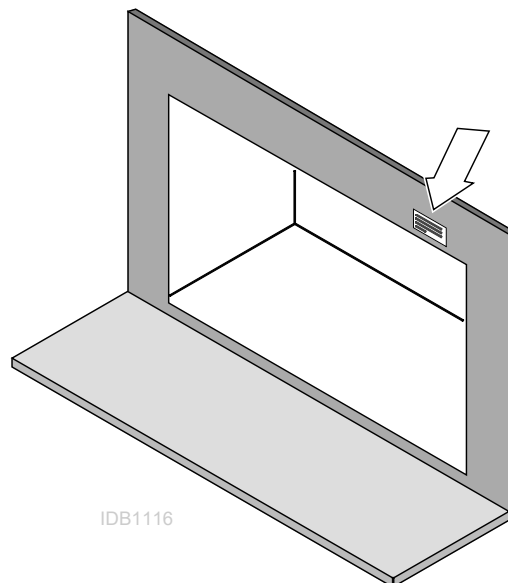
Minimum fireplace size requirements are shown below.



Minimum Fireplace Size	
(a) Height (front)	23-1/4" (591mm)
(b) Height (rear)	23-1/4" (591mm)
(c) Width (front)	26-1/4" (667mm)
(d) Width (rear)	23-3/4" (603mm)
(e) Depth*	15-1/4" (388mm)
(f) Hearth Depth (Includes insert depth on hearth plus required hearth extension)	20-1/4" (515mm) US
	22-1/4" (566mm) CA
(g) Hearth Width	35-5/8" (905mm) US
	39-5/8" (1007mm) CA
(h) Facing Width	42" (1067mm)
(i) Facing Height (above base of insert)	36-3/4" (934mm)
(j) Mantel Height (above base of insert)	43" (1093mm)

Fireplace Altered Tag

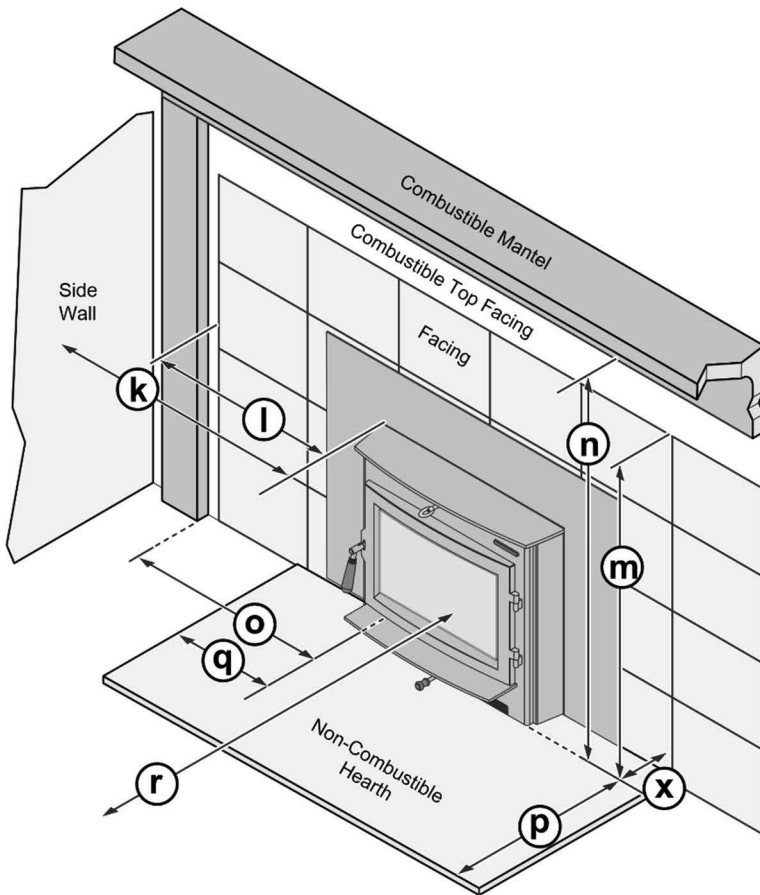
Attach the "This fireplace has been altered..." plate to the fireplace (use two screws or other suitable method). You may wish to place it in a location where it will be covered by the surround panels.



IDB1116

Insert Placement Requirements

- The insert must be placed so that no combustibles are within, or can swing within (e.g. drapes, doors), 36" of the front of the insert.
- Insert and hearth must be installed on a level, secure floor
- The minimum clearances, facing, and hearth requirements listed below must be met. Follow the clearances for the type of fireplace being used – (masonry or zero-clearance-metal).



Minimum Clearances	
(k) Sidewall	18" (458mm)
(l) Side Facing	8" (204mm)
(m) Top Facing	36-3/4" (934mm)
(n) Mantel Max. Depth 12" (305mm)	43" (1093mm)
(o) Mantel Leg Max. Depth 9-1/2" (242mm)	8" (204mm)
(p) Front Hearth (does <u>not</u> include insert extension "x")	16" (407mm) (US)
	18" (458mm) (Canada)
(q) Side Hearth	6" (153mm) (US)
	8" (204mm) (Canada)
(r) Front of Insert	36" (915mm)
(x) Extension onto Hearth*	4-1/4"* (108mm*)

*This dimension is for a panel with no trim. If using the optional trim the insert will extend 5-1/2" (134mm) onto the hearth.

Masonry Fireplace - Hearth Extension Requirements

- Must extend 16" (USA) or 18" (Canada) in front of the insert and 6" (USA) or 8" (Canada) on both sides

From chart above	USA - min. 20-1/4" (515mm) deep by 35-5/8" (905mm) wide
(x) + (p) = Min. hearth required from front of fireplace opening	Canada - min. 22-1/4" (566mm) deep by 39-5/8" (1007mm) wide

- Masonry hearth extensions must be non-combustible and at least .018" thick (26 gauge).

Masonry Fireplace Requirements

CANADA ONLY:

The fireplace insert must be installed with a continuous chimney liner of 6" diameter extending from the fireplace insert to the top of the chimney. The chimney liner must conform to the Class 3 requirement of Can/ULC S635, Standard Lining Systems for Existing Masonry or Factory- Built Chimney & Vents, or CAN/ULC S640, Standard for Lining Systems for New Masonry Chimneys.

- Chimney must have a clay tile liner or a stainless steel liner (positive connection).
- Entire fireplace, including chimney, must be clean and undamaged. Any damage must be repaired prior to the installation of the insert.
- Chimney height: 15' (4.5M) minimum; 33' (10M) maximum.
- The fireplace insert must be placed on a masonry hearth built to UBC standards.
- Do not remove bricks or mortar from the existing fireplace.

EXCEPTION: Masonry or steel, including the damper plate, may be removed from the smoke shelf and adjacent damper frame if necessary to accommodate a chimney liner, provided that the removal will not weaken the structure of the fireplace and chimney, and will not reduce protection for combustible materials to less than that required by the National Building Code.

- Remove or lock the fireplace damper in the open position.
- Permanently seal any opening between the masonry of the fireplace and the facing masonry.

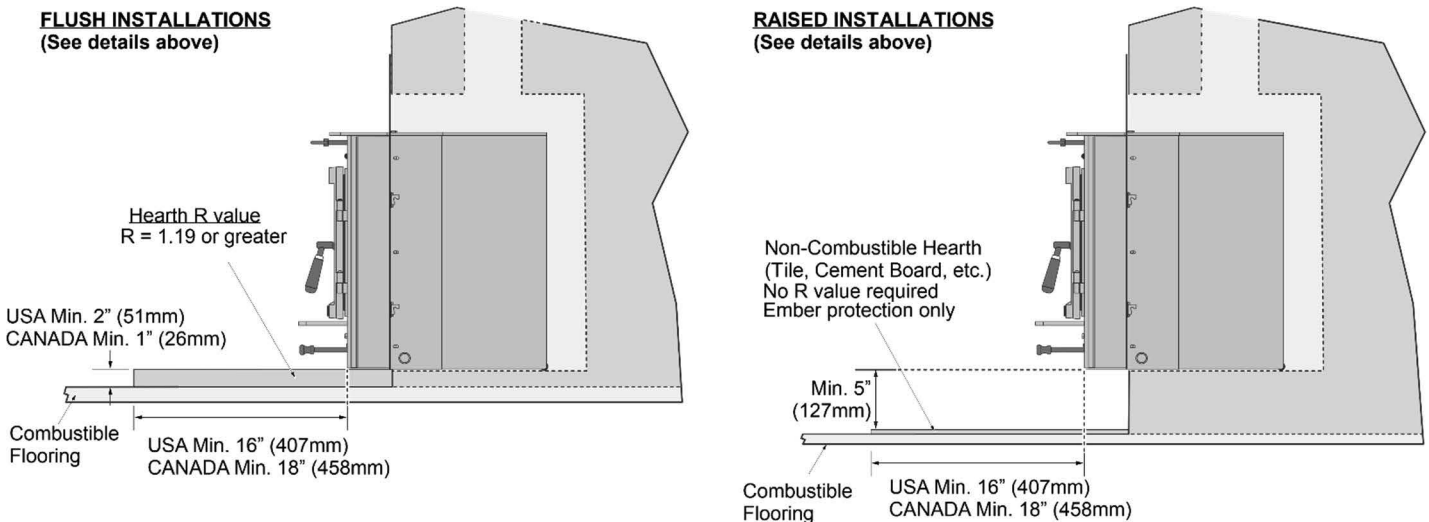
Zero-Clearance (Metal) Fireplace - Hearth Requirements

FLUSH INSTALLATIONS (insert raised less than 5" (127mm) above a combustible floor):

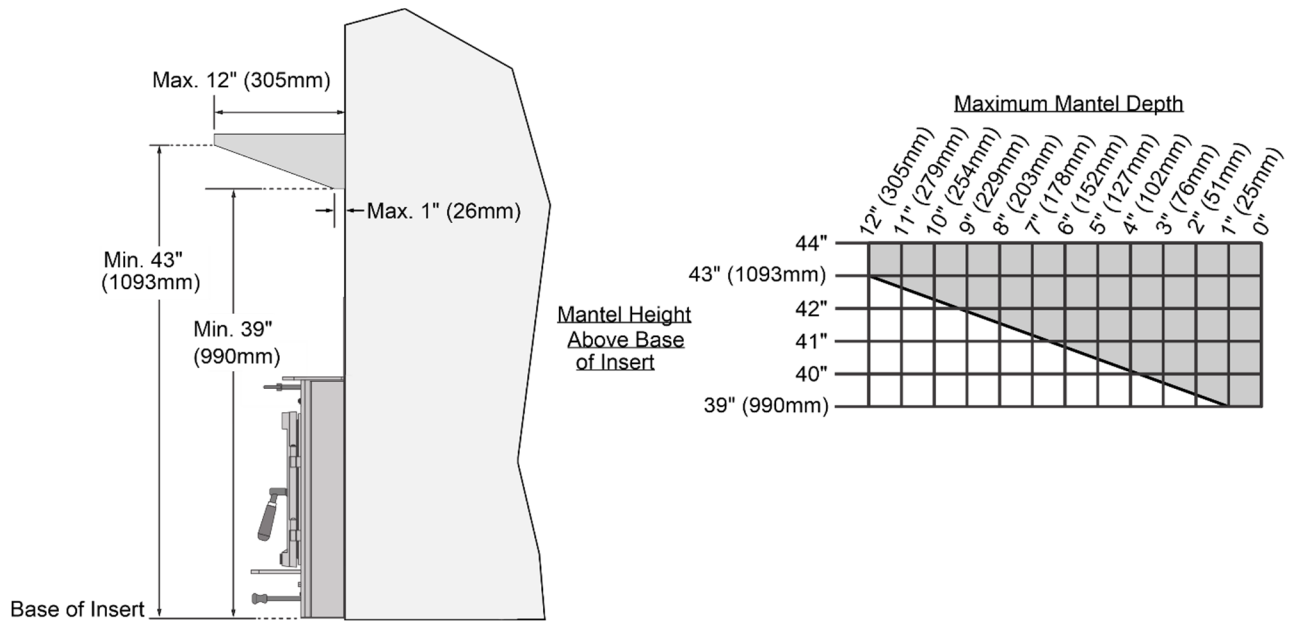
The hearth must provide an R-value (thermal resistance) of 1.19 or greater. In the USA the hearth must extend a minimum of 16" (407mm) in front of the fireplace insert. In CANADA the hearth must extend a minimum of 18" (458mm) in front of the fireplace insert. The hearth must extend 6" (153mm) (US) or 8" (204mm) (Can) from both sides of the insert.

RAISED INSTALLATIONS (insert raised a minimum 5" (127mm) above the floor):

If the base of the insert is a minimum of 5" (127mm) above the combustible floor (carpet, wood, etc.) the hearth must extend 16" 407mm (USA) / 18" 458mm (CANADA) in front of the insert. The hearth must extend 6" (153mm) (US) or 8" (204mm) (Can) from both sides of the insert. The hearth must be non-combustible (cement board, tile, etc.) but does not need to meet an R-value (thermal resistance).



Mantel Requirements



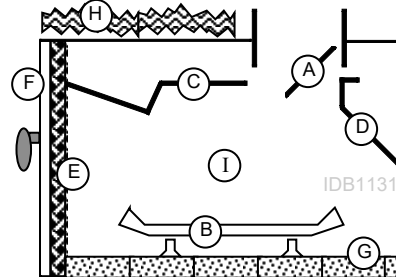
Mantel Clearances

The maximum mantel depth is 12" (305mm).

NOTE: The combustible area above the non-combustible facing must not protrude more than 3/4" (20mm) from the facing. If it does, it is considered a mantel and must meet the mantel requirements listed in this manual.

Zero-Clearance (Metal) Fireplace Requirements

- Must be manufactured by one of the following manufacturers:
 - Marco • Majestic • Heatilator • Preway • Tempco • Superior
 - Heat N Glo • Lennox • Martin • Monesson
- Entire fireplace, including chimney, must meet local building requirements
- Chimney height: 15' minimum; 33' maximum.
- The damper ("A") and grate ("B") must be removed (see illustration to the right). The smoke shelf ("C"), internal baffles ("D"), screen ("E"), and metal or glass doors ("F") may be removed (if applicable). The masonry lining ("G"), insulation ("H"), and any structured rigid frame members (metal sides, floor, door frame, face of the fireplace, etc. – "I") may not be removed or altered.



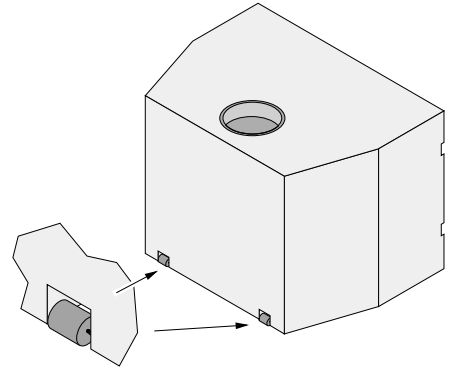
- The chimney on the ZC fireplace must be listed per UL 127 or ULC 610-M87 for all installations. Any thermal protection component of the fireplace or chimney must remain in place. The fireplace and chimney must be inspected prior to installation. A NFPA 211 Level II inspection is recommended. Repairs must be made prior to insert installation. The base of the fireplace must be structurally sound and able to support the weight of the insert.
- The stainless steel liner must be 6" in diameter and extend the full height of the chimney (also called a positive connection or full re-line). This liner must meet type HT (2100°F) requirements per UL 1777 (USA) or ULC S635 with "0" clearance to masonry (Canada). The liner must be attached to the insert flue collar and to the top of the existing chimney.
- We recommend using the listed Travis ZC Liner Kit from Duravent (SKU 98900046, 47, or 48). If you do not use this kit, you must use the original ZC chimney cap.
- The liner support and cap at the top of the chimney must not reduce airflow for the existing air-cooled chimney system. The Travis ZC Liner Kit includes a cap that meets this provision.
- To prevent air from passing up the ZC fireplace chimney (the gap between the liner and chimney) we recommend sealing the area near the damper. Use non-combustible material to seal this area (non-backed fiberglass insulation or kaowool).
- The convection air channel on the fireplace must not be blocked. Do not block any louvers, grills, or air passages on the front of the fireplace.
- Entire fireplace, including chimney, must meet local building requirements. Permits may be required for installation. Final approval is contingent upon the authority having local jurisdiction. Inform your insurance agent of this fireplace insert.
- Factory-Built (Z.C.) Fireplace hearth floor protection must be 3/8" (9.5mm) minimum non-combustible material or equivalent, extending 16" in front of insert and 8" to both sides for US installations and 18" (458mm) in front of insert and 8" (204mm) to both sides in Canada.

Drafting Performance

Draft is the force that moves air from the appliance up through the chimney. The amount of draft in your chimney depends on the length of the chimney, local geography, nearby obstructions, and other factors. Too much draft may cause excessive temperatures in the appliance and may damage the heater. Inadequate draft may cause backpuffing into the room and 'plugging' of the chimney. Inadequate draft will cause the appliance to leak smoke into the room through appliance and chimney connector joints. An uncontrollable burn or excessive temperature indicates excessive draft.

Insert Rollers

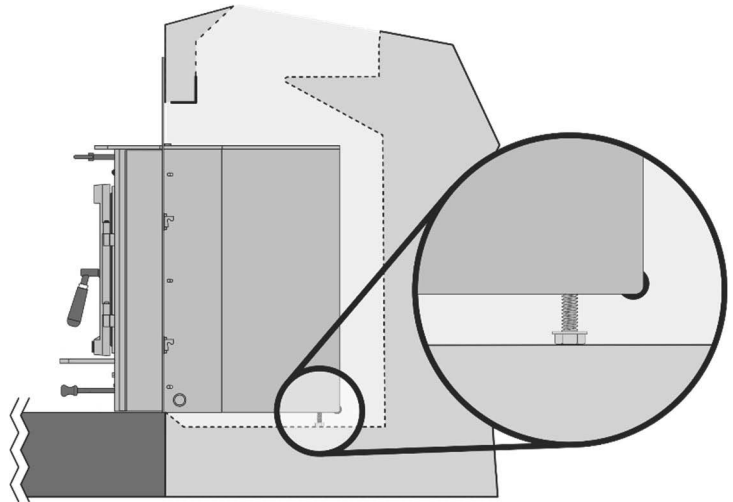
Two rollers are built into the back edge of the insert. This allows the insert to be rolled into position by lifting the front of the insert and pushing it into position.



Leveling Bolt Installation

MASONRY NOTE: Place a metal plate below the bolts on masonry fireplaces to prevent damage to the floor brick.

Two leveling bolts are included (in the stove pack) to level the insert if the fireplace has a stepped-up hearth. To install, raise the rear of the insert and thread the leveling bolts into the holes in the rear corners of the insert. Adjust the bolts until they extend the same height as the hearth (see illustration to right). After the insert is installed, fine-tune the leveling bolts to level the insert.



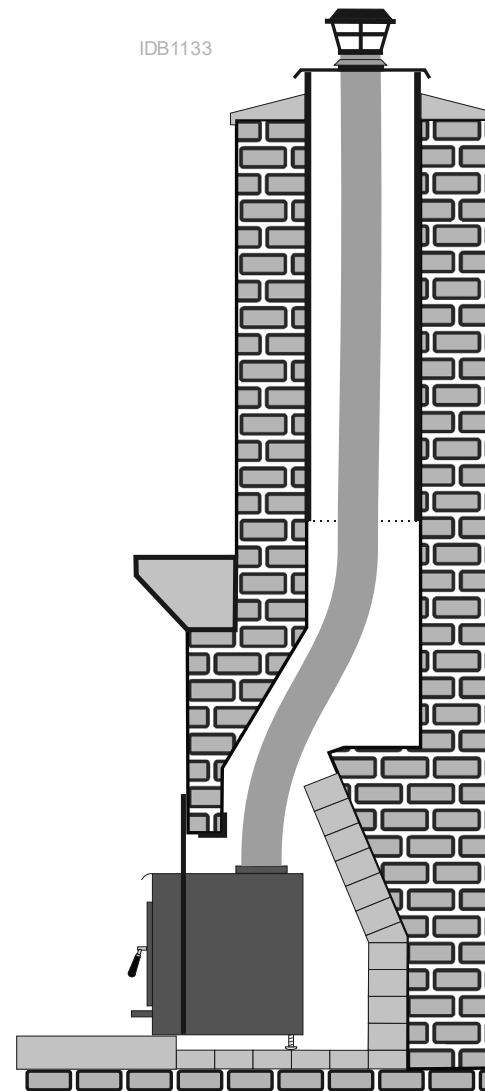
Insert with Positive Connection

REQUIRED IN CANADA.

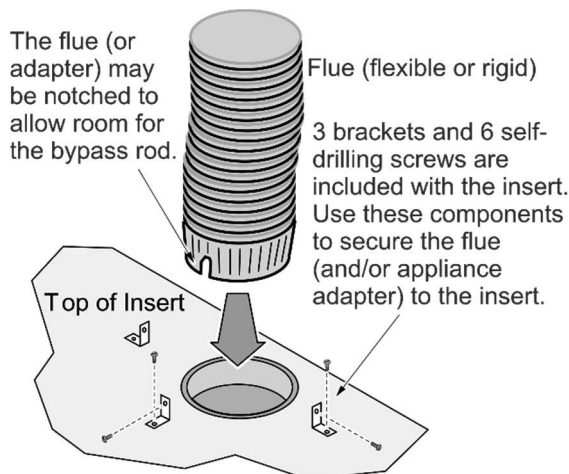
Sealing the Flue to the Insert

The flue connection is vitally important. To ensure proper draft, and to prevent smoke spillage during re-loading, **it is crucial for the flue to be sealed with fireplace cement.** If an adapter is used, both joints to the liner and the insert should be sealed. Use a generous amount of fireplace cement at every connection (where the flue connects to the insert and at every joint).

In addition, we recommend using non-combustible fiberglass insulation to seal the fireplace enclosure. By sealing the top and bottom of the chimney, and the surround panels, you will be ensuring outside air is not pulled into the chimney.



Flue Installation



INTEGRITY™ Super Stove Starter

INTEGRITY Venting Systems manufactures starter sections in straight or angled configurations to suit your application. They are secured from inside the firebox, making installation much easier. Contact INTEGRITY Venting Systems for additional details:

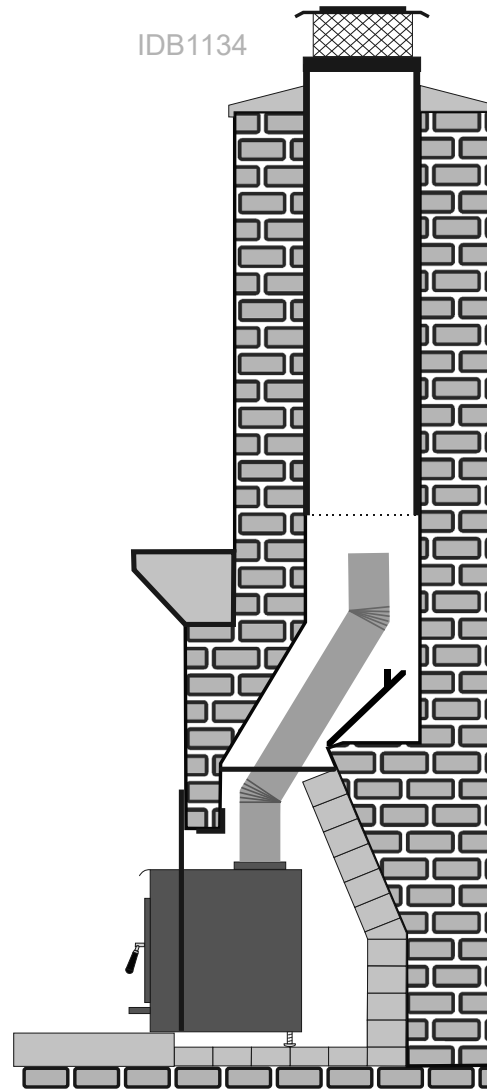
integrityventingsystems.com



Insert with Direct Connection (Masonry Fireplace)

NOT ALLOWED IN CANADA.

A block-off plate or other non-combustible sealing device (e.g. damper adapter) is required. It must seal the chimney to ensure smoke does not enter the home while providing the chimney system with sufficient draft.



WARNING

CHECK WITH THE LOCAL AUTHORITY HAVING JURISDICTION BEFORE INSTALLING IN THIS MANNER

Direct Connect style installations tend to be easier and less expensive installations but also can potentially lead to draft issues and more difficult chimney cleaning.

When venting into a masonry chimney, the draft may be diminished and could lead to the possibility of a downdraft.

Additionally, the insert will need to be removed from the fireplace and reinstalled each time the chimney and fireplace need to be cleaned (at a minimum, annually).

Travis Industries recommends completely relining the masonry chimney to ensure the best performance and customer satisfaction.

16 Fireplace Insert Installation (for qualified installers only)

Surround Panel Installation

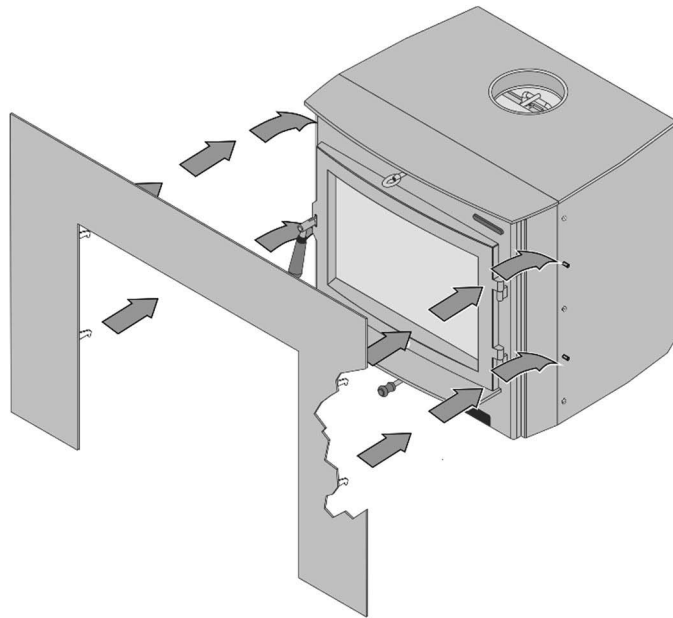
	Height	Width
Custom Panel 96100593	Custom	Custom
Small Panel 96100394	30-1/2" (775mm)	40" (1016mm)
Large Panel 96100395	34" (864mm)	44" (1118mm)

Packing List

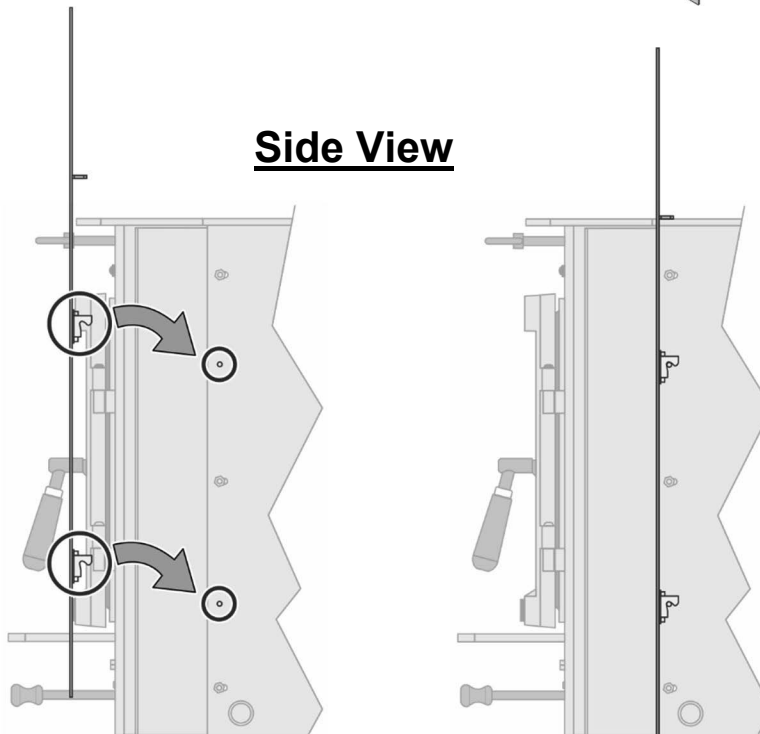
- Panel

Installation

1. The insert should be in position but pulled out slightly to allow access to the sides and top of the insert.
2. Place the insert into position (flue attached). Attach the surround panel as shown below.



Side View



Safety Notice



If this appliance is not properly installed, a house fire may result. For your safety, follow the installation directions. Contact local building or fire officials about restrictions and installation inspection requirements in your area.



The air control may become hot during operation - use gloves or a tool to prevent burns.



Use gloves when reloading wood.



Read and follow all of the warnings on pages 4 and 5 of this manual.

Before Your First Fire

Verify the Installation

Before starting the stove, verify that the stove is properly installed and all of the requirements in this manual have been followed.



Keep all flammable materials 36" (915mm) away from the front of the stove (drapes, furniture, clothing, etc.).

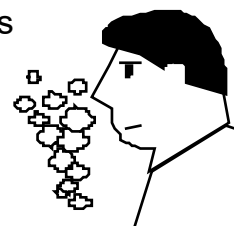
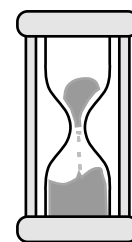
Curing the Paint

Follow the steps below to cure the paint (first fire):

- Open doors and windows in the room to ventilate the heater during the curing process.
- Vacate the room. The fumes from the initial heating process are non-toxic but may be unpleasant.
- Slowly bring the heater to a medium burn (400°F/204°C) for 45 minutes. Then increase the burn temperature to a hot burn (600°F/315°C) for an additional 45 minutes. This will cure the paint.

Door Gasket - The door gasket might adhere to the paint on the front of the heater. Leave the door slightly ajar for the first fire and be careful when opening the door after the first fire.

2 to 4 hours



IDB1135

Carbon Monoxide (CO) Emissions

Smoke from wood heaters contains CO. This gas is an indication of incomplete combustion and is detrimental to the environment and your health. The more visible the smoke, the higher the CO levels. Burning dry wood is the most significant step you can take to reduce CO emissions. It is also important to understand the combustion process so you can burn your heater efficiently. Read the manual thoroughly so that you can operate your heater in the most efficient and clean manner possible.

Over-Firing the Stove

DO NOT OVERFIRE THIS HEATER: Attempts to achieve heat output rates that exceed heater design specifications can result in permanent damage to the heater.

This stove was designed to operate at a high temperature. But due to differences in vent configuration, fuel, and draft, this appliance can be operated at an excessive temperature. If the stovetop or other area starts to glow red, you are over-firing the stove. Shut the air control down to low and allow the stove to cool before proceeding.

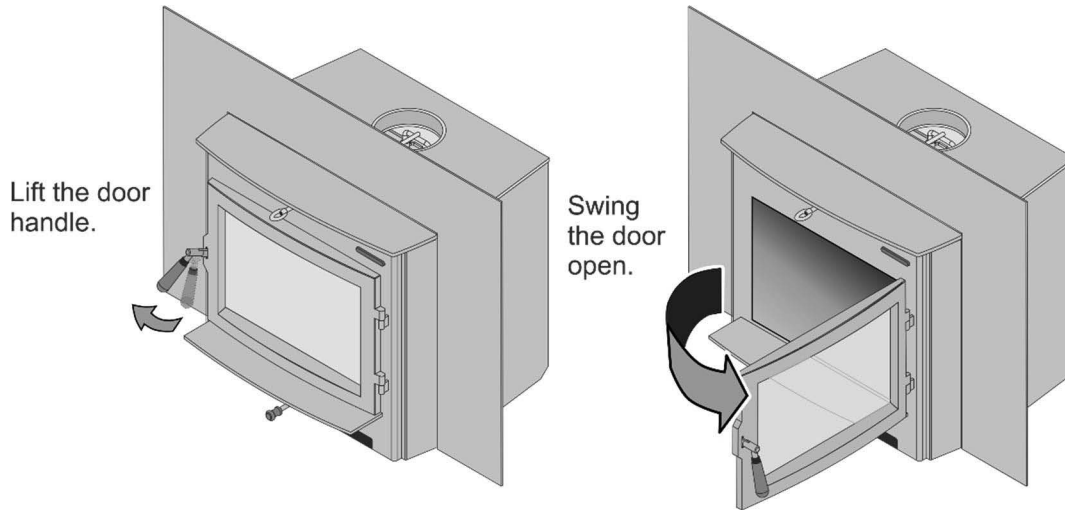


Over-firing may lead to damage of plated surfaces. If you are uncertain of over-firing conditions, we suggest placing a stove thermometer (e.g. Rutland® Model 710) directly over the door on the stovetop - temperatures exceeding 800° are generally considered over-firing and will void the warranty.

Opening the Door



To prevent smoke from entering the room, open the bypass (pull out) and the air control (pull out) before opening the door. You can also open the door a small amount and let air enter the firebox.



The door becomes hot during use - use gloves or a tool to prevent burns.

Bypass Operation

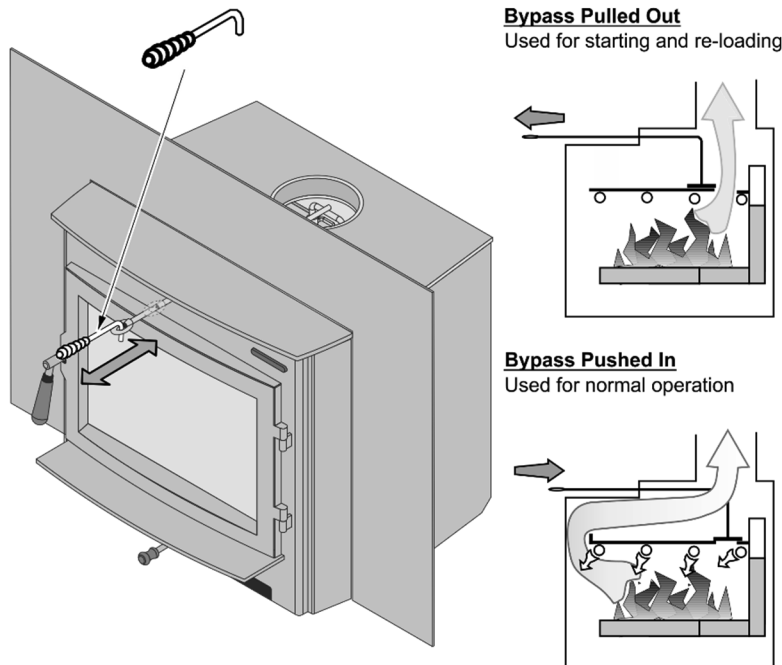


The bypass control becomes hot during operation - use gloves or a tool to prevent burns.

The bypass controls the flow of smoke inside the heater. When pulled out, smoke goes directly up the flue, creating more draft. When pushed in, the smoke goes around the baffle, utilizing the secondary combustion and making the heater more efficient.

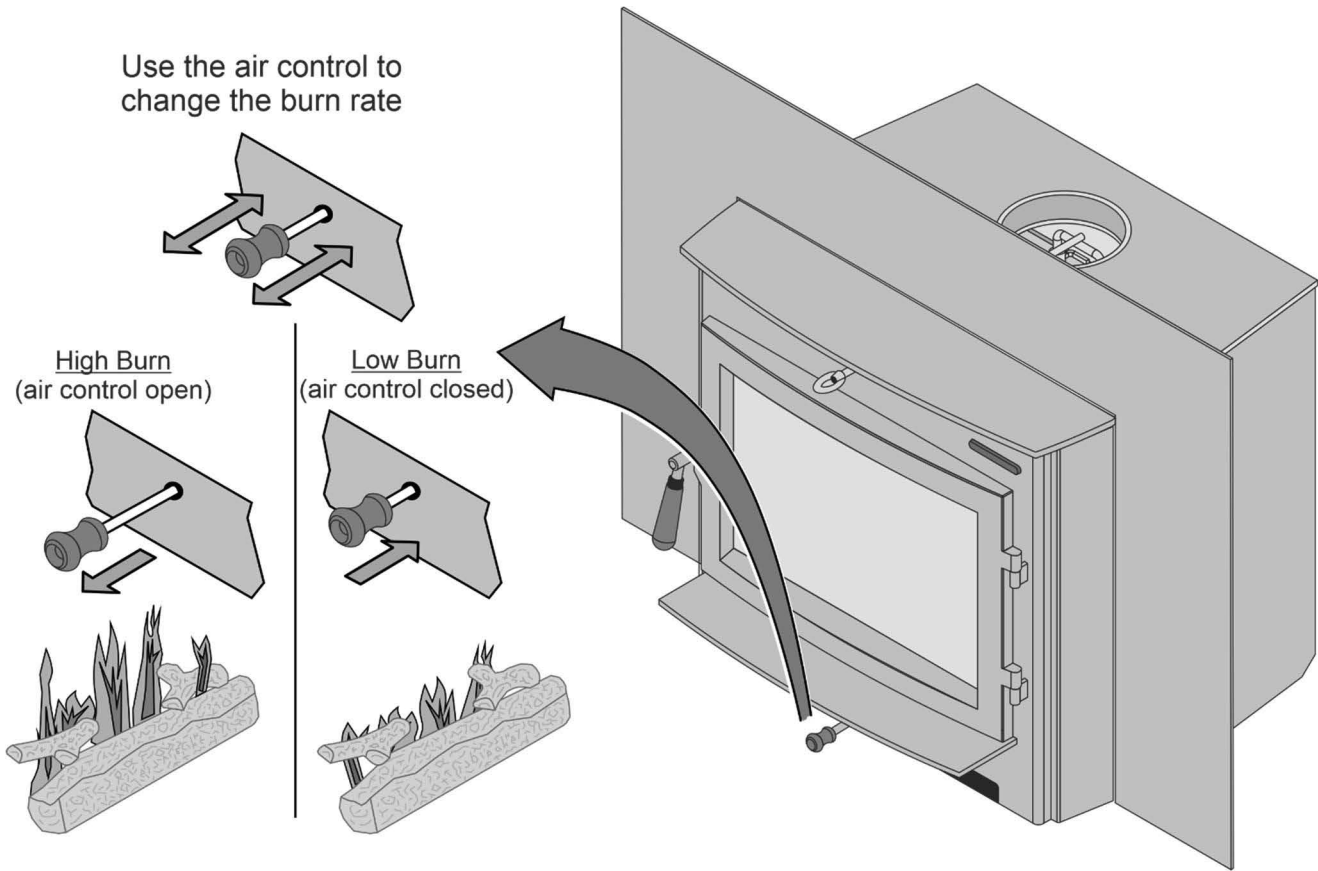
- When starting or re-loading, pull the bypass out.
- During normal operation, push the bypass in.

Use the included pull tool to operate the bypass rod



Adjusting the Burn Rate

Use the air control slider to control the burn rate of the stove. See the illustration below for details.



Approximate Air Control Settings

Overnight Burn	Fully in
Medium Burn	Pulled out approximately 5/16"
High Burn	Fully out



The air control may become hot during operation - use gloves or a tool to prevent burns.



The air control may take several minutes to influence the burn rate. When making adjustments, you may wish to let the stove burn for 10 minutes to gauge performance.

Starting a Fire

The bypass control becomes hot during operation - use gloves or a tool to prevent burns.

- Make sure the air control is pulled out. If additional air is needed, open the doors 1/4" during the first five minutes of start-up.
- Make sure the bypass is pulled out.



Never use gasoline, gasoline-type lantern fuel, kerosene, charcoal lighter fluid, or similar liquids to start or "freshen up" a fire in this stove. Keep all such liquids well away from the stove while it is in use.



DO NOT USE CHEMICALS OR FLUIDS TO START THE FIRE. DO NOT BURN GARBAGE OR FLAMMABLE FLUIDS SUCH AS GASOLINE, NAPHTHA, OR ENGINE OIL. Do not place such fuel within space heater installation clearances or within the space required for charging and ash removal.



If using a fire-starter, use only products specifically designed for stoves - follow the manufacturer's instructions carefully.



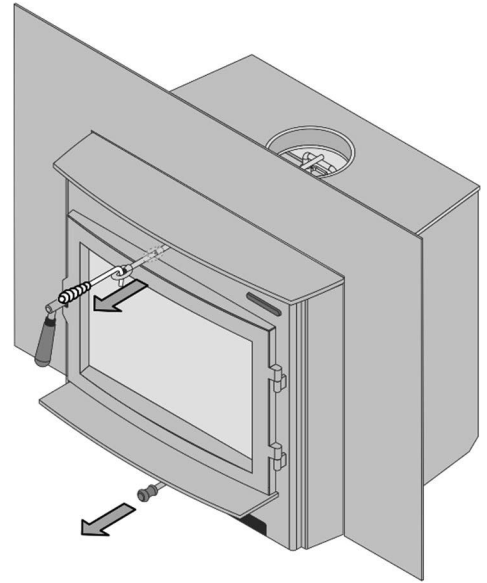
HOT WHILE IN OPERATION. KEEP CHILDREN, CLOTHING, AND FURNITURE AWAY. CONTACT MAY CAUSE SKIN BURNS.



If the smoke does not pass up the chimney, ball up one sheet of newspaper, place it in the center of the firebox, and light it. This should start the chimney drafting (this eliminates "cold air blockage").



Use plenty of kindling to ensure the stove reaches a proper temperature. Once the kindling is burning rapidly, place a few larger pieces of wood onto the fire.



Understanding Your Heater's Combustion System

This heater uses a dual combustion system detailed below:

Primary Combustion: This is the combustion (fire) that takes place directly on the wood. Primary combustion determines how fast the fire burns. Air for primary combustion is supplied through the air control. When you adjust the air control you control the amount of air that reaches the fire and creates primary combustion. The air control supplies air to the air wash (the air holes above the door opening – used to help clean the glass) and through the pilot orifice (center bottom of the door opening). By using the air control, and supplying air through these two openings, you control primary combustion.

Secondary Combustion: This is the combustion (fire) that does not contact the wood. Secondary combustion burns the visible emissions or smoke that is not consumed during primary combustion. During some phases of combustion, you will see secondary combustion. It appears as a glowing flame at the top of the firebox. Air for secondary combustion is supplied by the air tubes at the top of the firebox.

Items to Consider:

- During medium and high burn rates the stove will manage secondary and primary combustion on its own. When the heater is set to a low burn rate more care is needed to ensure the secondary combustion system works properly. Make sure the stove is hot and a good coal bed is established before adjusting your heater to low burn.
- Understanding the combustion system in this heater will help minimize the visible emissions this heater releases into the environment. The primary pilot orifice at the center bottom of the door opening is designed to help the secondary combustion at low burn settings. The pilot provides a small amount of air that burns up through the fuel load providing the heat and flame needed for the secondary system to ignite. The air tubes under the baffle need to remain ignited for low burns to be effective.

As you load your heater for a low burn, take care in placing the wood. This will affect how well your secondary system works as the wood is consumed. Do not block the pilot orifice. Stack wood so the pilot air can burn its way up between the pieces, helping your heater burn effectively throughout the low fire. This will reduce the visible emissions your heater produces and increase the amount of heat you get from the wood. If you are unsure how well your heater is burning look at the chimney cap to monitor visible emissions.

Burning Your Heater

Starting a Fire: Make sure your air control is all the way open and the by-pass is in the open position. To reduce the amount of smoke when starting your fire, the “Top Down” method described below allows for the cleanest starts. Start with large pieces of kindling 1”- 2” in diameter, lay 4 pieces diagonal on the firebox floor place 3 or 4 more layers on top of this in a crisscross or hatching pattern. On top of this stack place a layer of small ¼” – 1” diameter kindling with small gaps between them to make a base to place a small nest of ¼” or smaller pieces in the center. Light the nest of kindling on top so that it will burn from the top down through the stack. Shut the door and by-pass after the fire is established. If the fire starts to die down, reopen the by-pass and door and leave it cracked open until the fire recovers and becomes established. **Never leave your heater unattended if the door is not latched shut.** Reload the stove when the kindling pile has burned about three-quarters of the way through with 15” medium sized pieces of cordwood. Place a layer of 4 pieces orientated front to back and 2 pieces on the top, oriented side to side. A hot coal bed is critical to clean combustion of the fuel. We cannot overstate the importance of a hot coal bed before slowing down the burn rate by adjusting the air control. Burn the first full load of cordwood completely through at the high burn rate to get our heater up to a good operating temperature and to establish a deep coal bed before reloading and adjusting the burn rate.

Reloading: When reloading a hot stove, return the air control too high for at least 15 min before adjusting the air control to slow down the burn rate.

Low & Medium Burns: If preparing for a medium or low overnight burn, a longer heat-up period may be necessary. For the lowest emissions, we recommend the following method: using 15” cord wood load the unit full with 4 large pieces oriented front to back covering the coal bed and a top layer of two pieces oriented side to side, leaving a gap between the center bottom pieces and the top 2 pieces. After loading, burn the stove on high for at least 15 minutes before setting the air control to low. Excessive creosote buildup (or sooting) in the heater at the end of a low burn signifies that the heater was not hot enough and the wood load was not burned long enough on high after loading before adjusting the air control.

Ash Removal

Whenever ashes get 3 to 4 inches deep in your firebox, and when the fire has burned down and cooled, remove excess ashes. Leave an ash bed approximately 1 inch deep on the firebox bottom to help maintain a hot charcoal bed. Let the stove cool completely before removing ashes (wait at least 2 hours after the last coal has extinguished). Ashes should be placed in a metal container with a tight-fitting lid. The closed container of ashes should be placed on a noncombustible floor or on the ground, away from all combustible materials, pending final disposal. The ashes should be retained in the closed container until all cinders have thoroughly cooled.



Improperly disposed of ashes lead to fires. Hot ashes placed in cardboard boxes, dumped in back yards, or stored in garages, are recipes for disaster.



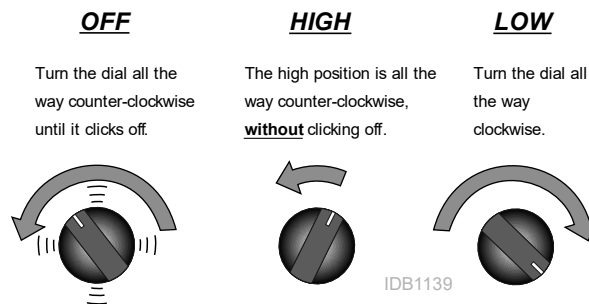
Wood-burning appliances are inherently dirty. During cleaning have a vacuum ready to catch spilled ash (make sure ash is entirely extinguished).



There are vacuum cleaners specifically made to remove ash (even if the ash is warm). Contact your dealer for details.

Optional Blower Operation

The blower will turn on once the stove is up to temperature. This is typically 15 to 30 minutes after starting the fire. Follow the directions below to alter the blower speed.



The blower may be used to affect heat output (i.e.: to reduce heat output, turn the blower down).



Route the power cord in a location where it will not come in contact with the appliance or become hot.

Re-Loading the Stove

Follow the directions below to minimize smoke spillage while re-loading the stove.

1. Open the air control all the way (pull it out).
2. Open the door slightly. Allow the airflow inside the firebox to stabilize before opening the doors fully.
3. Load wood onto the fire.

Overnight Burn

This stove is large enough to accommodate burn times up to eight hours. Follow the steps below to achieve an overnight burn.

1. Move the air control to high burn and let the stove become hot (burn for approximately 15 minutes).
2. Load as much wood as possible. Use large pieces if possible.
3. Let the stove burn on high for 15 minutes to keep the stove hot, then move the air control to low.
4. In the morning the stove should still be hot, with embers in the coal bed. Stir the coals and load small pieces of wood to re-ignite the fire, if desired.



Differences in chimney height and draft may lower overall burn times.

Normal Operating Sounds

Creaks and Clicks:

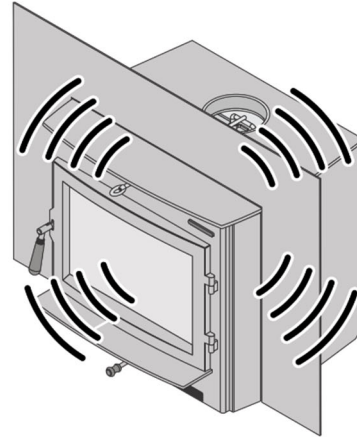
The steel may creak or click when the stove heats up and cools down - this is normal.

Blower Sounds:

The blower will make a slight "hum" as it pushes air through the stove.

Hint:

Make sure the leveling bolts on legs are extended - preventing the hearth from amplifying any vibrations.



Hints for Burning

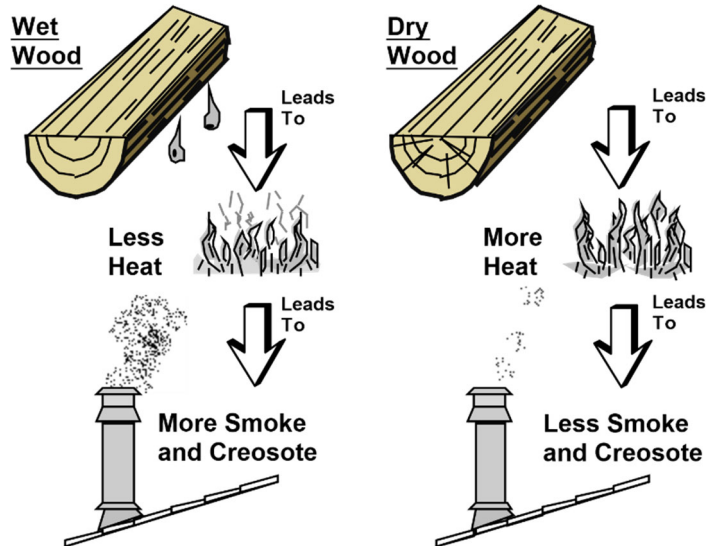
- Get the appliance hot before adjusting to low burn
- Use smaller pieces of wood during start-up and high burns to increase temperature
- Use larger pieces of wood for overnight or sustained burns
- Stack the wood tightly together to establish a longer burn
- Be considerate of neighbors & the environment: burn dry wood only
- Burn small, intense fires instead of large, slow burning fires when possible
- Learn your appliance's operating characteristics to obtain optimum performance

Selecting Wood



Burn only untreated wood. Burning other materials such as wood preservatives, metal foils, coal, plastic, sulfur, or oil may damage the stove.

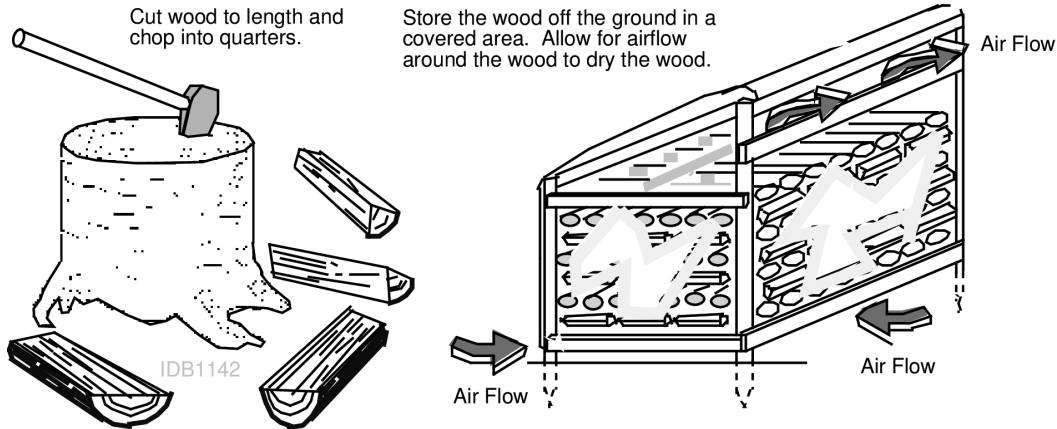
- Dry Wood is Key - 15-20% moisture content
- Dry wood burns hot, emits less smoke and creates less creosote.
- Testing Wood Moisture
- Split wood stored in a dry area will be fully dry within a year. This ensures dry wood. If purchasing wood for immediate use, test the wood with a moisture meter. Some experienced wood burners can measure wood moisture by knocking pieces together and listening for a clear "knock" and not a "thud".
- Testing Wood Moisture – Split a piece of wood down the middle and test the center using a wood moisture meter.



Why Dry Wood is Key

Wet wood, when burned, must release water stored within the wood. This cools the fire, creates creosote, and hampers a complete burn. Ask any experienced wood burner and he or she will agree: dry wood is crucial to good performance.

Wood Cutting and Storage



Do Not Burn List

This heater is designed to burn natural wood only. Higher efficiencies and lower emissions generally result when burning air dried seasoned hardwoods, as compared to softwoods or to green or freshly cut hardwoods.

DO NOT BURN:

- Garbage
- Lawn clippings or yard waste
- Materials containing rubber, including tires
- Materials containing plastic
- Waste petroleum products, paints or paint thinners, or asphalt products
- Materials containing asbestos
- Construction or demolition debris
- Railroad ties or pressure-treated wood
- Manure or animal remains
- Saltwater driftwood or other previously saltwater saturated materials
- Unseasoned wood; or
- Paper products*, cardboard*, plywood, or particleboard*.

The prohibition against burning these materials does not prohibit the use of fire starters made from paper, cardboard, sawdust, wax, and similar substances for the purpose of starting a fire in an affected wood heater.

Burning these materials may result in release of toxic fumes or render the heater ineffective and cause smoke.

Troubleshooting

Problem	Possible Cause
Smoke Enters Room During Start-Up	<ul style="list-style-type: none"> • Open the bypass and air control (pg. 18). • Cold Air Blockage - burn a piece of newspaper to establish a draft. • If the flame is not getting enough air, a small crack in the door is all that is needed.
Kindling Does Not Start - Fire Smolders	<ul style="list-style-type: none"> • O • Open the bypass and air control (pg. 17). • Not enough starter paper - use additional newspaper if necessary. • If the flame is not getting enough air, a small crack in the door is all that is needed.
Smoke Enters Room While Re-Loading	<ul style="list-style-type: none"> • Open the bypass and air control before opening the door (pg. 18). • Let the air stabilize before fully opening the door. Then open the door approximately 1 inch. Let air go into the firebox for a few seconds. Once the smoke appears to be flowing up the chimney consistently, open the door. • Insufficient Draft - Chimney height and outside conditions can negatively affect draft. In these cases, a small amount of smoke may enter the home. Adding more pipe or a draft-inducing cap may help.
Stove Does Not Burn Hot Enough	<ul style="list-style-type: none"> • Wood is wet - see the section "Selecting Wood" on page 23 for details on wood. • Make sure the air control is all the way open. Slide the control back and forth to ensure the control is not stuck. • Insufficient Draft - Chimney height and outside conditions can negatively affect draft. In these cases, the fire may burn slowly. Adding more pipe or a draft-inducing cap may help.
Blower Does Not Run	<ul style="list-style-type: none"> • Stove is Not Up to Temperature - This is normal. The blower will come on when the stove is hot - usually 15 to 30 minutes. • Electricity is Cut to the Blower - Check the household breaker or fuse to make sure it is operable.
Stove Does Not Burn Long Enough	<ul style="list-style-type: none"> • Depending upon wood, draft, and other factors, the burn time may be shorter than stated. Make sure the doors are sealing and not allowing air into the firebox - See the section "Door and Glass Inspection" on page 27 for details. • Check the ash bed for coals. Often, coals are still glowing under a slight bed of flyash. By raking these into a pile, you can re-start your stove quickly.

Maintaining your Appliance



Failure to properly maintain and inspect your appliance may reduce the performance and life of the appliance, void your warranty, and create a fire hazard.



Establish a routine for the fuel, wood burner, and firing technique. Check daily for creosote build-up until experience shows how often you need to clean to be safe. Be aware that the hotter the fire the less creosote is deposited, and weekly cleaning may be necessary in mild weather even though monthly cleaning may be enough in the coldest months. Contact your local municipal or provincial fire authority for information on how to handle a chimney fire. Have a clearly understood plan to handle a chimney fire.

Daily Maintenance (while appliance is in use)

Remove Ash (if necessary)

Whenever ashes get 3 to 4 inches deep in your firebox or ash pan, and when the fire has burned down and cooled, remove excess ashes. Leave an ash bed approximately 1 inch deep on the firebox bottom to help maintain a hot charcoal bed. Let the stove cool completely before removing ashes (wait at least two hours after the last coal has extinguished). Ashes should be placed in a metal container with a tight-fitting lid. The closed container of ashes should be placed on a noncombustible floor or on the ground, away from all combustible materials, pending final disposal. The ashes should be retained in the closed container until all cinders have thoroughly cooled.

- Ash removal is **not** required once it builds up. 1/2" to 1" of ash may be desirable because it slows the burn rate. Generally, remove ash once it has built up over 1". Follow the directions below to remove ash.
- 1 Let the stove cool completely (at least two hours after the last coal has extinguished).
 - 2 Place a cloth or cardboard protector over the hearth to catch ash and protect against scratching.
 - 3 Open the doors and scoop the ash into a metal container with a tight fitting lid. The closed container of ashes should be placed on a noncombustible floor or on the ground, away from all combustible materials, pending final disposal.



Improperly disposed of ashes lead to fires. Hot ashes placed in cardboard boxes, dumped in back yards, or stored in garages, are recipes for disaster.



Wood-burning stoves are inherently dirty. During cleaning have a vacuum ready to catch spilled ash (make sure ash is entirely extinguished).



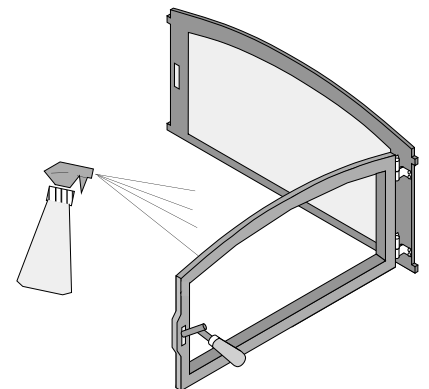
There are vacuum cleaners specifically made to remove ash (even if the ash is warm). Contact your dealer for details.

Clean the Glass (if necessary)

This appliance has an air wash to keep the glass clean. However, burning unseasoned wood or burning on lower burn rates leads to dirtier glass (especially on the sides). Clean the glass by following the directions below. Do not clean glass with abrasive cleaners.

- Allow the stove to fully cool.
- Apply glass cleaner or soapy water to the inside of the glass.
- Wipe with newspaper or a paper towel.

NOTE: for stubborn Creosote, dip newspaper or a paper towel in cool ashes and wipe it on the glass. The ash acts as a light abrasive.



The glass will develop a very slight haze over time. This is normal and will not affect the viewing of the fire.

Monthly Maintenance (while appliance is in use)



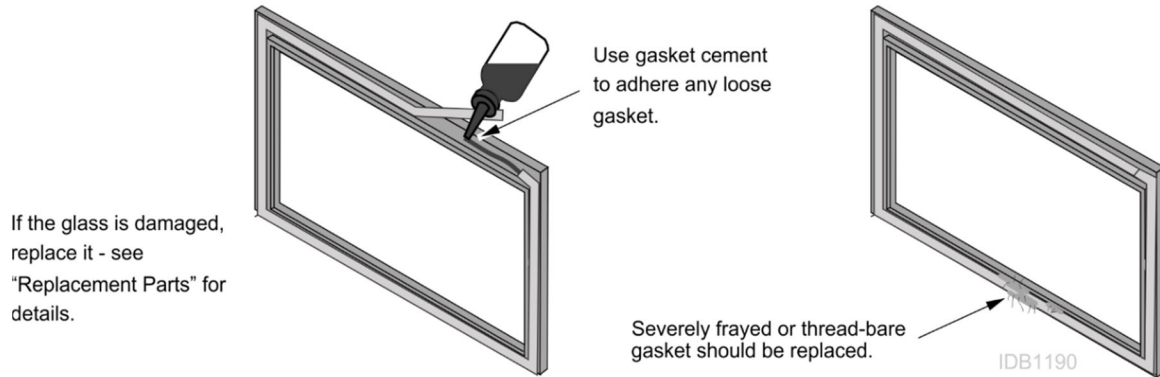
Make sure the appliance has fully cooled prior to conducting service.

Door and Glass Inspection

The door must form an air-tight seal to the firebox for the stove to work correctly. Inspect the door gasket to make sure it forms an air-tight seal to the firebox.



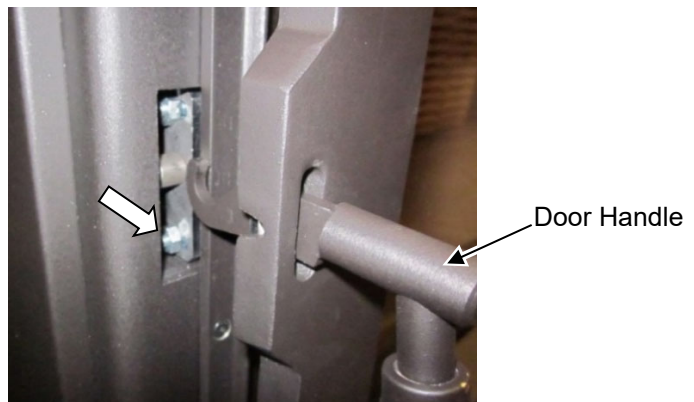
The door can be lifted off the hinges if extensive repairs are conducted.



The door latch should hold the door tightly against the stove. If the latch requires adjusting, follow the directions below.

Door Adjustment

Loosen the bottom nut with a 7/16" wrench (see arrow to the right). Tap the bottom nut inwards, moving the door catch inwards. Tighten the nut and test operation. You may need to repeat this process, either moving the nut inwards or outwards until the door catch is in the correct position.



Creosote - Formation and Need for Removal

When wood is burned slowly, it produces tar and other organic vapors, which combine with expelled moisture to form creosote. The creosote vapors condense in the relatively cool chimney flue of a slow-burning fire. As a result, creosote residue accumulates on the flue lining. When ignited, this creosote makes an extremely hot fire. The chimney and chimney connector should be inspected at least once every two months during the heating season to determine if a creosote buildup has occurred. If creosote has accumulated, it should be removed to reduce the risk of a chimney fire.



If you are not certain of creosote inspection, contact your dealer or local chimney sweep for a full inspection. Excess creosote buildup may cause a chimney fire, that may result in property damage, injury, or death.



Operating this appliance continually at a low burn rate (air starvation) or using green (unseasoned wood) will increase the formation of creosote.

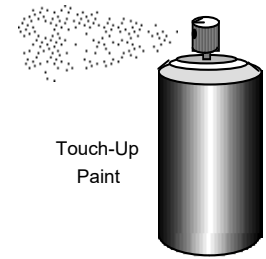
Yearly Maintenance



Make sure the appliance has fully cooled prior to conducting service.

Touch-Up Paint

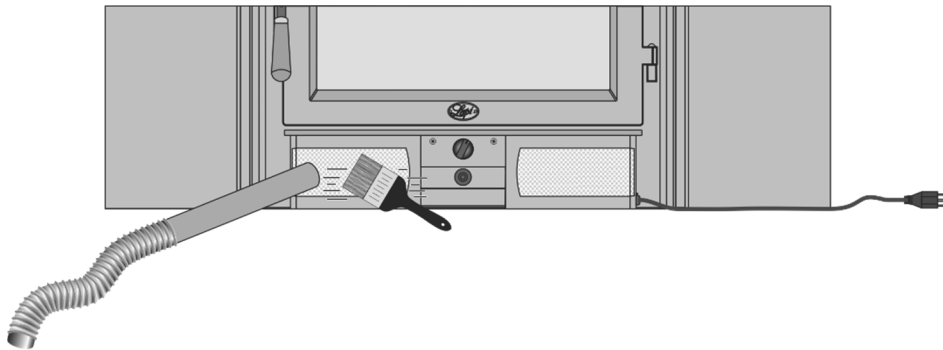
If touch-up is needed use Stove-Brite® metallic black paint. To touch up nicks or dulled paint, apply the paint while the appliance is cool. Sand rusted or damaged areas before preparation (use 120 grit sandpaper). Clean and dry the area to prepare the surface. Wait at least one hour before starting the appliance. The touched-up area will appear darker than the surrounding paint until it cures from heat. Curing will give off some fumes while curing – open windows to ventilate.



Cleaning the Air Duct and Blower (if applicable)

Use a vacuum and a brush to clean the air ducts (channels). This prevents dust from burning and creating odors.

The optional blower should be vacuumed every year to remove any buildup of dust, lint, etc.



Firebrick and Baffle Inspection

Use the illustration below as a reference for checking the following items. Make sure the appliance is cool before proceeding.

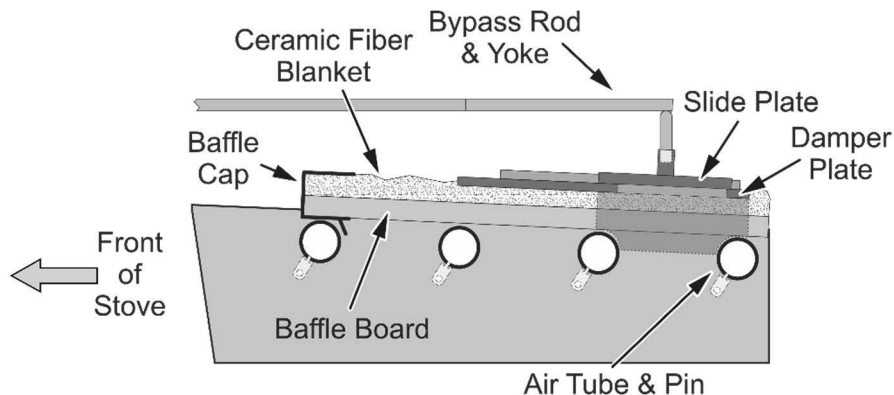
Baffle Board – Check the condition of the baffle board. Cracks are not a problem but if any section of the baffle board is missing, it should be replaced.

Baffle Blanket – Check for deterioration of the blanket. If the blanket is deteriorated or missing, it should be replaced.

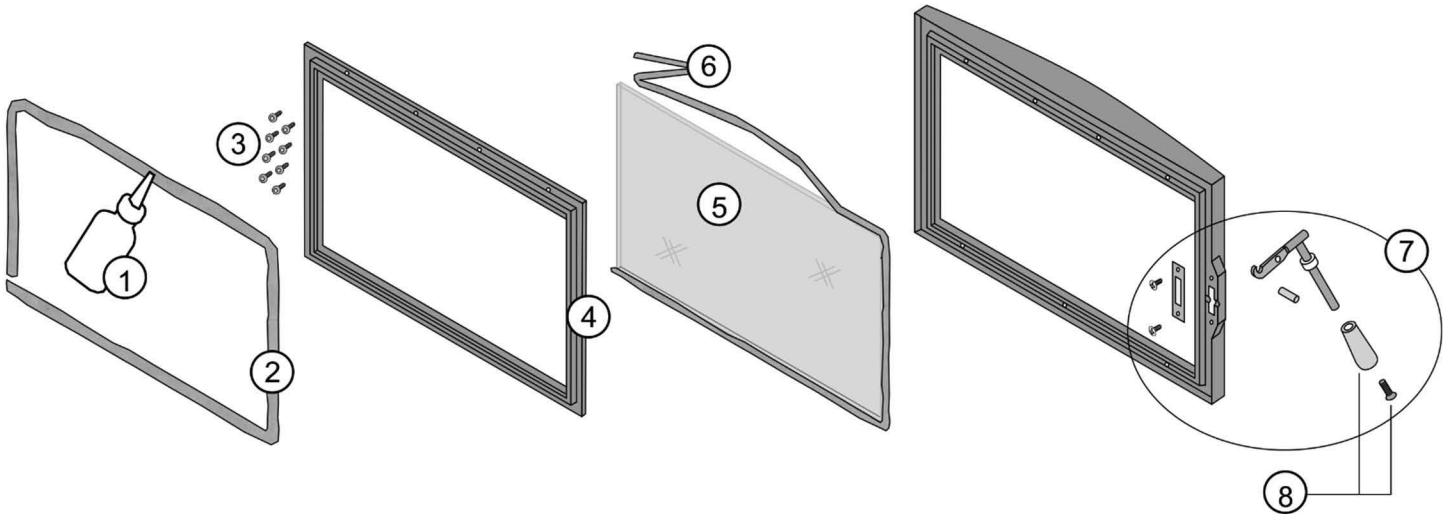
Baffle Cap – Make sure the cap is in place and baffle blanket is under the top edge of the cap.

Secondary Air Tubes - Check the (3) air tubes pins to make sure they are intact and not severely deteriorated. Slight scaling or rusting of the metal is normal.

Floor and Wall Firebricks - replace any severely damaged firebrick along the side or floor of the firebox.



Door Parts



ID #	Description	Qty.	Part #
1	Gasket Cement, 3 oz.	1	250-04477
2	Door Gasket	1	250-02832
3	Screws (8) 10-24 x 1/2"	1	250-03656
4	Door Retainer	1	250-03657

ID #	Description	Qty.	Part #
5	Glass	1	250-03605
6	Glass Gasket	1	99900405
7	Door Handle Assy.	1	250-03606
8	Door Handle	1	250-01305



Caution: Use only Travis Industries replacement parts. Do not use substitute materials.

Replacing the Glass



The glass must not contact the door shell or retainer directly. The glass gasket wraps around the edge of the glass and isolates it from the metal surfaces to prevent cracking. Do not over-tighten the glass retainer screws.

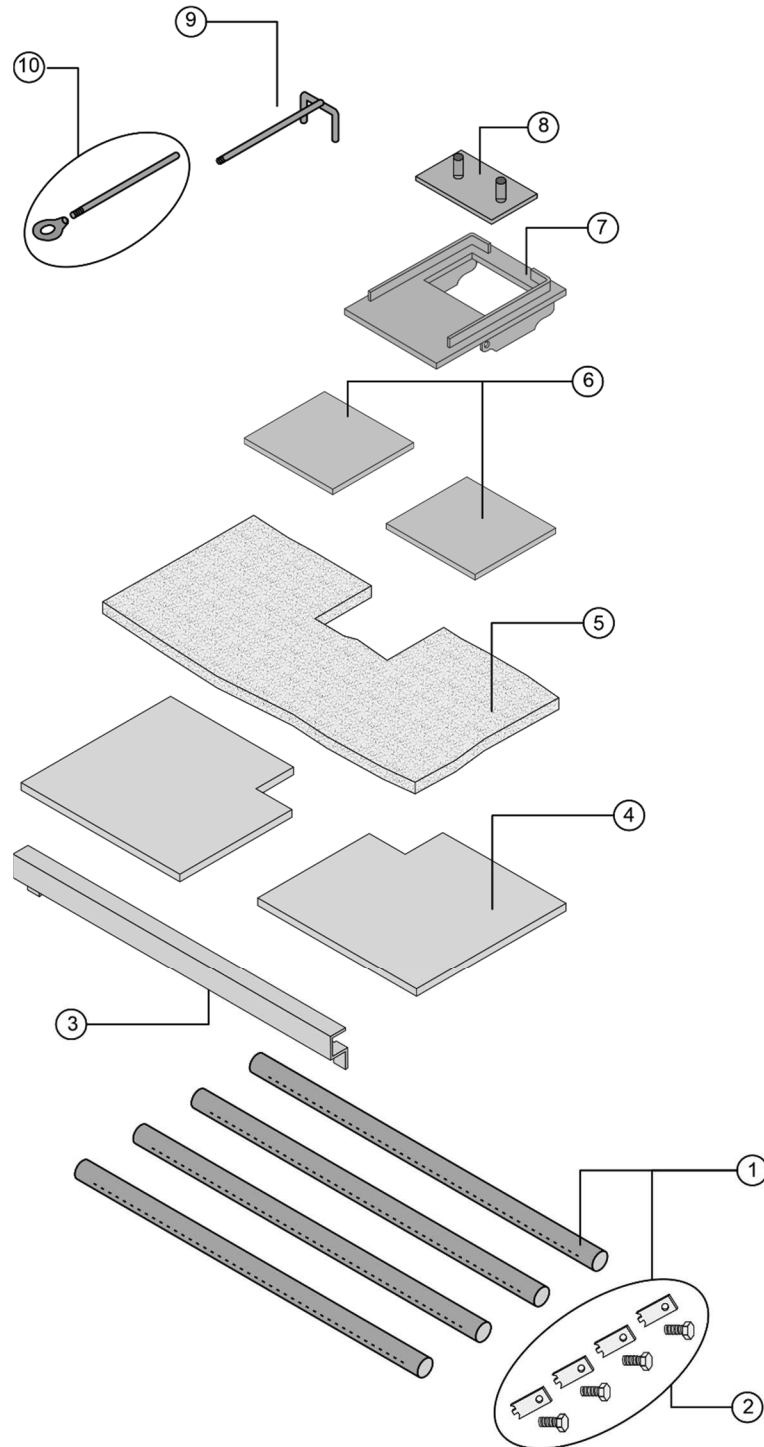
Replacing the Door Gasket

The door gasket inserts into the outer groove of the door retainer. Stove gasket cement holds it in place. Before installing, remove any residual cement. Lay the gasket in place (start at the lower-left corner) and cut off any excess gasket (do not stretch the gasket. The cement fully cures with heat from the stove. You may need to open and close the door repeatedly to get the gasket to seat fully.

Removing the Door

To remove the door, swing the door open 90°. Grasp the door with both hands and lift upwards. If the door does not disengage, swing it open and closed while lifting upwards to work the door off the hinges.

Firebox Parts



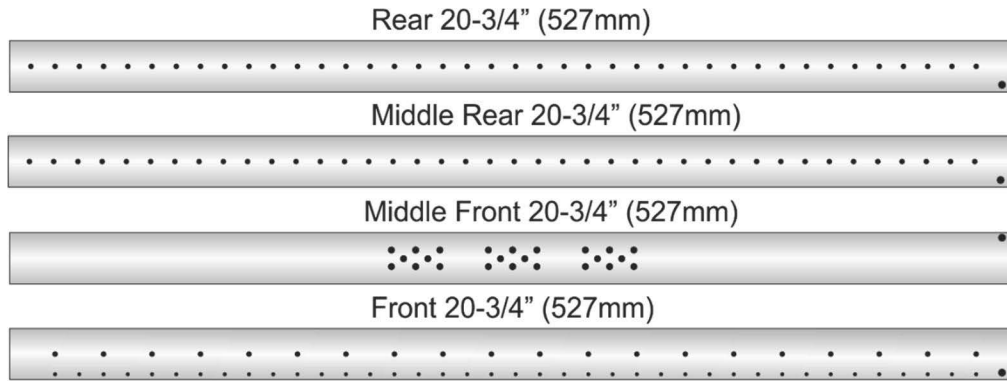
ID #	Description	Qty.	Part #
1	Secondary Air Tubes		98900252
2	Air Tube Pins		250-03658
3	Baffle Cap	1	250-03597
4	Baffle Plates (ceramic)	2	250-03598
5	Baffle Insulation	1	250-03599

ID #	Description	Qty.	Part #
6	Baffle Insulation Protectors	2	250-03659
7	Bypass Support	1	250-03594
8	Bypass Slider	1	250-03596
9	Bypass Yoke	1	250-03595
10	Bypass Ext. Rod w Pull Ring	1	98900333



Caution: Use only Travis Industries replacement parts. Do not use substitute materials.

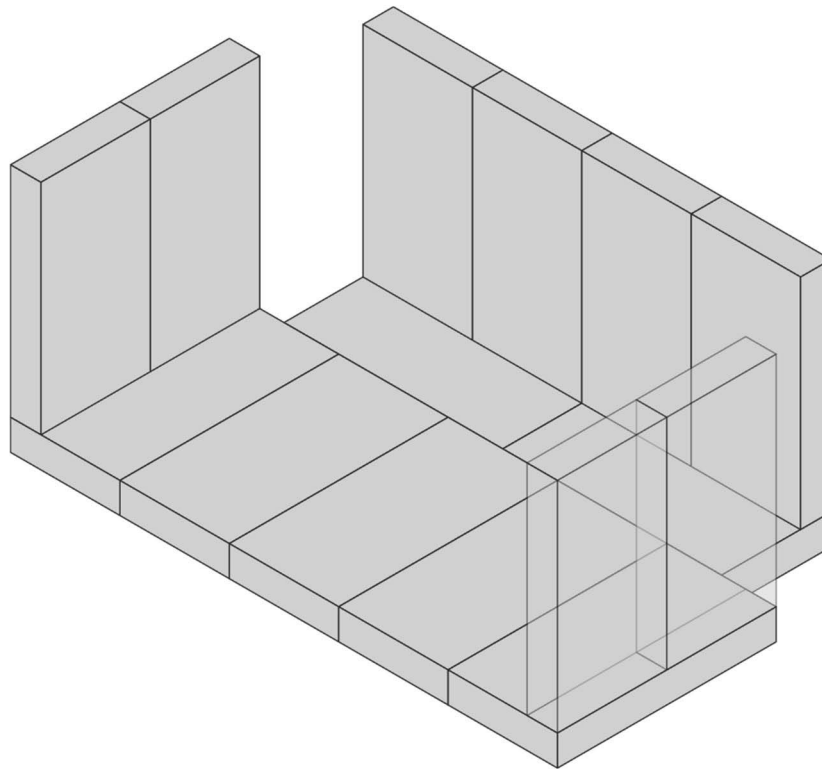
Air Tube Identification



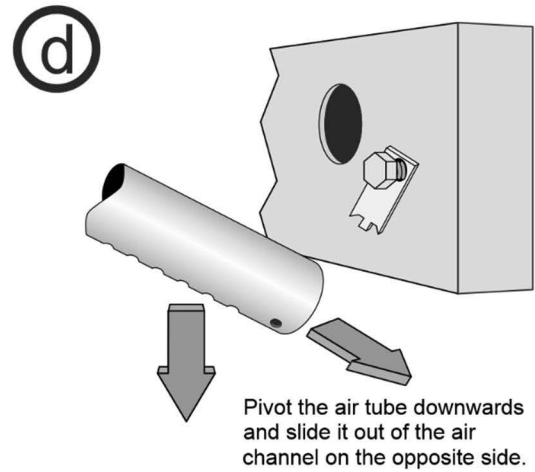
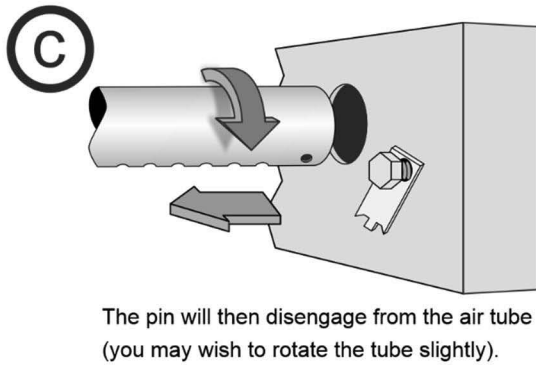
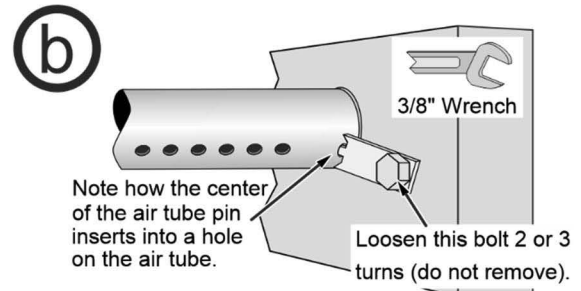
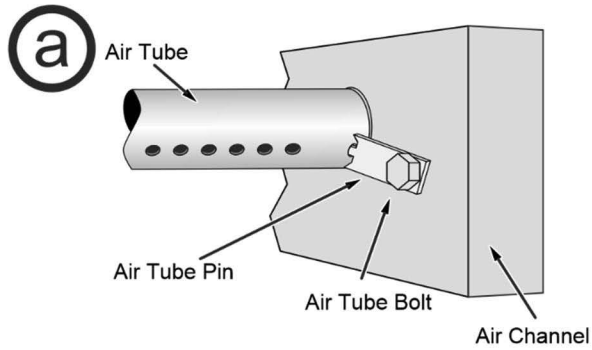
Caution: Use only Travis Industries replacement parts. Do not use substitute materials.

Firebrick Removal & Replacement

Do not pry firebricks - they chip and crack easily. Remove the firebricks by lifting them out by the bottom edges as shown below (the photos do not show the side firebricks). Clean the firebox before replacing the firebricks.

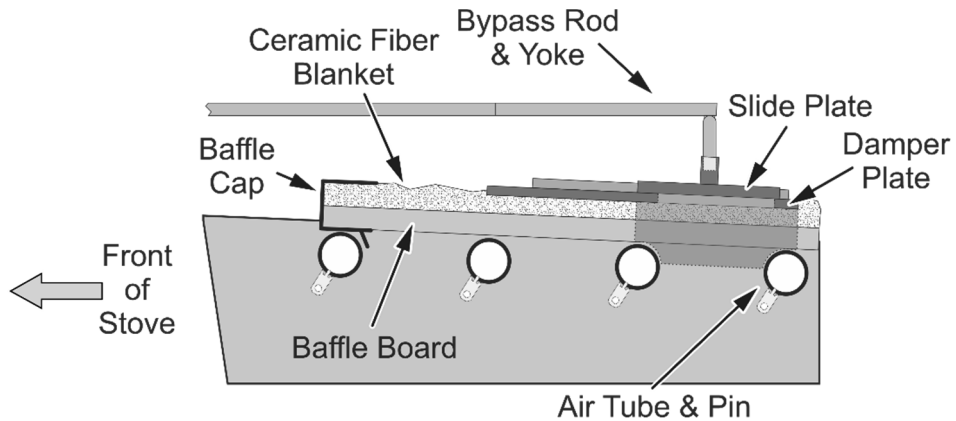


Description	Qty.	Part #
Full Size Firebrick (4-1/2" x 9" x 1-1/4")	15	251-00000

Air Tube Removal & Replacement

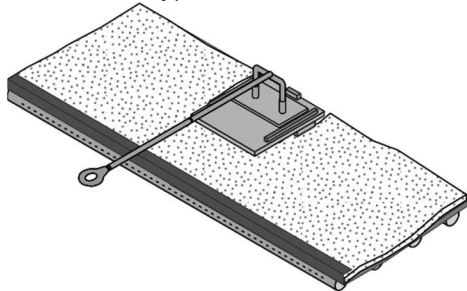
Baffle Removal & Replacement

NOTE: The baffle rests on the top of the air tubes. Make sure to support the baffle while removing the tubes.

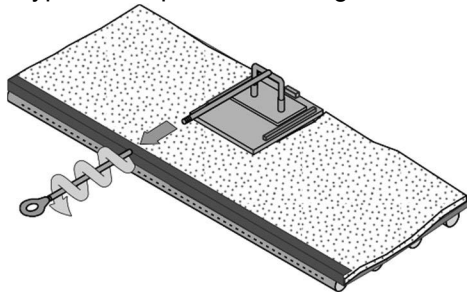


Removal

1. Open the door of the insert to gain access to the baffle and related components shown below (baffle shown without the unit for clarity).



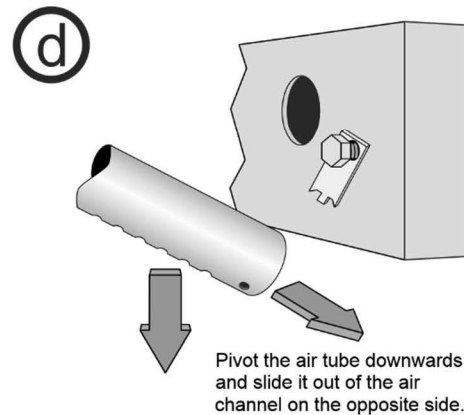
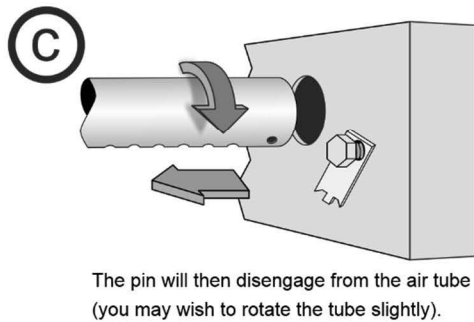
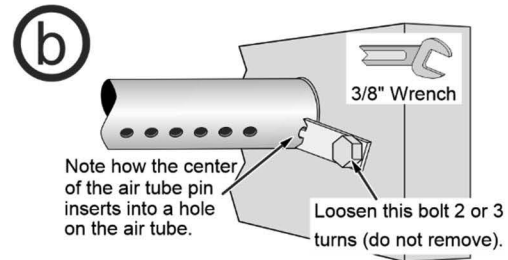
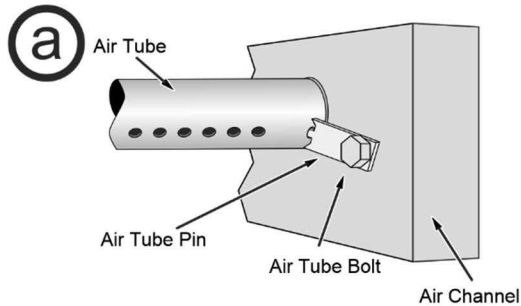
2. Unscrew and remove the bypass damper rod and ring from the damper yoke.



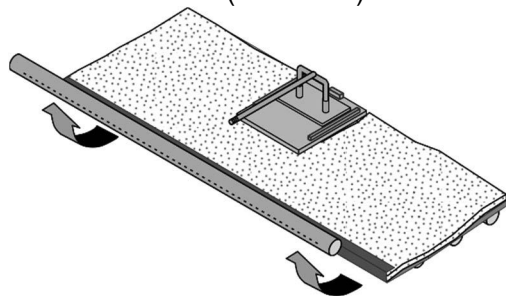
3. Remove the front air tube by following the steps below.



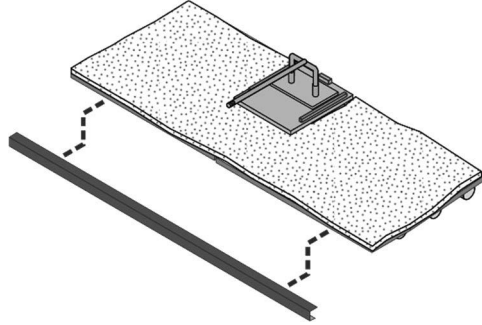
Use penetrating oil (WD-40™ or similar) on the bolts before removing them. Let the oil soak in for several minutes before attempting to remove the bolts.



4. Remove the front air tube from the insert. (see below).

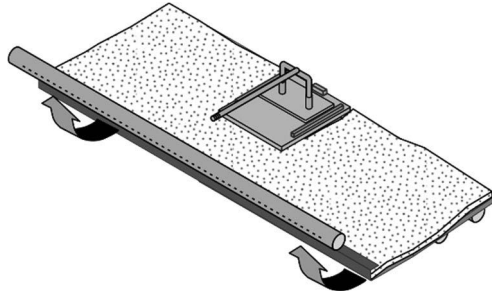


5. Remove the Baffle Cap from the front edge of the baffle board and blanket (see below).

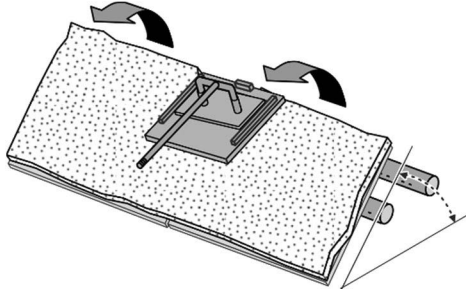


6. Remove the second air tube following the same steps illustrated in step 3.

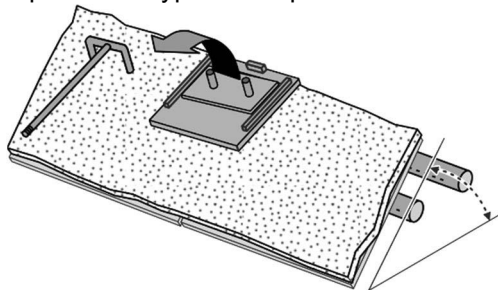
NOTE: You will need to support the remainder of the baffle components with your hand as you remove the second air tube. The baffle board can be delicate so handle with care.



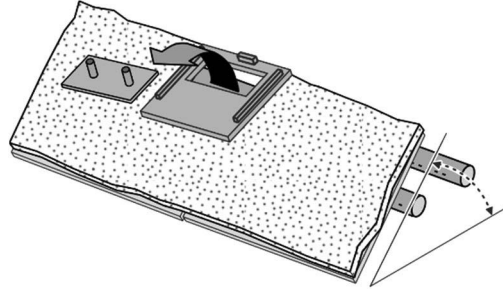
7. Lower the front edge of the baffle to gain access to the yoke and bypass components. Continue supporting the front edge of the baffle.



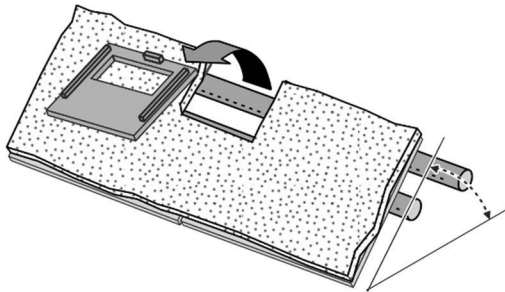
8. Lift the yoke out of the cups on the bypass damper and remove it from the insert (see below).



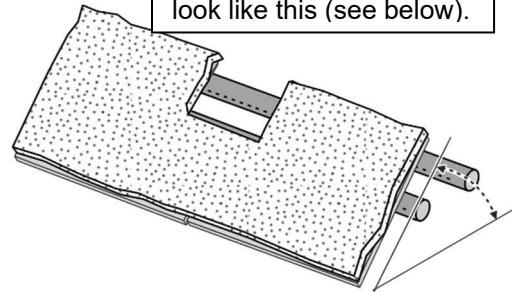
9. Lift the bypass damper off the slide plate and remove it from the insert (see below).



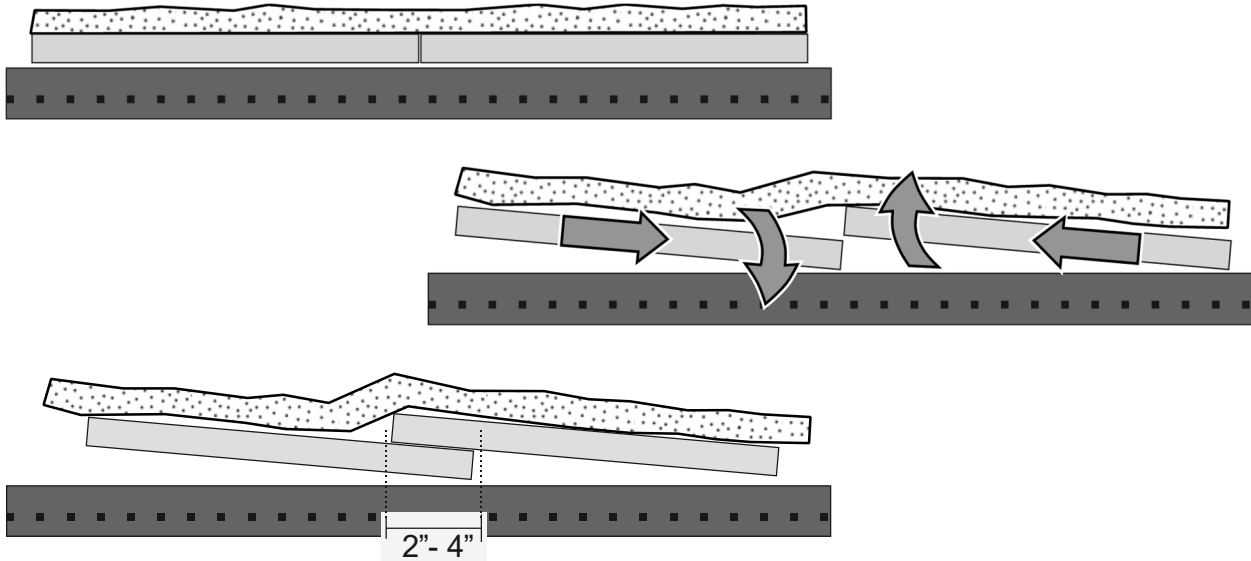
10. Remove the slide plate from the insert (see below).



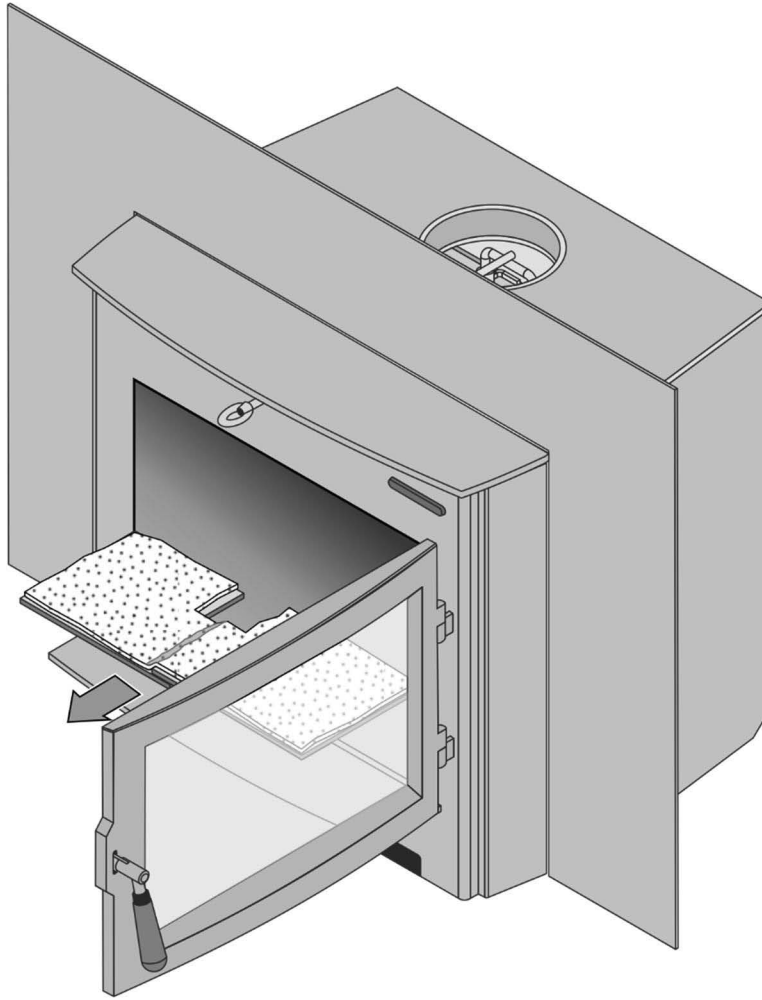
What remains should look like this (see below).



11. The illustration below shows what the front edge of the baffle should look like. Notice the baffle board is made of two separate pieces and there is a ceramic fiber blanket laying on both pieces of board. Grab both pieces of the baffle board and slide them together so that they overlap 2" to 4", this will make the baffle small enough to remove from the unit



12. With the baffle board overlapping each other, both baffle board pieces and the blanket should now fit through the insert door opening.



NOTE: To reassemble the baffle, follow the steps above in reverse.

Register your TRAVIS INDUSTRIES, INC. Limited 7 Year Warranty online at traviswarranty.com. TRAVIS INDUSTRIES, INC. warrants this appliance (appliance is defined as the equipment manufactured by Travis Industries, Inc.) to be defect-free in material and workmanship to the original purchaser from the date of purchase as follows:

Check with your dealer in advance for any costs to you when arranging a warranty call.
Mileage or service charges are not covered by this warranty. This charge can vary from store to store.

Years 1 & 2 - COVERAGE: PARTS & LABOR

Firebox Assembly:

Firebox, Baffle Supports, Air Tubes, Air Channels, Convection Chamber

Door Assembly:

Solid Brass or Cast Door, Latch Assembly, Glass Retainers

Plated Finish

Plated Door, Legs, etc... See "Conditions & Exclusions" # 9 below.

Air Control Assembly

Slider Plate, Pressure Plate

Ceramic Glass

Glass (breakage from thermal shock)

Firebrick and Ceramic Baffle Boards:

Breakage from thermal shock

Accessories

Legs, Panels, Blower

Re-Installation Allowance

In cases where heater must be removed from home for repairs, a partial cost of re-installation is covered (pre-authorization required)

One-Way Freight Allowance

One-way freight allowance on pre-authorized repair done at factory is covered.

Exclusions: Paint, Gasketing

Years 3 Through 5 - COVERAGE: PARTS & LABOR

Firebox Assembly:

Firebox, Baffle Supports, Air Tubes, Air Channels, Convection Chamber

Air Control Assembly

Slider Plate, Pressure Plate

Door Assembly:

Solid Brass or Cast Door, Latch Assembly, Glass Retainers

One-Way Freight Allowance

One-way freight allowance on pre-authorized repair done at factory is covered.

Exclusions: Paint, Gasketing, Plated Finish, Accessories (Legs, Panels, Blower), Glass, Firebrick, Re-Installation Allowance

Years 6 & 7 - COVERAGE: PARTS ONLY

Firebox Assembly:

Firebox, Baffle Supports, Air Tubes, Air Channels, Convection Chamber

Door Assembly:

Solid Brass or Cast Door, Latch Assembly, Glass Retainers

Air Control Assembly

Slider Plate, Pressure Plate

Exclusions: Paint, Gasketing, Plated Finish, Accessories (Legs, Panels, Blower), Glass, Firebrick, Re-Installation Allowance, One-Way Freight Allowance, Labor

CONDITIONS & EXCLUSIONS

- This new appliance must be installed by a qualified installer. It must be installed, operated, and maintained at all times in accordance with the instructions in the Owner's Manual. Any alteration, willful abuse, accident, neglect, or misuse of the product shall nullify this warranty.
- This warranty is non-transferable and is made to the ORIGINAL purchaser, provided that the purchase was made through an authorized Travis dealer.
- Discoloration and some minor expansion, contraction, or movement of certain parts and resulting noise, is normal and not a defect and, therefore, not covered under warranty. Over-firing (operation where the steel may glow red) of this appliance can cause serious damage and will nullify this warranty.
- The warranty, as outlined within this document, does not apply to the chimney components or other Non-Travis accessories used in conjunction with the installation of this product. If in doubt as to the extent of this warranty, contact your authorized Travis retailer before installation.
- Travis Industries will not be responsible for inadequate performance caused by environmental conditions such as nearby trees, buildings, rooftops, wind, hills, or mountains or negative pressure or other influences from mechanical systems such as furnaces, fans, clothes dryers, etc.
- This Warranty is void if:
 - The unit has been operated in atmospheres contaminated by chlorine, fluorine, or other damaging chemicals.
 - The unit is subject to submersion in water or prolonged periods of dampness or condensation.
 - Any damage to the unit, combustion chamber, heat exchanger, or other components due to water, or weather damage which is the result of, but not limited to, improper chimney/venting installation.
- Exclusions to this 7 Year Warranty include: injury, loss of use, damage, failure to function due to accident, negligence, misuse, improper installation, alteration or adjustment of the manufacturer's settings of components, lack of proper and regular maintenance, damage incurred while the appliance is in transit, alteration, or act of God.
- This 7 Year warranty excludes damage caused by normal wear and tear, such as paint discoloration or chipping, worn or torn gasketing, chipped or cracked firebrick, etc. Also excluded is damage to the unit caused by abuse, improper installation, modification of the unit, or the use of fuel other than that for which the unit is configured (use cordwood only).
- Damage to brass or plated surfaces caused by fingerprints, scratches, melted items, or other external sources left on the surfaces from the use of abrasive cleaners is not covered in this warranty. Damage to the surfaces from over-firing (operation where the steel may glow red) is not covered in this warranty.
- TRAVIS INDUSTRIES, INC. is free of liability for any damages caused by the appliance, as well as inconvenience expenses and materials. Incidental or consequential damages are not covered by this warranty. In some states, the exclusion of incidental or consequential damage may not apply.
- This warranty does not cover any loss or damage incurred by the use or removal of any component or apparatus to or from the Travis appliance without the express written permission of TRAVIS INDUSTRIES, INC. and bearing a TRAVIS INDUSTRIES, INC. label of approval.
- Any statement or representation of Travis products and their performance contained in Travis advertising, packaging literature, or printed material is not part of this 7-year warranty.
- This warranty is automatically voided if the appliance's serial number has been removed or altered in any way. If the appliance is used for commercial purposes, it is excluded from this warranty.
- No dealer, distributor, or similar person has the authority to represent or warrant Travis products beyond the terms contained within this warranty. TRAVIS INDUSTRIES, INC. assumes no liability for such warranties or representations.
- Travis Industries will not cover the cost of the removal or re-installation of hearths, facing, mantels, venting, or other components.
- If for any reason any section of this warranty is declared invalid, the balance of the warranty remains in effect and all other clauses shall remain in effect.
- This 7-year warranty is the only warranty supplied by Travis Industries, Inc., the manufacturer of the appliance. All other warranties, whether express or implied, are hereby expressly disclaimed and purchaser's recourse is expressly limited to the warranties set forth herein.

IF WARRANTY SERVICE IS NEEDED:

- If you discover a problem that you believe is covered by this warranty, you MUST REPORT it to your Travis dealer WITHIN 30 DAYS, giving them proof of purchase, the purchase date, and the model name and serial number.
- Travis Industries has the option of either repairing or replacing the defective component.
- If your dealer is unable to repair your appliance's defect, he may process a warranty claim through TRAVIS INDUSTRIES, INC., including the name of the dealership where you purchased the appliance, a copy of your receipt showing the date of the appliance's purchase, and the serial number on your appliance. At that time, you may be asked to ship your appliance, freight charges prepaid, to TRAVIS INDUSTRIES, INC. TRAVIS INDUSTRIES, INC., at its option, will repair or replace, free of charge, your appliance if it is found to be defective in material or workmanship within the time frame stated within this 7-year warranty. TRAVIS INDUSTRIES, INC. will return your appliance, freight charges (years 1 to 5) prepaid by TRAVIS INDUSTRIES, INC., to your regional distributor, or dealership.
- Check with your dealer in advance for any costs to you when arranging a warranty call. Mileage or service charges are not covered by this warranty. This charge can vary from store to store.

Listing Label

SERIAL NO.

MODEL:
EVERGREEN INSERT
Certified for USA and Canada

DO NOT REMOVE THIS LABEL
CONTACT LOCAL BUILDING OR FIRE OFFICIALS ABOUT INSTALLATION AND RESTRICTIONS IN YOUR AREA.
SUITABLE FOR USE IN CONVENTIONAL RESIDENTIAL INSTALLATIONS, MANUFACTURED HOMES AND ALCOVES.

CERTIFIED TO UL STD 1482; CERTIFIED TO ULC STD S628-93



Report No. 0020W01185, 0020W01192

PREVENT HOUSE FIRES - Install and use only in accordance with the manufacturer's installation and operating instructions. Contact your local building or fire officials about restrictions and installation inspection in your area. Refer to local building codes and manufacturer's instructions for precautions required for passing a chimney through a combustible wall or ceiling. Do not run a chimney connector through a combustible wall or ceiling. Do not connect this unit to a chimney flue serving another appliance. Clearances may be reduced by methods specified in NFPA 211, listed wall shields, pipe shields, or other means approved by local building or fire officials. This wood heater needs periodic inspection and repair for proper operation. Consult owner's manual for further information. It is against federal regulations to operate this wood heater in a manner inconsistent with operating instructions in the owner's manual. Burn cordwood only.

Do not route power cord under or in front of appliance.
Replace glass only with 5mm neoceramic or ceramic glass.
Electrical Rating: 115V, 60 Hz, 1.8 Amps
Optional Blower: # 99000132

Manufactured by:
TRAVIS INDUSTRIES, INC.
12521 Harbour Reach Drive
Mukilteo, WA 98275
www.travisproducts.com



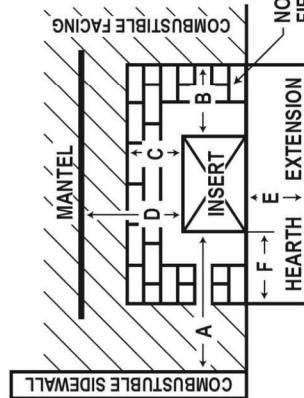
U.S. ENVIRONMENTAL PROTECTION AGENCY
Certified to comply with 2020 particulate emission standards using cord wood.
1.52 g/h, EPA Ait-725, ASTM E3-53-17, ASTM 2515-11, CSA B415.1-10

DATE OF MANUFACTURE
 2021 2022 2023 2024 Jan Feb Mar Apr May Jun Jul Aug Sep Oct Nov Dec

Made in U.S.A.

FACTORY-BUILT (Z.C.) FIREPLACE OR MASONRY FIREPLACE INSTALLATION

Factory-Built (Z.C.) Fireplace installations require a minimum 24" starter section directly connected to the fireplace chimney or a full re-line. Factory-Built (Z.C.) Fireplace chimney must have a minimum cross-sectional area of 28.85 square inches. The Factory-Built (Z.C.) Fireplace damper and control must be removed, or secured in the open position. For minimum Factory-Built (Z.C.) Fireplace firebox size, see manufacturer's installation instructions. Factory-Built (Z.C.) Fireplace floor protection must be 3/8" minimum non-combustible material or equivalent, extending 16" in front of insert and 8" to both sides. A metal deflector plate must be installed if the flue collar is not completely behind the Lintel plate of the Factory-Built (Z.C.) Fireplace openings.



Minimum Clearances To Combustibles And Hearth Requirements:	Masonry Fireplace Installations	Factory-Built (Z.C.) Fireplace Installations
A.	18 in. / 458 mm	18 in. / 458 mm
B.	8 in. / 204 mm	8 in. / 204 mm
C.	13.75 in. / 350 mm	13.75 in. / 350 mm
With Shield	N/A	N/A
With Shield	20 in. / 508 mm	20 in. / 508 mm
**E.	N/A	N/A
F.	US: 16.0 in. (407 mm) / CAN: 18.0 in. (458 mm) US: 6.0 in. (153 mm) / CAN: 8.0 in. (204 mm)	US: 16.0 in. (407 mm) / CAN: 18.0 in. (458 mm) US: 6.0 in. (153 mm) / CAN: 8.0 in. (204 mm)

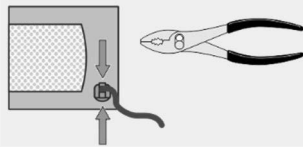
** Thermal protection (minimum R = 1.19) is required when combustible floor is less than 5 inches below the base of the insert.
** Thermal protection not required when combustible floor is 5 inches or more below the base of the insert.

Front Blower (part # 99000132) - Optional

To Switch the Power Cord to the Left Side:

The power cord is installed on the right side from the factory. If you would rather have the cord on the left side of the blower assembly, use a pair of slip-joint pliers to disconnect the strain relief which holds the power cord in place. With the power cord slackened, the Molex connectors that attach the power cord to the blower assembly may be disconnected. Pry the push plug from the left side of the blower assembly and insert it into the hole on the right side. Pull the left side Molex connector out from behind the deflection plate and cut the nylon tie that holds the wire back. Insert the Molex connector on the power cord through the hole on the left side of the blower assembly and attach it to the left side Molex connector. Route the wire directly behind the blower cage. Place the strain-relief over the power cord (it should be in the same location on the power cord as before – approximately 2" from where the wires split). Insert the strain-relief into the hole on the left side until the strain-relief locks in place. Make sure the power cord, wires, or Molex assembly do not interfere with the movement of the impellers.

Right Side
View

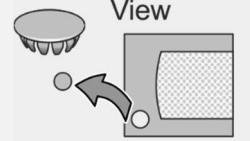


Remove the strain relief by squeezing it from the top and bottom with a pair of pliers.



Disconnect the Molex plug inside the blower assembly. Remove the power cord by pulling it out of the hole exposed by removing the strain relief.

Left Side
View

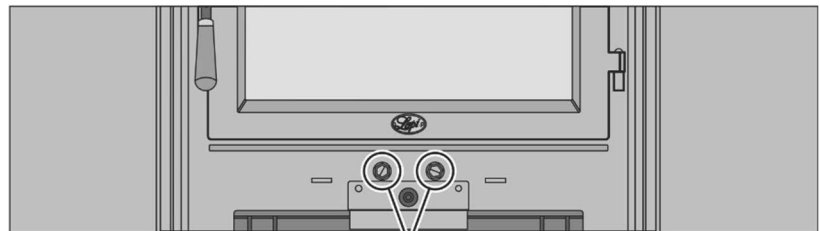


Standard
Screwdriver

Remove the push plug from the left side and insert it into the hole on the right side.

Installation

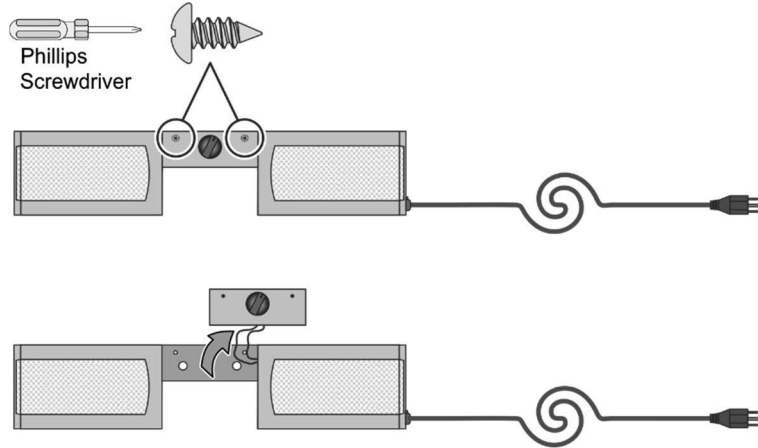
1. Use a 3/8" nut driver to remove the (2) mounting bolts from the front of the insert



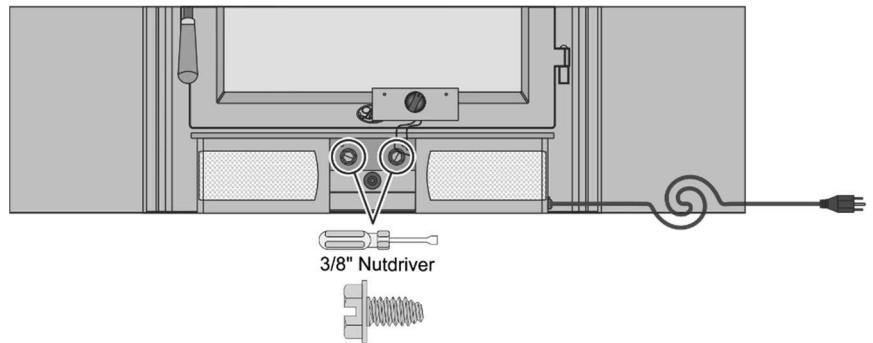
3/8" Nutdriver



- Remove the (2) Phillips head screws that secure the rheostat mounting plate to the blower assembly (set the screws aside for reinstallation). Lift the rheostat mounting plate out of the way but leave the wires connected. You will now see the (2) holes on the blower assembly used to mount the assembly.

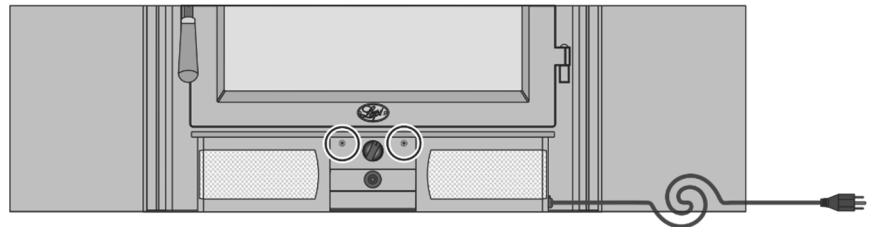


- Place the blower assembly into position under the ashlip of the insert. Align the mounting holes in the blower assembly with the holes in the insert. Secure the blower assembly to the insert using the mounting bolts removed in step 1.



NOTE: Before tightening the screws with a 3/8" nut driver, lift the blower up so it tucks underneath the ashlip and make sure no wires will be pinched.

- Put the rheostat mounting plate back in place and secure it to the blower assembly using the (2) Phillips screws removed in step 2.



- Plug the power cord running from the blower into a grounded 110-volt electrical outlet.

Adjusting the Burn Rate	19	Insert Rollers	13
Air Tube Identification	31	Installation Options	6
Air Tube Removal & Replacement	32	Introduction	2
Ash Removal	22	Maintaining your Appliance	26
Baffle Removal & Replacement	33	Mantel Requirements	11
Before Your First Fire	17	Masonry Fireplace - Hearth Extension Requirements	9
Bypass Operation	18	Masonry Fireplace Requirements	10
Clean the Glass	26	Monthly Maintenance	27
Curing the Paint	17	Normal Operating Sounds	23
Daily Maintenance	26	Opening the Door	18
Dimensions	6	Optional Blower Operation	22
Do Not Burn List	24	Overnight Burn	22
Door Adjustment	27	Packing List	7
Door and Glass Inspection	27	Planning the Installation	7
Door Parts	29	Re-Loading the Stove	22
Drafting Performance	13	Remove Ash	26
Emissions	6	Removing the Door	29
Features	6	Replacing the Door Gasket	29
Firebox Parts	30	Replacing the Glass	29
Firebrick Removal & Replacement	31	Safety Notice	17
Fireplace Altered Tag	8	Sealing the Flue to the Insert	14
Fireplace Requirements	8	Selecting Wood	23
Flue Installation	14	Starting a Fire	20
Front Blower	40	Surround Panel Installation	16
Heating Specifications	6	Troubleshooting	25
Hints for Burning	23	Why Dry Wood is Key	24
Important Information	2	Yearly Maintenance	28
Insert Placement Requirements	9		