

864TRV Fireplace

Tested and Listed by



OMNI-Test Laboratories, Inc.
Beaverton, Oregon
Report # 028-F-59-5
ANSI Z21.88b-2003

- **Built-In Direct Vent Fireplace**
- **Natural Gas or Propane**
- **Residential or Mobile Home**

WARNING: If the information in these instructions is not followed exactly, a fire or explosion may result causing property damage, personal injury or loss of life.

- Do not store or use gasoline or other flammable vapors and liquids in the vicinity of this or any other appliance.

WHAT TO DO IF YOU SMELL GAS

- Do not try to light any appliance.
- Do not touch any electrical switch; do not use any phone in your building.
- Immediately call gas supplier from a neighbor's phone. Follow the gas supplier's instructions.
- If you cannot reach your gas supplier, call the fire department.
- Installation and service must be performed by a qualified installer, service agency or the gas supplier.

This appliance may be installed as an OEM installation in a manufactured (mobile) home and must be installed in accordance with the manufacturer's instructions and the manufactured home construction and safety standard, Title 24 CFR, Part 3280.

This appliance is only for use with the type(s) of gas indicated on the rating plate. A conversion kit is supplied with the appliance.

Installation Manual



**TRAVIS INDUSTRIES
HOUSE OF FIRE**

4800 Harbour Pointe Blvd. SW
Mukilteo, WA 98275

Installer: After installation give this manual to the homeowner and explain operation of this heater.

© Copyright 2007, T.I. \$10.00 100-01173_001 4050714

Overview

This manual details the installation requirements for the 864TRV fireplace. For operating and maintenance instructions, refer to the 864TRV Owner's Manual (part # 100-011168).

Listing Details

This appliance was listed by OMNI Test Labs to ANSI Z21.88 - report # 028-F-59-5. The listing label is attached to the appliance near the gas control valve. A copy is shown to the right.

ICBO Approval

This appliance was listed by OMNI Test Labs - ICBO # TL130.

Massachusetts Approval


This manual has been submitted to the Massachusetts Board of State Examiners of Plumbers and Gas Fitters

National Fireplace Institute



We suggest that our gas hearth products be installed and serviced by professionals who are certified in the U.S. by the National Fireplace Institute® (NFI) as NFI Gas Specialists.

www.nficertified.org



OMNI Test Labs
Certified for USA

864TRV
Vented Gas Fireplace Heater

CAUTION: Hot while in operation. Do not touch. Severe burns may result. Keep children, clothing, furniture, gasoline and other liquids having flammable vapors away. Do not operate this appliance with glass removed, cracked or broken. Replacement of the panel(s) should be done by a licensed or qualified service person.

VENTED GAS FIREPLACE HEATER - NOT FOR USE WITH SOLID FUEL

This vented gas fireplace heater is equipped at the factory for use with natural gas. If conversion to propane (LP) is desired, the optional factory conversion kit must be used. This appliance is only for use with the type of gas indicated on the rating plate and may be installed in an aftermarket, permanently located, manufactured (mobile) home where not prohibited by local codes. See owner's manual for details. This appliance is not convertible for use with other gases, unless a certified kit is used.

This vented gas fireplace heater is not for use with air filters. Keep burner and control compartment clean. See installation and operating instructions accompanying appliance. This appliance must be properly connected to a venting system in accordance with the manufacturer's installation instructions. Use only approved coaxial direct vent system to vent this appliance to the exterior. See owner's manual for approved brands of venting. **WARNING:** Improper installation, adjustment, alteration, service or maintenance can cause injury or property damage. Refer to the owner's information manual provided with this appliance. For assistance or additional information consult a qualified installer, service agency or the gas supplier.

Tested to: ANSI Z21.88-2003 "Vented Gas Fireplace Heater" and UL 307b-1995 "Gas Burning Heating Appliances for Manufactured Homes". This appliance must be installed in accordance with local codes, if any. If none, follow the National Fuel Gas Code, ANSI Z223.1/NFPA 54, Installation in Manufactured or Mobile Homes must conform with Manufactured Home Construction and Safety Standard, Title 24 CFR, Part 3280.

This vented gas fireplace heater is equipped at the factory for use with natural gas. If conversion to propane (LP) is desired, the optional factory conversion kit must be used.

This appliance is only for use with the type of gas indicated on the rating plate and may be installed in an aftermarket, permanently located, manufactured (mobile) home where not prohibited by local codes. See owner's manual for details. This appliance is not convertible for use with other gases, unless a certified kit is used.


This vented gas fireplace heater is not for use with air filters. Keep burner and control compartment clean. See installation and operating instructions accompanying appliance. This appliance must be properly connected to a venting system in accordance with the manufacturer's installation instructions. Use only approved coaxial direct vent system to vent this appliance to the exterior. See owner's manual for approved brands of venting. **WARNING:** Improper installation, adjustment, alteration, service or maintenance can cause injury or property damage. Refer to the owner's information manual provided with this appliance. For assistance or additional information consult a qualified installer, service agency or the gas supplier.

IGN 549

		Minimum Clearances to Combustibles	
		L.P.	N.G.
Fireplace to Adjacent Wall	1"	Top to enclosure (from stand-offs)	0"
Wood Floor Beneath Fireplace	0"	Sides to enclosure	0.5"
Back to enclosure	0.5"	Base of Fireplace to an 8" Mantel (see manual for other mantel depths)	44.75"
		L.P.	N.G.
Input Rate on "HI" (BTU/Hr)	31,000	Minimum Inlet Pressure (inches W.C.)	11" 5.5"
Input Rate on "LO" (BTU/Hr)	8,000	Maximum Inlet Pressure (inches W.C.)	13" 7"
		Manifold Pressure on "HI" (inches W.C.)	10" 3.5"
For natural gas when equipped with the following drill size orifice: DMS 49 Front - 49 Back			
For propane when equipped with the following drill size orifice: DMS 57 Front - 57 Back			
This appliance is equipped for use only at altitudes 0-2,000 feet.			
For altitudes above 2,000 feet, the vent configuration, orifice, or combination of both may need to be changed.			
See the owner's manual for information on making these changes.			
Electrical Rating: 115v, 1.5 Amps, 60 Hz			

Manufacture: 2005 Jan, 2006 Feb, 2007 Mar

Apr, May, Jun, Jul, Aug, Sep, Oct, Nov, Dec



TRAVIS INDUSTRIES
HOUSE OF FIRE
4800 Harbour Pointe Blvd, SW Mukilteo, WA 98275

Introduction

Overview.....	2
Listing Details.....	2

Safety Precautions

Safety Precautions.....	4
-------------------------	---

Features and Specifications

Features.....	6
Installation Options.....	6
Heating Specifications.....	6
Dimensions.....	6

Installation

Packing List.....	7
Additional Items Required.....	7
Installation Overview.....	7
Recommended Installation Procedure.....	7
Top Vent or Rear Vent Configuration.....	8
Converting the Fireplace to Top Vent Configuration.....	8
Fireplace Placement Requirements.....	10
Clearances.....	10
Raised Fireplaces.....	10
Mn. Framing Dims. - Rear Vent Configuration.....	11
Mn. Framing Dims. - Top Vent Configuration.....	12
Nailing Brackets.....	13
Corner Installations - Rear Vent Configuration.....	14
Corner Installations - Top Vent Configuration.....	15
Gas Line Requirements.....	16
Fuel.....	16
Gas Line Connection.....	16
Gas Inlet Pressure.....	16
Gas Line Location.....	16
Electrical Connection (required).....	18
Wall Switch or Thermostat Installation.....	19
Wiring Diagram (Millivolt System).....	19
Wall Switch Installation.....	19
Vent Requirements.....	20
Vent Clearances.....	20
Altitude Considerations.....	20
Approved Vent.....	21
Vent Installation.....	21
Approved Vent Configurations.....	22
Restrictor Position.....	22
Exhaust Restrictor Adjustment.....	22
Intake Restrictor Adjustment.....	23
Diffuser Plate Adjustment.....	24
Rear Vent Config. W Horizontal Term. (no vertical rise).....	25
Rear Vent Config. W Horizontal Term. (w vertical rise).....	26
Rear Vent Configuration with Vertical Termination.....	27
Top Vent Configuration with Horizontal Termination.....	28
Top Vent Configuration with Vertical Termination.....	29
Termination Requirements.....	30

Installation (continued)

Hearth Requirements.....	31
Facing Requirements.....	32
Drywall Installation.....	32
Facing Overview.....	33
Optional Faceplates – Sizing Chart.....	33
Thin Facing Installation.....	34
Thick Facing Installation.....	36
Thick Facing Installation with FPX Arched Faces.....	37
Mantel Requirements.....	39
Install Example - Build-Out (Dog-House) w Hor. Term.....	40
Install Example - Build-In w Hor. Term.....	41

Finalizing the Installation

Steps for Finalizing the Installation.....	42
Starting the Pilot Flame.....	42
Pilot Flame Inspection.....	42
Air Shutter Adjustment.....	43
Glass Frame Removal and Installation.....	45
Log Set Installation.....	47
LP Conversion Instructions.....	52

Optional Equipment

Fireback Installation.....	56
Blower (part # 99000156).....	57
Grill Installation.....	60
Remote Control Receiver Installation (2 Options).....	61
Extra Room Power Heat Duct.....	62

Index

Index.....	68
------------	----

Safety Warnings:

- Failure to follow all of the requirements may result in property damage, bodily injury, or even death.
- This unit must be installed by a qualified installer to prevent the possibility of an explosion.
- This appliance must be installed in accordance with all local codes, if any; if not, in U.S.A. follow ANSI Z223.1 and NFPA 54(88).
- In Manufactured or Mobile Homes must confirm with: In USA, Manufactured Home Construction and Safety Standard, Title 24 CFR, Part 3280. This appliance may be installed in Manufactured Housing only after the home is site located.
- All exhaust gases must be vented outside the structure of the living-area. Combustion air is drawn from outside the living-area structure.
- Notify your insurance company before hooking up this fireplace.
- The room heater should be inspected before use and at least annually by a qualified service person. More frequent cleaning may be required due to excessive lint from carpeting, bedding material, etc.
- The instructions in this manual must be strictly adhered to. Do not use makeshift methods or compromise in the installation. Improper installation will void the warranty and safety listing.
- This heater is approved for use with natural gas (NG) or propane (LP). Burning the incorrect fuel will void the warranty and safety listing and may cause an extreme safety hazard. Direct questions about the type of fuel used to your dealer. Check the label and flame adjust knob on the gas control valve.
- Contact your local building officials to obtain a permit and information on any installation restrictions or inspection requirements in your area.
- If the flame becomes sooty, dark orange in color, or extremely tall, do not operate the heater. Call your dealer and arrange for proper servicing.
- It is imperative that control compartments, screens, or circulating air passageways of the heater be kept clean and free of obstructions. These areas provide the air necessary for safe operation.
- Do not operate the heater if it is not operating properly in any fashion or if you are uncertain. Call your dealer for a full explanation of your heater and what to expect.
- Do not store or use gasoline or other flammable liquids in the vicinity of this heater.
- Do not operate if any portion of the heater was submerged in water or if any corrosion occurs.
- Do not place clothing or other flammable items on or near the heater. Because this heater can be controlled by a thermostat there is a possibility of the heater turning on and igniting any items placed on or near it.
- Light the heater using the built-in piezo igniter. Do not use matches or any other external device to light your heater.
- Never remove, replace, modify or substitute any part of the heater unless instructions are given in this manual. All other work must be done by a trained technician. Don't modify or replace orifices.
- The viewing glass should be opened only for lighting the pilot or conducting service.
- Any safety screen or guard removed for servicing must be replaced prior to operating the heater.

Safety Warnings (continued):

- Allow the heater to cool before carrying out any maintenance or cleaning.
- Operate the heater according to the instructions included in this manual.
- If the main burners do not start correctly turn the gas off at the gas control valve and call your dealer for service.
- The pilot flame must contact the thermopile and thermocouple. If it does not, turn the gas control valve to "OFF" and call your dealer.
- This unit is not for use with solid fuel.
- Do not place anything inside the firebox (except the included fiber logs).
- If the fiber logs become damaged, replace with Travis Industries log set.
- Do not throw this manual away. This manual has important operating and maintenance instructions that you will need at a later time. Always follow the instructions in this manual.
- Do not touch the hot surfaces of the heater. Educate all children of the danger of a high-temperature heater. Young children should be supervised when they are in the same room as the heater.
- Due to the high temperature, the heater should be located out of traffic and away from furniture and draperies.
- Instruct everyone in the house how to shut gas off to the appliance and at the gas main shutoff valve. The gas main shutoff valve is usually next to the gas meter or propane tank and requires a wrench to shut off.
- **Travis Industries, Inc. grants no warranty, implied or stated, for the installation or maintenance of your heater, and assumes no responsibility of any consequential damage(s).**

Installation Options

- Residential or Mobile Home
- Straight or Corner Placement
- Flush or Recessed Face
- Raised or Floor Placement
- Internal or External Chase
- Horizontal or Vertical Vent
- Bedroom Approved

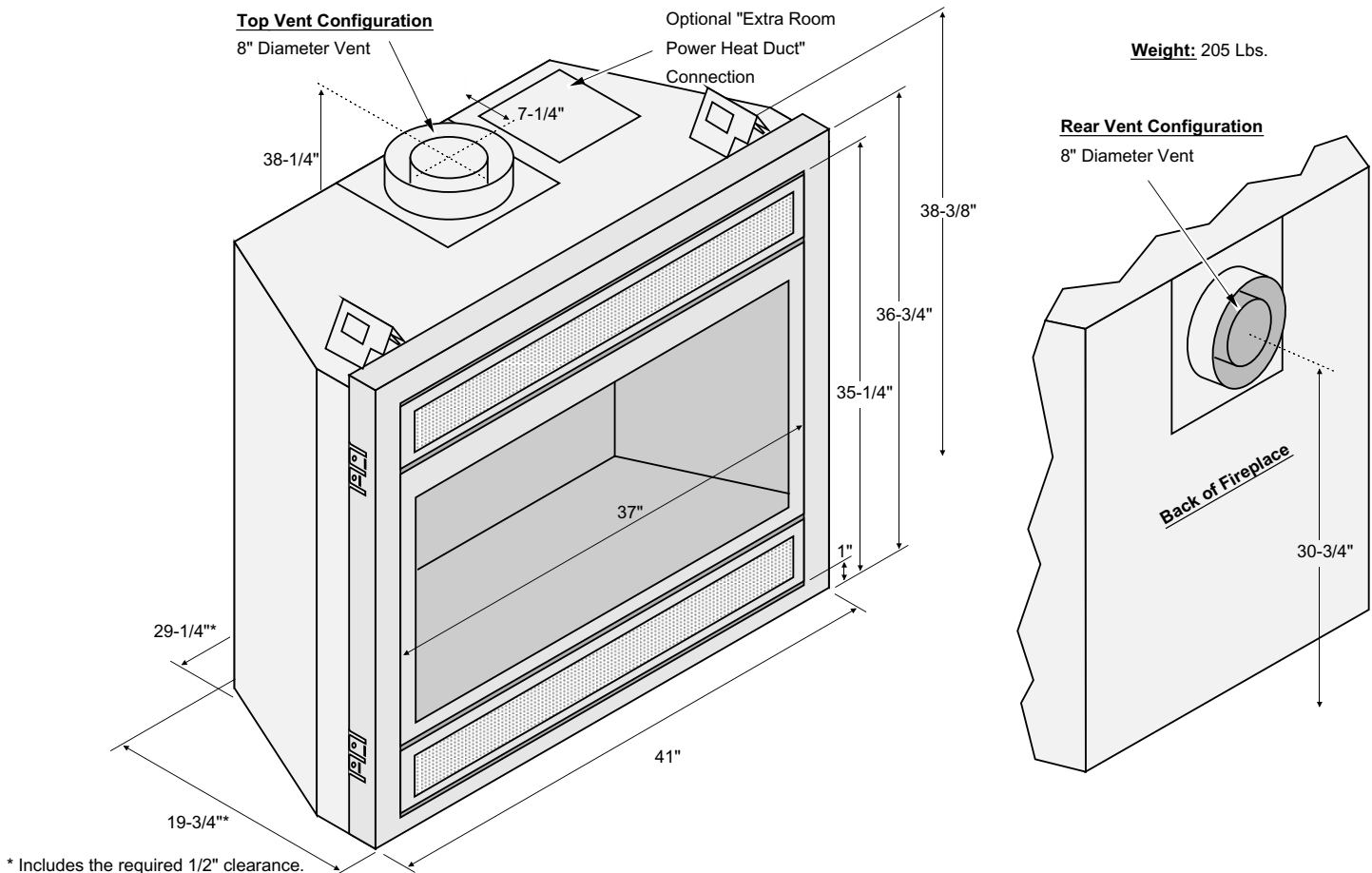
Heating Specifications

	Natural Gas	Propane
Approximate Heating Capacity (in square feet)*	450 to 1,400	450 to 1,400
Maximum BTU Input Per Hour	31,000	31,000
Minimum BTU Output on Low	6,700	5,200
Steady State Efficiency** (with blowers on)	77.2 %	78.4 %
AFUE (Annual Fuel Utilization Efficiency)	68.3 %	69.4 %

* Heating capacity will vary with floor plan, insulation, and outside temperature.

** Efficiency rating is a product thermal efficiency rating determined under continuous operation independent of installed system.

Dimensions



Packing List

- Propane Conversion Kit
- Log Set
- Wall Switch with Wire (see page 19 for details)
- Firestop (sku 93006094)

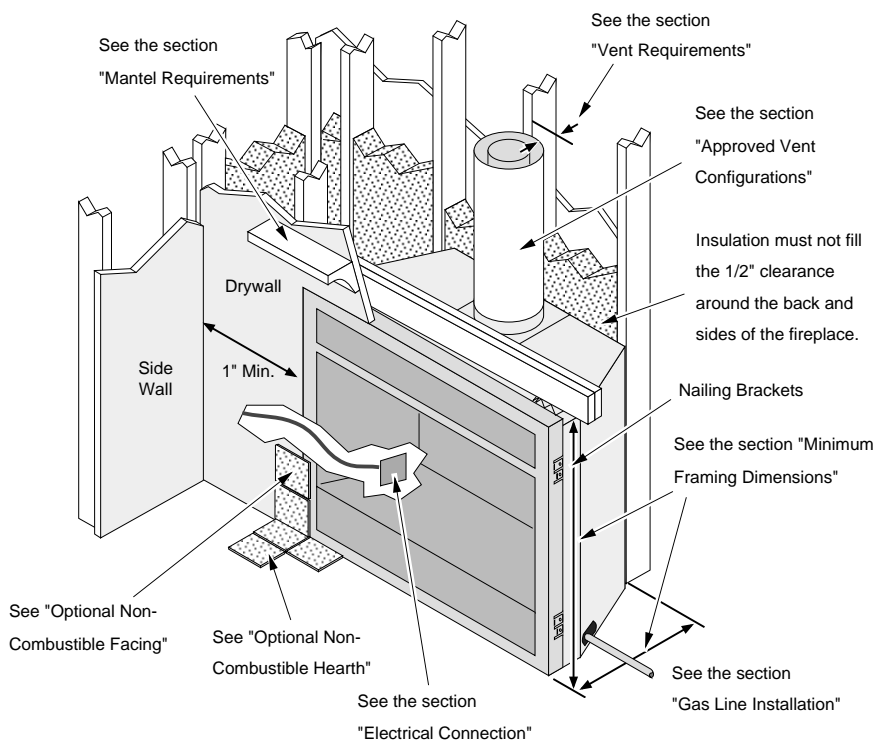
Additional Items Required

- Direct Vent
- Gas Line Equipment (shutoff valve, pipe, etc.)
- Electrical Equipment (min. 14 gauge, grounded line)

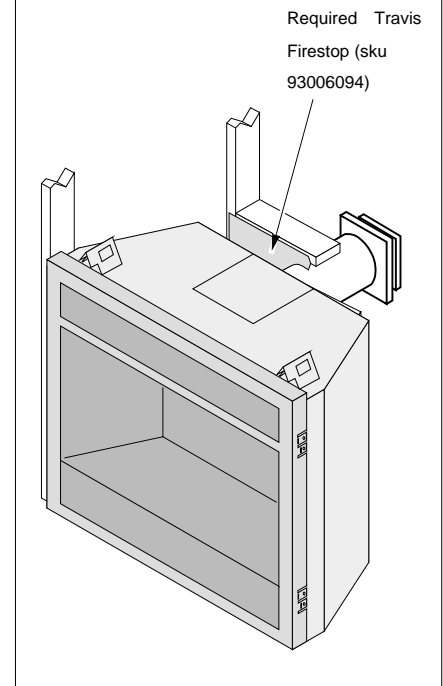
Installation Overview

- All requirements below must be met.

Top Vent Configuration



Rear Vent Configuration



Recommended Installation Procedure

- Frame the opening for the fireplace. Make sure to allow for vent installation.
- This fireplace is designed to accommodate 1/2" or 5/8" drywall (see "Nailing Brackets" on page 13 for details). Secure the fireplace to the framing.
- Install the vent, gas line and electrical hook-up.
- Install the wall switch (see page 19) or thermostat (if applicable).
- Install the drywall.
- Install the hearth (if applicable).
- Install the facing (if applicable).
- Install the mantel (if applicable).
- Finalize the installation (see page 42) and install the grill or face.

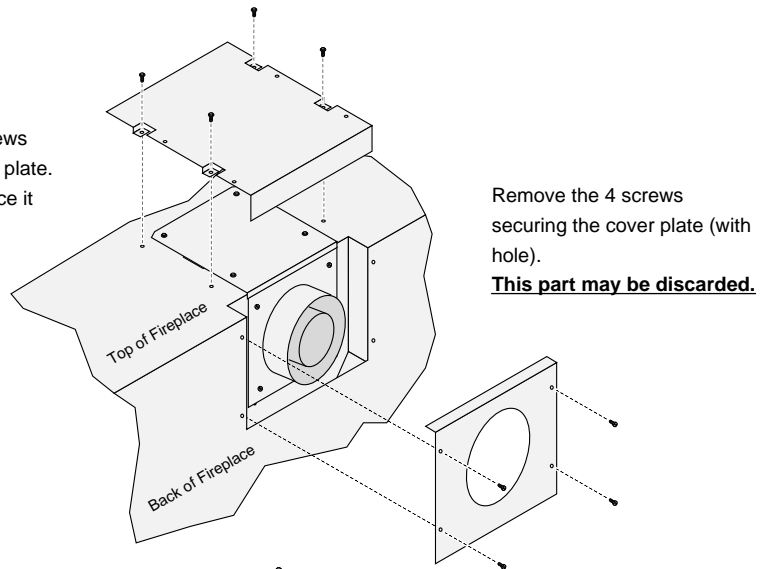
Top Vent or Rear Vent Configuration

This appliance is shipped in the rear vent configuration. To change to the top vent configuration, follow the directions below.

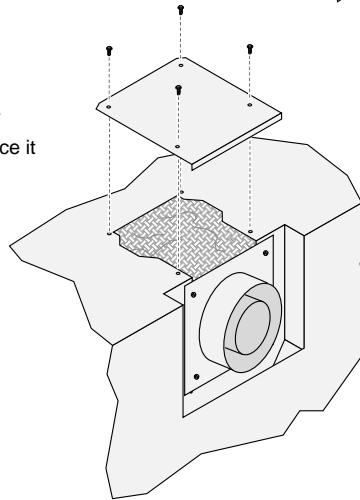
NOTE: the vent configuration affects several aspects of installation (framing, maximum vent rise, maximum vent run). When reviewing the installation requirements make sure to pay attention to the type of configuration being used.

Converting the Fireplace to Top Vent Configuration

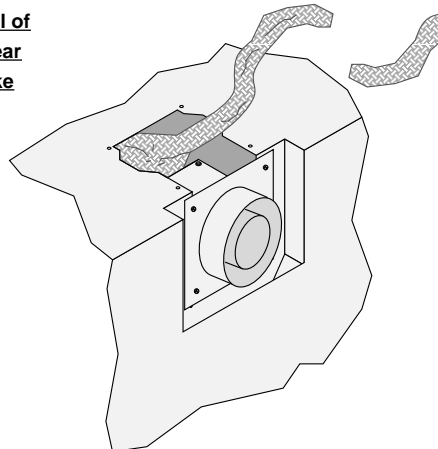
Remove the 4 screws securing the cover plate. Remove it and place it aside.



Remove the 4 screws securing the intake cover plate. Remove it and place it aside.

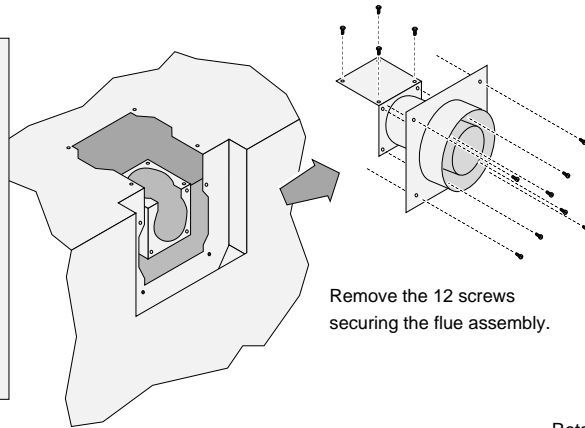
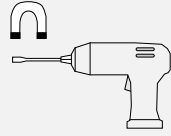


Remove and discard all of the insulation found near the flue assembly (make sure to remove every piece).

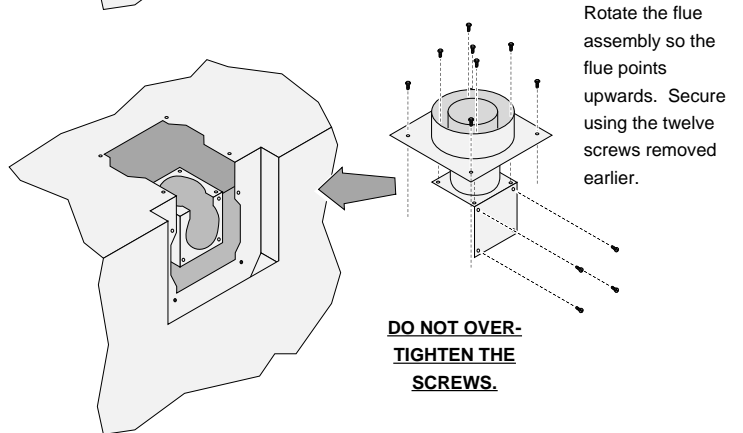


Converting the Fireplace to Top Vent (continued)

NOTE: Use a magnetic-tipped nutdriver on these screws - take care to prevent the screws from falling into the fireplace.

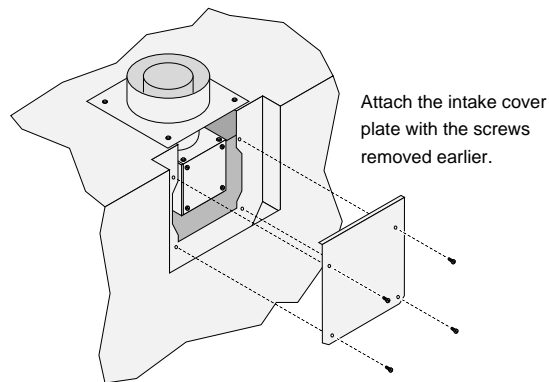


Remove the 12 screws securing the flue assembly.

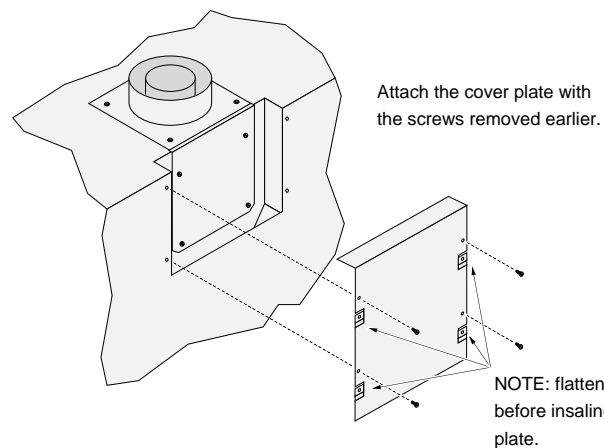


Rotate the flue assembly so the flue points upwards. Secure using the twelve screws removed earlier.

DO NOT OVERTIGHTEN THE SCREWS.



Attach the intake cover plate with the screws removed earlier.



Attach the cover plate with the screws removed earlier.

NOTE: flatten the four legs before insaling the cover plate.

Fireplace Placement Requirements

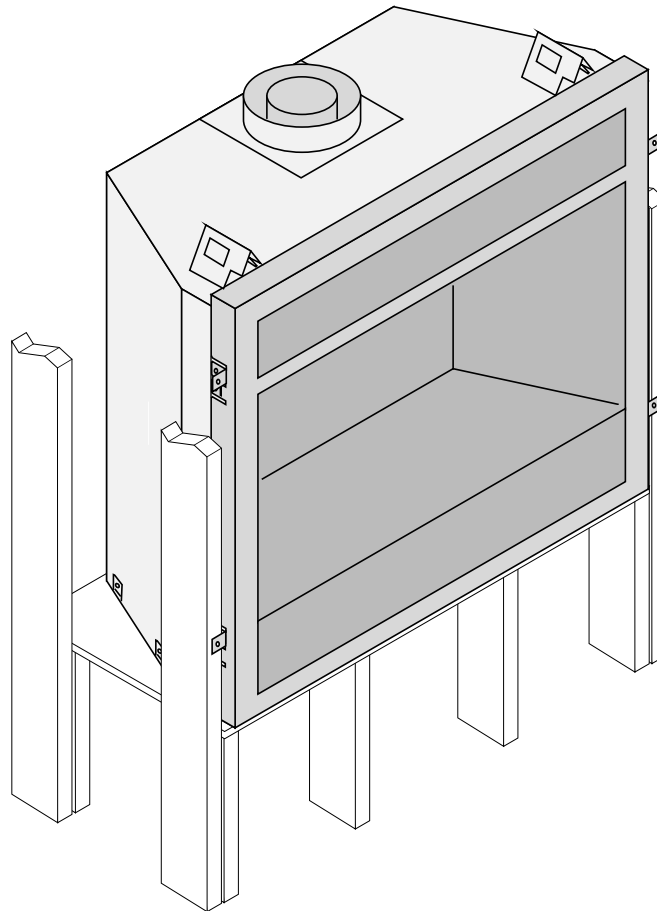
- The fireplace requires a 1/2" clearance from the angled sides and back of the fireplace to the framing members. No material (insulation, framing, etc.) may be placed into this area.
- Fireplace must be installed on a level surface capable of supporting the fireplace and vent
- Fireplace must be placed directly on wood or non-combustible surface (not on linoleum or carpet)
- This heater may be placed in a bedroom. Please be aware of the large amount of heat this appliance produces when determining a location.

Clearances

- When installed, walls in front of the fireplace must be a minimum 1" to the side of the fireplace.
- Due to the high temperature, the heater should be located out of traffic and away from furniture and draperies.
- Fireplace must be placed so the vents below and above the glass do not become blocked.

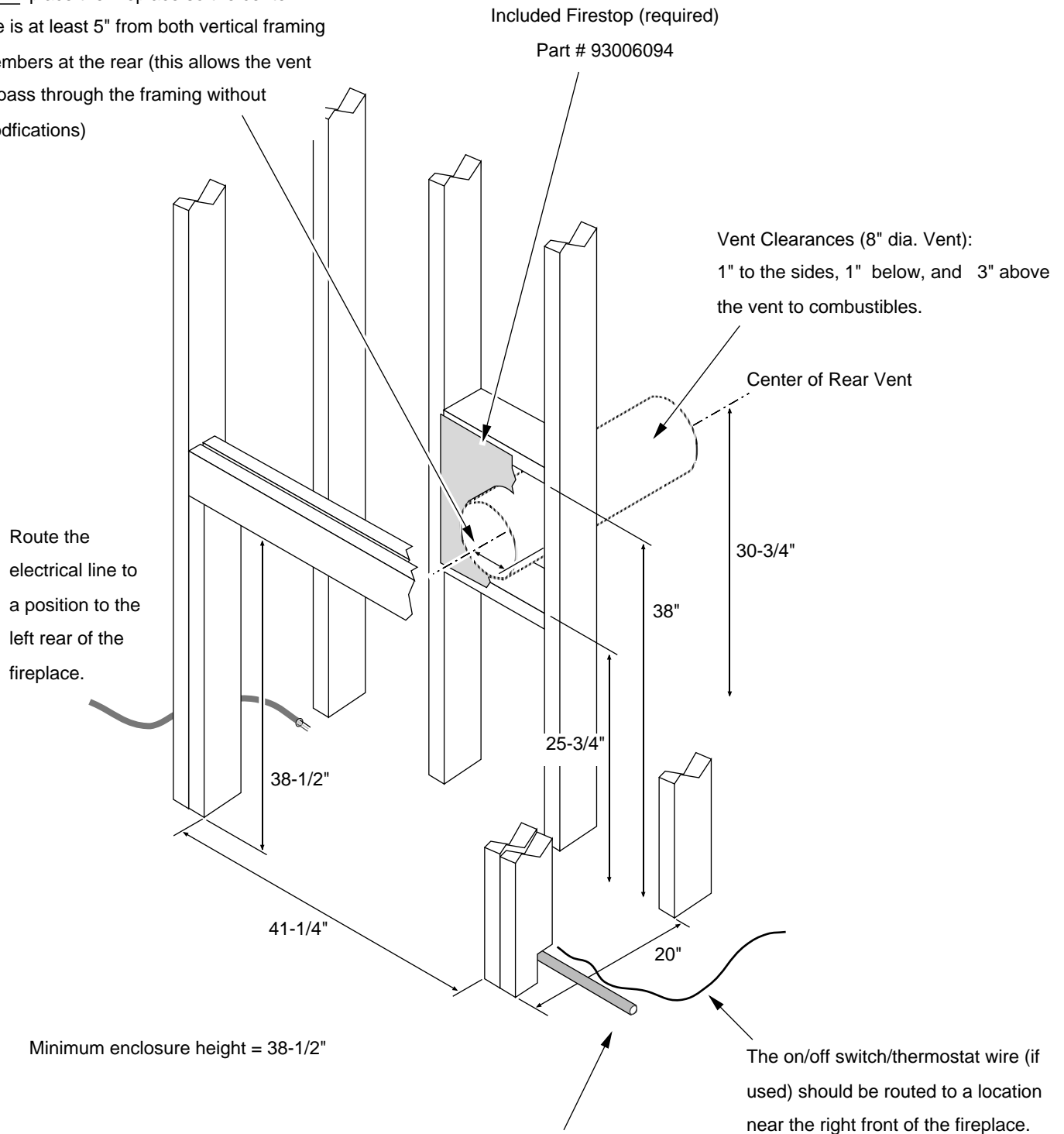
Raised Fireplaces

- The fireplace (and hearth, if desired) may be placed on a platform designed to support the fireplace (205 Lbs.) and vent.



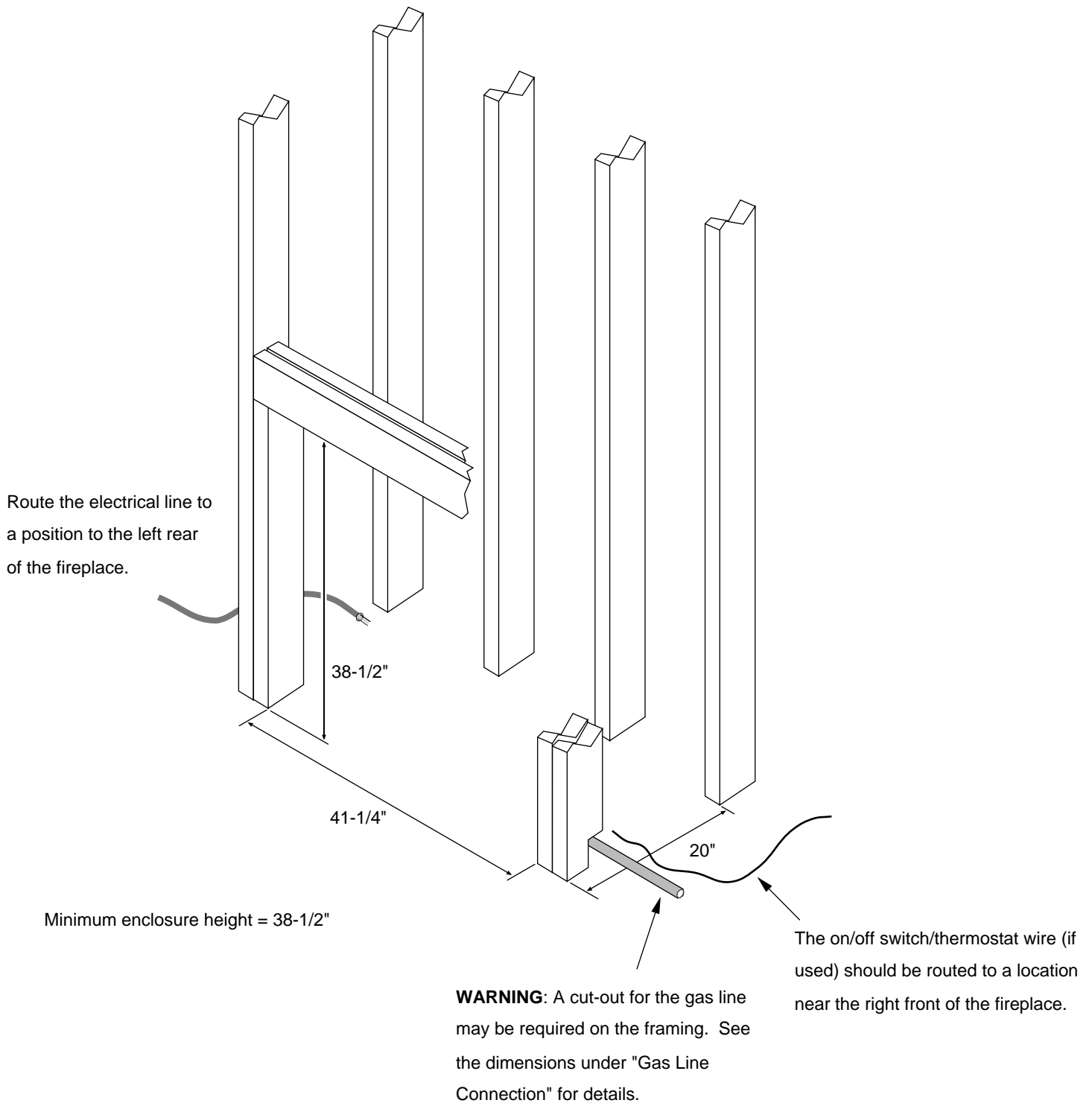
Minimum Framing Dimensions - Rear Vent Configuration

HINT: place the fireplace so the center line is at least 5" from both vertical framing members at the rear (this allows the vent to pass through the framing without modifications)



WARNING: A cut-out for the gas line may be required on the framing. See the dimensions under "Gas Line Connection" for details.

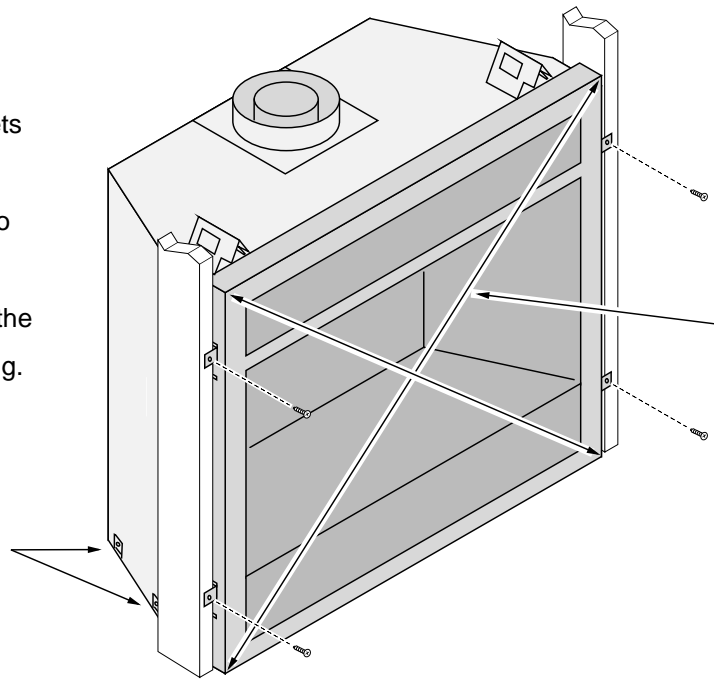
Minimum Framing Dimensions - Top Vent Configuration



Nailing Brackets

There are four nailing brackets on the front of the fireplace. Follow the directions below to prepare the nailing brackets. Once in place, nail or screw the nailing brackets to the framing.

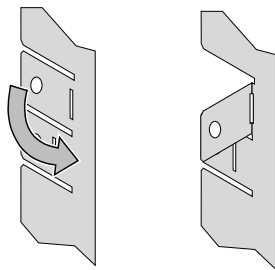
NOTE: Additional nailing brackets are provided along the base of the fireplace. Use these brackets if not using the front brackets.



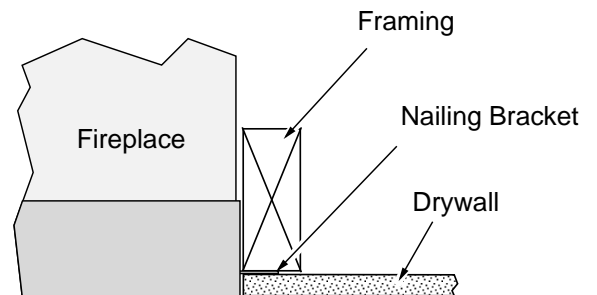
: Make sure the fireplace is square and plumb when placed in the framing. Measured corner-to-corner, the fireplace should be square (approx. 54-7/8" for each dimension). Use shims to insure the fireplace is square.

1/2" Drywall

For installations using 1/2" facing fold the larger tab out 90° (use a screwdriver if necessary).

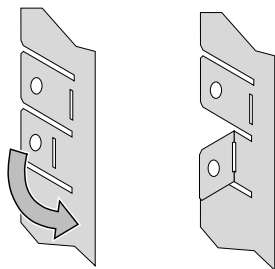


TOP VIEW

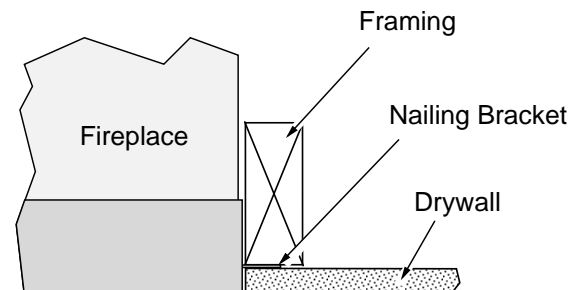


5/8" Drywall

For installations using 5/8" drywall fold the shorter tab out 90° (use a screwdriver if necessary).

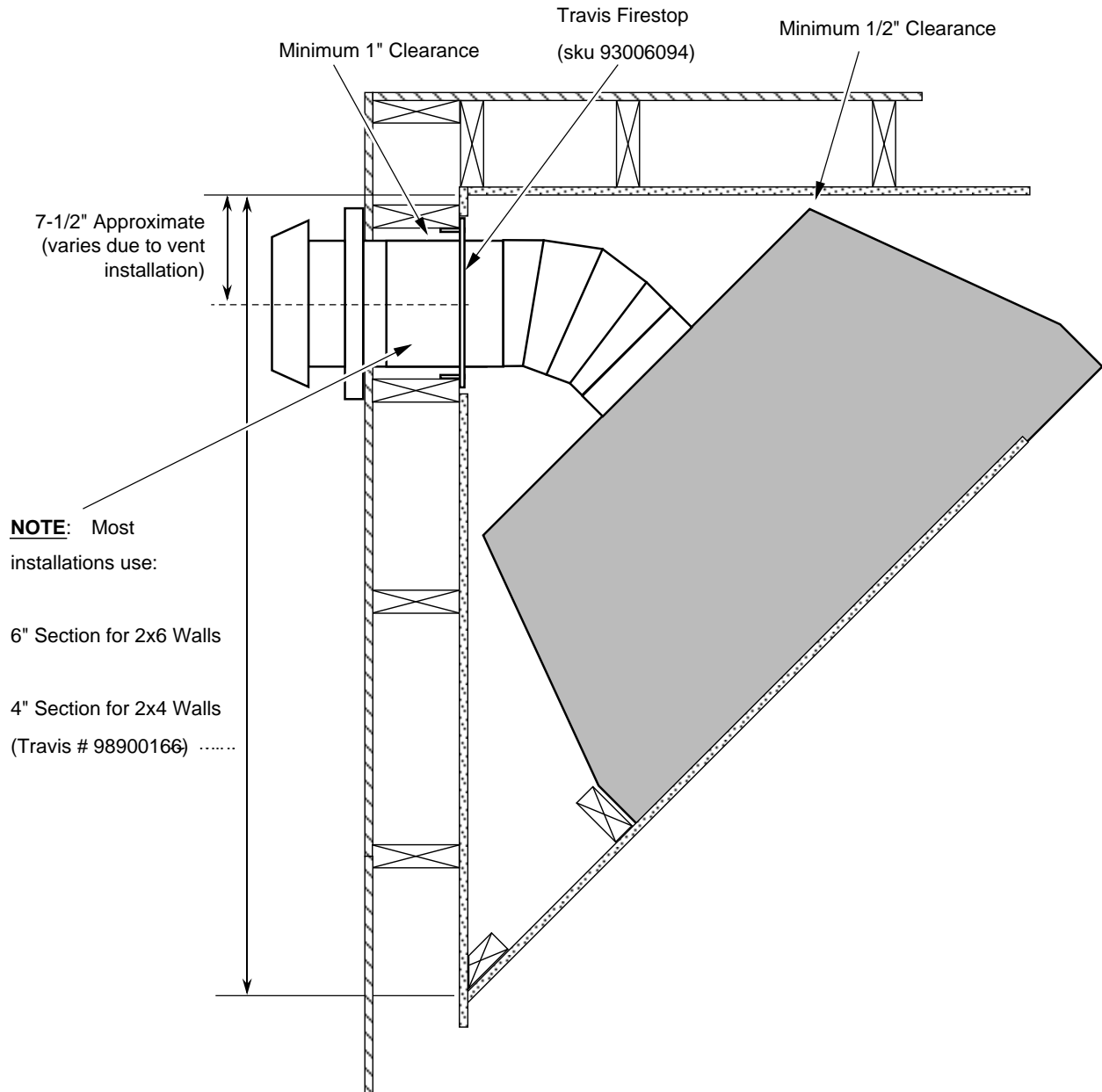


TOP VIEW



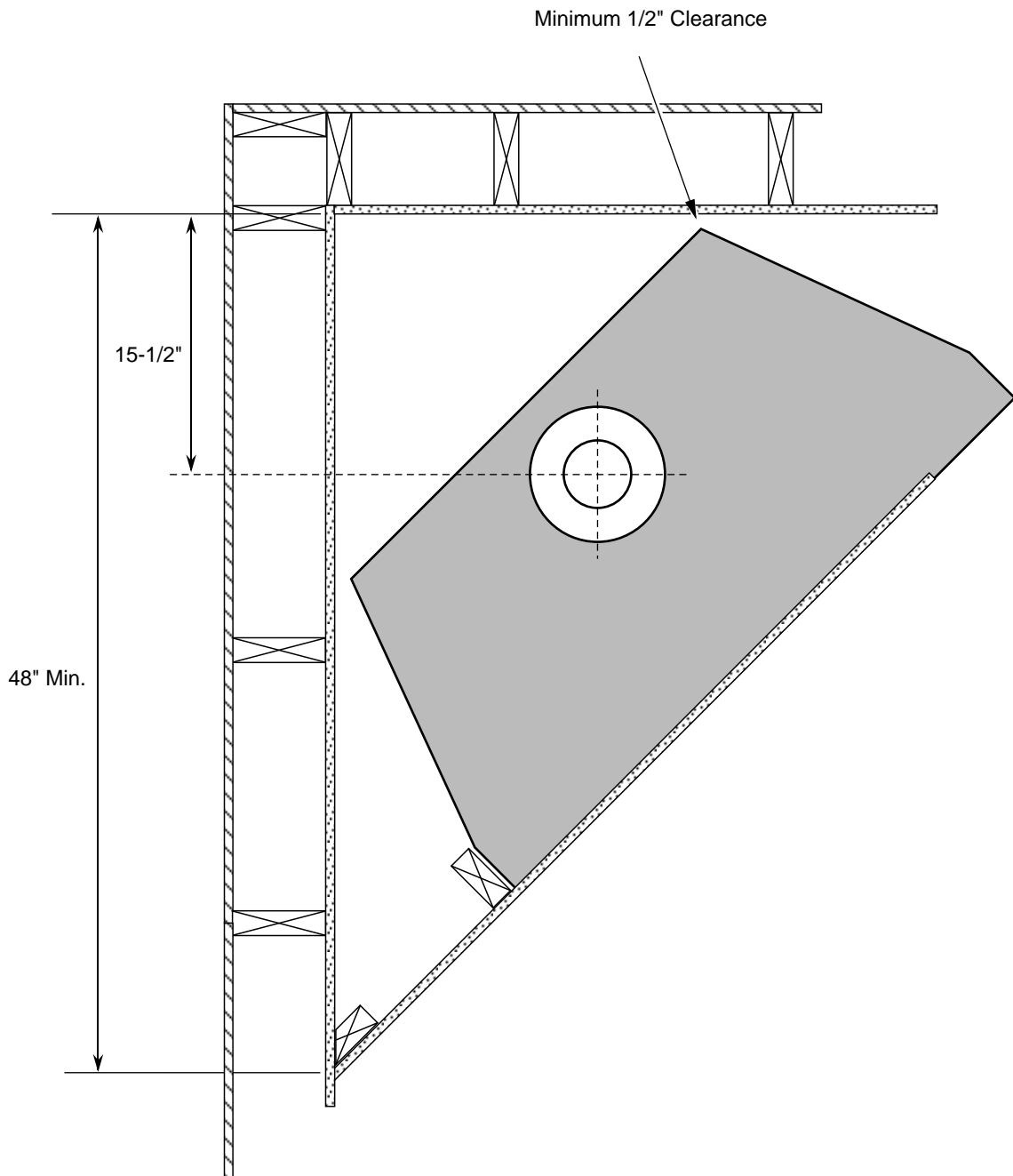
Corner Installations - Rear Vent Configuration

A typical 45° installation uses the framing dimensions shown in the illustration below (NOTE: all clearances still apply).



Corner Installations - Top Vent Configuration

A typical 45° installation uses the framing dimensions shown in the illustration below (NOTE: all clearances still apply).



Gas Line Requirements

MASSACHUSETTS INSTALLATIONS - **WARNING:**

THIS PRODUCT MUST BE INSTALLED BY A LICENSED PLUMBER OR GAS FITTER WHEN INSTALLED WITHIN THE COMMONWEALTH OF MASSACHUSETTS.

OTHER MASSACHUSETTS CODE REQUIREMENTS:

- Flexible connector must not be longer than 36 inches.
- Shutoff valve must be a "T" handle gas cock.
- Only direct vent sealed combustion products are approved for bedrooms or bathrooms.
- Fireplace dampers must be removed or welded in the open position prior to the installation of a fireplace insert or gas log.
- A carbon monoxide (CO) detector is required in the same room as the appliance.
- The gas line must be installed in accordance with all local codes, if any; if not, follow ANSI 223.1 and the requirements listed below.
- The fireplace and gas control valve must be disconnected from the gas supply piping during any pressure testing of that system at test pressures in excess of 1/2 psig. For pressures under 1/2 psig, isolate the gas supply piping by closing the manual shutoff valve.
- Leak test all gas line joints and the gas control valve prior to and after starting the fireplace.

Fuel

- This fireplace is designed either for natural gas or for propane (but not for both). Check the sticker on the top of the gas control valve to make sure the correct fuel is used (see illustration on page 4).

Gas Line Connection

- Installation must be performed by a qualified installer, service agency or the gas supplier (In Massachusetts a licensed plumber/gasfitter).

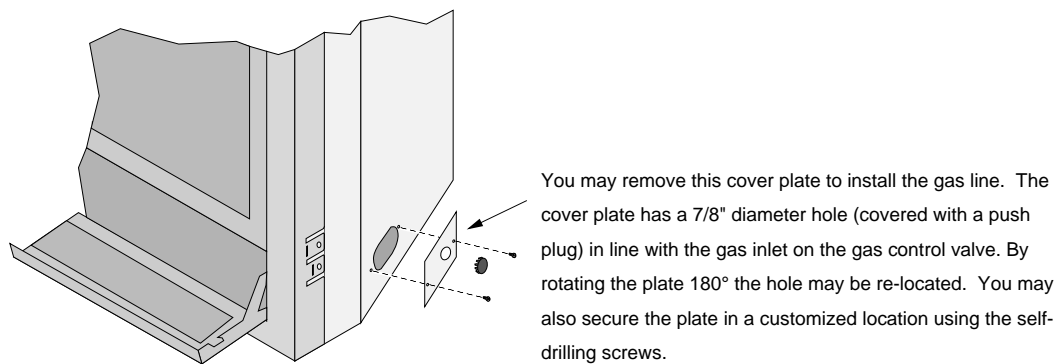
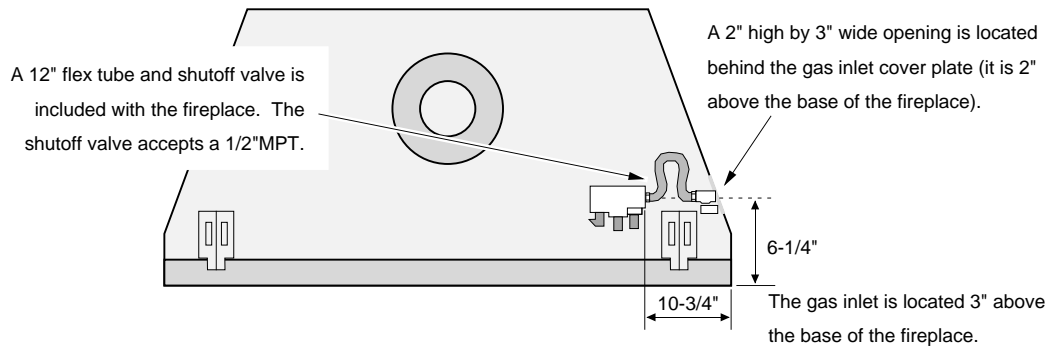
Gas Inlet Pressure

	Standard Input Pressure
Natural Gas	7" W.C. (1.74 kPA)
Propane	13" W.C. (2.73 kPA)

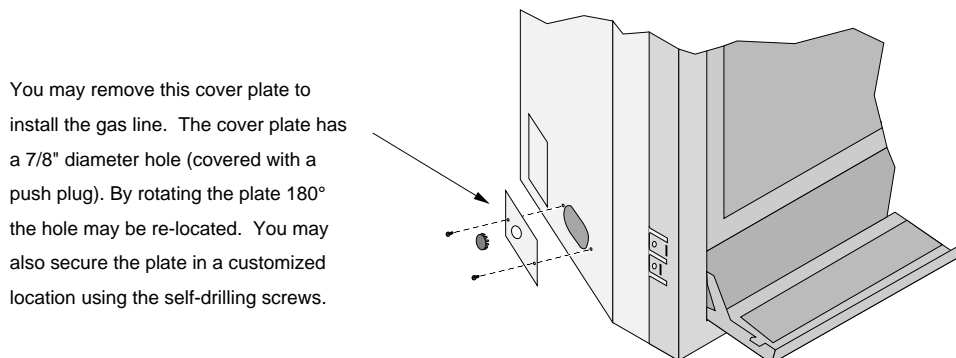
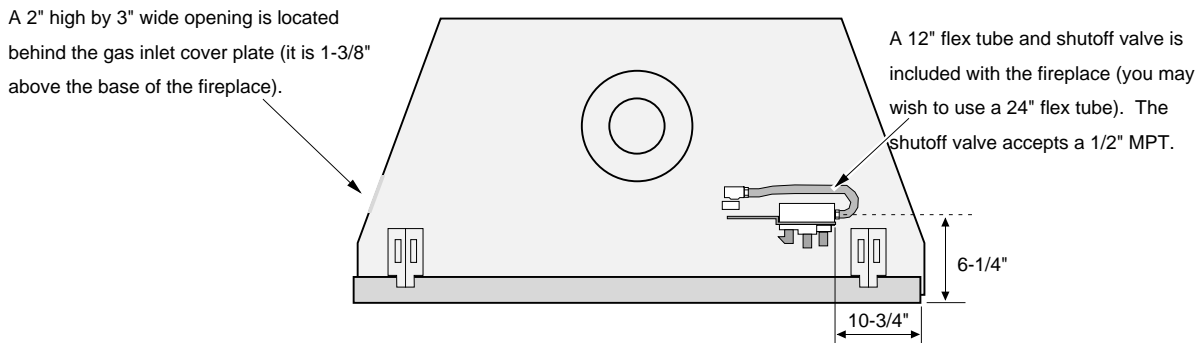
- If the pressure is not sufficient, make sure the piping used is large enough, the supply regulator is adequately adjusted, and the total gas load for the residence does not exceed the amount supplied.
- The supply regulator (the regulator that attaches directly to the residence inlet or to the propane tank) should supply gas at the suggested input pressure listed above. Contact the local gas supplier if the regulator is at an improper pressure.

Gas Line Location

Right Side Gas Inlet (preferred)



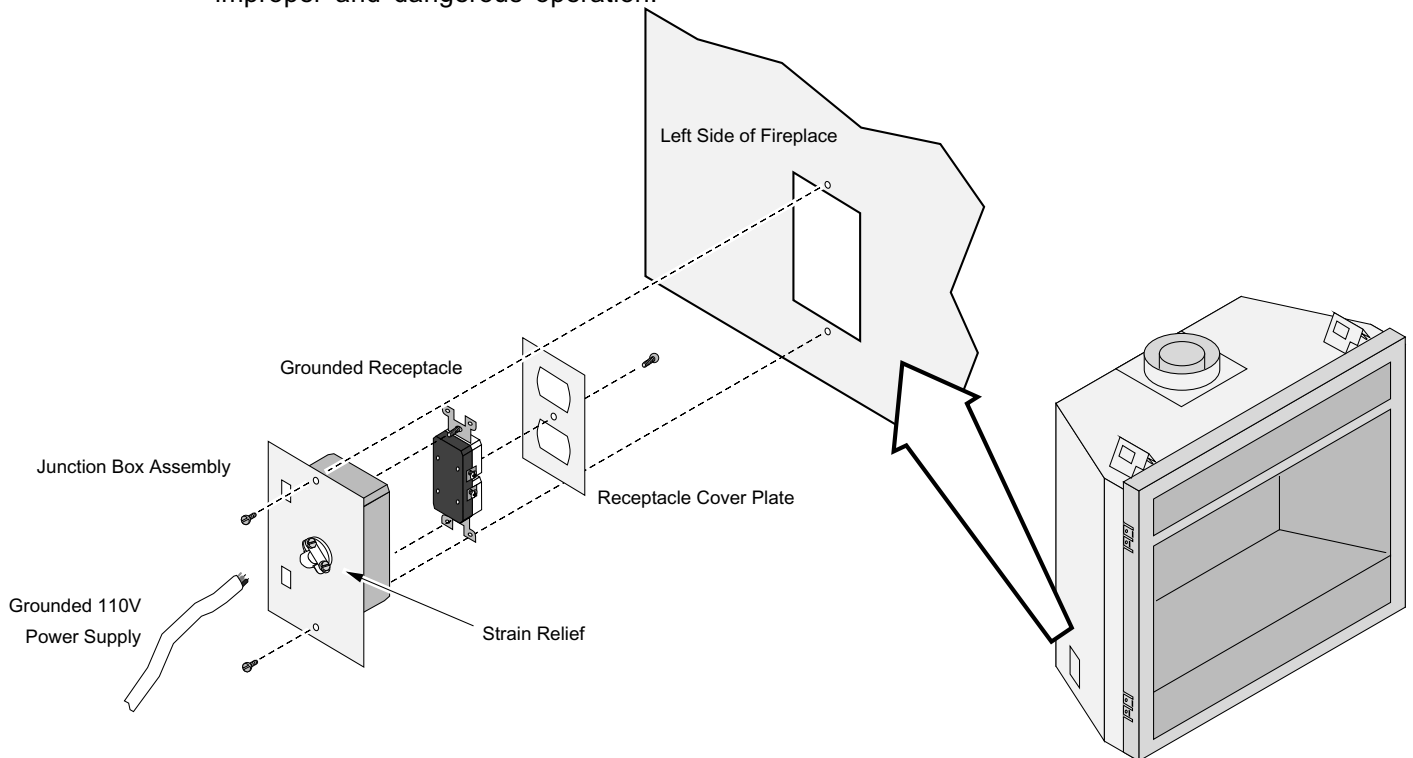
Left Side Gas Inlet



Electrical Connection (required)


- The electrical line to the grounded receptacle inside the fireplace must be installed by a qualified installer and must meet all local codes.
- Make sure the household breaker is shut off prior to working on any electrical lines.
- The fireplace must be properly grounded in accordance with local codes (or ANSI/NFPA 70-1987)
- The electrical line must be a min. 14 gauge, and supply 120 Volts at 60 Hz (2 Amps)

Caution: Label all wires prior to disconnection when servicing controls. Wiring errors can cause improper and dangerous operation.



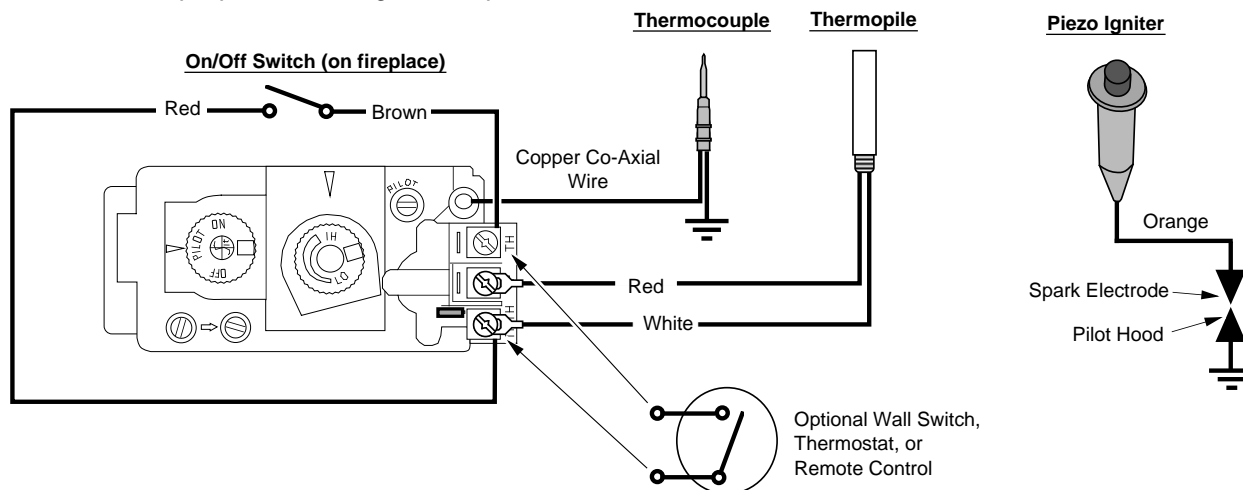
Wall Switch or Thermostat Installation

Wiring Diagram (Millivolt System)

 Do not connect 110-120 VAC to the gas control valve or wiring system of this fireplace. The switch must be installed by a qualified installer.

The included wall switch may be installed following the directions below. An optional thermostat may also be installed. It is attached to the gas control valve in the same manner.

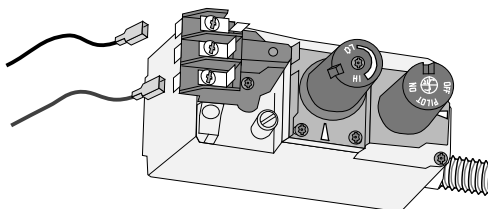
Caution: Label all wires prior to disconnection when servicing controls. Wiring errors can cause improper and dangerous operation.



Wall Switch Installation

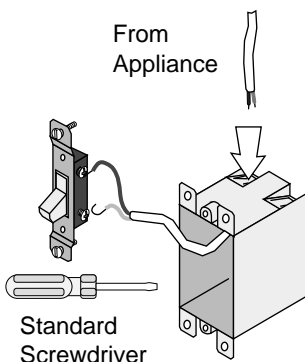
1. Attach the included wire to the gas control valve.

Attach the two wires to the top and bottom posts on the gas control valve (orientation does not matter).

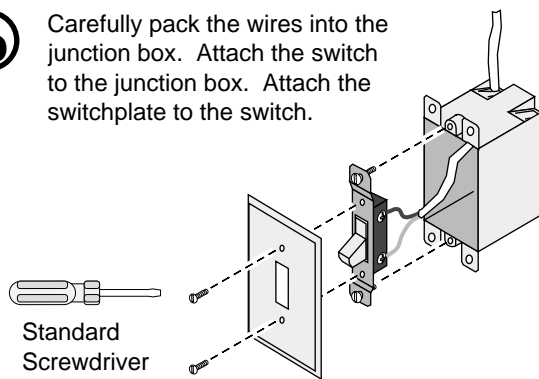


2. Determine a location for the wall switch (the wire is a maximum 25' long). Route the wire through the gas inlet hole (either side) to the junction box and attach following the directions below. Set the on/off switch on the appliance to "OFF" to control the appliance with the wall switch.

a Insert the wire through the back of the mounted junction box (your junction box may look different). Expose 1/2" of each wire. Secure the wires to the posts on the side of the on/off switch (orientation does not matter).



b Carefully pack the wires into the junction box. Attach the switch to the junction box. Attach the switchplate to the switch.



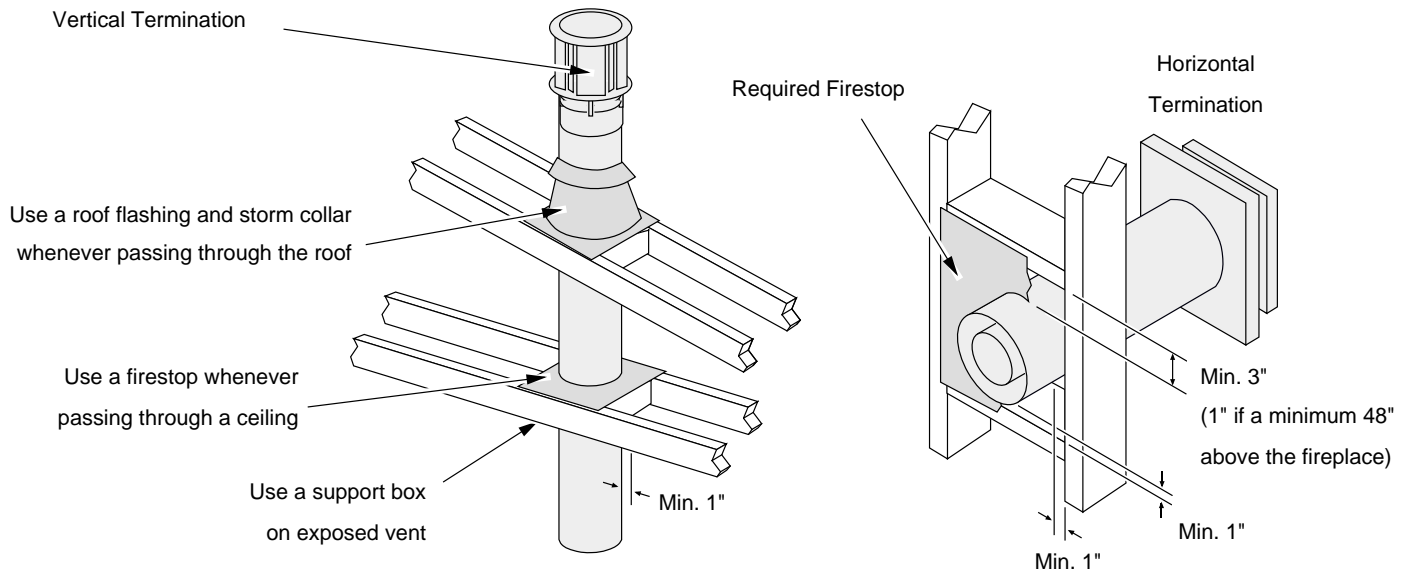
Vent Requirements

- The gas appliance and vent system must be vented directly to the outside of the building, and never be attached to a chimney serving a separate solid fuel or gas-burning appliance. Each direct vent gas appliance must use its own separate vent system.
- In addition to the requirements listed here, follow the requirements provided with the vent.
- A firestop is required whenever the vent penetrates a wall, floor, or ceiling (passes through framing members). Horizontal vent less than 48" above the fireplace must use the Travis Firestop (sku 93006094 - it incorporates a 3" clearance above, 1" clearance below and to the sides of the vent). Other penetrations only require a 1" clearance and may use a standard firestop (make sure the required 1" clearance is met).
- Always use the high-wind termination (if available from the vent manufacturer).

Vent Clearances

- The vent must maintain the required clearance to combustibles to prevent a fire. Do not fill air spaces with insulation.

	Before 48" Rise	After 48" Rise
Sides	1"	1"
Above	3"	1"
Below Horizontal or 45° Section	1"	1"



Altitude Considerations

- This heater has been tested at altitudes ranging from sea level to 6,000 feet. In this testing we have found that the heater, with its standard orifice, burns correctly with just an air shutter adjustment.
- Failure to adjust the air shutter properly may lead to improper combustion which can create a safety hazard. Consult your dealer or installer if you suspect an improperly adjusted air shutter.

Approved Vent

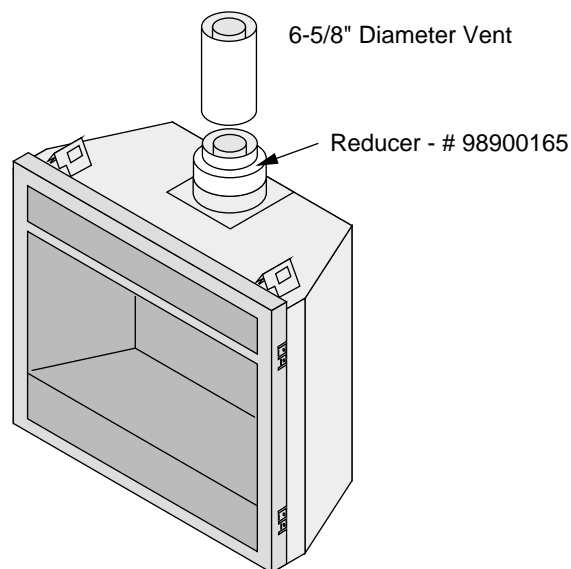
Rear Vent Configuration

Manufacturer	Ext. Dia.	Series
Simpson Dura-Vent	8"	Model GS
Metal-Fab Inc.	8"	Direct-Vent with 5DHT or 5DVT Cap

Top Vent Configuration

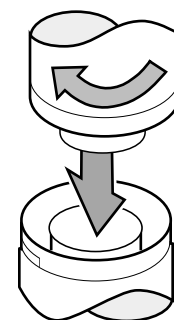
Manufacturer	Ext. Dia.	Series
Simpson Dura-Vent	8" or 6-5/8" *	Model GS*
Metal-Fab Inc.	8"	Direct-Vent with 5DHT or 5DVT Cap

* Top vent configurations using Simpson GS vent may use 6-5/8" diameter Simpson GS vent. If using 6-5/8" diameter vent, attach the 8" to 6-5/8" reducer (Travis part # 98900165) to the fireplace (see the illustration below).



Vent Installation

- Slide the vent sections together and turn 1/4 turn until the sections lock in place.
- Screws are not required to secure the vent. However, three screws may be used to secure vent sections together if desired.
- High temperature sealant is recommended at the appliance starter section connection (use high-temperature silicone or Mill-Pac®).
- If disassembly is required, at time of re-assembly check to see if the vent creates a tight fit. If it does not, apply high temperature sealant to the joints of the affected sections.
- Horizontal sections require a 1/4" rise every 12" of travel
- Horizontal sections require non-combustible support every three feet (e.g.: plumbing tape)



Approved Vent Configurations

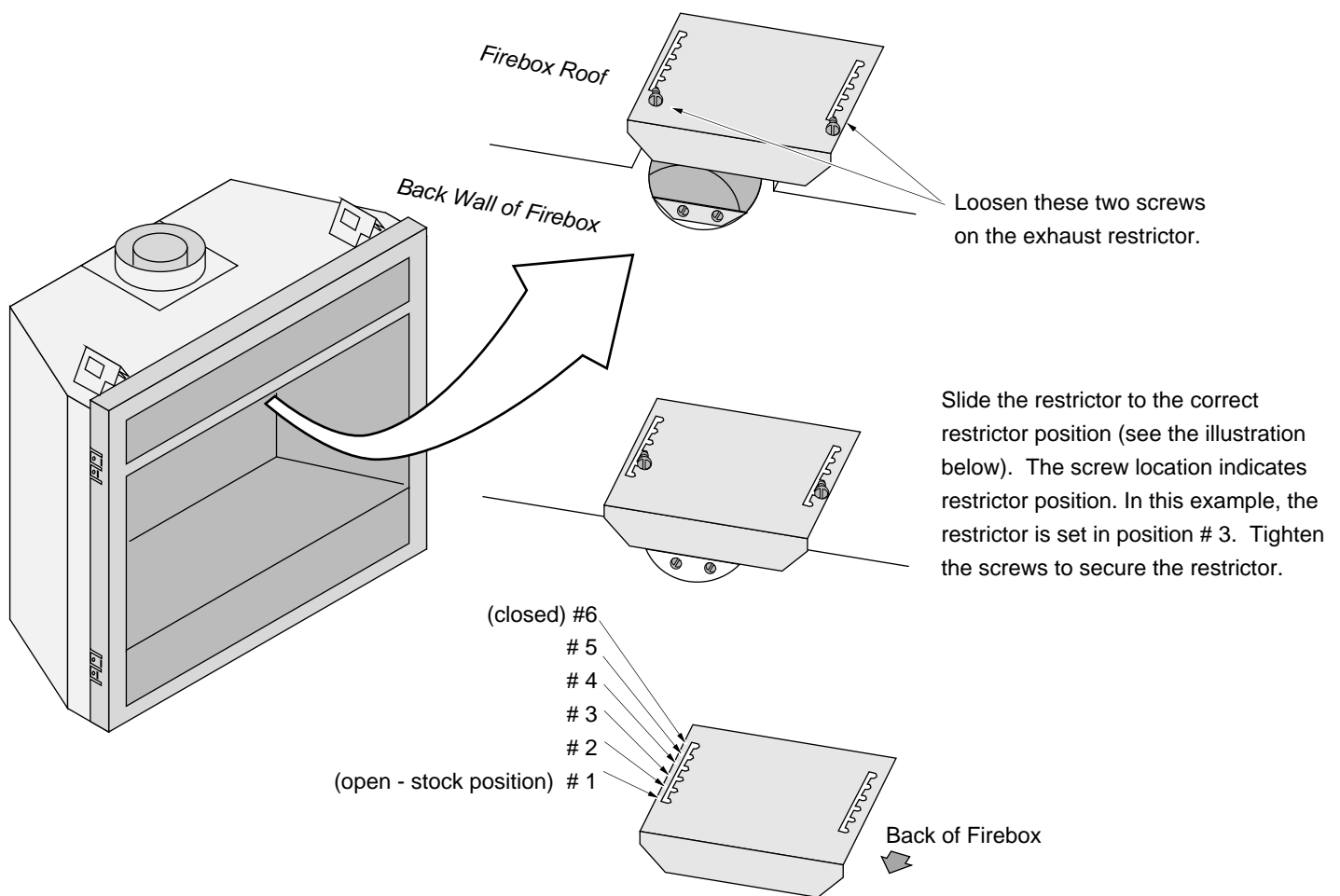
Restrictor Position

- Intake and exhaust restrictors are built into the appliance to adjust the flow rate of intake air and exhaust gases. Depending upon the vent configuration, you may be required to adjust the restrictor positions. The charts for acceptable vent configurations detail the correct vent restrictor positions.

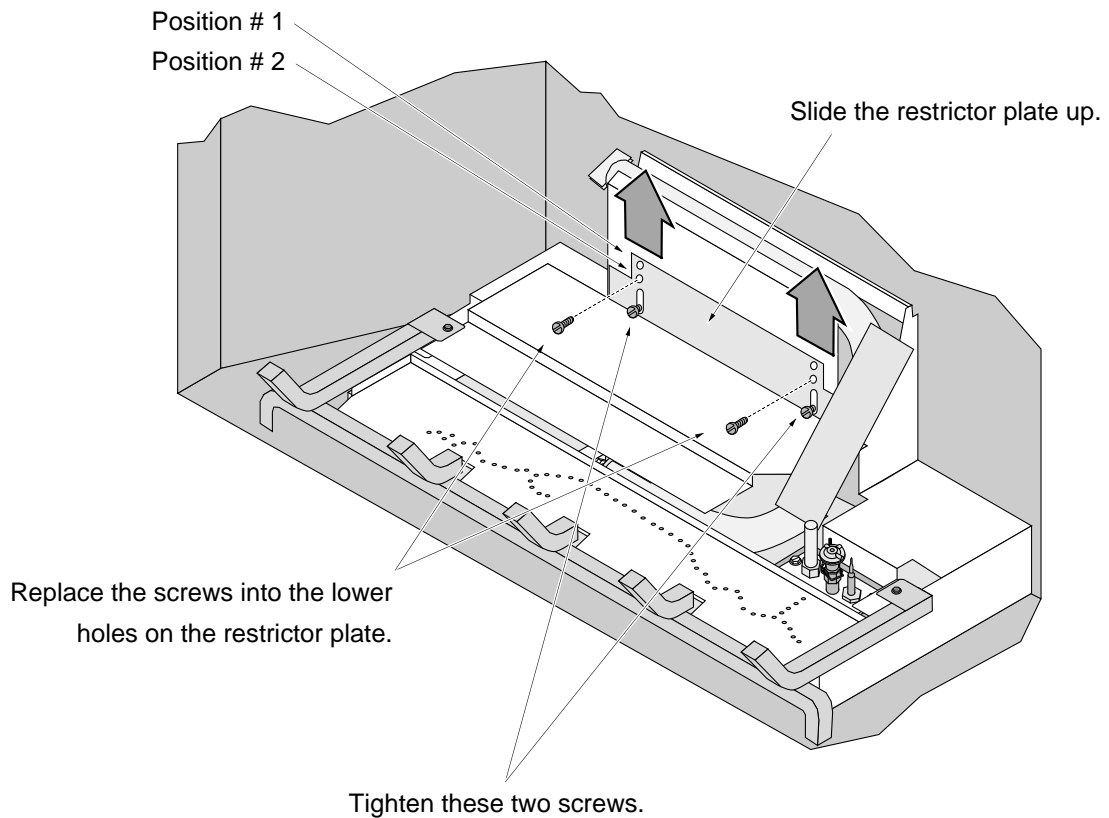
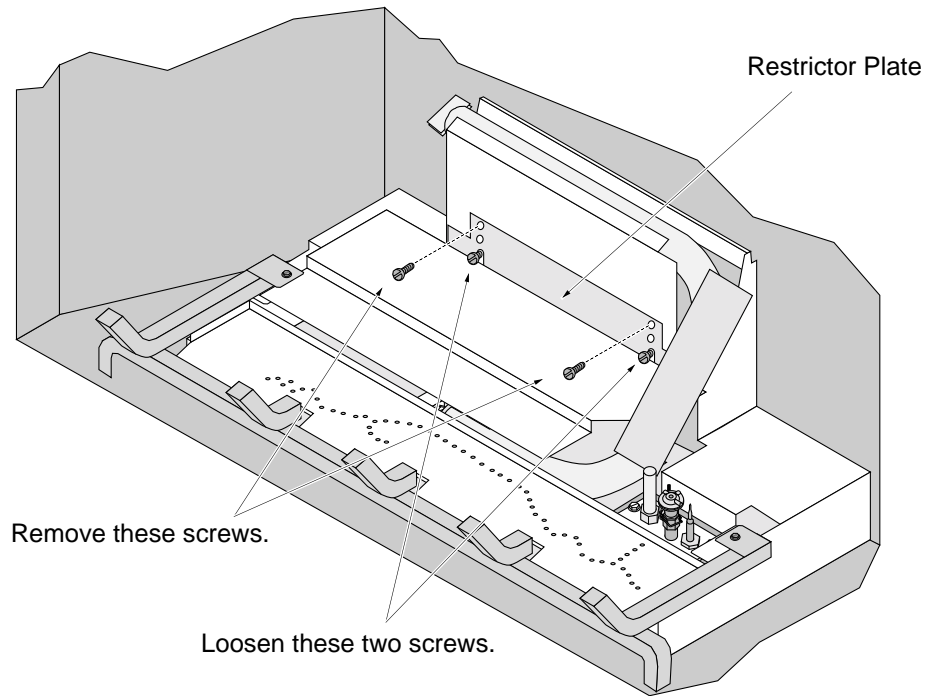
Exhaust Restrictor Adjustment



If the diffuser is required to be in position # 2, you may wish to adjust the diffuser while the exhaust restrictor is removed.

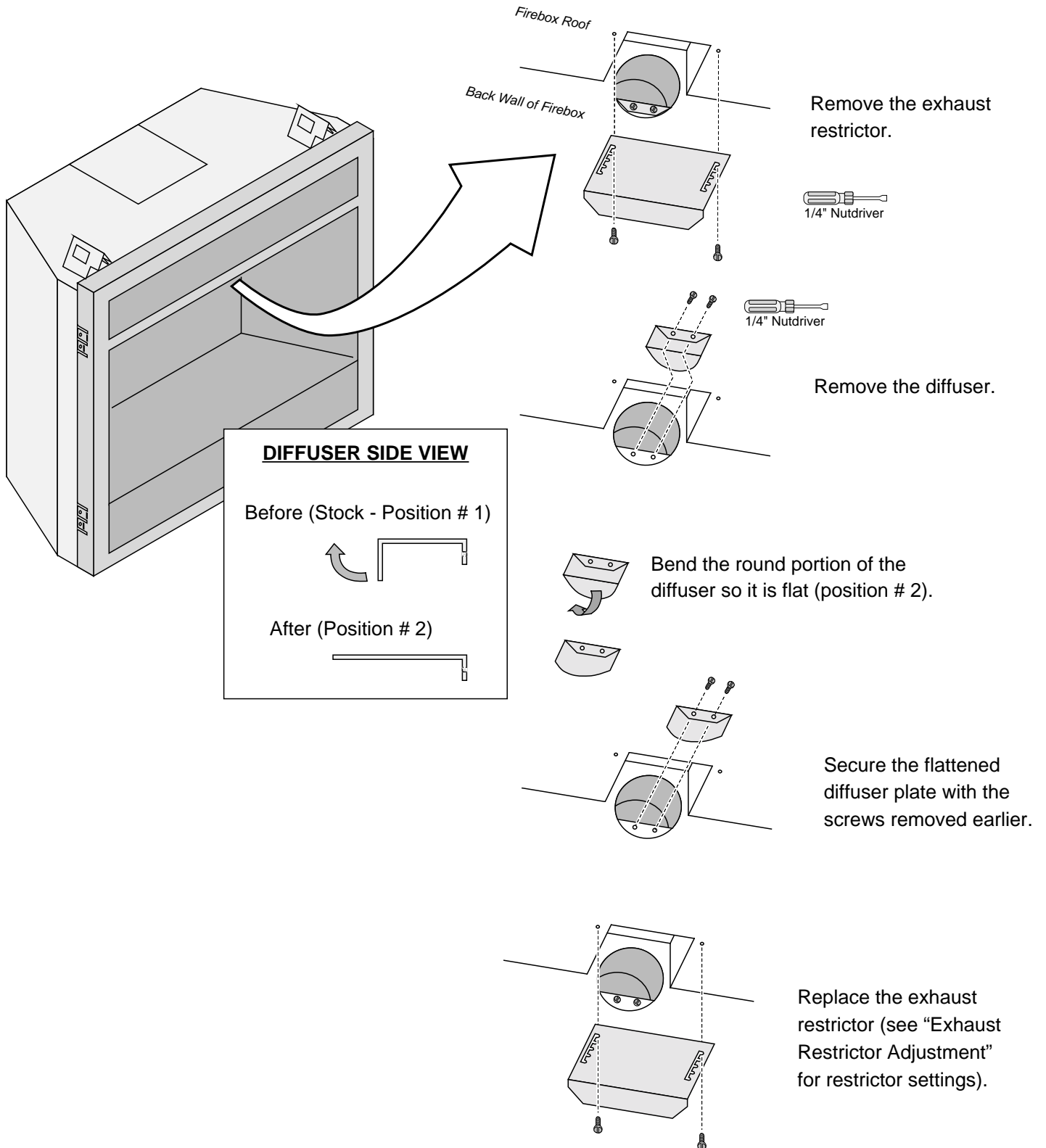


Intake Restrictor Adjustment



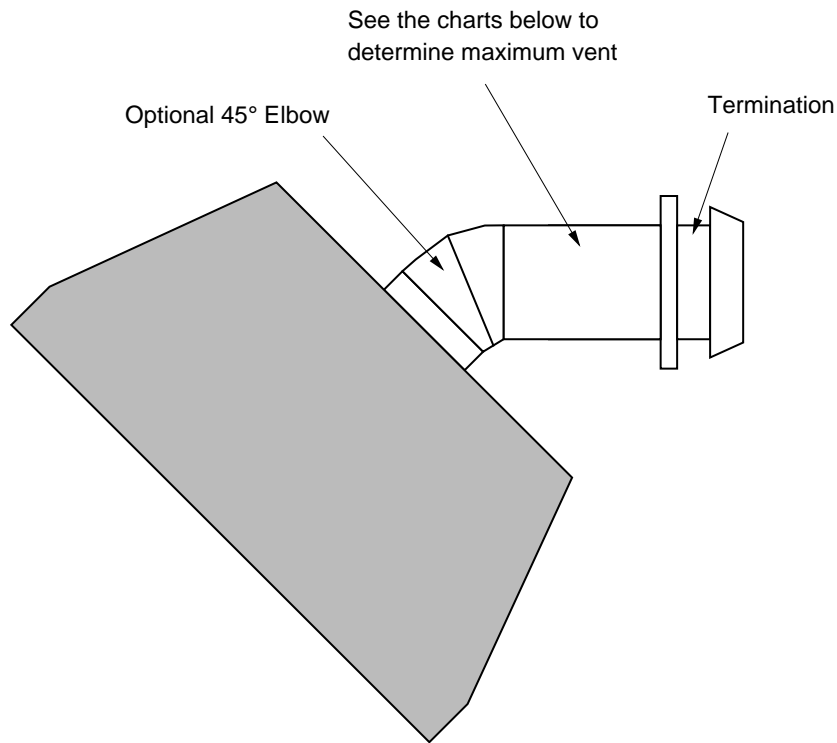
Diffuser Plate Adjustment

Certain vent configurations require the diffuser plate to be adjusted (refer to the approved vent configuration charts for details). Position # 1 is stock (bent). Position # 2 is flattened. See the directions below to change the diffuser to position #2.

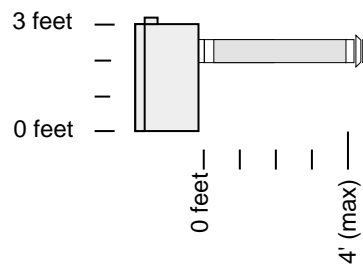


Rear Vent Configuration with Horizontal Termination (no vertical rise)

- The termination must fall within the shaded area shown in the chart. Use the indicated restrictor and diffuser positions.



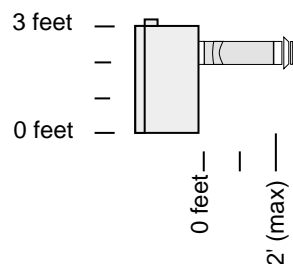
Vent with No 45° Elbow



- Exhaust Restrictor # 1 (stock)
- Intake Restrictor # 1 (stock)
- Diffuser Position # 1 (stock)

- Min. 4" Horizontal Section
- Max. 48" Horizontal Section(s)

Vent with 1 45° Elbow

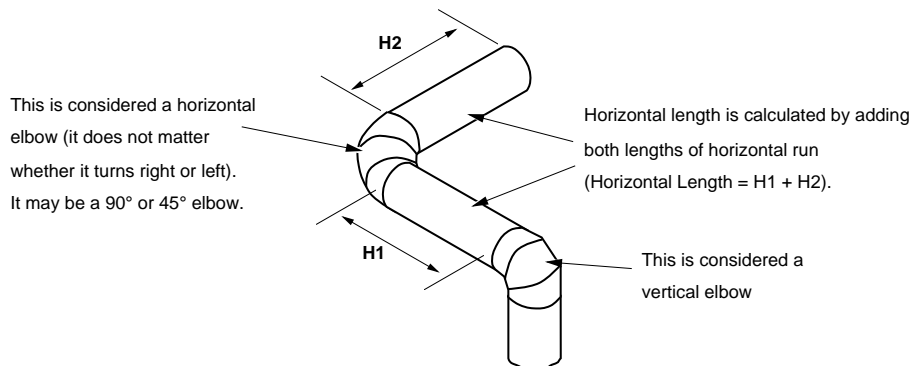
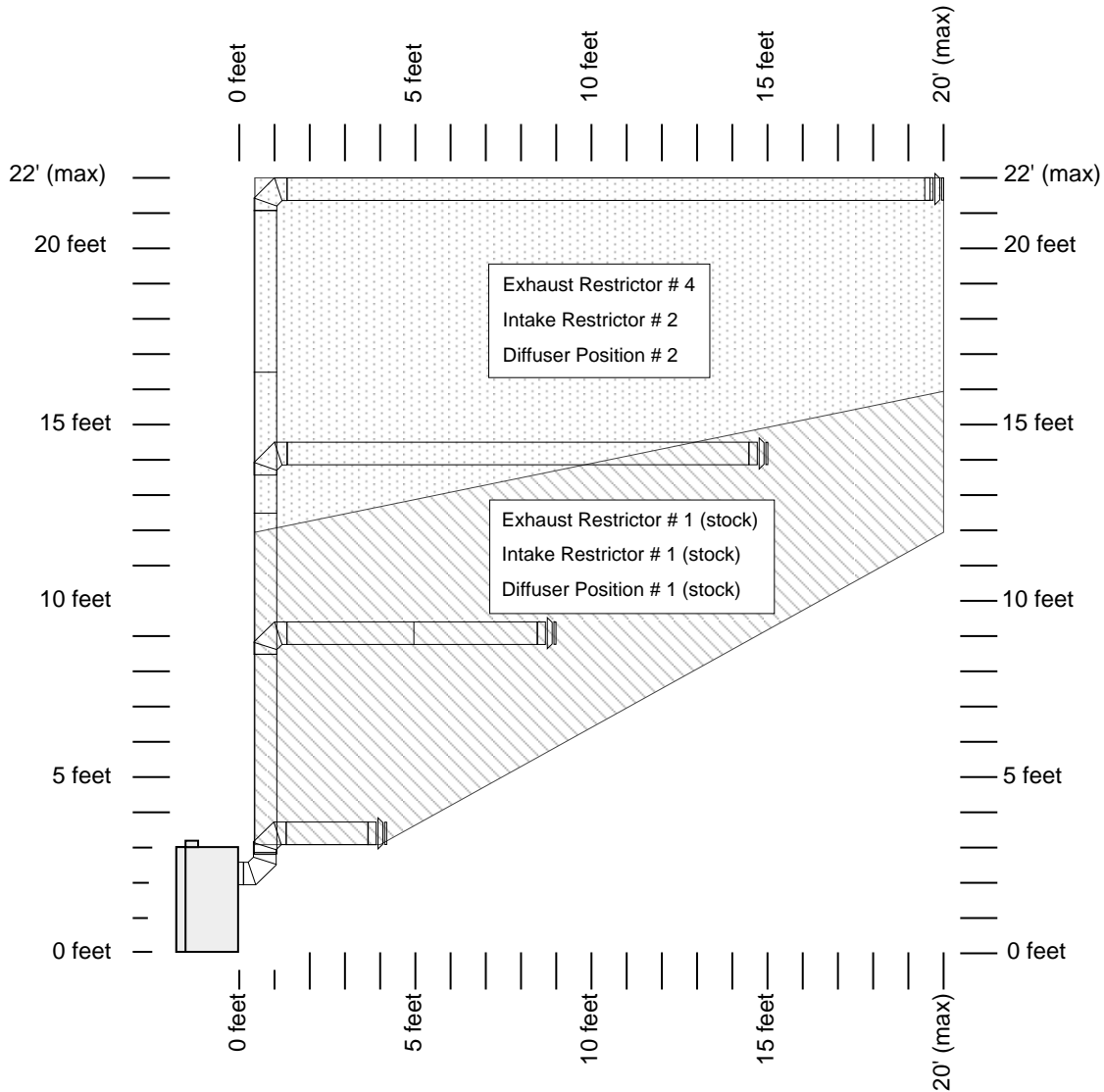


- Exhaust Restrictor # 1 (stock)
- Intake Restrictor # 1 (stock)
- Diffuser Position # 1 (stock)

- Min. 4" Horizontal Section
- Max. 24" Horizontal Section(s)

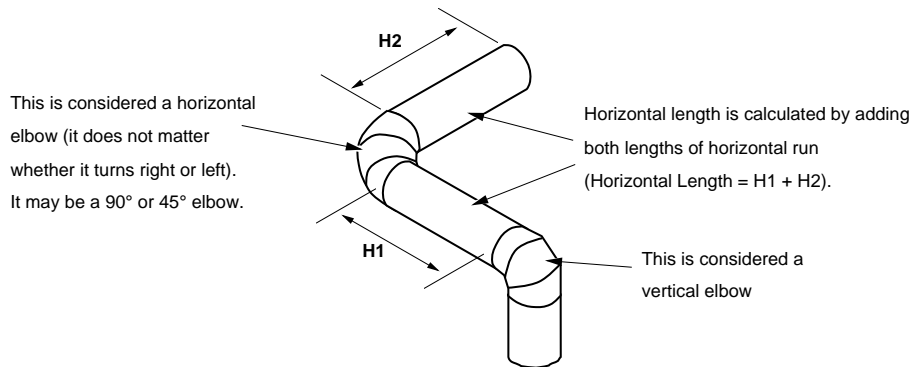
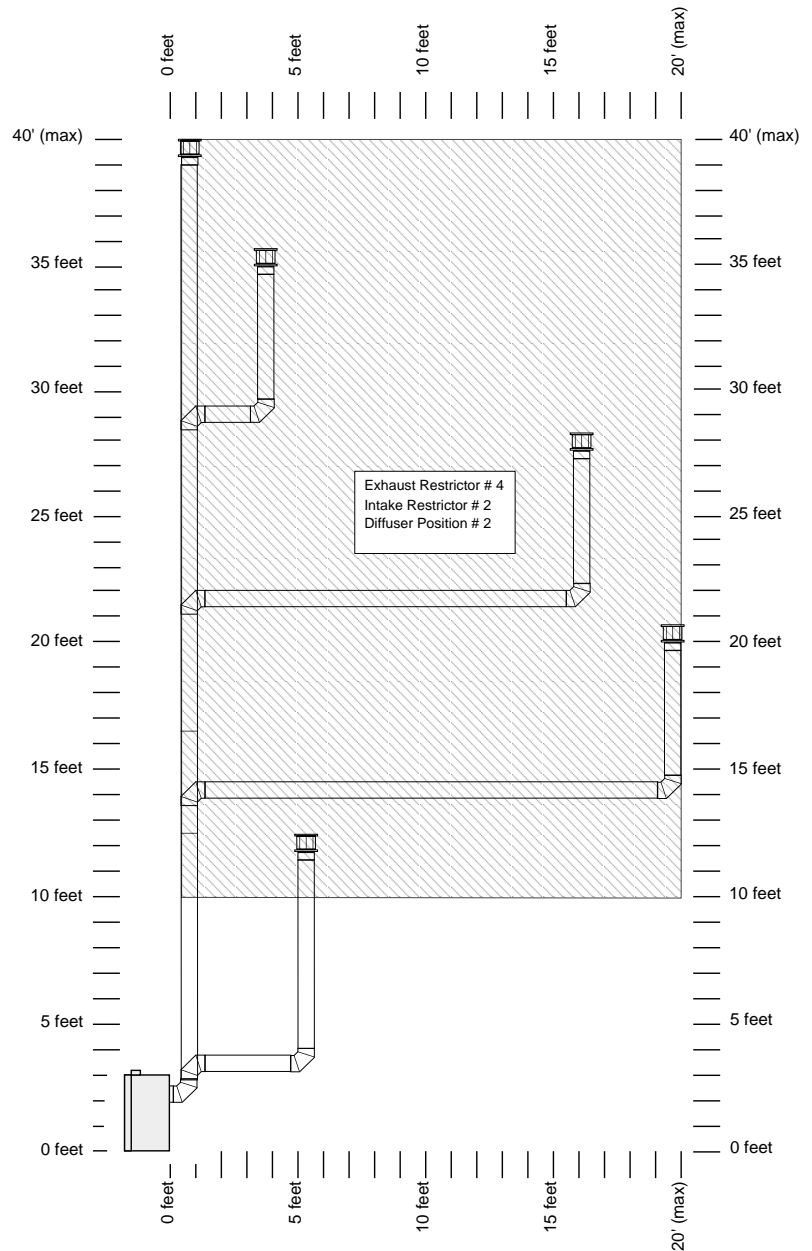
Rear Vent Configuration with Horizontal Termination (with vertical rise)

- The termination must fall within the shaded area shown in the chart. Use the indicated restrictor and diffuser positions.
- Up to four elbows (45° or 90°) may be used.
- Only one horizontal elbow may be used.



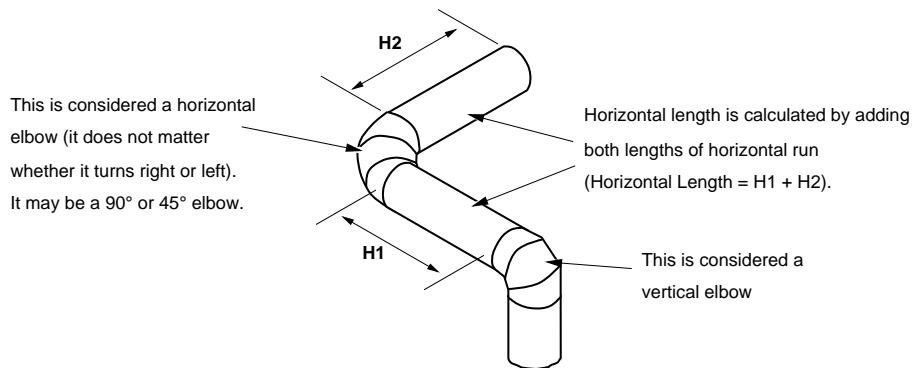
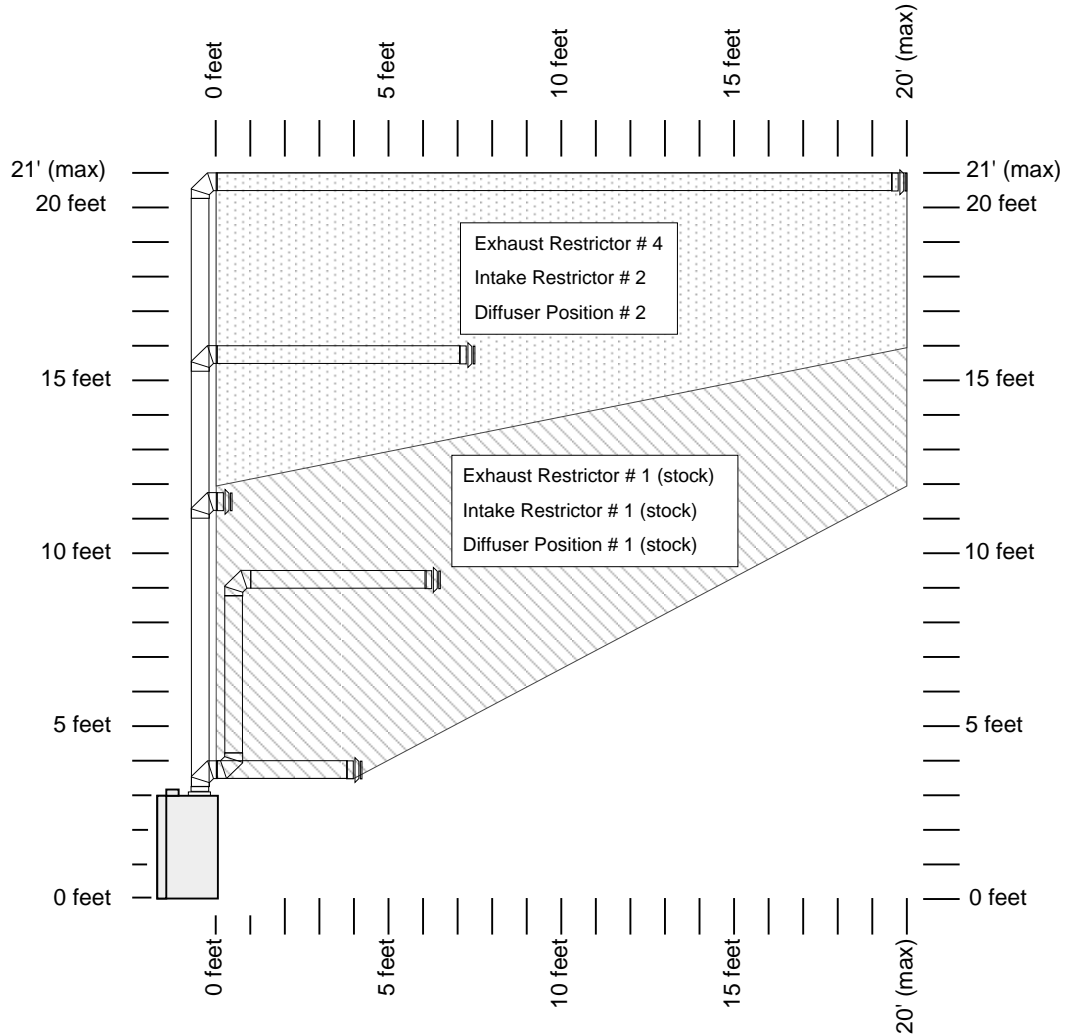
Rear Vent Configuration with Vertical Termination

- The termination must fall within the shaded area shown in the chart. Use the indicated restrictor and diffuser positions.
- Up to four elbows (45° or 90°) may be used.
- Only one horizontal elbow may be used.



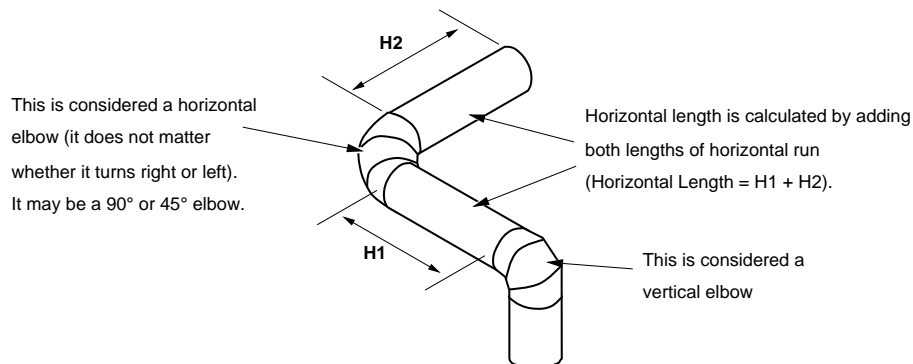
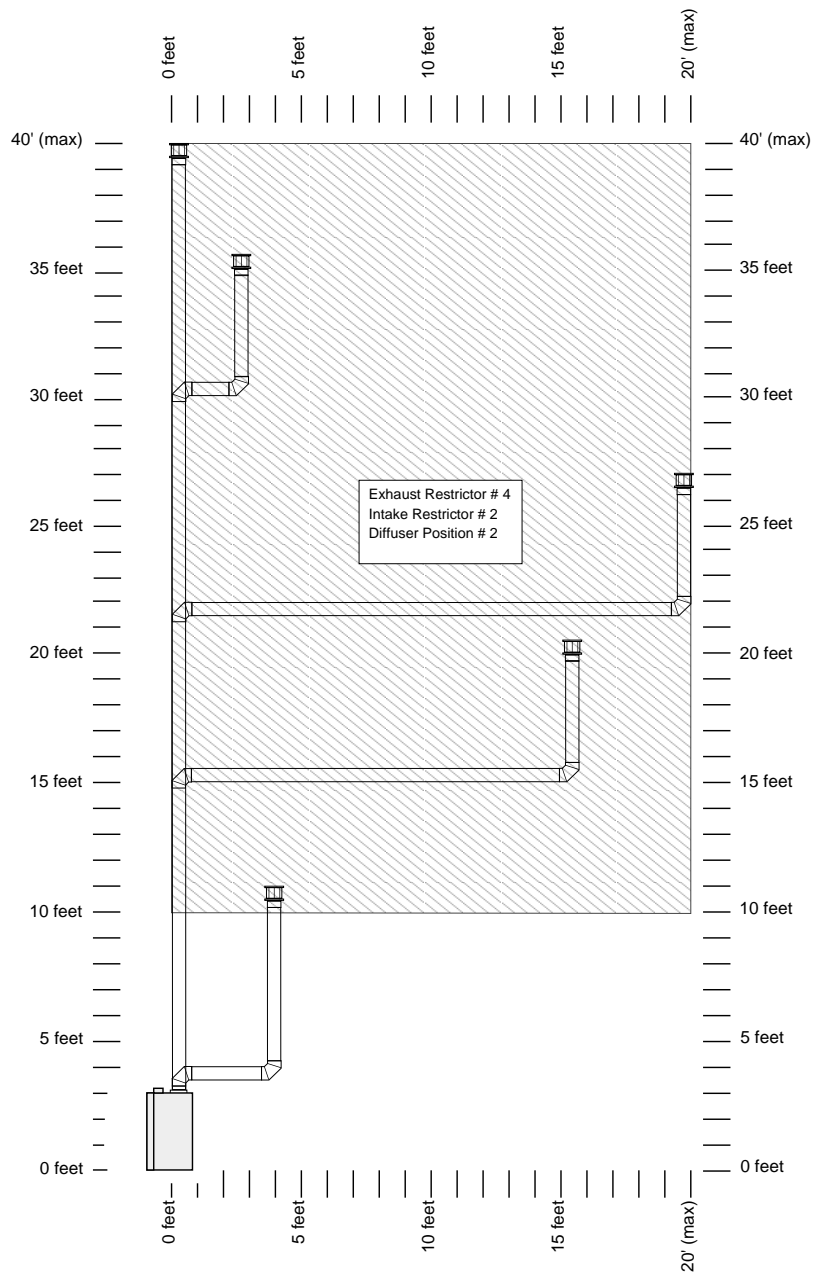
Top Vent Configuration with Horizontal Termination

- The termination must fall within the shaded area shown in the chart. Use the indicated restrictor and diffuser positions.
- Up to four elbows (45° or 90°) may be used.
- May use 8" or 6-5/8" diameter vent (see page for 20 details).
- Only one horizontal elbow may be used.



Top Vent Configuration with Vertical Termination

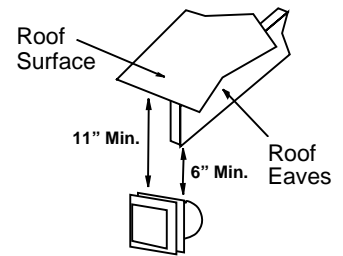
- The termination must fall within the shaded area shown in the chart. Use the indicated restrictor and diffuser positions.
- Up to four elbows (45° or 90°) may be used.
- Only one horizontal elbow may be used.
- May use 8" or 6-5/8" diameter vent (see page for 20 details).



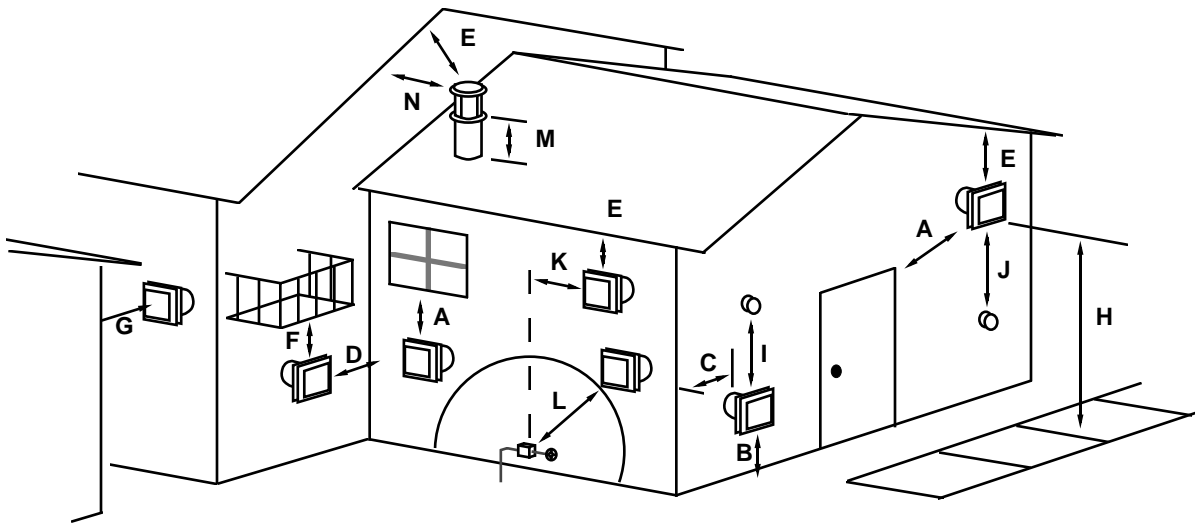
Termination Requirements

NOTE: Measure all clearances from the nearest edge of the exhaust hood.

- A Minimum 9" clearance from any door or window
- B Minimum 12" above any grade, veranda, porch, deck or balcony
- C Minimum 3-3/8" from outside corner walls
- D Minimum 0" from inside corner walls
- E Minimum 11" clearance below unventilated soffits or roof surfaces
Minimum 18" clearance below ventilated soffits
Minimum 6" clearance below roof eaves



- NOTE:** Vinyl surfaces require 24"
- F Minimum 18" clearance below a veranda, porch, deck or balcony (must have two open sides)
 - G Minimum 48" clearance from any adjacent building
 - H Minimum 84" clearance above any grade when adjacent to public walkways or driveways
NOTE: may not be used over a walkway or driveway shared by an adjacent building
 - I Minimum 48" clearance from any mechanical air supply inlet
 - J Minimum 36" clearance above and 48" below and to the sides of non-mechanical air supply inlet
 - K Minimum 36" from the area above the meter/regulator (vent outlet)
 - L Minimum 36" from the meter/regulator (vent outlet)
 - M Minimum 24" above the roof line (for vertical terminations)
 - N Minimum 24" horizontal clearance to any surface (such as an exterior wall) – for vertical terminations

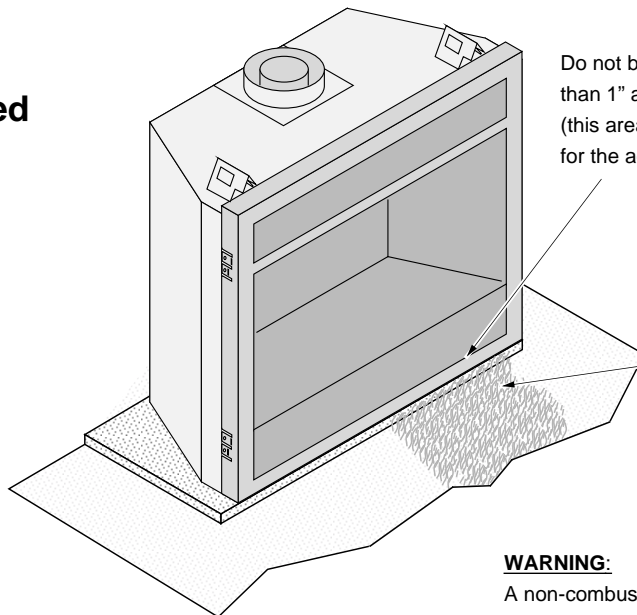


NOTE: Measure clearances to the nearest edge of the exhaust hood.

- Use the vinyl siding standoff (#950) when installing on an exterior with vinyl siding.
- Vent termination must not be located where it will become plugged by snow or other material.
- Venting termination shall not be recessed into a wall or siding.
- These clearances meet UMC-1994 code standards.
- These clearances meet UMC-1994 code standards.

Hearth Requirements

Floor Mounted Fireplaces



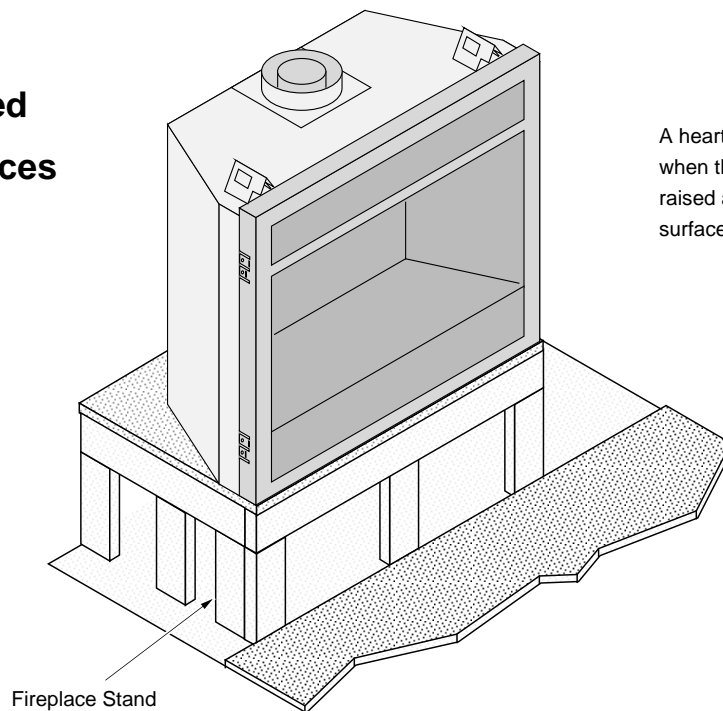
Do not build a hearth more than 1" above the baseplate (this area must remain clear for the access door).

If installed near carpet or other combustible flooring, the fireplace must be raised so the base of the unit is above the carpet surface or flooring material.

WARNING:

A non-combustible hearth is not required. However, if the heater is installed next to the floor, we recommend a hearth to protect the flooring surface from discoloration or other negative impact from the heater.

Raised Fireplaces



A hearth is not required when the fireplace is raised above the flooring surface.

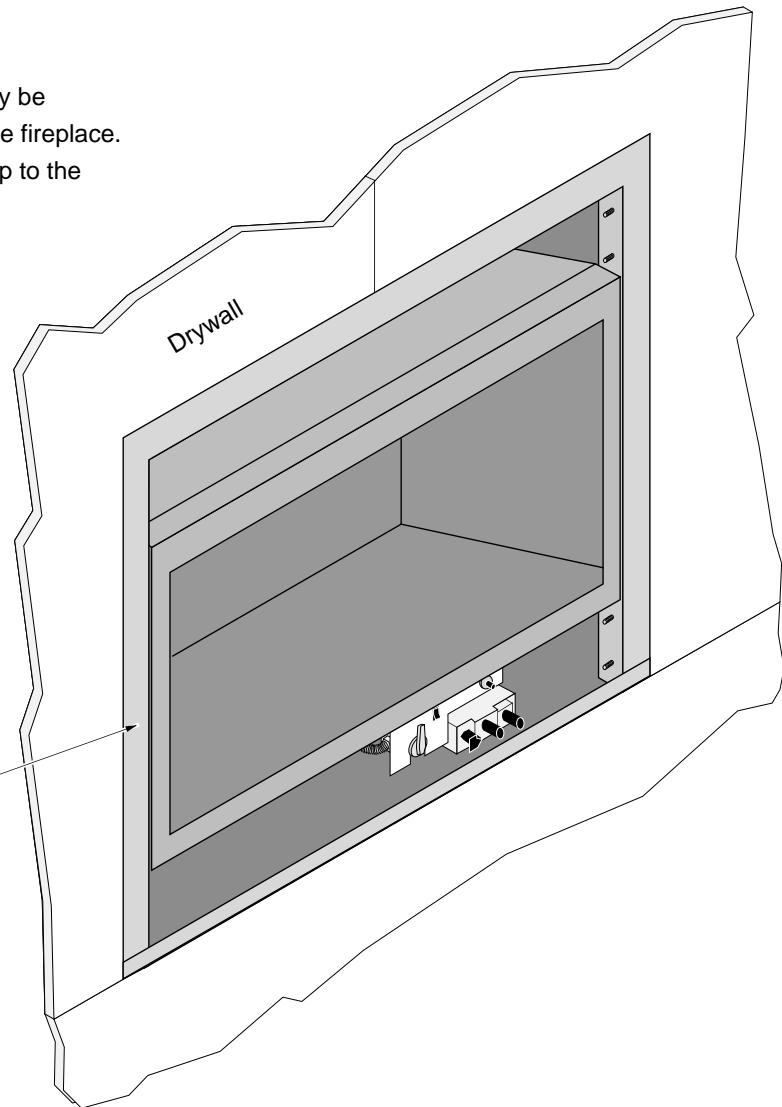
Facing Requirements

- This appliance is designed to allow for drywall (or other combustible facing) to contact the sides and top of the front of the fireplace.
- Tile or other non-combustible facing may be placed on the front of the fireplace (see "Facing Overview" on page 33 for further details).

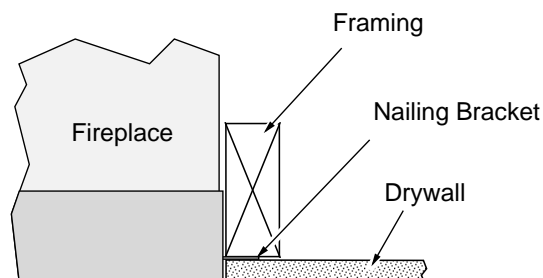
Drywall Installation

Drywall Installation Drywall may be installed up to the front edge of the fireplace. If the fireplace is raised, drywall up to the bottom edge as well.

Do not install drywall (or any other combustible) in front of the fireplace.



TOP VIEW



Facing Overview



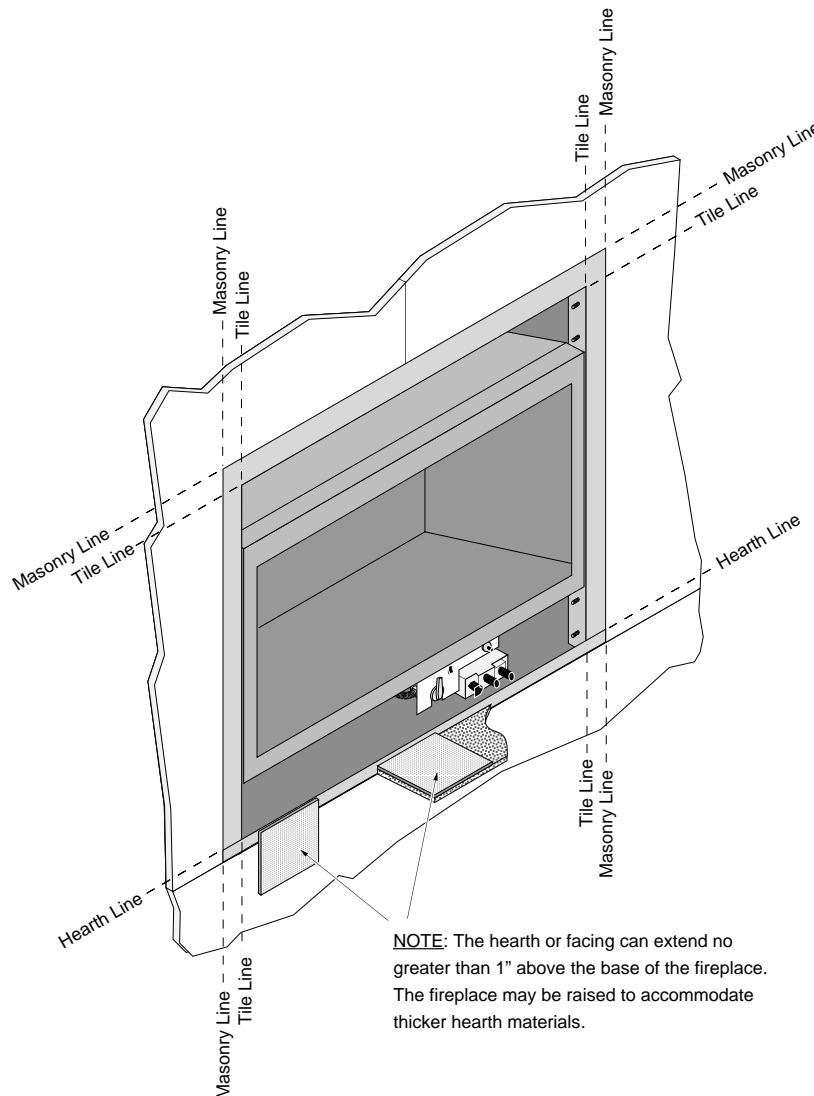
Upgrade faces are available for this fireplace and may influence facing installation. Consult with your Travis Dealer if you are using an upgrade face.

Optional non-combustible facing may be installed on the fireplace. Use the guidelines below to determine the location (also see the following pages for detailed diagrams).

Tile Line Any non-combustible facing under 1" thick (see "Thin Facing" on page 34).

Masonry Line Any non-combustible over 1" thick (see "Thick Facing" on page 36).

Hearth Line Non-combustible hearth/facing should be installed up to this location (1" above the base of the fireplace). The fireplace may be raised to accommodate thicker hearth materials.



NOTE: The hearth or facing can extend no greater than 1" above the base of the fireplace. The fireplace may be raised to accommodate thicker hearth materials.

Optional Faceplates – Sizing Chart

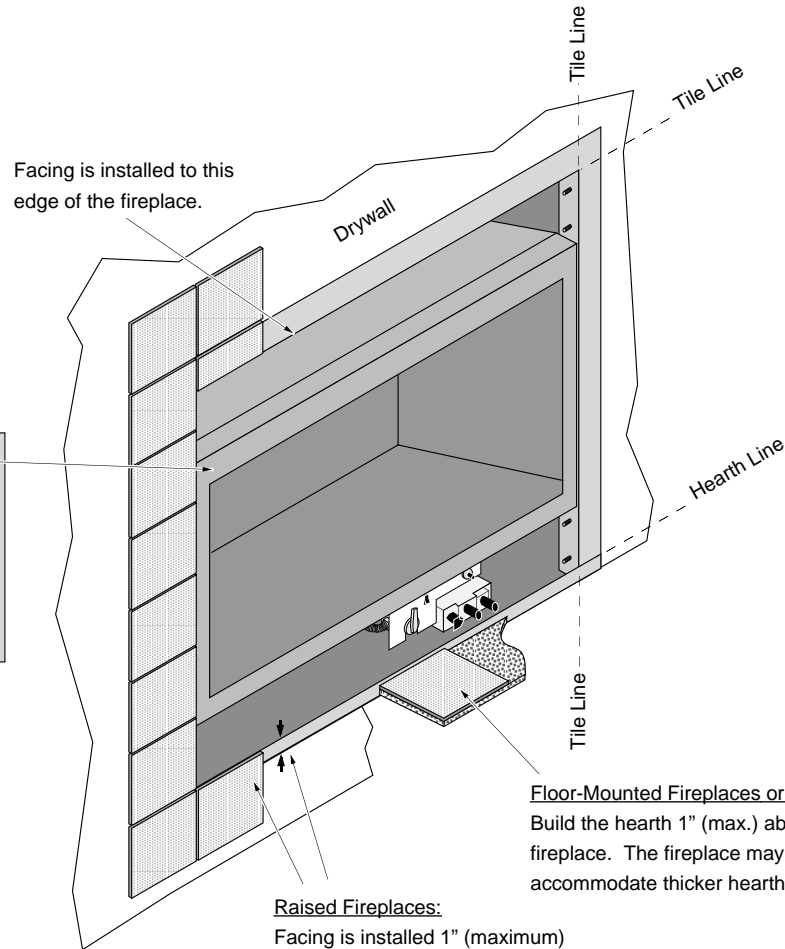
Name	Height	Width	Notes
FPX Artisan, Classic, Fr Ctry	35-3/4"	41"	45-3/4" Radius – May fit over top of tile facing
Winthrop Victorian Lace	34-1/8"	36-7/8"	Optional facing will butte to edge of faceplate (tile line)
Wilmington Hearthview	35-3/4"	41"	May fit over top of tile facing
Winthrop Bungalow	34"	36-7/8"	Optional facing will butte to edge of faceplate (tile line)

Thin Facing Installation (tile, marble, or other non-combustible under 1" thick)



Upgrade faces are available for this fireplace and may influence facing installation. Consult with your Travis Dealer if you are using an upgrade face.

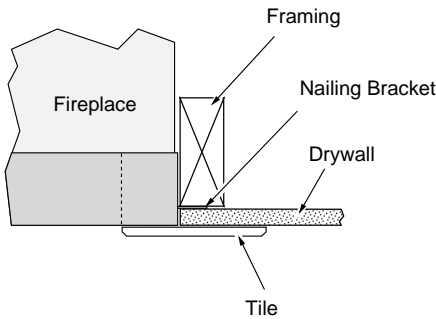
Do not install tile (or other material) in front of the glass frame, convection channel, or access panel openings. This area must remain open to access internal components and for convection air.



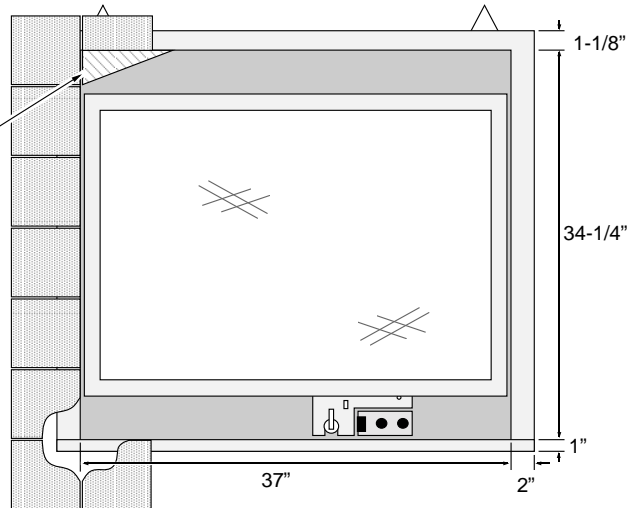
Floor-Mounted Fireplaces or Raised Hearths:
Build the hearth 1" (max.) above the base of the fireplace. The fireplace may be raised to accommodate thicker hearth materials.

Raised Fireplaces:
Facing is installed 1" (maximum) above the base of the fireplace.

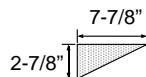
TOP VIEW



FRONT VIEW

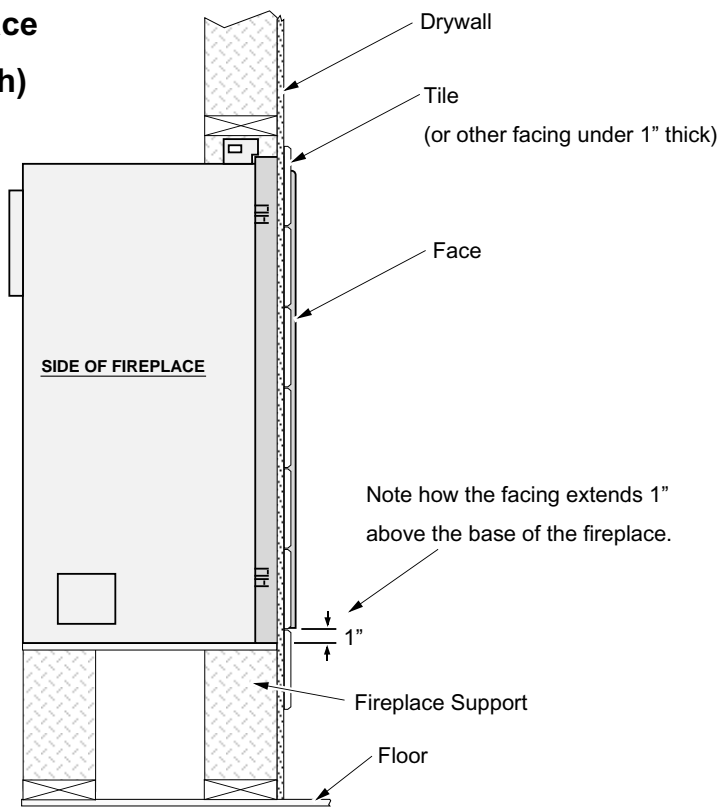


NOTE FOR FPX FACES:
FPX arched faces require the FPX Face Upgrade Kit (sku 98500686) and a triangular piece of facing in these upper corners. See the instructions included with the face for further details.

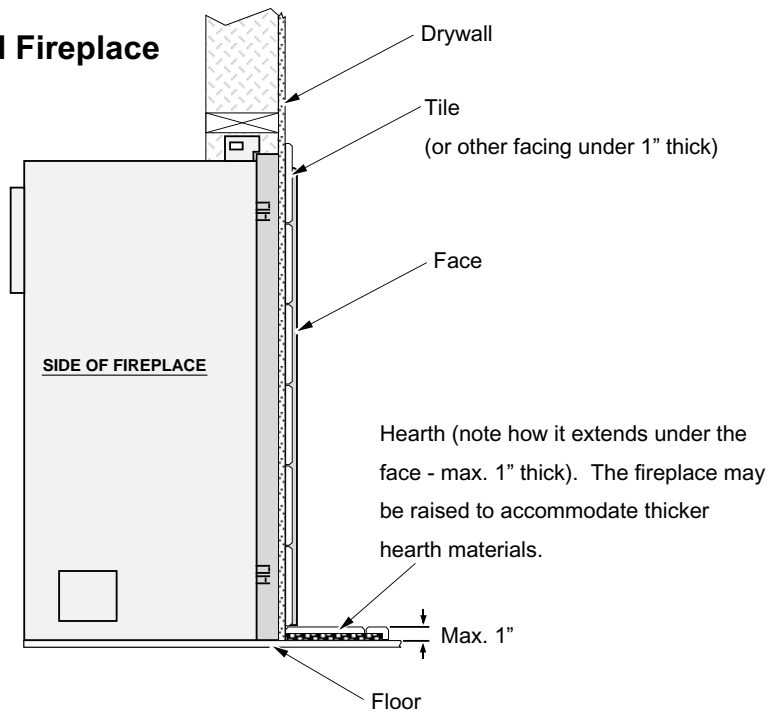


Thin Facing Installation (tile, marble, under 1" thick) - Side View

Raised Fireplace (with no Hearth)



Floor-Mounted Fireplace with Hearth

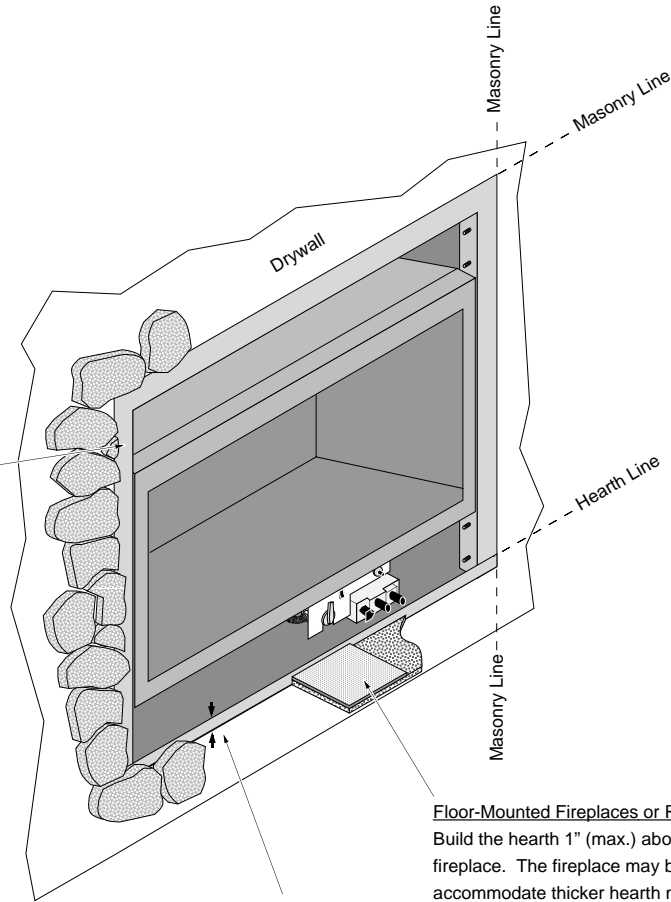


Thick Facing Installation (stone, brick, or other non-combustible over 1" thick)

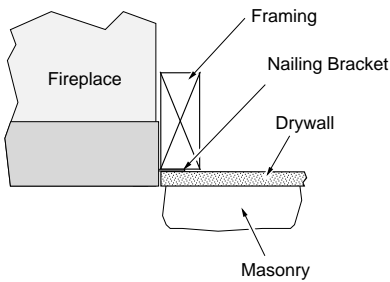


If using a Fireplace Xtordinaire (FPX) arched face, see "Thick Facing with a Fireplace Xtordinaire Arched Faces" on page 37.

Do not install masonry (or other material) in front of the fireplace. This area must remain open to install the face.



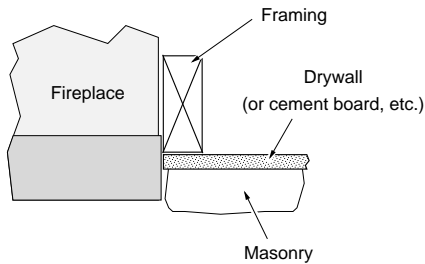
TOP VIEW - Protruding Masonry



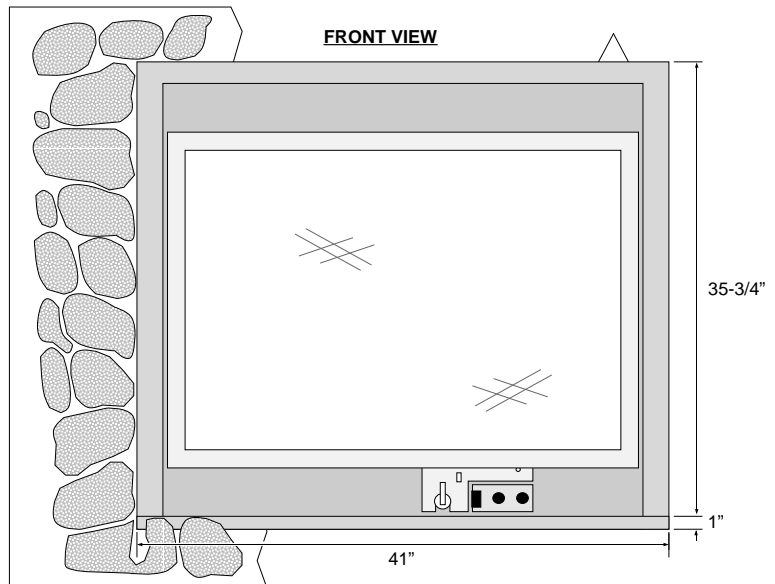
Floor-Mounted Fireplaces or Raised Hearths:
Build the hearth 1" (max.) above the base of the fireplace. The fireplace may be raised to accommodate thicker hearth materials.

Raised Fireplaces:
Masonry is installed 1" (maximum) above the base of the fireplace.

TOP VIEW - Recessed Masonry



NOTE: The nailing brackets are not used for this type of installation - secure the fireplace to the floor with the brackets along the base of the fireplace.

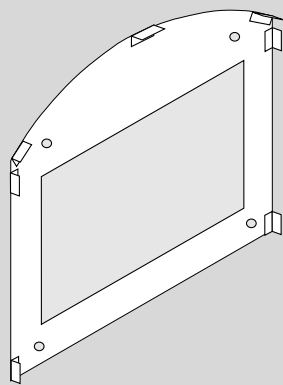


Thick Facing with Fireplace Xtrordinair (FPX) Arched Faces

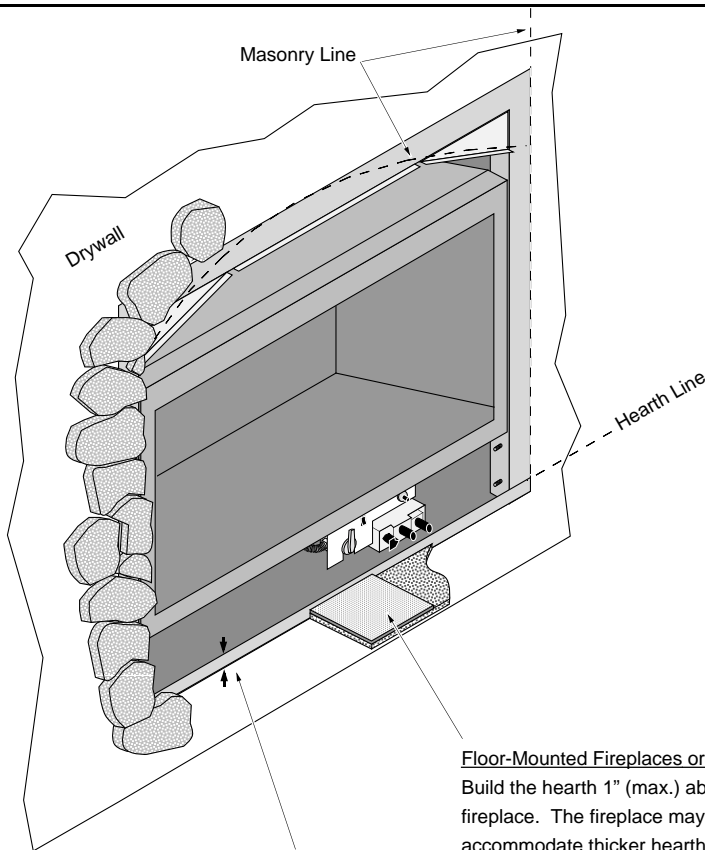
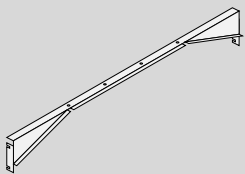


The following illustration shows facing considerations for those fireplaces utilizing FPX arched faces. The facing must be non-combustible and over 1" in depth.

The Fireplace Xtrordinair 864 Masonry Template is recommended for masonry installation (sku 98500688). The template helps locate and support the masonry as it being installed.



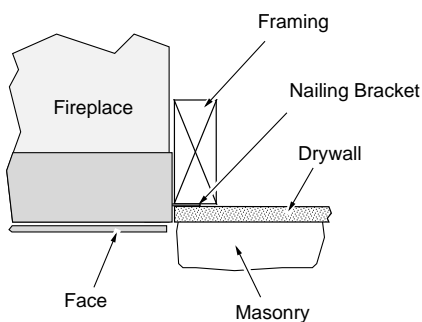
Before installing masonry, install the FPX Face Upgrade Kit (98500686). This covers the upper corners.



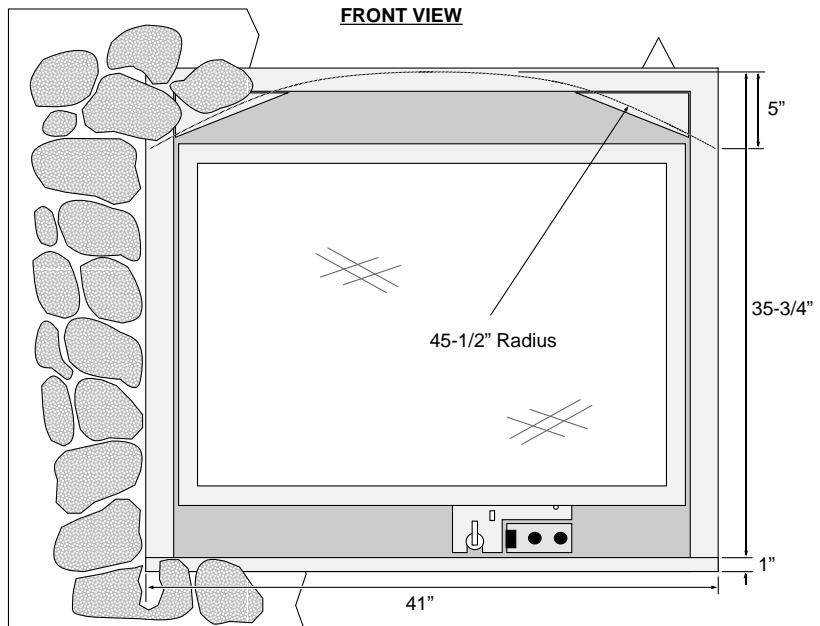
Floor-Mounted Fireplaces or Raised Hearths:
Build the hearth 1" (max.) above the base of the fireplace. The fireplace may be raised to accommodate thicker hearth materials.

Raised Fireplaces:
Masonry is installed 1" (maximum) above the base of the fireplace.

TOP VIEW

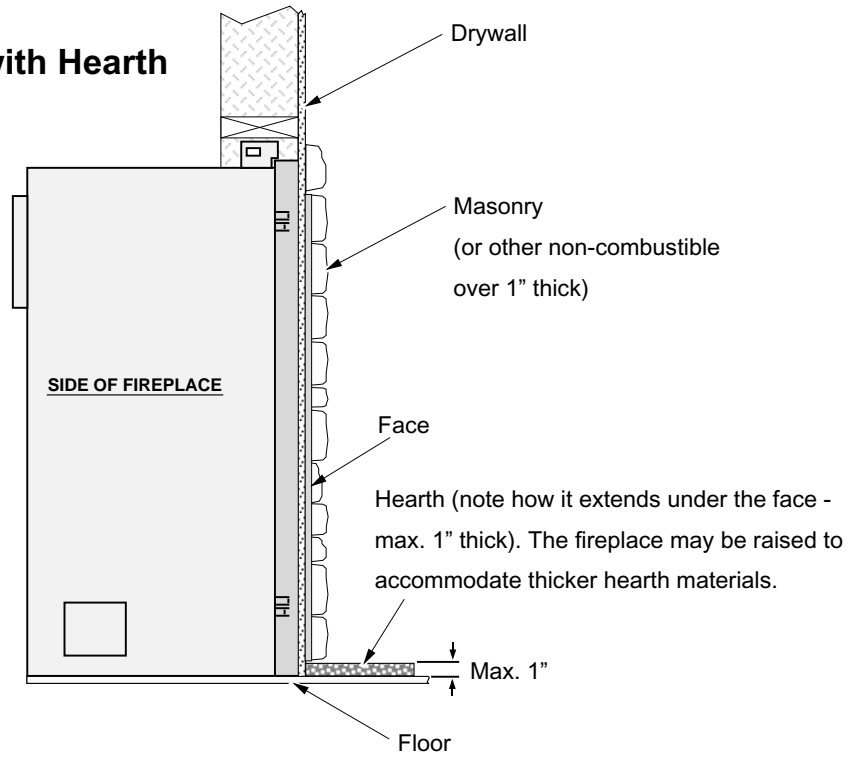


FRONT VIEW

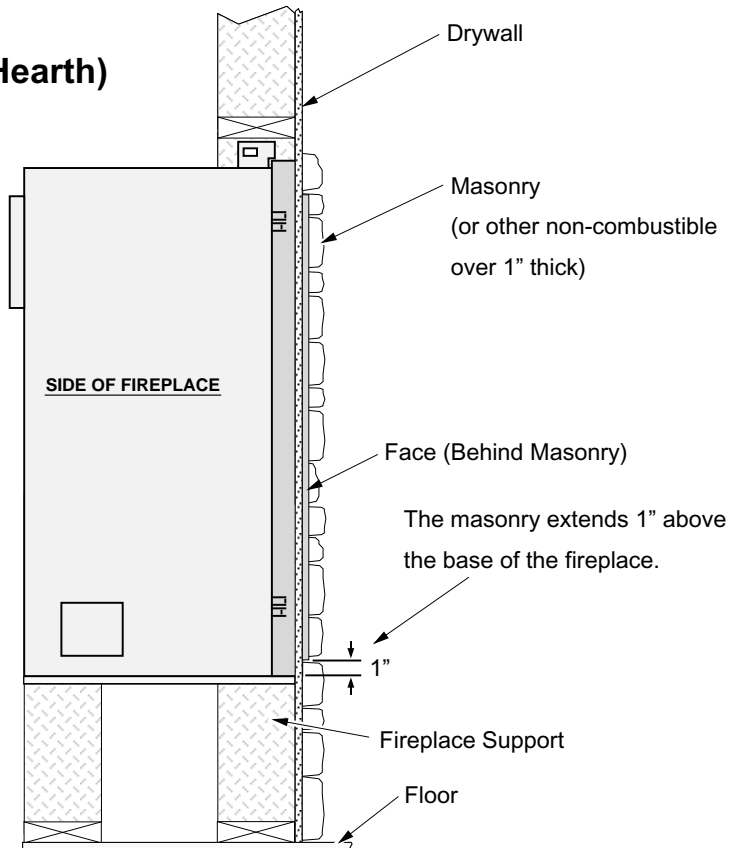


Thick Facing Installation - Side View

Floor-Mounted Fireplace with Hearth

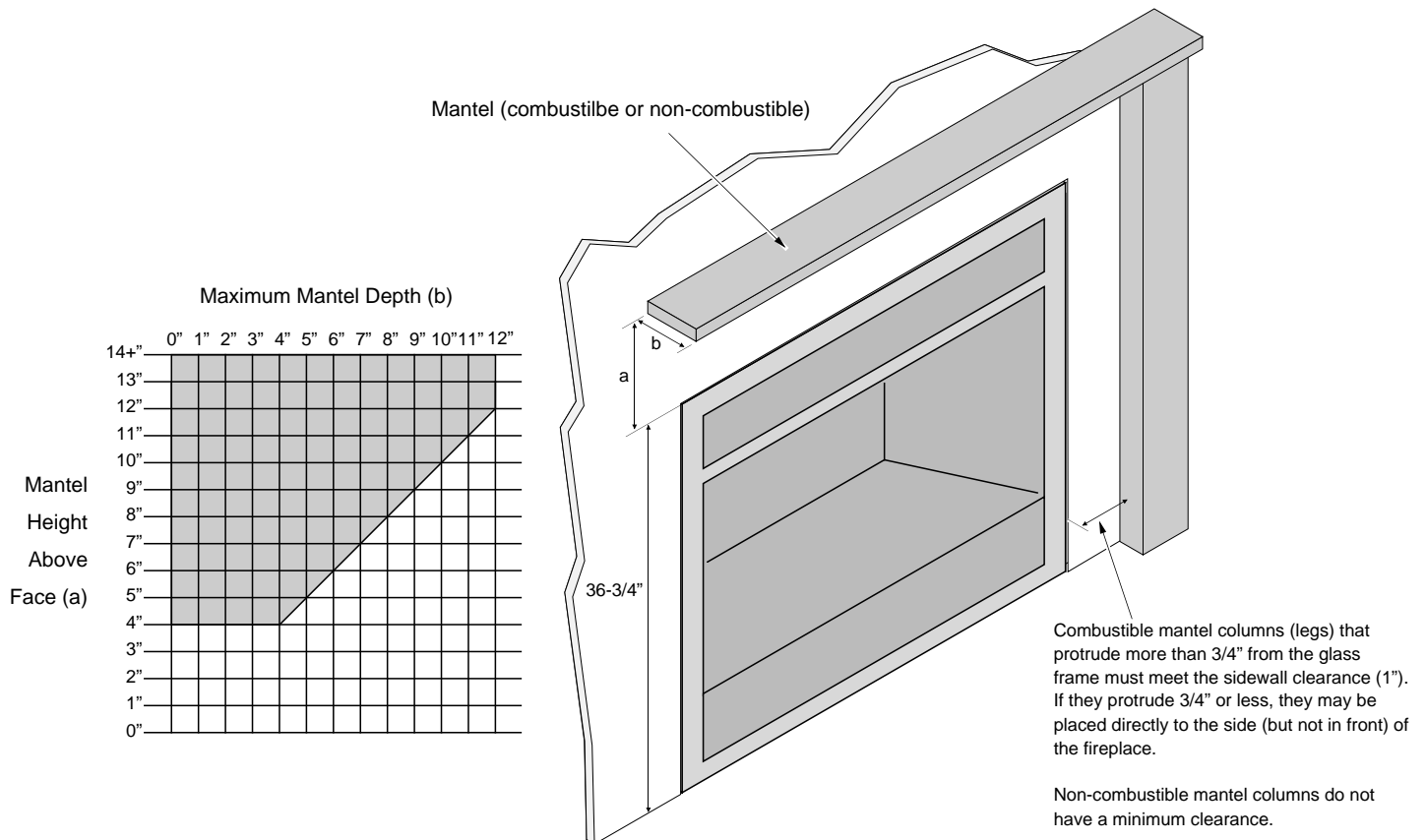


Raised Fireplace (with no Hearth)



Mantel Requirements

- Use the table below to determine the maximum mantel depth allowed. The mantel depth (measured from the face of the fireplace) must fall in the shaded portion of the table.
- Any facing material that protrudes more than 3/4" from the face of the fireplace is considered a mantel and must meet the mantel requirements.



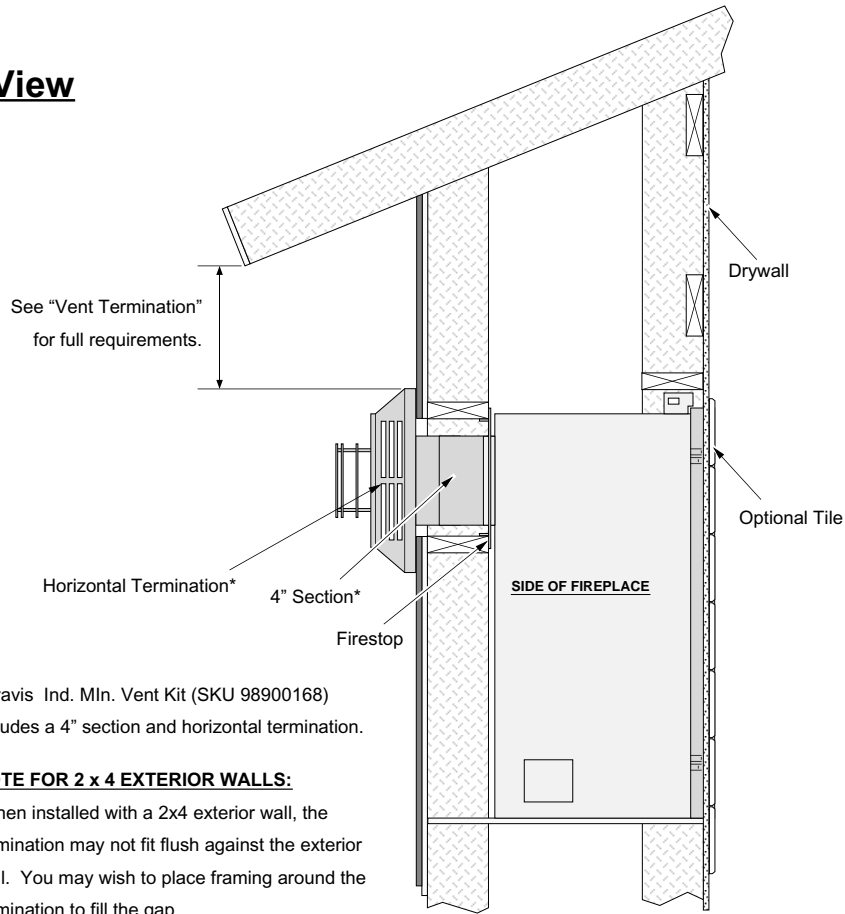
Examples: • If you wish to have an 8" deep mantel, it must be at least 8" above the fireplace face (44-3/4" above the base).

- If you wish to have a mantel 6" above the fireplace face, it must be no deeper than 6".

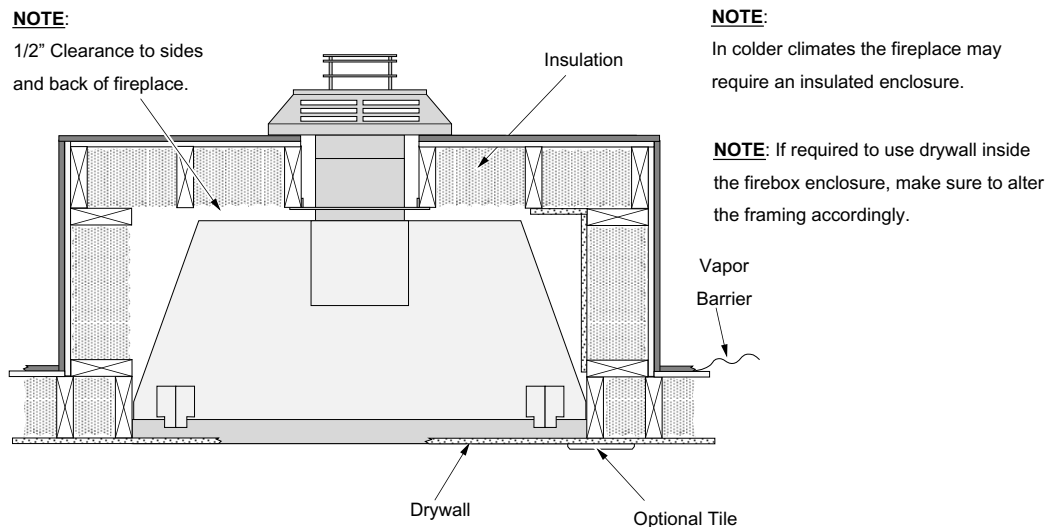
Installation Example - Build-Out (Dog-House) with Horizontal Termination

- The framing, facing, and other building materials depicted below are for example only. Refer to local building codes for framing, facing, and insulating requirements in your area.

Side View



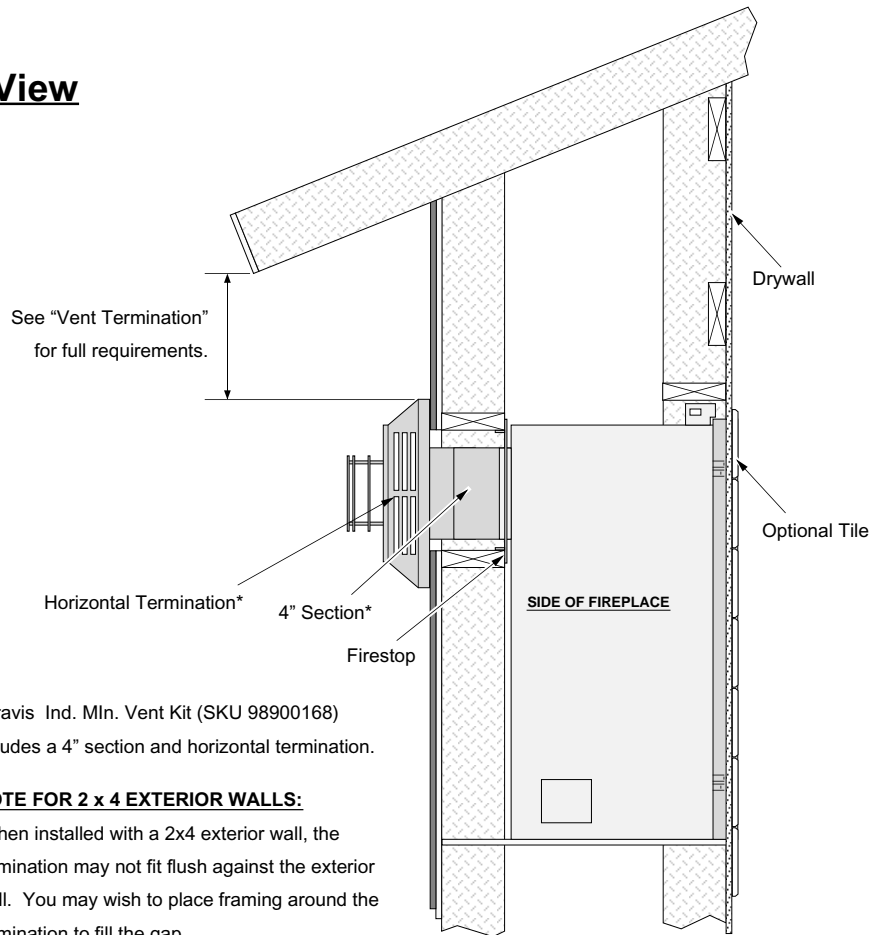
Top View



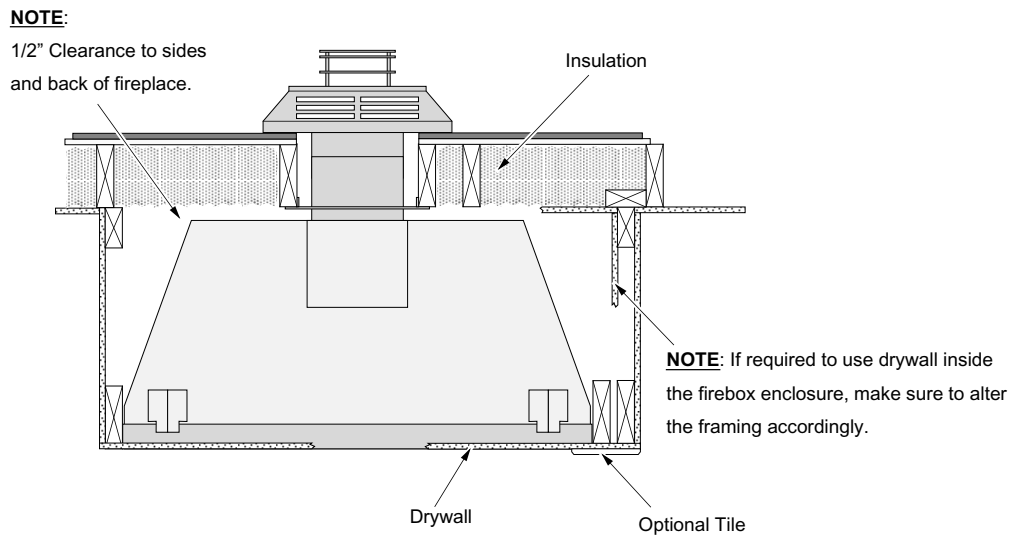
Installation Example - Build-In with Horizontal Termination

- The framing, facing, and other building materials depicted below are for example only. Refer to local building codes for framing, facing, and insulating requirements in your area.

Side View



Top View



42 Finalizing the Installation (for qualified installers only)

Steps for Finalizing the Installation

1. Remove the glass (see page 45).
NOTE: If using propane (LP) convert the appliance prior to installing the logs.
2. We recommend you purge the gas line at this time (with the glass removed). This allows gas to be detected once it enters the firebox, ensuring gas does not build up.
3. Install the logs (see page 47).
4. Turn on the gas to the fireplace. Turn on gas to the heater. Leak test all gas joints prior to starting the appliance. Start the pilot.

Starting the Pilot Flame

WARNING: When lighting or re-lighting the pilot, the glass must be removed (see page 42).

- a Remove the glass (see page 42 for details).
- b Push the gas control knob in slightly and turn it to the "OFF" position. The knob will not turn from "ON" to "OFF" unless the knob is depressed slightly. Wait five minutes to let any gas that may have accumulated inside the firebox escape. If you smell leaking gas, follow the directions on the cover "IF YOU SMELL GAS".
- c Turn the gas control knob to the "PILOT" position and press the knob in, this will allow gas to flow to the pilot light. Press the button on the pilot igniter repeatedly until you see the pilot light.

WARNING: If the pilot does not light after 15 seconds, release the knob and call your dealer for service. Do not attempt to light pilot until service has been performed.

NOTE:

You may wish to remove the log set to gain a better view of the pilot (see page 47).

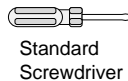
- d Keep the gas control knob depressed for 30 seconds once it is lit.
- e Release the gas control knob. If the pilot goes out, repeat step C. If the pilot refuses to stay lit, call your dealer for service. With the pilot lit, proceed to step "f".
- f Replace the glass.
- g Turn the gas control knob counter-clockwise to "ON". The pilot is now lit and the heater can be turned on and off.

5. Check the pilot flame following the directions below.

Pilot Flame Inspection

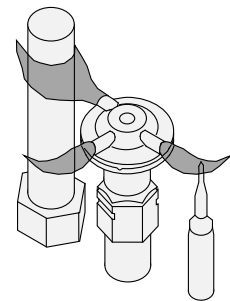
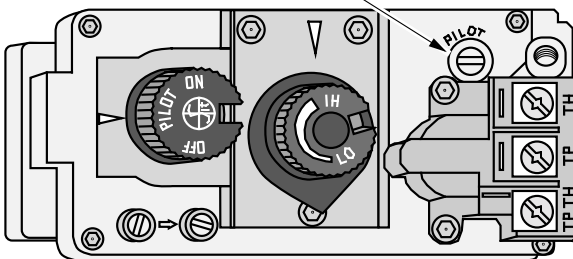
The pilot flame should look like the illustration below. Adjust the pilot flame if necessary.

To adjust the pilot flame, turn this screw. Clockwise lowers the flame while counter-clockwise raises it.



Standard
Screwdriver

The pilot flame must contact the thermocouple and thermopile (see the illustration below). Adjust the pilot up or down as necessary.

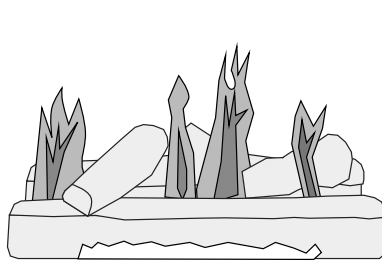


6. Replace the glass.
7. Start the main burner (the main burner circuit is detailed on page 19). Leak test all gas joints again.

8. Check the air shutter following the directions below.

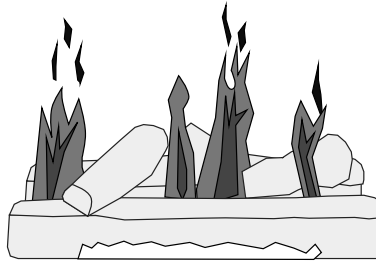
Air Shutter Adjustment

Let the heater burn for fifteen minutes (make sure the logs and glass are in place). The flames should be yellow with no sooting. Adjust the air shutter, if necessary, to achieve the correct looking flame.



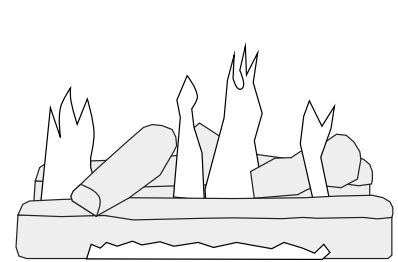
Correct

Flames should be blue at the base, yellow-orange on the top.



Not Enough Air

If the flames are over 14" tall or sooty on the ends, open the air shutter.

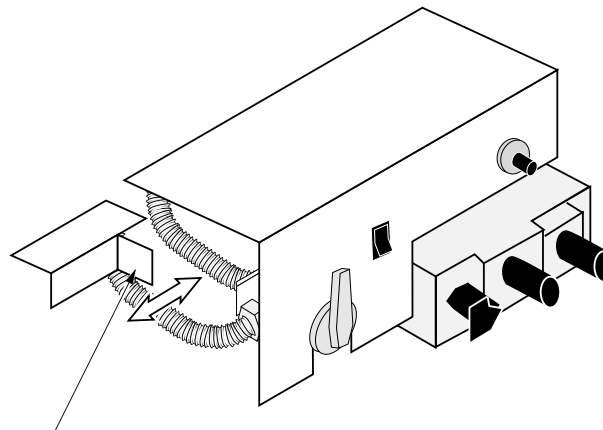


Too Much Air

If the flames are all blue and short, close the air shutter.

Front Air Shutter Adjustment

The front burner air shutter may be adjusted while the burner is on (take care to prevent contacting the burner area).



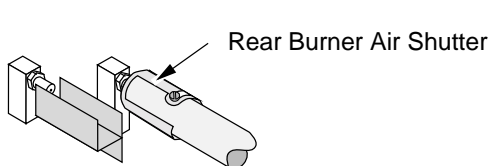
Front Burner Air Shutter Control

Left = Less Air

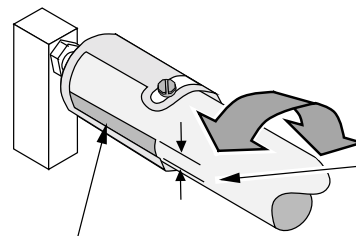
Right = More Air

Rear Burner Air Shutter Adjustment

The rear burner air shutter is accessed by removing the front burner and rear log shelf (see "LP Conversion Instructions" on page 52 for details). After adjusting the air shutter, replace the burner, logs, and glass and verify the flame quality.



Loosen the screw on the air shutter and rotate the air shutter.



This gap is the air shutter opening.

For LP Units:

Start with the rear air shutter set to a 3/16" opening.

44 Finalizing the Installation (for qualified installers only)

9. Turn the flame adjust knob to its highest position - the flames should not contact the top of the firebox. Check the flame on low position. The flames should burn off of each burner hole. If the heater does not work correctly, contact your Travis dealer for a remedy.
10. Give this manual to the home owner for future reference and fully explain operation of this heater. For comprehensive operating and maintenance instructions, refer to the Owner's Manual (part # 100-01168).

ACID WASH WARNING: Before installing the faceplate, make sure any masonry that has been treated with acid wash has been properly neutralized (this is used primarily with brick faces). Acid wash (muriatic acid) is used to remove excess mortar. If not properly neutralized with an ammonia solution, the plated face may develop a permanent tarnish when the acid evaporates over time. Contact your dealer if uncertain your facing has been properly neutralized.

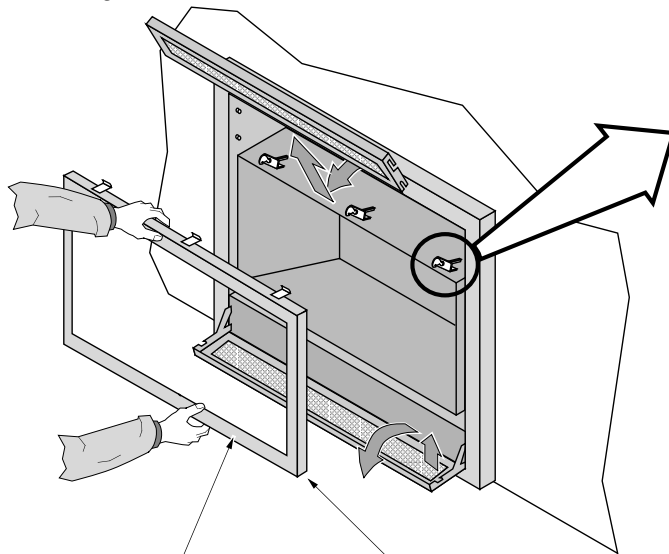
Glass Frame Removal and Installation

Warning: The appliance must be completely cool before removing the glass.

Warning: Do not strike or slam the glass.

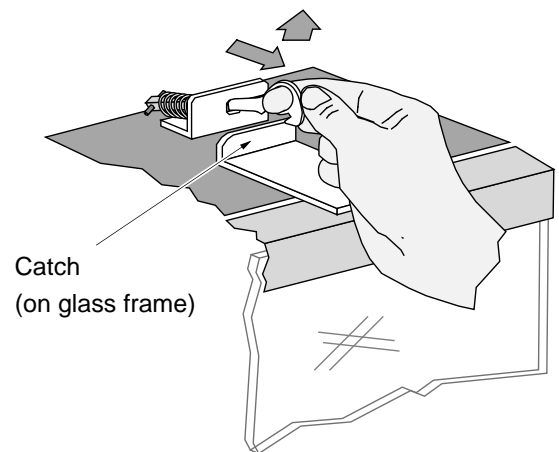
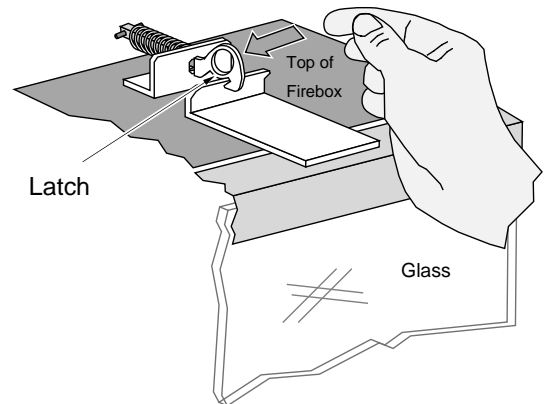
- a** Based upon the face being used, either:
- (a) swing the access door down and remove the top grill,
 - (b) remove the face (unscrew or lift off - see the instructions included with the face for details).

Open the six latches holding the glass frame in place (start with the bottom three) - follow the directions shown to the right.



- b** Lift the glass frame up and pull it forward to remove.

NOTE:
You may need to lift the glass frame while re-attaching.



Re-Attaching the Glass Frame:

- a) Hang the glass frame on the firebox.
- b) While holding in place, attach the upper latches (follow the instructions to the right in reverse).
- c) Lift the glass frame slightly and attach the lower latches.

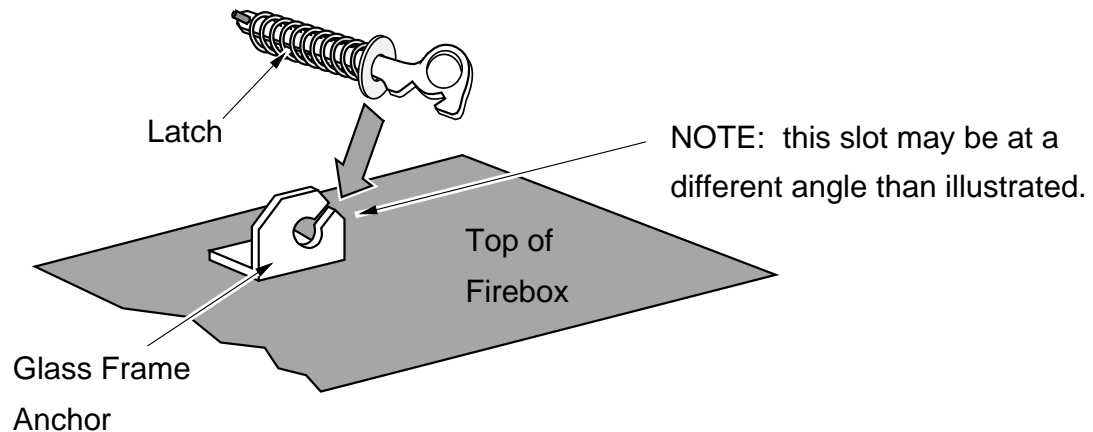
NOTE: Make sure the glass frame is all the way in place - it should be flush with the front of the fireplace when installed.

46 Finalizing the Installation (for qualified installers only)

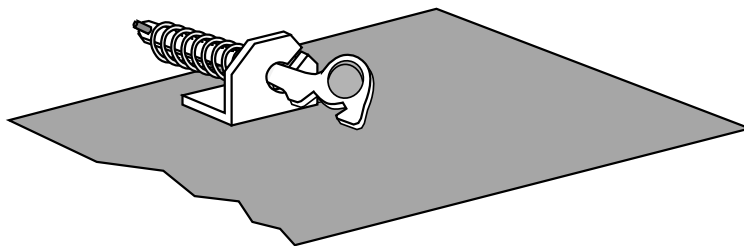
Glass Frame Removal and Installation (continued)

The latch can come loose from the latch assembly. This occurs only when it is rotated. Follow the directions below to re-install the latch if it comes loose.

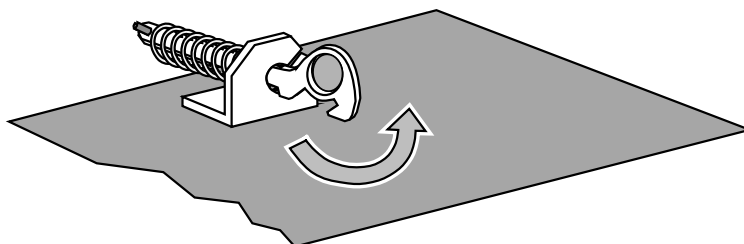
Hold the latch at an angle and insert it into the slot on the glass frame anchor.



Note how the washer on the latch fits behind the flange on the glass frame anchor.



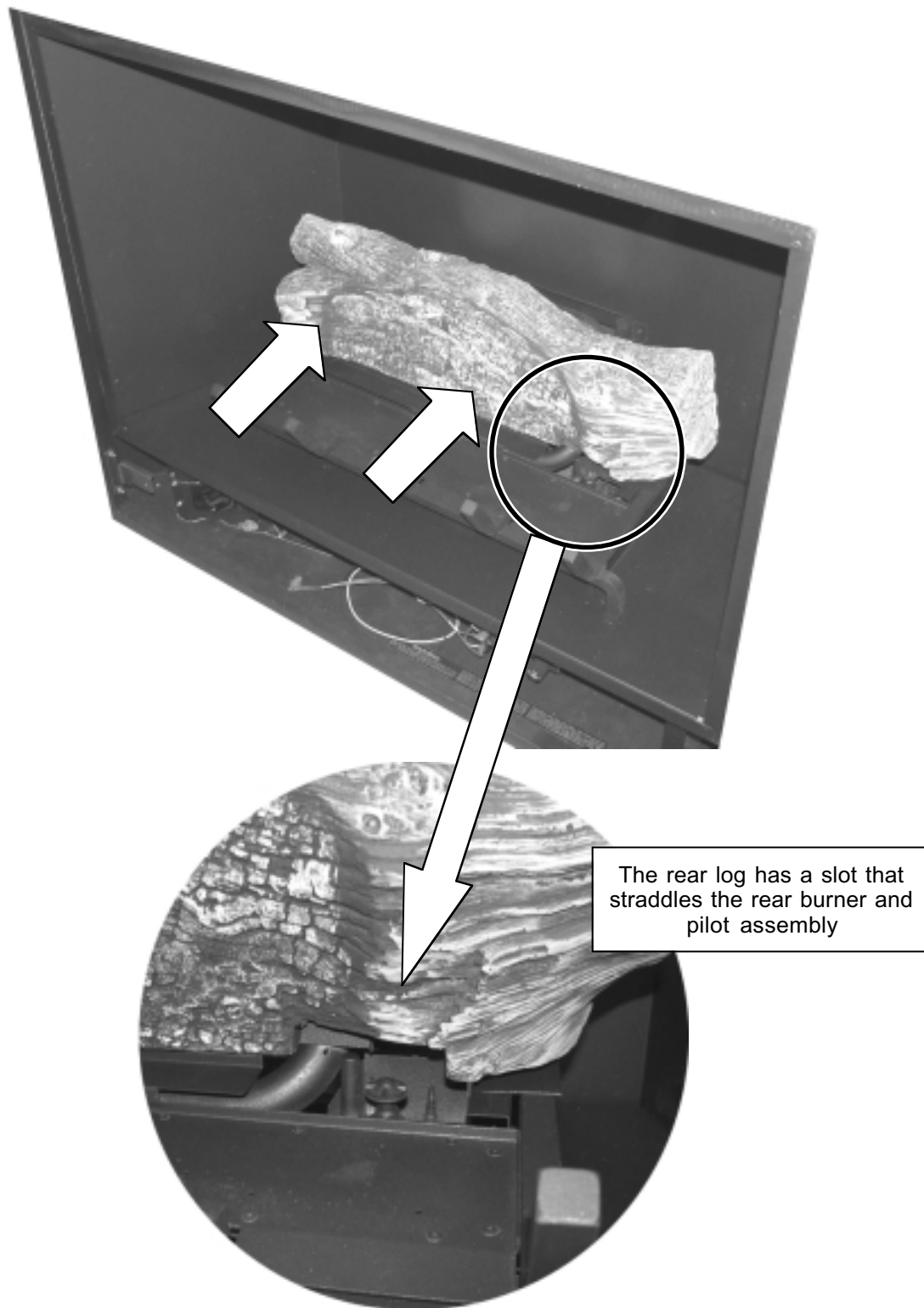
Once fully inserted, turn the latch until it is upright.



Log Set Installation

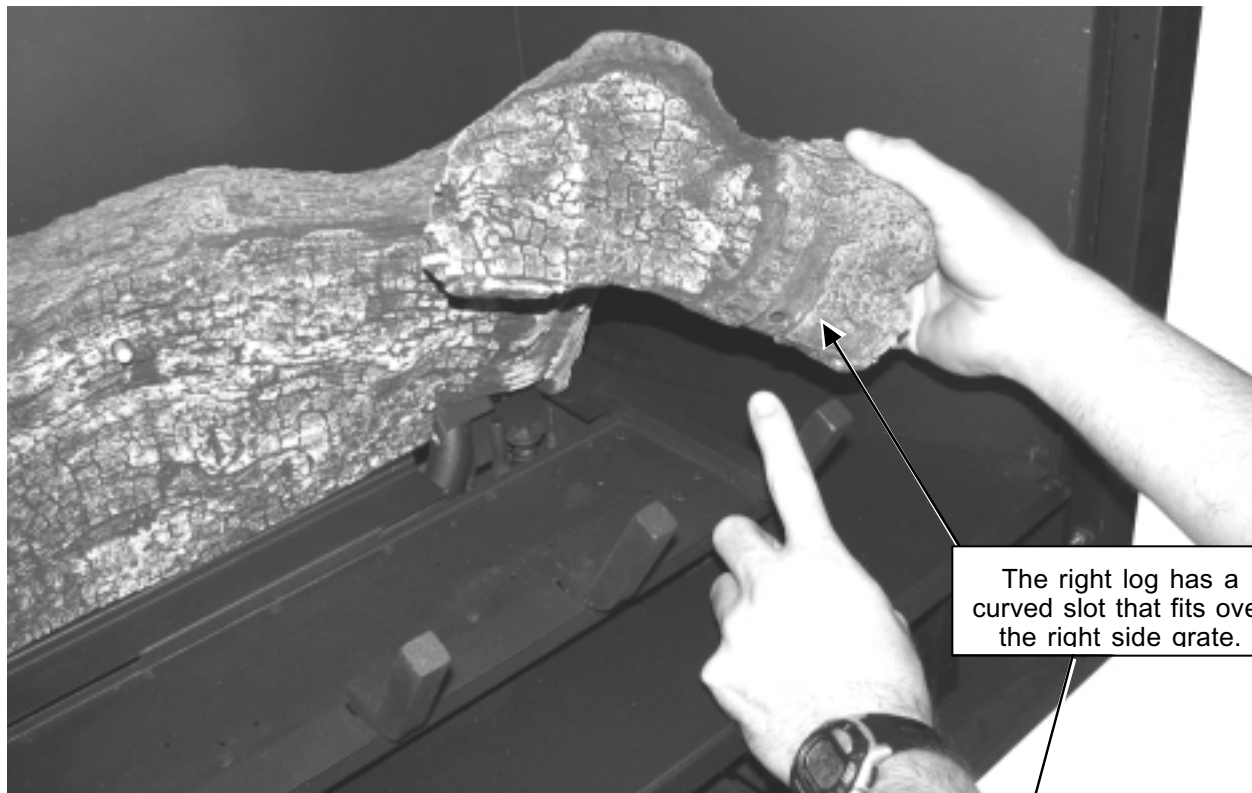
Rear Log Installation

Place the rear log as shown below. Make sure it is pushed all the way back on the log shelf.

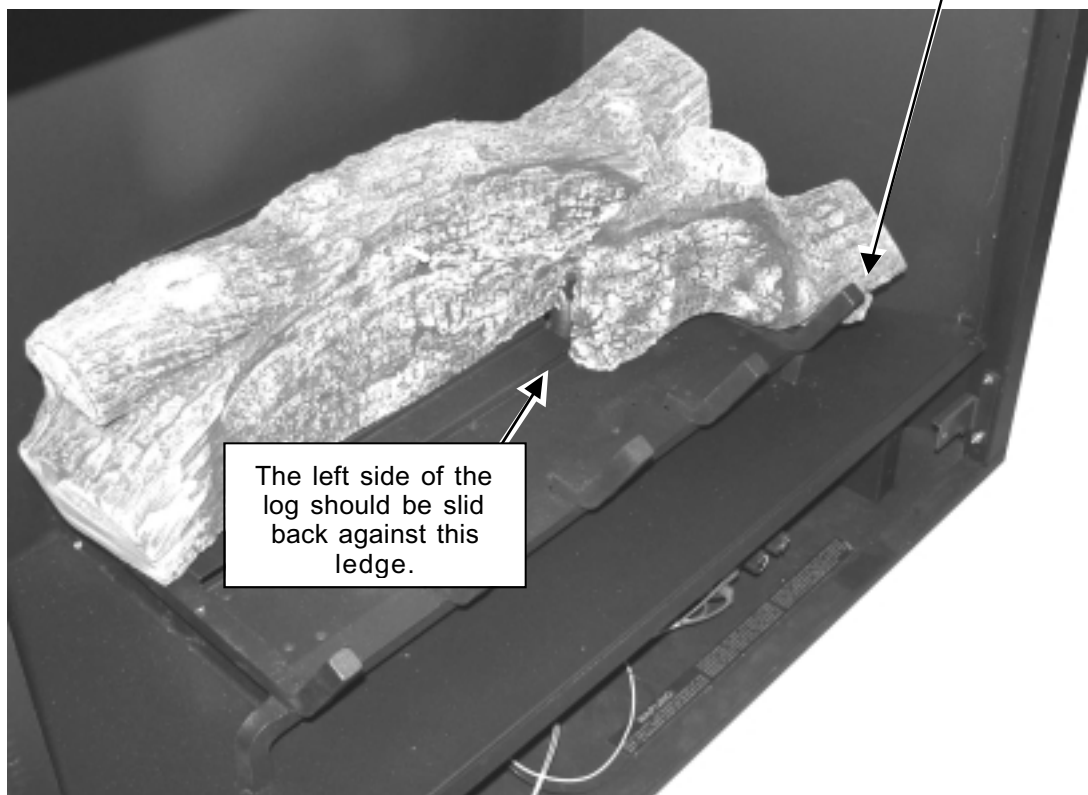


48 Finalizing the Installation (for qualified installers only)

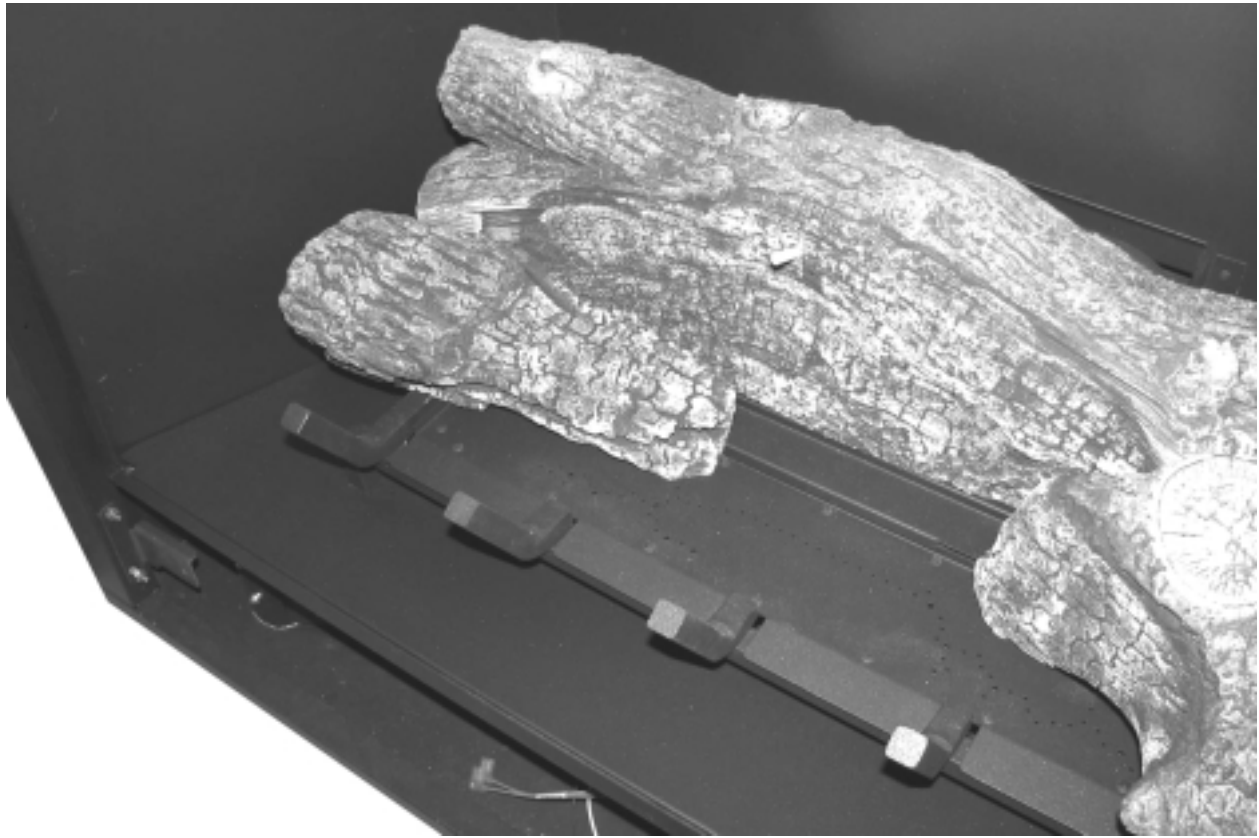
Right Log Installation



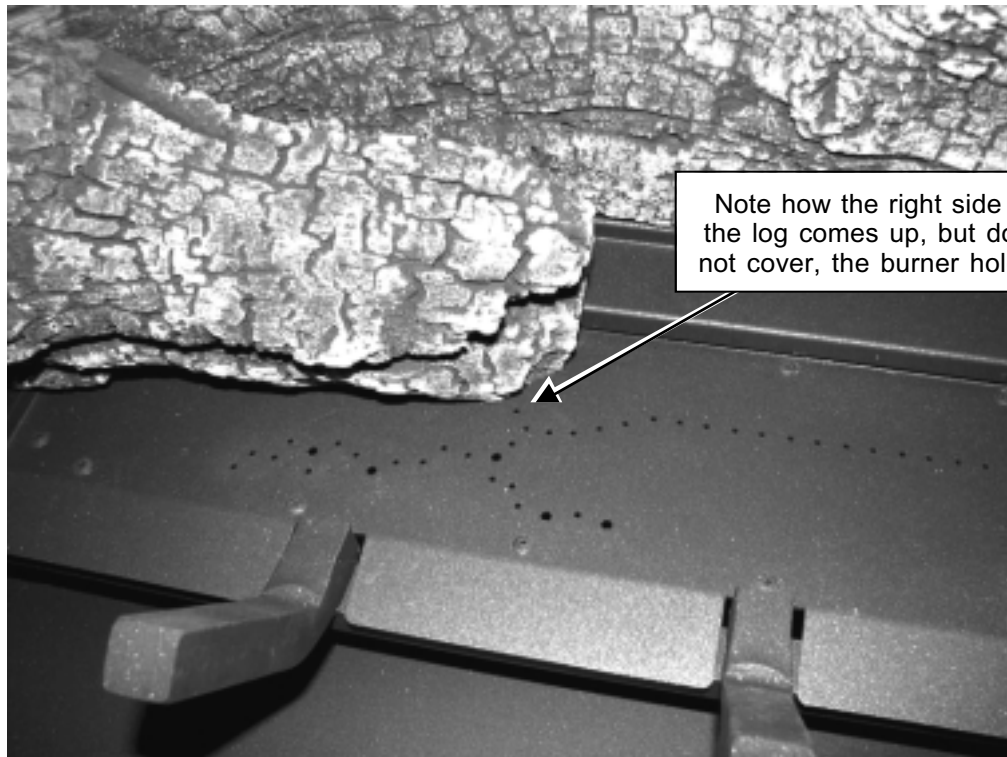
Place the right log as shown below.



Left Log Installation



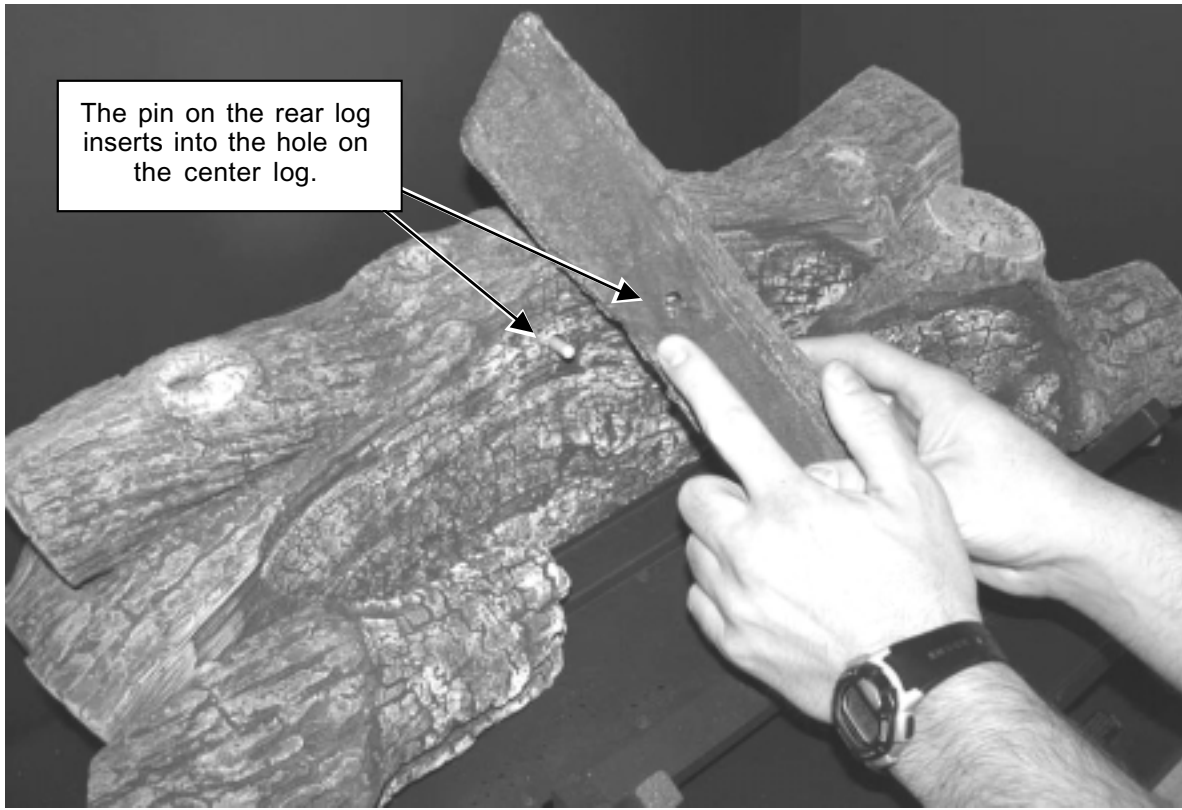
Place the left log as shown above.



Note how the right side of the log comes up, but does not cover, the burner holes..

50 Finalizing the Installation (for qualified installers only)

Center Log Installation



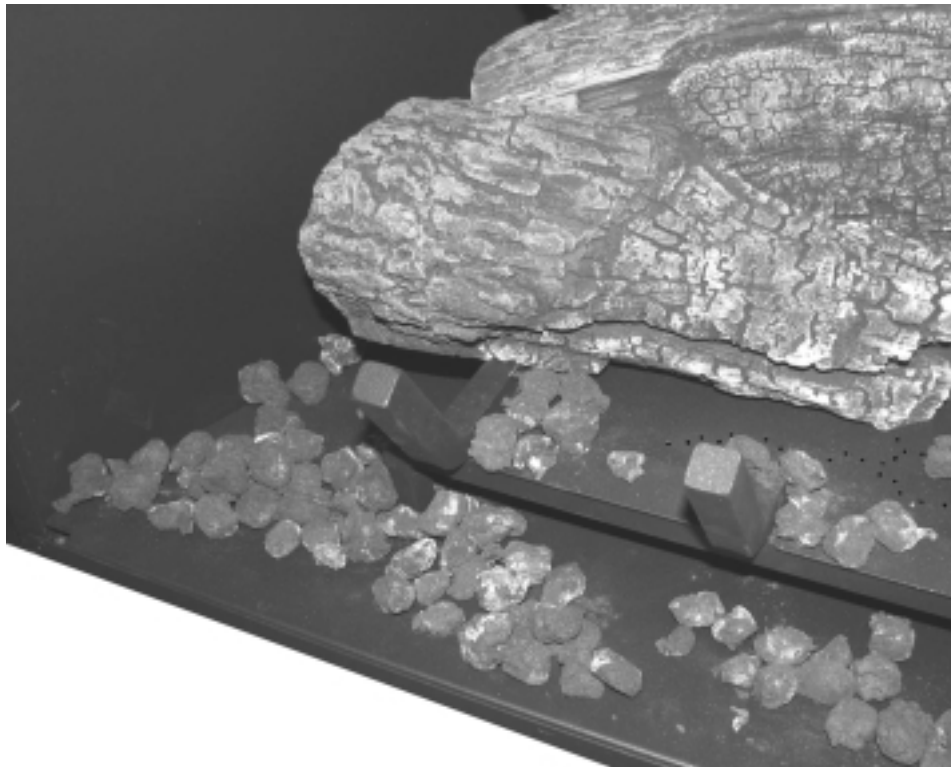
Note how the center log rests on the center grate.



Ember Installation



Place the embers along the hearth plate and burner - make sure they do not cover any burner holes or air channels. Use the embers to cover any rivets and to make the firebox more realistic.

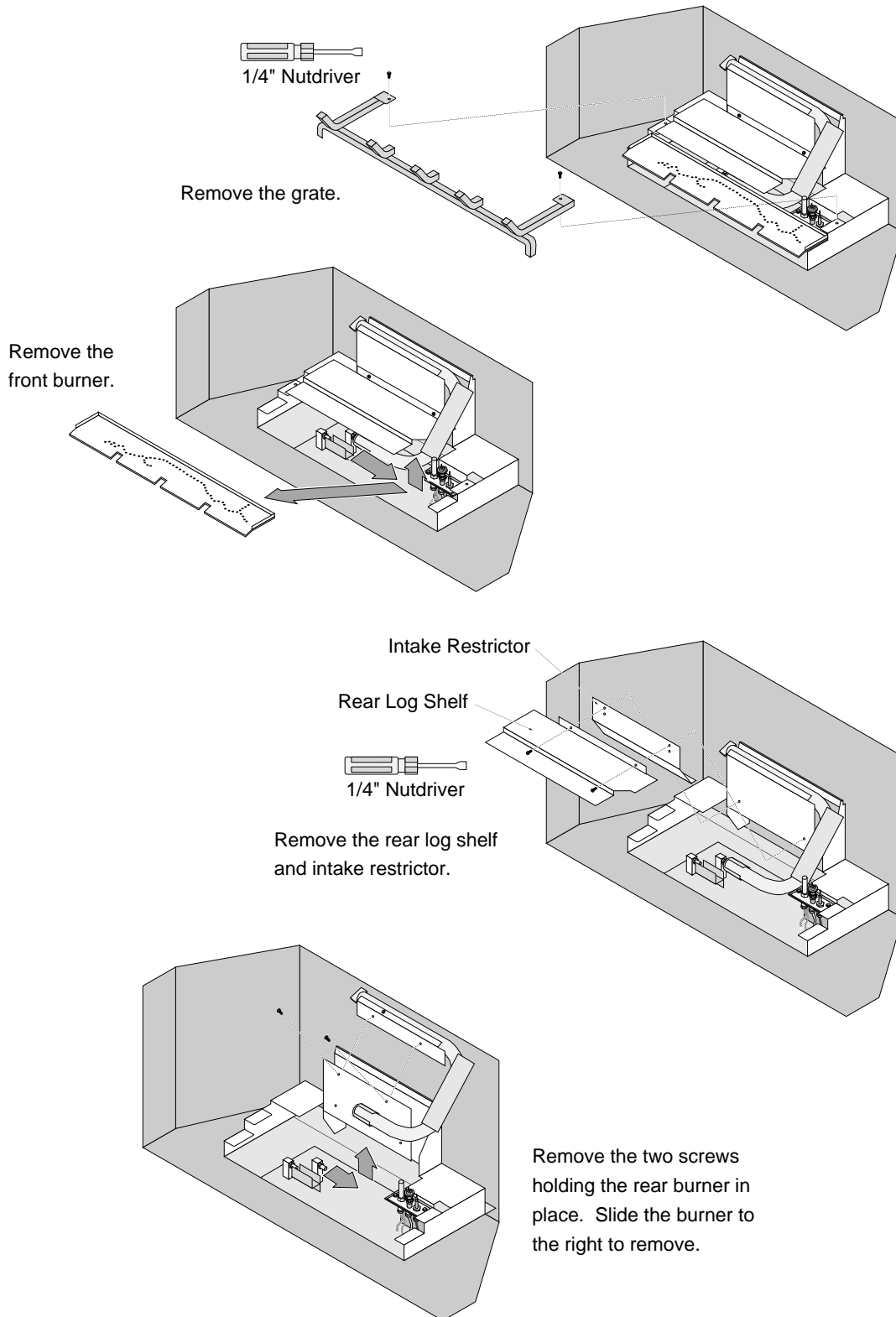


52 Finalizing the Installation (for qualified installers only)

LP Conversion Instructions

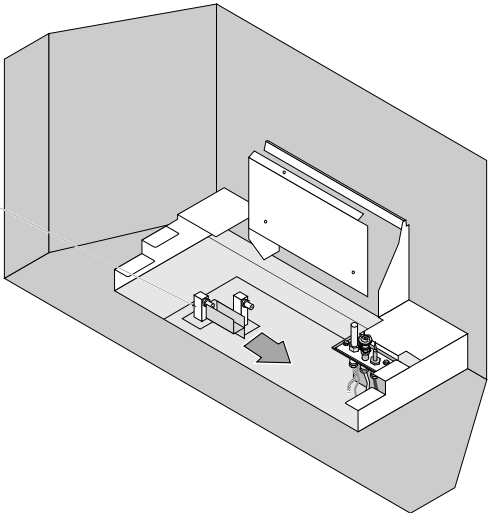
Install the conversion kit prior to installing the gas line to ensure proper gas use.

- 1 Remove the glass (see page 42). Remove the logs and coals (if installed - page 47)
- 2 Remove the burner (see illustration below).

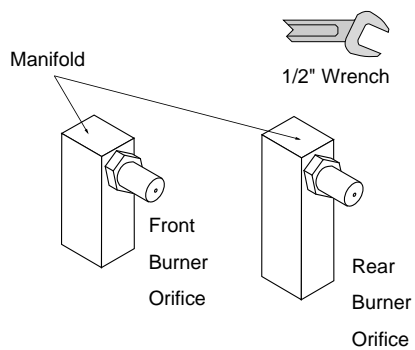


3 Follow the directions below to replace the orifice.

(a) Slide the air shutter all the way to the right.



(b) Use a 1/2" open end wrench to unscrew the two orifices.



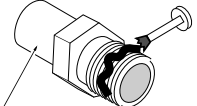
Manifold

1/2" Wrench

Front Burner Orifice

Rear Burner Orifice

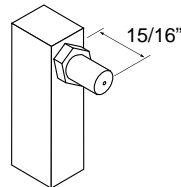
(c) Apply thread sealant to the LP orifices prior to installation. Use the chart below to identify the correct orifices.



Look here for the orifice identification

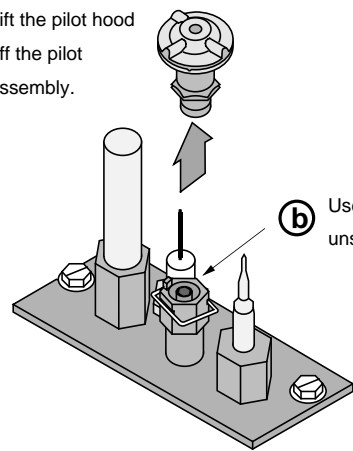
	NG	LP
Front	#49	#57
Rear	#49	#57

(d) Screw each LP orifice in so the orifice protrudes 15/16" (indicating full insertion).

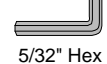


4 Remove the pilot orifice following the instructions below. Replace with the propane pilot orifice

(a) Lift the pilot hood off the pilot assembly.

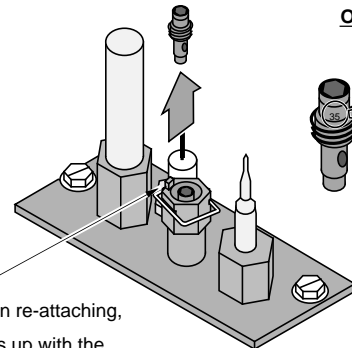


(b) Use a hex wrench to unscrew the orifice.

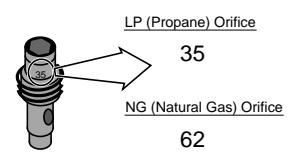


5/32" Hex

(c) Remove the orifice and replace with the LP orifice. Screw the orifice all the way in and replace the pilot hood.



Orifice Identification:



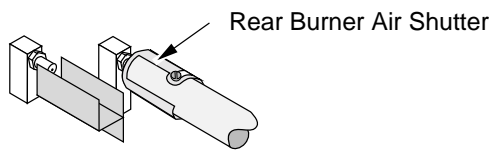
LP (Propane) Orifice
35

NG (Natural Gas) Orifice
62

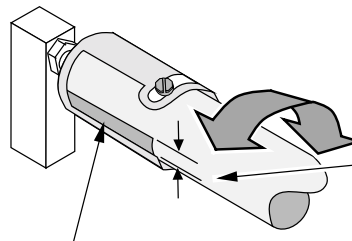
NOTE: when re-attaching, this pin lines up with the notch in the pilot hood.

54 Finalizing the Installation (for qualified installers only)

- 5 Replace the rear burner. Set the rear burner air shutter to a 3/16" gap.



Loosen the screw on the air shutter and rotate the air shutter.

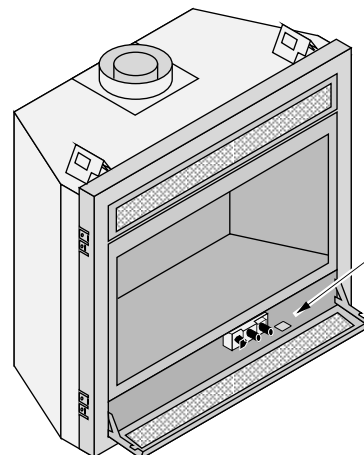
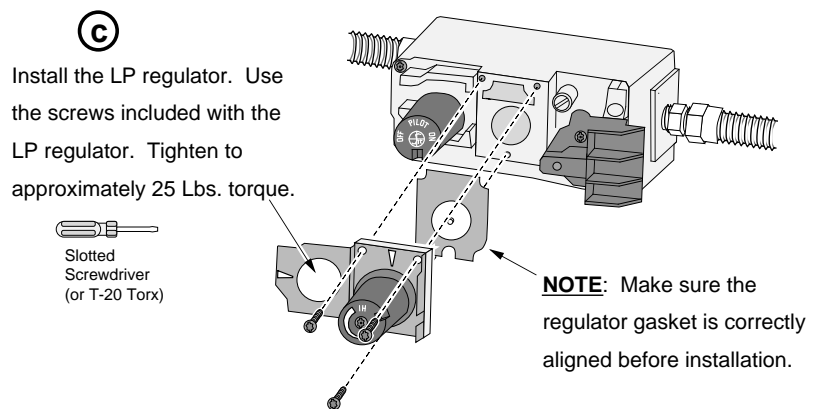
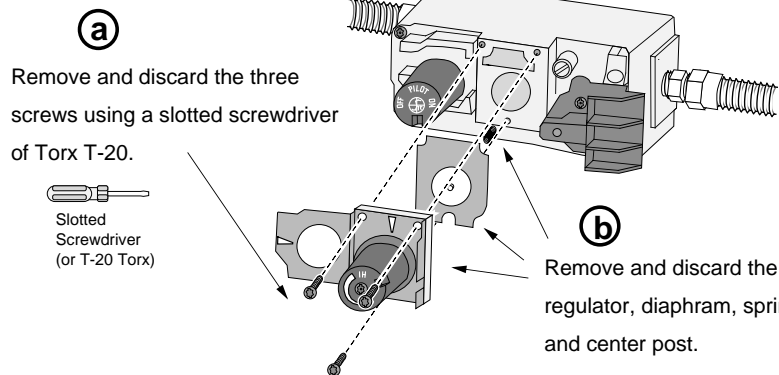


For LP Units:

Start with the rear air shutter set to a 3/16" opening.

- 6 Replace the firebox components. Install the logs and embers. Replace the glass.

- 7 Remove the regulator from the front of the gas control valve. Replace with the propane regulator, using the new gasket and screws included with the regulator. **NOTE: Leak test this area after the heater is installed, gas is connected, and the main burner is lit.**



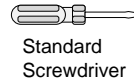
d

Place the LP label on the base of the fireplace near the gas control valve.

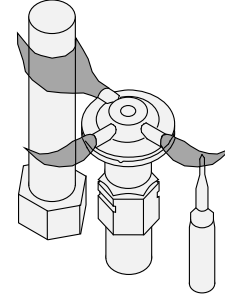
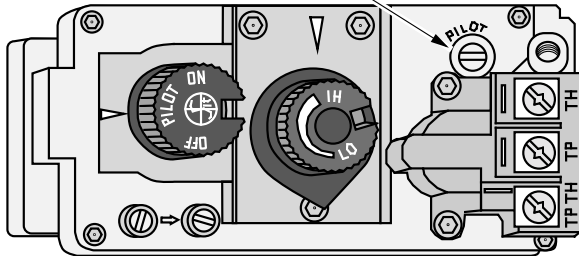
- 8 Make the gas line connection, bleed the gas line (if applicable), start the heater and thoroughly leak-test all gas connections and the gas control valve. Check the pilot. Adjust if necessary.

WARNING: When lighting or re-lighting the pilot, the glass must be removed (see page 42).

To adjust the pilot flame, turn this screw (NOTE: if totally unscrewed gas will come out of this port). Clockwise lowers the flame while counter-clockwise raises it.



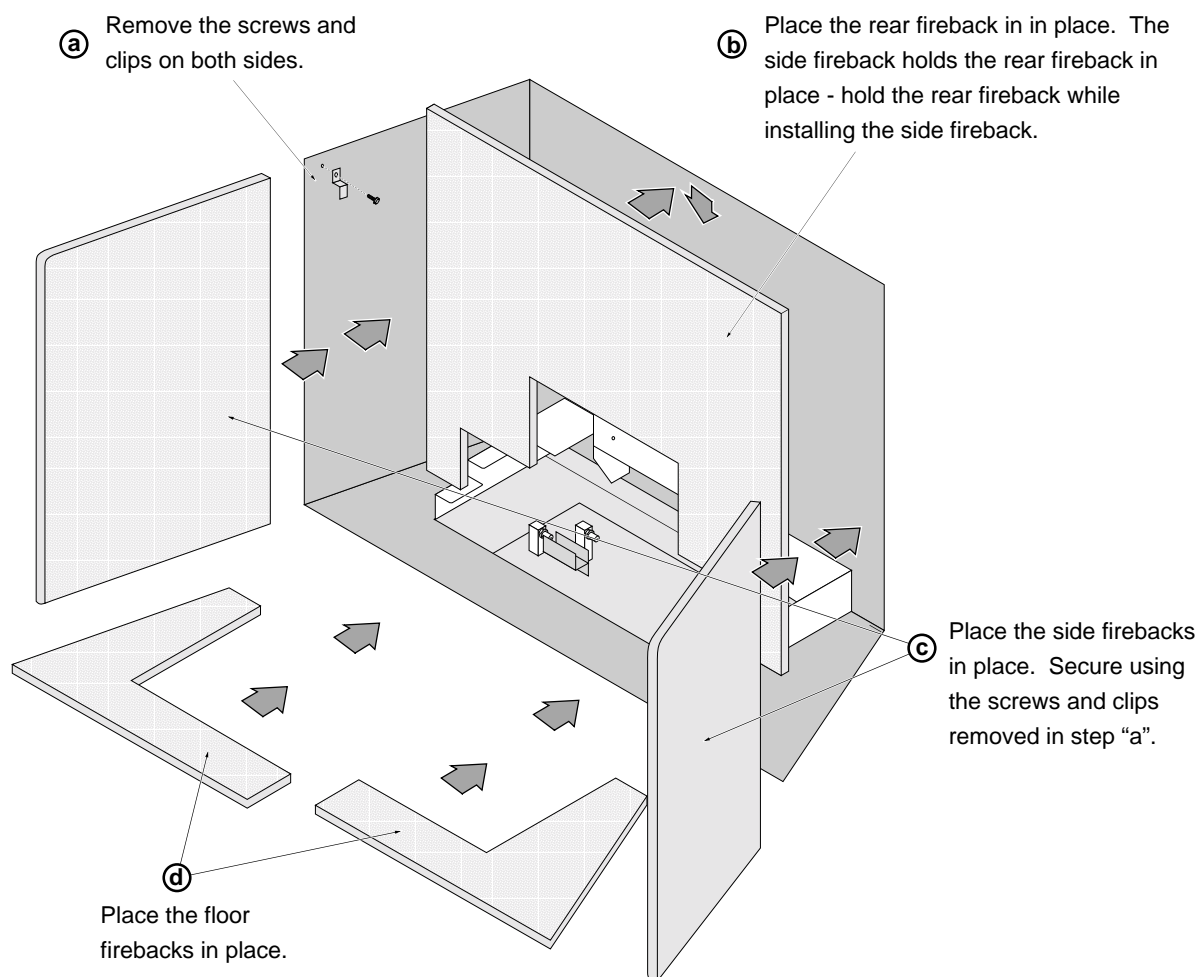
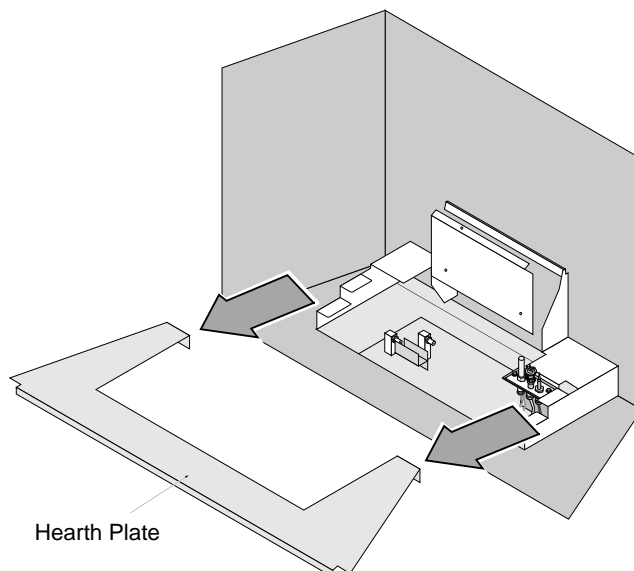
The pilot flame must contact the thermocouple and thermopile (see the illustration below). Adjust the pilot up or down as necessary.



Fireback Installation

WARNING Turn off gas to the appliance and make sure it has fully cooled prior to conducting service.

- 1 Remove the glass frame and logs.
- 2 Remove the front and rear burners (see page 52).
- 3 Remove and discard the hearth plate.
- 4 Install the firebacks following the directions below.



- 5 Restore the fireplace to the correct configuration.

Blower (part # 99000156)



Make sure power to the fireplace has been turned off prior to installation (disable the service breaker).

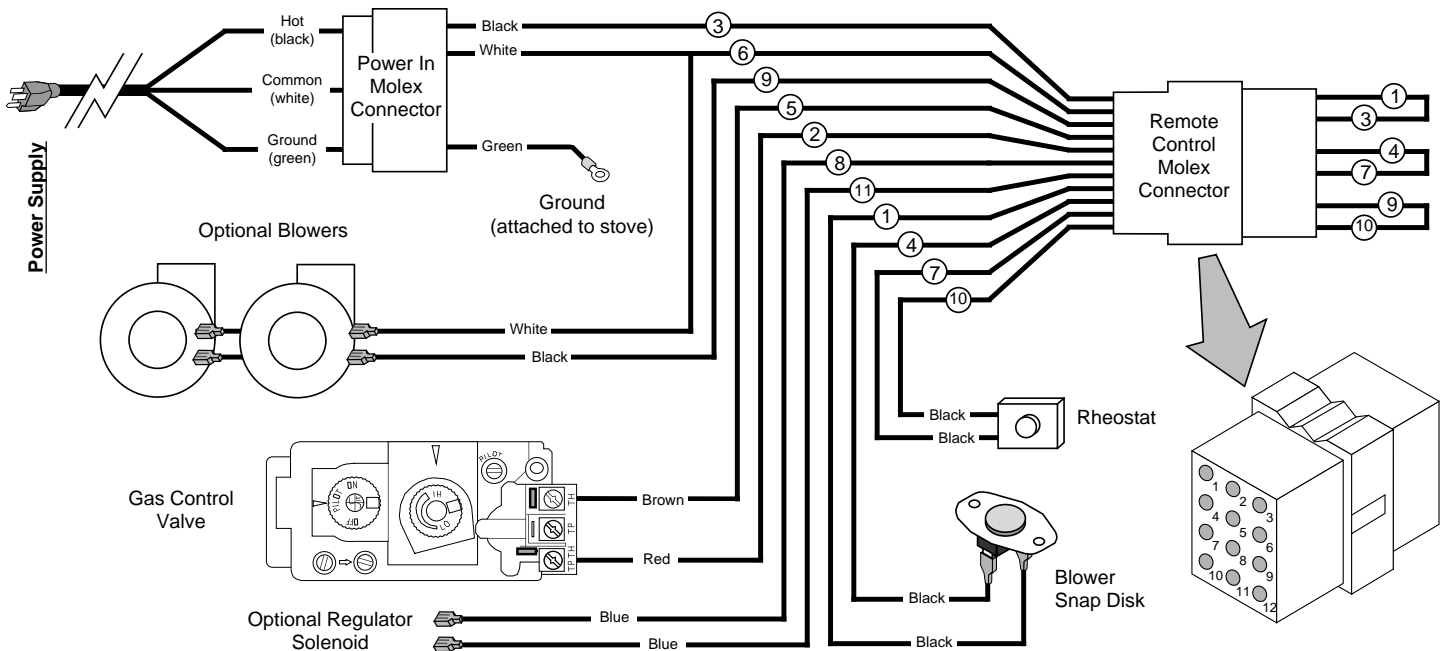


Do not connect 110-120 VAC to the gas control valve or wiring system of this fireplace.



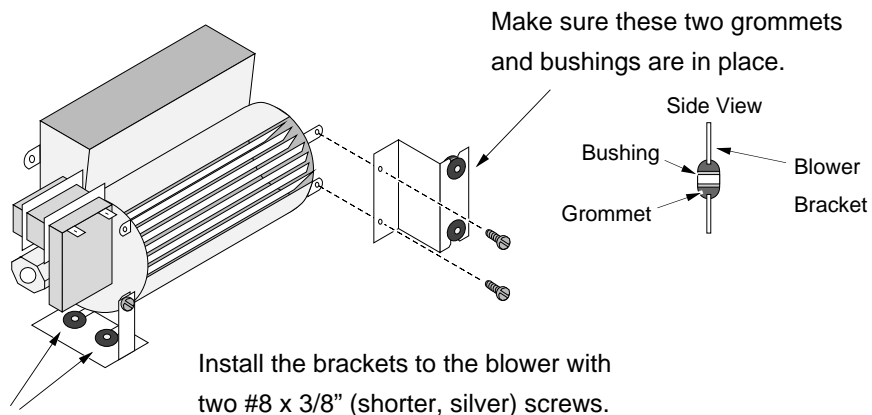
It is easier to install the blower prior to connecting the gas line.

Wiring Diagram - Blower Wiring Harness



Blower Installation

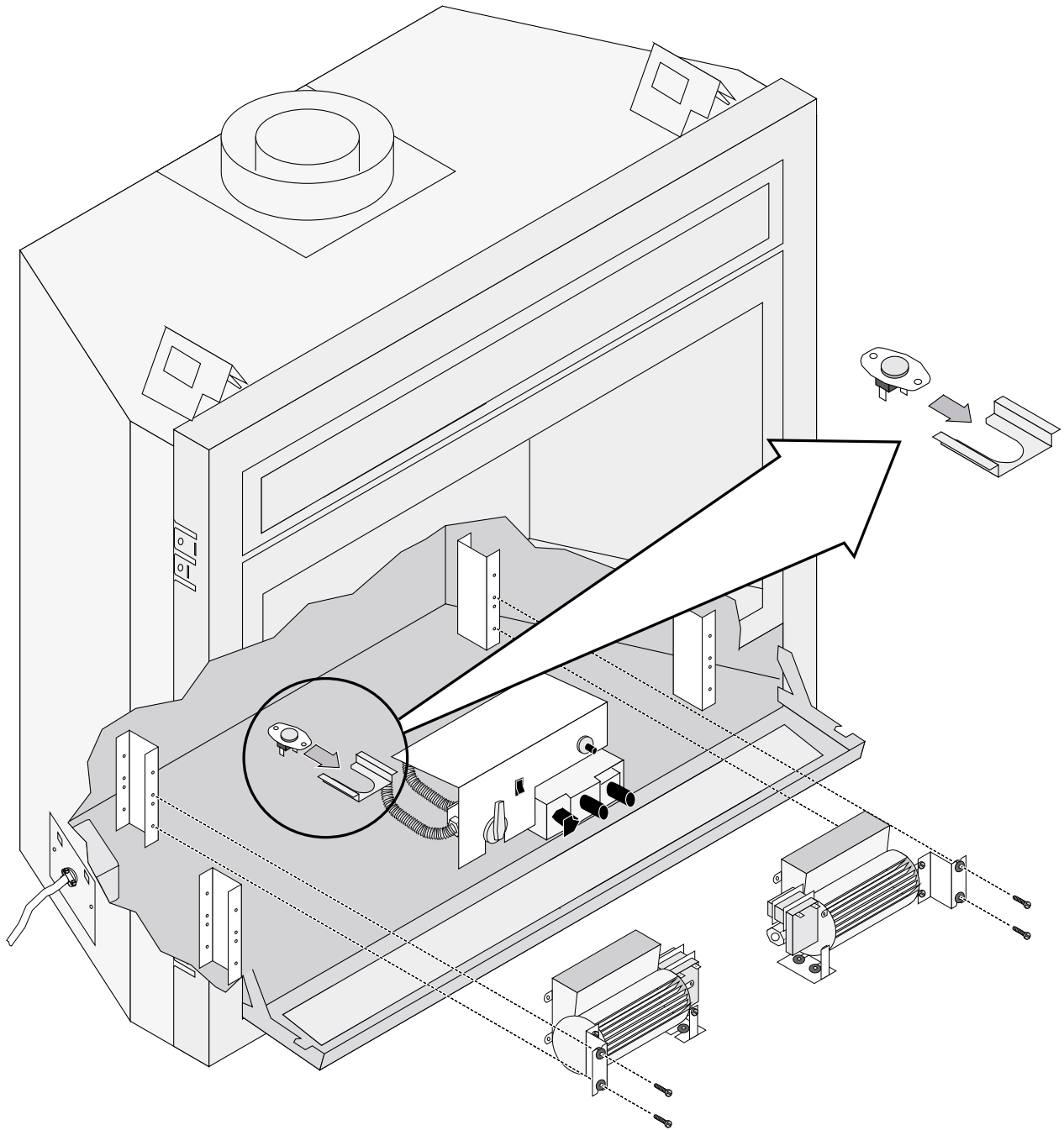
1. Attach the right side blower to a blower bracket following the directions below.
2. Repeat step 1 for the left side blower.



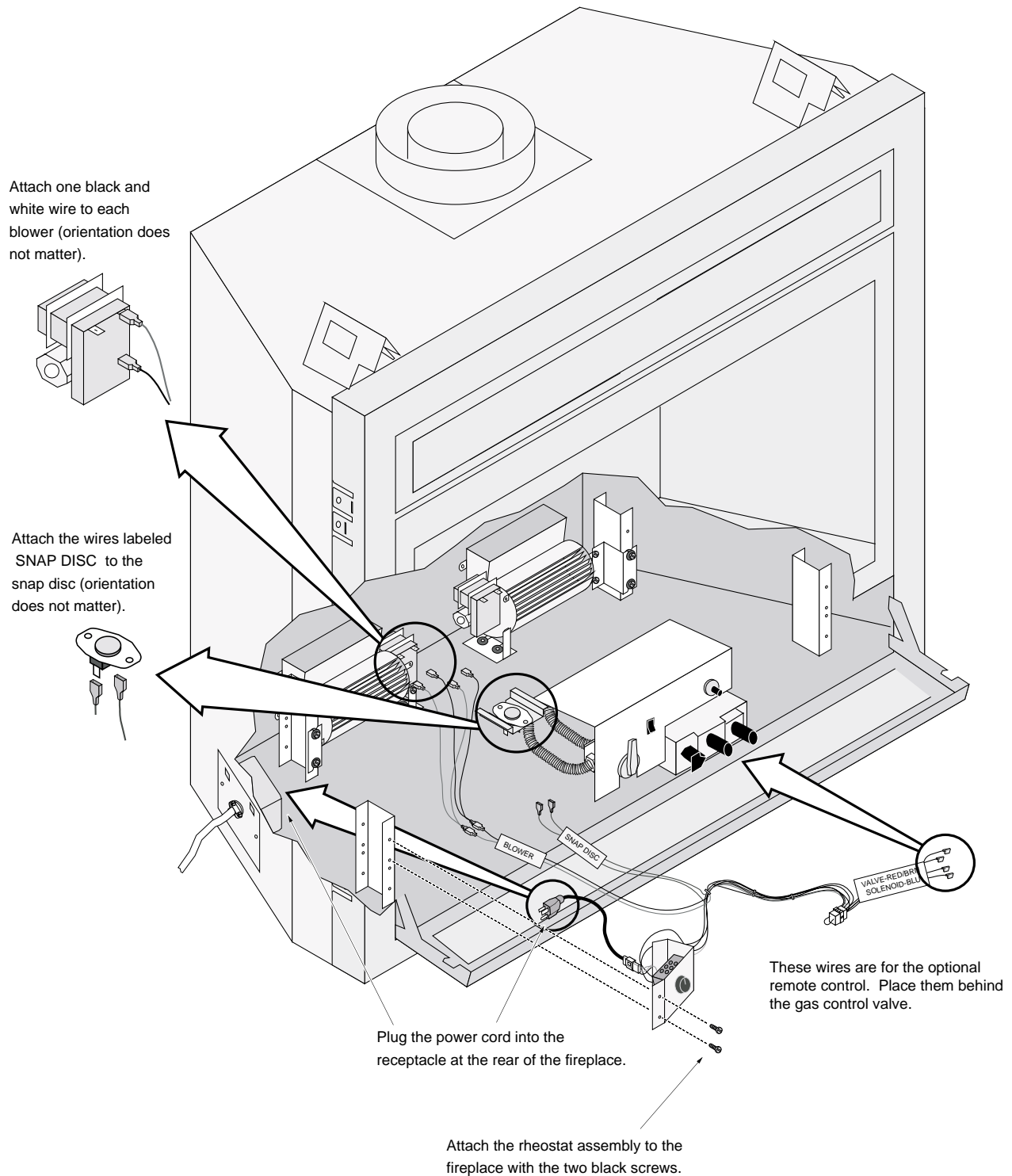
Make sure these two grommets are in place (they insulate the fireplace from blower vibration)

3. Attach the blowers (use the #8 x 3/4" silver screws) and snap disc (see the directions below).

NOTE: Make sure the grommets (and bushings) stay in place while installing. The rubber grommets insulate the fireplace from any blower vibration (reducing noise).



- Attach the wiring and rheostat assembly following the directions below.
 - NOTE:** You may need to cut or adjust some of the lock ties on the wiring harness.
 - NOTE:** Make sure wiring does not contact blower impellers or any hot surfaces. Use lock-ties if necessary.



- Turn on power to the fireplace.
 - NOTE:** To test the blower without turning on the fireplace, use a jumper wire to connect the two snap wires together (turn off power prior to connecting the jumper wire).

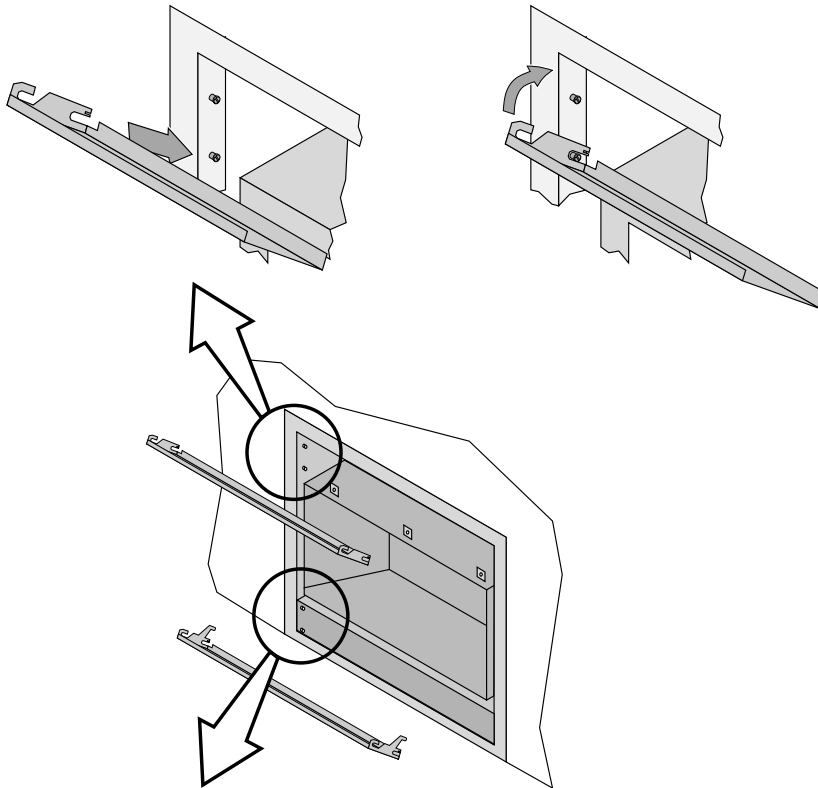
Grill Installation

Certain faces allow for installation of an upper and lower grill. Follow the directions below to install.

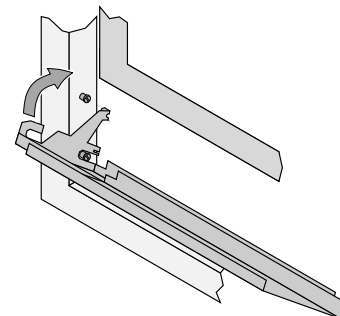
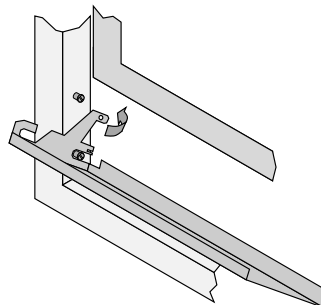
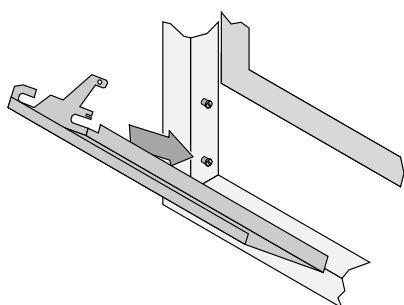
Upper Grill Installation

Hold the grill at an angle and insert the lower slot over the bushing on the fireplace (both sides). You may need press on the grill to get the tab over the bushing (this prevents the grill from accidentally falling off).

Swing the grill upwards to engage the second slot. You will need to lift the grill slightly to get it over the bushing. Once in place the grill is held in place by gravity.



Lower Grill Installation



Hold the grill at an angle and insert the lower slot over the bushing on the fireplace (both sides). You may need press on the grill to get the tab over the bushing (this prevents the grill from accidentally falling off).

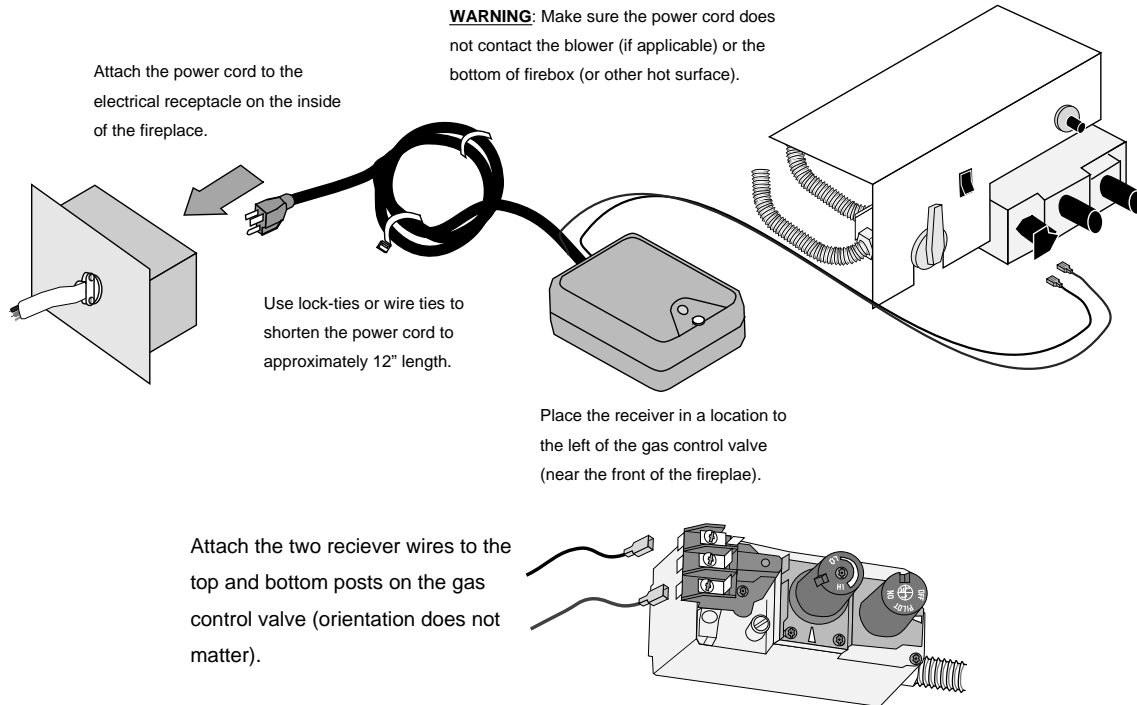
Bend this the tab over on both sides. This is the end-stop for the lower grill, it allows the grill to swing forward.

Swing the grill upwards to engage the second slot. You will need to lift the grill slightly to get it over the bushing. Once in place the grill is held in place by gravity.

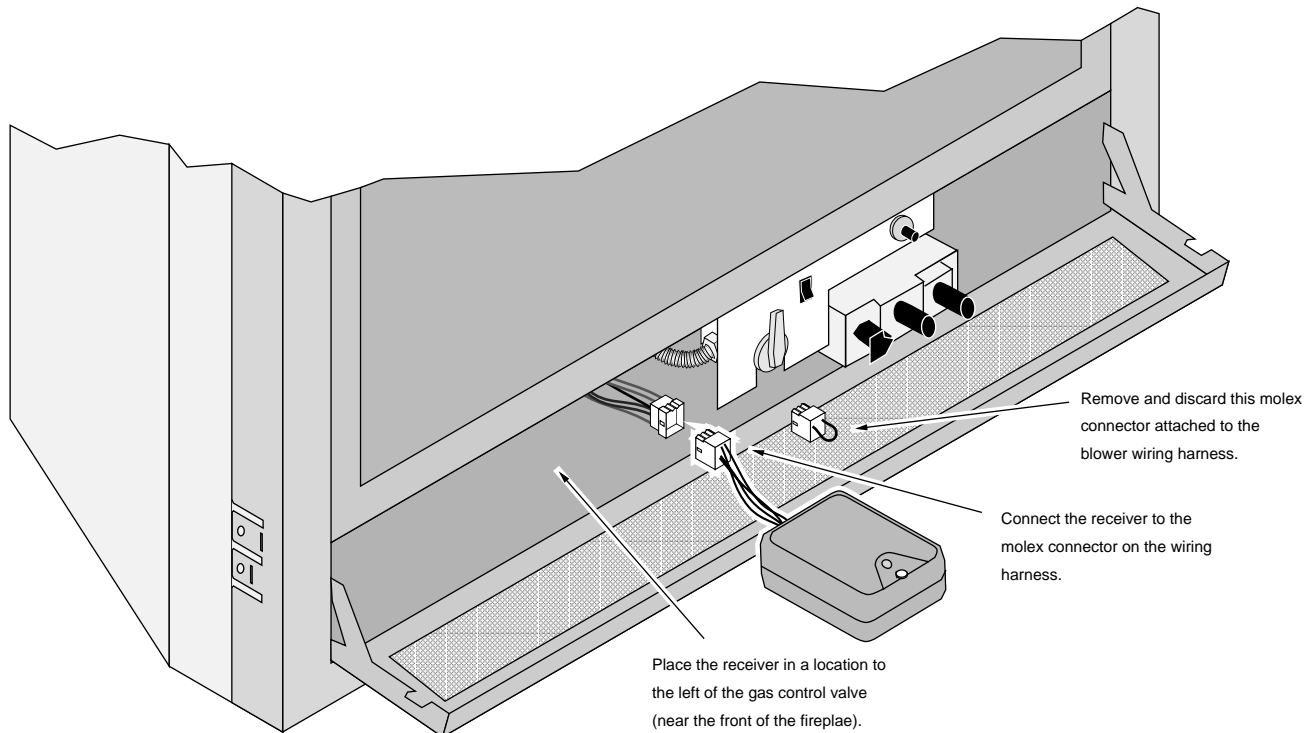
Remote Control Receiver Installation (2 Options)

The instructions below detail installation of the optional remote control receiver. For operating instructions, refer to the instructions included with the remote.

OPTION # 1 - Remote Thermostat (99300653)



OPTION # 2 - Remote Thermostat (99300677) - Requires the Optional Blower



Extra Room Power Heat Duct

Installation Overview

The optional heat duct allows the fireplace to transfer heat to separate locations in the home. Installation should take place prior to installing drywall.

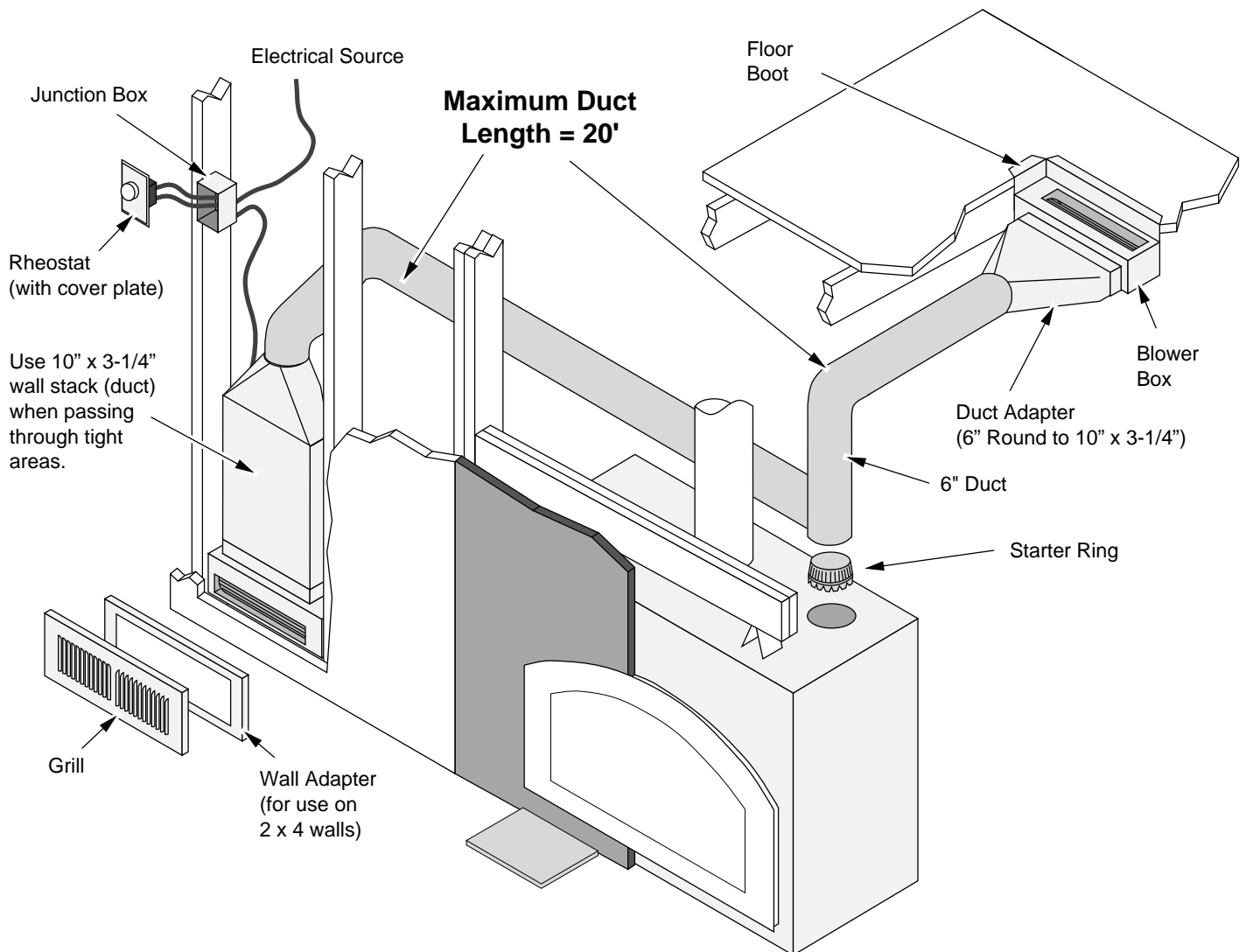
Warning: This kit must be installed as specified in these instructions. Do not modify any component.

Warning: Use of any external blower other than the Travis Power Heat Duct Blower will void the warranty and listing of this appliance and may create a fire hazard.

Note: The power heat duct **must** be installed by a qualified service technician.

Note: Some building codes may require the use of firestop spacers whenever the duct passes from room to room.

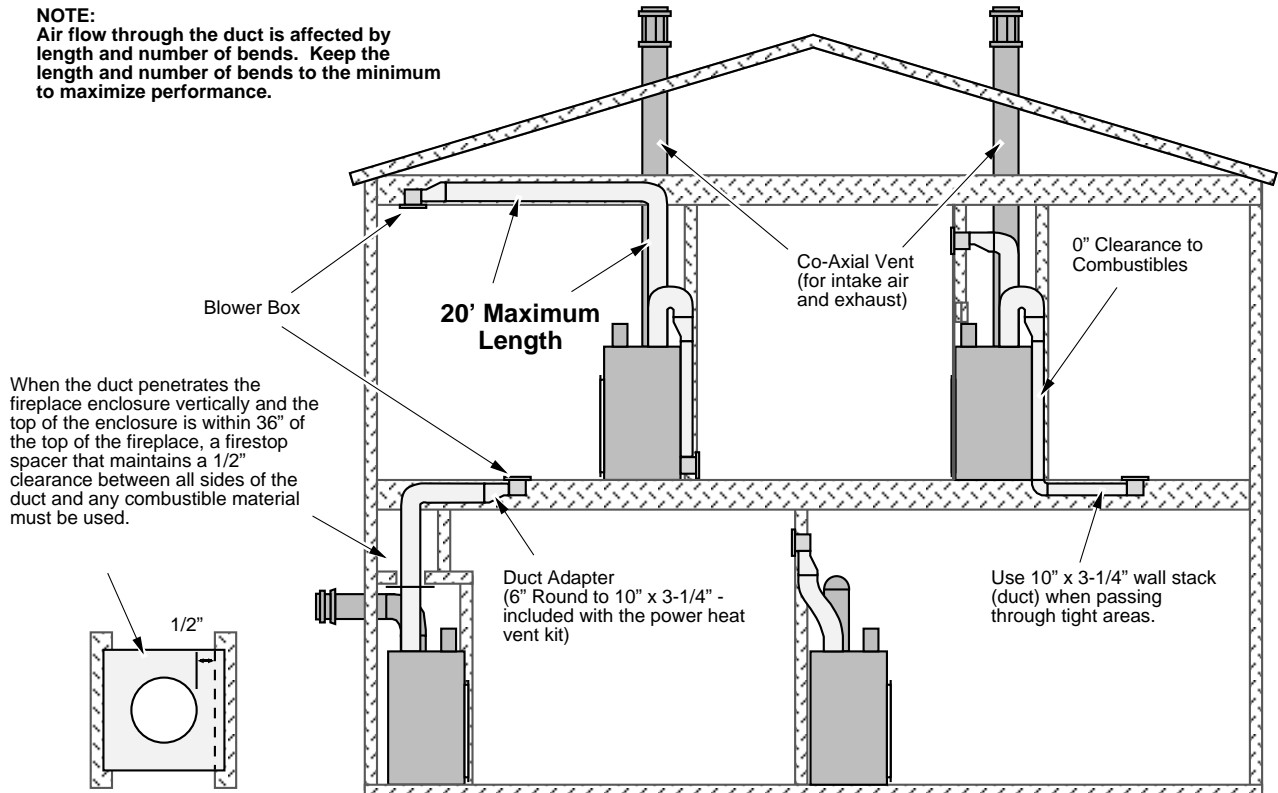
Note: When routing ducts through a cold area (e.g. crawl space) we recommend insulating the duct with fiberglass insulation. If paper-backed insulation is used, the paper can not contact the duct.



Duct Installation Instructions

Determine the route for the heat duct using the illustration below as a guide.

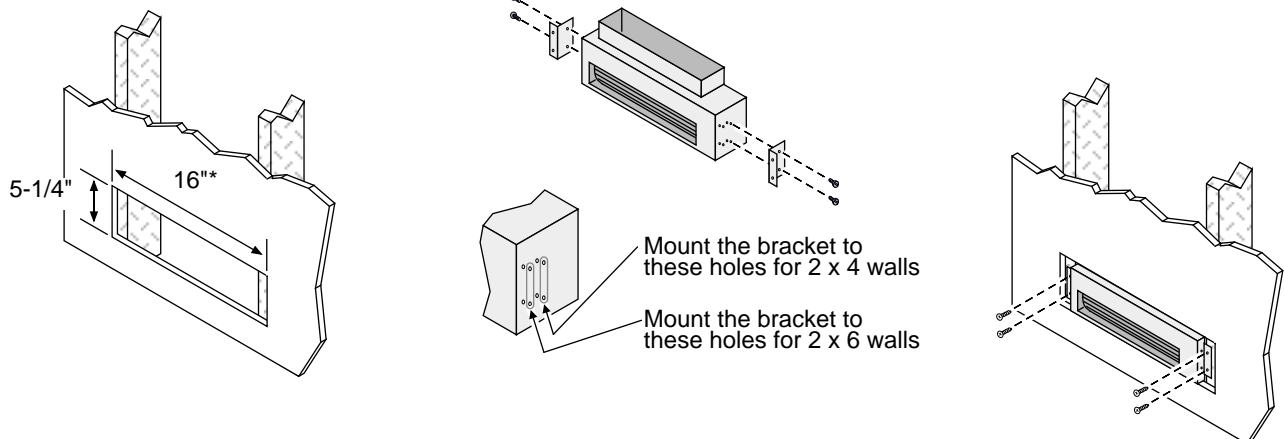
NOTE:
Air flow through the duct is affected by length and number of bends. Keep the length and number of bends to the minimum to maximize performance.



Attach the blower box to the framing or floorboards of the home following the instructions below.

Wall or Ceiling Mounting

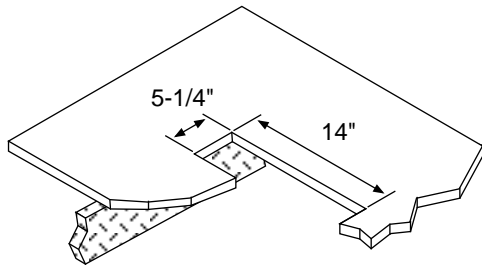
- (a)** Cut a hole between wall framing members for the blower assembly.
- (b)** Attach the wall mounting brackets to the blower box.
- (c)** Slide the blower, with wires, into the hole cut in step "a". Attach with four screws.



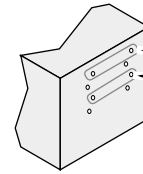
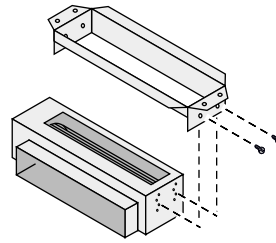
* This blower was designed for framing on 16" centers. Construct additional framing if needed. If the blower is installed prior to the drywall only a 14" opening is required. If installed after the drywall is in place, the drywall to the sides of the blower will need to be patched.

Floor Mounting

- a** Cut a hole between floor joists for the blower box.

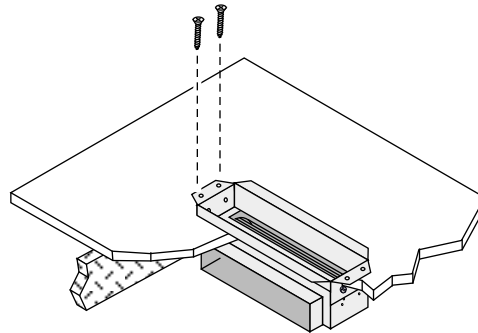


- b** Attach the floor boot to the blower box with the included screws.

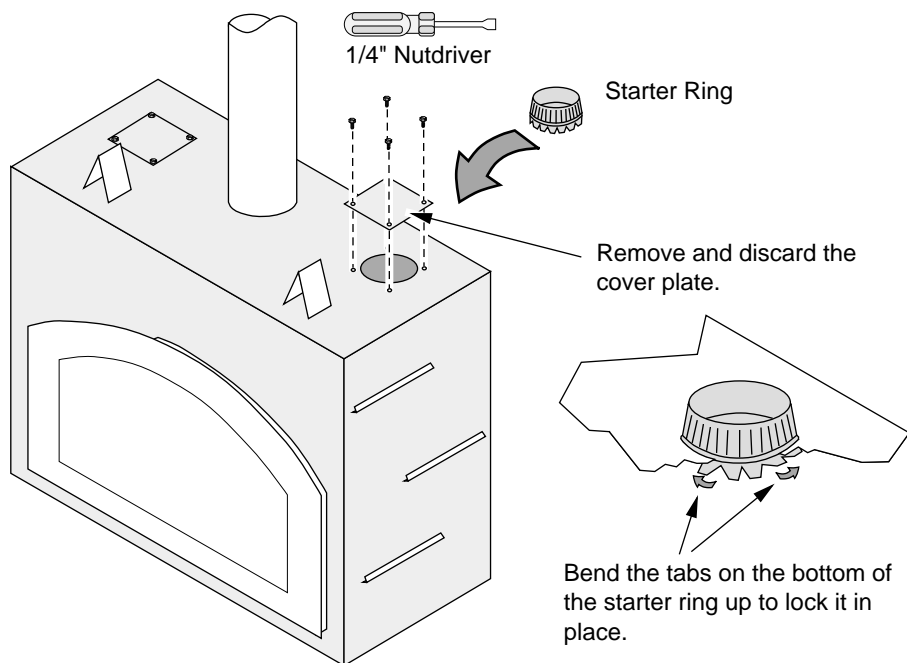


The screws attach to either of these pairs of holes. Use the upper pair for thick flooring, the lower pair for thin flooring.

- c** Slide the blower into the hole cut in step "a". Attach with four screws.

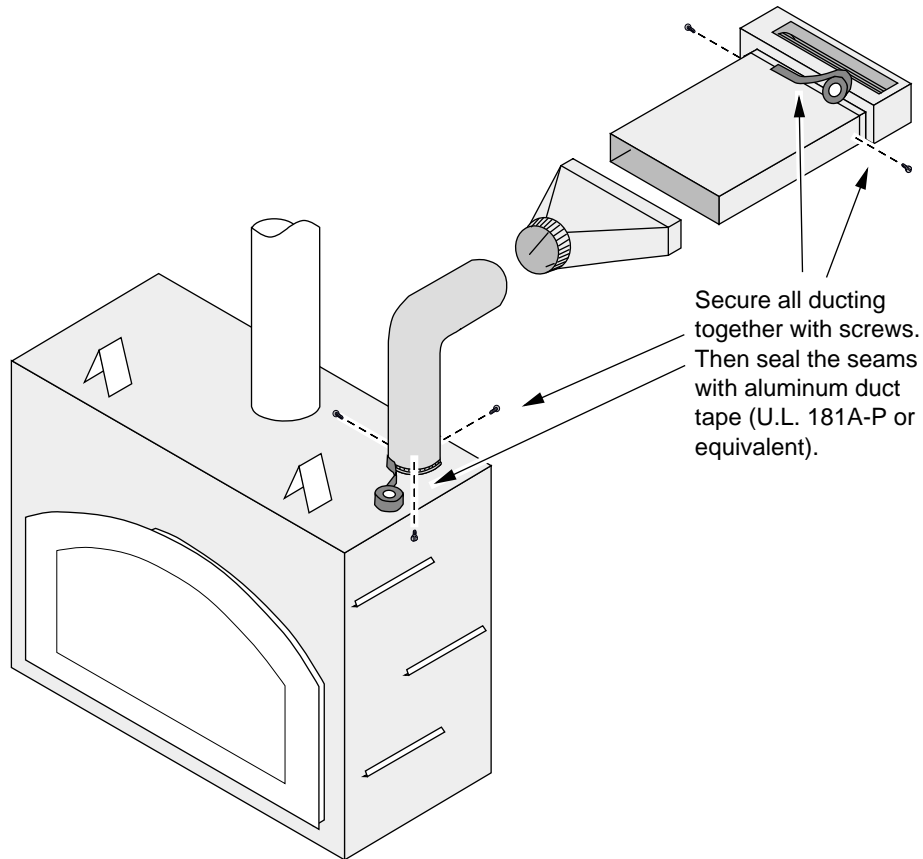


Attach the starter ring to the fireplace following the directions below (use the most convenient side - 864TRV has only one opening on the right side).

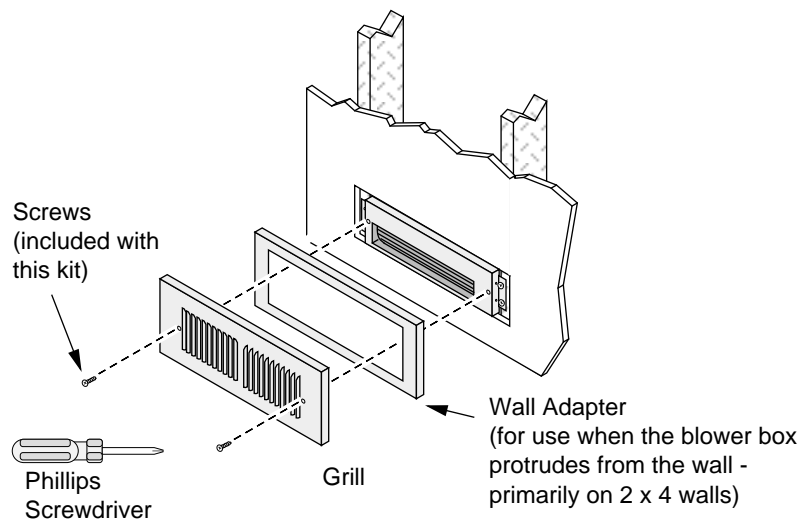


Install the air duct. Each section, when joined, must be attached with three screws and aluminum duct tape (U.L. 181A-P or equivalent). Secure the duct if it is in an area where it may sag or become dislodged.

NOTE: The air duct has a 0" clearance to combustibles.



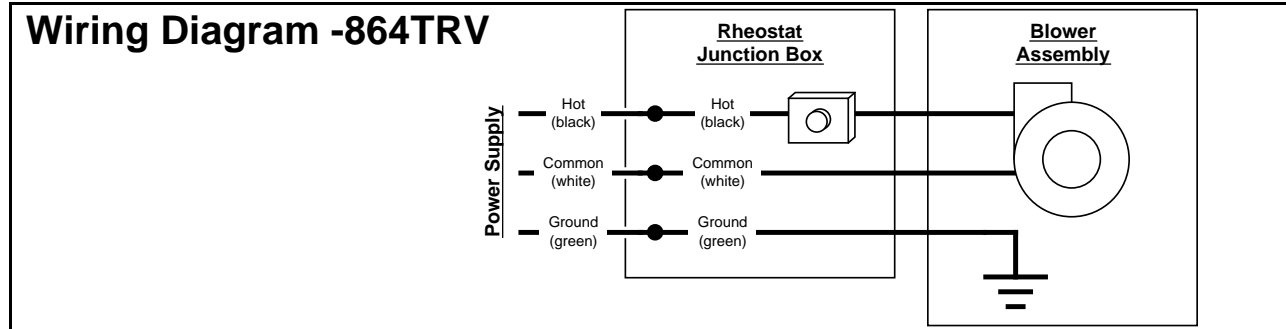
Attach the grill (and wall adapter, if necessary).



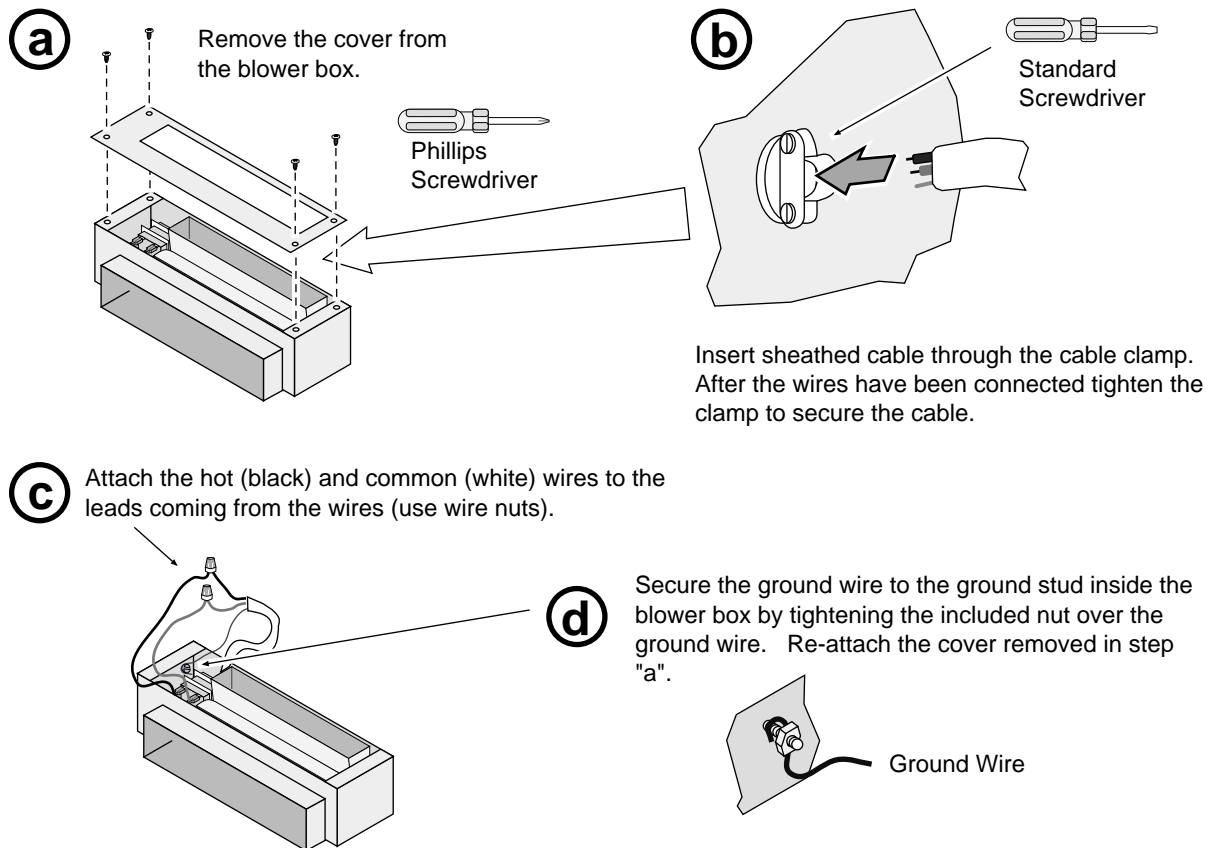
Wiring Instructions

Warning: All wiring should be done by a qualified electrician and shall be in compliance with local codes and with the current National Electric Code ANSI/NFPA 70 (in the U.S.), or with the current CSC22.1 Canadian Electric Code (in Canada).

Warning: Make sure the fireplace electrical circuit is disabled prior to working on electrical hookup.

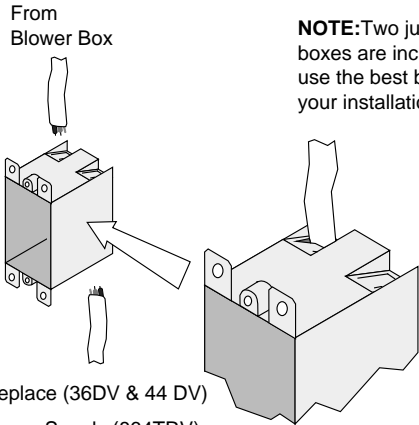


1 Follow the directions below to wire the blower box.



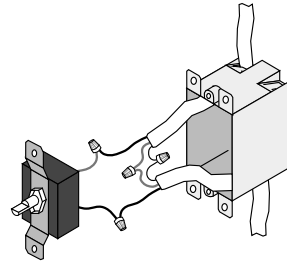
- 2 Follow the directions below to wire the rheostat. **NOTE:** There are two types of junction boxes, use the appropriate junction box for your installation.

(a) Force the sheathed cable through one of the locking flaps on the junction box (repeat for the other cable). Some force is needed. The flap will lock the cable in place.

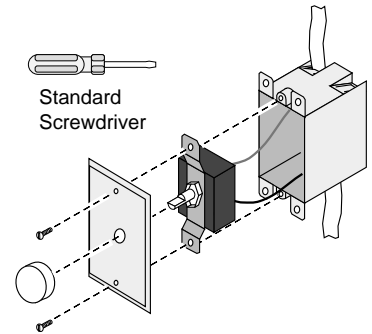


NOTE: Two junction boxes are included - use the best box for your installation.

(b) Attach the common (white) wires together. Attach the ground (exposed or green) wires together. Then attach each of the hot (black) wires from the cables to the two wires on the rheostat (orientation does not matter). Carefully pack the wires into the junction box.



(c) Attach the cover plate (either white or beige) with the included screws. Slide the knob (either white or beige) over the rheostat shaft.



- 3 Run the free wire from the rheostat junction box to the power supply. The thermodisk included with this kit may be discarded (it is not used on this fireplace).

Operating Instructions

Allow the fireplace to reach normal operating temperature. Then use the wall-mounted rheostat to operate the blower speed.

864TRV: Turn the blower off when the fireplace is not in operation.

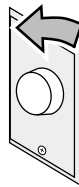
OFF

Turn the dial all the way counter-clockwise until it clicks off.



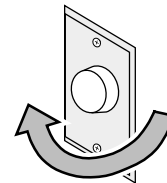
HIGH

The high position is all the way counter-clockwise, **without** clicking off.



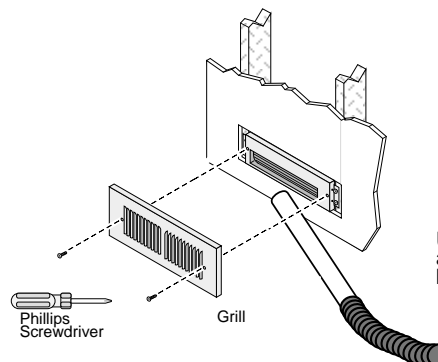
LOW

Turn the dial all the way clockwise.



MAINTENANCE INSTRUCTIONS

Once a year the grill should be removed and the blower area cleaned. Use a vacuum to clean around the squirrel-cage blower, being careful not to damage any of the blades.



Use a vacuum cleaner to remove any debris from the power vent blower.

Index

Additional Items Required	7	Minimum Framing Dimensions - Rear Vent Configuration.....	11
Air Shutter Adjustment	43	Minimum Framing Dimensions - Top Vent Configuration.....	12
Altitude Considerations.....	20	Nailing Brackets	13
Approved Vent Configurations	22	Overview	2
Approved Vent	21	Packing List.....	7
Clearances.....	10	Pilot Flame Inspection.....	42
Converting the Fireplace to Top Vent Configuration .	8	Extra Room Power Heat Duct.....	62
Corner Installations - Rear Vent Configuration	14	Raised Fireplaces.....	10
Corner Installations - Top Vent Configuration.....	15	Rear Vent Configuration with Horizontal Termination (no vertical rise).25	
Diffuser Plate Adjustment.....	24	Rear Vent Configuration with Horizontal Termination (with vertical rise)...26	
Dimensions	6	Rear Vent Configuration with Vertical Termination....27	
Drywall Installation.....	32	Recommended Installation Procedure.....	7
Electrical Connection (required)	18	Remote Control Receiver Installation (2 Options)....	61
Exhaust Restrictor Adjustment	22	Restrictor Position	22
Facing Overview.....	33	Safety Precautions	4
Facing Requirements.....	32	Starting the Pilot Flame.....	42
Features	6	Steps for Finalizing the Installation.....	42
Fireback Installation.....	56	Termination Requirements	30
Fireplace Placement Requirements.....	10	Thick Facing Installation with FPX Arched Faces	37
Fuel.....	16	Thick Facing Installation	36
Gas Inlet Pressure.....	16	Thin Facing Installation.....	34
Gas Line Connection.....	16	Top Vent Configuration with Horizontal Termination ..28	
Gas Line Location.....	16	Top Vent Configuration with Vertical Termination.....29	
Gas Line Requirements.....	16	Top Vent or Rear Vent Configuration	8
Glass Frame Removal and Installation	45	Vent Clearances.....	20
Grill Installation	60	Vent Installation	21
Hearth Requirements.....	31	Vent Requirements.....	20
Heating Specifications.....	6	Wall Switch Installation.....	19
Index	68	Wall Switch or Thermostat Installation.....	19
Installation Example - Build-In with Horizontal Termination.....	41	Wiring Diagram (Millivolt System).....	19
Installation Options.....	6		
Installation Overview	7		
Intake Restrictor Adjustment.....	23		
Listing Details.....	2		
Log Set Installation.....	47		
LP Conversion Instructions.....	52		
Mantel Requirements	39		