

# 564 Diamond-Fyre™ Fireplace

Tested and Listed by



OMNI-Test Laboratories, Inc.  
Beaverton, Oregon  
Report # 028-F-80c-5  
ANSI Z21.88b-2003

- **Built-In Direct-Vent Fireplace**
- **Natural Gas or Propane**
- **Residential or Mobile Home**

**WARNING:** If the information in these instructions is not followed exactly, a fire or explosion may result causing property damage, personal injury or loss of life.

- Do not store or use gasoline or other flammable vapors and liquids in the vicinity of this or any other appliance.

#### WHAT TO DO IF YOU SMELL GAS

- Do not try to light any appliance.
- Do not touch any electrical switch; do not use any phone in your building.
- Immediately call gas supplier from a neighbor's phone. Follow the gas supplier's instructions.
- If you cannot reach your gas supplier, call the fire department.
- Installation and service must be performed by a qualified installer, service agency or the gas supplier.

This appliance may be installed in an aftermarket permanently located, manufactured home (USA only) or mobile home, where not prohibited by local codes.

This appliance is only for use with the type(s) of gas indicated on the rating plate. A conversion kit is supplied with the appliance.

#### **WARNING**



**HOT GLASS WILL  
CAUSE BURNS.  
DO NOT TOUCH GLASS  
UNTIL COOLED.  
NEVER ALLOW CHILDREN  
TO TOUCH GLASS.**

## Installation Manual

**Installer:** After installation give this manual to the homeowner and explain operation of this heater.



**TRAVIS INDUSTRIES  
HOUSE OF FIRE**

[www.travisproducts.com](http://www.travisproducts.com)

4800 Harbour Pointe Blvd. SW  
Mukilteo, WA 98275

**Overview**

This manual details the installation requirements for the 564 DF fireplace. For operating and maintenance instructions, refer to the 564 DF Owner's Manual (part # 100-01249).

**Listing Details**

This appliance was listed by OMNI Test Labs to ANSI Z21.88 - report # 028-F-80c-5. The listing label is attached to the appliance near the gas control valve. A copy is shown to the right.

**IAS (ICBO) Approval**

This appliance was listed by OMNI Test Labs - IAS # TL130.

**Massachusetts Approval**

This manual has been submitted to the Massachusetts Board of State Examiners of Plumbers and Gas Fitters

**National Fireplace Institute**



**NATIONAL FIREPLACE INSTITUTE**  
**NFI**  
**CERTIFIED**  
[www.nficertified.org](http://www.nficertified.org)

We suggest that our gas hearth products be installed and serviced by professionals who are certified in the U.S. by the National Fireplace Institute® (NFI) as NFI Gas Specialists.

MINIMUM CLEARANCES TO COMBUSTIBLES		HI	LOW	L.P.	N.G.
Fireplace to Adjacent Wall	1" (26 mm)	20,500	5,100 (N.G.)	11"	5.5"
Wood Floor Beneath Fireplace	0" (0 mm)	20,500	4,200 (L.P.)	13"	7"
Back to Enclosure	0.5" (13 mm)	20,500	8,700 (N.G.)	10"	3.5"
Top to Enclosure (from stand-offs)	0" (0 mm)		6,000 (L.P.)		
Sides to Enclosure					
Base of Fireplace to a 12" Mantel*					
(* See manual for other mantel depths)					
Input Rate (BTU/Hr)					
564 SS GS					
564 SS DF					
564 SS GS orifice size:	DMS 56 Front - 50 Back (N.G.)				
	DMS 67 Front - 1.1mm Back (L.P.)				
564 SS DF orifice size:	DMS 53 Center - 60 Sides (N.G.)				
	DMS 63 Center - 70 Sides (L.P.)				

**TRAVIS INDUSTRIES**  
**HOUSE OF FIRE**  
 4800 Harbour Pointe Blvd. SW  
 Mukilteo, WA 98275  
[www.travisproducts.com](http://www.travisproducts.com)

Electrical Rating: 115v, 1.5 Amps, 60 Hz

This appliance is equipped for use only at altitudes 0-2000 feet (0-610m) in the USA. In Canada, 0-4500 feet (0-1370m). For altitudes above 2000 feet, the vent configuration, orifice, or combination of both may need to be changed. See the owner's manual for information on making these changes.

Approved by Omni for commercial installation.

Manufacture:  2010  Jan.  Apr.  Jul.  Oct.  
 Date:  2011  Feb.  May  Aug.  Nov.  
 2012  Mar.  Jun.  Sep.  Dec.

Tested to: ANSI Z21.88a-2007/CSA 2.33a-2007 "Vented Gas Fireplace Heaters", CGA 2.17-M91, UL 307b-1995 "Gas Burning Heating Appliances for Manufactured Homes", and CSA P4.1-02.

This appliance must be installed in accordance with local codes, if any; if none, follow the National Fuel Gas Code, ANSI Z223.1/NFPA 54, or National Gas and Propane Installation Codes, CSA B149.1.

This appliance must be installed in accordance with the current Standard CAN/CSA Z240 MH, Mobile Housing, in Canada or with the Manufactured Home Construction and Safety Standard, Title 24 CFR Part 3280, in the United States, or when such a standard is not applicable, ANS/INCBC'S RAZZ-1/NFPA 507A, Manufactured Home Installation Standard.

This vented gas fireplace heater is equipped at the factory for use with natural gas. If conversion to propane (LP) is desired, the optional factory conversion kit must be used.

This appliance is only for use with the type of gas indicated on the rating plate and may be installed in an aftermarket, permanently located, manufactured (mobile) home (USA only) where not prohibited by local codes. See owner's manual for details. This appliance is not convertible for use with other gases, unless a certified kit is used.

This vented gas fireplace heater is not for use with air fillers.

Keep burner and control compartment clean. See installation and operating instructions accompanying appliance.

This appliance must be properly connected to a venting system in accordance with the manufacturer's installation instructions. Use only approved coaxial direct vent system to vent this appliance to the exterior. See owner's manual for approved brands of venting.

**WARNING:** Improper installation, adjustment, alteration, service or maintenance can cause injury or property damage. Refer to the owner's information manual provided with this appliance. For assistance or additional information consult a qualified installer, service agency or the gas supplier.

**VENTED GAS FIREPLACE HEATER - NOT FOR USE WITH SOLID FUEL**

**CAUTION:** Hot while in operation. Do Not Touch. Severe burns may result. Keep children, clothing, furniture, gasoline and other liquids having flammable vapors away. Do not operate this appliance with glass removed, cracked or broken. Replacement of the panel(s) should be done by a licensed or qualified service person.

IGN 0625

## **Introduction**

Overview .....	2
Listing Details .....	2

## **Safety Precautions**

Safety Precautions .....	4
--------------------------	---

## **Features and Specifications**

Features .....	6
Installation Options .....	6
Heating Specifications .....	6
Dimensions .....	6

## **Installation**

Packing List .....	7
Additional Items Required .....	7
Installation Overview .....	7
Recommended Installation Procedure .....	7
Top Stand-Off Assembly .....	9
Converting the Fireplace to Top Vent Configuration .....	10
Fireplace Placement Requirements .....	12
Clearances .....	12
Raised Fireplaces .....	12
Min. Framing Dims. - Rear Vent Configuration .....	13
Min. Framing Dims. - Top Vent Configuration .....	14
Nailing Brackets .....	15
Corner Installations - Rear Vent Configuration .....	16
Corner Installations - Top Vent Configuration .....	17
Gas Line Requirements .....	18
Fuel .....	18
Gas Line Connection .....	18
Gas Inlet Pressure .....	18
Gas Line Location .....	18
Electrical Connection (required) .....	20
Optional Wall Switch or Thermostat Installation .....	21
Vent Requirements .....	22
Vent Clearances .....	22
Altitude Considerations .....	22
Approved Vent .....	23
Vent Installation .....	23
Approved Vent Configurations .....	24
Restrictor Position .....	24
Exhaust Restrictor Adjustment .....	24
Intake Restrictor Adjustment .....	25
Diffuser Plate Adjustment .....	26
Rear Vent Config. W Horizontal Term. (no vertical rise) .....	27
Rear Vent Config. W Horizontal Term. (w vertical rise) .....	28
Rear Vent Configuration with Vertical Termination .....	29
Top Vent Configuration with Horizontal Termination .....	30
Top Vent Configuration with Vertical Termination .....	31
Termination Requirements .....	32

## **Installation (continued)**

Hearth Requirements .....	33
Facing Requirements .....	34
Drywall Installation .....	34
Facing Overview .....	35
Optional Faceplates – Sizing Chart .....	35
Thin Facing Installation .....	36
Thick Facing Installation .....	38
Thick Facing Installation with FPX Arched Faces .....	39
Mantel Requirements .....	41
Install Example - Build-Out (Dog-House) w Hor. Term. ....	42
Install Example - Build-In w Hor. Term. ....	43

## **Finalizing the Installation**

Steps for Finalizing the Installation .....	44
Air Shutter Adjustment .....	45
Glass Frame Removal and Installation .....	46
Fireback Installation .....	48
Crushed Glass Installation .....	52
LP Conversion Instructions .....	53

## **Optional Equipment**

Grill Installation .....	57
GreenSmart™ Remote Control Installation .....	58

## **Index**

Index .....	70
-------------	----

## ***Safety Warnings:***

---

- Failure to follow all of the requirements may result in property damage, bodily injury, or even death.
- This unit must be installed by a qualified installer to prevent the possibility of an explosion.
- This appliance must be installed in accordance with all local codes, if any; if not, in U.S.A. follow ANSI Z223.1 and NFPA 54(88).
- A manufactured home (USA only) or mobile home OEM installation must conform with the Manufactured Home Construction and Safety Standard, Title 24 CFR, Part 3280, or, when such a standard is not applicable, the Standard for Manufactured Home Installations, ANSI/NCSBCS A225.1, or Standard for Gas Equipped Recreational Vehicles and Mobile Housing, CSA Z240.4. This appliance may be installed in Manufactured Housing only after the home is site located.
- All exhaust gases must be vented outside the structure of the living-area. Combustion air is drawn from outside the living-area structure. The venting must not be connected to a chimney flue serving a separate solid-fuel burning appliance.
- Notify your insurance company before hooking up this fireplace.
- The room heater should be inspected before use and at least annually by a qualified service person. More frequent cleaning may be required due to excessive lint from carpeting, bedding material, etc.
- The instructions in this manual must be strictly adhered to. Do not use makeshift methods or compromise in the installation. Improper installation will void the warranty and safety listing.
- This heater is approved for use with natural gas (NG) or propane (LP). Burning the incorrect fuel will void the warranty and safety listing and may cause an extreme safety hazard. Direct questions about the type of fuel used to your dealer. Check the label and flame adjust knob on the gas control valve.
- Contact your local building officials to obtain a permit and information on any installation restrictions or inspection requirements in your area.
- If the flame becomes sooty, dark orange in color, or extremely tall, do not operate the heater. Call your dealer and arrange for proper servicing.
- It is imperative that control compartments, screens, or circulating air passageways of the heater be kept clean and free of obstructions. These areas provide the air necessary for safe operation.
- Do not operate the heater if it is not operating properly in any fashion or if you are uncertain. Call your dealer for a full explanation of your heater and what to expect.
- Do not store or use gasoline or other flammable liquids in the vicinity of this heater.
- Do not operate if any portion of the heater was submerged in water or if any corrosion occurs.
- Do not place clothing or other flammable items on or near the heater. Because this heater can be controlled by a thermostat there is a possibility of the heater turning on and igniting any items placed on or near it.
- Light the heater using the built-in igniter. Do not use matches or any other external device to light your heater.
- Never remove, replace, modify or substitute any part of the heater unless instructions are given in this manual. All other work must be done by a trained technician. Don't modify or replace orifices.
- The viewing glass should be opened only for conducting service.
- Any safety screen or guard removed for servicing must be replaced prior to operating the heater.

***Safety Warnings (continued):***

---

- Allow the heater to cool before carrying out any maintenance or cleaning.
- Operate the heater according to the instructions included in this manual.
- If the main burners do not start correctly turn the gas off and call your dealer for service.
- This unit is not for use with solid fuel.
- Do not place anything inside the firebox (except the included components).
- Do not throw this manual away. This manual has important operating and maintenance instructions that you will need at a later time. Always follow the instructions in this manual.
- Do not touch the hot surfaces of the heater. Educate all children of the danger of a high-temperature heater. Young children should be supervised when they are in the same room as the heater.
- Due to the high temperature, the heater should be located out of traffic and away from furniture and draperies.
- Instruct everyone in the house how to shut gas off to the appliance and at the gas main shutoff valve. The gas main shutoff valve is usually next to the gas meter or propane tank and requires a wrench to shut off.
- **Travis Industries, Inc. grants no warranty, implied or stated, for the installation or maintenance of your heater, and assumes no responsibility of any consequential damage(s).**

## Installation Options

- Residential or Mobile Home
- Straight or Corner Placement
- Flush or Recessed Face
- Raised or Floor Placement
- Internal or External Chase
- Horizontal or Vertical Vent
- Bedroom Approved

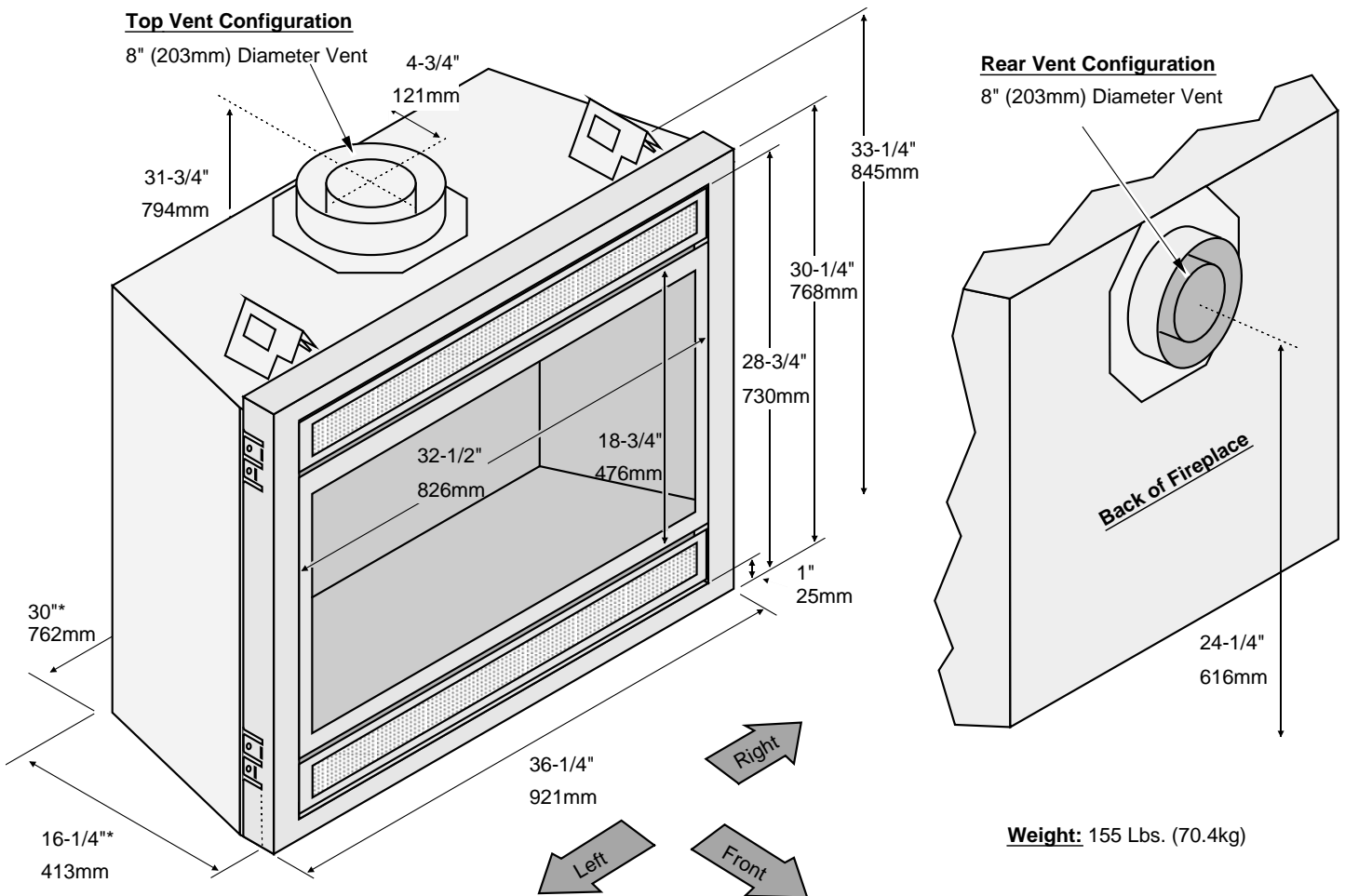
## Heating Specifications

	Natural Gas	Propane
Approximate Heating Capacity (in square feet)*	950	950
Maximum BTU Input Per Hour	20,500	20,500

\* Heating capacity will vary with floor plan, insulation, and outside temperature.

\*\* Efficiency rating is a product thermal efficiency rating determined under continuous operation independent of installed system.

## Dimensions



\* Includes the required 1/2" (13mm) clearance.

## Packing List

- Propane Conversion Kit
- Firestop (sku 250-00747)

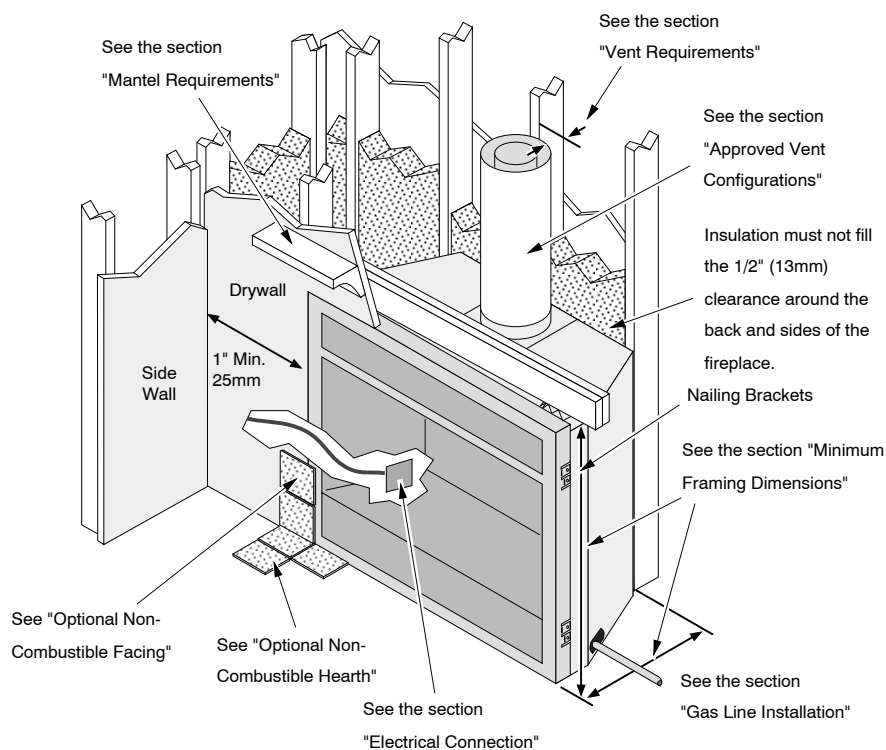
## Additional Items Required

- Direct Vent
- Gas Line Equipment (shutoff valve, pipe, etc.)
- Electrical Equipment (min. 14 gauge, grounded line)
- Crushed Glass (Platinum 94500580 – Bronze 94500581 – Cobalt 94500582)
- 564DF Firebacks (Stainless Steel 96100208 - Black Enamel 96100210 - Painted Black 96100211)

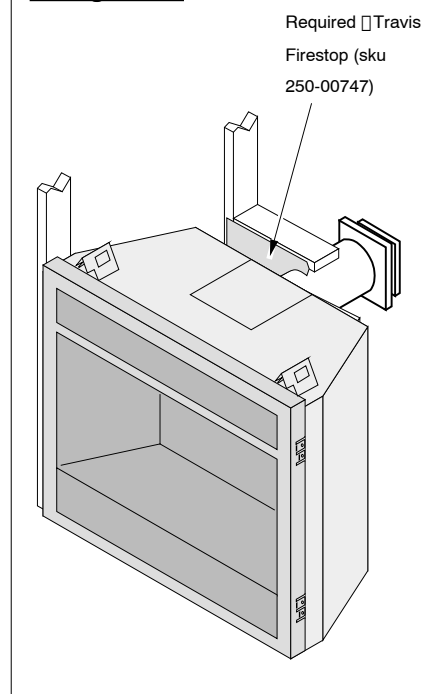
## Installation Overview

- All requirements below must be met.

### Top Vent Configuration



### Rear Vent Configuration



## Recommended Installation Procedure

- Frame the opening for the fireplace. Make sure to allow for vent installation.
- This fireplace is designed to accommodate 1/2" (13mm) or 5/8" (16mm) drywall (see "Nailing Brackets" on page 15 for details). Secure the fireplace to the framing.
- Install the vent, gas line and electrical hook-up.
- Install the drywall.
- Install the hearth (if applicable).
- Install the facing (if applicable).
- Install the mantel (if applicable).
- Finalize the installation (see page 44) and install the grill or face.

**Massachusetts Requirements**

NOTE: The following requirements reference various Massachusetts and national codes not contained in this document.

**Requirements for the Commonwealth of Massachusetts**

For all side wall horizontally vented gas fueled equipment installed in every dwelling, building or structure used in whole or in part for residential purposes, including those owned or operated by the Commonwealth and where the side wall exhaust vent termination is less than seven (7) feet above finished grade in the area of the venting, including but not limited to decks and porches, the following requirements shall be satisfied:

**Installation of Carbon Monoxide Detectors**

At the time of installation of the side wall horizontal vented gas fueled equipment, the installing plumber or gasfitter shall observe that a hard wired carbon monoxide detector with an alarm and battery back-up is installed on the floor level where the gas equipment is to be installed. In addition, the installing plumber or gasfitter shall observe that a battery operated or hard wired carbon monoxide detector with an alarm is installed on each additional level of the dwelling, building or structure served by the side wall horizontal vented gas fueled equipment. It shall be the responsibility of the property owner to secure the services of qualified licensed professionals for the installation of hard wired carbon monoxide detectors.

In the event that the side wall horizontally vented gas fueled equipment is installed in a crawl space or an attic, the hard wired carbon monoxide detector with alarm and battery back-up may be installed on the next adjacent floor level.

In the event that the requirements of this subdivision can not be met at the time of completion of installation, the owner shall have a period of thirty (30) days to comply with the above requirements; provided, however, that during said thirty (30) day period, a battery operated carbon monoxide detector with an alarm shall be installed.

**Approved Carbon Monoxide Detectors**

Each carbon monoxide detector as required in accordance with the above provisions shall comply with NFPA 720 and be ANSI/UL 2034 listed and IAS certified.

**Signage**

A metal or plastic identification plate shall be permanently mounted to the exterior of the building at a minimum height of eight (8) feet above grade directly in line with the exhaust vent terminal for the horizontally vented gas fueled heating appliance or equipment. The sign shall read, in print size no less than one-half (1/2) inch in size, "GAS VENT DIRECTLY BELOW. KEEP CLEAR OF ALL OBSTRUCTIONS".

**Inspection**

The state or local gas inspector of the side wall horizontally vented gas fueled equipment shall not approve the installation unless, upon inspection, the inspector observes carbon monoxide detectors and signage installed in accordance with the provisions of 248 CMR 5.08(2)(a)1 through 4.

**Exemptions**

The following equipment is exempt from 248 CMR 5.08(2)(a)1 through 4:

- The equipment listed in Chapter 10 entitled "Equipment Not Required To Be Vented" in the most current edition of NFPA 54 as adopted by the Board; and
- Product Approved side wall horizontally vented gas fueled equipment installed in a room or structure separate from the dwelling, building or structure used in whole or in part for residential purposes.

**MANUFACTURER REQUIREMENTS****Gas Equipment Venting System Provided**

When the manufacturer of Product Approved side wall horizontally vented gas equipment provides a venting system design or venting system components with the equipment, the instructions provided by the manufacturer for installation of the equipment and the venting system shall include:

- Detailed instructions for the installation of the venting system design or the venting system components; and
- A complete parts list for the venting system design or venting system.

**Gas Equipment Venting System NOT Provided**

When the manufacturer of a Product Approved side wall horizontally vented gas fueled equipment does not provide the parts for venting the flue gases, but identifies "special venting systems", the following requirements shall be satisfied by the manufacturer:

- The referenced "special venting system" instructions shall be included with the appliance or equipment installation instructions; and
- The "special venting systems" shall be Product Approved by the Board, and the instructions for that system shall include a parts list and detailed installation instructions.

A copy of all installation instructions for all Product Approved side wall horizontally vented gas fueled equipment, all venting instructions, all parts lists for venting instructions, and/or all venting design instructions shall remain with the appliance or equipment at the completion of the installation.

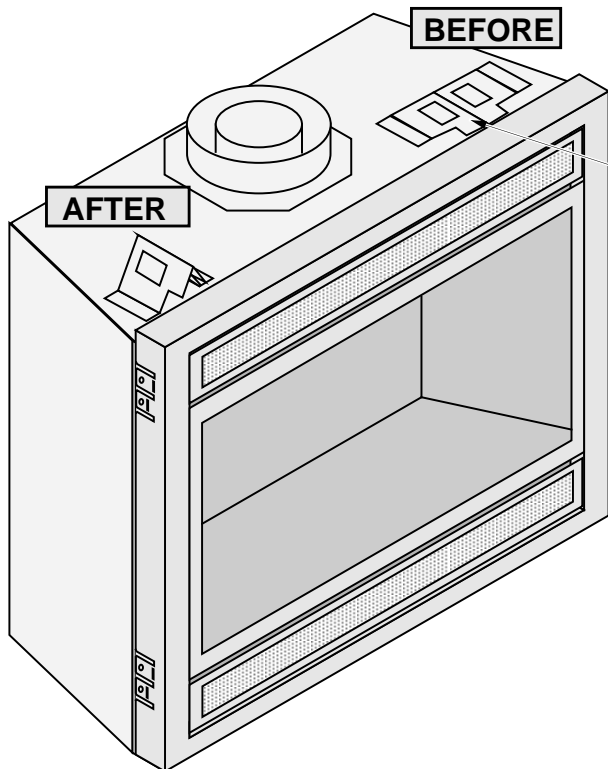
See Gas Connection section for additional Commonwealth of Massachusetts requirements.



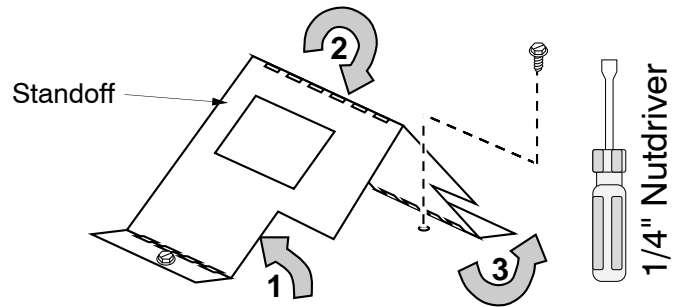
## Top Stand-Off Assembly

The top stand-offs must be assembled prior to installation.

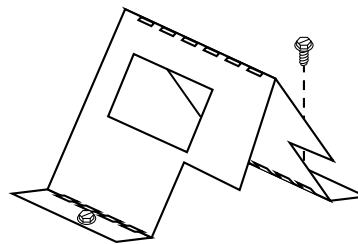
**Warning:** You must follow the instructions below to elevate both standoffs. Failure to do so will result in an extreme fire hazard.



The standoffs are shipped in the flat position. Make sure to follow the instructions below before installing the fireplace.



- a) Bend the standoff in the numbered sequence shown above.
- b) Remove the screw below the standoff.



- c) Replace the screw to secure the standoff.

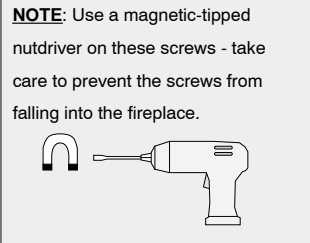
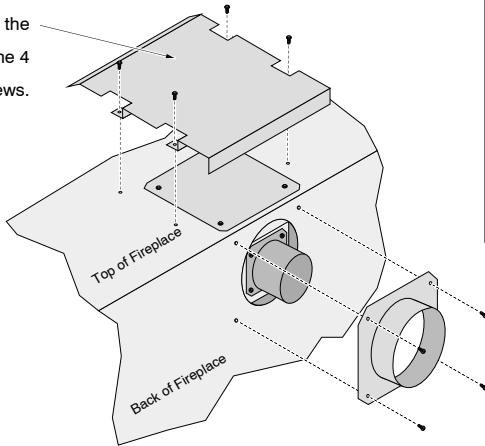
## Top Vent or Rear Vent Configuration

This appliance is shipped in the rear vent configuration. To change to the top vent configuration, follow the directions below.

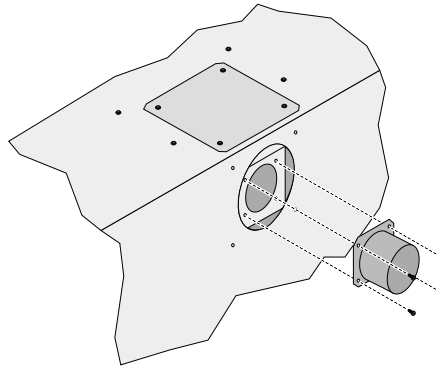
**NOTE:** the vent configuration affects several aspects of installation (framing, maximum vent rise, maximum vent run). Make sure the vent configuration is correct prior to installation. You may wish to configure the diffuser when changing the vent configuration.

### Converting the Fireplace to Top Vent Configuration

Remove and discard the heat shield. Replace the 4 removed screws.

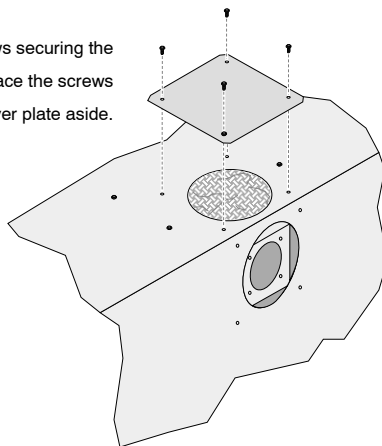


Remove the 4 screws securing the outer flue assembly. Place the screws and assembly aside.

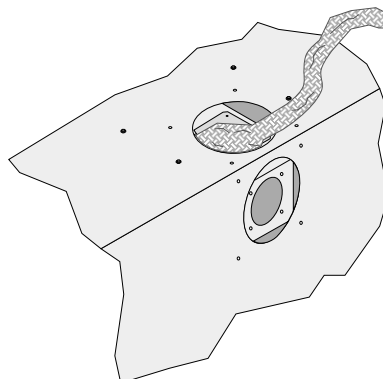


Remove the 4 screws securing the inner flue assembly. Place the screws and assembly aside.

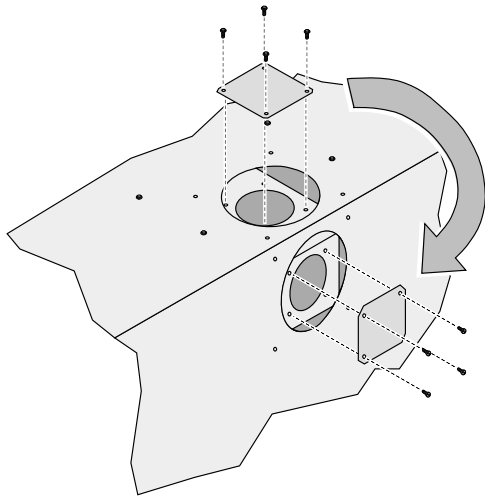
Remove the 4 screws securing the intake cover plate. Place the screws and cover plate aside.



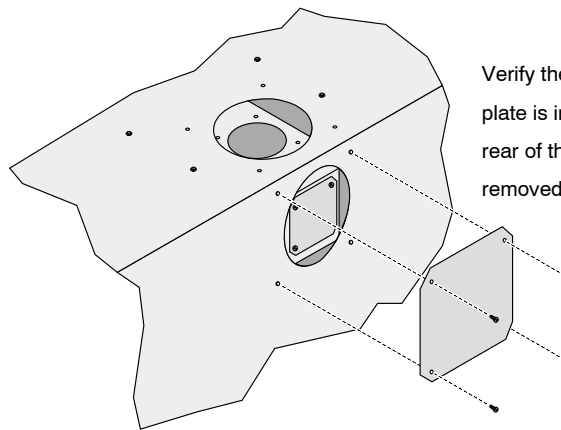
**Remove and discard the insulation found below the large cover plate.**



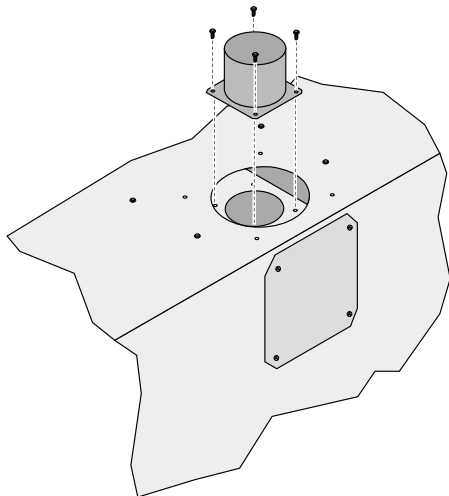
## Converting the Fireplace to Top Vent (continued)



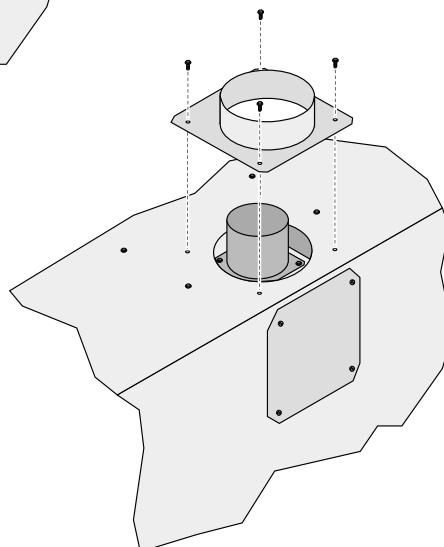
Remove the 4 screws securing the exhaust cover plate. Verify the gasket on the cover plate is in place, then attach it to the rear-facing exhaust port with the same screws.



Verify the gasket on the intake cover plate is in place, then attach it to the rear of the fireplace using the screws removed earlier.



Verify the gasket on the inner flue assembly is in place, then attach it to the upward-facing exhaust port using the screws removed earlier.



Verify the gasket on the outer flue assembly is in place, then attach it to the top of the fireplace using the screws removed earlier.

### ***Fireplace Placement Requirements***

---

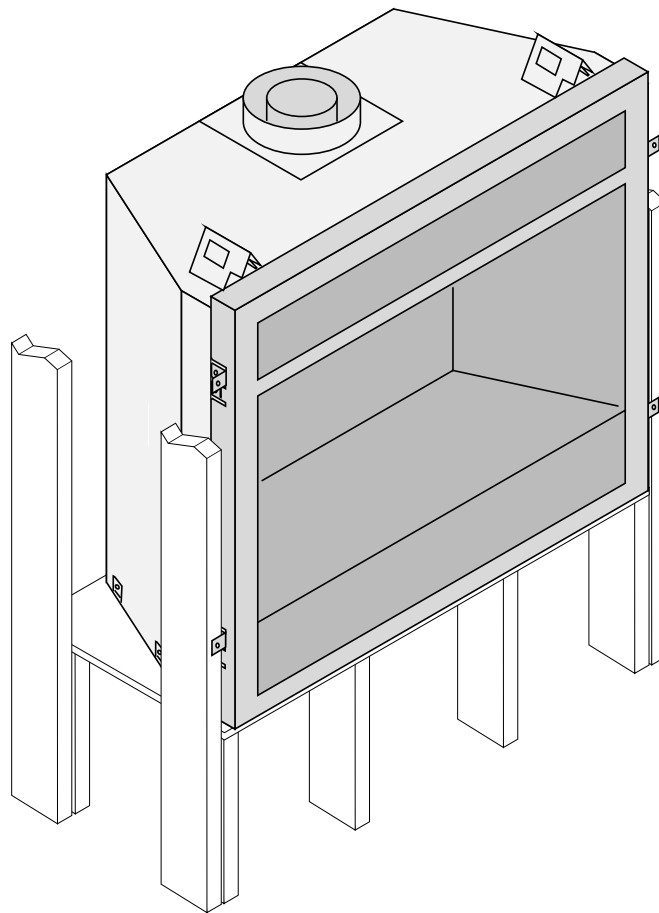
- The fireplace requires a 1/2" (13mm) clearance from the angled sides and back of the fireplace to the framing members. No material (insulation, framing, etc.) may be placed into this area.
- Fireplace must be installed on a level surface capable of supporting the fireplace and vent
- Fireplace must be placed directly on wood or non-combustible surface (not on linoleum or carpet)
- This heater may be placed in a bedroom. Please be aware of the large amount of heat this appliance produces when determining a location.

### **Clearances**

- When installed, walls in front of the fireplace must be a minimum 1" (25mm) to the side of the fireplace.
- Due to the high temperature, the heater should be located out of traffic and away from furniture and draperies.
- Fireplace must be placed so the vents below and above the glass do not become blocked.

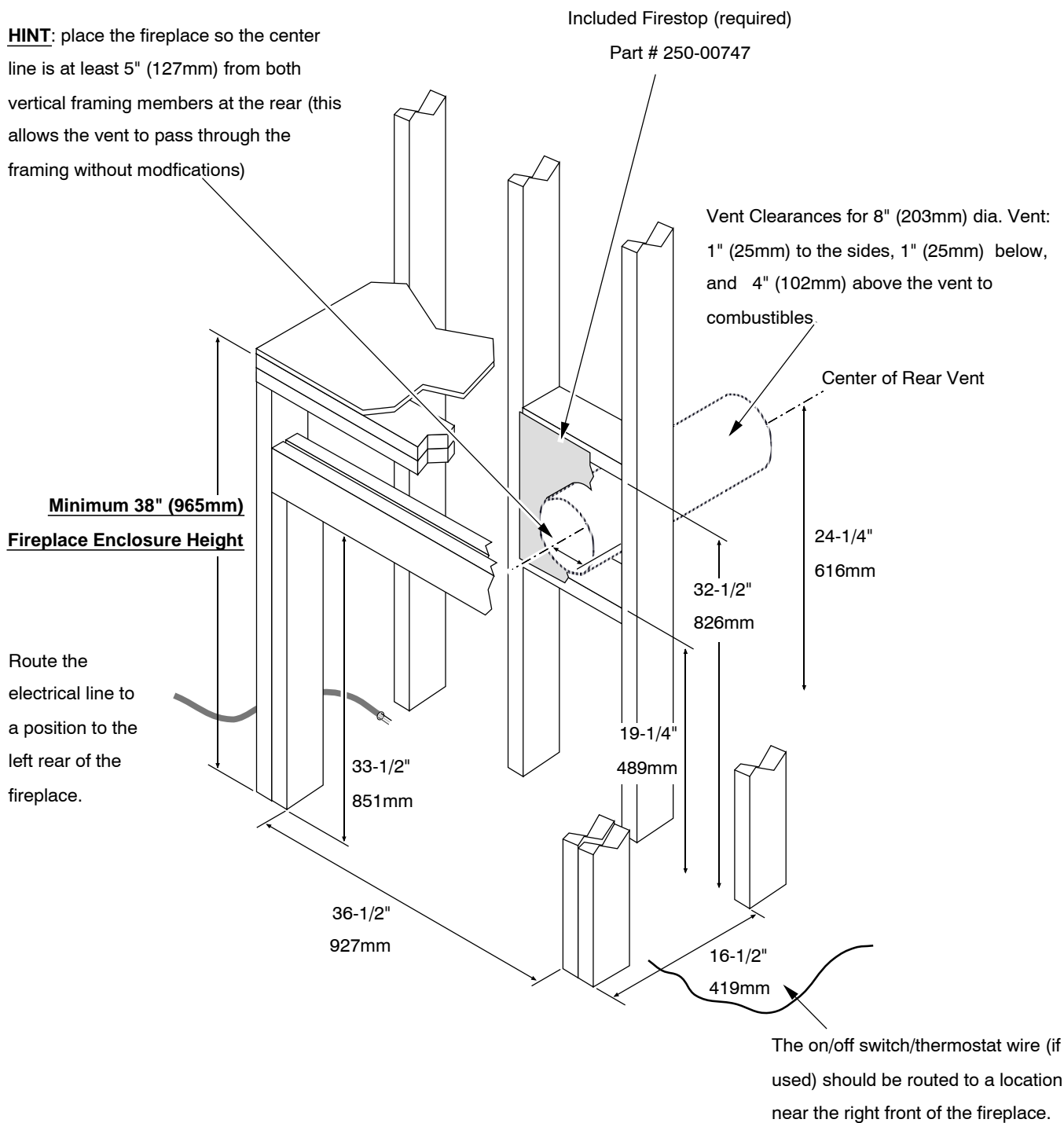
### **Raised Fireplaces**

- The fireplace (and hearth, if desired) may be placed on a platform designed to support the fireplace (155 Lbs.70 Kg) and vent.

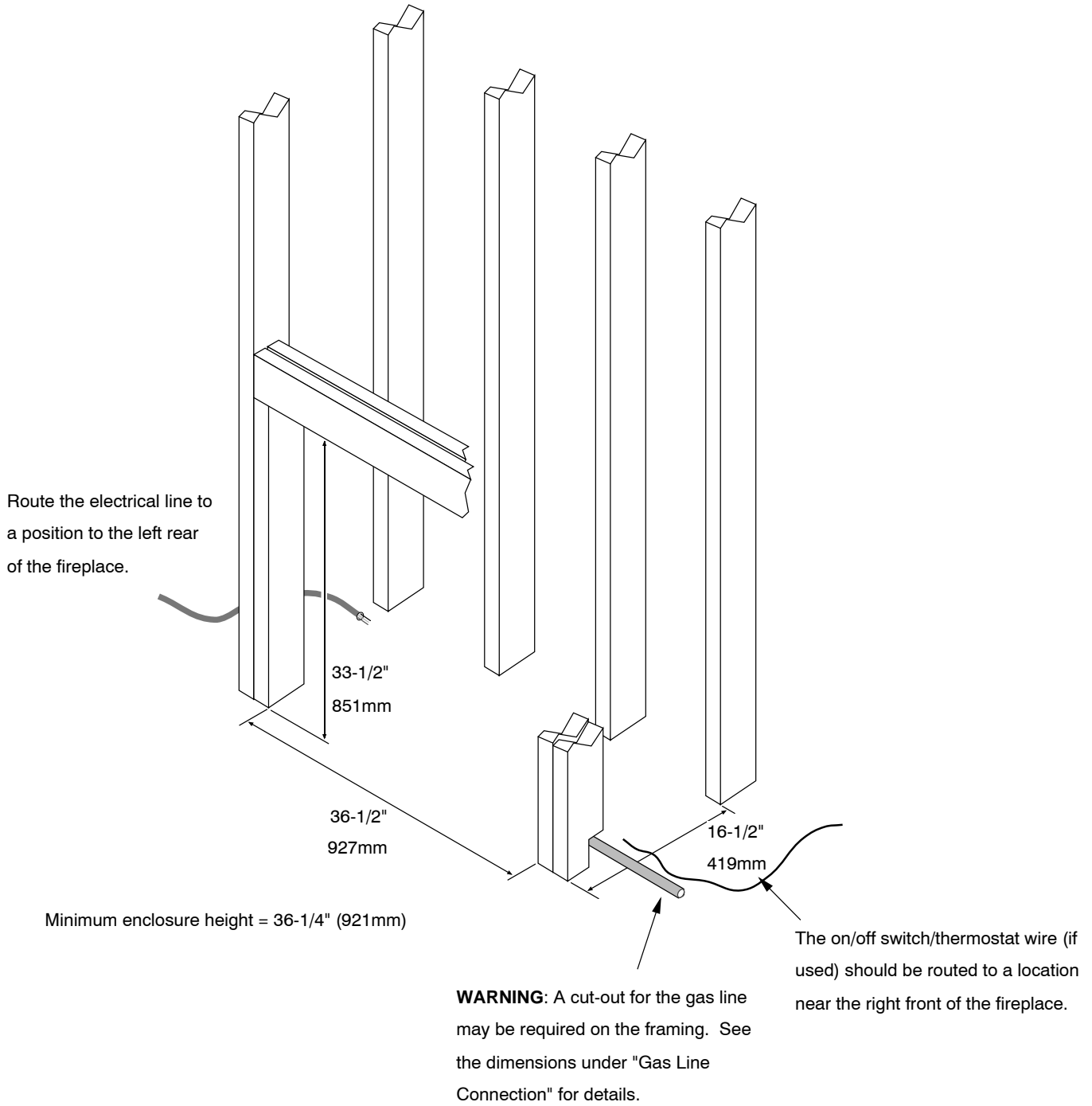


## Minimum Framing Dimensions - Rear Vent Configuration

**HINT:** place the fireplace so the center line is at least 5" (127mm) from both vertical framing members at the rear (this allows the vent to pass through the framing without modifications)



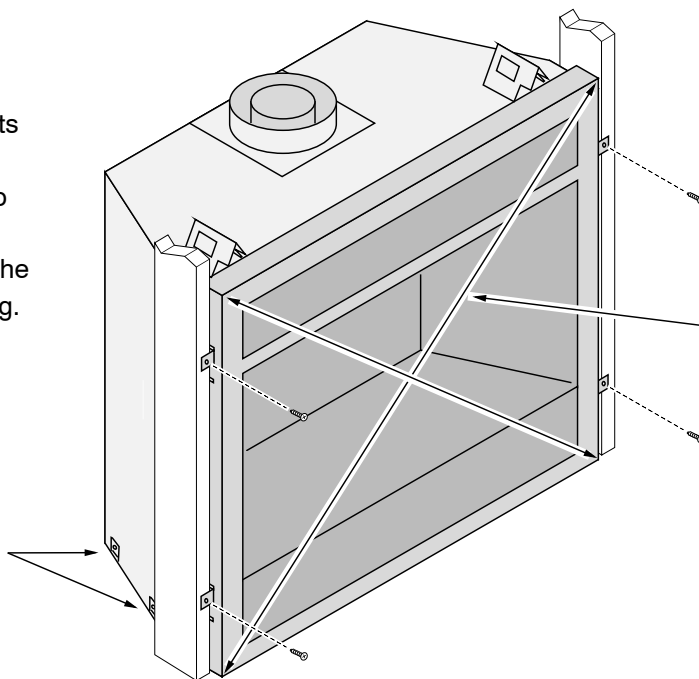
Minimum Framing Dimensions - Top Vent Configuration



## Nailing Brackets

There are four nailing brackets on the front of the fireplace. Follow the directions below to prepare the nailing brackets. Once in place, nail or screw the nailing brackets to the framing.

**NOTE:** Additional nailing brackets are provided along the base of the fireplace. Use these brackets if not using the front brackets.

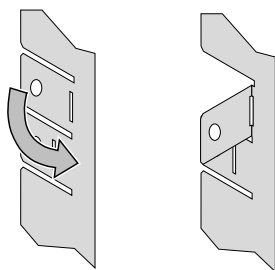


**WARNING:**  
Make sure the fireplace is square and plumb when placed in the framing. Measured corner-to-corner, the fireplace should be square (approx. 47-1/8" (1197mm) for each dimension). Use shims to insure the fireplace is square.

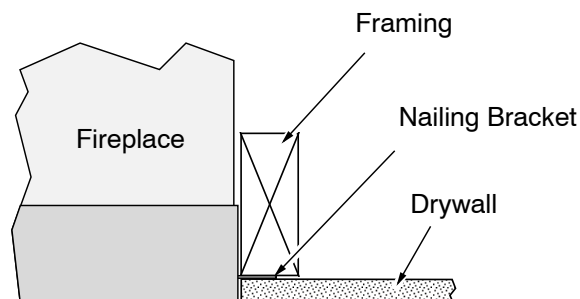
### 1/2" (13mm)

#### Drywall

For installations using 1/2" (13mm) facing fold the larger tab out 90° (use a screwdriver if necessary).

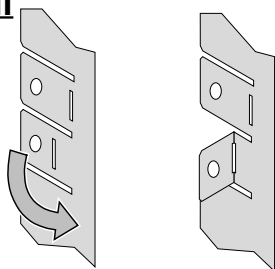


### TOP VIEW

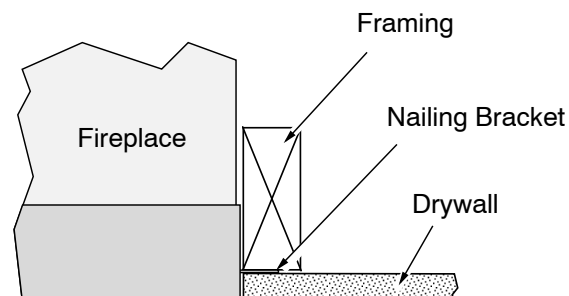


### 5/8" (0.625mm) Drywall

For installations using 5/8" (0.625mm) drywall fold the shorter tab out 90° (use a screwdriver if necessary).

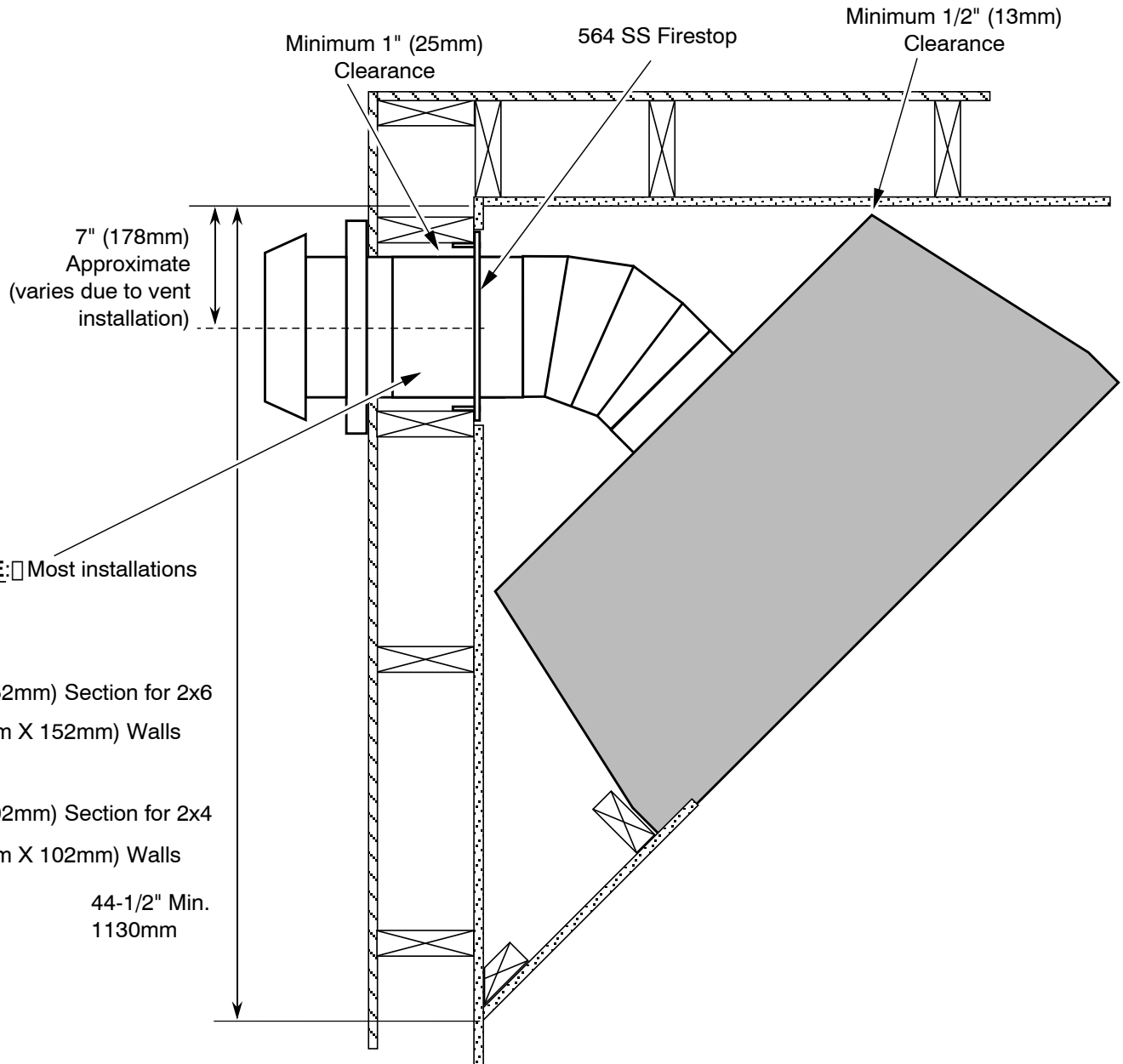


### TOP VIEW



Corner Installations - Rear Vent Configuration

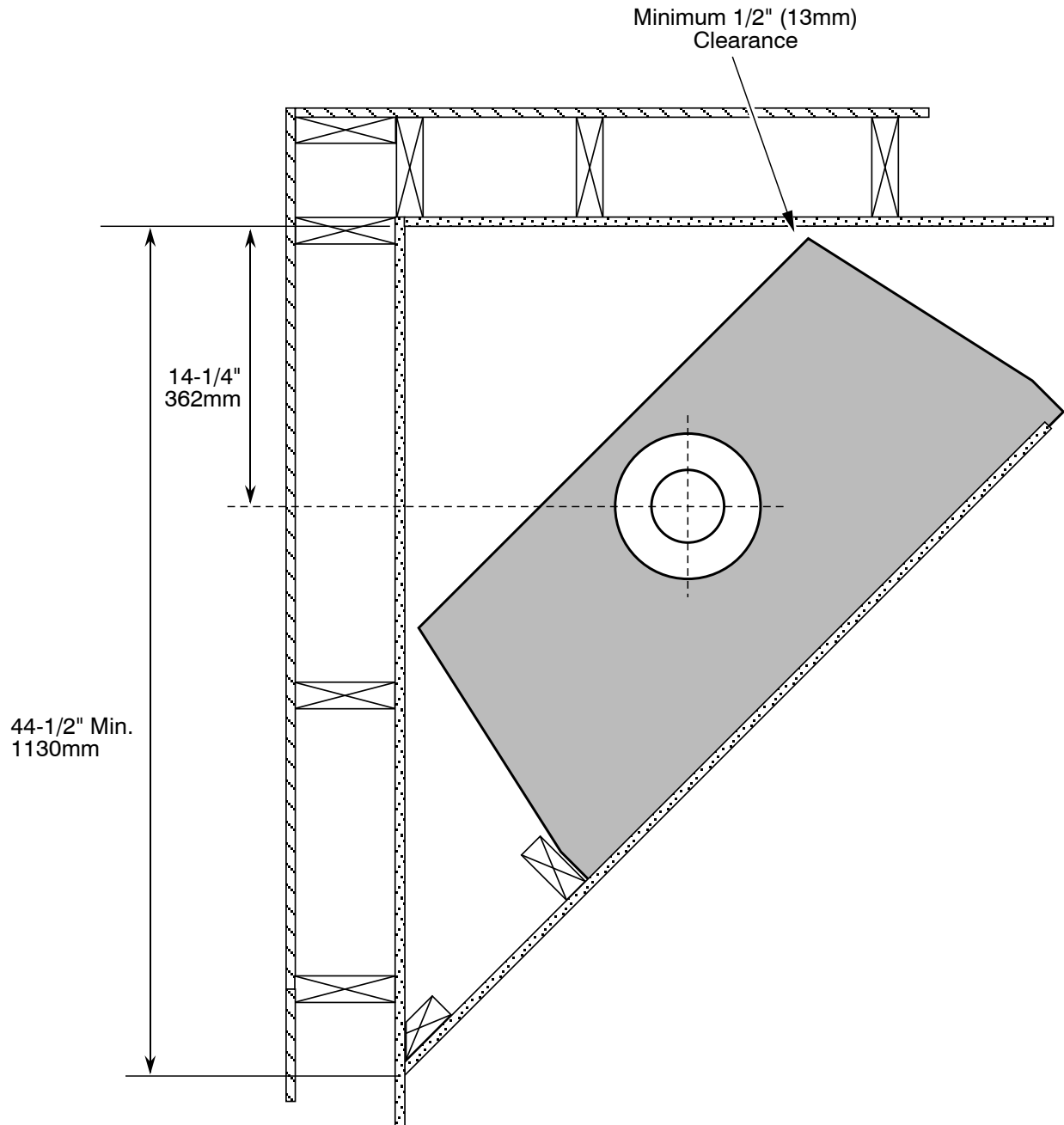
A typical 45° installation uses the framing dimensions shown in the illustration below (NOTE: all clearances still apply).





## Corner Installations - Top Vent Configuration

A typical 45° installation uses the framing dimensions shown in the illustration below (NOTE: all clearances still apply).



## Gas Line Requirements

### MASSACHUSETTS INSTALLATIONS - **WARNING:**

THIS PRODUCT MUST BE INSTALLED BY A LICENSED PLUMBER OR GAS FITTER WHEN INSTALLED WITHIN THE COMMONWEALTH OF MASSACHUSETTS.

#### OTHER MASSACHUSETTS CODE REQUIREMENTS:

- Flexible connector must not be longer than 36 inches.
- Shutoff valve must be a "T" handle gas cock.
- Only direct vent sealed combustion products are approved for bedrooms or bathrooms.
- Fireplace dampers must be removed or welded in the open position prior to the installation of a fireplace insert or gas log.
- A carbon monoxide (CO) detector is required in the same room as the appliance.

- The gas line must be installed in accordance with all local codes, if any; if not, follow ANSI 223.1 and the requirements listed below.
- The fireplace and gas control valve must be disconnected from the gas supply piping during any pressure testing of that system at test pressures in excess of 1/2 psig. For pressures under 1/2 psig, isolate the gas supply piping by closing the manual shutoff valve.
- Leak test all gas line joints and the gas control valve prior to and after starting the fireplace.

## Fuel

- This fireplace is designed either for natural gas or for propane (but not for both). Check the sticker on the top of the gas control valve to make sure the correct fuel is used.

## Gas Line Connection

- Installation must be performed by a qualified installer, service agency or the gas supplier (In Massachusetts a licensed plumber/gasfitter).

## Gas Inlet Pressure

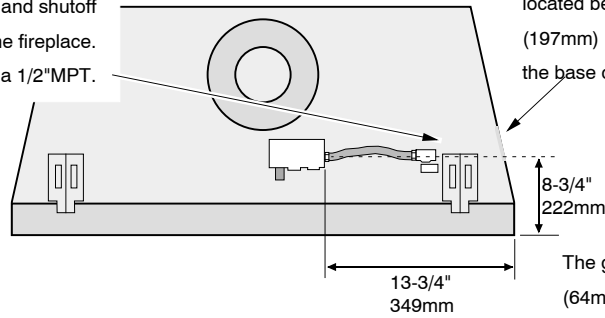
	Standard Input Pressure
Natural Gas	7" W.C. (1.74 kPA)
Propane	13" W.C. (2.73 kPA)

- If the pressure is not sufficient, make sure the piping used is large enough, the supply regulator is adequately adjusted, and the total gas load for the residence does not exceed the amount supplied.
- The supply regulator (the regulator that attaches directly to the residence inlet or to the propane tank) should supply gas at the suggested input pressure listed above. Contact the local gas supplier if the regulator is at an improper pressure.

## Gas Line Location

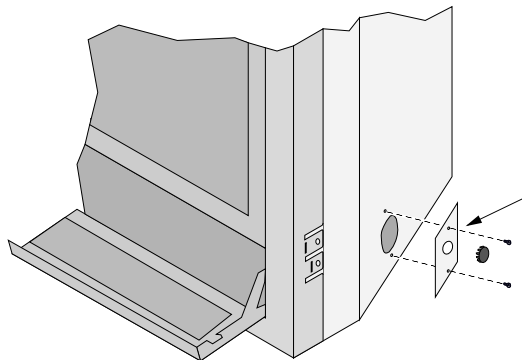
### Right Side Gas Inlet (preferred)

A 6" (152mm) flex tube and shutoff valve is included with the fireplace. The shutoff valve accepts a 1/2" MPT.



A 3" (76mm) high by 2" (51mm) wide opening is located behind the gas inlet cover plate. It is 7-3/4" (197mm) behind the front and 1-3/4" (44mm) above the base of the fireplace.

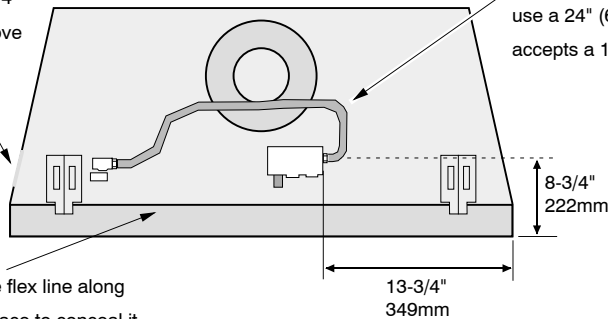
The gas inlet is located 2-1/2" (64mm) above the base of the fireplace.



You may remove this cover plate to install the gas line. The cover plate has a 7/8" (.0875mm) diameter hole (covered with a push plug) in line with the gas inlet on the gas control valve. By rotating the plate 180° the hole may be re-located. You may also secure the plate in a customized location using the self-drilling screws.

### Left Side Gas Inlet

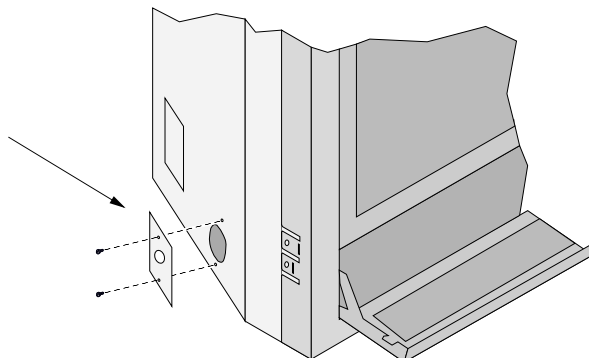
A 3" (76mm) high by 2" (51mm) wide opening is located behind the gas inlet cover plate. It is 4-3/4" (121mm) behind the front and 1-3/4" (44mm) above the base of the fireplace.



A 6" (152mm) flex tube and shutoff valve is included with the fireplace. You may wish to use a 24" (610mm) flex tube. The shutoff valve accepts a 1/2" MPT.

You may wish to route the flex line along the front edge of the fireplace to conceal it.

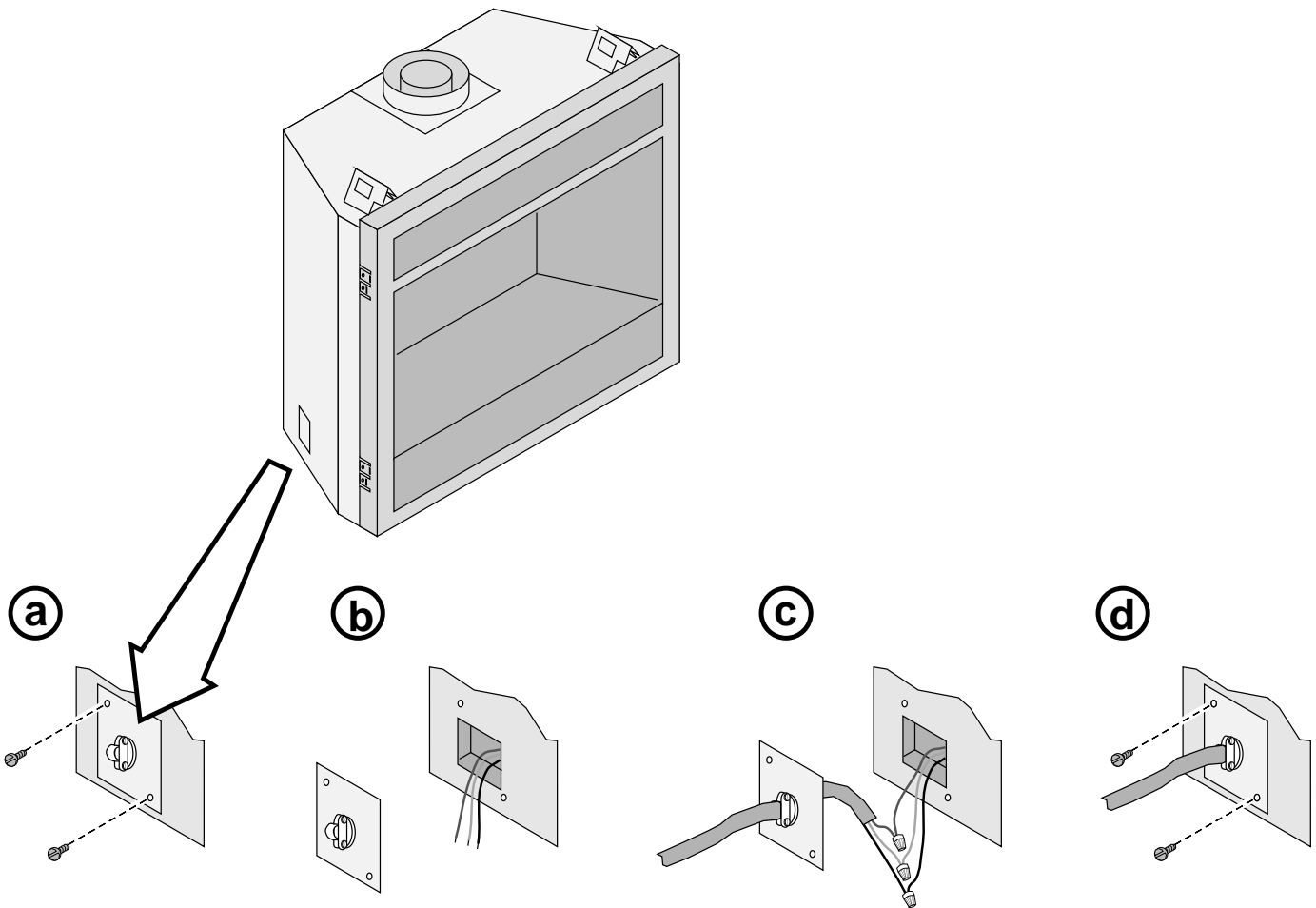
You may remove this cover plate to install the gas line. The cover plate has a 7/8" (0.875mm) diameter hole (covered with a push plug). By rotating the plate 180° the hole may be re-located. You may also secure the plate in a customized location using the self-drilling screws.



**Electrical Connection (required)**

- The electrical line to the grounded receptacle inside the fireplace must be installed by a qualified installer and must meet all local codes.
- Make sure the household breaker is shut off prior to working on any electrical lines.
- The appliance, when installed, must be electrically grounded in accordance with local codes or, in the absence of local codes, with the National Electrical Code, ANSI/NFPA 70, or the Canadian Electrical Code, CSA C22.1.
- The electrical line must be a min. 14 gauge, and supply 120 Volts at 60 Hz (2 Amps).

**Caution:** Label all wires prior to disconnection when servicing controls. Wiring errors can cause improper and dangerous operation.



## Optional Wall Switch or Thermostat Installation



Do not connect 110-120 VAC to the gas control valve or wiring system of this fireplace. The switch and wiring must be installed by a qualified installer.

This fireplace includes an optional wall switch (with wire) to operate the fireplace burner without accessing the internal on/off switch. A thermostat may be used instead.

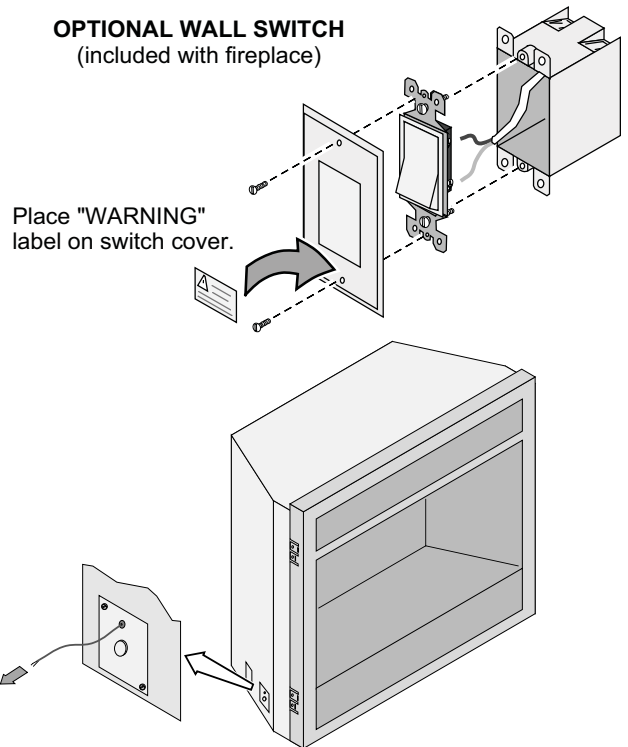
Route the wire from inside the fireplace, through the grommet on either side of the fireplace near the gas inlet (see at right) to the switch. The wall switch (or thermostat) may bypass the fireplace on/off switch or be installed in parallel or series configuration (see below).

**Caution:** Label all wires prior to disconnection when servicing controls. Wiring errors can cause improper and dangerous operation.

**Note:** When using a GreenSmart™ remote, use the receiver for on/off operation (do not use a wall switch or thermostat).

**Warning:** Make sure all wiring is secure and does not contact hot or moving components.

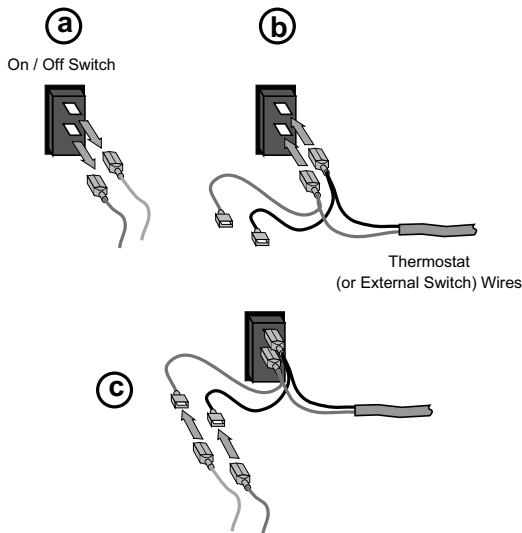
**OPTIONAL WALL SWITCH**  
(included with fireplace)



### Parallel Connection

	On / Off Switch <b>ON</b>	On / Off Switch <b>OFF</b>
Thermostat / External Switch <b>ON</b>	Heater is <b>ON</b>	Heater is <b>ON</b>
Thermostat / External Switch <b>OFF</b>	Heater is <b>ON</b>	Heater is <b>OFF</b>

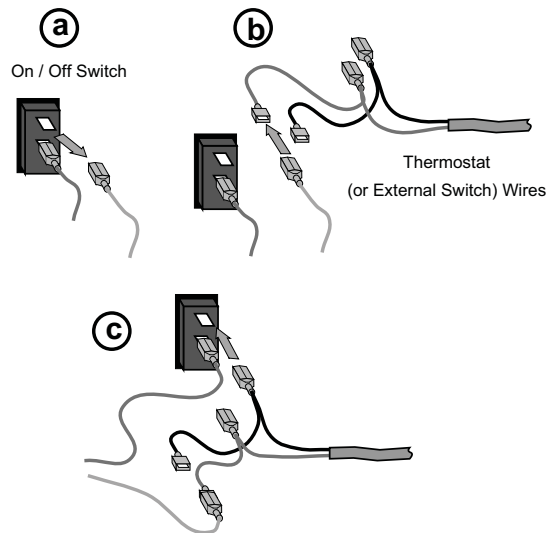
To wire the heater in parallel, follow the directions below:



### Series Connection

	On / Off Switch <b>ON</b>	On / Off Switch <b>OFF</b>
Thermostat / External Switch <b>ON</b>	Heater is <b>ON</b>	Heater is <b>OFF</b>
Thermostat / External Switch <b>OFF</b>	Heater is <b>OFF</b>	Heater is <b>OFF</b>

To wire the heater in series, follow the directions below:



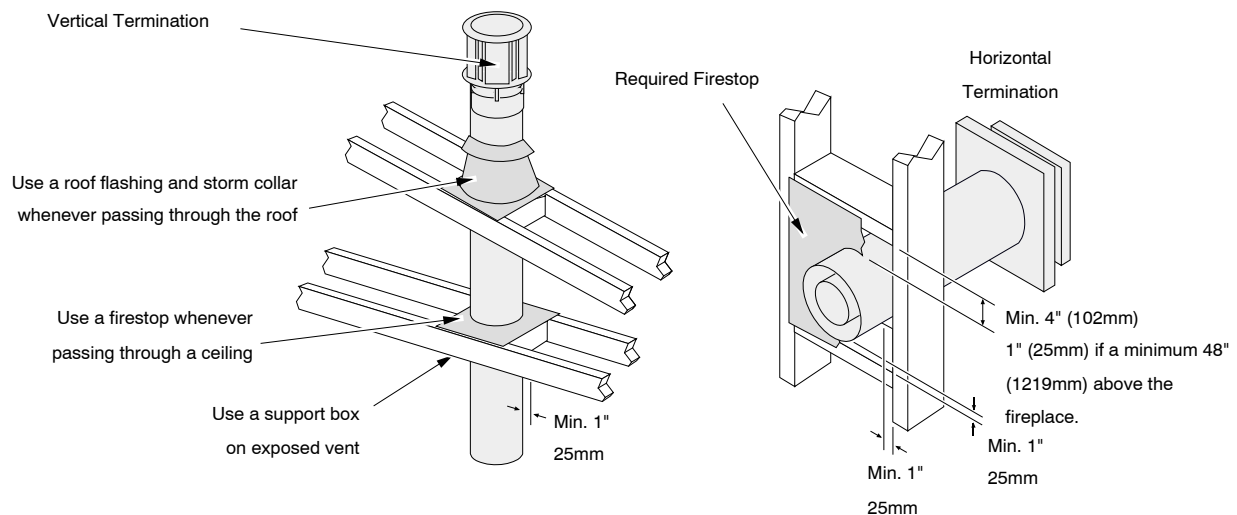
## Vent Requirements

- The gas appliance and vent system must be vented directly to the outside of the building, and never be attached to a chimney serving a separate solid fuel or gas-burning appliance. Each direct vent gas appliance must use its own separate vent system.
- In addition to the requirements listed here, follow the requirements provided with the vent.
- A firestop is required whenever the vent penetrates a wall, floor, or ceiling (passes through framing members). Horizontal vent less than 48" (1219mm) above the fireplace must use the Travis Firestop (sku 250-00747 - it incorporates a 4" (102mm) clearance above, 1" (25mm) clearance below and to the sides of the vent). Other penetrations only require a 1" (25mm) clearance and may use a standard firestop (make sure the required 1" (25mm) clearance is met).
- Always use the high-wind termination (if available from the vent manufacturer).

## Vent Clearances

- The vent must maintain the required clearance to combustibles to prevent a fire. Do not fill air spaces with insulation.

	Before 48" (1219mm) Rise	After 48" (1219mm) Rise
Sides	1" (25mm)	1" (25mm)
Above	4" (102mm)	1" (25mm)
Below Horizontal or 45° Section	1" (25mm)	1" (25mm)



## Altitude Considerations

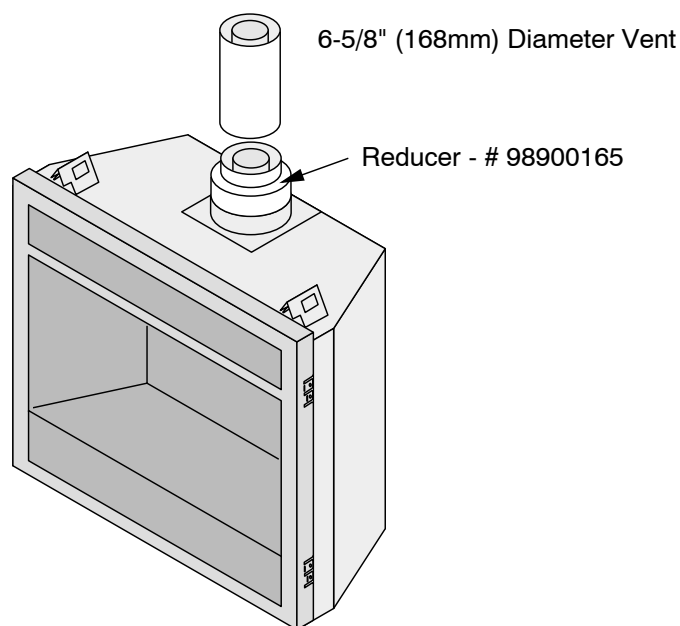
- This heater has been tested at altitudes ranging from sea level to 6,000 feet (1800M). In this testing we have found that the heater, with its standard orifice, burns correctly with just an air shutter adjustment.
- Failure to adjust the air shutter properly may lead to improper combustion which can create a safety hazard. Consult your dealer or installer if you suspect an improperly adjusted air shutter.

## Approved Vent

- Rear vent configurations use 8" (203mm) diameter Simpson Dura-Vent Model Direct-Vent Pro (or GS)\*.
- \* Other vent may be approved with this fireplace. Check with the vent manufacturer for details.
- Top vent configurations use 8" (203mm) or 6-5/8" (168mm) diameter Simpson Dura-Vent Direct-Vent Pro (or GS)\*. If using 6-5/8" (168mm) diameter vent, attach the 8" (203mm) to 6-5/8" (168mm) reducer (Travis part # 98900165) to the fireplace.

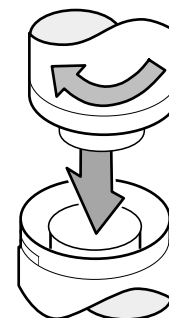
**NOTE:** When using 6-5/8" (168mm) diameter vent, make sure to accommodate the 4" (102mm) clearance above the vent for the first 48" (1219mm) of rise (see vent clearances on page 22). Standard firestops do not include this clearance.

- Always use the high-wind cap (or high-wind scone cap, part # 58DVA-HSCH or 46DVA-HSCH).
- Installation instructions for Simpson Dura-Vent may be found at [www.duravent.com](http://www.duravent.com)



## Vent Installation

- Slide the vent sections together and turn 1/4 turn until the sections lock in place.
- Screws are not required to secure the vent. However, three screws may be used to secure vent sections together if desired.
- High temperature sealant is recommended at the appliance starter section connection (use high-temperature silicone or Mill-Pac®).
- If disassembly is required, at time of re-assembly check to see if the vent creates a tight fit. If it does not, apply high temperature sealant to the joints of the affected sections.
- Horizontal sections require a 1/4" (6mm) rise every 12" (305mm) of travel
- Horizontal sections require non-combustible support every three feet (e.g.: plumbing tape)



## Approved Vent Configurations

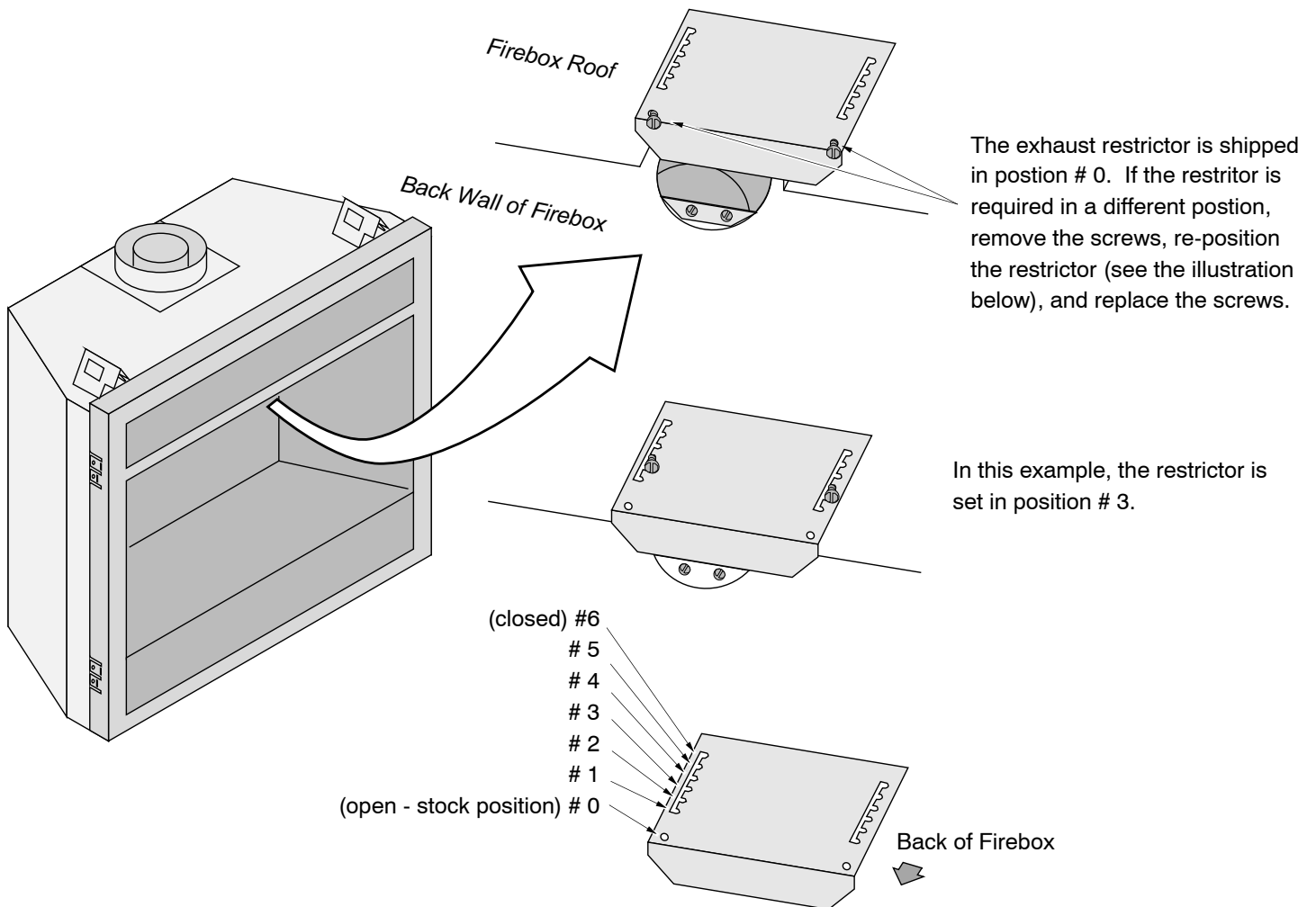
### Restrictor Position

- Intake and exhaust restrictors are built into the appliance to adjust the flow rate of intake air and exhaust gases. Depending upon the vent configuration, you may be required to adjust the restrictor positions. The charts for acceptable vent configurations detail the correct vent restrictor positions.

### Exhaust Restrictor Adjustment



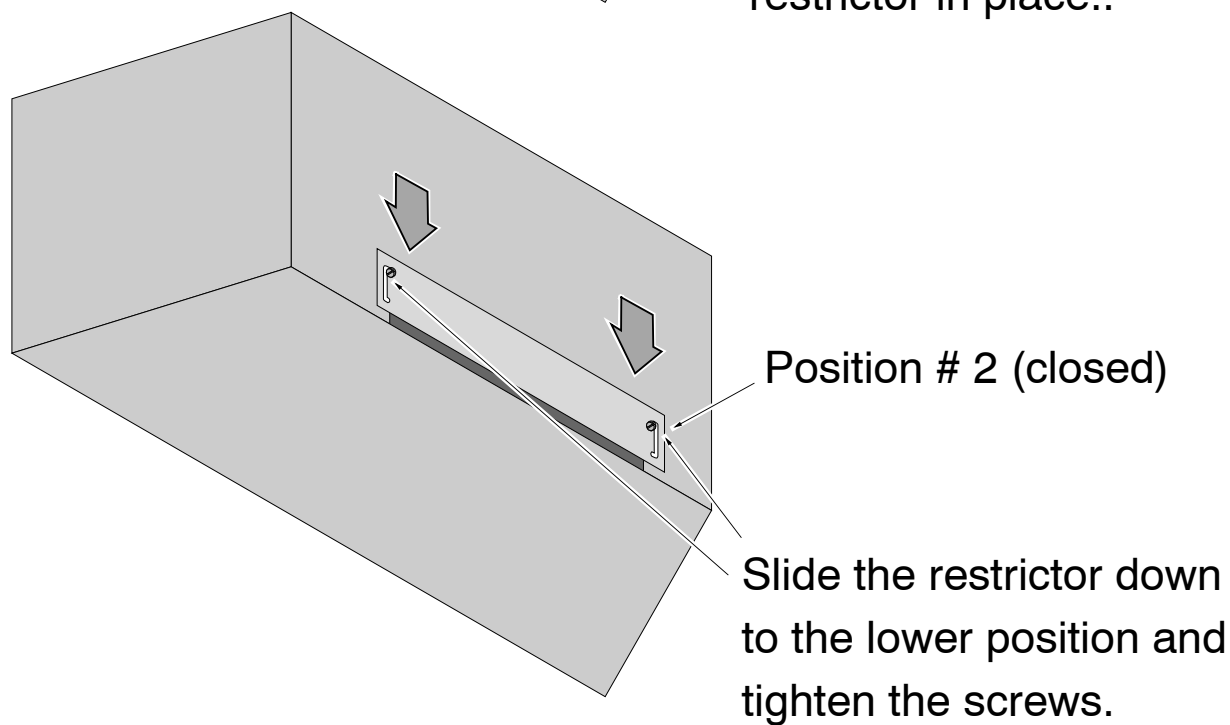
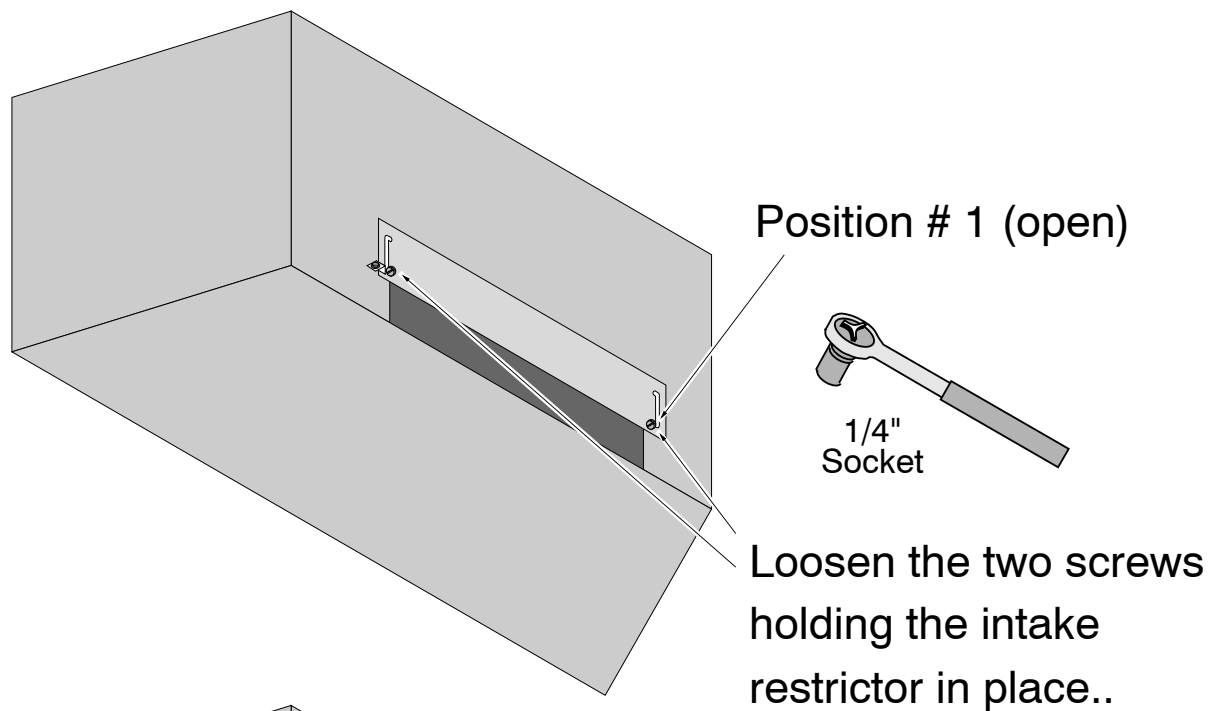
If the diffuser is required to be in position # 2, you may wish to adjust the diffuser while the exhaust restrictor is removed.





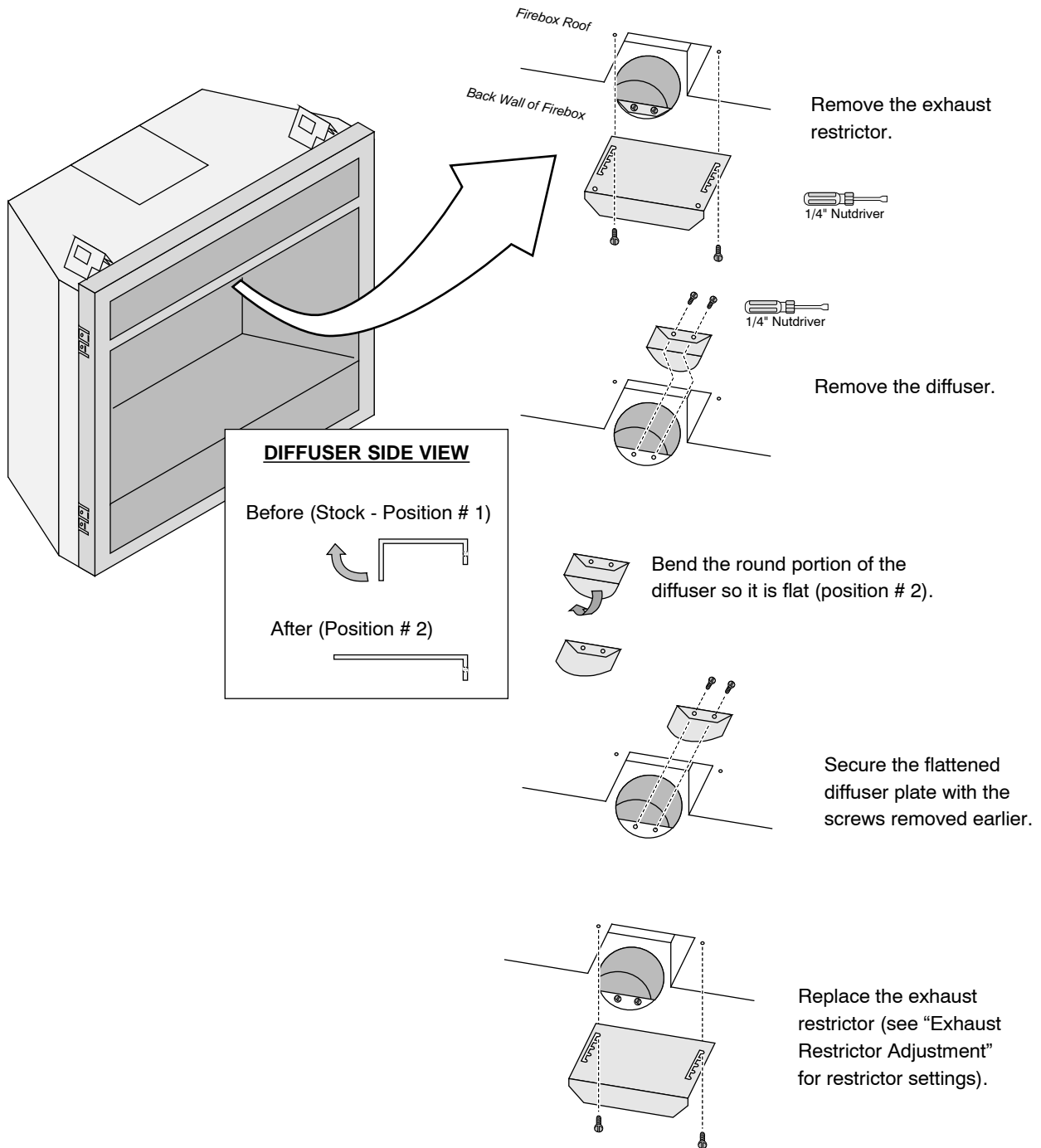
## Intake Restrictor Adjustment

To access the intake restrictor, remove the glass tray (see page 53). The intake restrictor is located along the back wall of the firebox. See the illustration below for details on adjusting the restrictor.



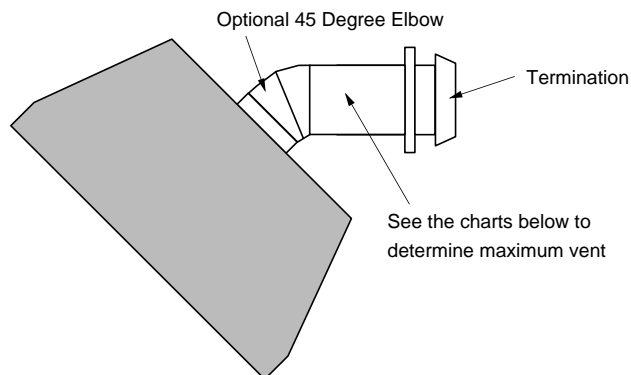
**Diffuser Plate Adjustment**

Certain vent configurations require the diffuser plate to be adjusted (refer to the approved vent configuration charts for details). Position # 1 is stock (bent). Position # 2 is flattened. See the directions below to change the diffuser to position #2.



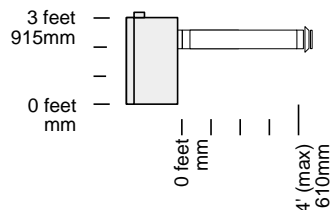
## Rear Vent Configuration with Horizontal Termination (no vertical rise)

- The termination must fall within the shaded area shown in the chart. Use the indicated restrictor and diffuser positions.



### NG Applications

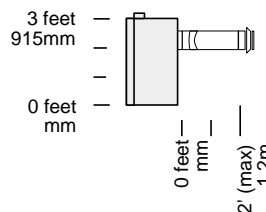
#### Vent with No 45° Elbow



- Exhaust Restrictor: Remove the exhaust restrictor and replace the screws.
- Intake Restrictor # 1 (stock)
- Diffuser Position # 1 (stock)

- Min. 4" (102mm) Horizontal Section
- Max. 48" (1.2m) Horizontal Section(s)

#### Vent with 1 45° Elbow

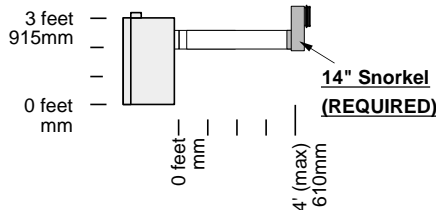


- Exhaust Restrictor: Remove the exhaust restrictor and replace the screws.
- Intake Restrictor # 1 (stock)
- Diffuser Position # 1 (stock)

- Min. 4" (102mm) Horizontal Section
- Max. 24" (610mm) Horizontal Section(s)

### LP Applications

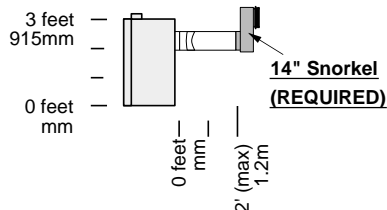
#### Vent with No 45° Elbow



- Exhaust Restrictor: Remove the exhaust restrictor and replace the screws.
- Intake Restrictor # 1 (stock)
- Diffuser Position # 1 (stock)

- Min. 4" (102mm) Horizontal Section
- Max. 48" (1.2m) Horizontal Section(s)

#### Vent with 1 45° Elbow

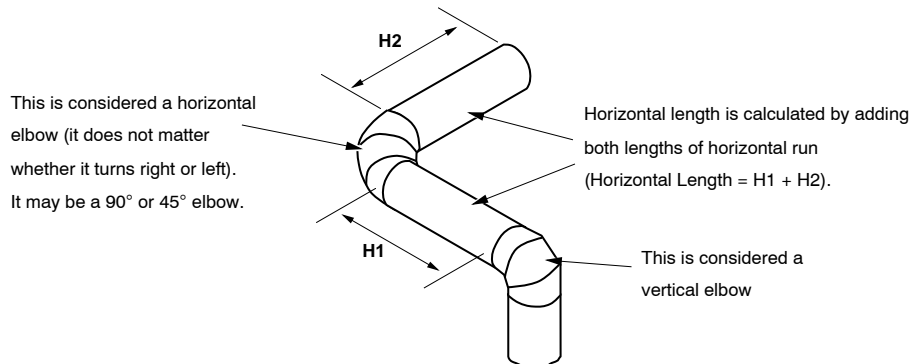
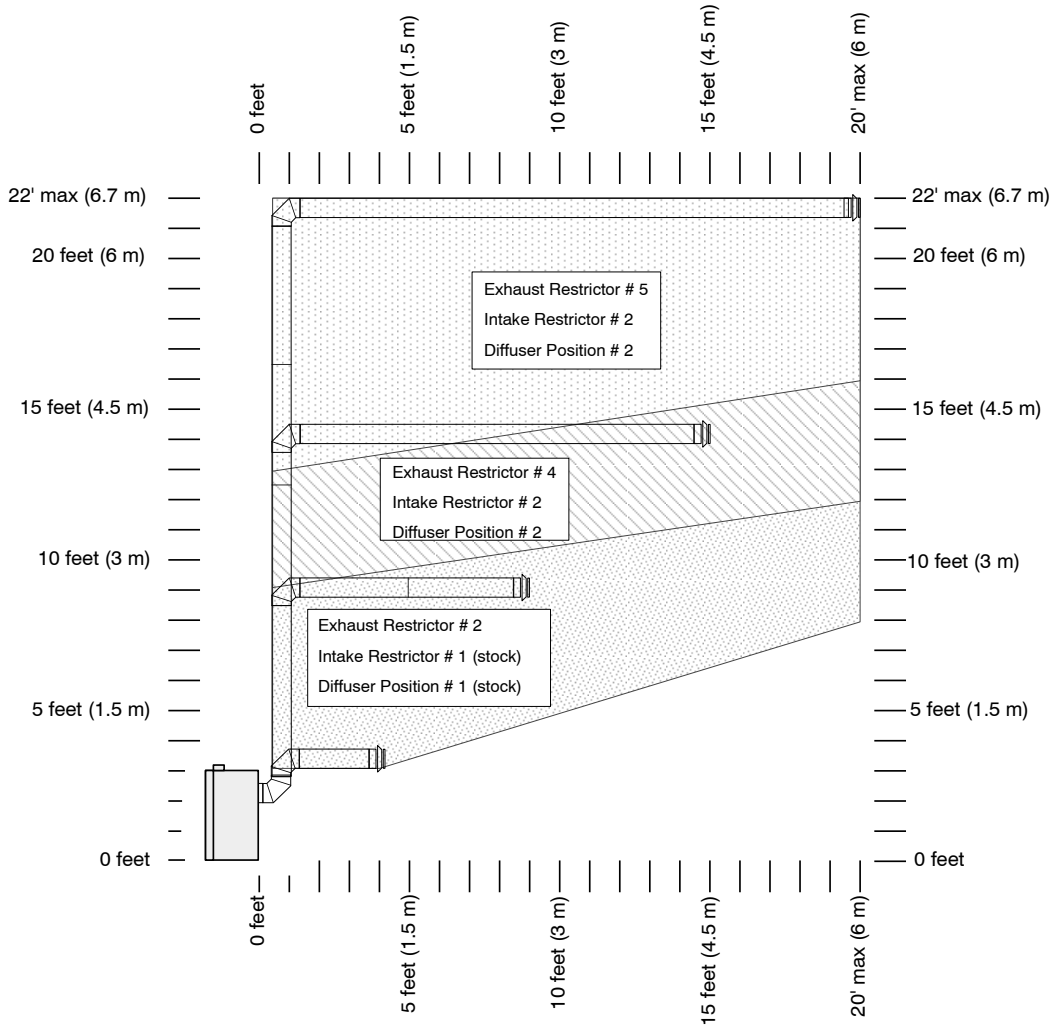


- Exhaust Restrictor: Remove the exhaust restrictor and replace the screws.
- Intake Restrictor # 1 (stock)
- Diffuser Position # 1 (stock)

- Min. 4" (102mm) Horizontal Section
- Max. 24" (610mm) Horizontal Section(s)

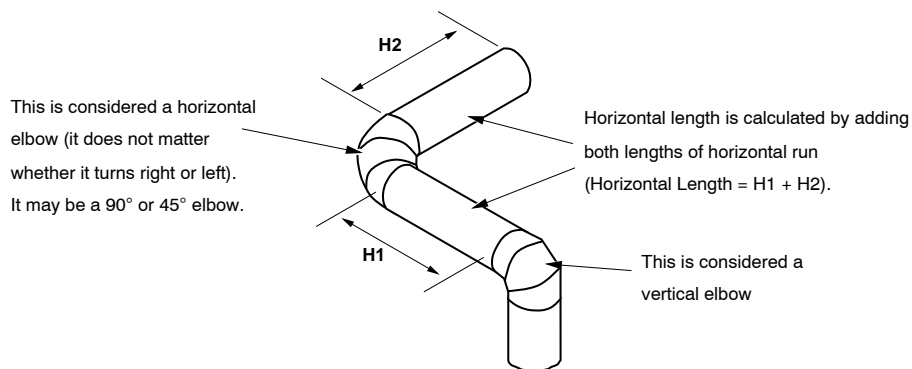
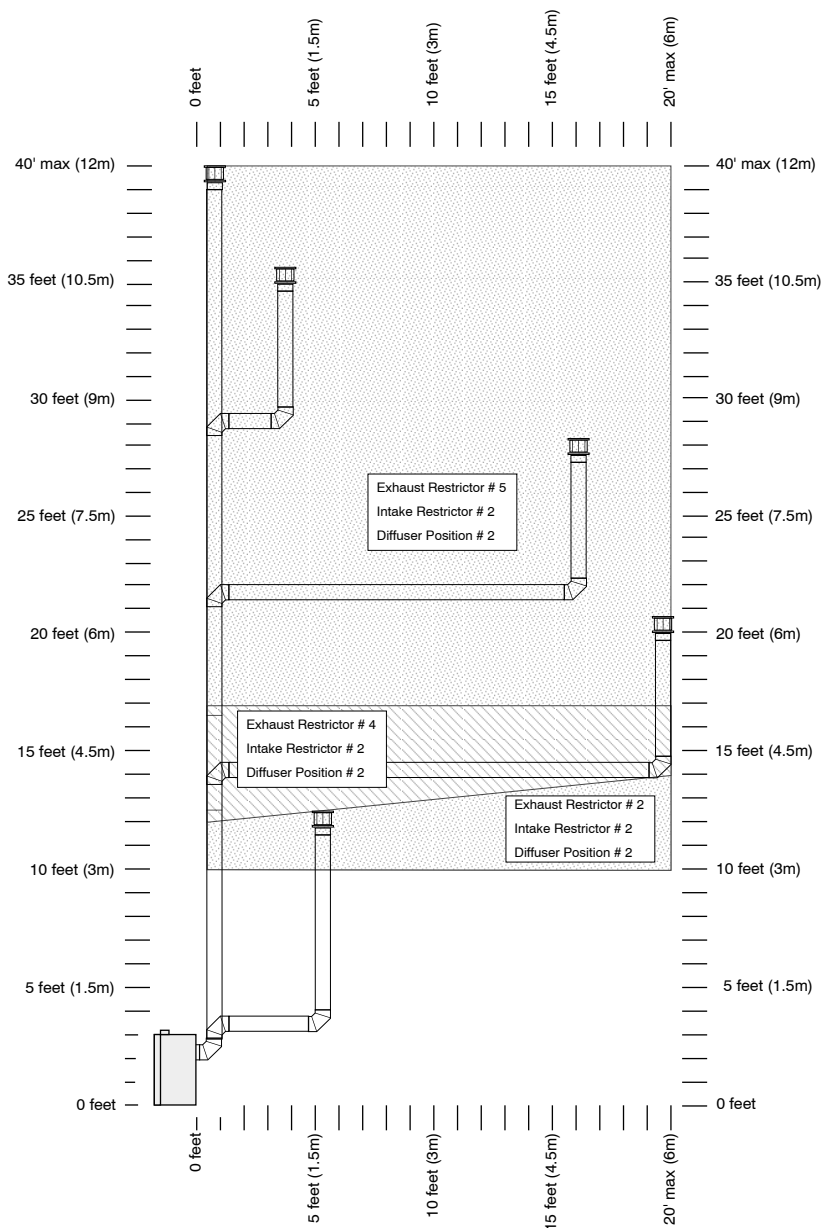
**Rear Vent Configuration with Horizontal Termination (with vertical rise)**

- The termination must fall within the shaded area shown in the chart. Use the indicated restrictor and diffuser positions.
- Up to four elbows (45° or 90°) may be used.
- Only one horizontal elbow may be used.



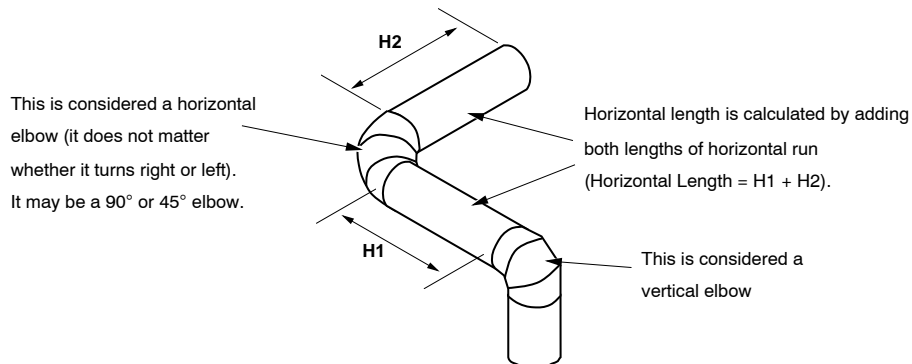
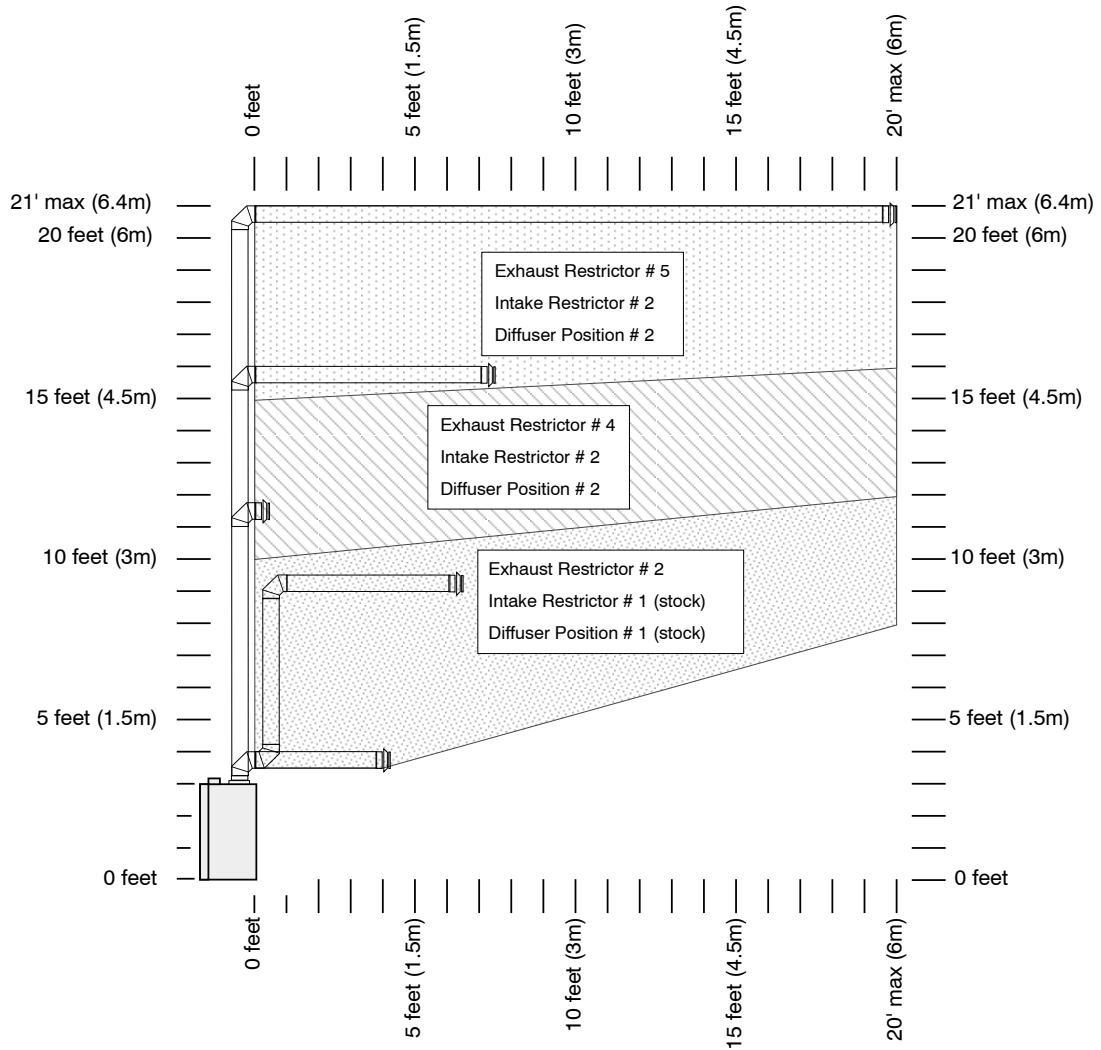
## Rear Vent Configuration with Vertical Termination

- The termination must fall within the shaded area shown in the chart. Use the indicated restrictor and diffuser positions.
- Up to four elbows (45° or 90°) may be used.
- Only one horizontal elbow may be used.



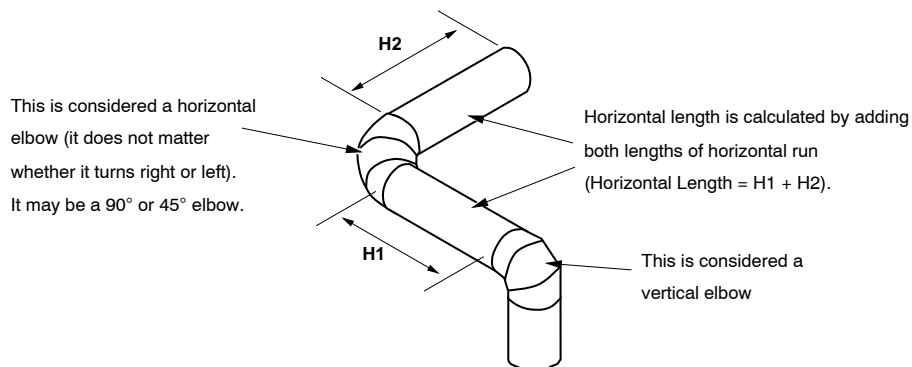
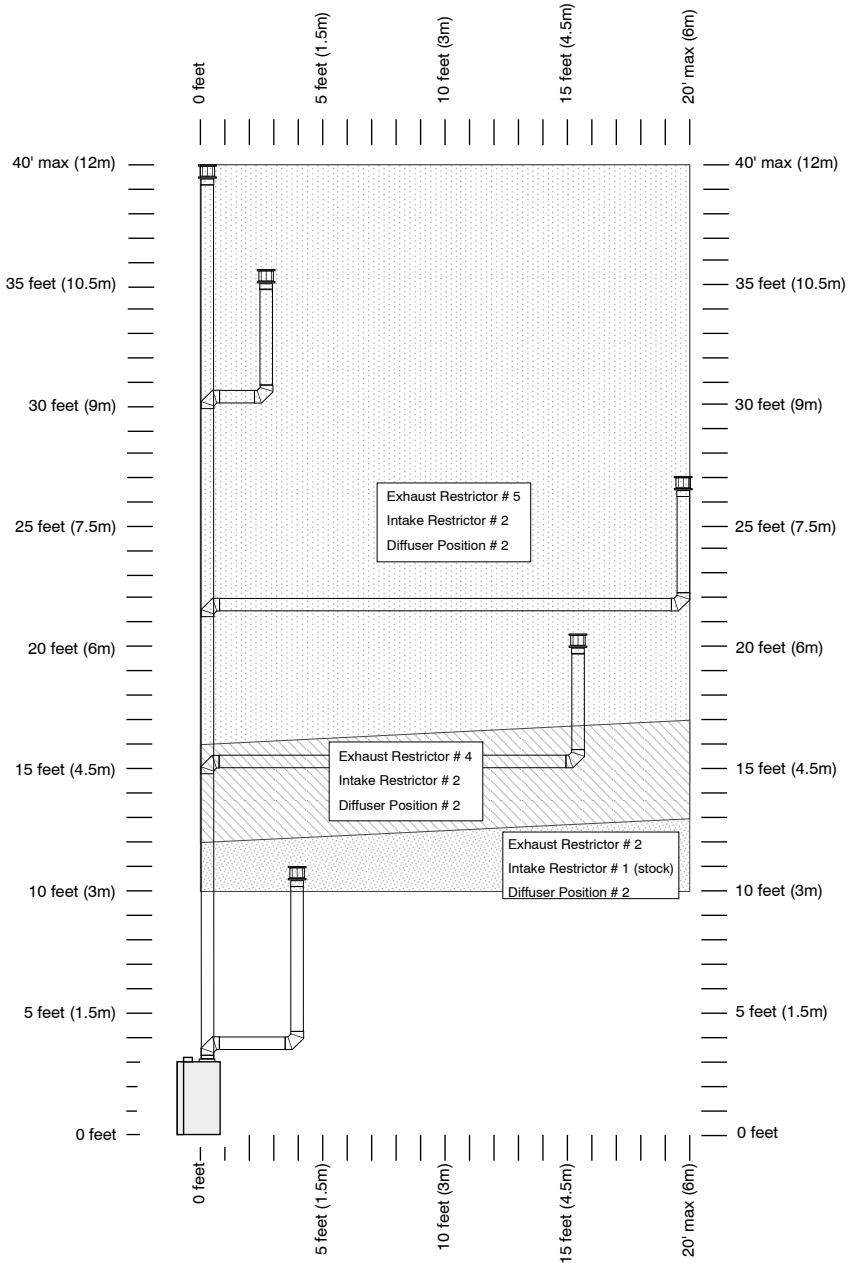
**Top Vent Configuration with Horizontal Termination**

- The termination must fall within the shaded area shown in the chart. Use the indicated restrictor and diffuser positions.
- Up to four elbows (45° or 90°) may be used.
- May use 8" (203mm) or 6-5/8" (168mm) diameter vent (see page for 22 details).
- Only one horizontal elbow may be used.



## Top Vent Configuration with Vertical Termination

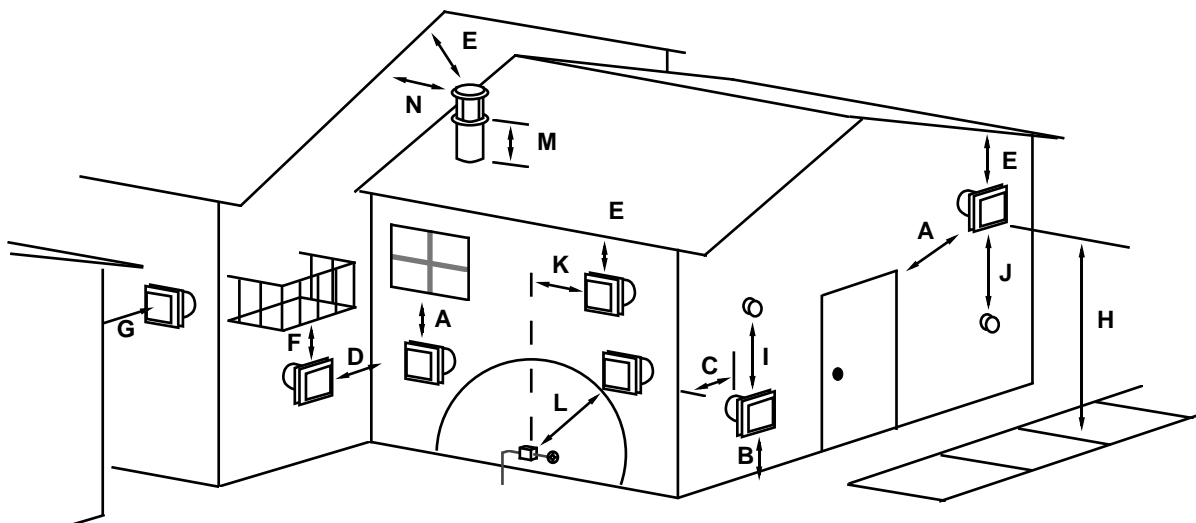
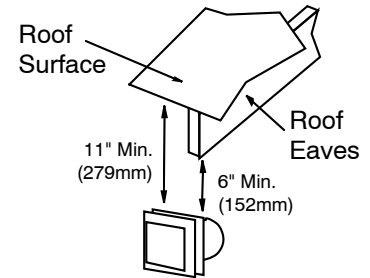
- The termination must fall within the shaded area shown in the chart. Use the indicated restrictor and diffuser positions.
- Up to four elbows (45° or 90°) may be used.
- Only one horizontal elbow may be used.
- May use 8" (203mm) or 6-5/8" (168mm) diameter vent (see page for 22 details).



## Termination Requirements

### ! Venting terminals shall not be recessed into a wall or siding.

- A Minimum 9" (229mm) clearance from any door or window
- B Minimum 12" (305mm) above any grade, veranda, porch, deck or balcony
- C Minimum 1" (25mm) from outside corner walls  
**NOTE:** Clearance in accordance with local installation codes and the requirements of the gas supplier.
- D Minimum 1" (25mm) from inside corner walls  
**NOTE:** Clearance in accordance with local installation codes and the requirements of the gas supplier.
- E Minimum 11" (279mm) clearance below unventilated soffits or roof surfaces  
 Minimum 18" (457mm) clearance below ventilated soffits  
 Minimum 6" (152mm) clearance below roof eaves  
**NOTE:** Vinyl surfaces require 24" (610mm)  
**NOTE:** Clearance in accordance with local installation codes and the requirements of the gas supplier.
- F Minimum 12" (305mm) clearance below a veranda, porch, deck or balcony  
**NOTE:** Permitted only if veranda, porch, deck, or balcony is fully open on a minimum of two sides beneath the floor.  
**NOTE:** Clearance in accordance with local installation codes and the requirements of the gas supplier.
- G Minimum 48" (1219mm) clearance from any adjacent building
- H Minimum 84" (2134mm) clearance above any grade when adjacent to public walkways or driveways  
**NOTE:** may not be used over a walkway or driveway shared by an adjacent building
- I Minimum 9" (229mm) clearance to any nonmechanical air supply inlet to the building or the combustion air inlet to any other appliance.
- J Minimum 36" (914mm) clearance above any mechanical air supply inlet if within 10' (3M) horizontally
- K Minimum 36" (914mm) from the area above the meter/regulator (vent outlet) - this extends 15' (4.5M) above the regulator  
**NOTE:** Clearance in accordance with local installation codes and the requirements of the gas supplier.
- L Minimum 36" (914mm) from the meter/regulator (vent outlet)  
**NOTE:** Clearance in accordance with local installation codes and the requirements of the gas supplier.
- M Minimum 12" (305mm) above the roof line (for vertical terminations)
- N Minimum 24" (610mm) horizontal clearance to any surface (such as an exterior wall) – for vertical terminations



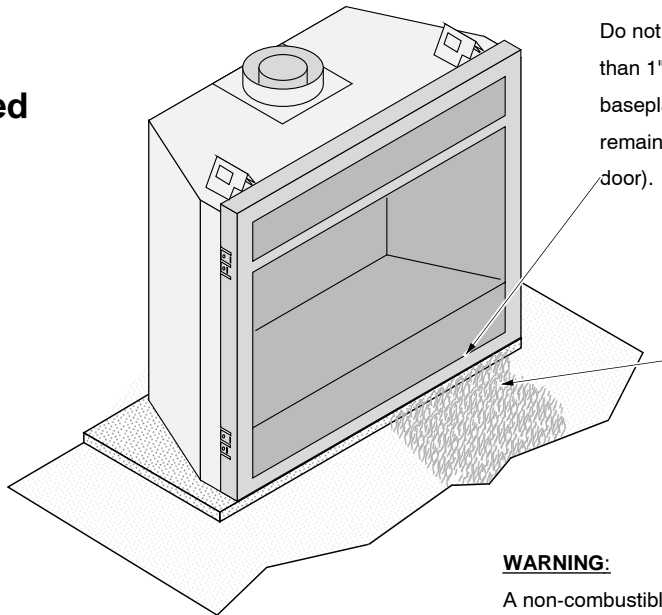
**NOTE: Measure clearances to the nearest edge of the exhaust hood.**

- Use the vinyl siding standoff when installing on an exterior with vinyl siding.
- Vent termination must not be located where it will become plugged by snow or other material



## Hearth Requirements

### Floor Mounted Fireplaces



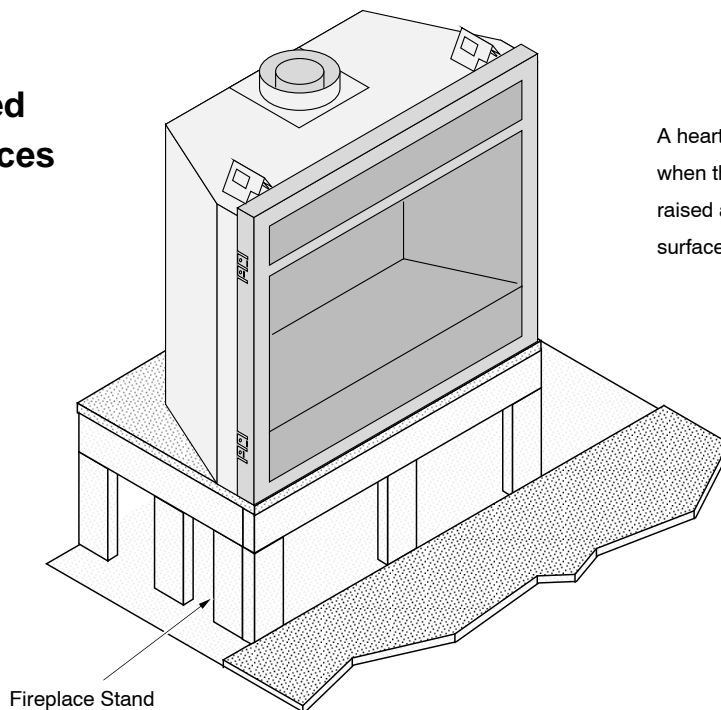
Do not build a hearth more than 1" (25mm) above the baseplate (this area must remain clear for the access door).

If installed near carpet or other combustible flooring, the fireplace must be raised so the base of the unit is above the carpet surface or flooring material.

**WARNING:**

A non-combustible hearth is not required. However, if the heater is installed next to the floor, we recommend a hearth to protect the flooring surface from discoloration or other negative impact from the heater.

### Raised Fireplaces



A hearth is not required when the fireplace is raised above the flooring surface.

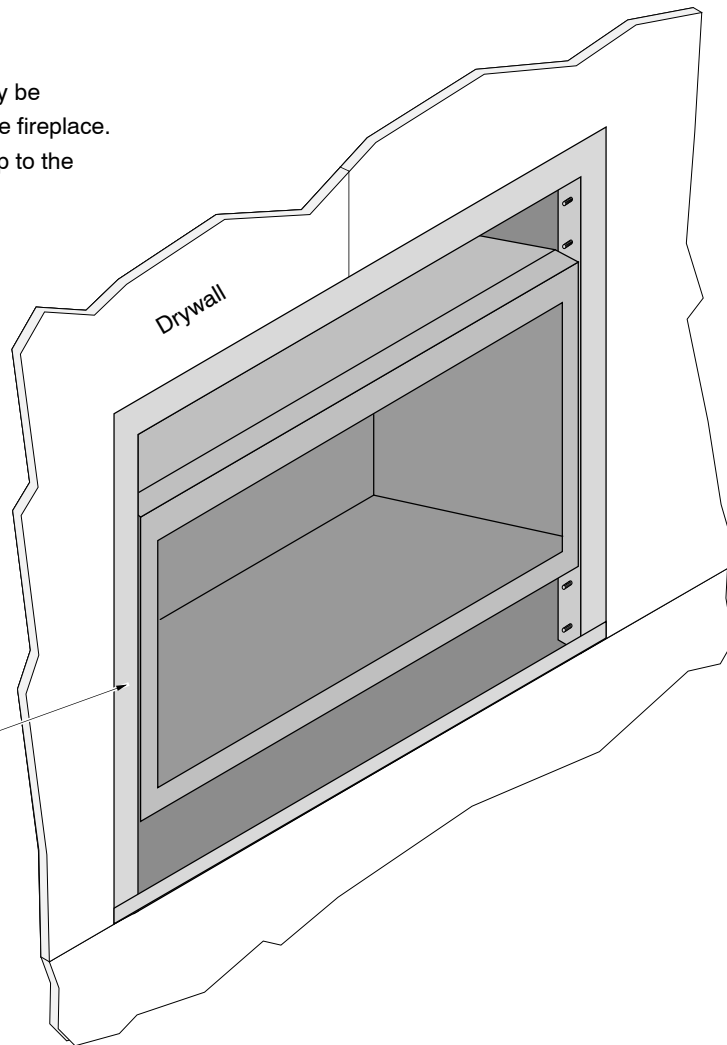
### ***Facing Requirements***

- This appliance is designed to allow for drywall (or other combustible facing) to contact the sides and top of the front of the fireplace.
- Tile or other non-combustible facing may be placed on the front of the fireplace (see "Facing Overview" on page 35 for further details).

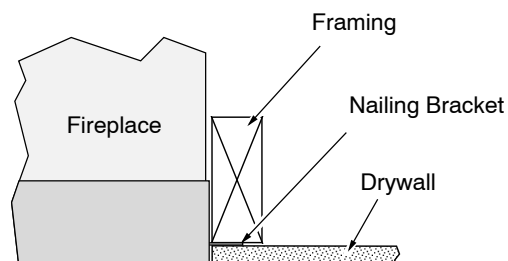
### **Drywall Installation**

**Drywall Installation** Drywall may be installed up to the front edge of the fireplace. If the fireplace is raised, drywall up to the bottom edge as well.

**Do not install drywall (or any other combustible) in front of the fireplace.**



#### **TOP VIEW**



## Facing Overview



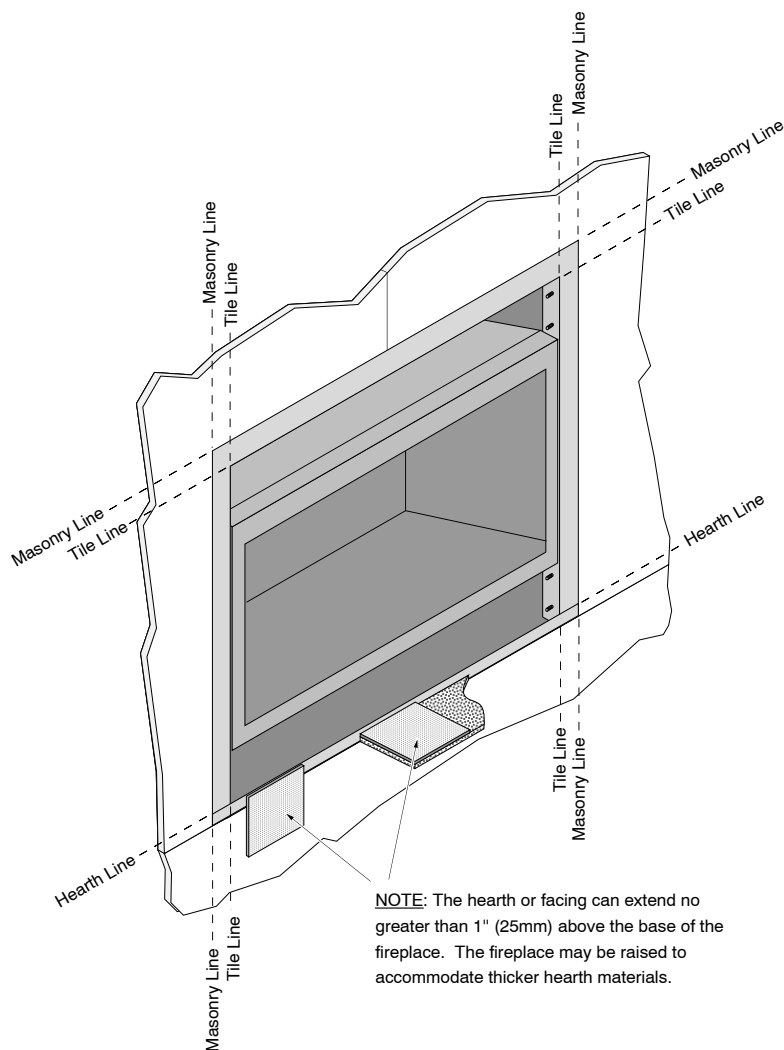
Upgrade faces are available for this fireplace and may influence facing installation. Consult with your Travis Dealer if you are using an upgrade face.

Optional non-combustible facing may be installed on the fireplace. Use the guidelines below to determine the location (also see the following pages for detailed diagrams).

**Tile Line** Any non-combustible facing under 1" (25mm) thick (see "Thin Facing" on page 36).

**Masonry Line** Any non-combustible over 1" (25mm) thick (see "Thick Facing" on page 38).

**Hearth Line** Non-combustible hearth/facing should be installed up to this location (1" (25mm) above the base of the fireplace). The fireplace may be raised to accommodate thicker hearth materials.



## Optional Faceplates – Sizing Chart

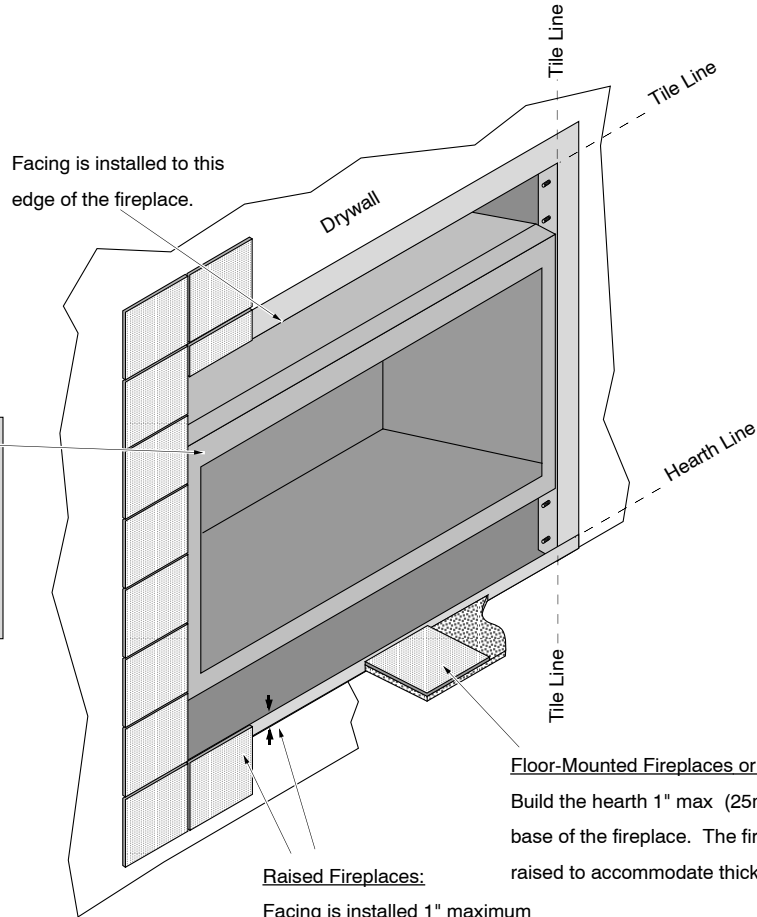
Name	Height	Width	Notes
FPX Art., Clisc., Fr Ctry	29" (737mm)	36" (914mm)	61" Radius – May fit over top of tile facing
Wilmington	29" (737mm)	36" (914mm)	May fit over top of tile facing
Victorian Lace	27-1/2" (699mm)	32-3/8" (822mm)	Optional facing butts to edge of faceplate (tile line)
Bungalow, Tree of Life	27-1/2" (699mm)	32-3/8" (822mm)	Optional facing butts to edge of faceplate (tile line)

Thin Facing Installation (tile, marble, or other non-combustible under 1" (25mm) thick)



Upgrade faces are available for this fireplace and may influence facing installation. Consult with your Travis Dealer if you are using an upgrade face.

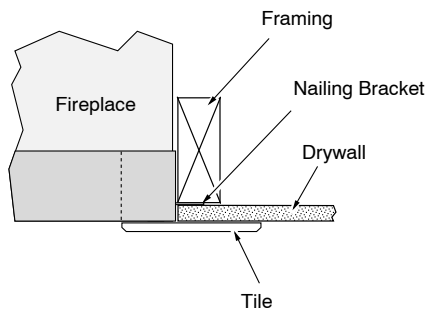
Do not install tile (or other material) in front of the glass frame, convection channel, or access panel openings. This area must remain open to access internal components and for convection air.



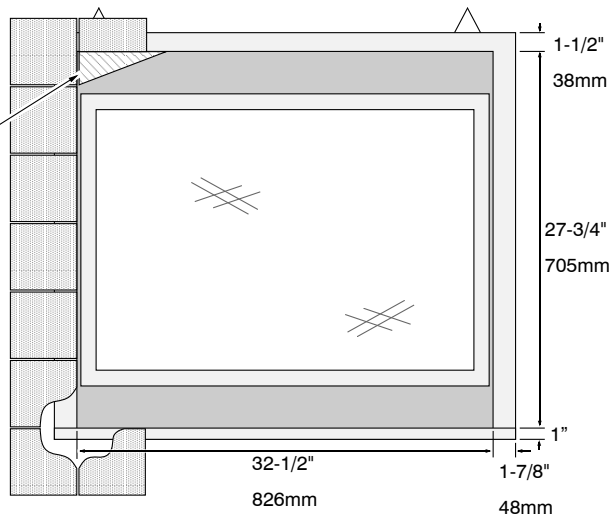
**Floor-Mounted Fireplaces or Raised Hearths:**  
Build the hearth 1" max (25mm) above the base of the fireplace. The fireplace may be raised to accommodate thicker hearth materials.

**Raised Fireplaces:**  
Facing is installed 1" maximum (25mm) above the base of the fireplace.

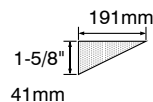
TOP VIEW



FRONT VIEW

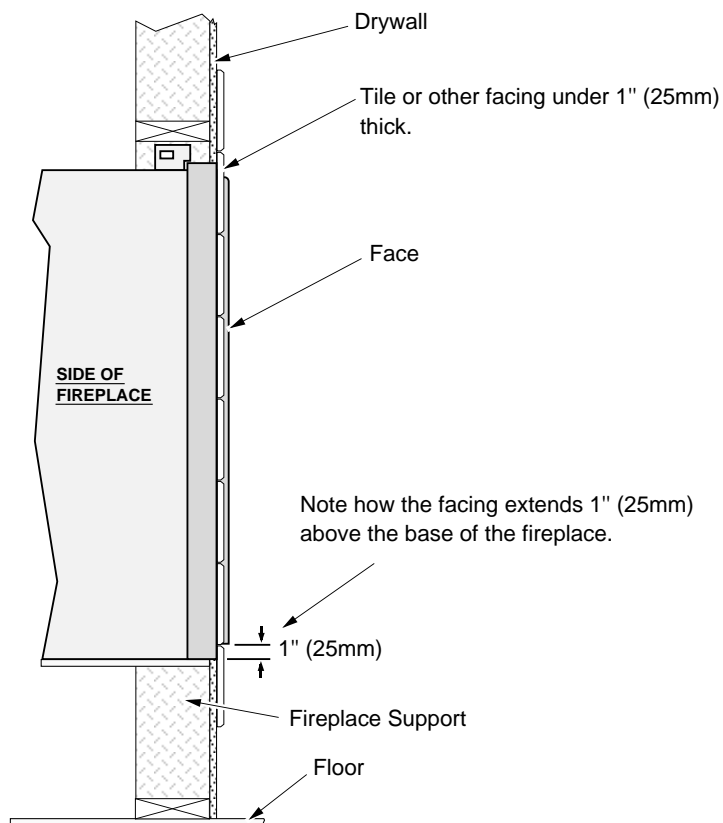


**NOTE FOR FPX FACES:**  
FPX arched faces require the FPX Face Upgrade Kit (sku 98500683) and a triangular piece of facing in these upper corners. See the instructions included with the face for further details.

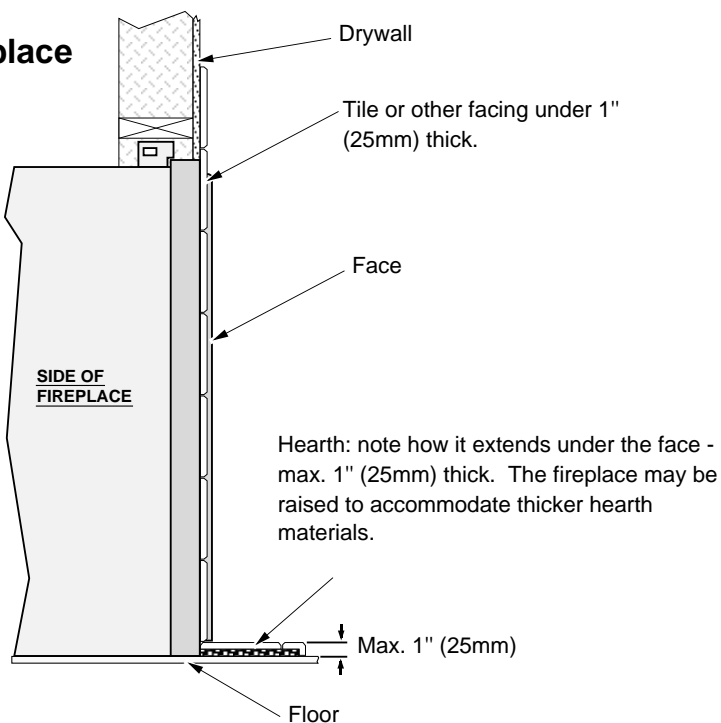


## Thin Facing Installation (tile, marble, under 1" (25mm) thick) - Side View

### Raised Fireplace (with no Hearth)



### Floor-Mounted Fireplace (with Hearth)

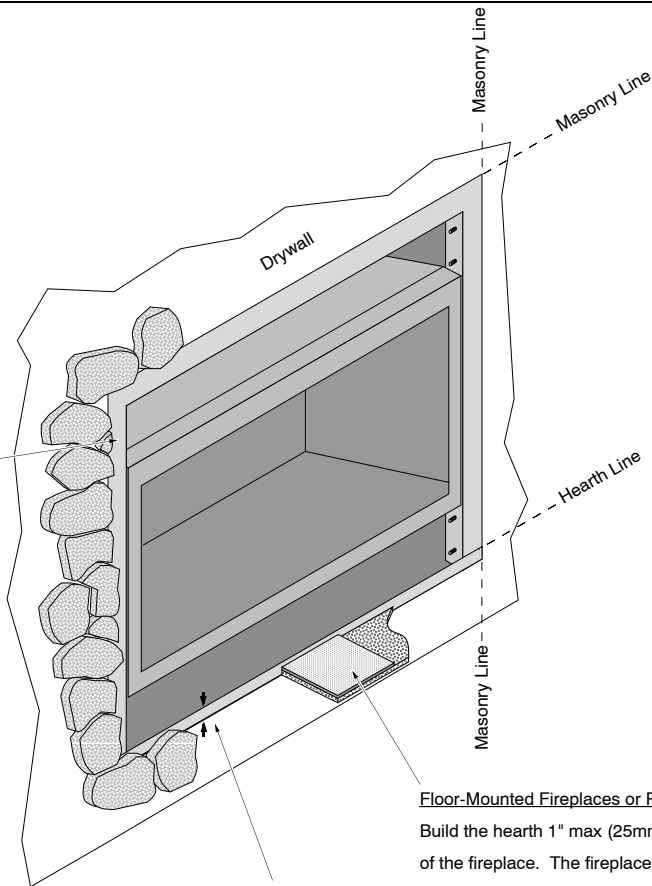


Thick Facing Installation (stone, brick, or other non-combustible over 1" (25mm) thick)

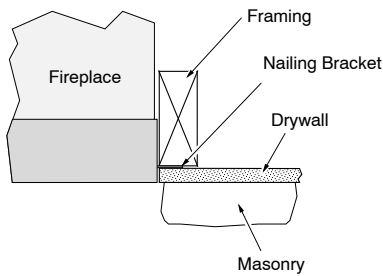


If using a Fireplace Xtordinaire (FPX) arched face, see "Thick Facing with a Fireplace Xtordinaire Arched Faces" on page 39.

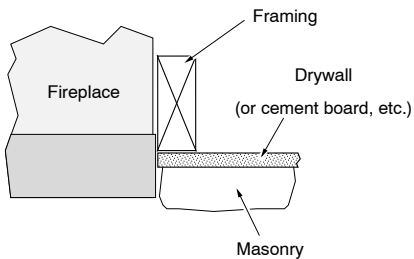
Do not install masonry (or other material) in front of the fireplace. This area must remain open to install the face.



TOP VIEW - Protruding Masonry



TOP VIEW - Recessed Masonry



NOTE: The nailing brackets are not used for this type of installation - secure the fireplace to the floor with the brackets along the base of the fireplace.

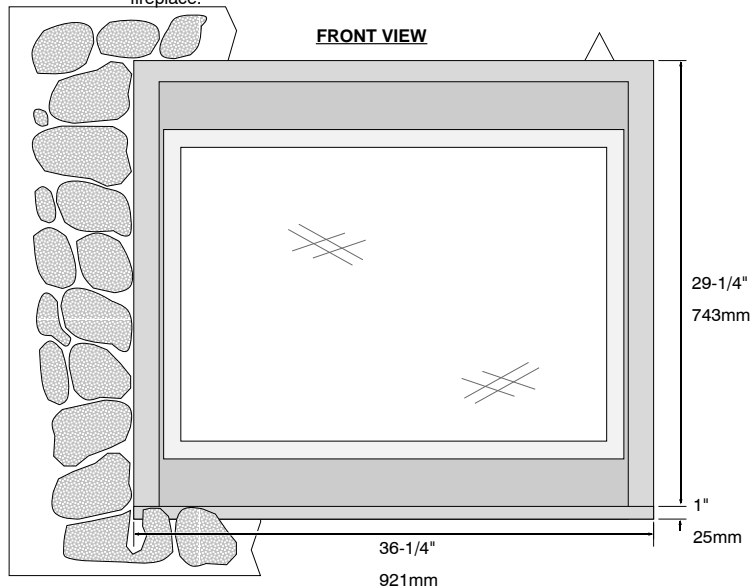
Floor-Mounted Fireplaces or Raised Hearths:

Build the hearth 1" max (25mm) above the base of the fireplace. The fireplace may be raised to accommodate thicker hearth materials.

Raised Fireplaces:

Masonry is installed 1" (25mm) (maximum) above the base of the fireplace.

FRONT VIEW

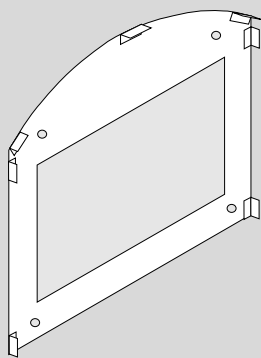


## Thick Facing with Fireplace Xtrordinair (FPX) Arched Faces

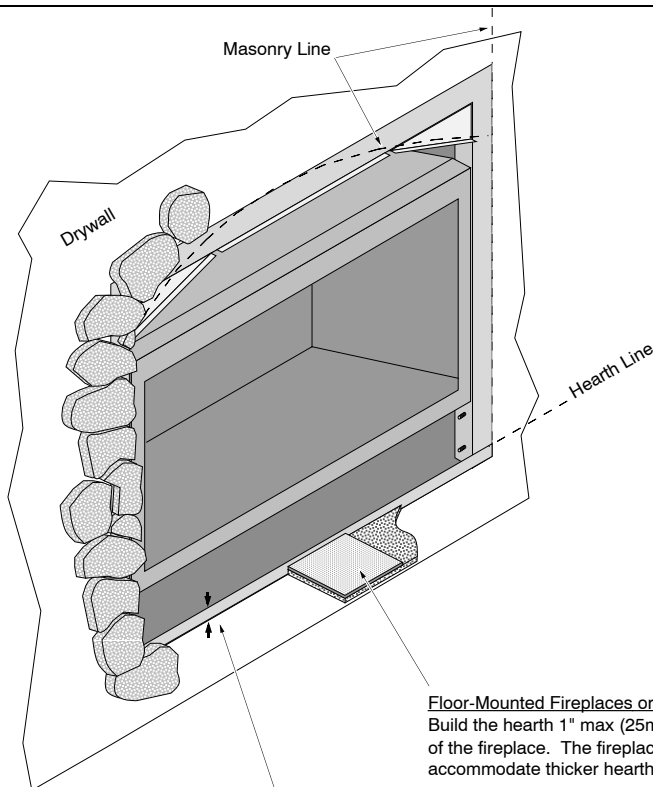
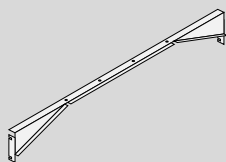


The following illustration shows facing considerations for those fireplaces utilizing FPX arched faces. The facing must be non-combustible and over 1" (25mm) in depth.

The Fireplace Xtrordinair 564 Masonry Template is recommended for masonry installation (sku 98500674). The template helps locate and support the masonry as it being installed.



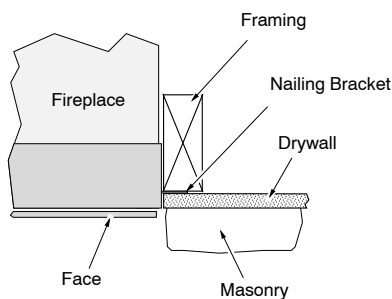
Before installing masonry, install the FPX Face Upgrade Kit (98500683). This covers the upper corners.



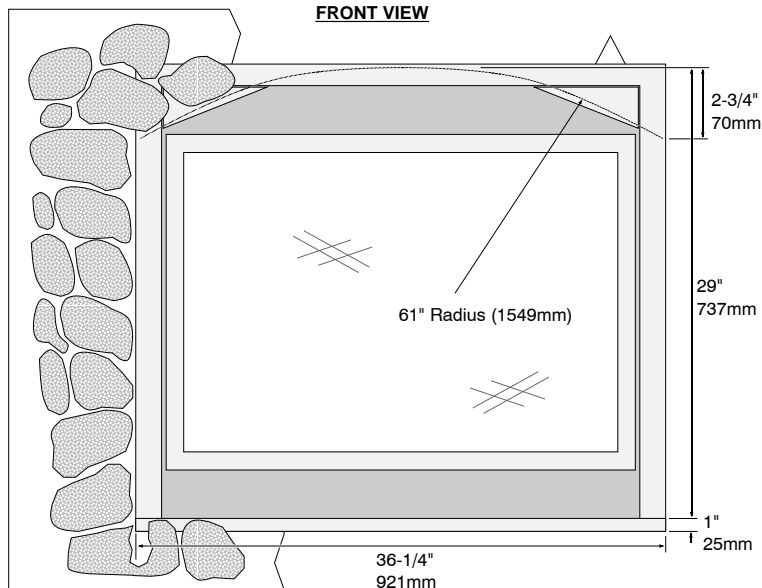
**Floor-Mounted Fireplaces or Raised Hearths:** Build the hearth 1" max (25mm) above the base of the fireplace. The fireplace may be raised to accommodate thicker hearth materials.

**Raised Fireplaces:** Masonry is installed 1" maximum (25mm) above the base of the fireplace.

### TOP VIEW

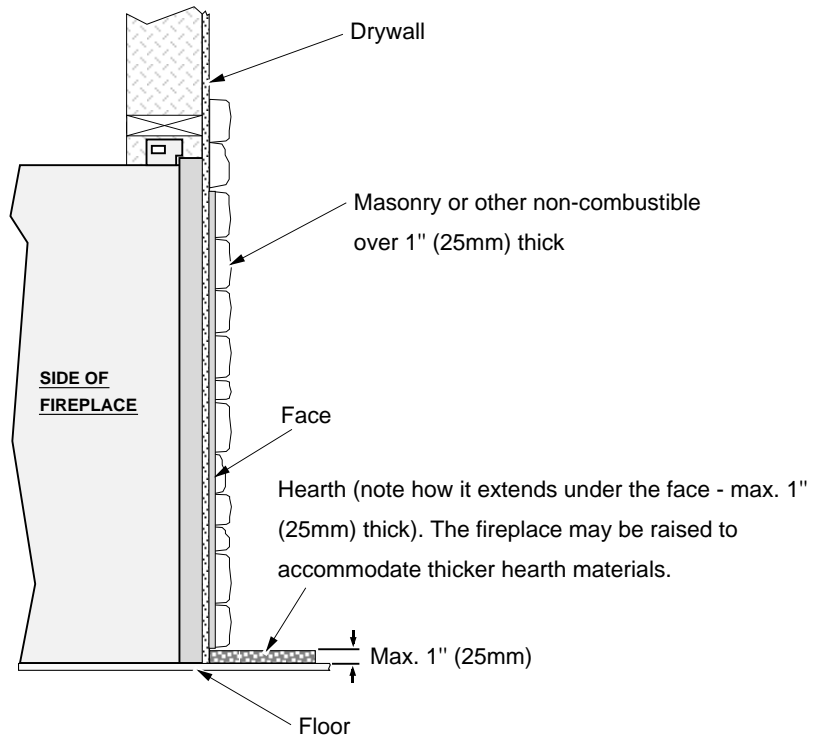


### FRONT VIEW

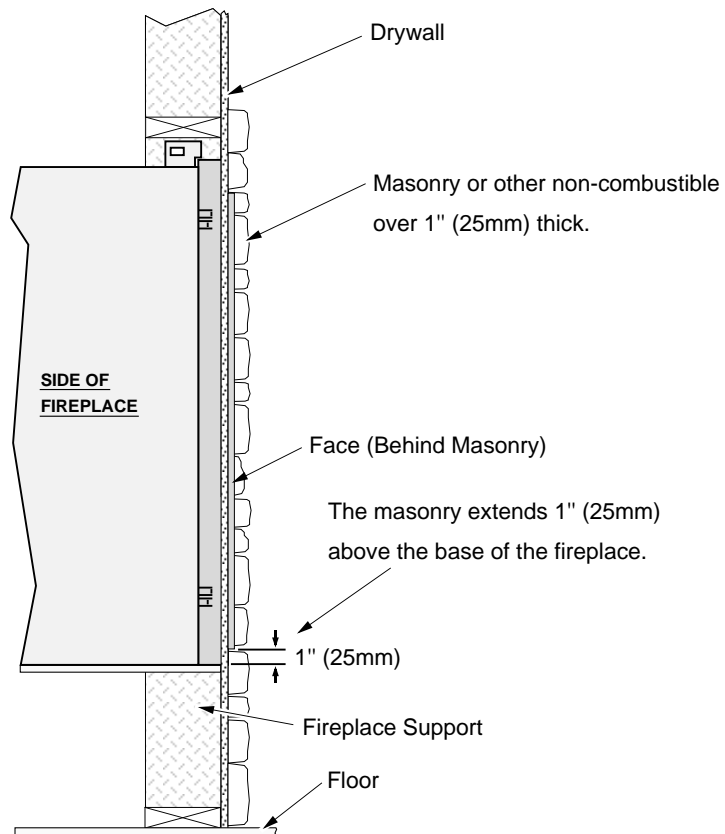


Thick Facing Installation - Side View

Floor-Mounted Fireplace  
(with Hearth)



Raised Fireplace  
(with no Hearth)

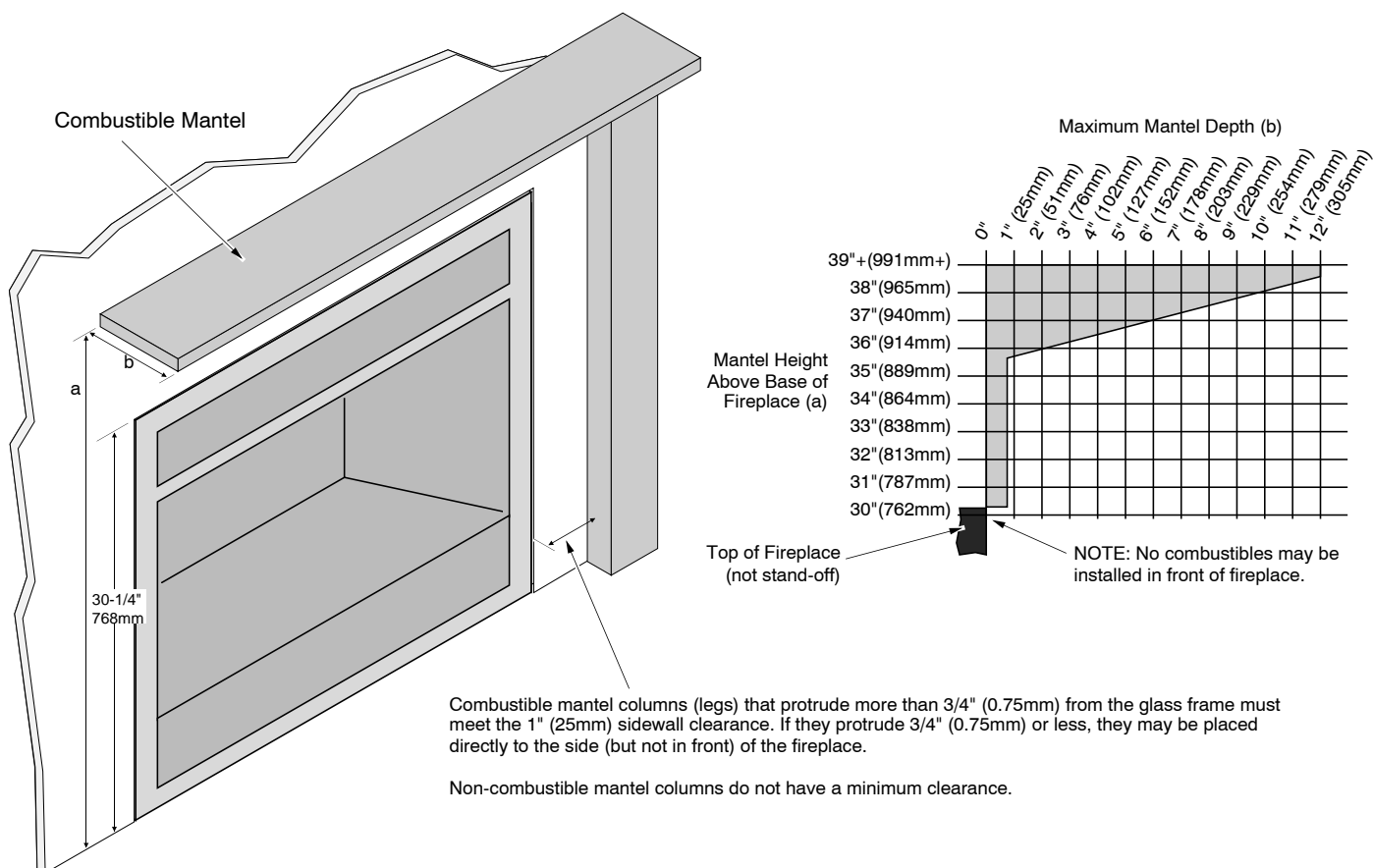




## Mantel Requirements

### Combustible Mantels

- Use the table below to determine the maximum mantel depth allowed. The mantel depth (measured from the face of the fireplace) must fall in the shaded portion of the table.
- Any material that protrudes more than 3/4" (19mm) from the non-combustible facing is considered a mantel and must meet the mantel requirements.



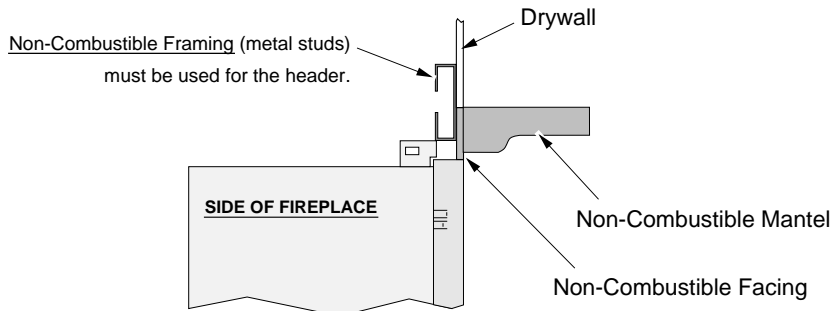
### Examples:

- If you wish to have a 6" (152mm) deep mantel, it must be at least 37" (940mm) above the base of the fireplace.
- If you wish to have a 2" (51mm) deep breastplate, it must be at least 36" (914mm) above the base of the fireplace.

### Non-Combustible Mantels

Non-combustible mantels must meet the clearances listed for combustible mantels. However, if you do wish to reduce the clearances by using a non-combustible mantel, the following requirements must be met:

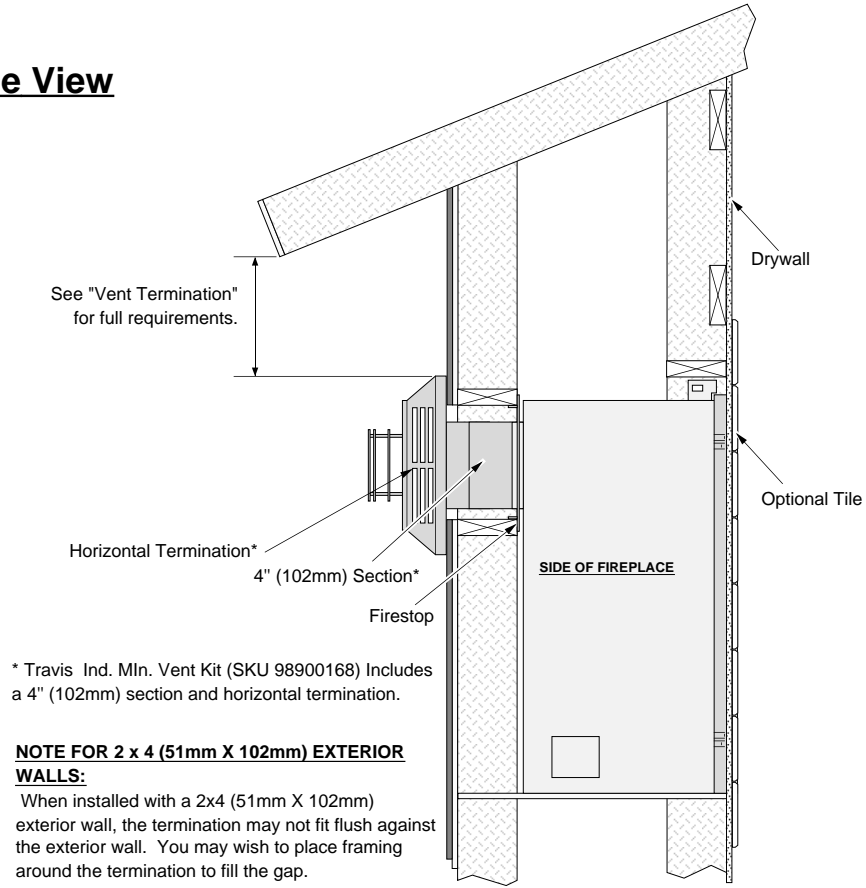
- Non-combustible mantel and facing must extend from the top of the appliance to the top surface of the mantel.
- A non-combustible header must be used (metal stud).



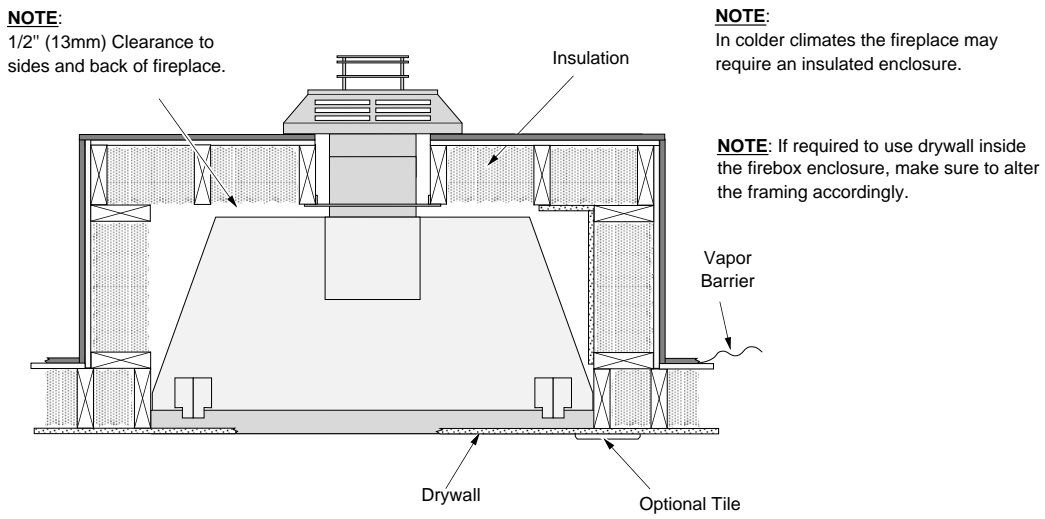
**Installation Example - Build-Out (Dog-House) with Hor. Termination**

- The framing, facing, and other building materials depicted below are for example only. Refer to local building codes for framing, facing, and insulating requirements in your area.

**Side View**



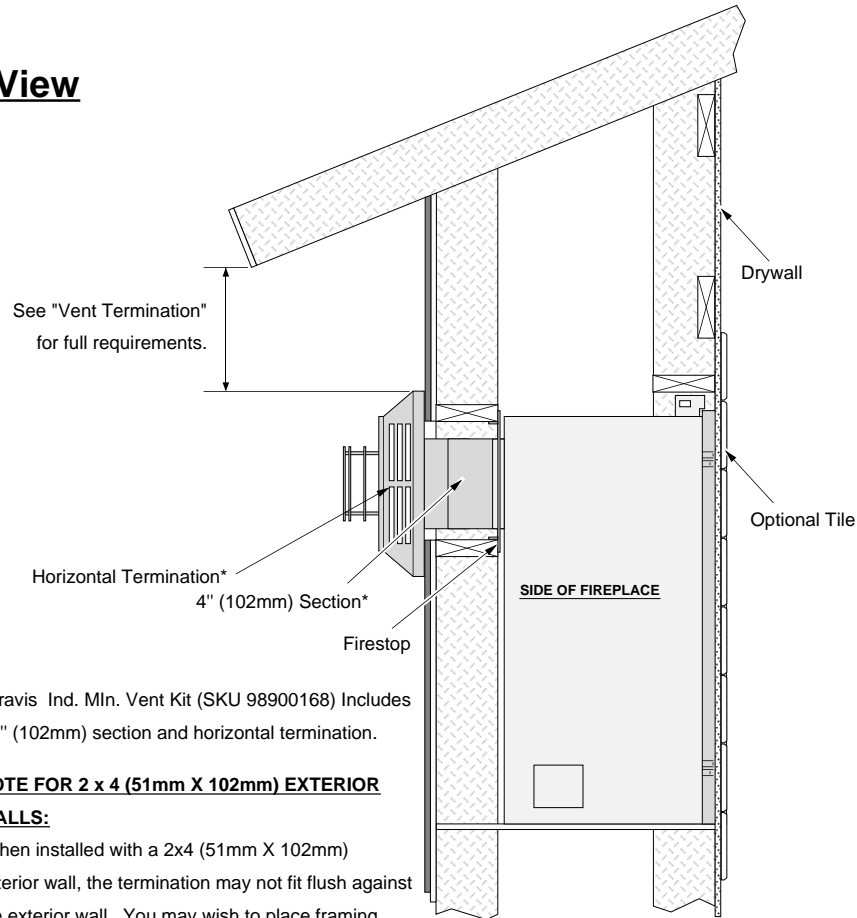
**Top View**



## Installation Example - Build-In with Horizontal Termination

- The framing, facing, and other building materials depicted below are for example only. Refer to local building codes for framing, facing, and insulating requirements in your area.

### Side View



\* Travis Ind. Mln. Vent Kit (SKU 98900168) Includes a 4" (102mm) section and horizontal termination.

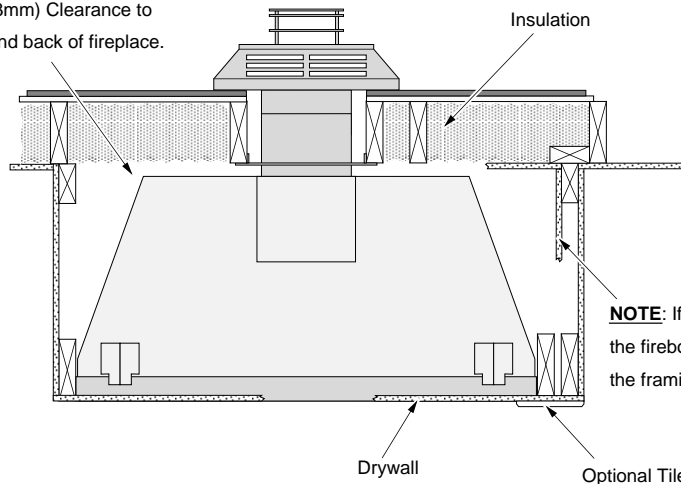
**NOTE FOR 2 x 4 (51mm X 102mm) EXTERIOR WALLS:**

When installed with a 2x4 (51mm X 102mm) exterior wall, the termination may not fit flush against the exterior wall. You may wish to place framing around the termination to fill the gap.

### Top View

**NOTE:**

1/2" (13mm) Clearance to sides and back of fireplace.



**NOTE:** If required to use drywall inside the firebox enclosure, make sure to alter the framing accordingly.

## 44 Finalizing the Installation (for qualified installers only)

### Steps for Finalizing the Installation

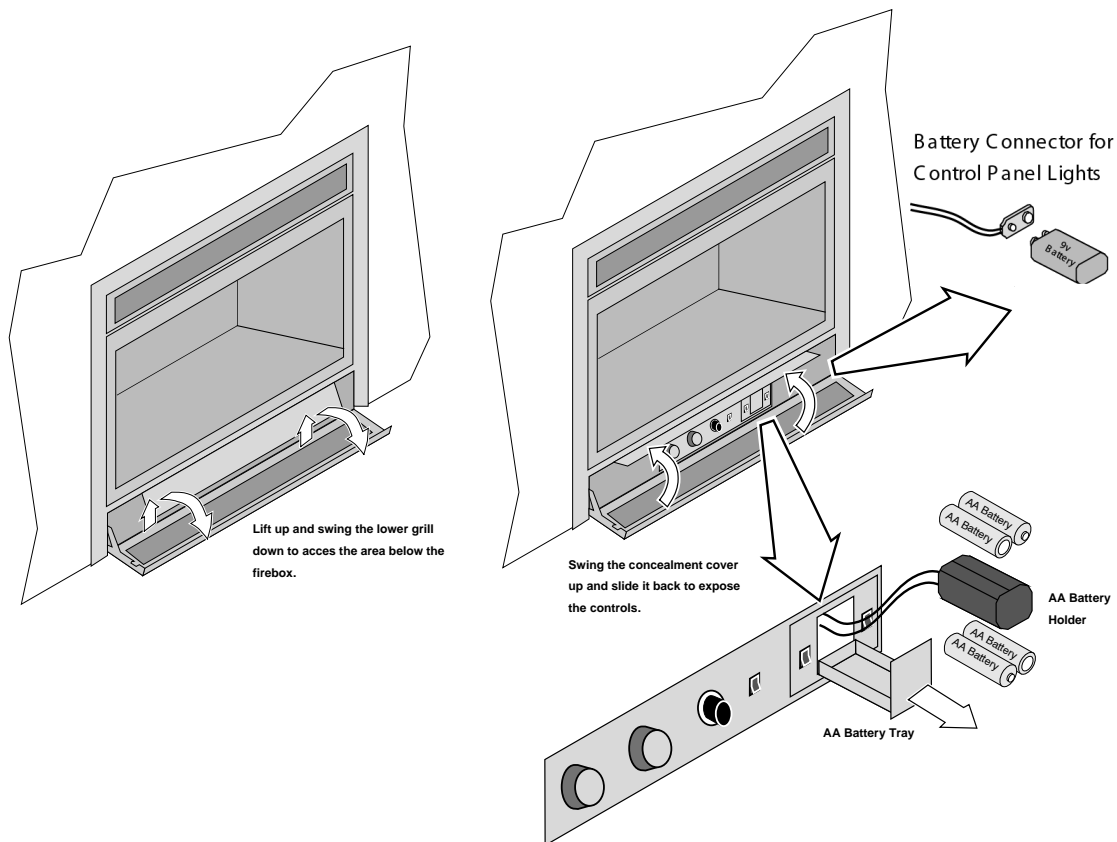
1. Remove the glass frame (see page 46).

**NOTE:** If using propane (LP) convert the appliance at this time (see page 53).

2. We recommend you purge the gas line at this time (with the glass removed). This allows gas to be detected once it enters the firebox, ensuring gas does not build up.
3. Make sure all six accent lights operate properly. Remove the glass tray, if necessary, to access the accent light bulbs (see page 53 for glass tray removal).

**NOTE:** Take care to not touch the bulbs with your fingers – use a cloth or paper towel).

4. Install the four AA batteries (included in the owner's pack) into battery holder (see the illustration below). The AA batteries act as a power backup in case the household (AC) power goes out. Install the 9v battery (included in the owner's pack) into control panel light assembly (see the illustration below).

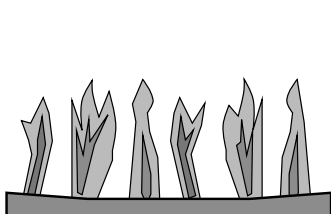


5. Install the firebacks (see page 48). Install the crushed glass (see page 48).
6. Replace the glass frame.
7. Start the heater.
8. Leak test all gas joints.

9. Check the air shutter following the directions below.

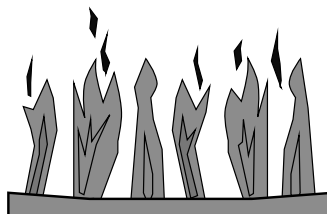
## Air Shutter Adjustment

Let the heater burn for fifteen minutes (make sure the crushed glass and glass frame are in place). The flames should be yellow with no sooting. Adjust the air shutter, if necessary, to achieve the correct looking flame.



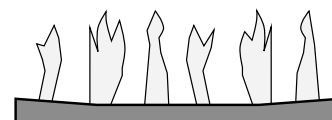
Correct

Flames should be blue at the base, yellow-orange on the top.



Not Enough Air

If the flames are too tall or sooty on the ends, open the air shutter.



Too Much Air

If the flames are all blue and short, close the air shutter.

## Adjusting the Air Shutter

Center Burner Air Shutter Control

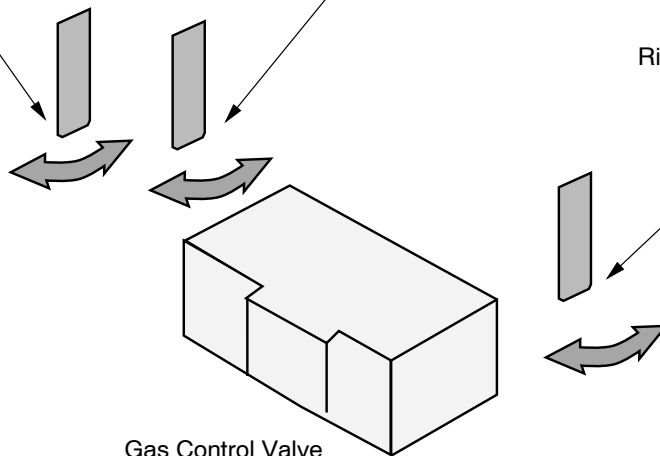
Forward = More Air  
Backward = Less Air

Left Burner Air Shutter Control

Forward = Less Air  
Backward = More Air

Right Burner Air Shutter Control

Forward = More Air  
Backward = Less Air



10. Turn the flame adjust knob to its highest position - the flames should not contact the top of the firebox. Check the flame on low position. The flames should burn off of each burner hole. If the heater does not work correctly, contact your Travis dealer for a remedy.

11. Give this manual to the home owner for future reference and fully explain operation of this heater. For comprehensive operating and maintenance instructions, refer to the Owner's Manual (part # 100-01249).

**ACID WASH WARNING:** Before installing the faceplate, make sure any masonry that has been treated with acid wash has been properly neutralized (this is used primarily with brick faces). Acid wash (muriatic acid) is used to remove excess mortar. If not properly neutralized with an ammonia solution, the plated face may develop a permanent tarnish when the acid evaporates over time. Contact your dealer if uncertain your facing has been properly neutralized.

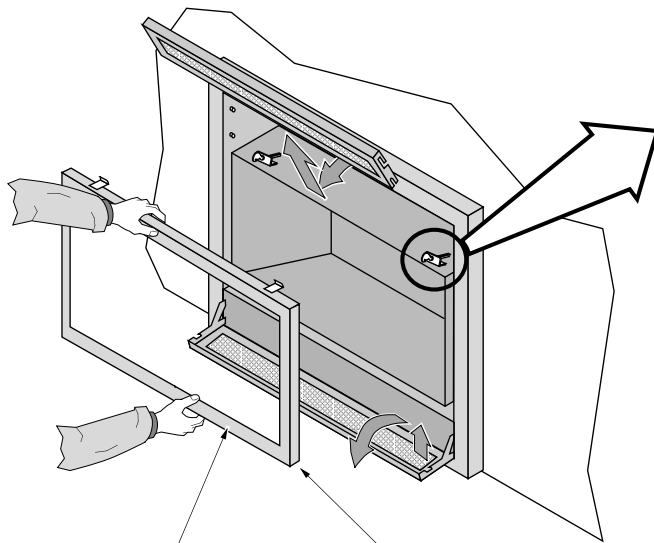
### Glass Frame Removal and Installation

**Warning:** The appliance must be completely cool before removing the glass.

**Warning:** Do not strike or slam the glass.

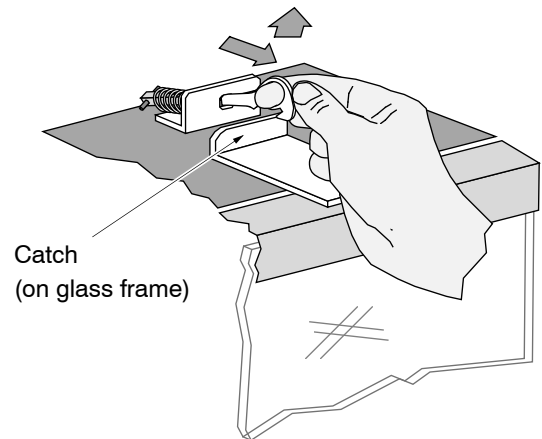
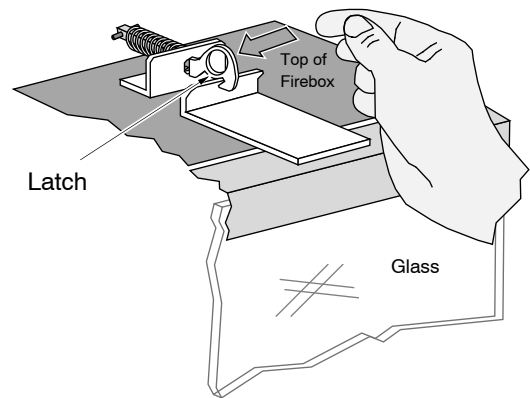
- a** Based upon the face being used, either:
- swing the access door down and remove the top grill,
  - remove the face (unscrew or lift off - see the instructions included with the face for details).

Open the four latches holding the glass frame in place (start with the bottom) - follow the directions shown to the right.



- b** Lift the glass frame up and pull it forward to remove.

**NOTE:**  
You may need to lift the glass frame while re-attaching.



#### Re-Attaching the Glass Frame:

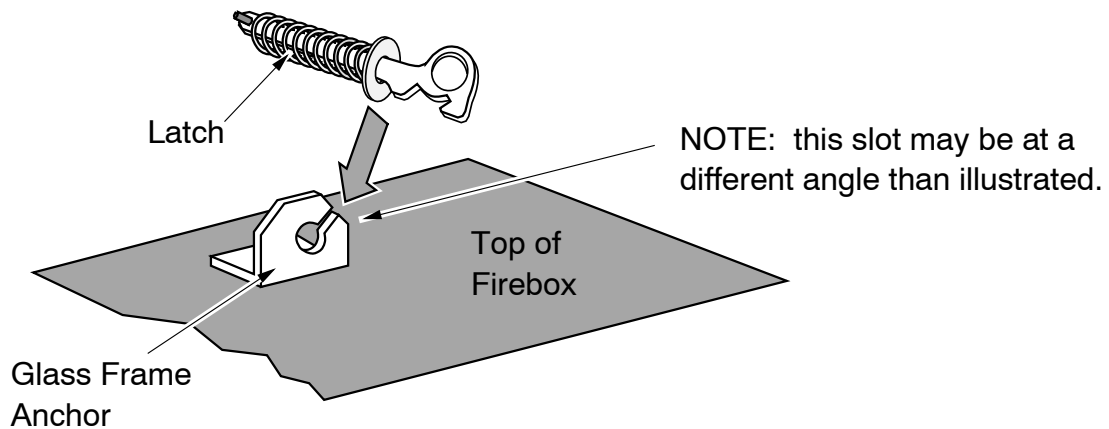
- Hang the glass frame on the firebox.
- While holding in place, attach the upper latches (follow the instructions to the right in reverse).
- Lift the glass frame slightly and attach the lower latches.

**NOTE:** Make sure the glass frame is all the way in place - it should be flush with the front of the fireplace when installed.

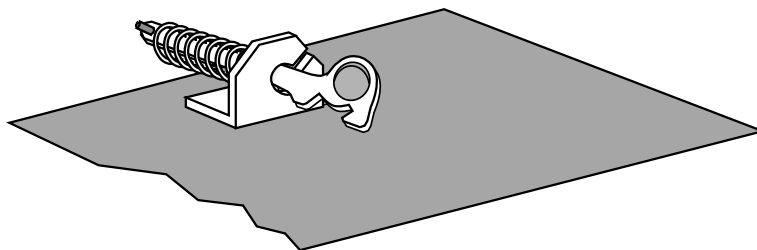
## Glass Frame Removal and Installation (continued)

The latch can come loose from glass frame anchor. This occurs when it is turned 1/4 turn when it is disengaged. Follow the directions below to re-install the latch if it becomes loose.

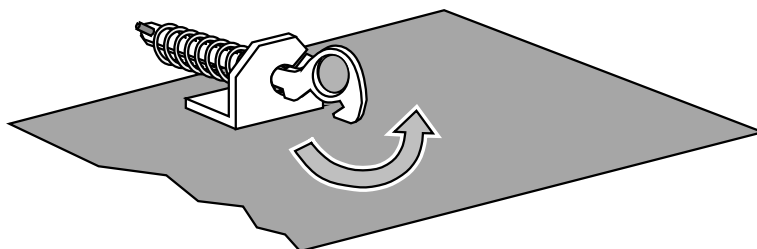
Hold the latch at an angle and insert it into the slot on the glass frame anchor.



Note how the washer on the latch fits behind the flange on the glass frame anchor.



Once fully inserted, turn the latch until it is upright.



## 48 Finalizing the Installation (for qualified installers only)

### Fireback Installation

#### **STAINLESS STEEL WARNINGS**

**HANDLING THE FIREBACKS:** The stainless steel firebacks are shipped in vinyl to prevent marring the surface of the stainless steel. Remove the vinyl prior to installation. **Wear clean gloves when installing the firebacks** to prevent fingerprints on the surface (or use a rag or paper towel to handle the firebacks).

**COLORATION AND CLEANING:** These stainless steel firebacks will obtain a slight “patina” (brown tint) after use. Do not clean the firebacks. This patina becomes consistent. Any cleaning may lead to unequal coloring. If soot forms on the fireback, we recommend brushing it off with a soft cloth or brush.

#### **CLEANING ENAMEL FIREBACKS**

We recommend cleaning the enamel surface with glass cleaner and a soft cloth.

**WARNING** Metal firebacks are required for the 564 Diamond-Fyre. Install the firebacks prior to test-burning the fireplace. Install the firebacks prior to installing the crushed glass. Make sure the appliance is cool and electricity has been shut off to the fireplace before installation.

- 1 Remove the glass frame (see manual for details).
- 2 Remove the cast burner cover and place it aside.



- 3 Remove the four screws securing the glass tray. Lift the tray up and place it aside.



**NOTE:** If you are converting the fireplace to LP (Propane), convert it at this time with the glass tray removed.



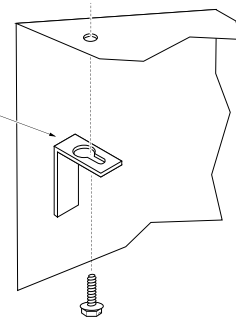
- 4 Locate the exhaust restrictor on the firebox ceiling. Remove the two screws holding it in place and place the restrictor aside.



- 5 Remove the two side fireback clips from the firebox ceiling. They are located at the outward edges of the firebox near the glass opening.



The side fireback clip has a keyhole slot. It can be removed by loosening the screw and sliding the clip out.



- 6 Hold the rear fireback at an angle and position it behind the burner against the back wall of the firebox. While holding it in place, install the side fireback as shown below.



## 50 Finalizing the Installation (for qualified installers only)

- 7 Replace the two side fireback clips to secure the firebacks in place (see step 5).
- 8 Replace the exhaust restrictor. NOTE: you may need to adjust the restrictor position, consult the installation manual for details.
- 9 Before replacing the glass tray, **use a screwdriver to bend the four light deflectors up** as shown below. The deflectors must be bent up approximately 2" for the crushed glass to glow correctly.



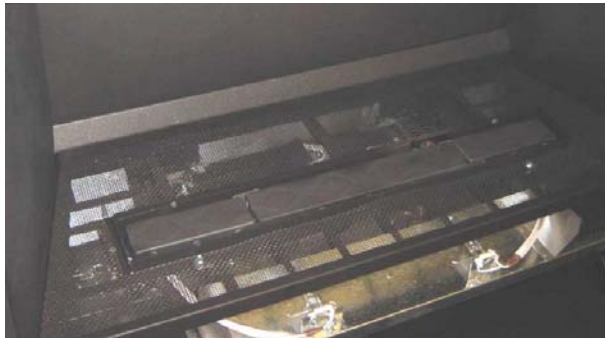
- 10 Replace the glass tray and secure it with the four screws removed earlier.



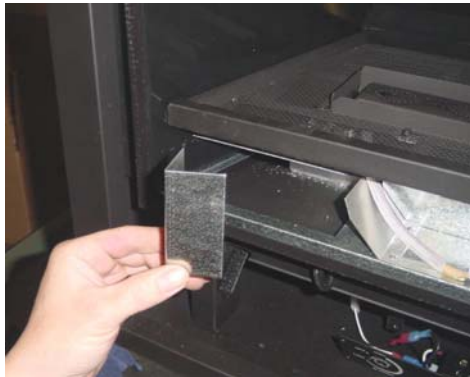
- 11 Replace the cast burner cover, making sure the notch on the cover fits over the pilot assembly on the right side.



- 12 Slide the rear glass tray skirt over the tab on the back wall of the firebox. When in place it will form an even edge with the glass tray.



- 13 Two light shields are included with this kit to prevent light from exiting the sides of the front glass tray skirt. Place the shield as shown in the photos below (for both sides).



- 14 Slide the front glass tray skirt over the front edge of the glass tray. When in place it will form an even edge with the glass tray and side firebacks.



**NOTE:** The enamel firebacks may have a slight warp due to the enameling process. Make sure this edge maintains an even  $\frac{1}{4}$ " gap. If needed, use a piece of glass media to shim the skirt to insure correct alignment.



## 52 Finalizing the Installation (for qualified installers only)

### *Crushed Glass Installation*

---

#### **Crushed Glass**

Install the crushed glass on the glass tray as shown below. Use 10 pounds of crushed glass (4.5 Kg). The glass should cover the glass tray and be evenly dispersed.

**NOTE:** If converting to LP (propane), convert the appliance prior to placing the crushed glass.



## ***LP Conversion Instructions***

---

**Install the conversion kit prior to installing the gas line to ensure proper gas use.**

- 1 Remove the glass (see page 44). Remove the crushed glass (if installed - page 48)
- 2 Remove the cast burner cover and place it aside.



- 3 Remove the four screws securing the glass tray. Lift the tray up and place it aside.



## 54 Finalizing the Installation (for qualified installers only)

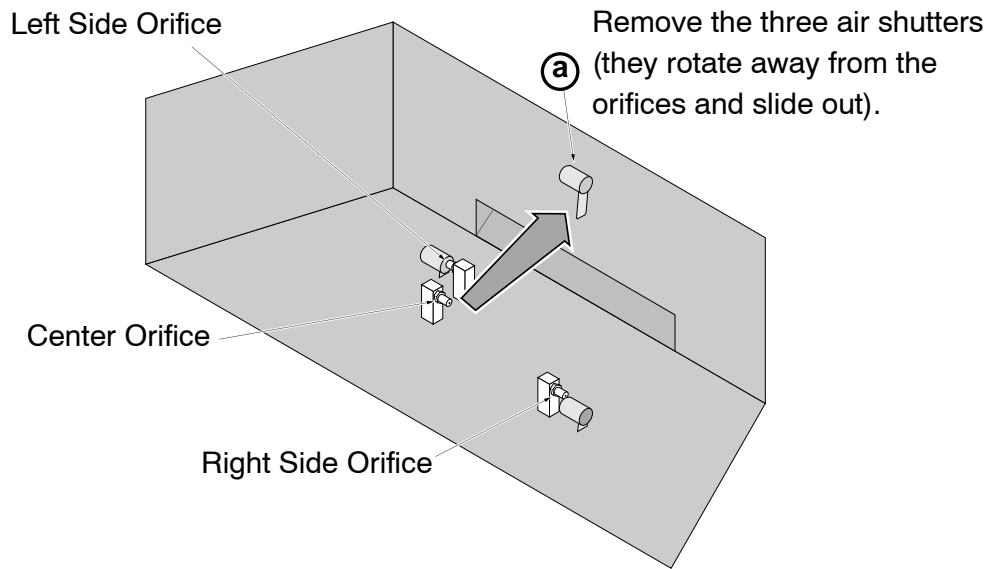
- 4 Remove the side burners. Each side burner has a bracket that inserts over a tab on the firebox floor. Lift the burner up and slide it away from center to remove.



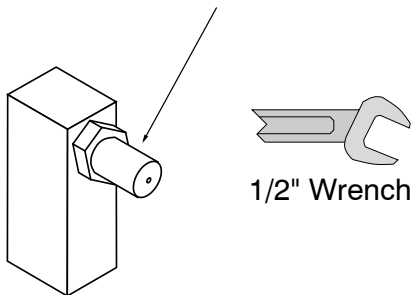
- 5 Remove the center burner by sliding it to the right. See the photo below.



6 Follow the directions below to replace the orifices.

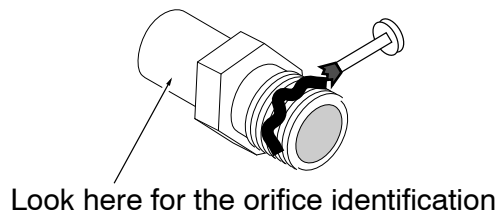


(b) Use a 1/2" open end wrench to unscrew the three orifices.



(c)

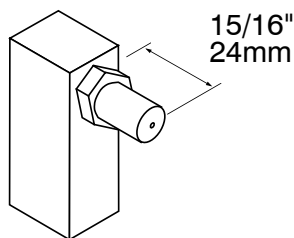
Apply thread sealant to the LP orifices prior to installation. Use the chart below to identify the correct orifices.



	NG	LP
Center	#53	#63
Sides	#60	#70

(d)

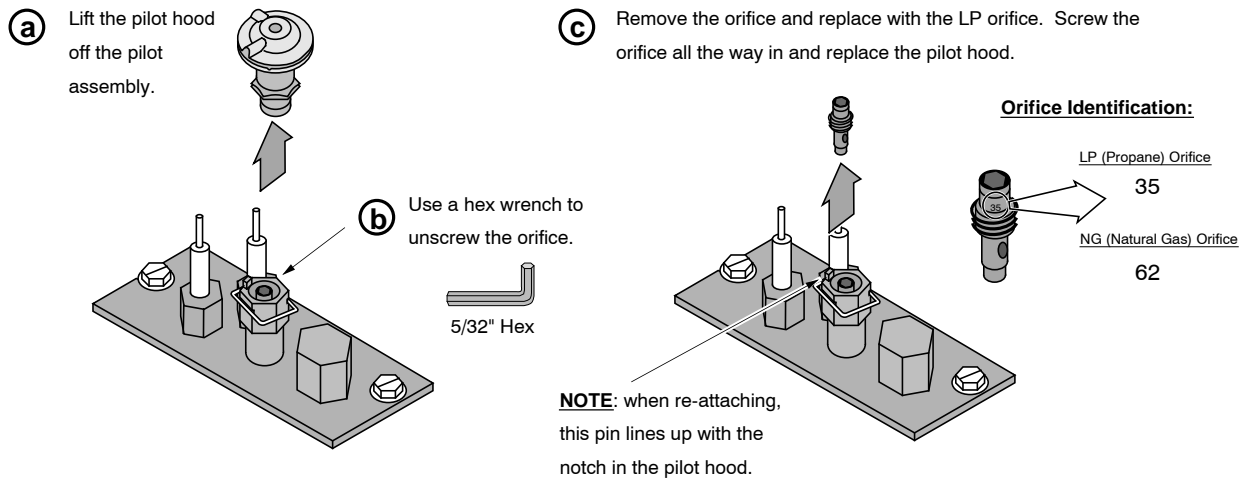
Screw each LP orifice in so the orifice protrudes 15/16" (24mm) (indicating full insertion).





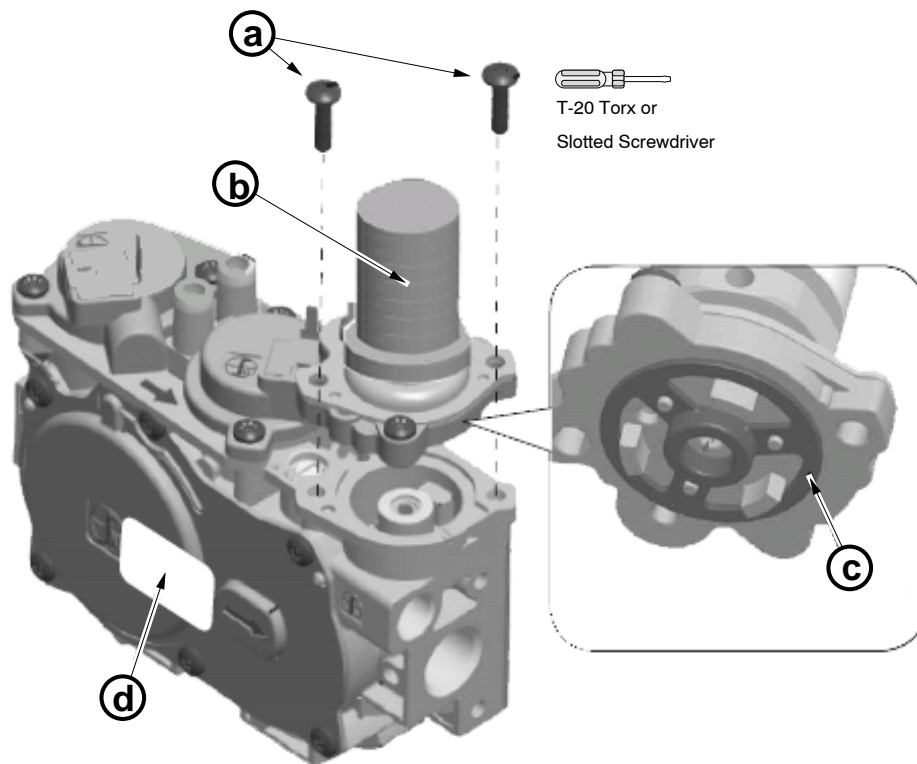
## 56 Finalizing the Installation (for qualified installers only)

7 Remove the pilot orifice following the instructions below. Replace with the propane pilot orifice



8 **Replace the firebox components.** Install the crushed glass. Replace the glass frame.

9 Remove and discard the screws (see "a" below) holding the stock regulator in place (see "b" below). Remove the stock regulator and gasket (see "c" below). Place the LP regulator in place, making sure the pre-fitted gasket (see "c" below) is in place. **NOTE:** There is a label on the base of the regulator knob indicating regulator type (NG or LP). Secure the regulator with the screws included with the regulator – tighten to 25 lb-in of torque. Place the included label on the valve body where it can be easily seen to insure proper identification. **NOTE: Leak test this area after the heater is installed, gas is connected, and the main burner is lit.**



10 Make the gas line connection, bleed the gas line (if applicable), start the heater and thoroughly leak-test all gas connections and the gas control valve.



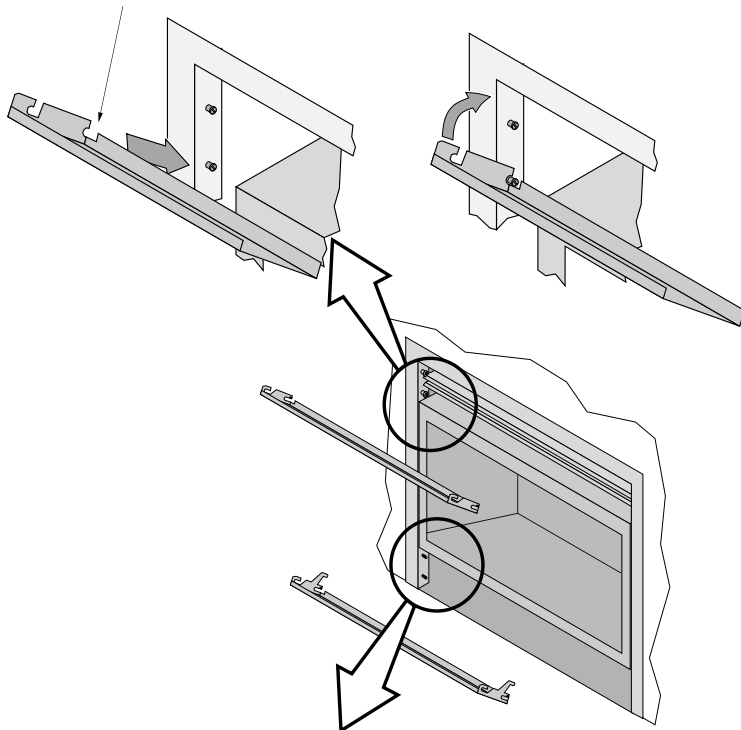
## Grill Installation

Certain faces allow for installation of an upper and lower grill. Follow the directions below to install.

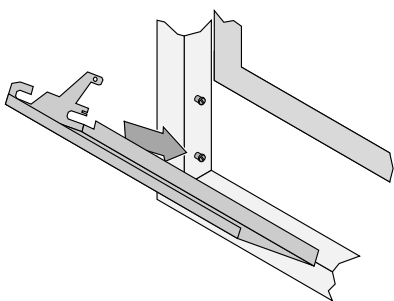
### Upper Grill Installation (FPX and Avalon)

Hold the grill at an angle and insert the lower slot over the lower bushing on the fireplace (both sides)

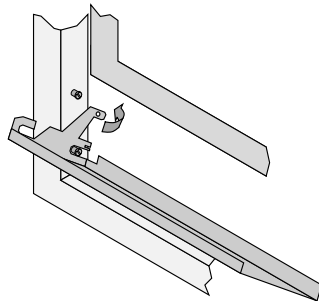
Swing the grill upwards to engage the upper slot. You will need to lift the grill slightly to get it over the bushing. Once in place the grill is held in place by gravity.



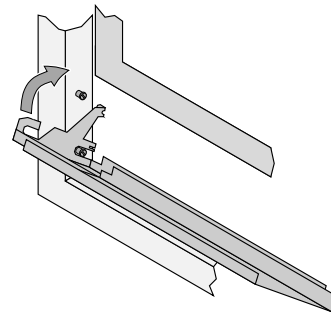
### Lower Grill Installation



Hold the grill at an angle and insert the lower slot over the bushing on the fireplace (both sides). You may need to press on the grill to get the tab over the bushing (this prevents the grill from accidentally falling off).



Bend the tab outward on both sides. This is the end-stop for the lower grill, it allows the grill to swing forward.

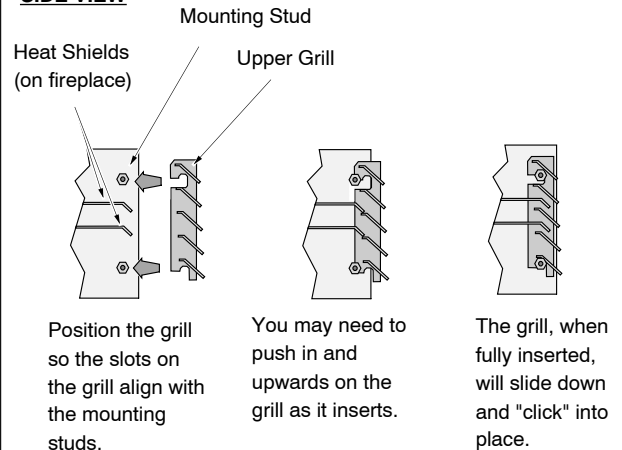


Swing the grill upwards to engage the upper slot. You will need to lift the grill slightly to get it over the bushing. Once in place the grill is held in place by gravity.

### Upper Grill Installation (Lopi)

**NOTE: The upper grill is difficult to install the first time - be patient, after you install it, you will know how it installs and it will be much easier the second time.**

#### SIDE VIEW

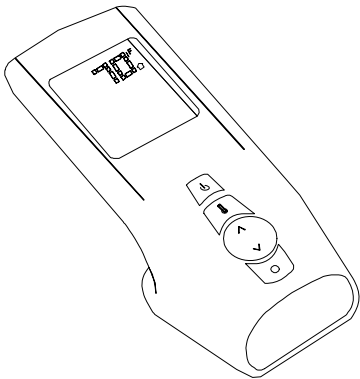


## GreenSmart™ Remote Control Installation

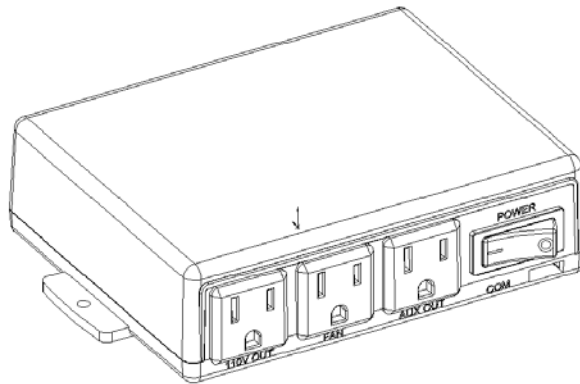
### Packing List

- Transmitter
- Receiver (with Cover Plate & Switch)
- Fan Control Module
- Velcro
- LP or NG Stepper Motor (with screws and label - attaches to Valve)
- Wire Harness
- (2) Power Leads
- (4) AA Batteries (inside receiver box)
- (2) #8 x 1/2" Machine Screws
- (2) Wire Ties
- Torx T-20 Wrench
- Wall Mount (for placing the transmitter on a wall)
- (2) Drywall anchors (for wall mount)
- (2) #8 x 3/8" Type B Screws

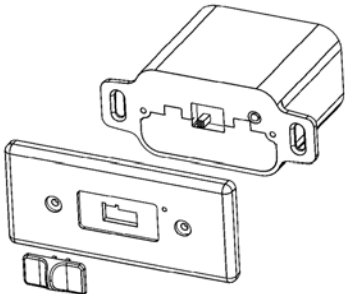
### Transmitter



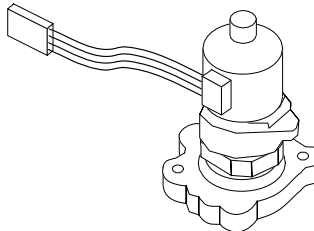
### Fan Control Module



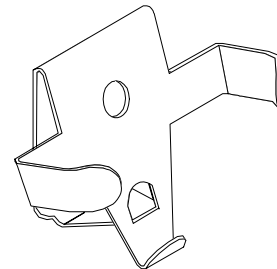
### Receiver



### Stepper Motor



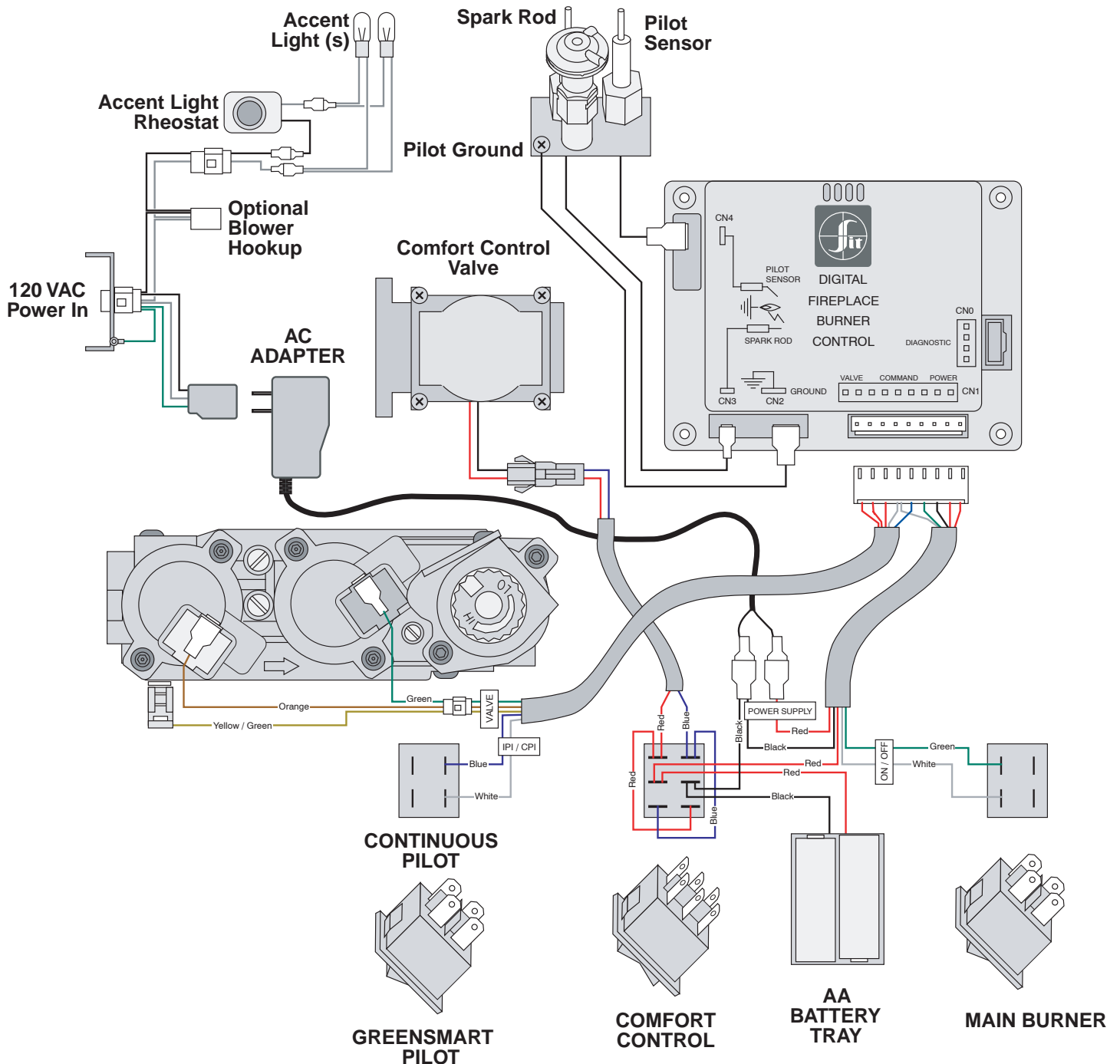
### Transmitter Wall Mount



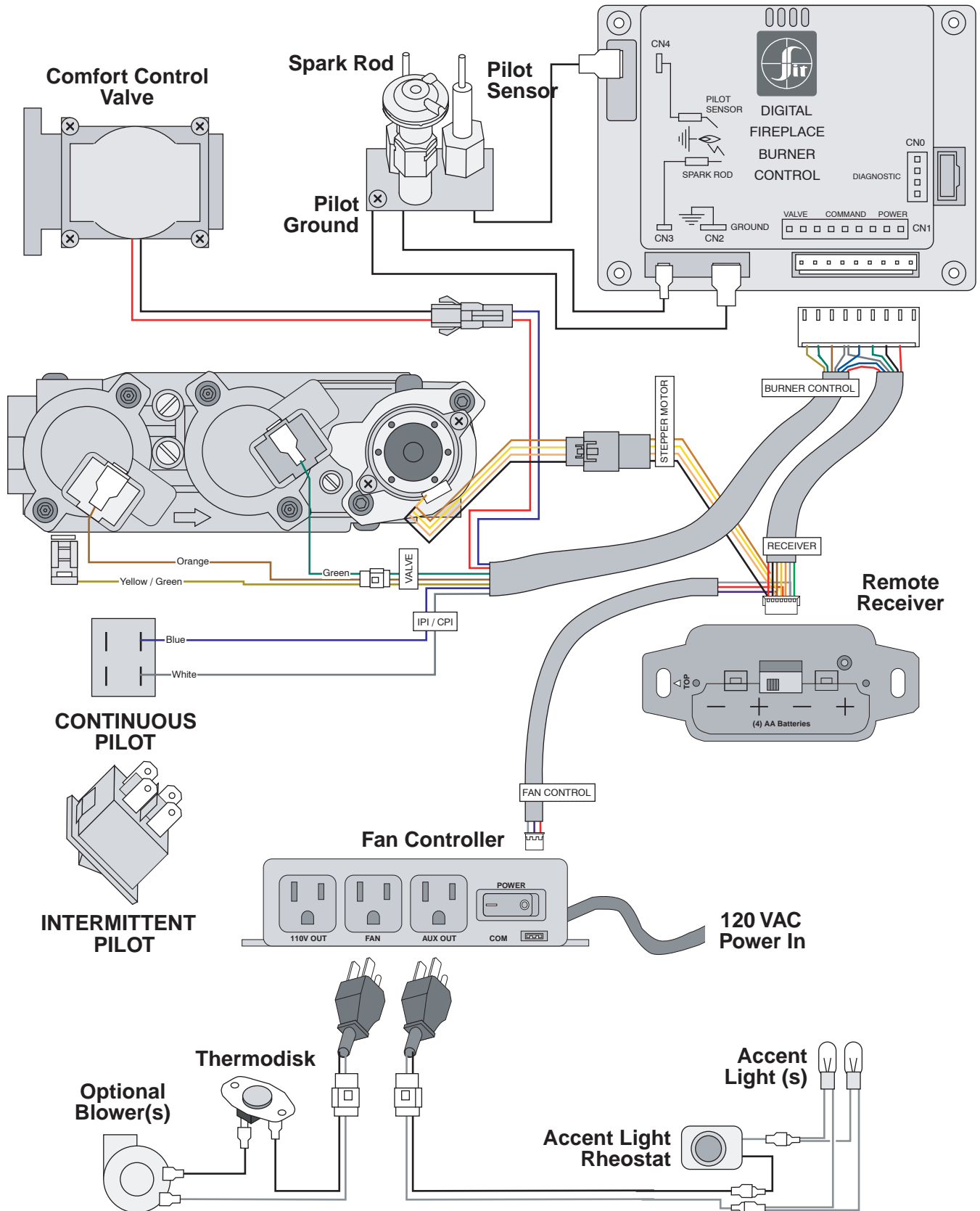
## Overview

The GreenSmart remote installs onto the fireplace and replaces the stock wiring harness. Before installing, familiarize yourself with the stock and updated wiring diagrams (see the illustrations on this page and the following page).

## Stock Wiring Diagram



GreenSmart Wiring Diagram



## Installation

**WARNING:** Make sure power to the fireplace has been shut off prior to installation.

**NOTE:** Refer to the wiring diagram on page 62 while making wiring harness connections.

- 1 Remove the concealment cover (see Figure 1).



Figure 1

- 2 Unscrew the four screws holding the control cover in place (see Figure 2). Carefully remove the control cover (see Figure 3)



Figure 2



Figure 3

- 3 Unplug the ac adapter from the power harness (see Figure 4). You can leave the ac adapter plugged into the wiring harness.



Figure 4

- 4 Disconnect the molex connector leading to the gas control valve (see Figure 5).  
**WARNING:** The tabs on the gas control valve are fragile. Take care when removing the molex connector to not pull or damage the wires or tabs.

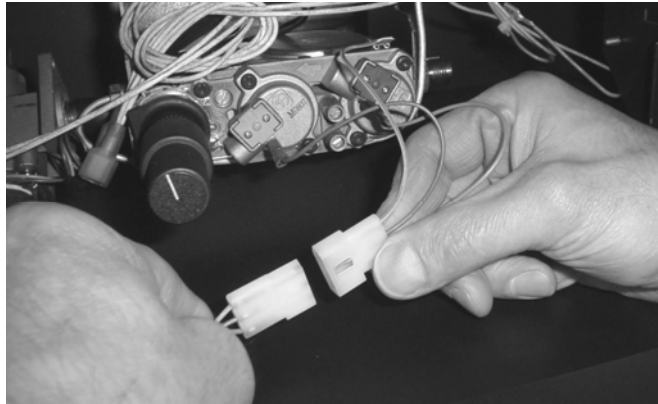


Figure 5

- 5 Disconnect the two leads on the back of the control panel for the IPI / CPI switch (continuous pilot / greensmart pilot – see Figure 6).

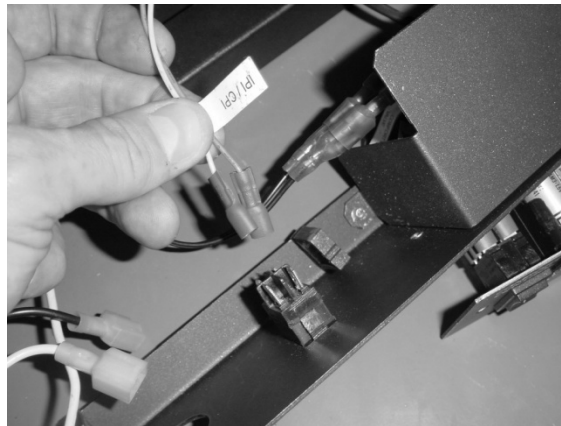


Figure 6

- 6 Disconnect the comfort control valve connection (see Figure 7). Disconnect the burner control connector from the fireplace burner control (see Figure 8).

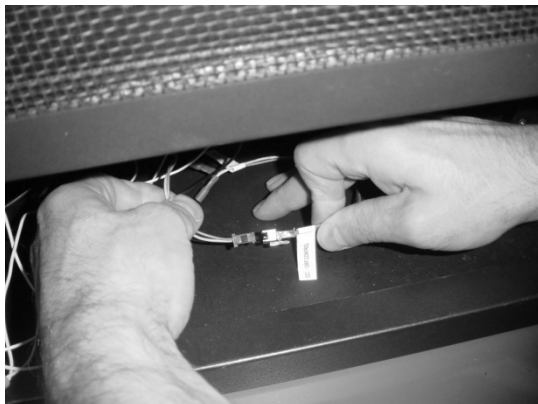


Figure 7

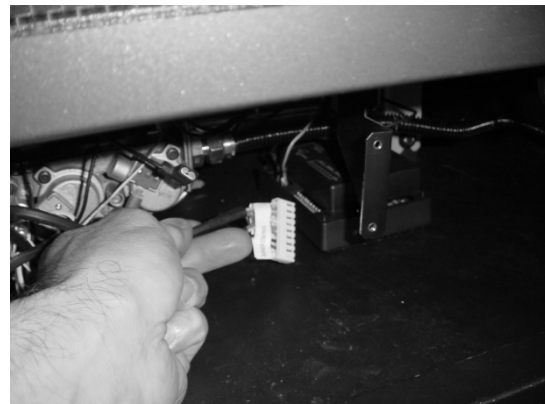


Figure 8

- 7 Unscrew the on/off/battery plate from the control panel (see Figure 9). Pull the plate and wiring forward (see Figure 10).

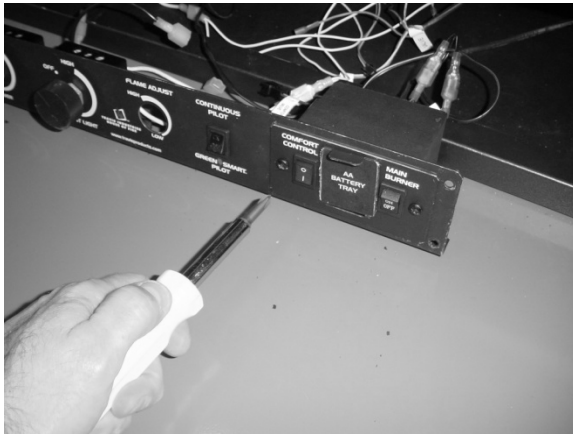


Figure 9

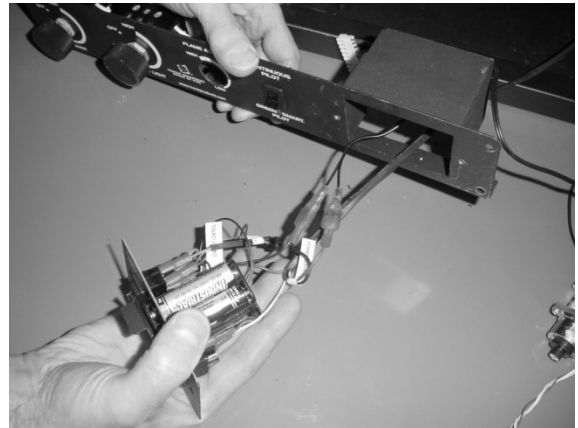


Figure 10

- 8 The control panel has plastic wire-locks attached to the back (see Figure 11). Un-hook the wires from the wire-locks and remove the wiring harness, plate, battery holder, and ac adapter (see Figure 12). These items may be discarded.

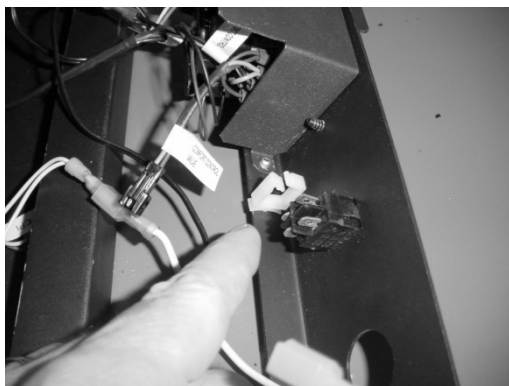


Figure 11

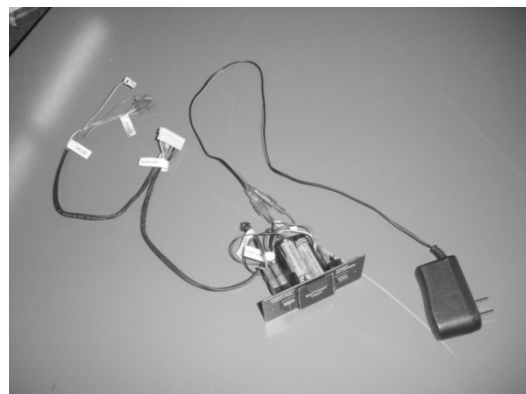


Figure 12

- 9 Use the included torx wrench to remove the stock regulator (see Figure 13). These items may be discarded.



Figure 13

- 10 The stepper motor (adjustable regulator) has an installation sheet included with it – make sure to follow all of the directions. Place the stepper motor on the gas control valve (see Figure 14) – **MAKE SURE IT IS CORRECTLY ORIENTED.** Secure using the screws included with the motor (see Figure 15) – tighten to 25 Lb-inches. Leak test this area after installation to verify proper installation.



Figure 14

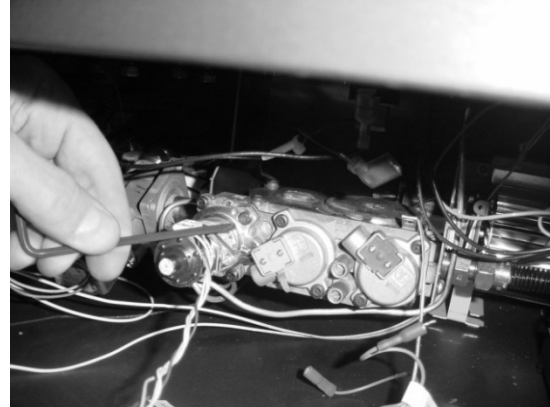


Figure 15

- 11 Place the GreenSmart wiring harness in front of the fireplace, noting the position of each connector (see .Figure 16).

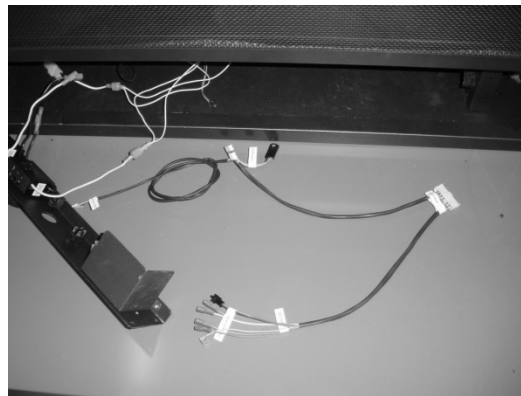


Figure 16

- 12 Attach the wiring harness to the burner control (see Figure 17). Attach the gas control valve molex connector (see Figure 18).

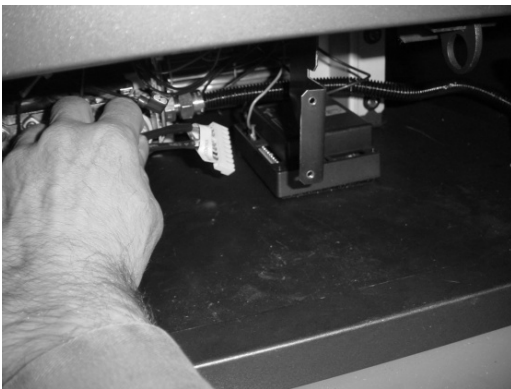


Figure 17

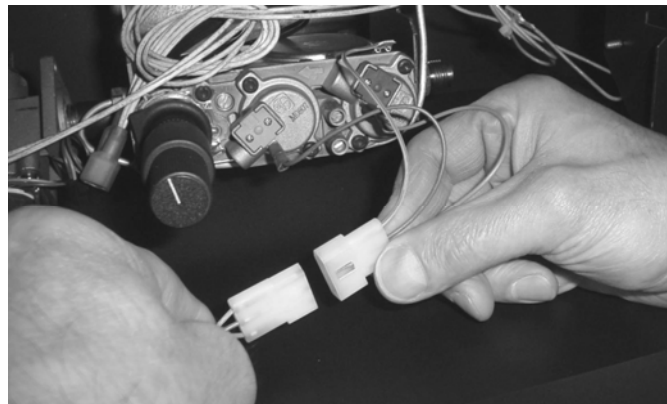


Figure 18



- 13 Attach the blue and white wires to the IPI/CPI switch (see Figure 19). Connect the wiring harness to the stepper motor (see Figure 20).

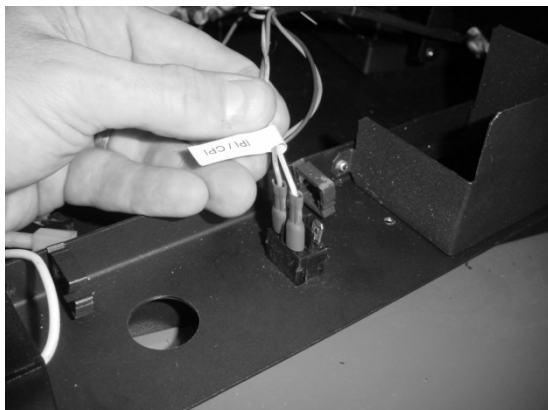


Figure 19

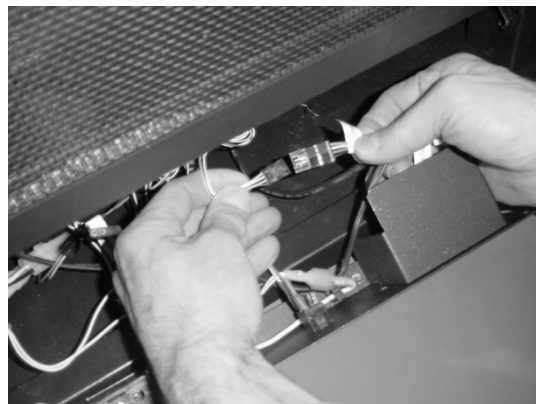


Figure 20

- 14 Attach the wiring harness to the comfort control valve connection (see Figure 21).

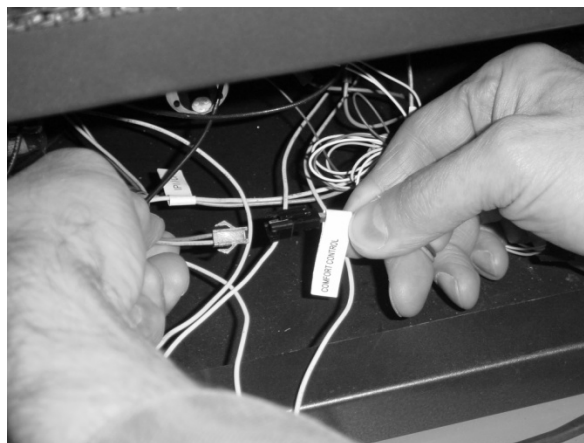


Figure 21

- 15 Place the fan controller near the front of the fireplace to the left and connect it to the wiring harness (see Figure 22). Attach the power cord from the fan controller to the AC connection (see Figure 23). **MAKE SURE TO TURN THE FAN CONTROLLER ON** ("-" SYMBOL).

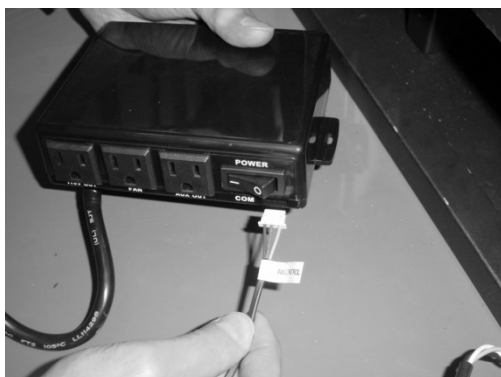


Figure 22



Figure 23

- 16 Disconnect the power lead from accent light and connect it to the power lead included with this kit (see Figure 24). Attach the power lead to the fan controller in the "AUX OUT" receptacle (see Figure 25).

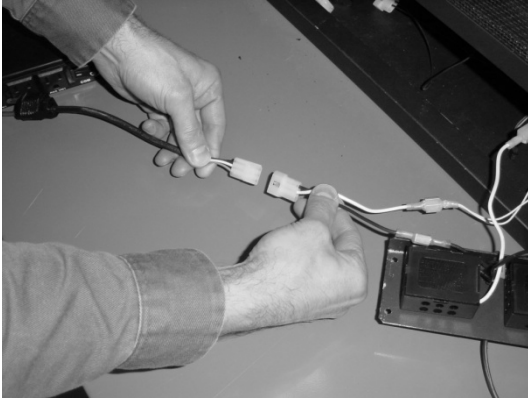


Figure 24



Figure 25

**NOTE:** If using the optional fan, you will want to disconnect its power lead and connect it to the extra power lead included with this kit, then connect it to the "FAN" receptacle on the fan controller.

- 17 Attach the included velcro to the bottom of the fan control module and to the base of the fireplace near back left of the fireplace. Slide the fan controller into place and secure using the velcro (see Figure 26).



Figure 26

- 18 Pull the "RECEIVER" connector through the control panel and attach to the receiver (see Figure 27). Then attach the receiver to the control panel with the two #8 machine screws (see Figure 28).

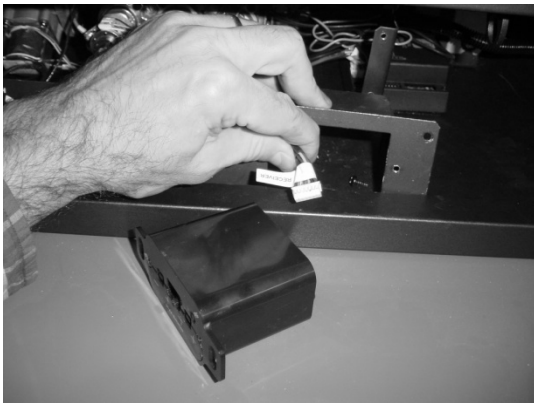


Figure 27



Figure 28

- 19 Place batteries into the receiver and transmitter (see Figure 29). Calibrate the receiver to the transmitter (see Figure 30 - use a paperclip to press the "PRG" button, let it beep, then press any button on the transmitter – the receiver should beep 5 times – see the operating instructions for further details).



Figure 29



Figure 30

- 20 Place the receiver coverplate (and switch) over the receiver (see Figure 31) and attach with the two screws included with the receiver (see Figure 32)



Figure 31

Figure 32

- 21 Clip any excess wiring into the wire clips on the back of the control panel (see Figure 33). Use the included wire ties, if necessary, to keep all wiring from contacting any hot or moving components. Re-attach the control panel (see Figure 34) and shroud (see Figure 1).

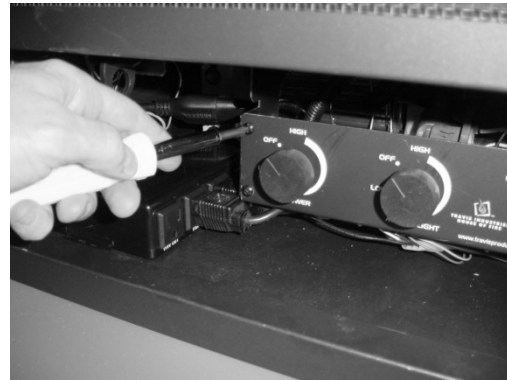
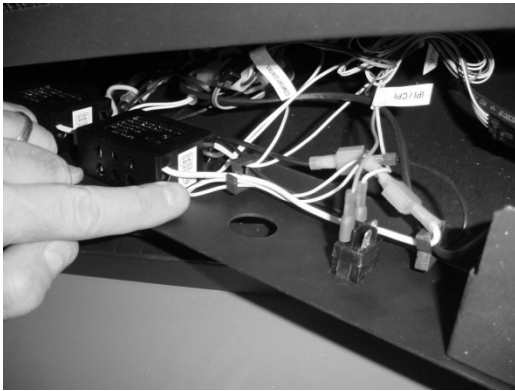


Figure 33

Figure 34

- 22 A wall mount is included with this kit for the remote. It may be mounted to the wall for easy access and storage. Use the included drywall anchors (and screws) to secure it to the wall (see Figure 35).

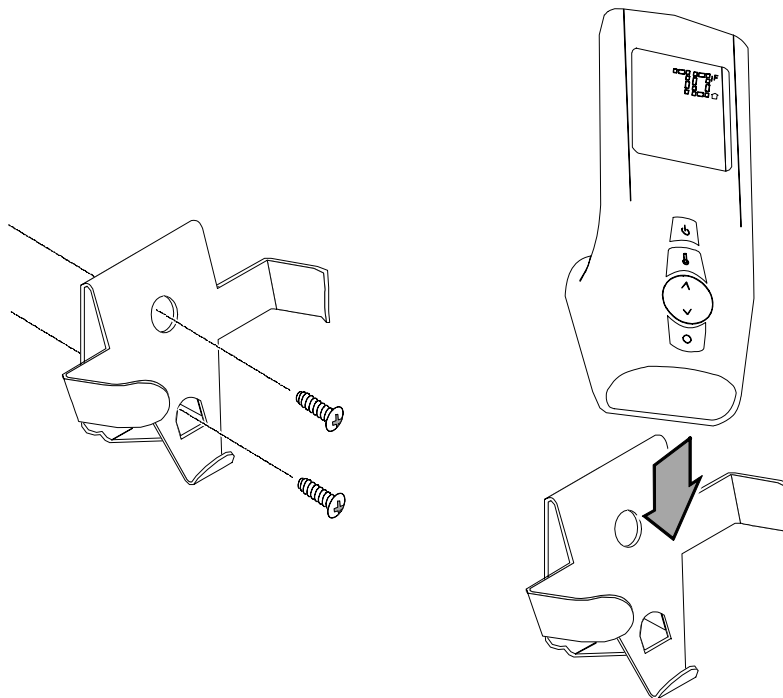


Figure 35

- 23 Restore power to the fireplace and test operation of the remote (see the instructions included with the remote).



## Index

Additional Items Required .....	7	Minimum Framing Dimensions - Rear Vent Configuration .....	13
Air Shutter Adjustment .....	45	Minimum Framing Dimensions - Top Vent Configuration .....	14
Altitude Considerations .....	22	Nailing Brackets .....	15
Approved Vent Configurations .....	24	Optional Wall Switch or Thermostat Installation .....	21
Approved Vent .....	23	Overview .....	2
Clearances .....	12	Packing List .....	7
Converting the Fireplace to Top Vent Configuration ....	10	Raised Fireplaces .....	12
Corner Installations - Rear Vent Configuration .....	16	Rear Vent Configuration with Horizontal Termination (no vertical rise).....	27
Corner Installations - Top Vent Configuration .....	17	Rear Vent Configuration with Horizontal Termination (with vertical rise)...	28
Crushed Glass Installation .....	52	Rear Vent Configuration with Vertical Termination.....	29
Diffuser Plate Adjustment.....	26	Recommended Installation Procedure .....	7
Dimensions .....	6	GreenSmart™ Remote Control Installation .....	58
Drywall Installation .....	34	Restrictor Position .....	24
Electrical Connection (required) .....	20	Safety Precautions .....	4
Exhaust Restrictor Adjustment.....	24	Steps for Finalizing the Installation.....	44
Facing Overview .....	35	Termination Requirements .....	32
Facing Requirements .....	34	Thick Facing Installation with FPX Arched Faces .....	39
Features .....	6	Thick Facing Installation.....	38
Fireback Installation .....	48	Thin Facing Installation .....	36
Fireplace Placement Requirements .....	12	Top Vent Configuration with Horizontal Termination ....	30
Fuel .....	18	Top Vent Configuration with Vertical Termination .....	31
Gas Inlet Pressure .....	18	Top Stand-Off Assembly .....	9
Gas Line Connection.....	18	Vent Clearances.....	22
Gas Line Location .....	18	Vent Installation.....	23
Gas Line Requirements.....	18	Vent Requirements .....	22
Glass Frame Removal and Installation.....	46		
Grill Installation.....	57		
Hearth Requirements .....	33		
Heating Specifications.....	6		
Index .....	70		
Installation Example - Build-In with Horizontal Termination.....	43		
Installation Options.....	6		
Installation Overview .....	7		
Intake Restrictor Adjustment.....	25		
Listing Details.....	2		
LP Conversion Instructions .....	53		
Mantel Requirements .....	41		