

# 864 ST Fireplace

## Installation

## Manual

Tested and Listed by



OMNI-Test  
Laboratories, Inc.  
Beaverton, Oregon  
Report # 028-F-84-5  
ANSI Z21.88b-2003



- Built-In Direct Vent Fireplace
- Natural Gas or Propane
- Residential or Mobile Home

**WARNING:** If the information in these instructions is not followed exactly, a fire or explosion may result causing property damage, personal injury or loss of life.

- Do not store or use gasoline or other flammable vapors and liquids in the vicinity of this or any other appliance.

#### WHAT TO DO IF YOU SMELL GAS

- Do not try to light any appliance.
- Do not touch any electrical switch; do not use any phone in your building.
- Immediately call gas supplier from a neighbor's phone. Follow the gas supplier's instructions.
- If you cannot reach your gas supplier, call the fire department.
- Installation and service must be performed by a qualified installer, service agency or the gas supplier.

This appliance may be installed in an aftermarket permanently located, manufactured home (USA only) or mobile home, where not prohibited by local codes.

This appliance is only for use with the type(s) of gas indicated on the rating plate. A conversion kit is supplied with the appliance.

**INSTALLER:** Leave this manual with the appliance.

**CONSUMER:** Retain this manual for future reference.

© Copyright 2007, T.I.      \$10.00      100-01195\_000      4071126



**TRAVIS INDUSTRIES  
HOUSE OF FIRE**

4800 Harbour Pointe Blvd. SW  
Mukilteo, WA 98275

**Overview**

This manual details the installation requirements for the 864 ST (See Through) fireplace. For operating and maintenance instructions, refer to the 864 ST Owner's Manual (part # 100-01196).

**Listing Details**

This appliance was listed by OMNI-Test Laboratories, Inc. to ANSI Z21.88 - report # 028-F-84-5. The listing label is attached to the appliance near the gas control valve. A copy is shown to the right.

**IAS (ICBO) Approval**

This appliance was listed by OMNI-Test Laboratories, Inc. - IAS # TL130 (previously ICBO).

**Massachusetts Approval**


This manual has been submitted to the Massachusetts Board of State Examiners of Plumbers and Gas Fitters

**National Fireplace Institute**



We suggest that our gas hearth products be installed and serviced by professionals who are certified in the U.S. by the National Fireplace Institute® (NFI) as NFI Gas Specialists.

[www.nficertified.org](http://www.nficertified.org)


  
 Tested & Listed by OMNI-Test Laboratories, Inc.

**864 ST**  
 Vented Gas Fireplace Heater

Certified for USA and Canada  
 Report No. 028-F-84-5  
 OMNI-Test Laboratories, Inc.  
 10000 W. 10th Avenue, Suite 100  
 Denver, CO 80202

Tested for: ANSI Z21.88-2007/CSA 2.339-2007 "Vented Gas Fireplace Heater", CGA 2.17-M91, UL 307b-1995 "Gas Burning Heating Appliances for Manufactured Homes", and CSA P4.1-02.  
 This appliance must be installed in accordance with local codes, if any; if none, follow the National Fuel Gas Code, ANSI Z223.1/NFPA 54, or Natural Gas and Propane Installation Codes, CSA B149.1.  
 This appliance must be installed in accordance with the current Standard CAN/CSA 2240 MH, Mobile Housing, in Canada or with the Manufactured Home Construction and Safety Standard, Title 24CFR, Part 3280, in the United States or when such a standard is not applicable, ANSI/CSBCS A225, NFPA 501A, Manufactured Home Installation Standard.  
 This vented gas fireplace heater is equipped at the factory for use with natural gas. If conversion to propane (LP) is desired, the optional factory conversion kit must be used.  
 This appliance is only for use with the type of gas indicated on the rating plate and may be installed in an aftermarket, permanently located, manufactured (mobile home USA only) where not prohibited by local codes. See manual for details. This appliance is not convertible for use with other gases, unless a certified kit is used.  
 This vented gas fireplace heater is not for use with air filters.  
 Keep burner and control compartment clean. See installation and operating instructions accompanying appliance.  
 This appliance must be properly connected to a venting system in accordance with the manufacturer's installation instructions. Use only approved coaxial direct vent system to vent this appliance to the exterior. See manual for approved brands of venting.  
 WARNING: Improper installation, adjustment, alteration, service or maintenance can cause injury or property damage. Refer to the manual provided with this appliance. For assistance or additional information consult a qualified installer, service agency or the gas supplier.

**VENTED GAS FIREPLACE HEATER – NOT FOR USE WITH SOLID FUEL**

**CAUTION:** Hot while in operation. Do not touch. Severe burns may result. Keep children, clothing, furniture, gasoline and other liquids having flammable vapors away. Do not operate this appliance with glass removed, cracked or broken. Replacement of the panel(s) should be done by a licensed or qualified service person.

IGN 039


		Minimum Clearances to Combustibles	
		L.P.	N.G.
Fireplace to Adjacent Wall	1,0" (25mm)	Header (from stand-offs)	0" (0mm)
Wood Floor Beneath Fireplace	0,0" (0mm)	Sides to Enclosure	Left Side 1/2" (12mm) Right Side 0" (0mm)
Base to Enclosure	42" (1067mm)	Base of Fireplace to a 12" Mantel (see manual for other details)	48,75" (1238 mm)
Input Rate on "H" (BTU/Hr)	37,500	Minimum Inlet Pressure (inches W.C.)	17" 5,5"
Input Rate on "L" (BTU/Hr)	10,000	Maximum Inlet Pressure (inches W.C.)	13" 7"
		Mantle Pressure on "H" (inches W.C.)	10" 3,5"

For natural gas when equipped with the following drill size orifice: DMS #44 Outer, #48 Center  
 For propane when equipped with the following drill size orifice: DMS #55 Outer, #55 Center  
 This appliance is equipped for use only at altitudes 0-2,000 feet (0-610 m). In Canada 0-4,500 feet (0-1,370 m).  
 For altitudes above 2,000 feet, the vent configuration, orifice, or combination of both may need to be changed.  
 See the manual for information on making these changes.

Manufacture

Date:

2007	Jan.	Apr.	Jul.	Oct.
2008	Feb.	May	Aug.	Nov.
2009	Mar.	Jun.	Sep.	Dec.



TRAVIS INDUSTRIES  
 HOUSE OF FIRE  
 4800 Harbour Pointe Blvd, SW Mukilteo, WA 98275

## **Introduction**

Overview.....	2
Listing Details.....	2

## **Safety Precautions**

Safety Precautions.....	4
-------------------------	---

## **Features and Specifications**

Features.....	6
Installation Options.....	6
Heating Specifications.....	6
Dimensions.....	6

## **Installation**

Packing List.....	7
Additional Items Required.....	7
Recommended Installation Procedure.....	7
Massachusetts Requirements.....	8
Top Vent or Side Vent Configuration.....	9
Converting the Fireplace to Side Vent Configuration.....	9
Fireplace Placement Requirements.....	11
Clearances.....	11
Raised Fireplaces.....	11
Min. Framing Dims.....	12
Nailing Brackets.....	13
Gas Line Requirements.....	14
Fuel.....	14
Gas Line Connection.....	14
Gas Inlet Pressure.....	14
Gas Line Location.....	15
Electrical Connection (required).....	16
Wall Switch or Thermostat Installation.....	17
Wiring Diagram (Millivolt System).....	17
Wall Switch Installation.....	17
Vent Requirements.....	18
Vent Clearances.....	18
Altitude Considerations.....	18
Approved Vent.....	19
Vent Installation.....	19
Approved Vent Configurations.....	20
Restrictor Position.....	20
Exhaust Restrictor Adjustment.....	20
Intake Restrictor Adjustment.....	21
Diffuser Plate Adjustment.....	22
Side Vent Config. W Horizontal Term. (no vertical rise).....	23
Side Vent Config. W Horizontal Term. (w vertical rise).....	24
Side Vent Configuration with Vertical Termination.....	25
Top Vent Configuration with Horizontal Termination.....	26
Top Vent Configuration with Vertical Termination.....	27
Termination Requirements.....	28

## **Installation (continued)**

Hearth Requirements.....	29
Facing Requirements.....	30
Drywall Installation.....	30
Facing Overview.....	31
Optional Faceplates – Sizing Chart.....	31
Thin Facing Installation.....	32
Thick Facing Installation.....	34
Thick Facing Installation with FPX Arched Faces.....	35
Mantel Requirements.....	37
Install Example - Build-Out (Dog-House) w Hor. Term....	37

## **Finalizing the Installation**

Steps for Finalizing the Installation.....	38
Starting the Pilot Flame.....	38
Pilot Flame Inspection.....	38
Air Shutter Adjustment.....	39
Glass Frame Removal and Installation.....	40
Log Set Installation.....	42

## **Optional Equipment**

LP Conversion Instructions.....	52
Fireback Installation.....	56
Grill Installation.....	58
Remote Control Receiver Installation (2 Options).....	59
Extra Room Power Heat Duct (sku 98500769).....	60
Andiron Installation.....	61

## **Index**

Index.....	62
------------	----

## ***Safety Warnings:***

---

- Failure to follow all of the requirements may result in property damage, bodily injury, or even death.
- This unit must be installed by a qualified installer to prevent the possibility of an explosion.
- This appliance must be installed in accordance with all local codes, if any; if not, in U.S.A. follow ANSI Z223.1 and NFPA 54(88).
- In Manufactured or Mobile Homes must confirm with: In USA, Manufactured Home Construction and Safety Standard, Title 24 CFR, Part 3280, or, when such a standard is not applicable, the Standard for Manufactured Home Installations, ANSI/NCSCS A225.1. This appliance may be installed in Manufactured Housing only after the home is site located.
- All exhaust gases must be vented outside the structure of the living-area. Combustion air is drawn from outside the living-area structure.
- Notify your insurance company before hooking up this fireplace.
- The room heater should be inspected before use and at least annually by a qualified service person. More frequent cleaning may be required due to excessive lint from carpeting, bedding material, etc.
- The instructions in this manual must be strictly adhered to. Do not use makeshift methods or compromise in the installation. Improper installation will void the warranty and safety listing.
- This heater is approved for use with natural gas (NG) or propane (LP). Burning the incorrect fuel will void the warranty and safety listing and may cause an extreme safety hazard. Direct questions about the type of fuel used to your dealer. Check the label and flame adjust knob on the gas control valve.
- Contact your local building officials to obtain a permit and information on any installation restrictions or inspection requirements in your area.
- If the flame becomes sooty, dark orange in color, or extremely tall, do not operate the heater. Call your dealer and arrange for proper servicing.
- It is imperative that control compartments, screens, or circulating air passageways of the heater be kept clean and free of obstructions. These areas provide the air necessary for safe operation.
- Do not operate the heater if it is not operating properly in any fashion or if you are uncertain. Call your dealer for a full explanation of your heater and what to expect.
- Do not store or use gasoline or other flammable liquids in the vicinity of this heater.
- Do not operate if any portion of the heater was submerged in water or if any corrosion occurs.
- Do not place clothing or other flammable items on or near the heater. Because this heater can be controlled by a thermostat there is a possibility of the heater turning on and igniting any items placed on or near it.
- Light the heater using the built-in piezo igniter. Do not use matches or any other external device to light your heater.
- Never remove, replace, modify or substitute any part of the heater unless instructions are given in this manual. All other work must be done by a trained technician. Don't modify or replace orifices.
- The viewing glass should be opened only for lighting the pilot or conducting service.
- Any safety screen or guard removed for servicing must be replaced prior to operating the heater.

## ***Safety Warnings (continued):***

---

- Allow the heater to cool before carrying out any maintenance or cleaning.
- Operate the heater according to the instructions included in this manual.
- If the main burners do not start correctly turn the gas off at the gas control valve and call your dealer for service.
- The pilot flame must contact the thermopile and thermocouple. If it does not, turn the gas control valve to "OFF" and call your dealer.
- This unit is not for use with solid fuel.
- Do not place anything inside the firebox (except the included logs).
- If the fiber logs become damaged, replace with Travis Industries log set.
- Do not throw this manual away. This manual has important operating and maintenance instructions that you will need at a later time. Always follow the instructions in this manual.
- Do not touch the hot surfaces of the heater. Educate all children of the danger of a high-temperature heater. Young children should be supervised when they are in the same room as the heater.
- Due to the high temperature, the heater should be located out of traffic and away from furniture and draperies.
- Instruct everyone in the house how to shut gas off to the appliance and at the gas main shutoff valve. The gas main shutoff valve is usually next to the gas meter or propane tank and requires a wrench to shut off.
- **Travis Industries, Inc. grants no warranty, implied or stated, for the installation or maintenance of your heater, and assumes no responsibility of any consequential damage(s).**

**Installation Options**

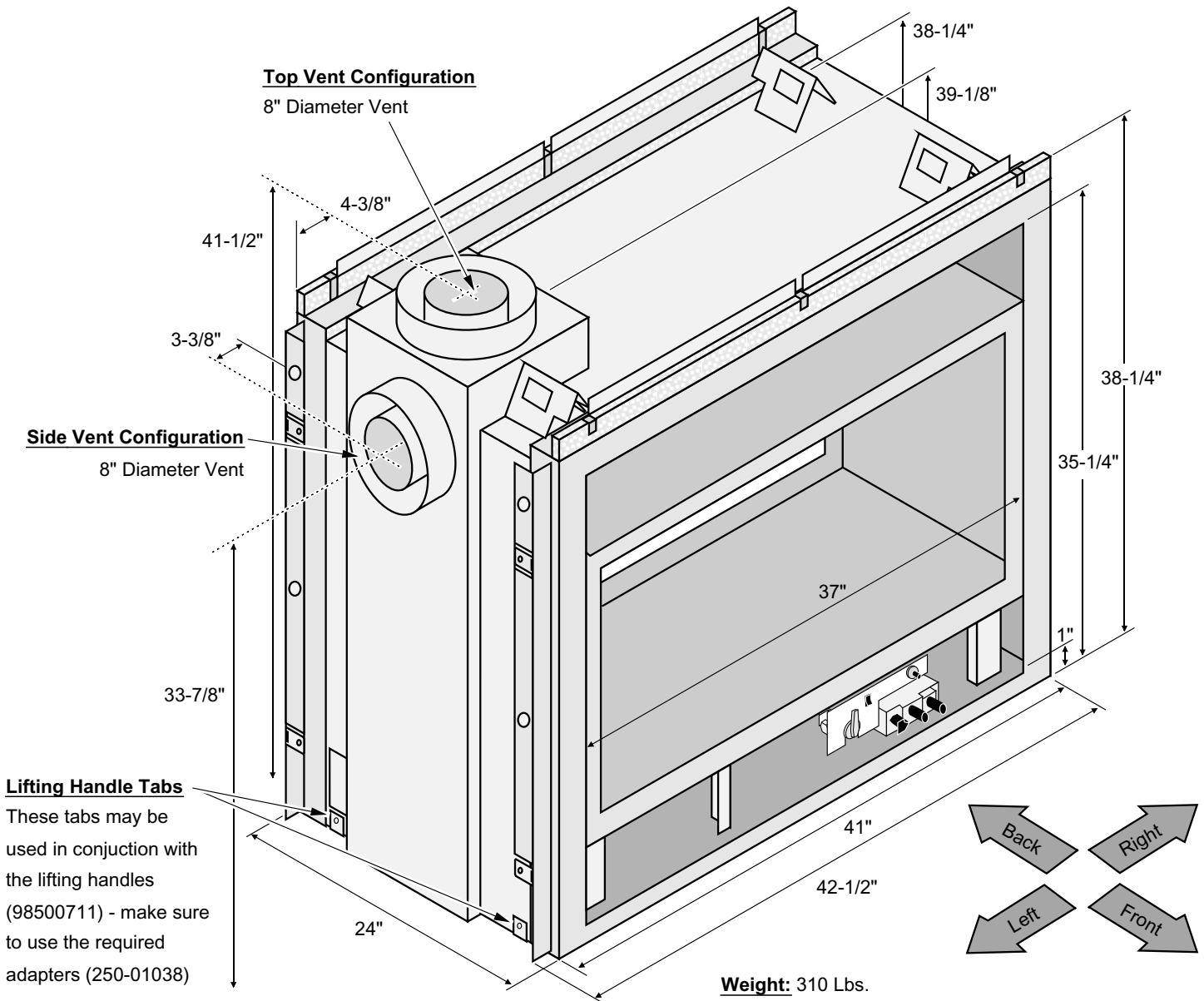
- Residential or Mobile Home
- Flush or Recessed Face
- Raised or Floor Placement
- Internal or External Chase
- Horizontal or Vertical Vent
- Bedroom Approved

**Heating Specifications**

	Natural Gas	Propane
Approximate Heating Capacity (in square feet)*	Up to 1,500	Up to 1,500
Maximum BTU Input Per Hour	37,500	37,500

\* Heating capacity will vary with floor plan, insulation, and outside temperature.

**Dimensions**



## ***Packing List***

---

- Propane Conversion Kit
- Log Set
- Wall Switch with Wire (see page 17 for details)
- Firestop (sku 93006094)

## ***Additional Items Required***

---

- Direct Vent
- Gas Line Equipment (shutoff valve, pipe, etc.)
- Electrical Equipment (min. 14 gauge, grounded line)
- Two Grill Kits and/or Faces

## ***Recommended Installation Procedure***

---

- Prepare the framing, making sure to leave the area around the fireplace open (see page 12). Make sure to allow for vent installation and facing depth.
- Place the fireplace into position.
- Install the vent, gas line and electrical hook-up.
- Finalize the framing around the fireplace.
- Secure the fireplace to the framing.
- Install the wall switch (see page 17) or thermostat (if applicable).
- Install the drywall.
- Install the hearth (if applicable).
- Install the facing (if applicable).
- Install the mantel (if applicable).
- Finalize the installation (see page 38) and install the grill or face.

## 8 Finalizing the Installation (for qualified installers only)

### Massachusetts Requirements

NOTE: The following requirements reference various Massachusetts and national codes not contained in this document.

#### Requirements for the Commonwealth of Massachusetts

For all side wall horizontally vented gas fueled equipment installed in every dwelling, building or structure used in whole or in part for residential purposes, including those owned or operated by the Commonwealth and where the side wall exhaust vent termination is less than seven (7) feet above finished grade in the area of the venting, including but not limited to decks and porches, the following requirements shall be satisfied:

##### Installation of Carbon Monoxide Detectors

At the time of installation of the side wall horizontal vented gas fueled equipment, the installing plumber or gasfitter shall observe that a hard wired carbon monoxide detector with an alarm and battery back-up is installed on the floor level where the gas equipment is to be installed. In addition, the installing plumber or gasfitter shall observe that a battery operated or hard wired carbon monoxide detector with an alarm is installed on each additional level of the dwelling, building or structure served by the side wall horizontal vented gas fueled equipment. It shall be the responsibility of the property owner to secure the services of qualified licensed professionals for the installation of hard wired carbon monoxide detectors.

In the event that the side wall horizontally vented gas fueled equipment is installed in a crawl space or an attic, the hard wired carbon monoxide detector with alarm and battery back-up may be installed on the next adjacent floor level.

In the event that the requirements of this subdivision can not be met at the time of completion of installation, the owner shall have a period of thirty (30) days to comply with the above requirements; provided, however, that during said thirty (30) day period, a battery operated carbon monoxide detector with an alarm shall be installed.

##### Approved Carbon Monoxide Detectors

Each carbon monoxide detector as required in accordance with the above provisions shall comply with NFPA 720 and be ANSI/UL 2034 listed and IAS certified.

##### Signage

A metal or plastic identification plate shall be permanently mounted to the exterior of the building at a minimum height of eight (8) feet above grade directly in line with the exhaust vent terminal for the horizontally vented gas fueled heating appliance or equipment. The sign shall read, in print size no less than one-half (1/2) inch in size, "GAS VENT DIRECTLY BELOW. KEEP CLEAR OF ALL OBSTRUCTIONS".

##### Inspection

The state or local gas inspector of the side wall horizontally vented gas fueled equipment shall not approve the installation unless, upon inspection, the inspector observes carbon monoxide detectors and signage installed in accordance with the provisions of 248 CMR 5.08(2)(a)1 through 4.

##### Exemptions

The following equipment is exempt from 248 CMR 5.08(2)(a)1 through 4:

- The equipment listed in Chapter 10 entitled "Equipment Not Required To Be Vented" in the most current edition of NFPA 54 as adopted by the Board; and
- Product Approved side wall horizontally vented gas fueled equipment installed in a room or structure separate from the dwelling, building or structure used in whole or in part for residential purposes.

## MANUFACTURER REQUIREMENTS

##### Gas Equipment Venting System Provided

When the manufacturer of Product Approved side wall horizontally vented gas equipment provides a venting system design or venting system components with the equipment, the instructions provided by the manufacturer for installation of the equipment and the venting system shall include:

- Detailed instructions for the installation of the venting system design or the venting system components; and
- A complete parts list for the venting system design or venting system.

##### Gas Equipment Venting System NOT Provided

When the manufacturer of a Product Approved side wall horizontally vented gas fueled equipment does not provide the parts for venting the flue gases, but identifies "special venting systems", the following requirements shall be satisfied by the manufacturer:

- The referenced "special venting system" instructions shall be included with the appliance or equipment installation instructions; and
- The "special venting systems" shall be Product Approved by the Board, and the instructions for that system shall include a parts list and detailed installation instructions.

A copy of all installation instructions for all Product Approved side wall horizontally vented gas fueled equipment, all venting instructions, all parts lists for venting instructions, and/or all venting design instructions shall remain with the appliance or equipment at the completion of the installation.

See Gas Connection section for additional Commonwealth of Massachusetts requirements.



## Top Vent or Side Vent Configuration

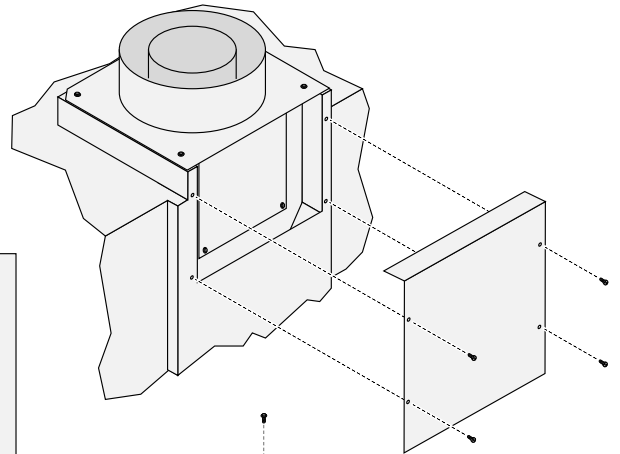
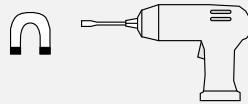
This appliance is shipped in the top vent configuration. To change to the side vent configuration, follow the directions below.

**NOTE:** the vent configuration affects several aspects of installation (framing, maximum vent rise, maximum vent run). When reviewing the installation requirements make sure to pay attention to the type of configuration being used.

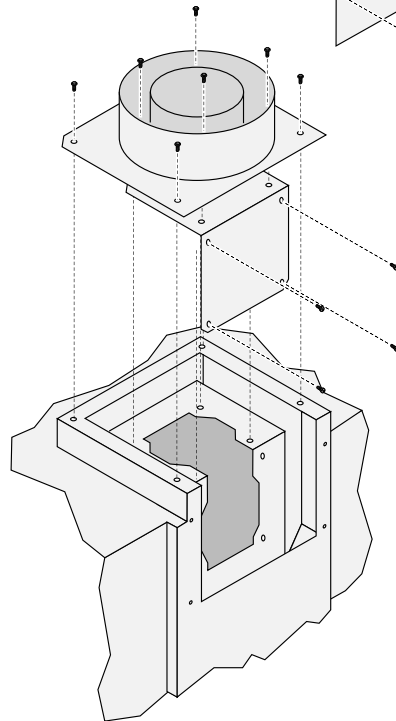
### Converting the Fireplace to Side Vent Configuration

Remove the back plate on the fireplace.

**NOTE:** Use a magnetic-tipped nutdriver on these screws - take care to prevent the screws from falling into the fireplace.

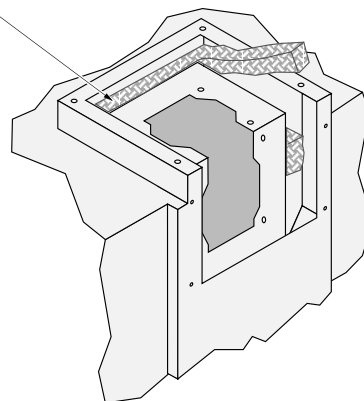


Remove the flue assembly.



Tuck the two **24"** pieces of insulation into the area between the exhaust manifold and fireplace can.

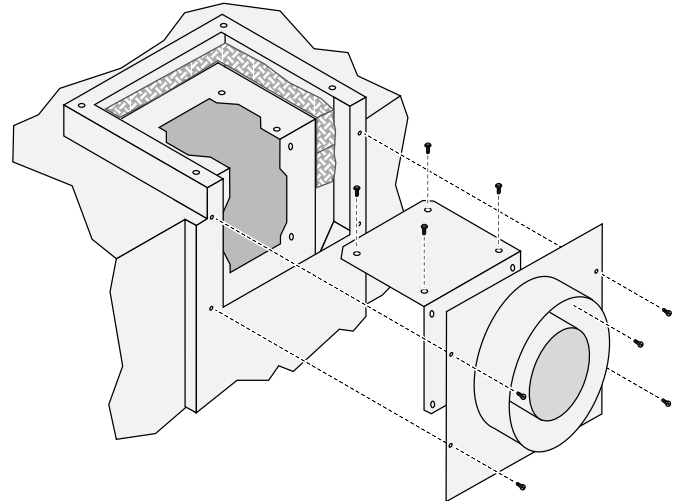
**WARNING:** Failure to properly place the insulation will void the warranty and create a safety hazard.



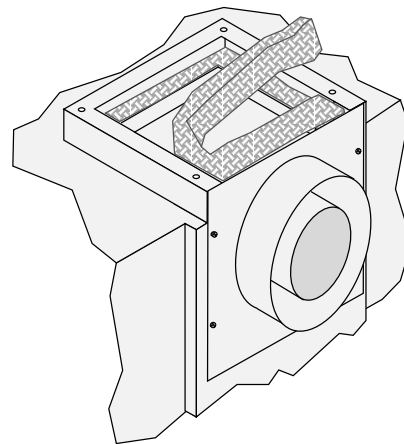
## 10 Finalizing the Installation (for qualified installers only)

### Converting the Fireplace to Side Vent (continued)

Re-attach the flue assembly in the side position.

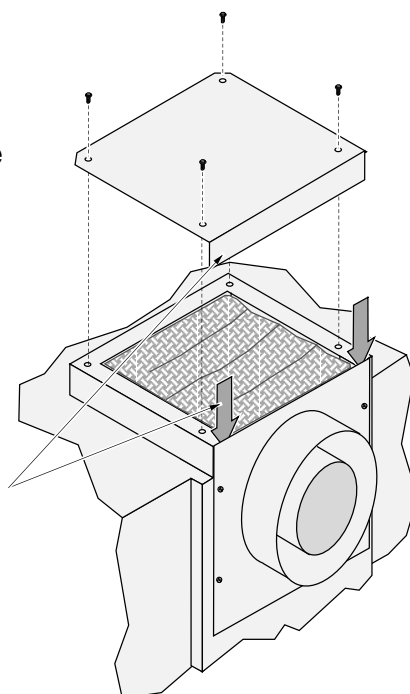


Tuck the two **20"** pieces of insulation into the area above the exhaust manifold and fireplace can. Note how the insulation is folded in half and covers the entire area above the exhaust manifold (see illustration below).



**WARNING: Failure to properly place the insulation will void the warranty and create a safety hazard.**

Re-attach the back plate to the top of the fireplace.



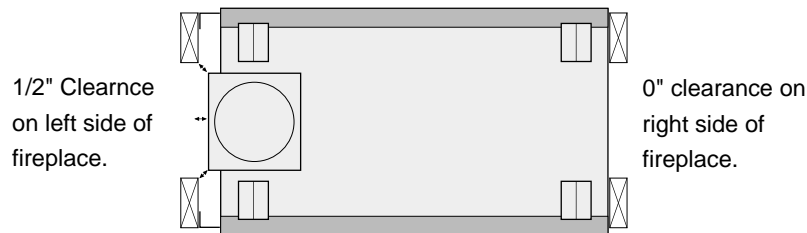
**NOTE:** Make sure the flange on the back plate tucks between the fireplace and the flue assembly.

## Fireplace Placement Requirements

- Fireplace must be installed on a level surface capable of supporting the fireplace and vent
- Fireplace must be placed directly on wood or non-combustible surface (not on linoleum or carpet)
- This heater may be placed in a bedroom. Please be aware of the large amount of heat this appliance produces when determining a location.
- Fireplace must be installed in a room with a minimum ceiling height of 84".

## Clearances

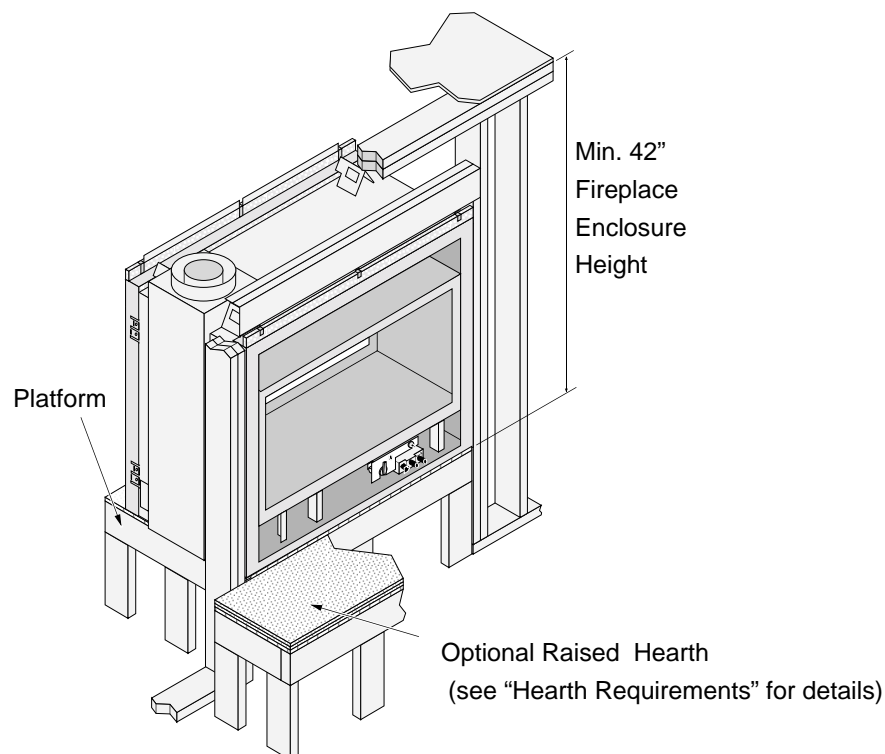
- The fireplace requires a 1/2" clearance from the left side of the fireplace to the framing members. No material (insulation, framing, etc.) may be placed into this area.



- When installed, walls either in front or behind the fireplace must be a minimum 1" to the side of the fireplace. Only 1 side wall is allowed within 12" of the side of the fireplace.
- Due to the high temperature, the heater should be located out of traffic and away from furniture and draperies.
- Fireplace must be placed so the vents below and above the glass do not become blocked.

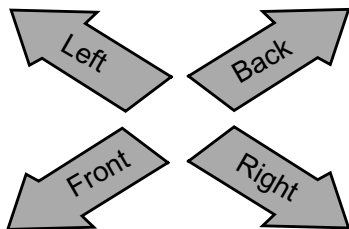
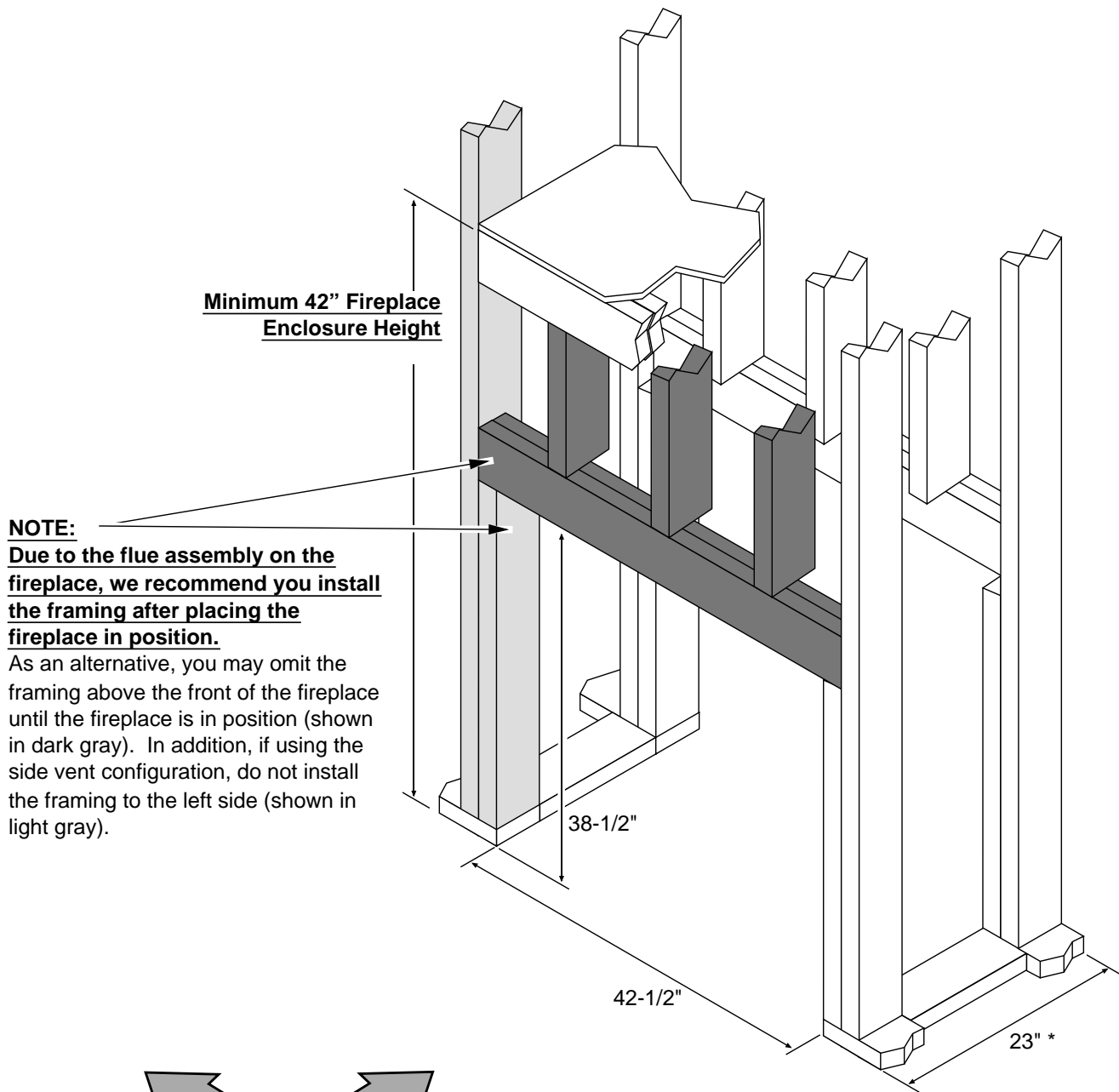
## Raised Fireplaces

- The fireplace (and hearth, if desired) may be placed on a platform designed to support the fireplace (310 Lbs.) and vent.



# 12 Finalizing the Installation (for qualified installers only)

## Minimum Framing Dimensions – Top or Side Vent Configuration



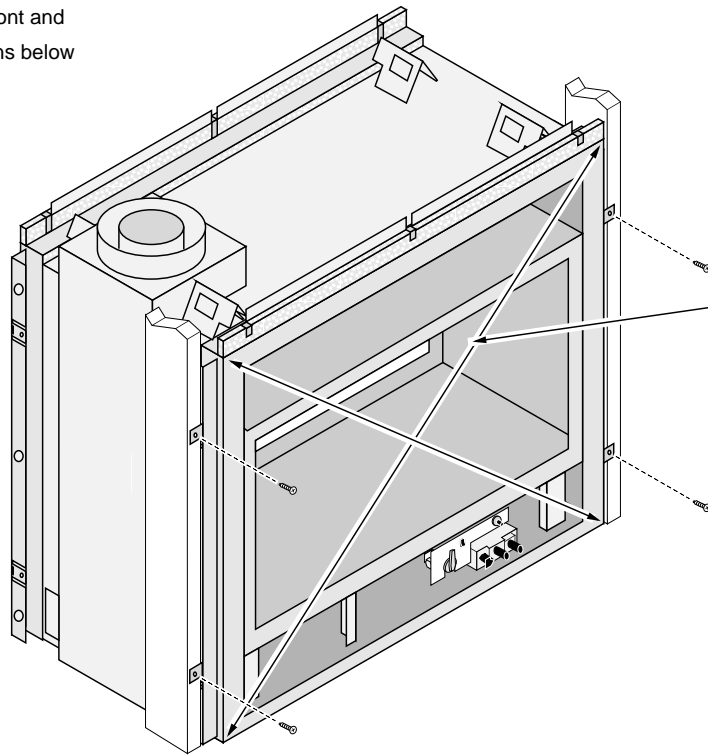
\* The 23" dimension is based upon 1/2" drywall around the perimeter of the fireplace on both sides. If using thicker drywall (or other facing), you will need to adjust this dimension.

## Nailing Brackets

There are eight nailing brackets on the front and back of the fireplace. Follow the directions below to prepare the nailing brackets. Once in place, nail or screw the nailing brackets to the framing.

**NOTE:** Additional nailing brackets are provided along the base of the fireplace. Use these brackets if not using the front brackets.

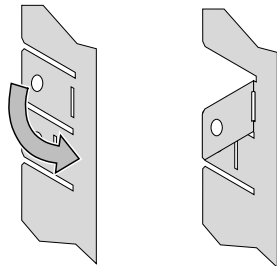
**NOTE:** You may need to bend the tabs out on one side then slide the fireplace out to bend the tabs out on the opposite side



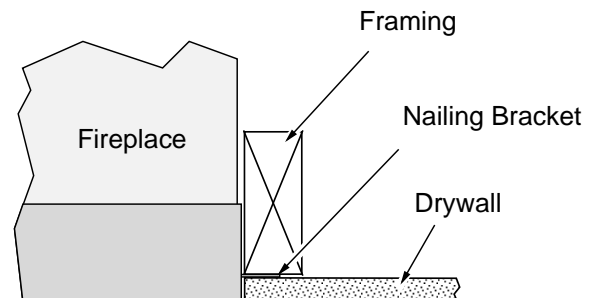
**WARNING:** Make sure the fireplace is square and plumb when placed in the framing. Measured corner-to-corner, the fireplace should be square (approx. 54-7/8" for each dimension). Use shims to insure the fireplace is square.

## 1/2" Drywall

For installations using 1/2" facing fold the larger tabs out 90° on the right side (use a screwdriver if necessary). Bend the tabs out on the left side

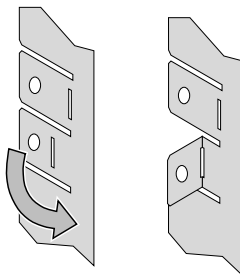


### TOP VIEW

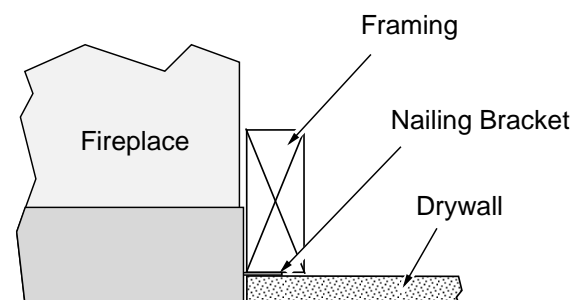


## 5/8" Drywall

For installations using 5/8" drywall fold the shorter tab out 90° on the right side. (use a screwdriver if necessary). On the left side, remove the side standoff (screws hold it in place) and re-attach it in the alternative holes provided.



### TOP VIEW



# 14 Finalizing the Installation (for qualified installers only)

## Gas Line Requirements

### MASSACHUSETTS INSTALLATIONS - **WARNING:**

THIS PRODUCT MUST BE INSTALLED BY A LICENSED PLUMBER OR GAS FITTER WHEN INSTALLED WITHIN THE COMMONWEALTH OF MASSACHUSETTS.

### OTHER MASSACHUSETTS CODE REQUIREMENTS:

- Flexible connector must not be longer than 36 inches.
- Shutoff valve must be a "T" handle gas cock.
- Only direct vent sealed combustion products are approved for bedrooms or bathrooms.
- Fireplace dampers must be removed or welded in the open position prior to the installation of a fireplace insert or gas log.
- A carbon monoxide (CO) detector is required in the same room as the appliance.
- The gas line must be installed in accordance with all local codes, if any; if not, follow ANSI 223.1 and the requirements listed below.
- The fireplace and gas control valve must be disconnected from the gas supply piping during any pressure testing of that system at test pressures in excess of 1/2 psig. For pressures under 1/2 psig, isolate the gas supply piping by closing the manual shutoff valve.
- Leak test all gas line joints and the gas control valve prior to and after starting the fireplace.

## Fuel

- This fireplace is designed either for natural gas or for propane (but not for both). Check the sticker on the top of the gas control valve to make sure the correct fuel is used.

## Gas Line Connection

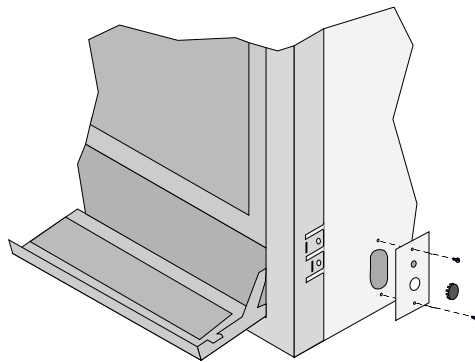
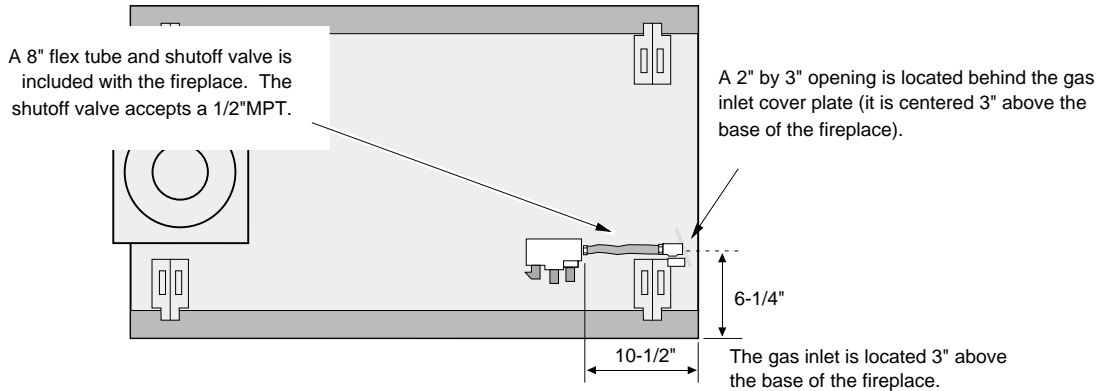
- Installation must be performed by a qualified installer, service agency or the gas supplier (In Massachusetts a licensed plumber/gasfitter).

Gas Inlet Pressure	Standard Input Pressure	Minimum Input Pressure	Maximum Input Pressure
Natural Gas	7" W.C. (1.74 kPA)	3.5" W.C. (0.87 kPA)	13.85" W.C. (3.45 kPA)
Propane	13" W.C. (2.73 kPA)	8" W.C. (1.99 kPA)	14" W.C. (3.48 kPA)

- If the pressure is not sufficient, make sure the piping used is large enough, the supply regulator is adequately adjusted, and the total gas load for the residence does not exceed the amount supplied.
- The supply regulator (the regulator that attaches directly to the residence inlet or to the propane tank) should supply gas at the suggested input pressure listed above. Contact the local gas supplier if the regulator is at an improper pressure.

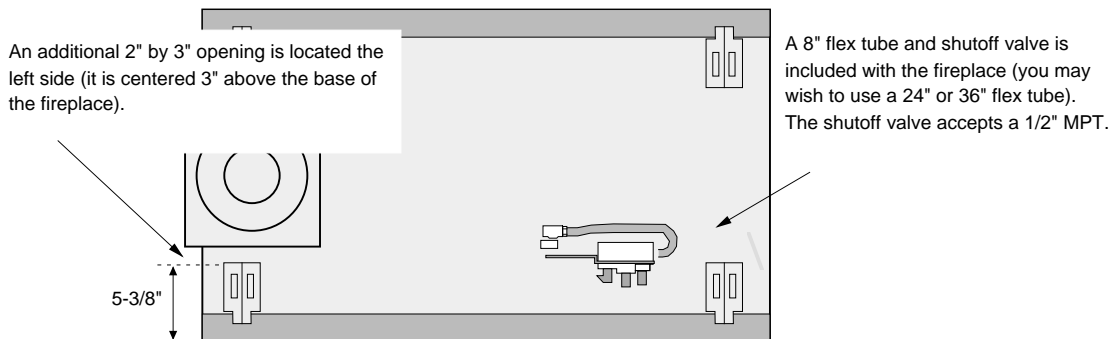
## Gas Line Location

### Right Side Gas Inlet (preferred)

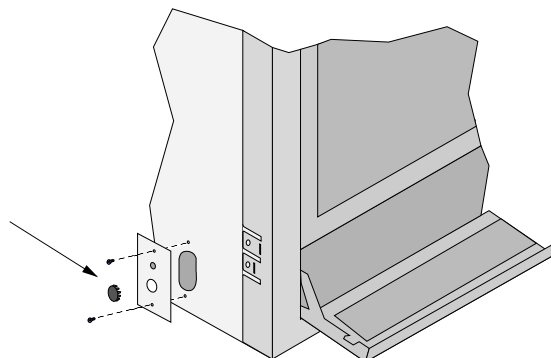


You may remove this cover plate to install the gas line. The cover plate has a 7/8" diameter hole (covered with a push plug) in line with the gas inlet on the gas control valve. By rotating the plate 180° the hole may be re-located. You may also secure the plate in a customized location using the self-drilling screws.

### Left Side Gas Inlet



You may remove this cover plate to install the gas line. The cover plate has a 7/8" diameter hole (covered with a push plug) in line with the gas inlet on the gas control valve. By rotating the plate 180° the hole may be re-located. You may also secure the plate in a customized location using the self-drilling screws.

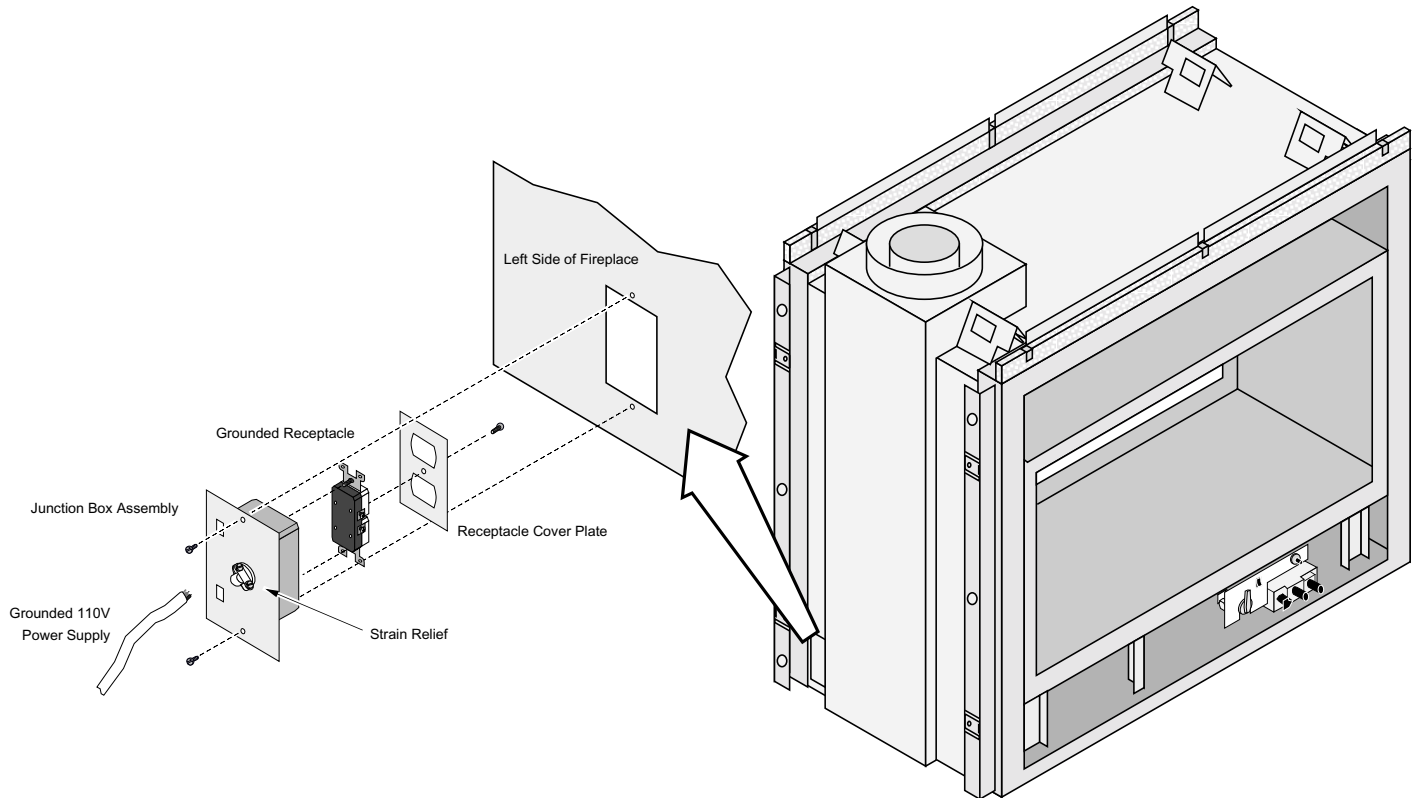


## 16 Finalizing the Installation (for qualified installers only)

### ***Electrical Connection (required)***

- The electrical line to the grounded receptacle inside the fireplace must be installed by a qualified installer and must meet all local codes.
- Make sure the household breaker is shut off prior to working on any electrical lines.
- The fireplace must be properly grounded in accordance with local codes (or ANSI/NFPA 70-1987)
- The electrical line must be a min. 14 gauge, and supply 120 Volts at 60 Hz (2 Amps)

**Caution:** Label all wires prior to disconnection when servicing controls. Wiring errors can cause improper and dangerous operation.





## Wall Switch or Thermostat Installation

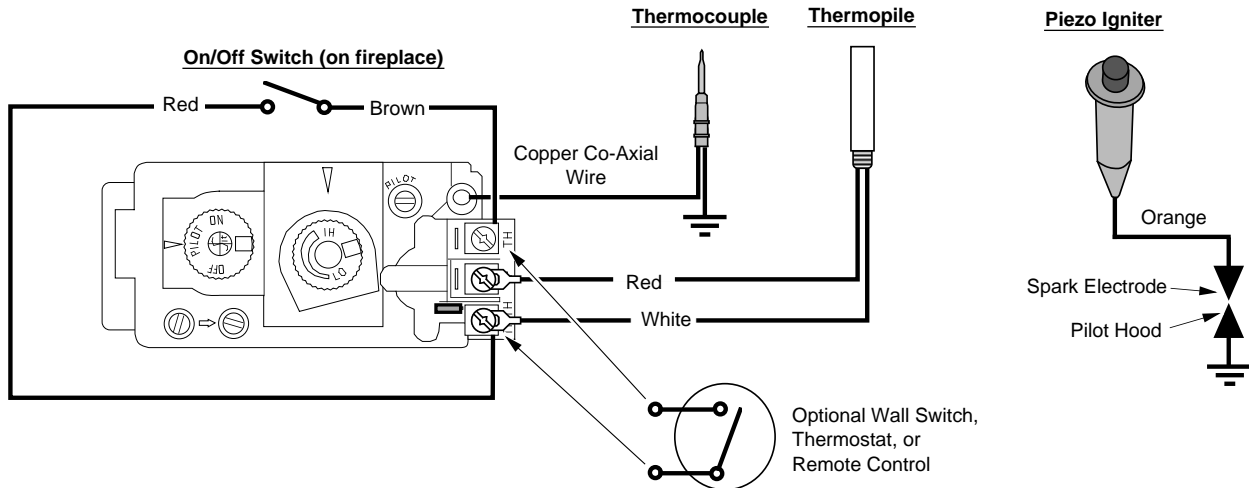
### Wiring Diagram (Millivolt System)



Do not connect 110-120 VAC to the gas control valve or wiring system of this fireplace. The switch must be installed by a qualified installer.

The included wall switch may be installed following the directions below. An optional thermostat may also be installed. It is attached to the gas control valve in the same manner.

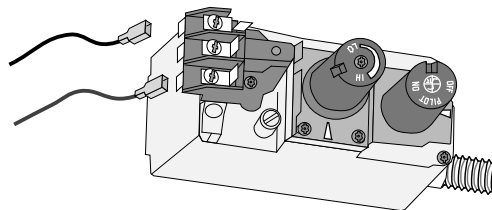
**Caution:** Label all wires prior to disconnection when servicing controls. Wiring errors can cause improper and dangerous operation.



### Wall Switch Installation

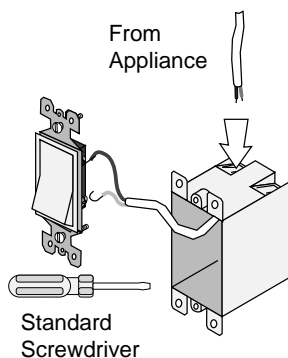
1. Attach the included wire to the gas control valve.

Attach the two wires to the top and bottom posts on the gas control valve (orientation does not matter).

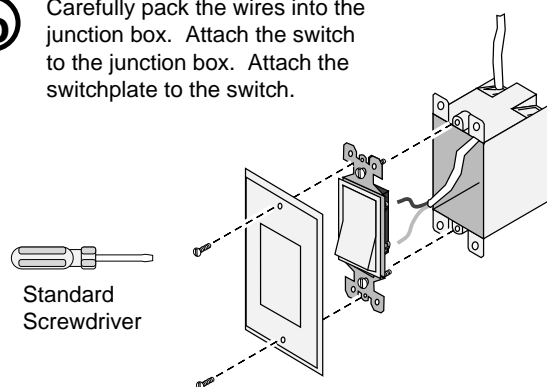


2. Determine a location for the wall switch (the wire is a maximum 25' long). Route the wire through the grommet near the gas inlet hole (either side) to the junction box and attach following the directions below. Set the on/off switch on the appliance to "OFF" to control the appliance with the wall switch.

- (a)** Insert the wire through the back of the mounted junction box (your junction box may look different). Expose 1/2" of each wire. Secure the wires to the posts on the side of the on/off switch (orientation does not matter).



- (b)** Carefully pack the wires into the junction box. Attach the switch to the junction box. Attach the switchplate to the switch.



# 18 Finalizing the Installation (for qualified installers only)

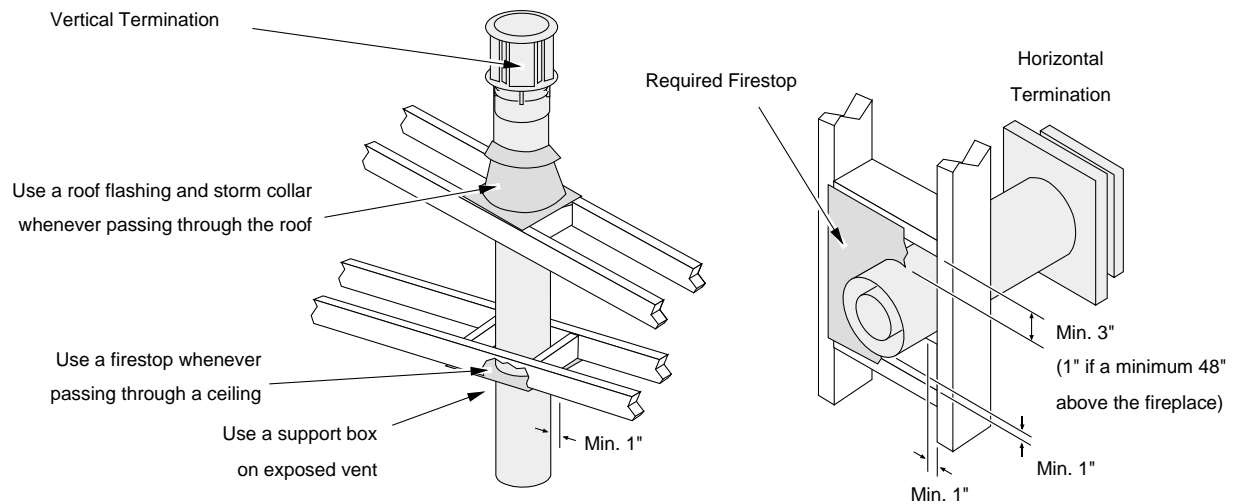
## Vent Requirements

- The gas appliance and vent system must be vented directly to the outside of the building, and never be attached to a chimney serving a separate solid fuel or gas-burning appliance. Each direct vent gas appliance must use its own separate vent system.
- In addition to the requirements listed here, follow the requirements provided with the vent.
- A firestop is required whenever the vent penetrates a wall, floor, or ceiling (passes through framing members). Horizontal vent less than 48" above the fireplace must use the Travis Firestop (sku 93006094 - it incorporates a 3" clearance above, 1" clearance below and to the sides of the vent). Other penetrations only require a 1" clearance and may use a standard firestop (make sure the required 1" clearance is met).
- Always use the high-wind termination (if available from the vent manufacturer).

## Vent Clearances

- The vent must maintain the required clearance to combustibles to prevent a fire. Do not fill air spaces with insulation.

	Before 48" Rise	After 48" Rise
Sides	1"	1"
Above	3"	1"
Below Horizontal or 45° Section	1"	1"

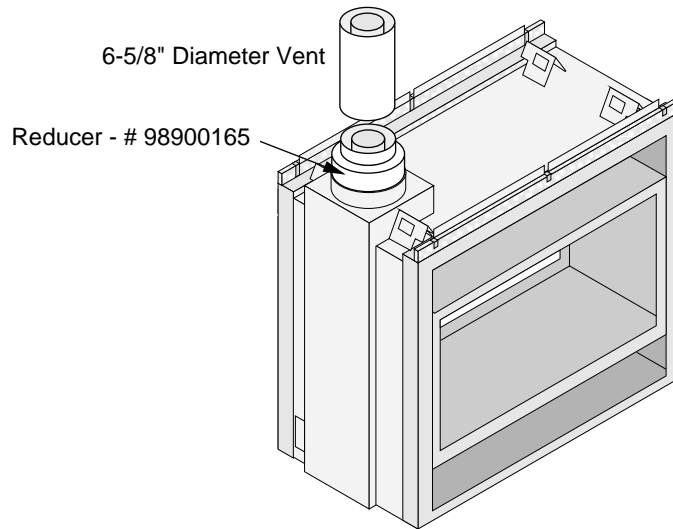


## Altitude Considerations

- This heater has been tested at altitudes ranging from sea level to 6,000 feet. In this testing we have found that the heater, with its standard orifice, burns correctly with just an air shutter adjustment.
- Failure to adjust the air shutter properly may lead to improper combustion which can create a safety hazard. Consult your dealer or installer if you suspect an improperly adjusted air shutter.

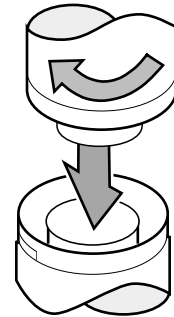
## Approved Vent

- Side vent configurations use 8" diameter Simpson Dura-Vent Model Pro or GS vent.
- Top vent configurations use 8" or 6-5/8" diameter Simpson Dura-Vent Model Pro or GS vent. If using 6-5/8" diameter vent, attach the 8" to 6-5/8" reducer (Travis part # 98900165) to the fireplace.



## Vent Installation

- Slide the vent sections together and turn 1/4 turn until the sections lock in place.
- Screws are not required to secure the vent. However, three screws may be used to secure vent sections together if desired.
- High temperature sealant is recommended at the appliance starter section connection (use high-temperature silicone or Mill-Pac®).
- If disassembly is required, at time of re-assembly check to see if the vent creates a tight fit. If it does not, apply high temperature sealant to the joints of the affected sections.
- Horizontal sections require a 1/4" rise every 12" of travel.
- Horizontal sections require non-combustible support every three feet (e.g.: plumbing tape).



## 20 Finalizing the Installation (for qualified installers only)

### Approved Vent Configurations

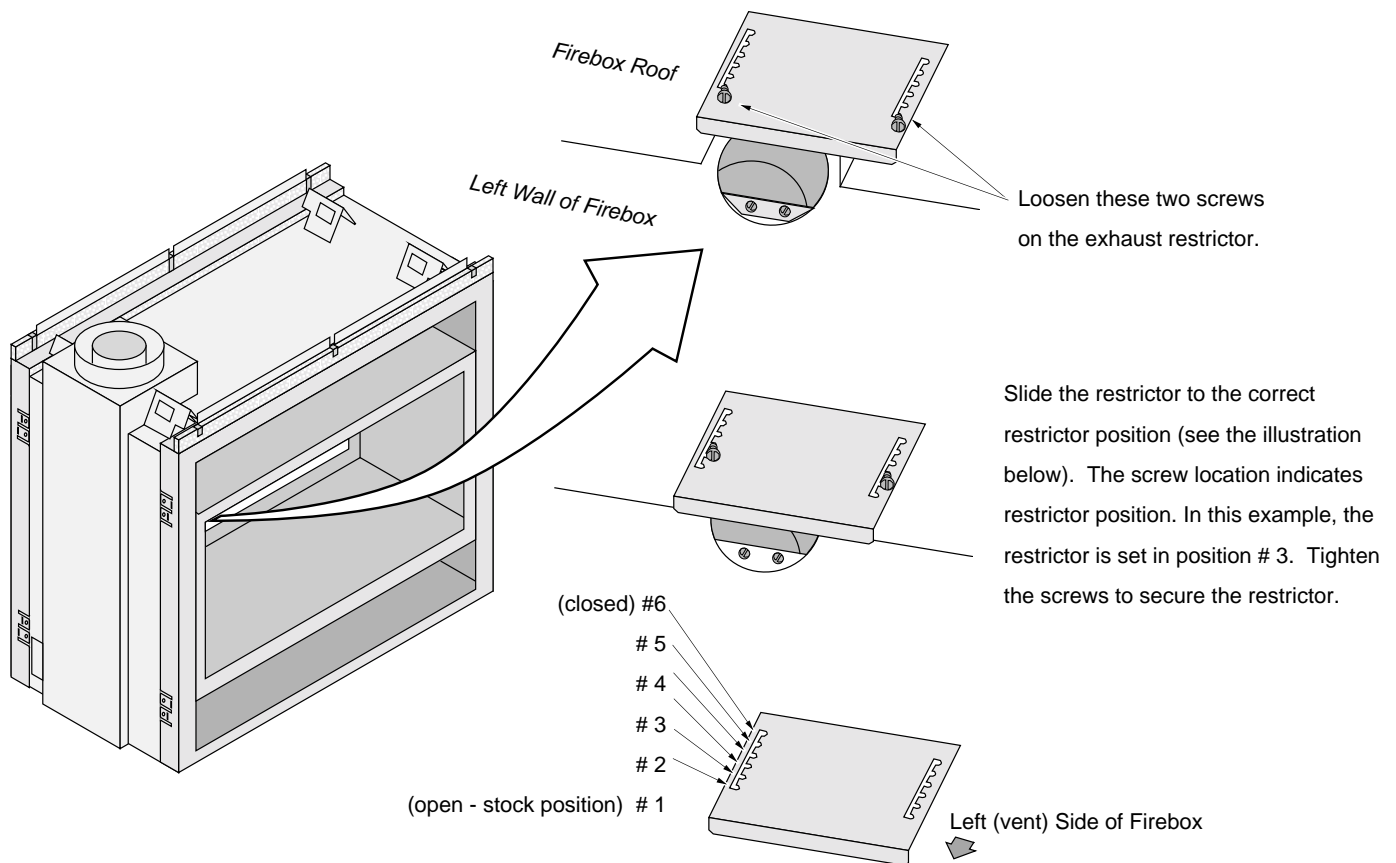
#### Restrictor Position

- Intake and exhaust restrictors are built into the appliance to adjust the flow rate of intake air and exhaust gases. Depending upon the vent configuration, you may be required to adjust the restrictor positions. The charts for acceptable vent configurations detail the correct vent restrictor positions.

#### Exhaust Restrictor Adjustment

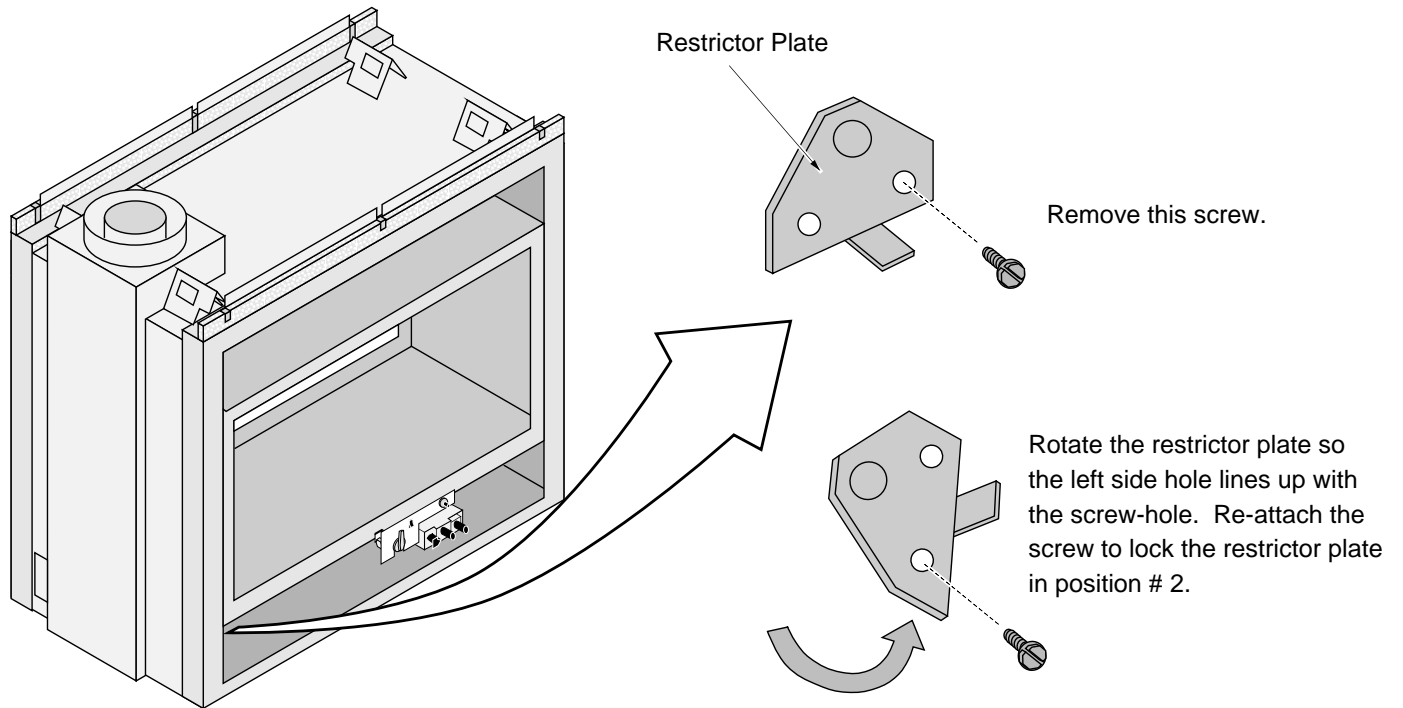


If the diffuser is required to be in position # 2, you may wish to adjust the diffuser while the exhaust restrictor is removed (see page 22).



## Intake Restrictor Adjustment

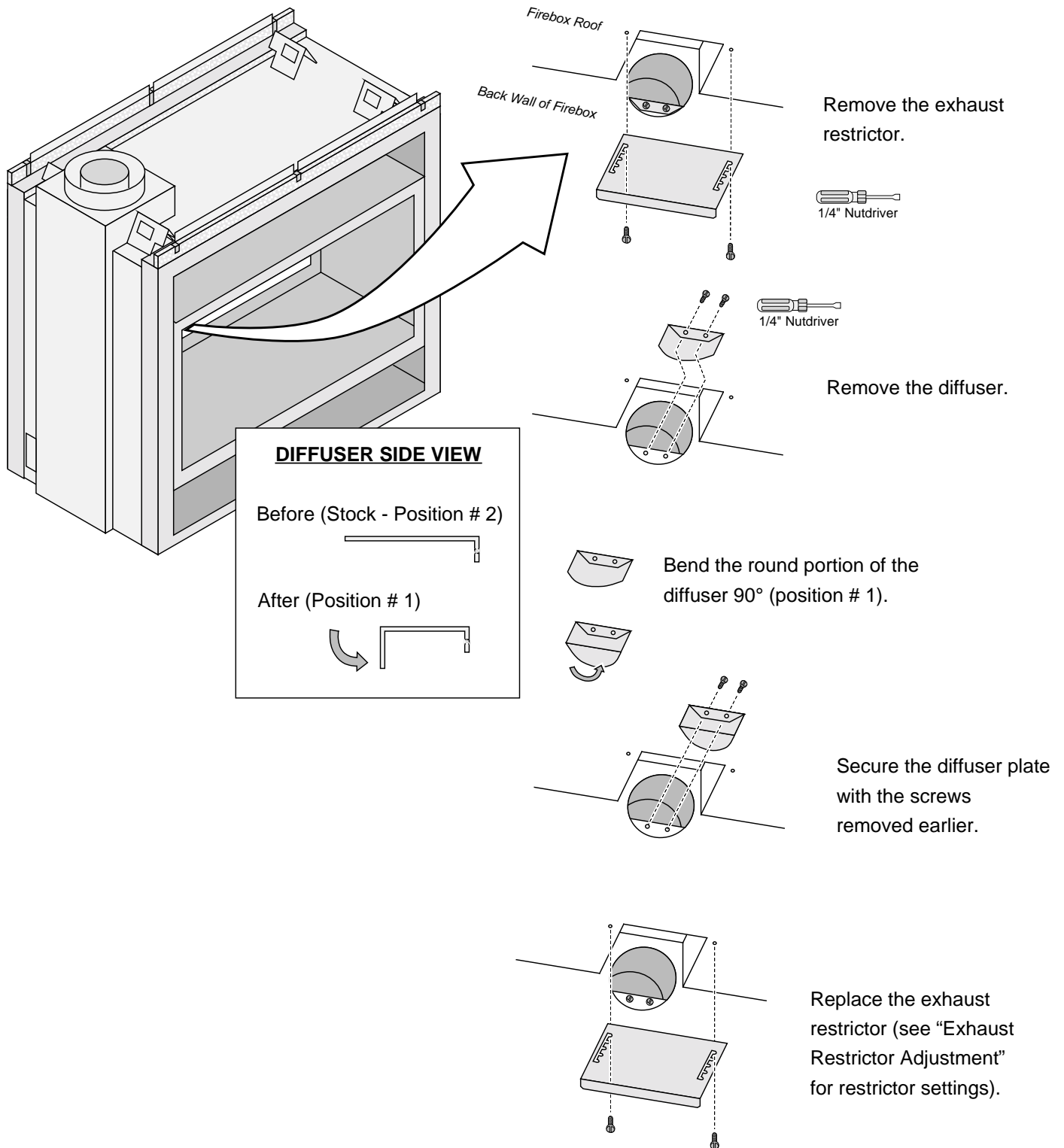
The intake restrictor is shipped in position # 1 (open). To adjust the restrictor to position # 2 (closed), follow the instructions below.



## 22 Finalizing the Installation (for qualified installers only)

### Diffuser Plate Adjustment

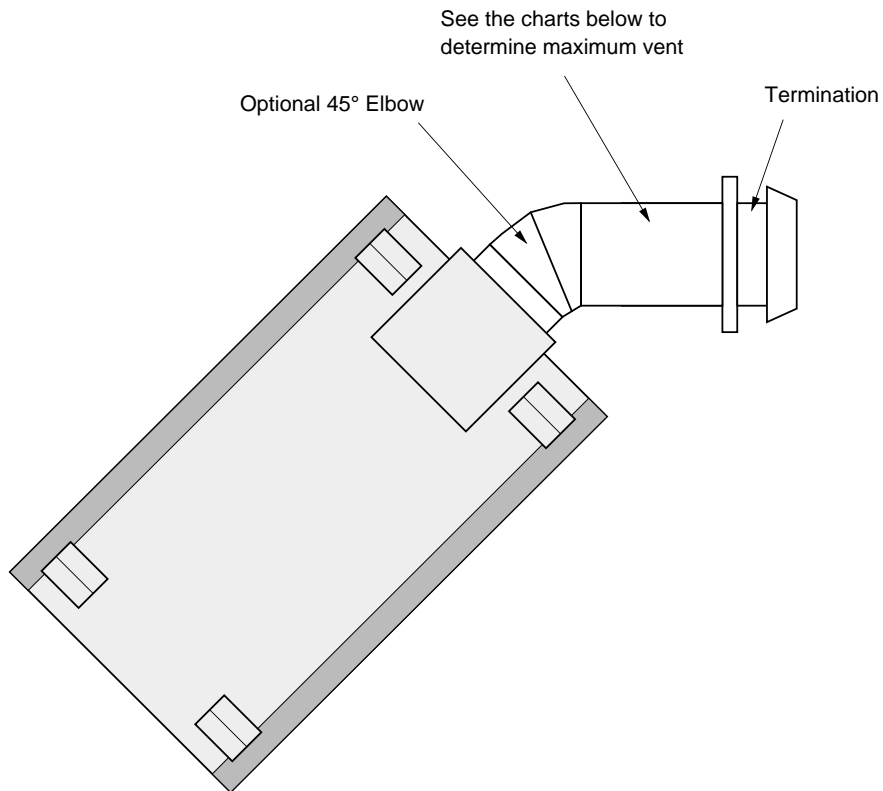
Certain vent configurations require the diffuser plate to be adjusted (refer to the approved vent configuration charts for details). Position # 2 is stock (flat). Position # 1 is bent. See the directions below to change the diffuser to position #1.



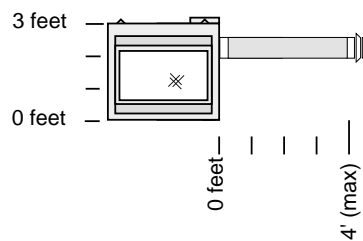
## Side Vent Configuration with Horizontal Termination (no vertical rise)

- The termination must fall within the shaded area shown in the chart. Use the indicated restrictor and diffuser positions.

**HINT:** Travis Industries provides a minimum vent kit (sku 98900168). It includes a 4" section and a horizontal termination cap.



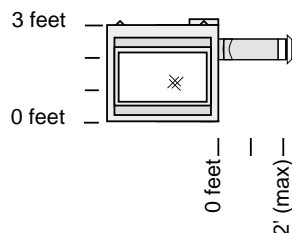
### Vent with No 45° Elbow



- Exhaust Restrictor # 1 (stock)
- Intake Restrictor # 1 (stock)
- Diffuser Position # 1

- Min. 4" Horizontal Section
- Max. 48" Horizontal Section(s)

### Vent with 1 45° Elbow



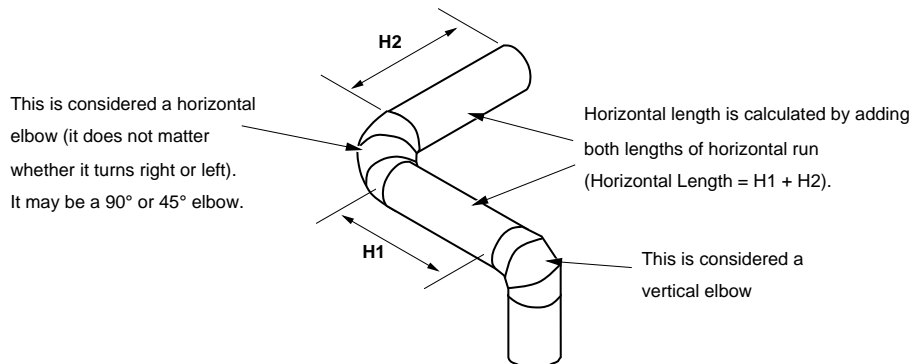
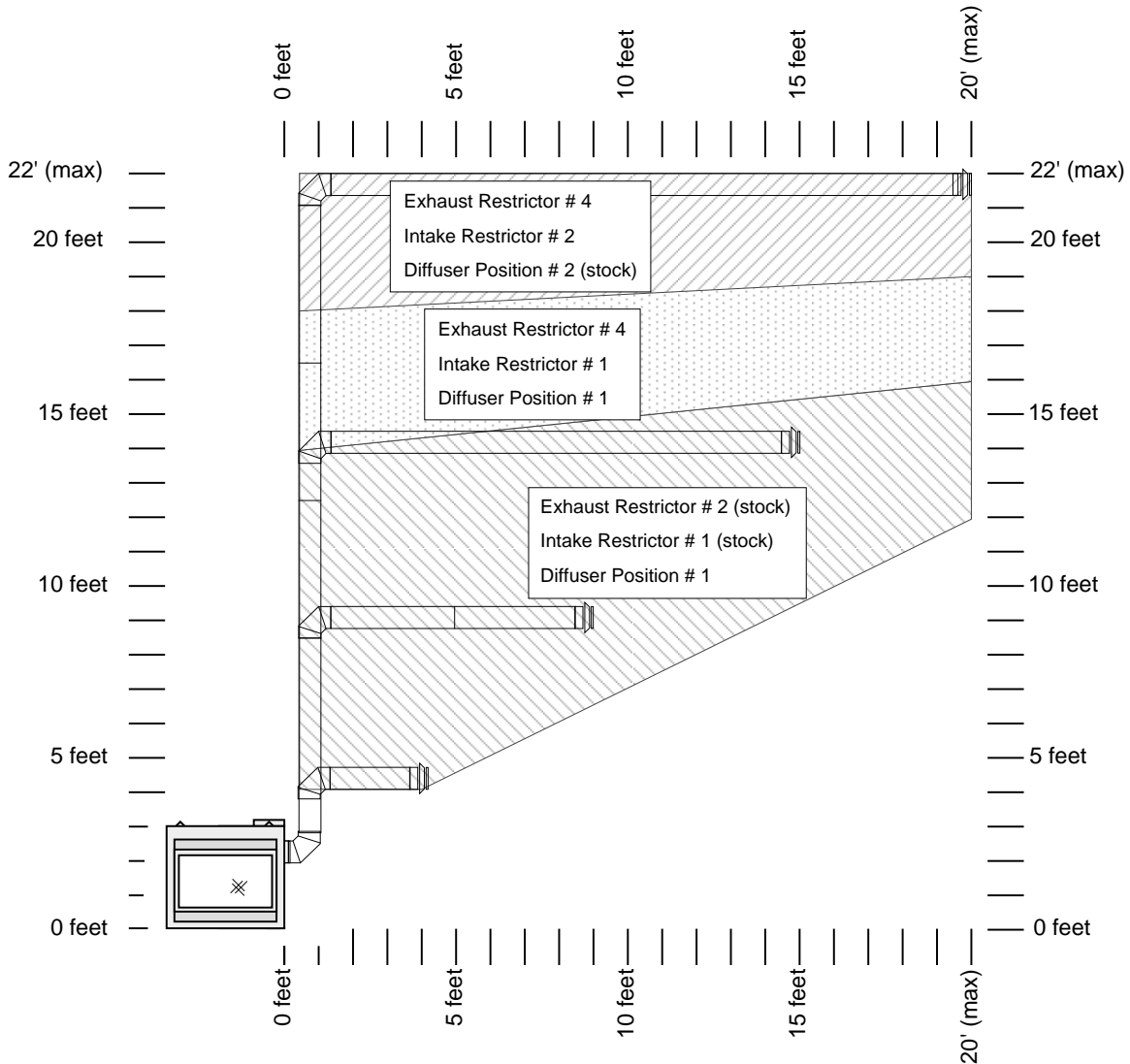
- Exhaust Restrictor # 1 (stock)
- Intake Restrictor # 1 (stock)
- Diffuser Position # 1

- Min. 4" Horizontal Section
- Max. 24" Horizontal Section(s)

# 24 Finalizing the Installation (for qualified installers only)

## Side Vent Configuration with Horizontal Termination (with vertical rise)

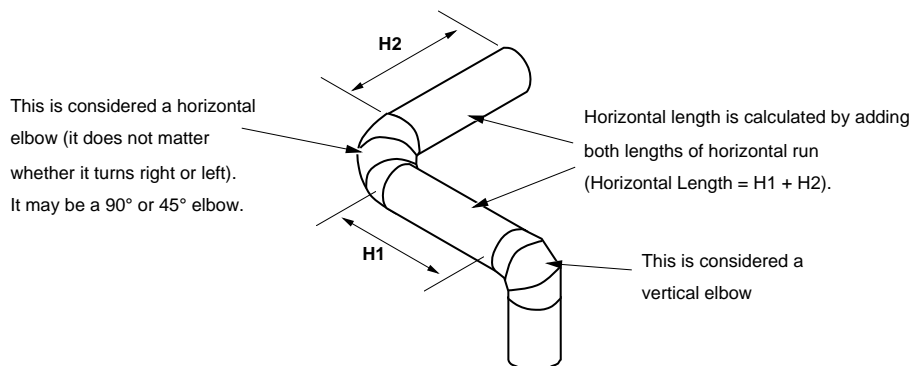
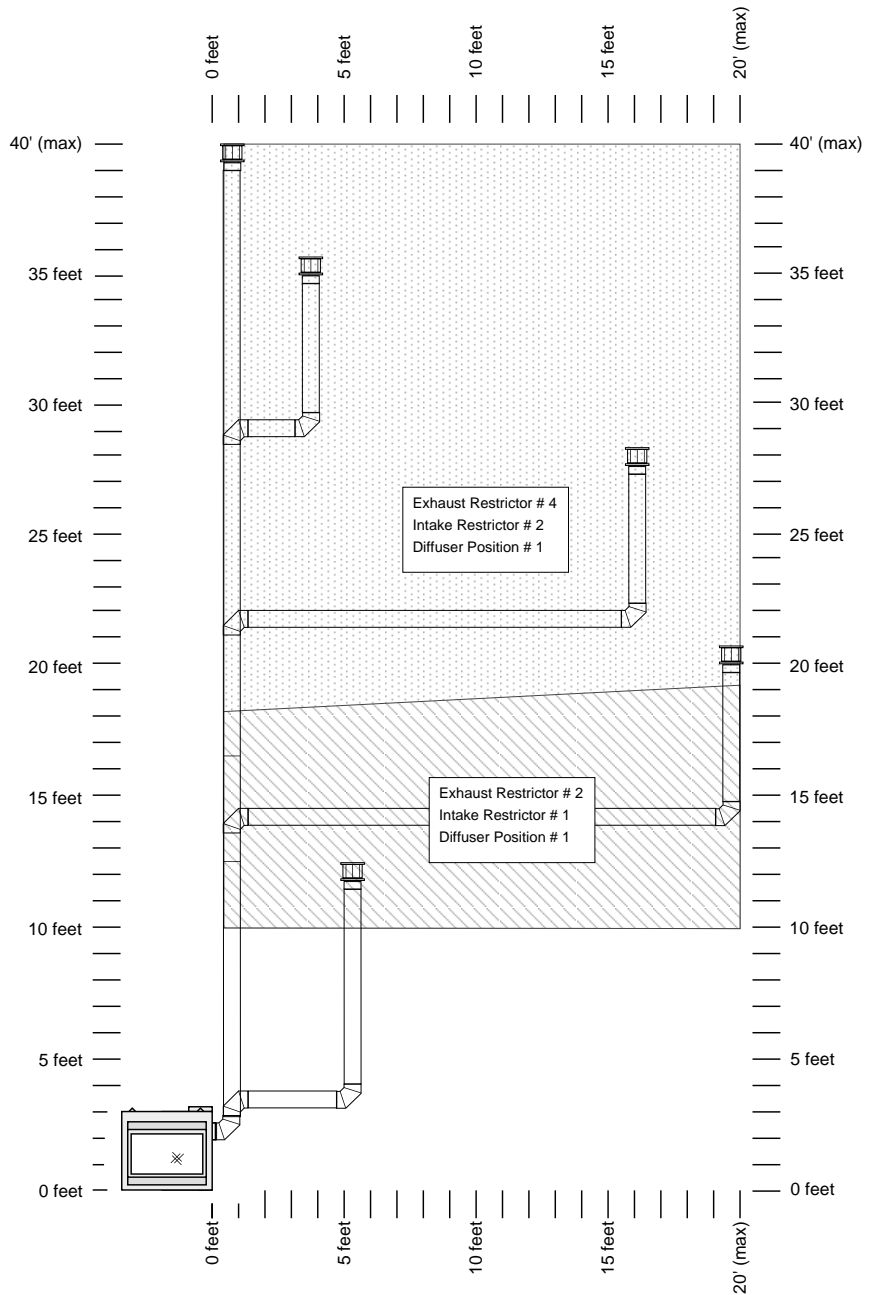
- The termination must fall within the shaded area shown in the chart. Use the indicated restrictor and diffuser positions.
- Up to four elbows (45° or 90°) may be used.
- Only one horizontal elbow may be used.





## Side Vent Configuration with Vertical Termination

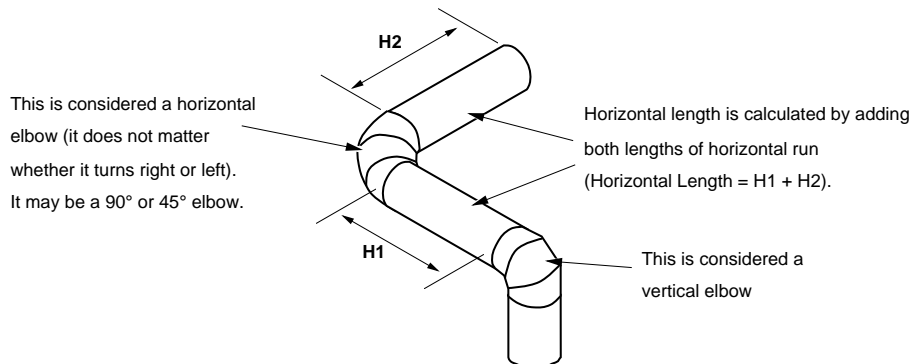
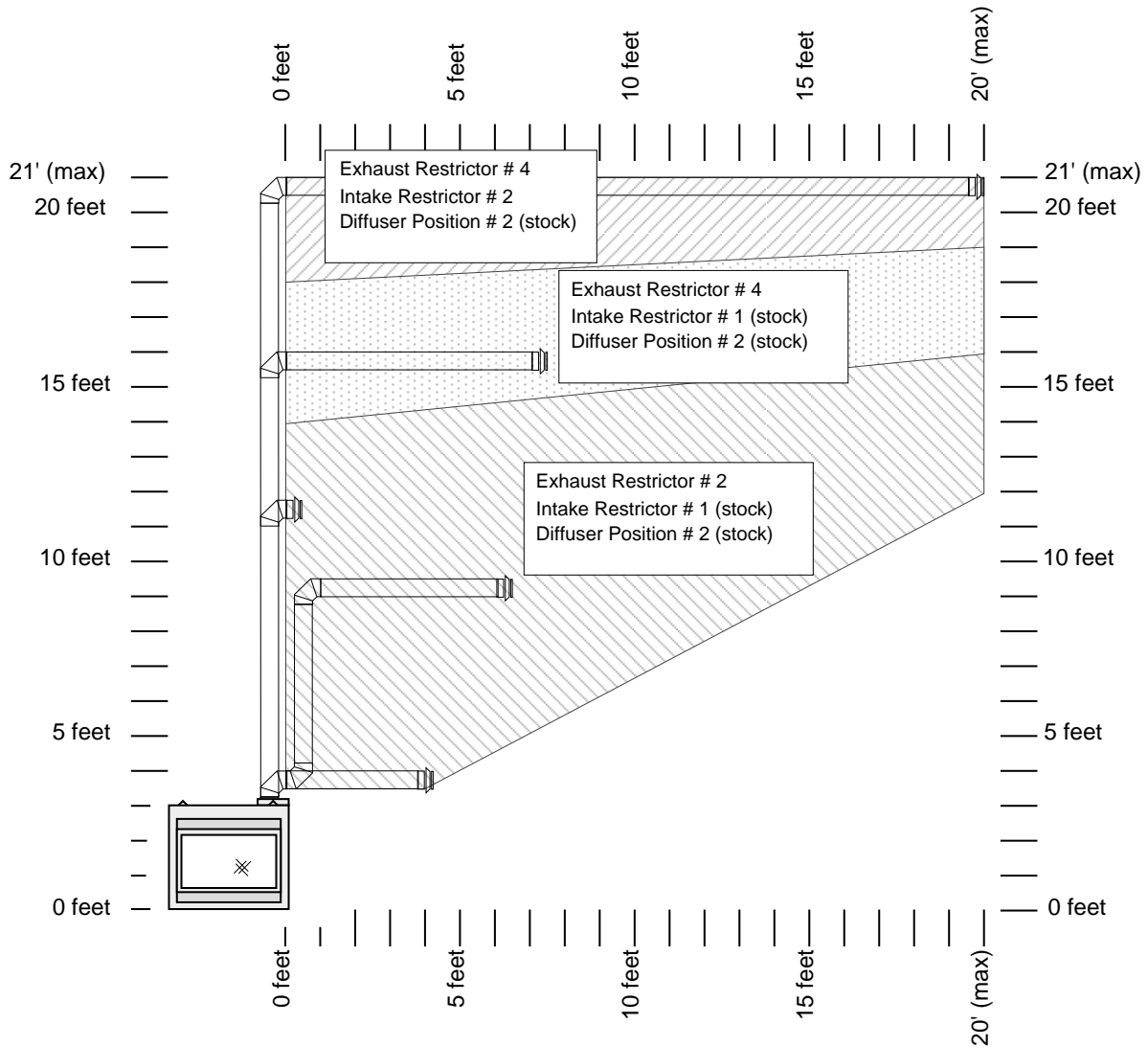
- The termination must fall within the shaded area shown in the chart. Use the indicated restrictor and diffuser positions.
- Up to four elbows (45° or 90°) may be used.
- Only one horizontal elbow may be used.



# 26 Finalizing the Installation (for qualified installers only)

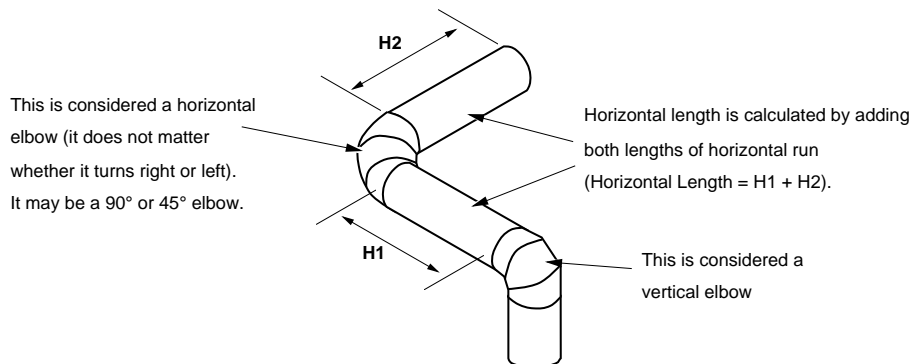
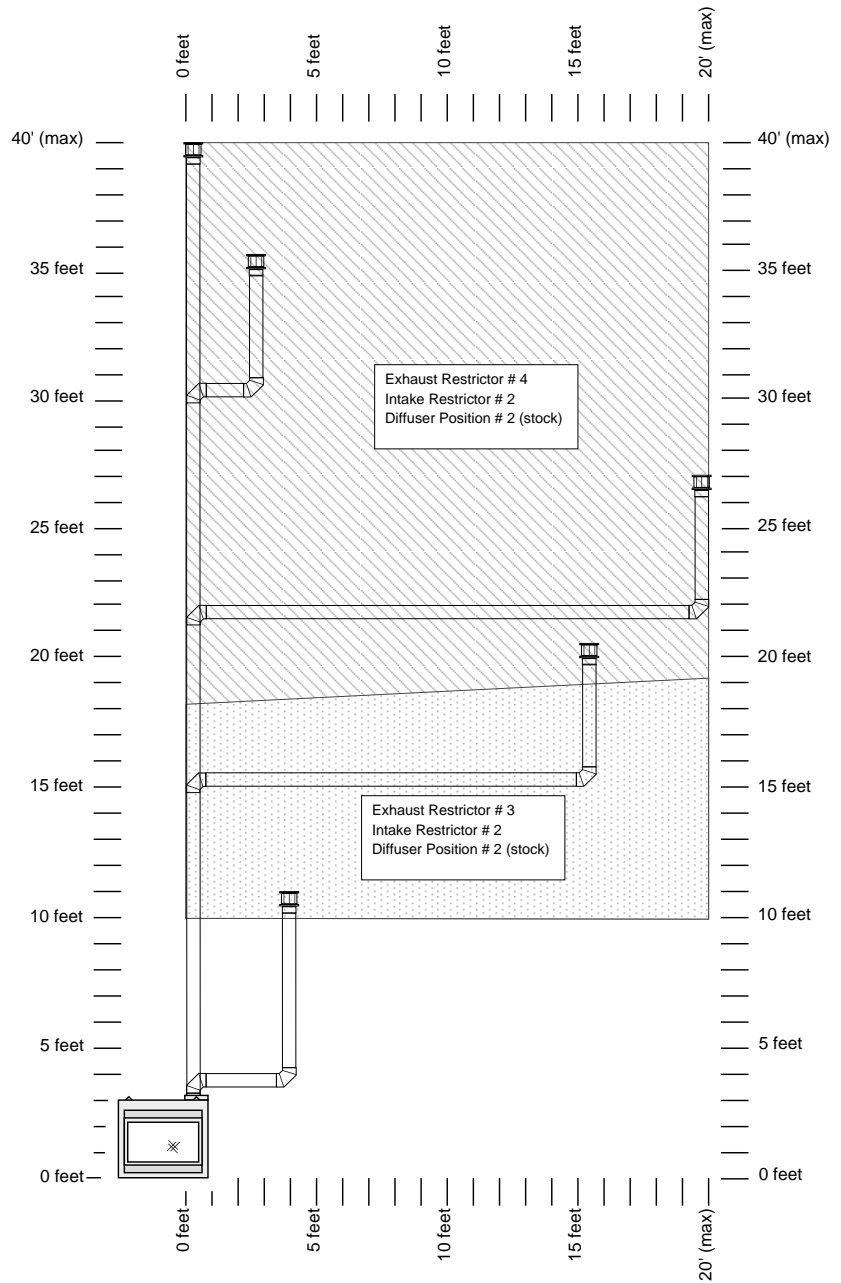
## Top Vent Configuration with Horizontal Termination

- The termination must fall within the shaded area shown in the chart. Use the indicated restrictor and diffuser positions.
- Up to four elbows (45° or 90°) may be used.
- May use 8" or 6-5/8" diameter vent (see page for 18 details).
- Only one horizontal elbow may be used.



## Top Vent Configuration with Vertical Termination

- The termination must fall within the shaded area shown in the chart. Use the indicated restrictor and diffuser positions.
- Up to four elbows (45° or 90°) may be used.
- Only one horizontal elbow may be used.
- May use 8" or 6-5/8" diameter vent (see page for 18 details).

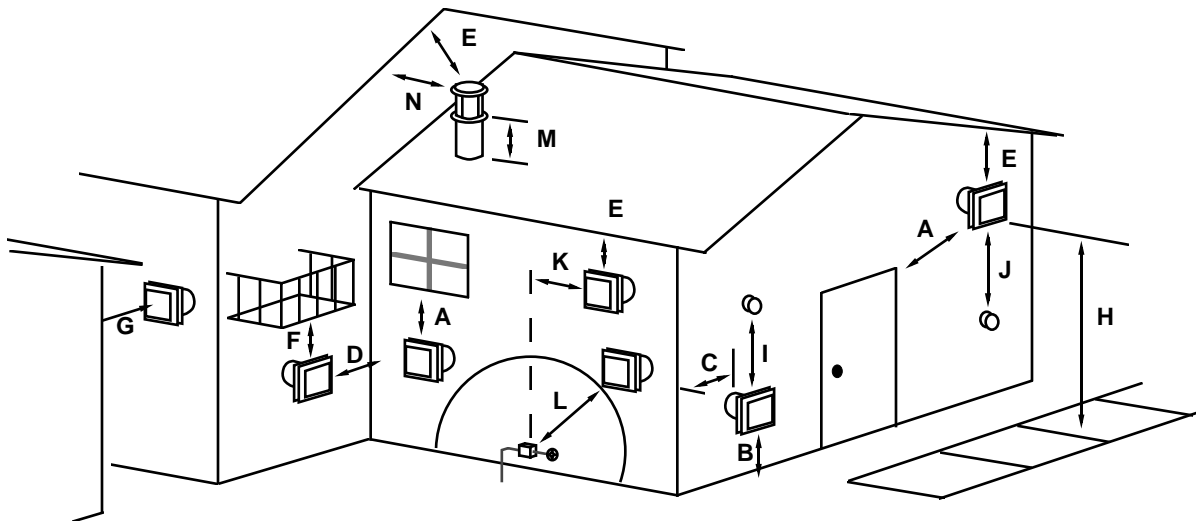
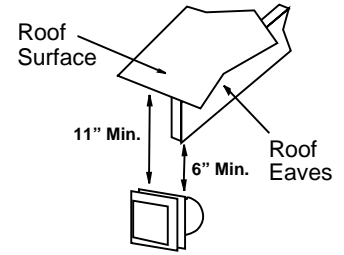


## 28 Finalizing the Installation (for qualified installers only)

### Termination Requirements

**! Venting terminals shall not be recessed into a wall or siding.**

- A Minimum 9" clearance from any door or window
- B Minimum 12" above any grade, veranda, porch, deck or balcony
- C Minimum 3-3/8" from outside corner walls  
**NOTE:** Clearance in accordance with local installation codes and the requirements of the gas supplier.
- D Minimum 12" from inside corner walls  
**NOTE:** Clearance in accordance with local installation codes and the requirements of the gas supplier.
- E Minimum 11" clearance below unventilated soffits or roof surfaces  
Minimum 18" clearance below ventilated soffits  
Minimum 6" clearance below roof eaves  
**NOTE:** Vinyl surfaces require 24"  
**NOTE:** Clearance in accordance with local installation codes and the requirements of the gas supplier.
- F Minimum 12" clearance below a veranda, porch, deck or balcony  
**NOTE:** Permitted only if veranda, porch, deck, or balcony is fully open on a minimum of two sides beneath the floor.  
**NOTE:** Clearance in accordance with local installation codes and the requirements of the gas supplier.
- G Minimum 48" clearance from any adjacent building
- H Minimum 84" clearance above any grade when adjacent to public walkways or driveways  
**NOTE:** may not be used over a walkway or driveway shared by an adjacent building
- I Minimum 9" clearance to any nonmechanical air supply inlet to the building or the combustion air inlet to any other appliance.
- J Minimum 36" clearance above any mechanical air supply inlet if within 10' horizontally
- K Minimum 36" from the area above the meter/regulator (vent outlet)  
**NOTE:** Clearance in accordance with local installation codes and the requirements of the gas supplier.
- L Minimum 36" from the meter/regulator (vent outlet)  
**NOTE:** Clearance in accordance with local installation codes and the requirements of the gas supplier.
- M Minimum 12" above the roof line (for vertical terminations)
- N Minimum 24" horizontal clearance to any surface (such as an exterior wall) – for vertical terminations

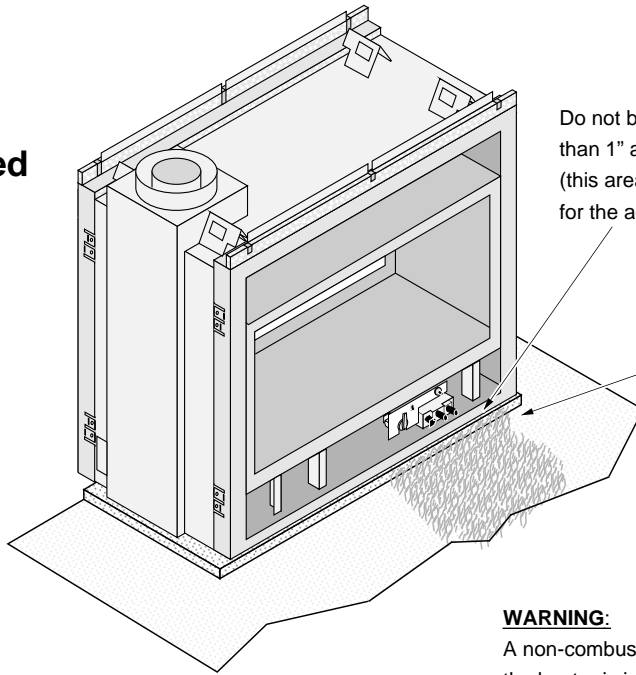


**NOTE: Measure clearances to the nearest edge of the exhaust hood.**

- Use the vinyl siding standoff when installing on an exterior with vinyl siding.
- Vent termination must not be located where it will become plugged by snow or other material

## Hearth Requirements

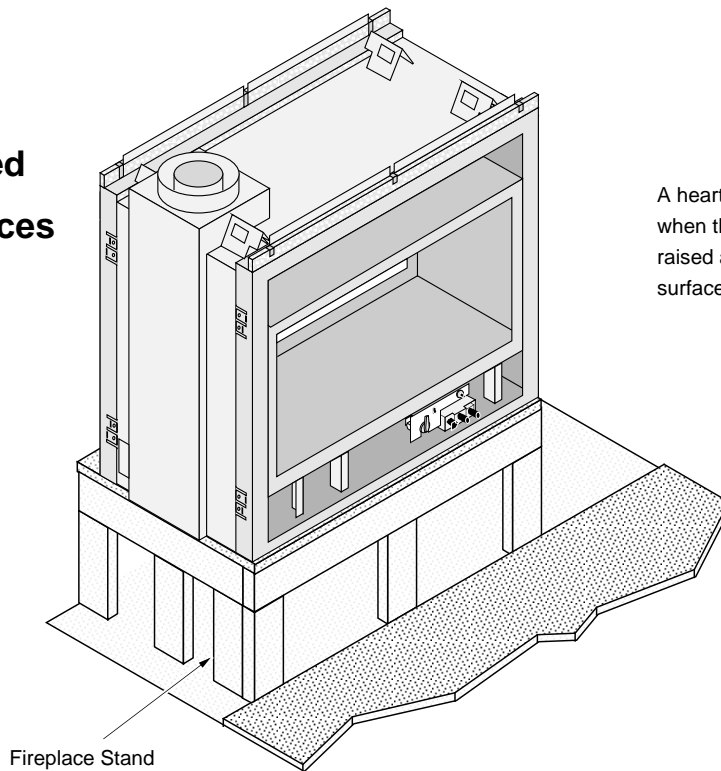
### Floor Mounted Fireplaces



**WARNING:**

A non-combustible hearth is not required. However, if the heater is installed next to the floor, we recommend a hearth to protect the flooring surface from discoloration or other negative impact from the heater.

### Raised Fireplaces



A hearth is not required when the fireplace is raised above the flooring surface.

## 30 Finalizing the Installation (for qualified installers only)

### Facing Requirements

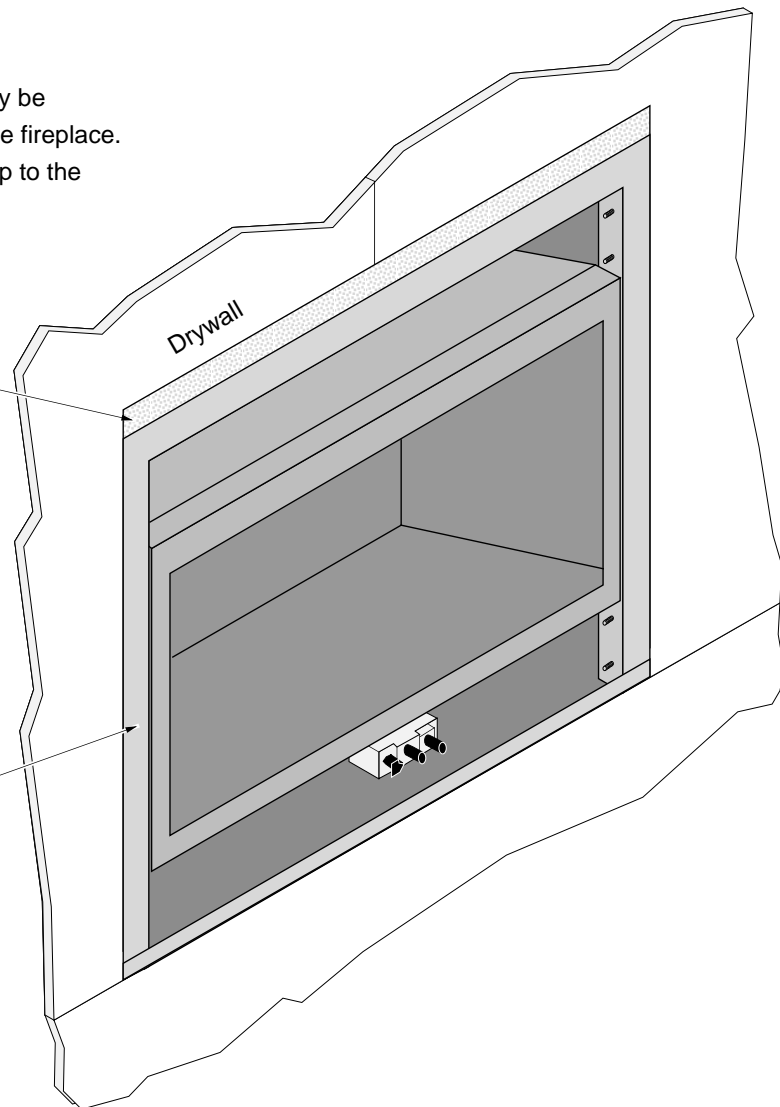
- This appliance is designed to allow for drywall (or other combustible facing) to contact the sides and top of the front and back of the fireplace.
- Non-combustible facing (tile, masonry, etc.) must be placed over the fiber board on the front and back of the fireplace (see "Facing Overview" on page 31 for further details).

### Drywall Installation

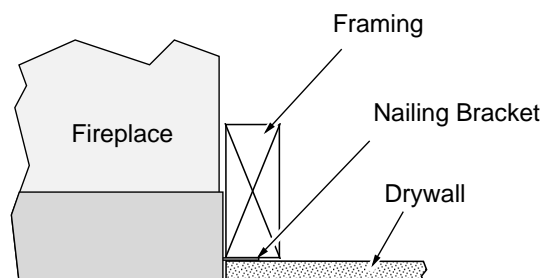
**Drywall Installation** Drywall may be installed up to the front edge of the fireplace. If the fireplace is raised, drywall up to the bottom edge as well.

The non-combustible fiber board must remain in place above the fireplace. Non-combustible facing (tile, masonry, etc.) must be placed over the fiber board.

Do not install drywall (or any other combustible) in front of the fireplace.



### TOP VIEW



## Facing Overview



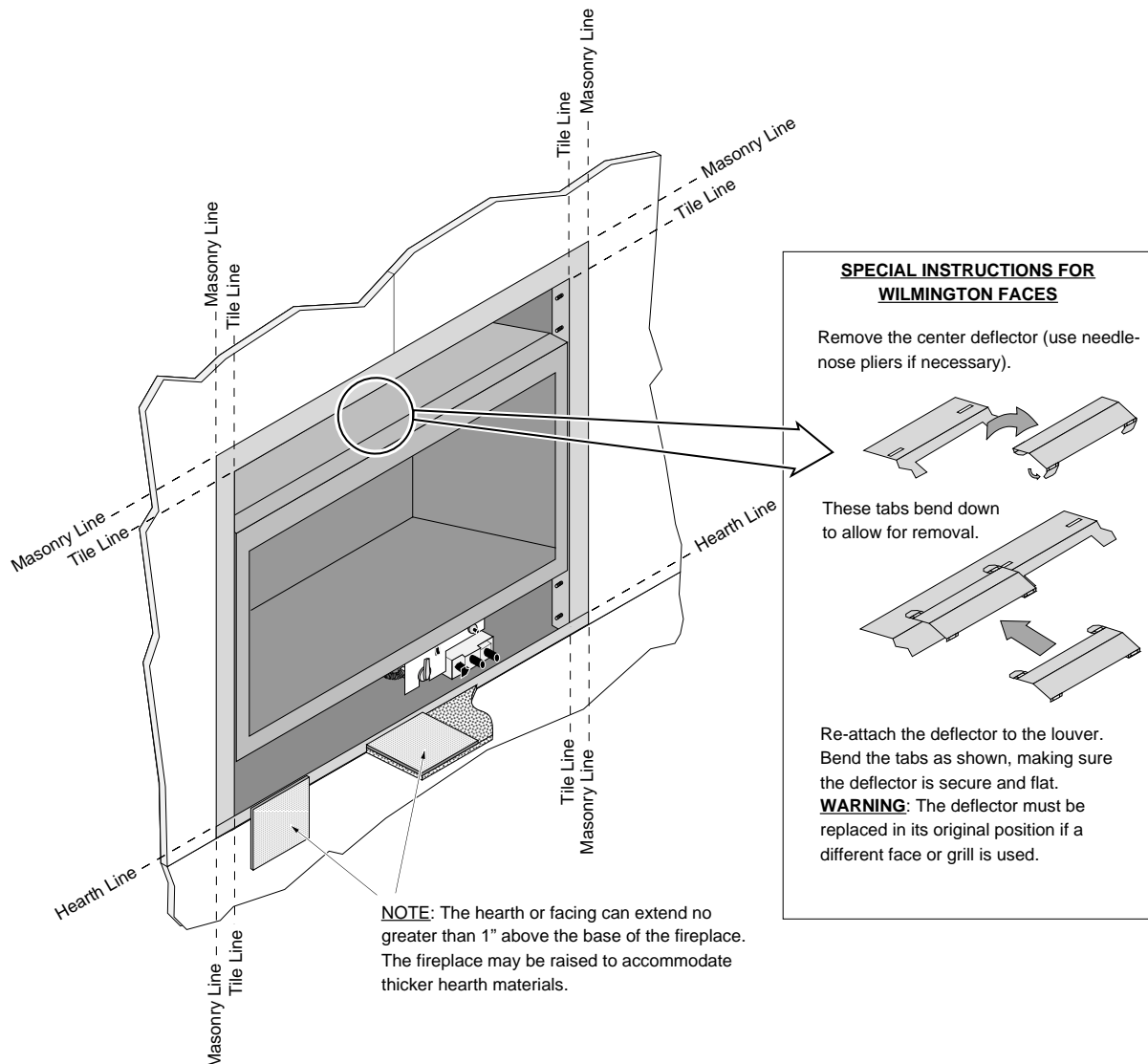
Upgrade faces are available for this fireplace and may influence facing installation. Consult with your Travis Dealer if you are using an upgrade face.

Optional non-combustible facing may be installed on the fireplace. Use the guidelines below to determine the location (also see the following pages for detailed diagrams).

**Tile Line** Any non-combustible facing under 1" thick (see "Thin Facing" on page 32).

**Masonry Line** Any non-combustible over 1" thick (see "Thick Facing" on page 34).

**Hearth Line** Non-combustible hearth/facing should be installed up to this location (1" above the base of the fireplace). The fireplace may be raised to accommodate thicker hearth materials.



## Optional Faceplates – Sizing Chart

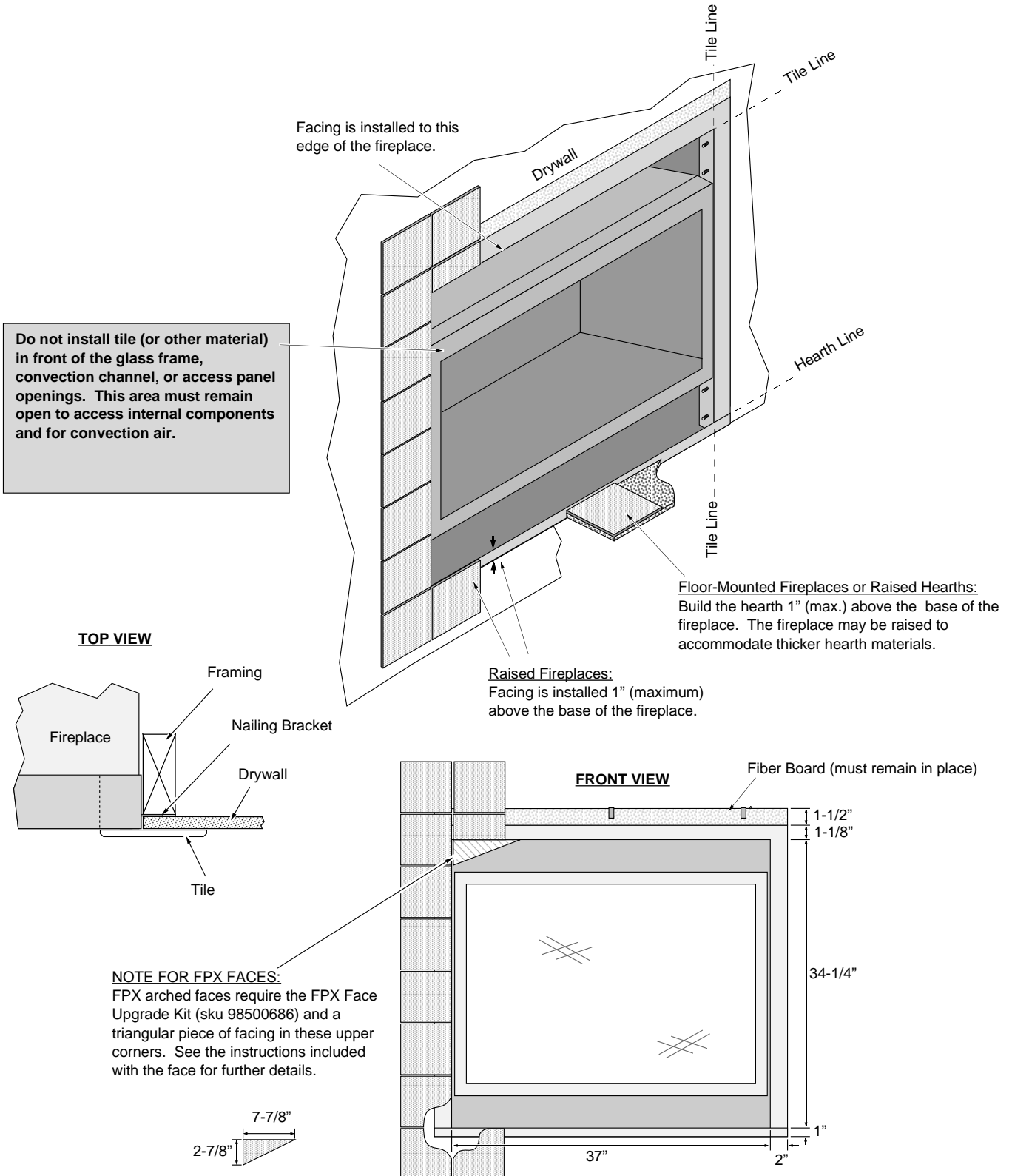
Name	Height	Width	Notes
FPX Artisan, Classic, Fr Ctry	35-3/4"	41"	45-3/4" Radius – May fit over top of tile facing
Winthrop Victorian Lace	34-1/8"	36-7/8"	Optional facing will butte to edge of faceplate (tile line)
Wilmington Hearthview	35-3/4"	41"	<ul style="list-style-type: none"> <li>Requires removal of center deflector (see above).</li> <li>Face may fit over top of tile facing</li> </ul>
Winthrop Bungalow	34"	36-7/8"	Optional facing will butte to edge of faceplate (tile line)

# 32 Finalizing the Installation (for qualified installers only)

## Thin Facing Installation (tile, marble, or other non-combustible under 1" thick)



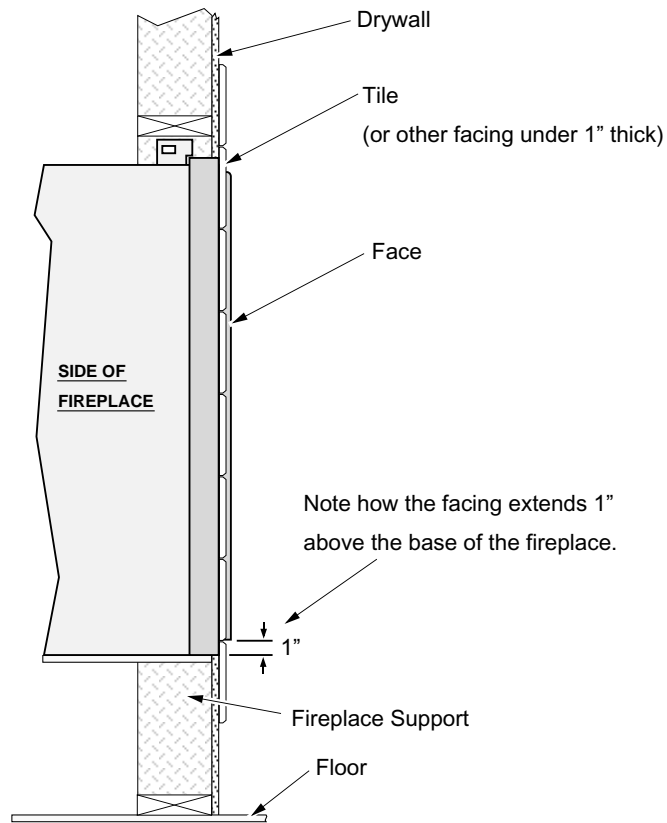
Upgrade faces are available for this fireplace and may influence facing installation. Consult with your Travis Dealer if you are using an upgrade face.



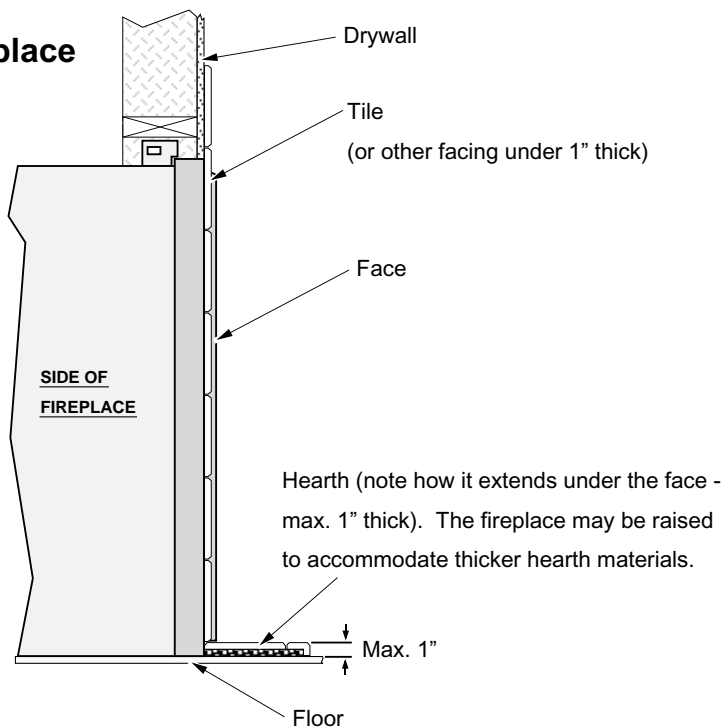


## Thin Facing Installation (tile, marble, under 1" thick) - Side View

### Raised Fireplace (with no Hearth)



### Floor-Mounted Fireplace (with Hearth)



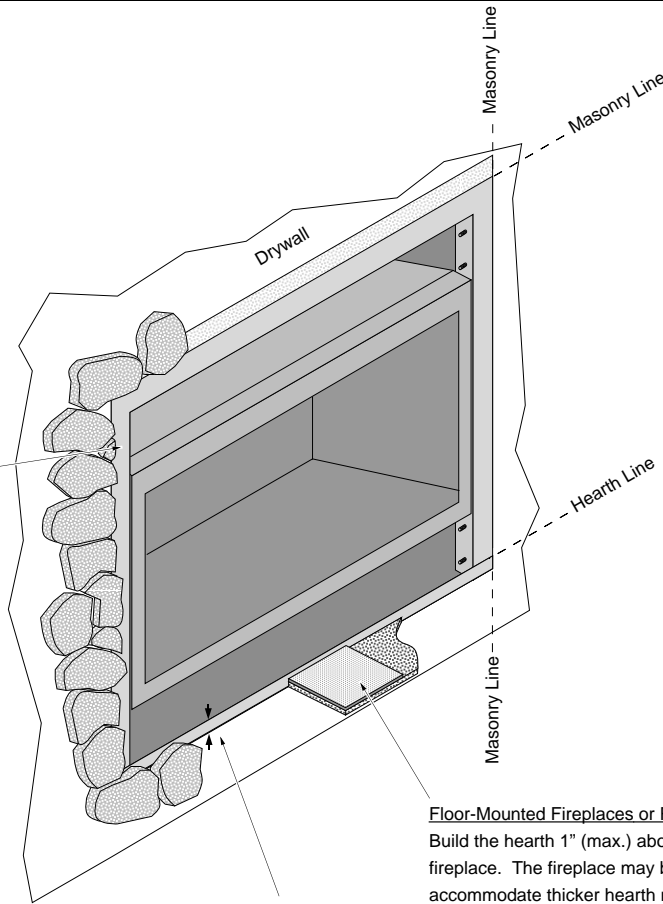
# 34 Finalizing the Installation (for qualified installers only)

## Thick Facing Installation (stone, brick, or other non-combustible over 1" thick)

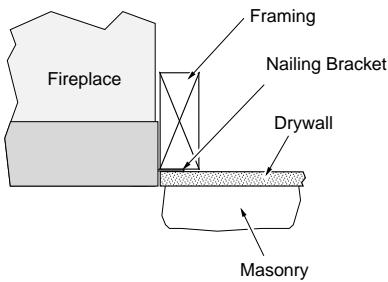


If using a Fireplace Xtordinaire (FPX) arched face, see "Thick Facing with a Fireplace Xtordinaire Arched Faces" on page 35.

Do not install masonry (or other material) in front of the fireplace. This area must remain open to install the face.



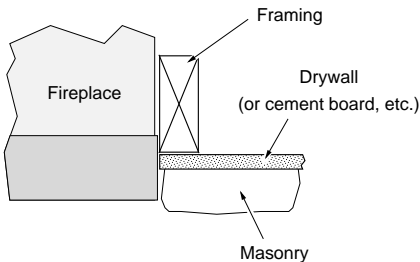
### TOP VIEW - Protruding Masonry



**Floor-Mounted Fireplaces or Raised Hearths:**  
Build the hearth 1" (max.) above the base of the fireplace. The fireplace may be raised to accommodate thicker hearth materials.

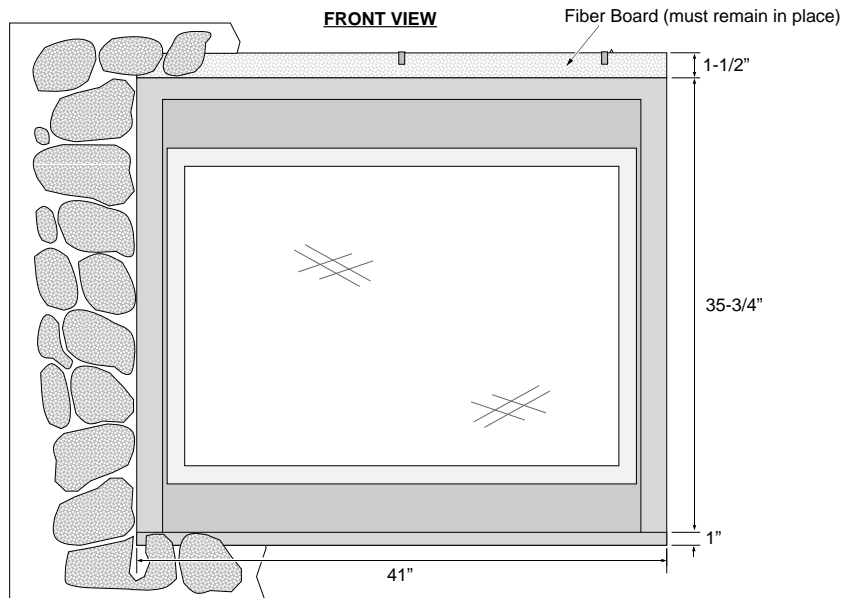
**Raised Fireplaces:**  
Masonry is installed 1" (maximum) above the base of the fireplace.

### TOP VIEW - Recessed Masonry



NOTE: The nailing brackets are not used for this type of installation - secure the fireplace to the floor with the brackets along the base of the fireplace.

### FRONT VIEW

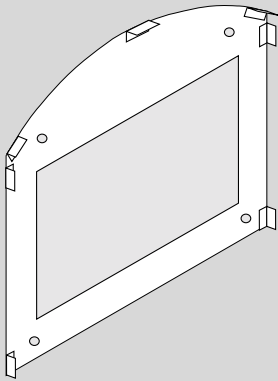


## Thick Facing with Fireplace Xtrordinaire (FPX) Arched Faces

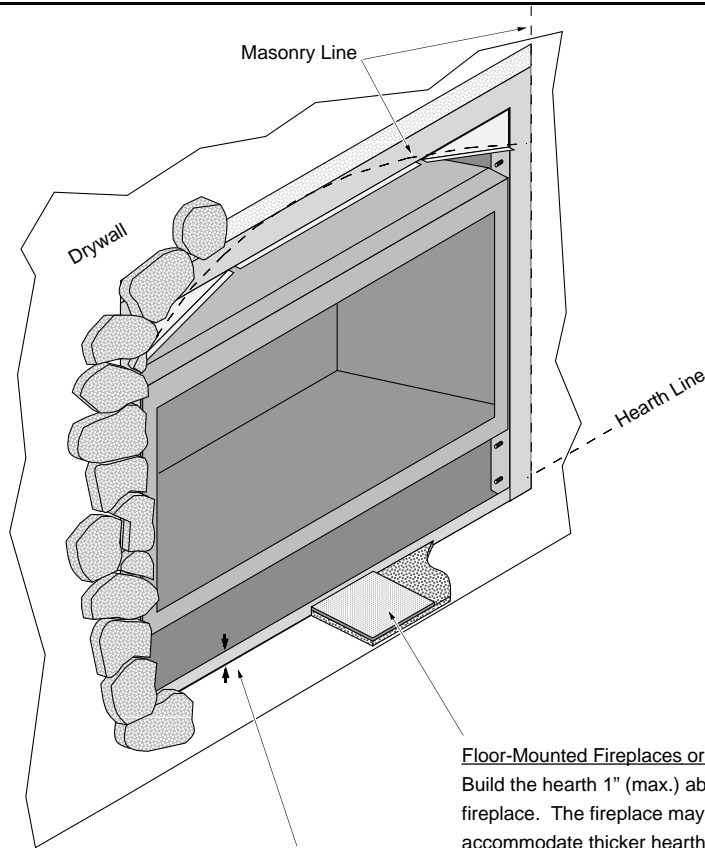
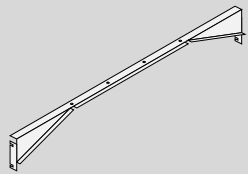


The following illustration shows facing considerations for those fireplaces utilizing FPX arched faces. The facing must be non-combustible and over 1" in depth.

The Fireplace Xtrordinaire 864 Masonry Template is recommended for masonry installation (sku 98500688). The template helps locate and support the masonry as it being installed.



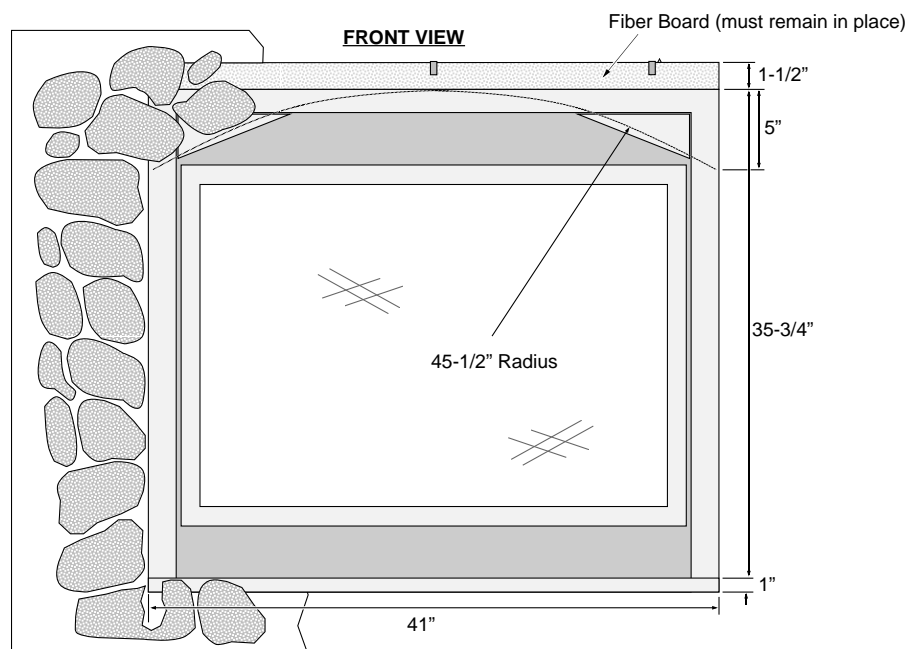
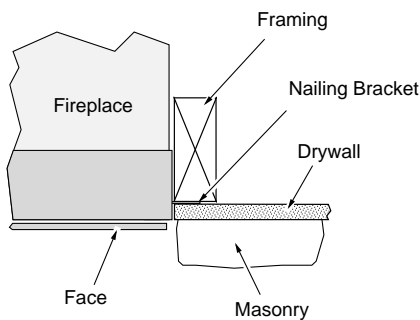
Before installing masonry, install the FPX Face Upgrade Kit (98500686). This covers the upper corners.



**Floor-Mounted Fireplaces or Raised Hearths:**  
Build the hearth 1" (max.) above the base of the fireplace. The fireplace may be raised to accommodate thicker hearth materials.

**Raised Fireplaces:**  
Masonry is installed 1" (maximum) above the base of the fireplace.

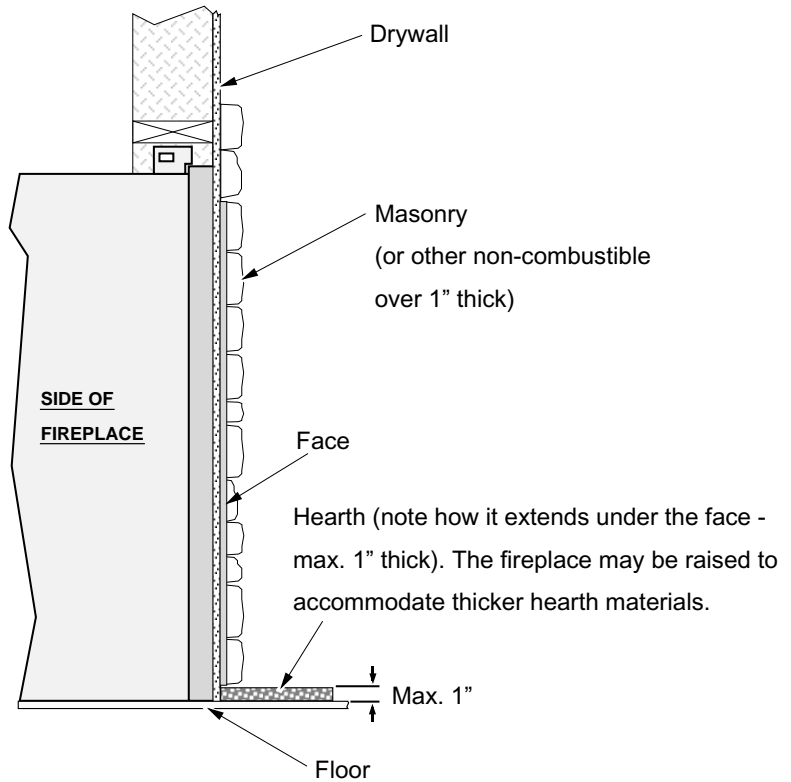
### TOP VIEW



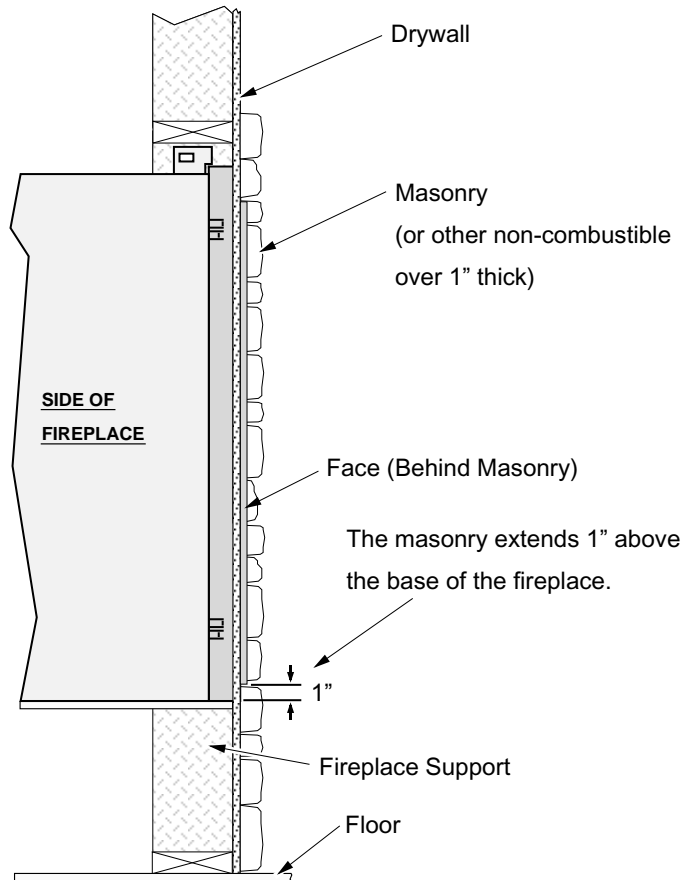
# 36 Finalizing the Installation (for qualified installers only)

## Thick Facing Installation - Side View

### Floor-Mounted Fireplace (with Hearth)

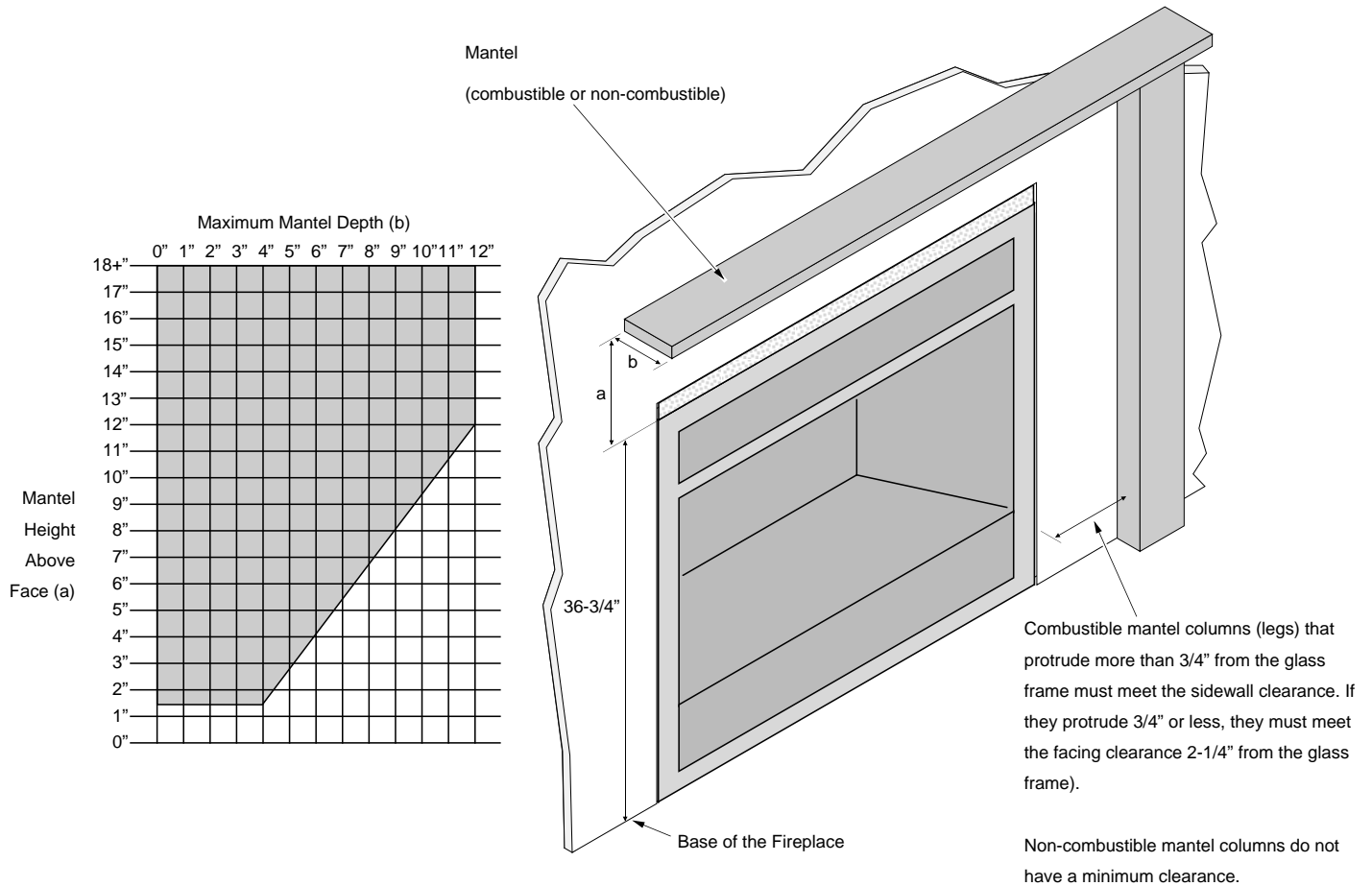


### Raised Fireplace (with no Hearth)



## Mantel Requirements

- The illustration below details mantel clearances and maximum mantel depth.
- Any material that protrudes more than 3/4" from the non-combustible facing is considered a mantel and must meet the mantel requirements.



- Examples:
- If you wish to have a 8" deep mantel, it must be at least 6-3/4" above the fireplace face (43-1/2" above the base).
  - If you wish to have a mantel 8" above the fireplace face, it must be no deeper than 9".

## 38 Finalizing the Installation (for qualified installers only)

### Steps for Finalizing the Installation

1. Remove the glass (see page 40).  
**NOTE:** If using propane (LP) convert the appliance prior to installing the logs.
2. We recommend you purge the gas line at this time (with the glass removed). This allows gas to be detected once it enters the firebox, ensuring gas does not build up.
3. Install the logs (see page 42).
4. Turn on the gas to the fireplace. Turn on gas to the heater. Leak test all gas joints prior to starting the appliance. Start the pilot.

#### Starting the Pilot Flame

**WARNING:** When lighting or re-lighting the pilot, the glass must be removed (see page 38).

- a Remove the glass.
- b Push the gas control knob in slightly and turn it to the "OFF" position. The knob will not turn from "ON" to "OFF" unless the knob is depressed slightly. Wait five minutes to let any gas that may have accumulated inside the firebox escape. If you smell leaking gas, follow the directions on the cover "IF YOU SMELL GAS".
- c Turn the gas control knob to the "PILOT" position and press the knob in, this will allow gas to flow to the pilot light. Press the button on the pilot igniter repeatedly until you see the pilot light.

**WARNING:** If the pilot does not light after 15 seconds, release the knob and call your dealer for service. Do not attempt to light pilot until service has been performed.

**NOTE:**

You may wish to remove the log set to gain a better view of the pilot (see page 42).

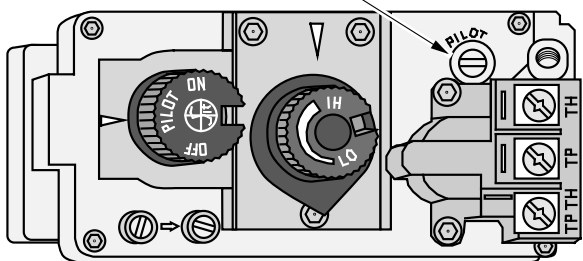
- d Keep the gas control knob depressed for 30 seconds once it is lit.
- e Release the gas control knob. If the pilot goes out, repeat step C. If the pilot refuses to stay lit, call your dealer for service. With the pilot lit, proceed to step "f".
- f Replace the glass.
- g Turn the gas control knob counter-clockwise to "ON". The pilot is now lit and the heater can be turned on and off.

5. Check the pilot flame following the directions below.

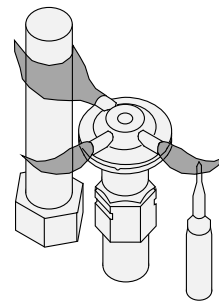
#### Pilot Flame Inspection

The pilot flame should look like the illustration below. Adjust the pilot flame if necessary.

To adjust the pilot flame, turn this screw. Clockwise lowers the flame while counter-clockwise raises it.



The pilot flame must contact the thermocouple and thermopile (see the illustration below). Adjust the pilot up or down as necessary.

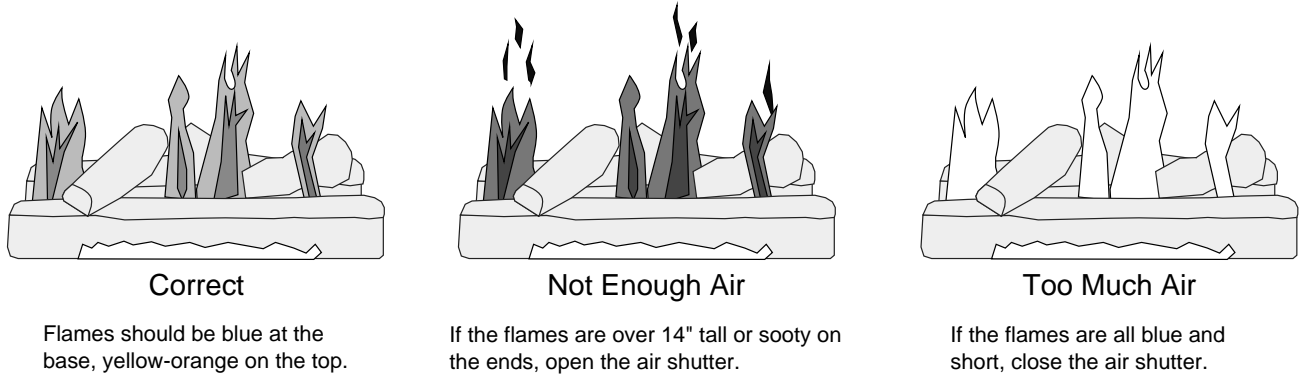


6. Replace the glass.
7. Start the main burner (the main burner circuit is detailed on page 17). Leak test all gas joints again.

8. Check the air shutter following the directions below.

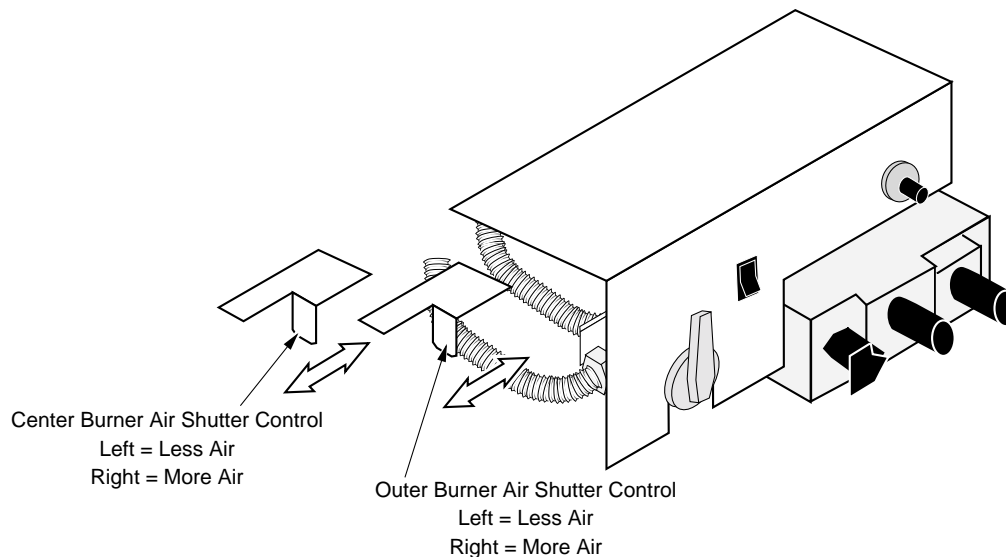
## Air Shutter Adjustment

Let the heater burn for fifteen minutes (make sure the logs and glass are in place). The flames should be yellow with no sooting. Adjust the air shutter, if necessary, to achieve the correct looking flame.



## Air Shutter Adjustment

The air shutters may be adjusted while the burner is on (take care to prevent contacting the burner area).



9. Turn the flame adjust knob to its highest position - the flames should not contact the top of the firebox. Check the flame on low position. The flames should burn off of each burner hole. If the heater does not work correctly, contact your Travis dealer for a remedy.

10. Give this manual to the home owner for future reference and fully explain operation of this heater. For comprehensive operating and maintenance instructions, refer to the Owner's Manual (part # 100-01196).

**ACID WASH WARNING:** Before installing the faceplate, make sure any masonry that has been treated with acid wash has been properly neutralized (this is used primarily with brick faces). Acid wash (muriatic acid) is used to remove excess mortar. If not properly neutralized with an ammonia solution, the plated face may develop a permanent tarnish when the acid evaporates over time. Contact your dealer if uncertain your facing has been properly neutralized.

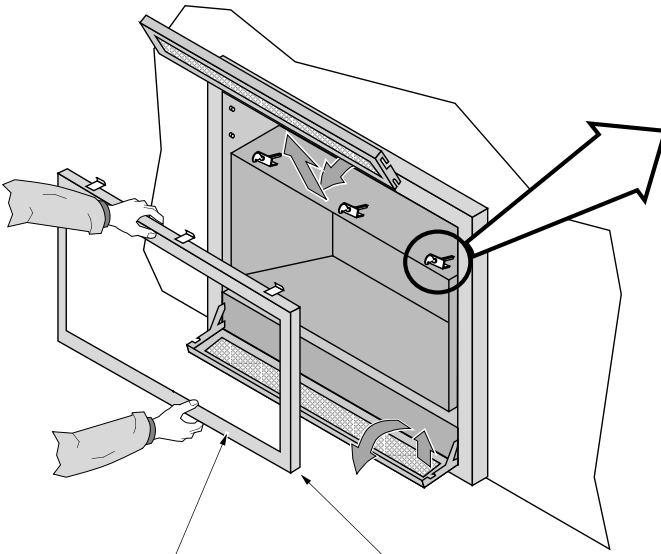
**Glass Frame Removal and Installation**

**Warning:** The appliance must be completely cool before removing the glass.

**Warning:** Do not strike or slam the glass.

- a** Based upon the face being used, either:
- swing the access door down and remove the top grill,
  - remove the face (unscrew or lift off - see the instructions included with the face for details).

Open the four latches holding the glass frame in place (start with the bottom three) - follow the directions shown to the right.



- b** Lift the glass frame up and pull it forward to remove.

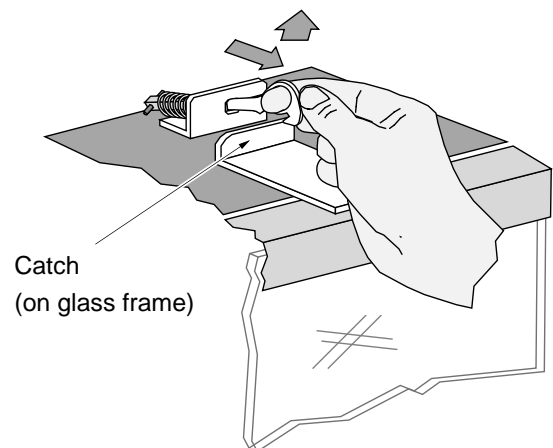
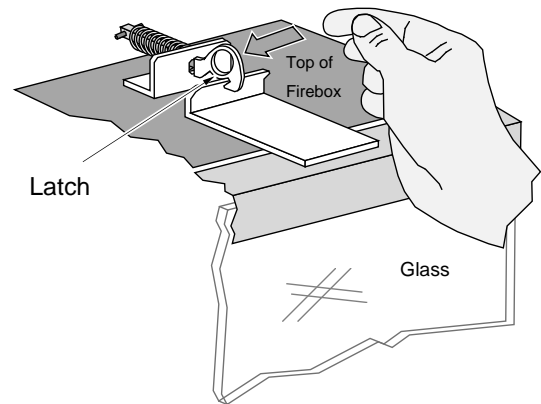
**NOTE:**

You may need to lift the glass frame while re-attaching.

**Re-Attaching the Glass Frame:**

- Hang the glass frame on the firebox.
- While holding in place, attach the upper latches (follow the instructions to the right in reverse).
- Lift the glass frame slightly and attach the lower latches.

**NOTE:** Make sure the glass frame is all the way in place - it should be flush with the front of the fireplace when installed.

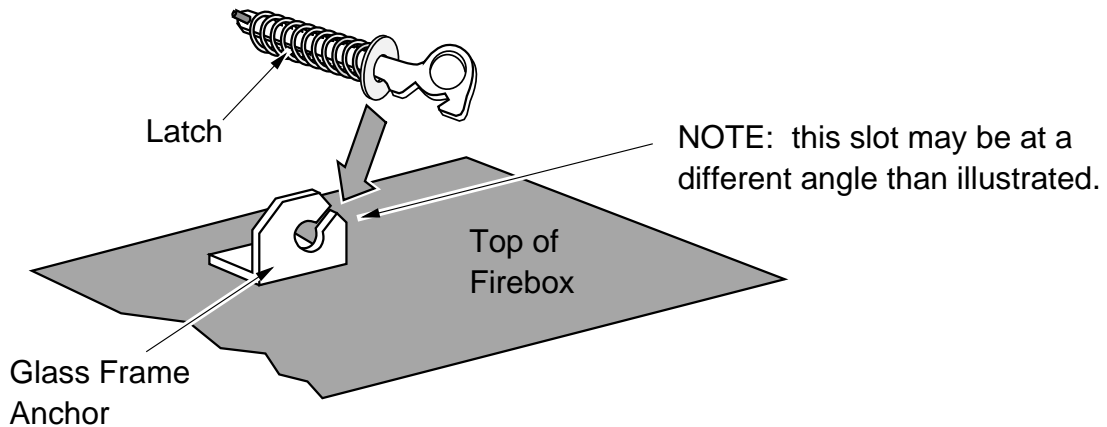




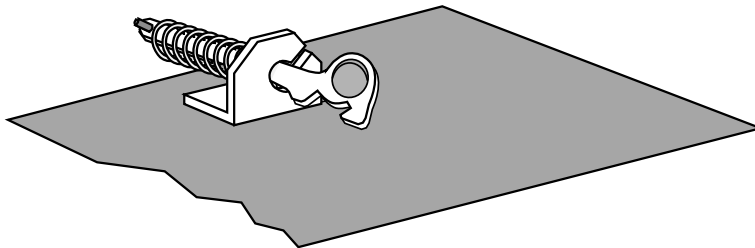
## ***Glass Frame Removal and Installation (continued)***

The latch can come loose from glass frame anchor. This occurs when it is turned 1/4 turn when it is disengaged. Follow the directions below to re-install the latch if it becomes loose.

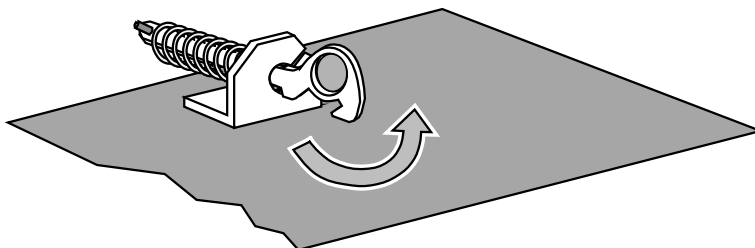
Hold the latch at an angle and insert it into the slot on the glass frame anchor.



Note how the washer on the latch fits behind the flange on the glass frame anchor.



Once fully inserted, turn the latch until it is upright.



## 42 Finalizing the Installation (for qualified installers only)

### *Log Set Installation*

---

#### **Logs in Place – FRONT SIDE (gas control valve side)**

**NOTE:** This fireplace has a front side and back side. The front side (pictured belowj) is the side with the gas control valve.



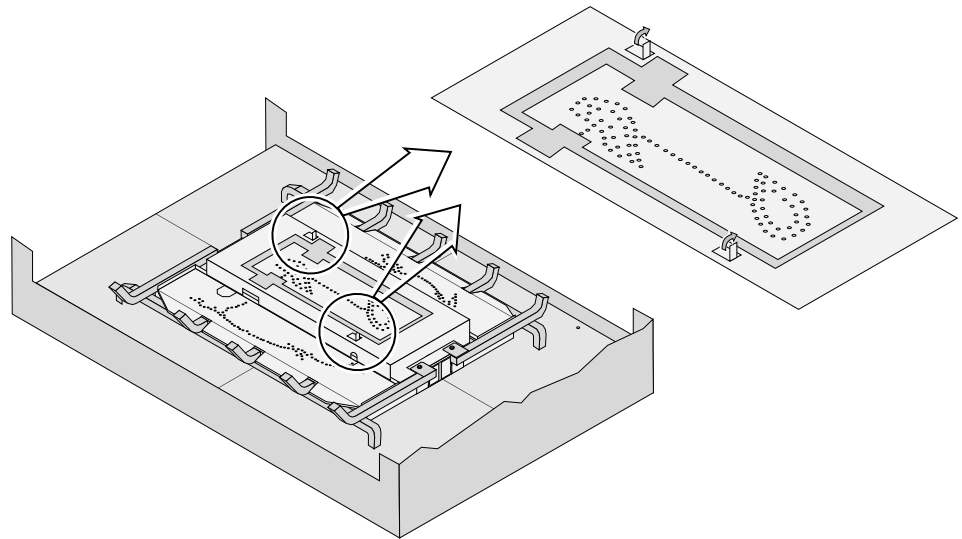
#### **Logs in Place – BACK SIDE**



## Center Log Installation

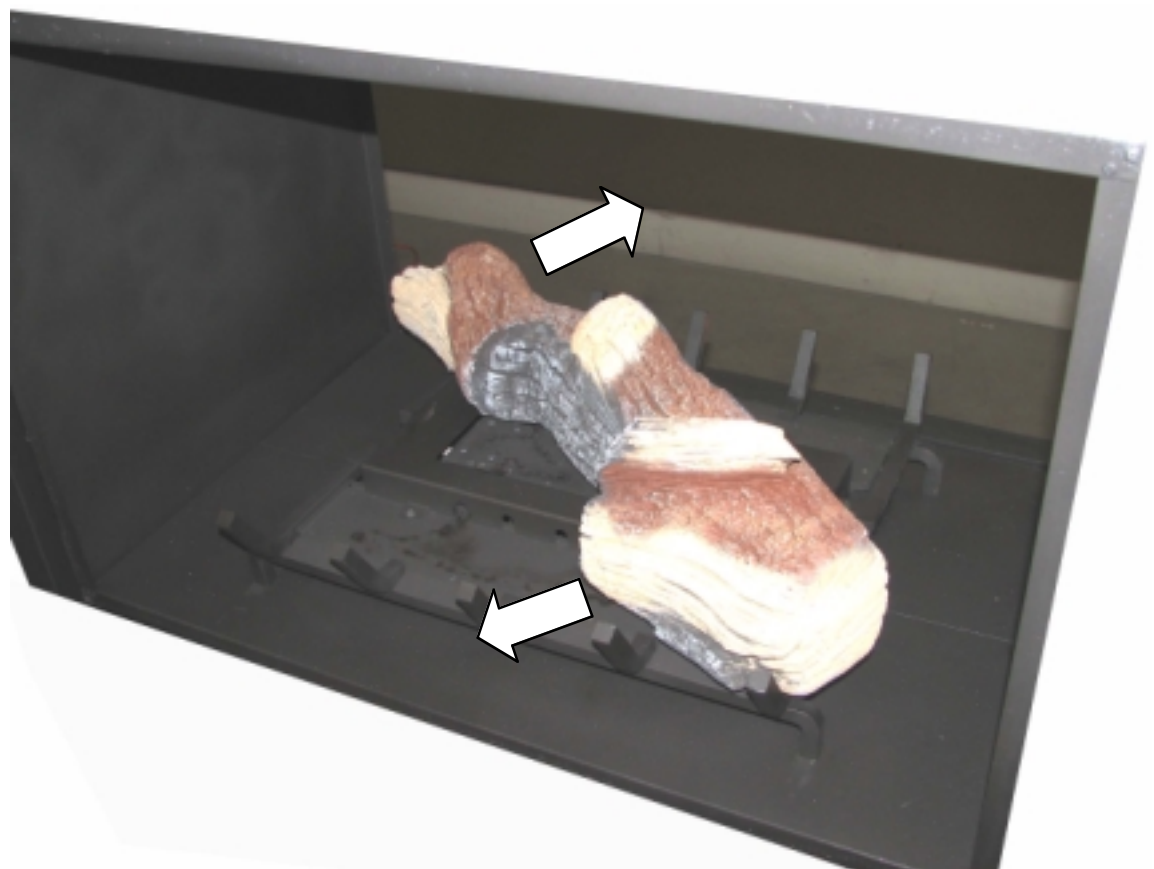
The log shelf has two tabs used to align the center log. Bend these tabs as shown to the right.

Bend these two tabs up 90°. They are used as pins to locate the center log.



Place the center log in place. Make sure the two tabs on the log shelf insert into the two holes on the bottom of the log.

Once in place, rotate the log clockwise until the indents in the log contact the grate.



## 44 Finalizing the Installation (for qualified installers only)

### Front Left Log

Place the front left log as shown below. There is a ledge on the bottom of the log that aligns with the edge of the center burner.



When in place, the front left log has a small gap to the center log.





## Front Left Upper Log

There are two pins on the front left log. The pin to the right is used to locate the front left upper log.



The front left upper log has a groove and one hole on the bottom. The groove fits over the edge of the burner.



When in place, the front left upper log looks like the picture to the right.



## 46 Finalizing the Installation (for qualified installers only)

### Front Upper Center Log

The front upper center log has two holes on its bottom surface. One of the holes fits over the pin on the center log (see picture to the right). The other fits over the pin on the front left log.



When in place, the front upper center log looks like the picture to the right.



## Back Left Log

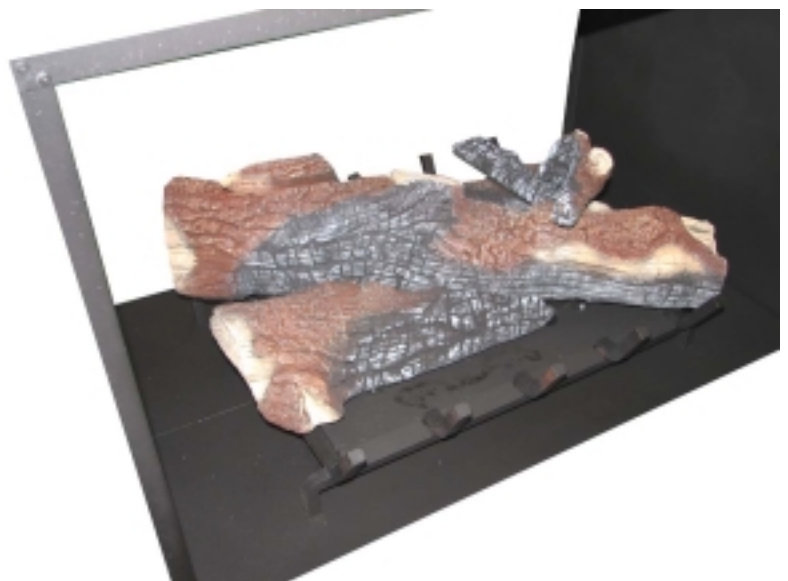
The back left log fits to the left of the center log.



The groove on the bottom of the log fits over the upper burner tray.



Make sure to slide the log towards the center of the firebox. When in place, the log will appear as shown in the picture to the right.





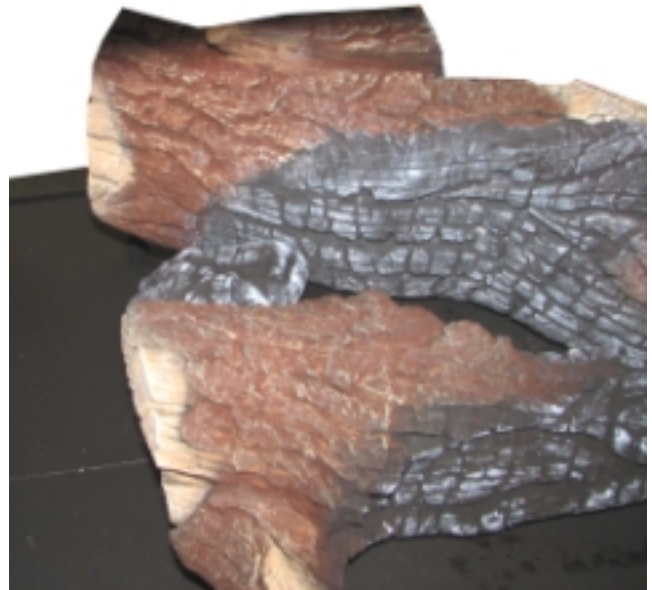
## 48 Finalizing the Installation (for qualified installers only)

### Right Ember Chunk

The right ember chunk is installed from the back. The groove on the bottom of the ember fits over the edge of the upper burner tray. It wedges between the two logs..

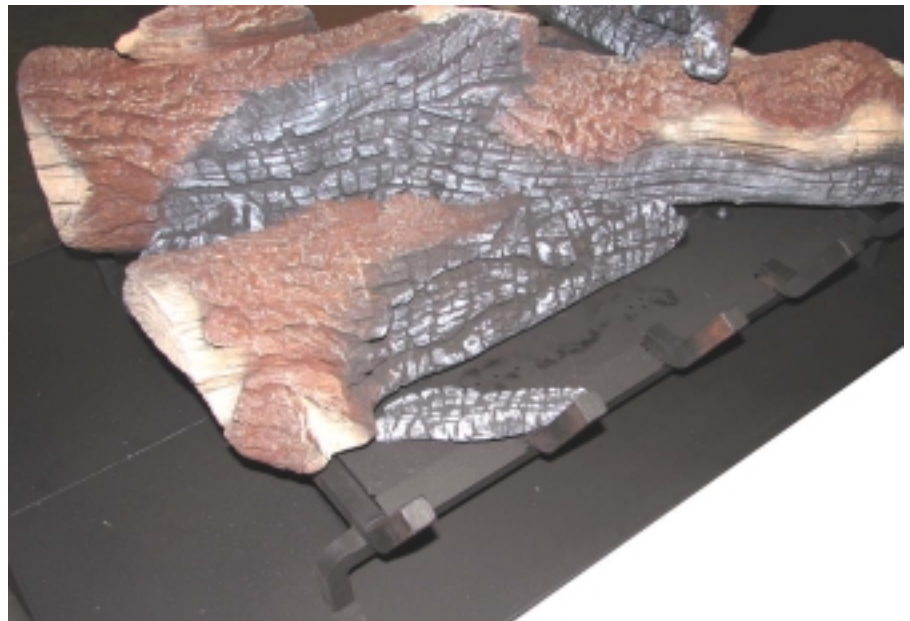


When in place, the left ember chunk looks like the picture to the right.



### Back Ember Chunk

The back ember is placed on the back right side as shown in the picture to the right. Make sure it is not over any burner holes.





## Back Left Log

The pin on the center log inserts into the hole on the back of the back left log.



This groove on the log fits over the grate.



When in place, the log looks like the picture to the right.



## 50 Finalizing the Installation (for qualified installers only)

### Back Upper Right Log

Pins on the center log and back right log help locate this log.



When in place, the back upper right log looks like the picture to the right.



## Ember Placement

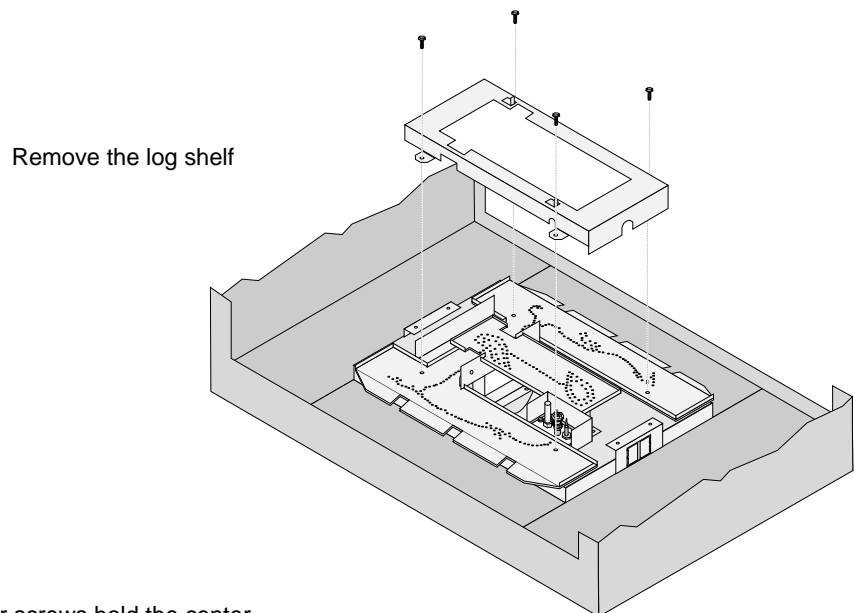
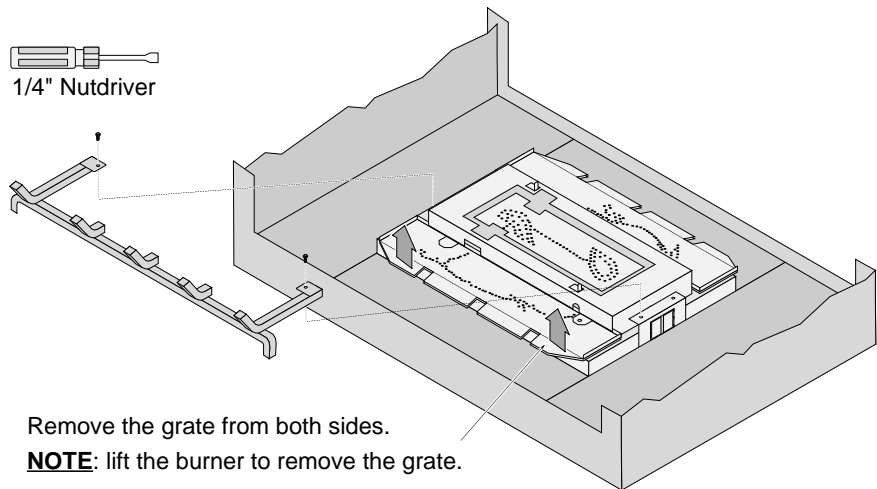
A bag of embers is provided to further enhance the firebox. Place the embers on the firebox floor and on the outer burner (especially over exposed rivets on the burner). Do not place embers over any of the burner holes or air channels. See the picture below.



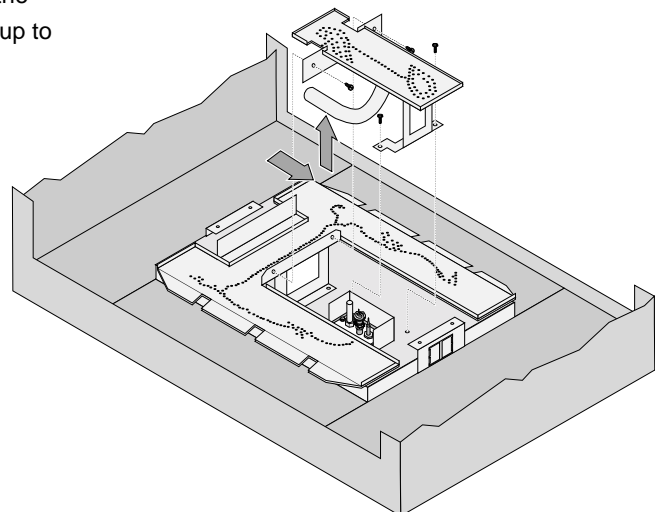
**LP Conversion Instructions**

**Install the conversion kit prior to installing the gas line to ensure proper gas use.**

- 1 Remove the glass (see page 40). Remove the logs and coals (if installed - page 42). Remove the grate and firebacks (see page 52).
- 2 Remove the center burner (see illustration to the right).



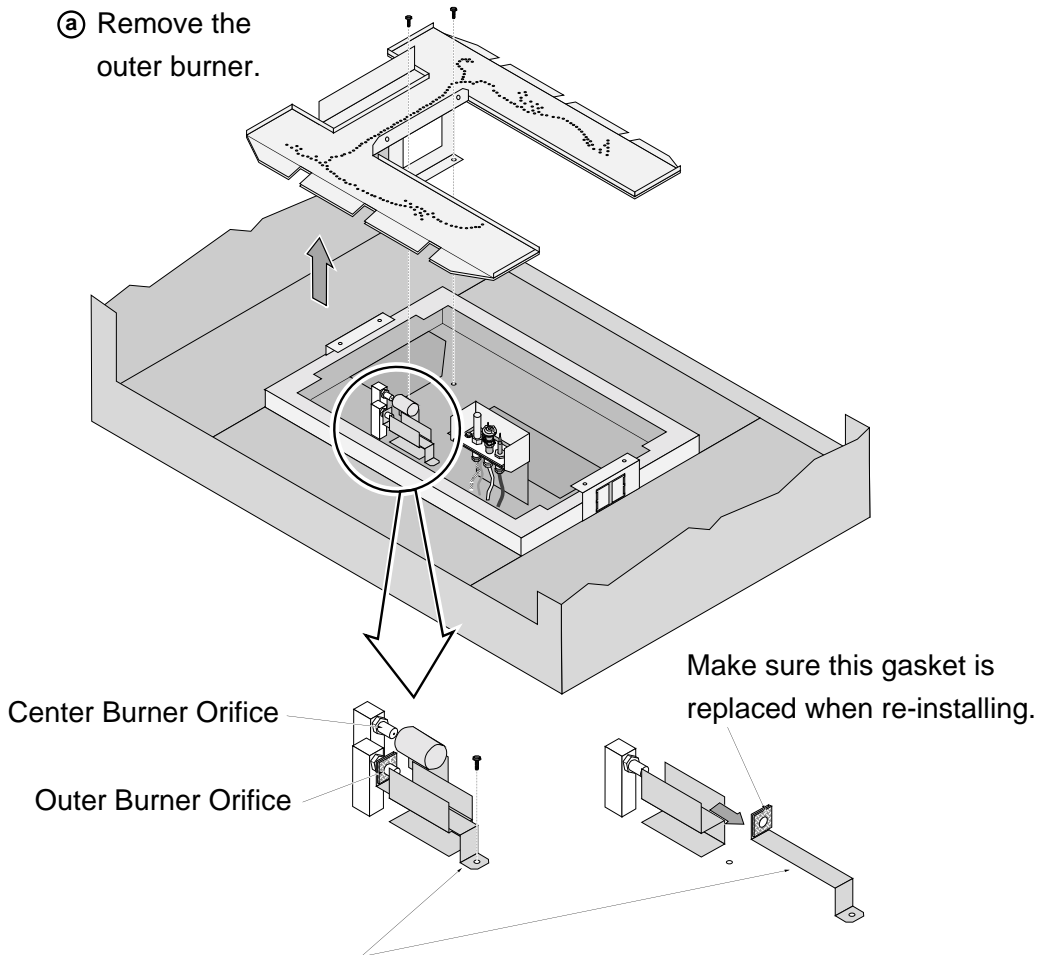
Four screws hold the center burner in place. Slide the burner to the right and up to remove.





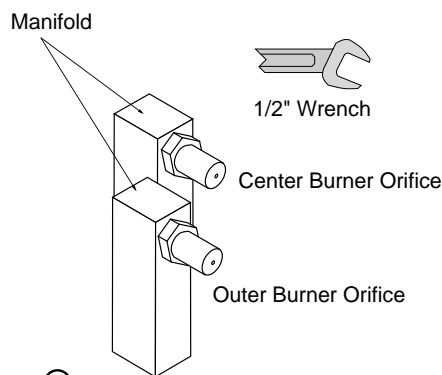
3 Follow the directions below to remove the outer burner and replace the orifices.

(a) Remove the outer burner.



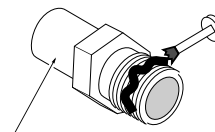
(b) Remove this mixing tube cover.

(c) Use a 1/2" open end wrench to unscrew the two orifices.



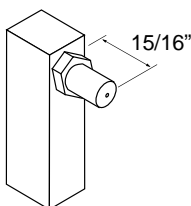
(d)

Apply thread sealant to the LP orifices prior to installation. Use the chart below to identify the correct orifices.



(e)

Screw each LP orifice in so the orifice protrudes 15/16" (indicating full insertion).



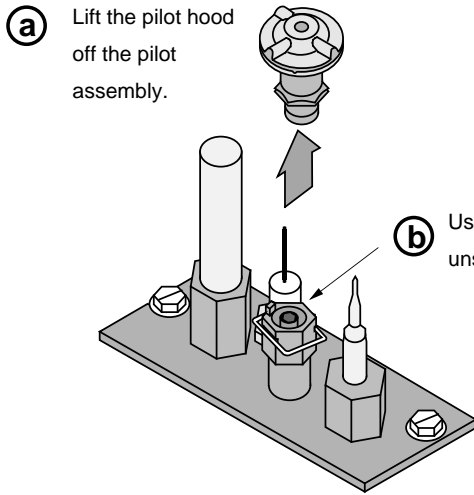
Look here for the orifice identification

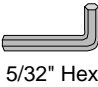
	NG	LP
Center	#48	#55
Outer	#44	#55

# 54

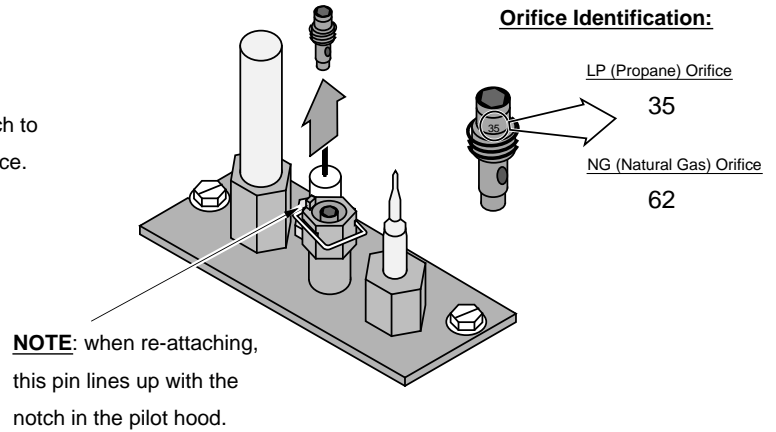
## Optional Equipment (for qualified installers only)

- 4 Remove the pilot orifice following the instructions below. Replace with the propane pilot orifice



- b** Use a hex wrench to unscrew the orifice.
- 
- 5/32" Hex

- c** Remove the orifice and replace with the LP orifice. Screw the orifice all the way in and replace the pilot hood.



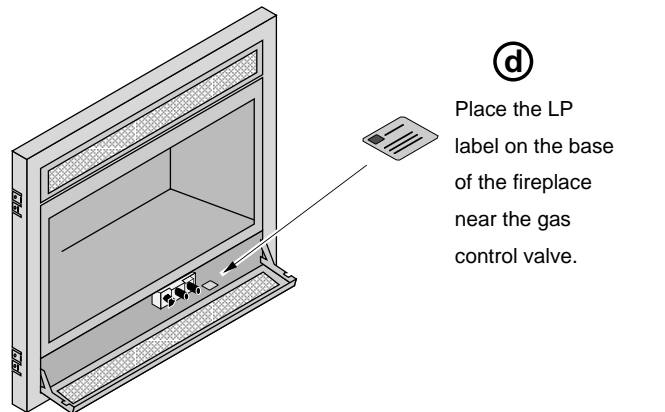
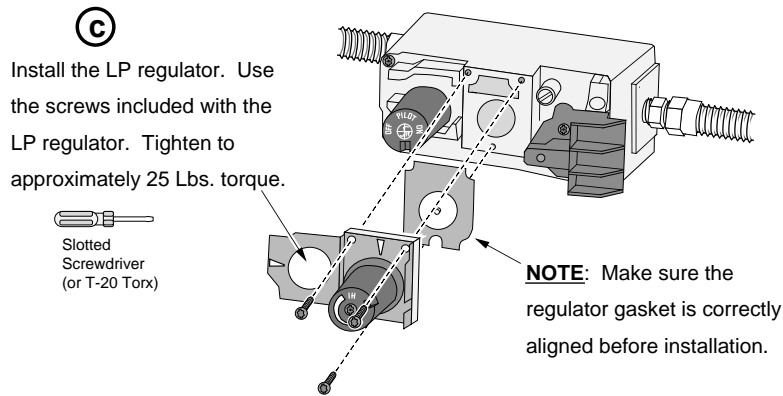
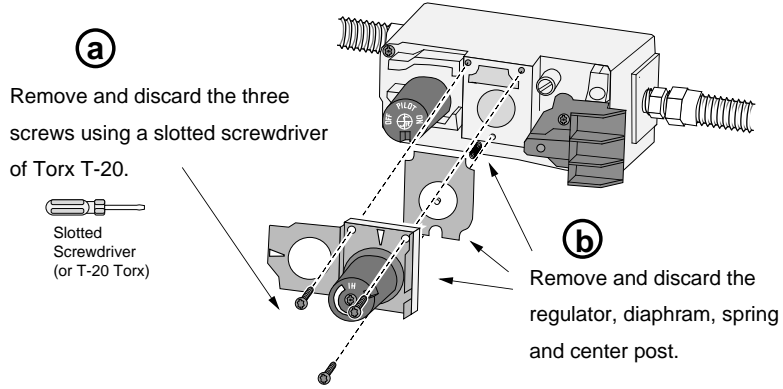
- 5 Replace the firebox components. Install the logs and embers. Replace the glass.

- 6** Remove the regulator from the front of the gas control valve. Replace with the propane regulator, using the new gasket and screws included with the regulator. **NOTE: Leak test this area after the heater is installed, gas is connected, and the main burner is lit.**

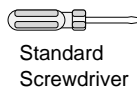
- 7** Make the gas line connection, bleed the gas line (if applicable), start the heater and thoroughly leak-test all gas connections and the gas control valve. Check the pilot (see the illustration below). Adjust if necessary.

**WARNING:**

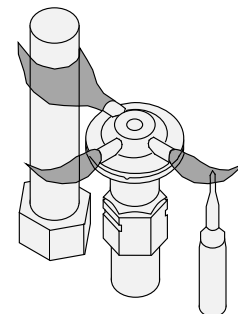
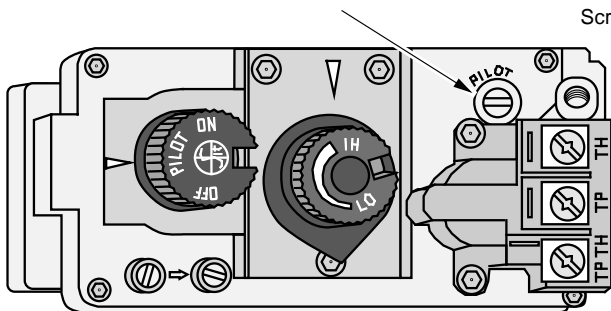
When lighting or re-lighting the pilot, the glass must be removed (see page 40).



To adjust the pilot flame, turn this screw (NOTE: if totally unscrewed gas will come out of this port). Clockwise lowers the flame while counter-clockwise raises it.



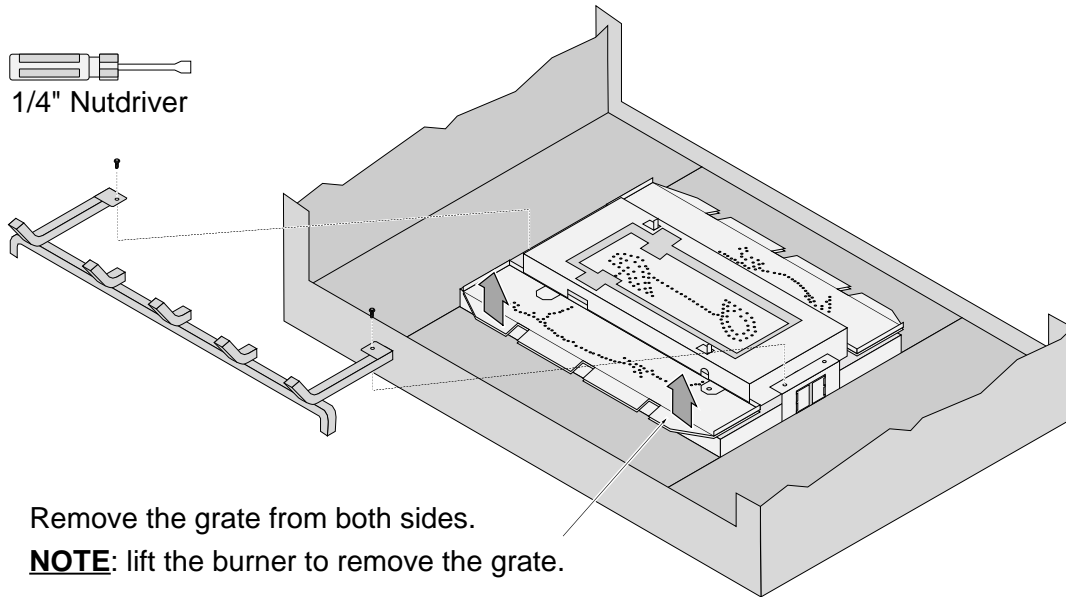
The pilot flame must contact the thermocouple and thermopile (see the illustration below). Adjust the pilot up or down as necessary.



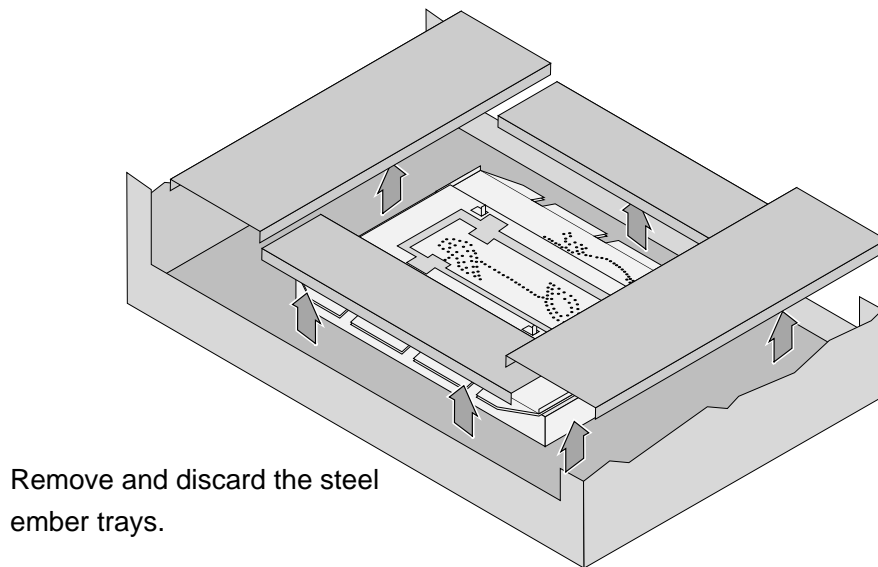
**Fireback Installation**

**WARNING** Turn off gas to the appliance and make sure it has fully cooled prior to conducting service.

- 1 Remove the glass frame and logs (see the installation manual for details).
- 2 Remove the front and rear grates (see the illustration below).

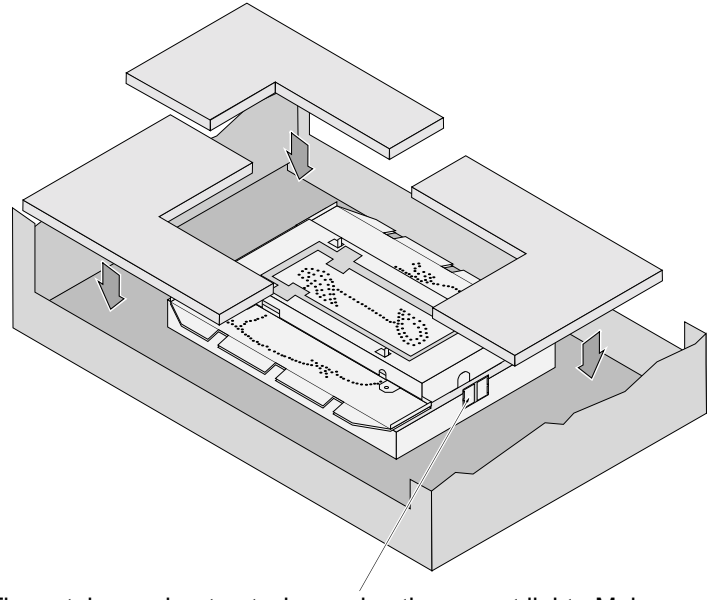


- 3 Remove and discard the steel ember trays.





- Carefully place the floor firebacks into position. You must tip them under and around the corners of the burner.

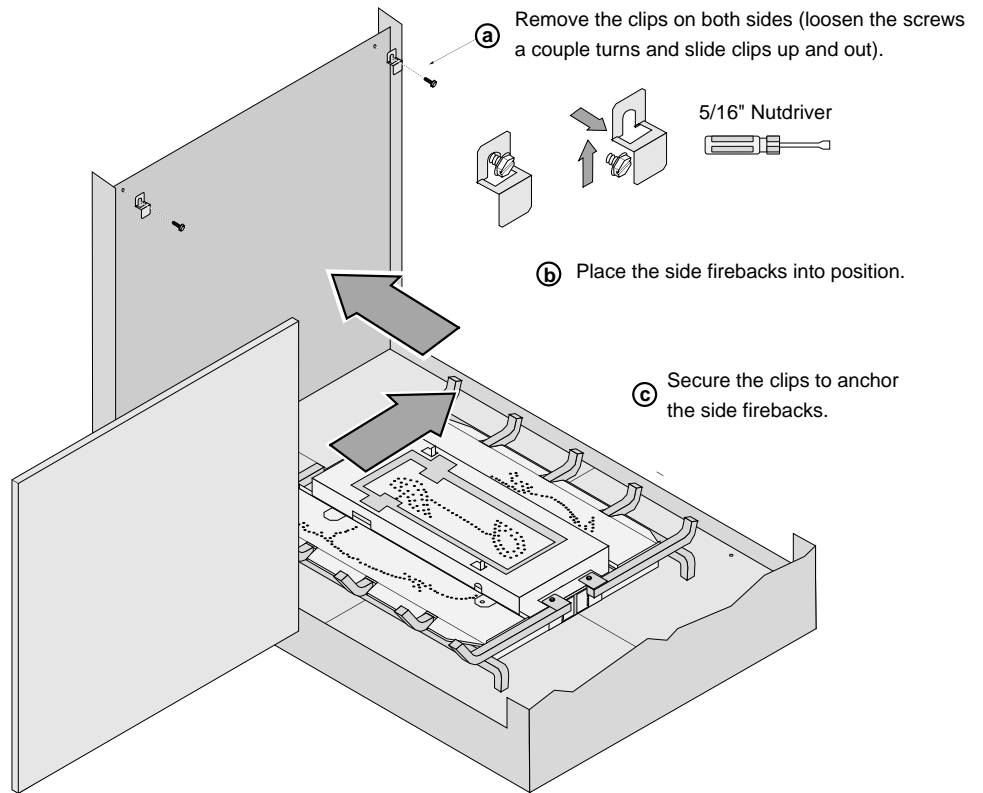


- Carefully replace the front and rear grates (they rest on top of the floor firebacks).

**NOTE:** These tabs are bent out when using the accent light. Make sure to carefully bend them flush if the accent light was previously installed (then reposition them after firebacks are installed).

- Install the side firebacks following the directions below.

- Restore the fireplace to the correct configuration.



The ceramic firebacks are fragile. Ensure proper alignment of individual pieces in each step. To achieve the ideal appearance, you may need to make slight adjustments.

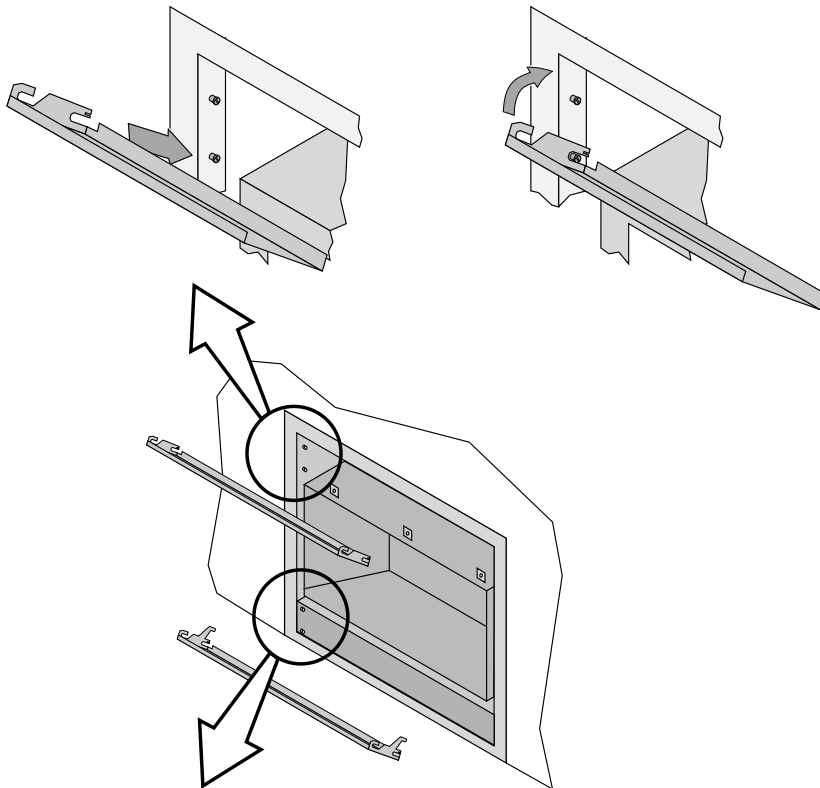
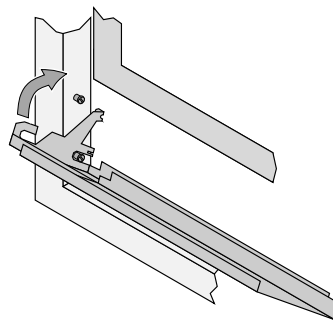
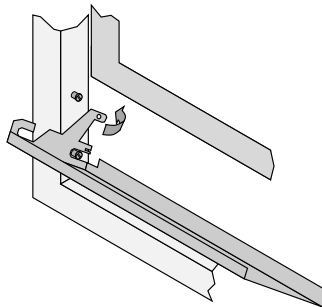
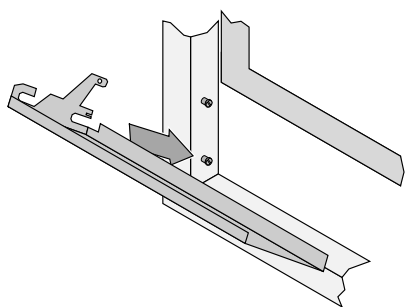
**Grill Installation**

Certain faces allow for installation of an upper and lower grill. Follow the directions below to install.

**Upper Grill Installation**

Hold the grill at an angle and insert the lower slot over the bushing on the fireplace (both sides). You may need press on the grill to get the tab over the bushing (this prevents the grill from accidentally falling off).

Swing the grill upwards to engage the second slot. You will need to lift the grill slightly to get it over the bushing. Once in place the grill is held in place by gravity.

**Lower Grill Installation**

Hold the grill at an angle and insert the lower slot over the bushing on the fireplace (both sides). You may need press on the grill to get the tab over the bushing (this prevents the grill from accidentally falling off).

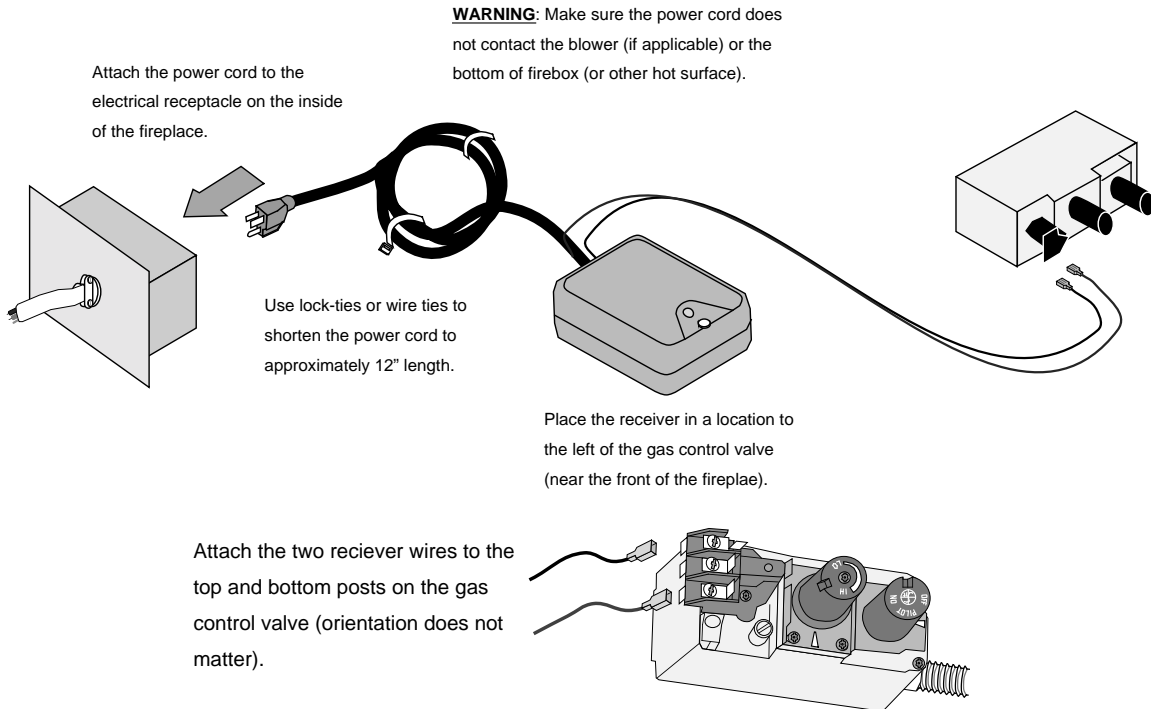
Bend this the tab over on both sides. This is the end-stop for the lower grill, it allows the grill to swing forward.

Swing the grill upwards to engage the second slot. You will need to lift the grill slightly to get it over the bushing. Once in place the grill is held in place by gravity.

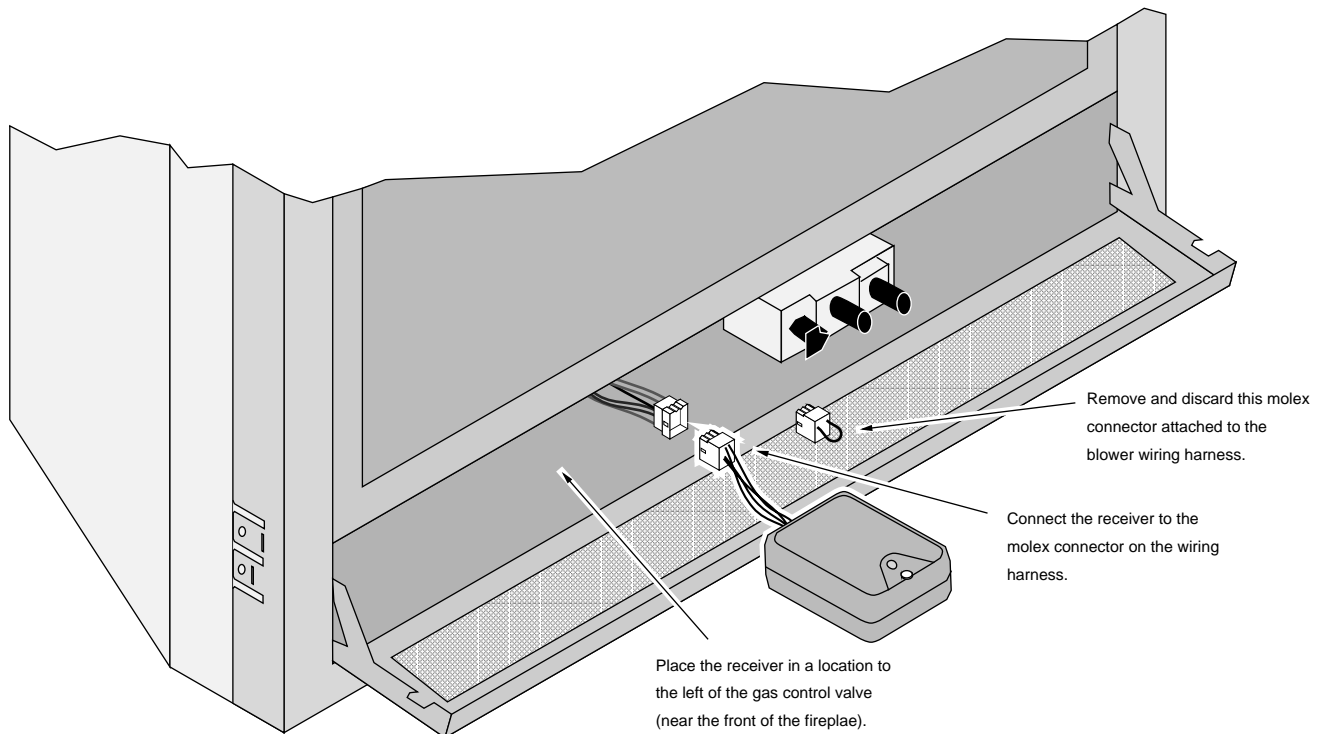
## Remote Control Receiver Installation (2 Options)

The instructions below detail installation of the optional remote control receiver. For operating instructions, refer to the instructions included with the remote.

### OPTION # 1 - Remote Thermostat (99300653)



### OPTION # 2 - Remote Thermostat (99300677) NOTE: Blower required for this remote.

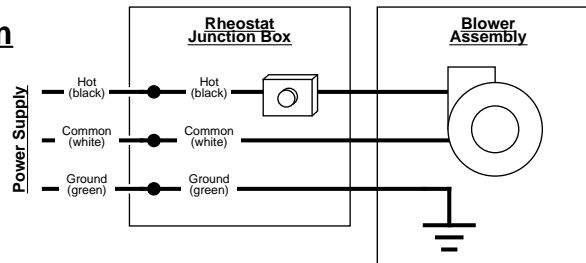


**Extra Room Power Heat Duct (sku 98500769)****Special Instructions for 864 ST**

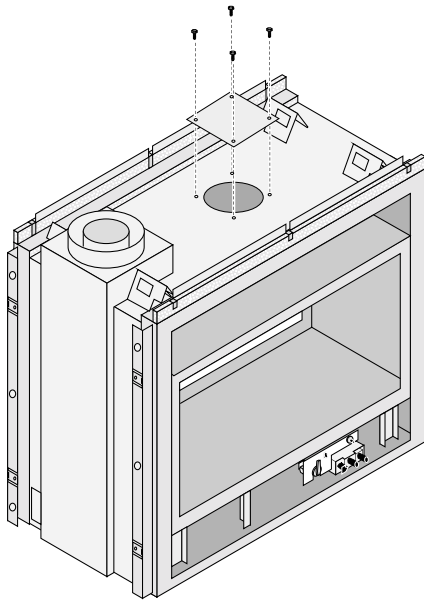
The 864 ST has a removable cover plate shield below the heat duct connections. This allows more heat to be routed to the power heat ducts (see below for details). Otherwise the heat duct is installed the same as an 864TRV (one heat duct kit maximum, manually-controlled on/off operation – see wiring diagram below).

**Power Heat Duct Wiring Diagram****Power Heat Duct Wiring Diagram**

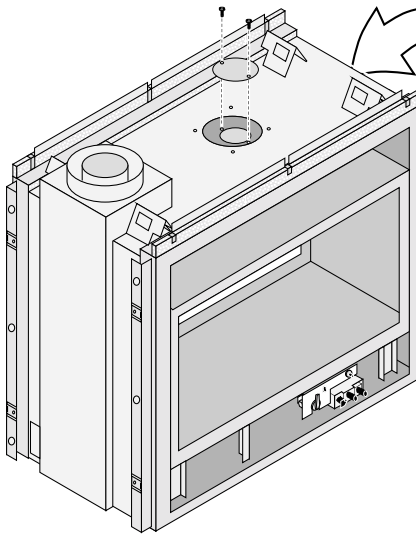
- 864 TRV
- 864 ST
- 864 HH (sn 3407-001009 or less)

**-Remove the Heat Shield Cover Plate**

Remove and discard the power heat duct cover plate.



Remove and discard the circular cover plate attached to the heat shield.



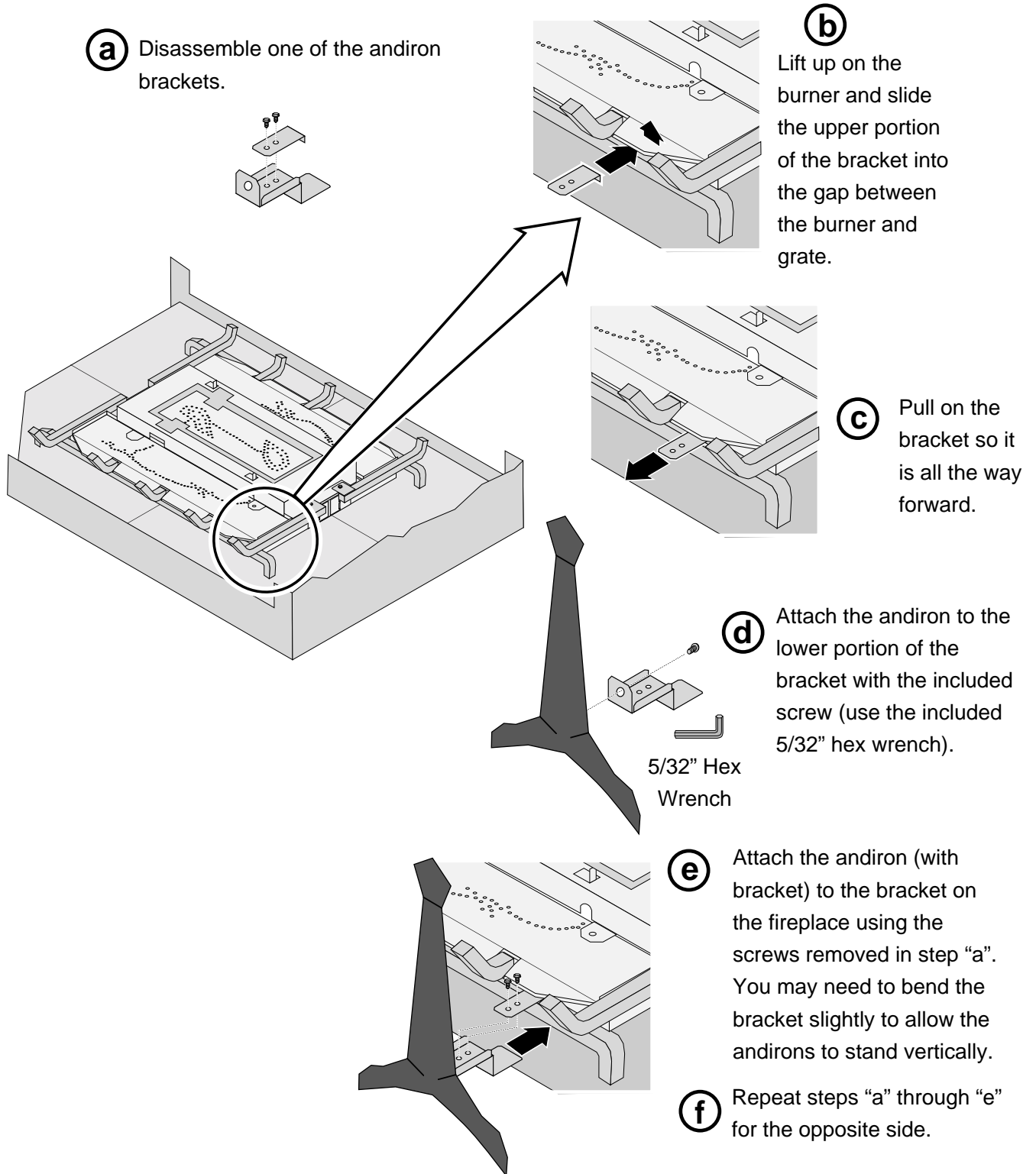
**NOTE:** an additional power heat duct hook-up location is provided on the right side (it is along the top edge of the fireplace).

**NOTE:** Only one hook-up may be used (do not hook up two heat ducts to the fireplace).

## Andiron Installation

Install the andirons after installing all other optional equipment (firebacks, accent light, etc) but before installing the logs.

Part Numbers: Arabesque 98500633 -- Colonial 98500631 -- Wrought Iron 98500632



## Index

Additional Items Required.....	7	Minimum Framing Dimensions – Top or Side Vent Configuration.....	12
Air Shutter Adjustment.....	39	Nailing Brackets.....	13
Altitude Considerations.....	18	Optional Faceplates – Sizing Chart.....	31
Andiron Installation.....	61	Overview.....	2
Approved Vent Configurations.....	20	Packing List.....	7
Approved Vent.....	19	Pilot Flame Inspection.....	38
Clearances.....	11	Pilot Flame Starting.....	38
Converting the Fireplace to Side Vent Configuration.....	9	Raised Fireplaces.....	11
Diffuser Plate Adjustment.....	22	Recommended Installation Procedure.....	7
Dimensions.....	6	Side Vent Configuration with Horizontal Termination (no vertical rise).....	23
Drywall Installation.....	30	Side Vent Configuration with Horizontal Termination (with vertical rise).....	24
Electrical Connection (required).....	16	Side Vent Configuration with Vertical Termination.....	25
Exhaust Restrictor Adjustment.....	20	Recommended Installation Procedure.....	7
Facing Overview.....	31	Remote Control Receiver Installation (2 Options).....	59
Facing Requirements.....	30	Restrictor Position.....	20
Features.....	6	Safety Precautions.....	4
Fireplace Placement Requirements.....	11	Starting the Pilot Flame.....	38
Fuel.....	14	Steps for Finalizing the Installation.....	38
Gas Inlet Pressure.....	14	Termination Requirements.....	28
Gas Line Connection.....	14	Thick Facing Installation with FPX Arched Faces.....	35
Gas Line Location.....	14	Thick Facing Installation.....	34
Gas Line Requirements.....	14	Thin Facing Installation.....	32
Glass Frame Removal and Installation.....	40	Top Vent Configuration with Horizontal Termination.....	26
Grill Installation.....	58	Top Vent Configuration with Vertical Termination.....	27
Hearth Requirements.....	29	Vent Clearances.....	18
Heating Specifications.....	6	Vent Installation.....	19
Installation Options.....	6	Vent Requirements.....	18
Intake Restrictor Adjustment.....	21	Wall Switch Installation.....	17
Listing Details.....	2	Wall Switch or Thermostat Installation.....	17
Log Set Installation.....	42	Wiring Diagram (Millivolt System).....	17
LP Conversion Instructions.....	52		
Mantel Requirements.....	37		
Massachusetts Requirements.....	8		