

564 Space Saver Fireplace

Tested and Listed by



OMNI-Test Laboratories, Inc.
Beaverton, Oregon
Report # 028-F-80-5
ANSI Z21.88b-2003

- **Built-In Direct Vent Fireplace**
- **Natural Gas or Propane**
- **Residential or Mobile Home**

WARNING: If the information in these instructions is not followed exactly, a fire or explosion may result causing property damage, personal injury or loss of life.

- Do not store or use gasoline or other flammable vapors and liquids in the vicinity of this or any other appliance.

WHAT TO DO IF YOU SMELL GAS

- Do not try to light any appliance.
- Do not touch any electrical switch; do not use any phone in your building.
- Immediately call gas supplier from a neighbor's phone. Follow the gas supplier's instructions.
- If you cannot reach your gas supplier, call the fire department.
- Installation and service must be performed by a qualified installer, service agency or the gas supplier.

This appliance may be installed as an OEM installation in a manufactured (mobile) home and must be installed in accordance with the manufacturer's instructions and the manufactured home construction and safety standard, Title 24 CFR, Part 3280.

This appliance is only for use with the type(s) of gas indicated on the rating plate. A conversion kit is supplied with the appliance.

Installation Manual



Installer: After installation give this manual to the homeowner and explain operation of this heater.

**TRAVIS INDUSTRIES
HOUSE OF FIRE**

© Copyright 2007, T.I. \$10.00 100-01188_000 4070620

4800 Harbour Pointe Blvd. SW
Mukilteo, WA 98275

Overview

This manual details the installation requirements for the 564 SS fireplace. For operating and maintenance instructions, refer to the 564 SS Owner's Manual (part # 100-01189).

Listing Details

This appliance was listed by OMNI Test Labs to ANSI Z21.88 - report # 028-F-80-5. The listing label is attached to the appliance near the gas control valve. A copy is shown to the right.

ICBO Approval

This appliance was listed by OMNI Test Labs - ICBO # TL130.

Massachusetts Approval

This manual has been submitted to the Massachusetts Board of State Examiners of Plumbers and Gas Fitters

National Fireplace Institute



We suggest that our gas hearth products be installed and serviced by professionals who are certified in the U.S. by the National Fireplace Institute® (NFI) as NFI Gas Specialists.

www.nficertified.org

564 SS
Vented Gas Fireplace Heater

Tested & Listed by **OMNI** Laboratories, Inc. Report No. 028-F-80-5
 Certified for USA and Canada
 Tested to: ANSI Z21.88a-2007/CSA 2.33a-2007 "Vented Gas Fireplace Heater", CGA 2.17-M91, UL 3075-1995 "Gas Burning Heating Appliances for Manufactured Homes" and CSA F44.1-02.
 This appliance must be installed in accordance with local codes. If any; if none, follow the National Fuel Gas Code, ANSI Z223.1/MFPA 54, or Natural Gas and Propane Installation Codes, CSA B149.1.
 This appliance must be installed in accordance with the current Standard CAN/CSA Z240 MH, Mobile Housing, in Canada or with the Manufactured Home Construction and Safety Standard, Title 24 CFR, Part 3280, in the United States, or when such a standard is not applicable, ANSINCSCS A225, MFPA 30/A, Manufactured Home Installation Standard.
 This vented gas fireplace heater is equipped at the factory for use with natural gas. If conversion to propane (LP) is desired, the optional factory conversion kit must be used.
 This appliance is only for use with the type of gas indicated on the rating plate and may be installed in an aftermarket, permanently located, manufactured home (where permitted by local codes), or in a mobile home where local codes do not prohibit its use. This appliance is not convertible for use with other gases, unless a certified kit is used.
 This vented gas fireplace heater is not for use with air fillers.
 Keep burner and control compartment clean. See installation and operating instructions accompanying appliance.
 This appliance must be properly vented to a venting system in accordance with the manufacturer's installation instructions. Use only approved venting systems for this appliance. See owner's manual for approved venting systems.
 WARNING: In venting installations, always use the correct venting system. Do not use any venting system other than that specified in the manual provided with this appliance. For assistance or additional information consult a qualified installer, service agency or the gas supplier.

VENTED GAS FIREPLACE HEATER – NOT FOR USE WITH SOLID FUEL

CAUTION: Hot while in operation. Do not touch. Severe burns may result. Keep children, clothing, furniture, gasoline and other liquids having flammable vapors away. Do not operate this appliance with glass removed, cracked or broken. Replacement of the panel(s) should be done by a licensed or qualified service person.

IGN 625

Minimum Clearances to Combustibles


Fireplace to Adjacent Wall	1" (26 mm)	Top to enclosure (from stand-offs)	0" (0 mm)
Wood Floor Beneath Fireplace	0" (0 mm)	Sides to enclosure	0.5" (13 mm)
Back to enclosure	0.5" (13 mm)	Base of Fireplace to an 12" Mantel (see manual for other mantel depths)	38.5" (978 mm)

Max. Input Rate on "HI" (BTU/Hr)	20,500	Min. Input Rate on "LO" (BTU/Hr)	4,200	LP	N.G.
Min. Input Rate on "HI" (BTU/Hr)	4,200	Minimum Inlet Pressure (inches W.C.)	11"	5.5"	7"
		Maximum Inlet Pressure (inches W.C.)	13"	7"	7"
		Manifold Pressure on "HI" (inches W.C.)	10"	3.5"	3.5"

For natural gas when equipped with the following drill size orifice: DMS 56 Front - 50 Back
 For propane when equipped with the following drill size orifice: DMS 67 Front - 1.1mm Back

This appliance is equipped for use only at altitudes 0-2,000 feet (0-610m) in the USA. In Canada, 0-4500 feet (0-1370m).
 For altitudes above 2,000 feet, the vent configuration, orifice, or combination of both may need to be changed.
 See the owner's manual for information on making these changes.

Electrical Rating: 115v, 1.5 Amps, 60 Hz



TRAVIS INDUSTRIES
HOUSE OF FIRE

4800 Harbour Pointe Blvd. SW Mukilteo, WA 98275

Manufacture	2007	2008	2009	Jan.	Feb.	Mar.	Apr.	May	Jun.	Jul.	Aug.	Sep.	Oct.	Nov.	Dec.
Date:	■	■	■	■	■	■	■	■	■	■	■	■	■	■	■

Introduction

Overview.....	2
Listing Details	2

Safety Precautions

Safety Precautions	4
--------------------------	---

Features and Specifications

Features	6
Installation Options.....	6
Heating Specifications.....	6
Dimensions.....	6

Installation

Packing List.....	7
Additional Items Required.....	7
Installation Overview.....	7
Recommended Installation Procedure.....	7
Top Stand-Off Assembly	9
Converting the Fireplace to Top Vent Configuration.....	10
Fireplace Placement Requirements.....	12
Clearances.....	12
Raised Fireplaces	12
Min. Framing Dims. - Rear Vent Configuration.....	13
Min. Framing Dims. - Top Vent Configuration.....	14
Nailing Brackets	15
Corner Installations - Rear Vent Configuration.....	16
Corner Installations - Top Vent Configuration.....	17
Gas Line Requirements.....	18
Fuel.....	18
Gas Line Connection	18
Gas Inlet Pressure.....	18
Gas Line Location.....	18
Electrical Connection (required).....	20
Wall Switch or Thermostat Installation.....	21
Wiring Diagram (Millivolt System).....	21
Wall Switch Installation	21
Vent Requirements.....	22
Vent Clearances.....	22
Altitude Considerations.....	22
Approved Vent	23
Vent Installation	23
Approved Vent Configurations.....	24
Restrictor Position	24
Exhaust Restrictor Adjustment.....	24
Intake Restrictor Adjustment.....	25
Diffuser Plate Adjustment.....	26
Rear Vent Config. W Horizontal Term. (no vertical rise)	27
Rear Vent Config. W Horizontal Term. (w vertical rise).....	28
Rear Vent Configuration with Vertical Termination.....	29
Top Vent Configuration with Horizontal Termination.....	30
Top Vent Configuration with Vertical Termination	31
Termination Requirements	32

Installation (continued)

Hearth Requirements.....	33
Facing Requirements.....	34
Drywall Installation.....	34
Facing Overview.....	35
Optional Faceplates – Sizing Chart.....	35
Thin Facing Installation.....	36
Thick Facing Installation	38
Thick Facing Installation with FPX Arched Faces.....	39
Mantel Requirements.....	41
Install Example - Build-Out (Dog-House) w Hor. Term.	42
Install Example - Build-In w Hor. Term.	43

Finalizing the Installation

Steps for Finalizing the Installation.....	44
Starting the Pilot Flame.....	44
Pilot Flame Inspection	44
Air Shutter Adjustment.....	45
Glass Frame Removal and Installation	46
Log Set Installation.....	48
LP Conversion Instructions	55

Optional Equipment

Fireback Installation.....	59
Blower (part # 99000156).....	60
Grill Installation.....	63
Remote Control Receiver Installation (2 Options)	64
Accent Light Installation 94400100.....	65

Index

Index	70
-------------	----

Safety Warnings:

- Failure to follow all of the requirements may result in property damage, bodily injury, or even death.
- This unit must be installed by a qualified installer to prevent the possibility of an explosion.
- This appliance must be installed in accordance with all local codes, if any; if not, in U.S.A. follow ANSI Z223.1 and NFPA 54(88).
- A manufactured home (USA onl) or mobile home OEM installation must conform with the Manufactured Home Construction and Safety Standard, Title 24 CFR, Part 3280, or, when such a standard is not applicable, the Standard for Manufactured Home Installations, ANSI/NCSBCS A225.1, or Standard for Gas Equipped Recational Vehicles and Mobile Housing, CSA Z240.4. This appliance may be installed in Manufactured Housing only after the home is site located.
- All exhaust gases must be vented outside the structure of the living-area. Combustion air is drawn from outside the living-area structure. The venting must not be connected to a chimney flue serving a separate solid-fuel burning appliance.
- Notify your insurance company before hooking up this fireplace.
- The room heater should be inspected before use and at least annually by a qualified service person. More frequent cleaning may be required due to excessive lint from carpeting, bedding material, etc.
- The instructions in this manual must be strictly adhered to. Do not use makeshift methods or compromise in the installation. Improper installation will void the warranty and safety listing.
- This heater is approved for use with natural gas (NG) or propane (LP). Burning the incorrect fuel will void the warranty and safety listing and may cause an extreme safety hazard. Direct questions about the type of fuel used to your dealer. Check the label and flame adjust knob on the gas control valve.
- Contact your local building officials to obtain a permit and information on any installation restrictions or inspection requirements in your area.
- If the flame becomes sooty, dark orange in color, or extremely tall, do not operate the heater. Call your dealer and arrange for proper servicing.
- It is imperative that control compartments, screens, or circulating air passageways of the heater be kept clean and free of obstructions. These areas provide the air necessary for safe operation.
- Do not operate the heater if it is not operating properly in any fashion or if you are uncertain. Call your dealer for a full explanation of your heater and what to expect.
- Do not store or use gasoline or other flammable liquids in the vicinity of this heater.
- Do not operate if any portion of the heater was submerged in water or if any corrosion occurs.
- Do not place clothing or other flammable items on or near the heater. Because this heater can be controlled by a thermostat there is a possibility of the heater turning on and igniting any items placed on or near it.
- Light the heater using the built-in piezo igniter. Do not use matches or any other external device to light your heater.
- Never remove, replace, modify or substitute any part of the heater unless instructions are given in this manual. All other work must be done by a trained technician. Don't modify or replace orifices.
- The viewing glass should be opened only for lighting the pilot or conducting service.
- Any safety screen or guard removed for servicing must be replaced prior to operating the heater.

Safety Warnings (continued):

- Allow the heater to cool before carrying out any maintenance or cleaning.
- Operate the heater according to the instructions included in this manual.
- If the main burners do not start correctly turn the gas off at the gas control valve and call your dealer for service.
- The pilot flame must contact the thermopile and thermocouple. If it does not, turn the gas control valve to "OFF" and call your dealer.
- This unit is not for use with solid fuel.
- Do not place anything inside the firebox (except the included fiber logs).
- If the fiber logs become damaged, replace with Travis Industries log set.
- Do not throw this manual away. This manual has important operating and maintenance instructions that you will need at a later time. Always follow the instructions in this manual.
- Do not touch the hot surfaces of the heater. Educate all children of the danger of a high-temperature heater. Young children should be supervised when they are in the same room as the heater.
- Due to the high temperature, the heater should be located out of traffic and away from furniture and draperies.
- Instruct everyone in the house how to shut gas off to the appliance and at the gas main shutoff valve. The gas main shutoff valve is usually next to the gas meter or propane tank and requires a wrench to shut off.
- **Travis Industries, Inc. grants no warranty, implied or stated, for the installation or maintenance of your heater, and assumes no responsibility of any consequential damage(s).**

Installation Options

- Residential or Mobile Home
- Straight or Corner Placement
- Flush or Recessed Face
- Raised or Floor Placement
- Internal or External Chase
- Horizontal or Vertical Vent
- Bedroom Approved

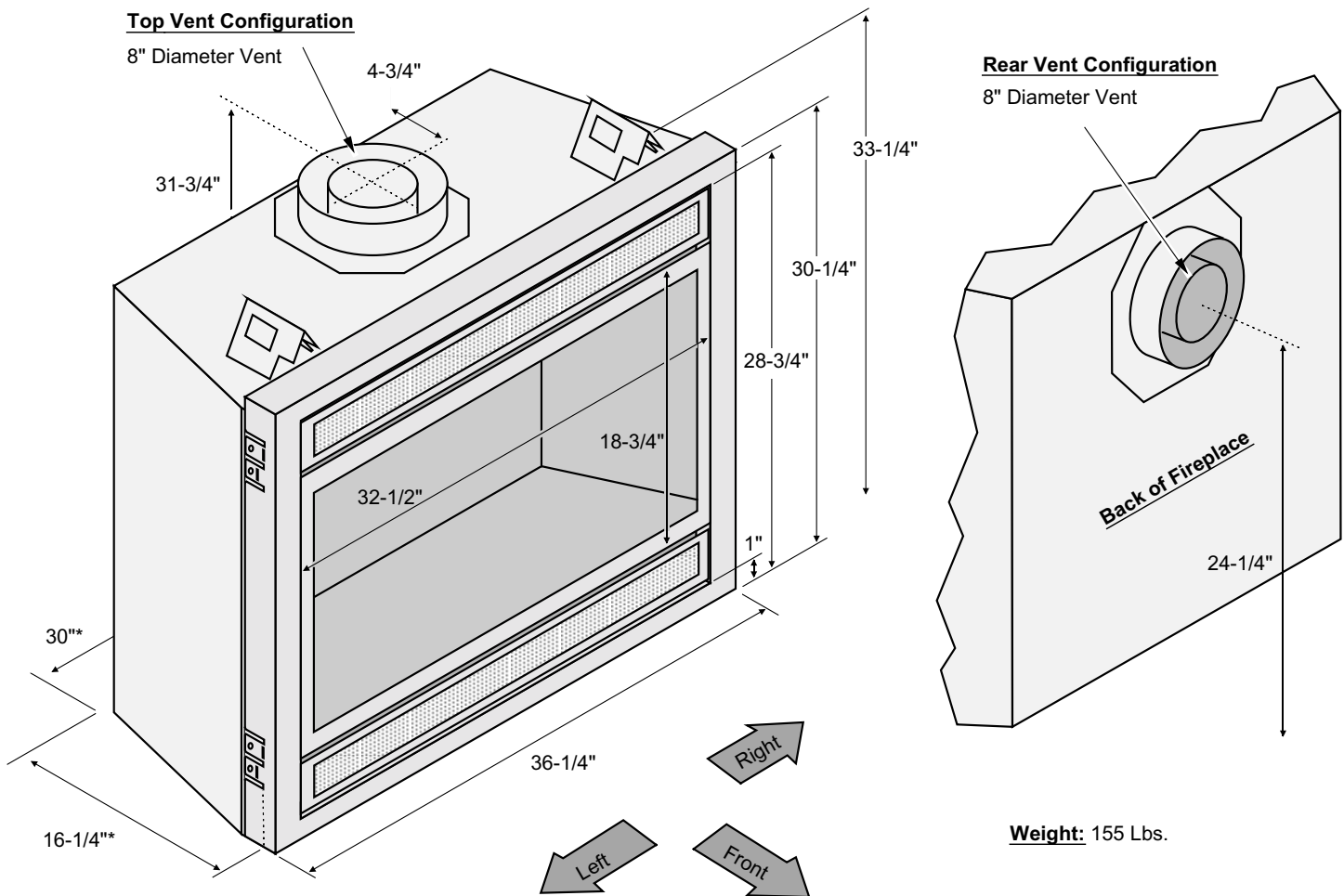
Heating Specifications

	Natural Gas	Propane
Approximate Heating Capacity (in square feet)*	950	950
Maximum BTU Input Per Hour	20,500	20,500
Steady State Efficiency** (with optional blowers on)**	76.5 %	74.2 %

* Heating capacity will vary with floor plan, insulation, and outside temperature.

** Efficiency rating is a product thermal efficiency rating determined under continuous operation independent of installed system.

Dimensions



* Includes the required 1/2" clearance.

Packing List

- Propane Conversion Kit
- Log Set
- Wall Switch with Wire (see page 21 for details)
- Firestop (sku 250-00747)

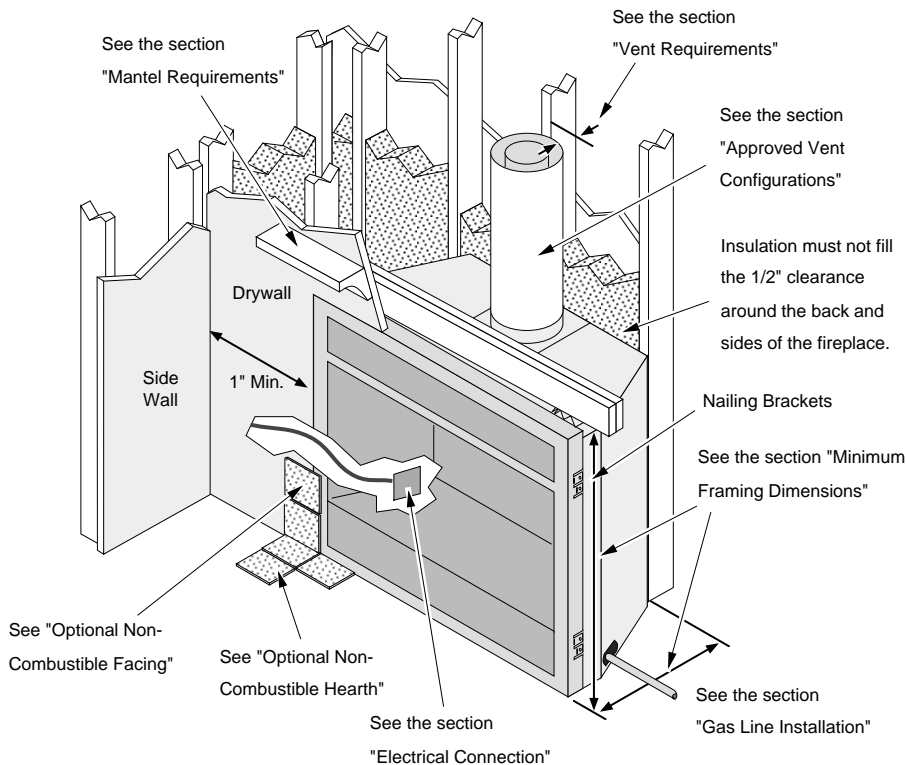
Additional Items Required

- Direct Vent
- Gas Line Equipment (shutoff valve, pipe, etc.)
- Electrical Equipment (min. 14 gauge, grounded line)

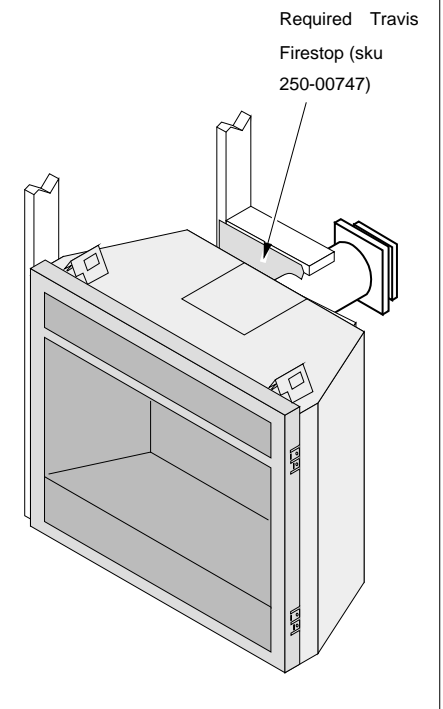
Installation Overview

- All requirements below must be met.

Top Vent Configuration



Rear Vent Configuration



Recommended Installation Procedure

- 1 Frame the opening for the fireplace. Make sure to allow for vent installation.
- 2 This fireplace is designed to accommodate 1/2" or 5/8" drywall (see "Nailing Brackets" on page 15 for details). Secure the fireplace to the framing.
- 3 Install the vent, gas line and electrical hook-up.
- 4 Install the wall switch (see page 21) or thermostat (if applicable).
- 5 Install the drywall.
- 6 Install the hearth (if applicable).
- 7 Install the facing (if applicable).
- 8 Install the mantel (if applicable).
- 9 Finalize the installation (see page 44) and install the grill or face.

Massachusetts Requirements

NOTE: The following requirements reference various Massachusetts and national codes not contained in this document.

Requirements for the Commonwealth of Massachusetts

For all side wall horizontally vented gas fueled equipment installed in every dwelling, building or structure used in whole or in part for residential purposes, including those owned or operated by the Commonwealth and where the side wall exhaust vent termination is less than seven (7) feet above finished grade in the area of the venting, including but not limited to decks and porches, the following requirements shall be satisfied:

Installation of Carbon Monoxide Detectors

At the time of installation of the side wall horizontal vented gas fueled equipment, the installing plumber or gasfitter shall observe that a hard wired carbon monoxide detector with an alarm and battery back-up is installed on the floor level where the gas equipment is to be installed. In addition, the installing plumber or gasfitter shall observe that a battery operated or hard wired carbon monoxide detector with an alarm is installed on each additional level of the dwelling, building or structure served by the side wall horizontal vented gas fueled equipment. It shall be the responsibility of the property owner to secure the services of qualified licensed professionals for the installation of hard wired carbon monoxide detectors.

In the event that the side wall horizontally vented gas fueled equipment is installed in a crawl space or an attic, the hard wired carbon monoxide detector with alarm and battery back-up may be installed on the next adjacent floor level.

In the event that the requirements of this subdivision can not be met at the time of completion of installation, the owner shall have a period of thirty (30) days to comply with the above requirements; provided, however, that during said thirty (30) day period, a battery operated carbon monoxide detector with an alarm shall be installed.

Approved Carbon Monoxide Detectors

Each carbon monoxide detector as required in accordance with the above provisions shall comply with NFPA 720 and be ANSI/UL 2034 listed and IAS certified.

Signage

A metal or plastic identification plate shall be permanently mounted to the exterior of the building at a minimum height of eight (8) feet above grade directly in line with the exhaust vent terminal for the horizontally vented gas fueled heating appliance or equipment. The sign shall read, in print size no less than one-half (1/2) inch in size, "GAS VENT DIRECTLY BELOW. KEEP CLEAR OF ALL OBSTRUCTIONS".

Inspection

The state or local gas inspector of the side wall horizontally vented gas fueled equipment shall not approve the installation unless, upon inspection, the inspector observes carbon monoxide detectors and signage installed in accordance with the provisions of 248 CMR 5.08(2)(a)1 through 4.

Exemptions

The following equipment is exempt from 248 CMR 5.08(2)(a)1 through 4:

- The equipment listed in Chapter 10 entitled "Equipment Not Required To Be Vented" in the most current edition of NFPA 54 as adopted by the Board; and
- Product Approved side wall horizontally vented gas fueled equipment installed in a room or structure separate from the dwelling, building or structure used in whole or in part for residential purposes.

MANUFACTURER REQUIREMENTS**Gas Equipment Venting System Provided**

When the manufacturer of Product Approved side wall horizontally vented gas equipment provides a venting system design or venting system components with the equipment, the instructions provided by the manufacturer for installation of the equipment and the venting system shall include:

- Detailed instructions for the installation of the venting system design or the venting system components; and
- A complete parts list for the venting system design or venting system.

Gas Equipment Venting System NOT Provided

When the manufacturer of a Product Approved side wall horizontally vented gas fueled equipment does not provide the parts for venting the flue gases, but identifies "special venting systems", the following requirements shall be satisfied by the manufacturer:

- The referenced "special venting system" instructions shall be included with the appliance or equipment installation instructions; and
- The "special venting systems" shall be Product Approved by the Board, and the instructions for that system shall include a parts list and detailed installation instructions.

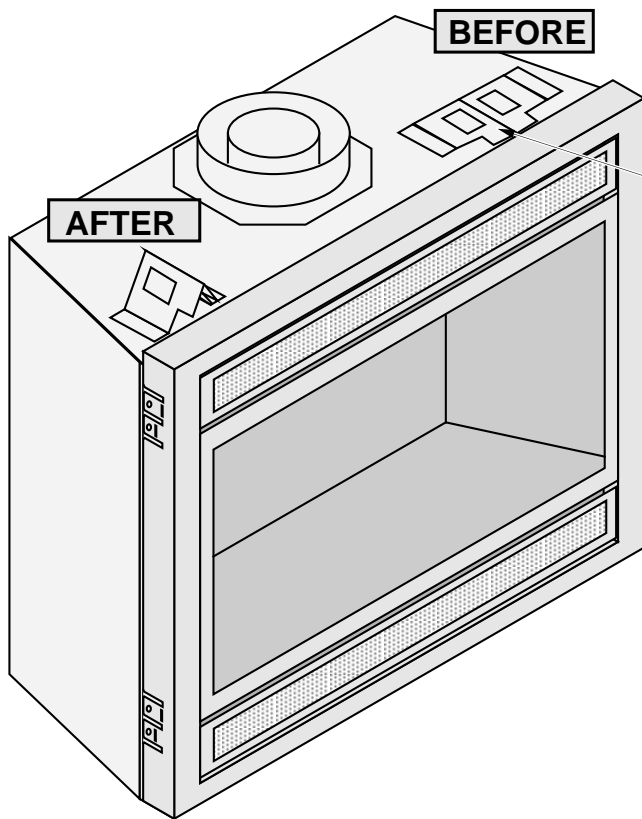
A copy of all installation instructions for all Product Approved side wall horizontally vented gas fueled equipment, all venting instructions, all parts lists for venting instructions, and/or all venting design instructions shall remain with the appliance or equipment at the completion of the installation.

See Gas Connection section for additional Commonwealth of Massachusetts requirements.

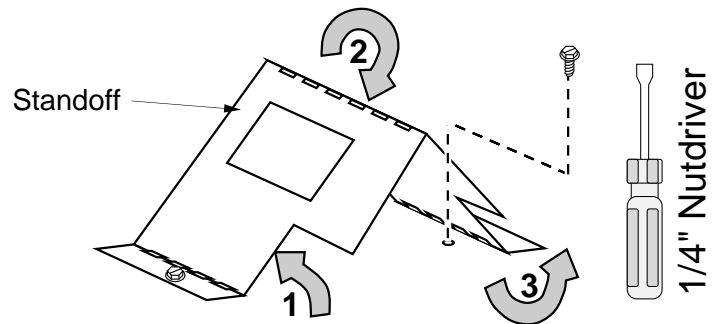
Top Stand-Off Assembly

The top stand-offs must be assembled prior to installation.

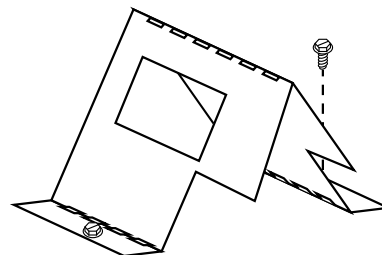
Warning: You must follow the instructions below to elevate both standoffs. Failure to do so will result in an extreme fire hazard.



The standoffs are shipped in the flat position. Make sure to follow the instructions below before installing the fireplace.



- a) Bend the standoff in the numbered sequence shown above.
- b) Remove the screw below the standoff.



- c) Replace the screw to secure the standoff.

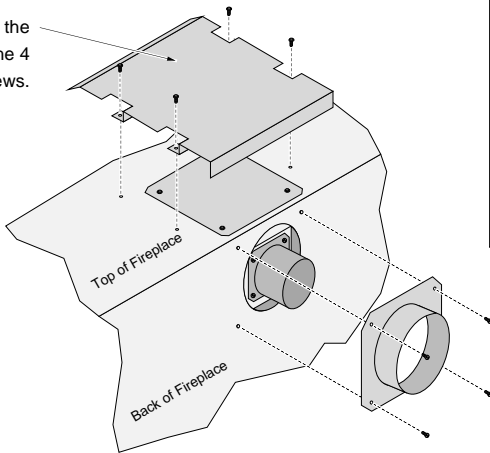
Top Vent or Rear Vent Configuration

This appliance is shipped in the rear vent configuration. To change to the top vent configuration, follow the directions below.

NOTE: the vent configuration affects several aspects of installation (framing, maximum vent rise, maximum vent run). Make sure the vent configuration is correct prior to installation. You may wish to configure the diffuser when changing the vent configuration.

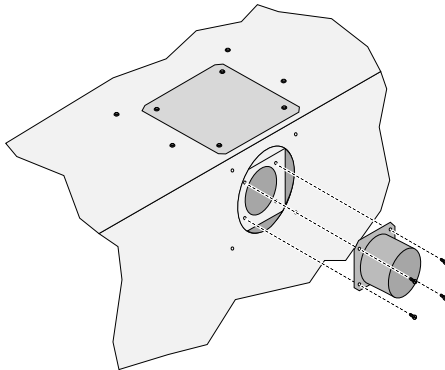
Converting the Fireplace to Top Vent Configuration

Remove and discard the heat shield. Replace the 4 removed screws.



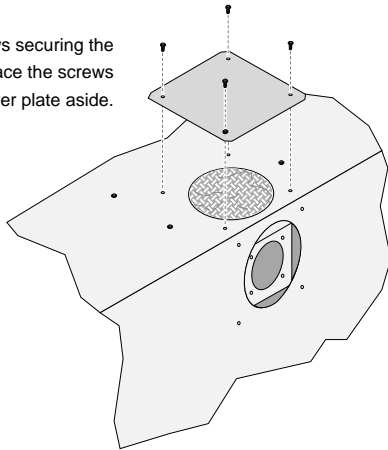
NOTE: Use a magnetic-tipped nutdriver on these screws - take care to prevent the screws from falling into the fireplace.

Remove the 4 screws securing the outer flue assembly. Place the screws and assembly aside.

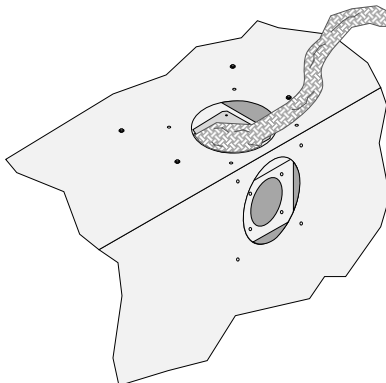


Remove the 4 screws securing the inner flue assembly. Place the screws and assembly aside.

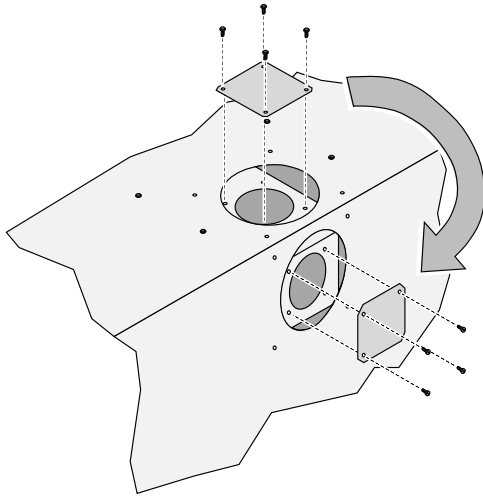
Remove the 4 screws securing the intake cover plate. Place the screws and cover plate aside.



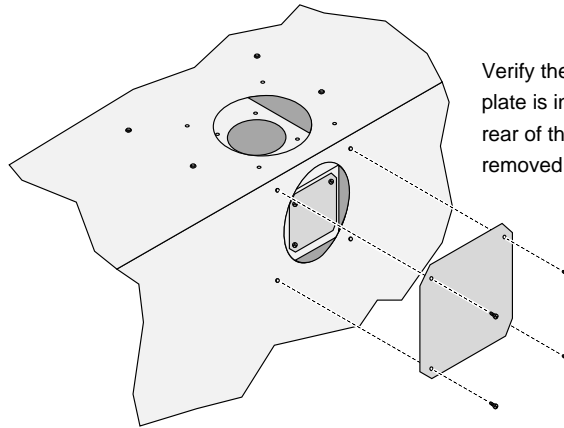
Remove and discard the insulation found below the large cover plate.



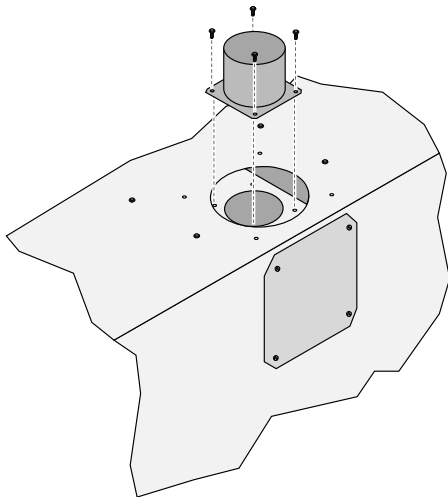
Converting the Fireplace to Top Vent (continued)



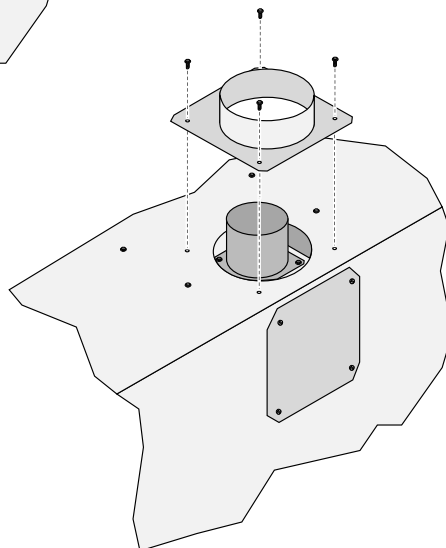
Remove the 4 screws securing the exhaust cover plate. Verify the gasket on the cover plate is in place, then attach it to the rear-facing exhaust port with the same screws.



Verify the gasket on the intake cover plate is in place, then attach it to the rear of the fireplace using the screws removed earlier.



Verify the gasket on the inner flue assembly is in place, then attach it to the upward-facing exhaust port using the screws removed earlier.



Verify the gasket on the outer flue assembly is in place, then attach it to the top of the fireplace using the screws removed earlier.

Fireplace Placement Requirements

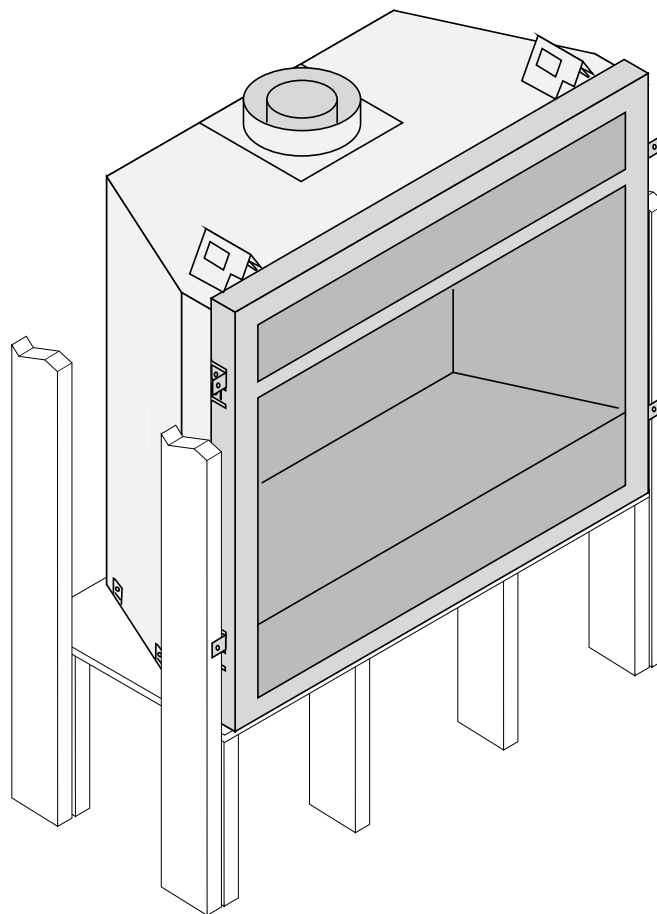
- The fireplace requires a 1/2" clearance from the angled sides and back of the fireplace to the framing members. No material (insulation, framing, etc.) may be placed into this area.
- Fireplace must be installed on a level surface capable of supporting the fireplace and vent
- Fireplace must be placed directly on wood or non-combustible surface (not on linoleum or carpet)
- This heater may be placed in a bedroom. Please be aware of the large amount of heat this appliance produces when determining a location.

Clearances

- When installed, walls in front of the fireplace must be a minimum 1" to the side of the fireplace.
- Due to the high temperature, the heater should be located out of traffic and away from furniture and draperies.
- Fireplace must be placed so the vents below and above the glass do not become blocked.

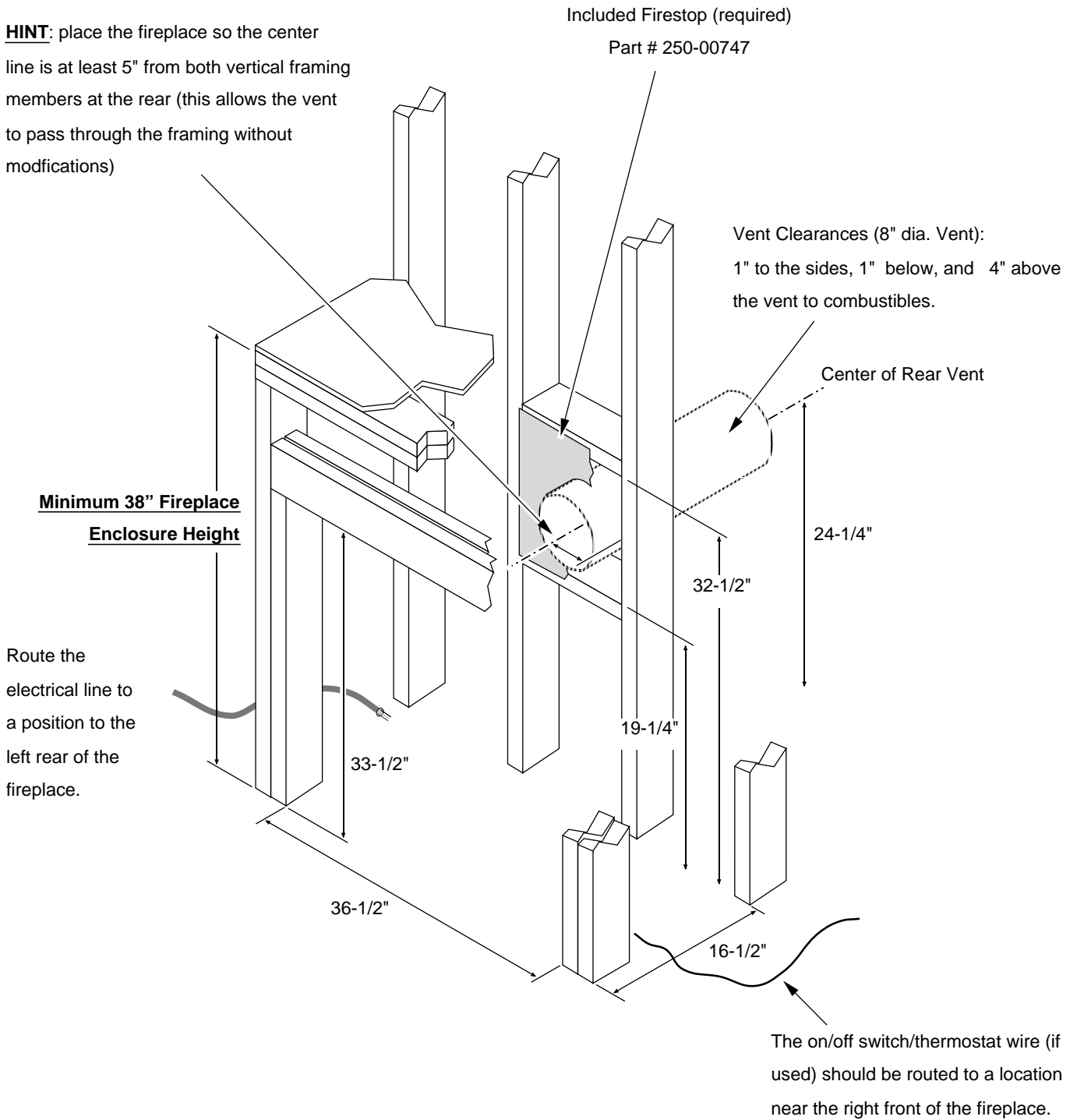
Raised Fireplaces

- The fireplace (and hearth, if desired) may be placed on a platform designed to support the fireplace (155 Lbs.) and vent.

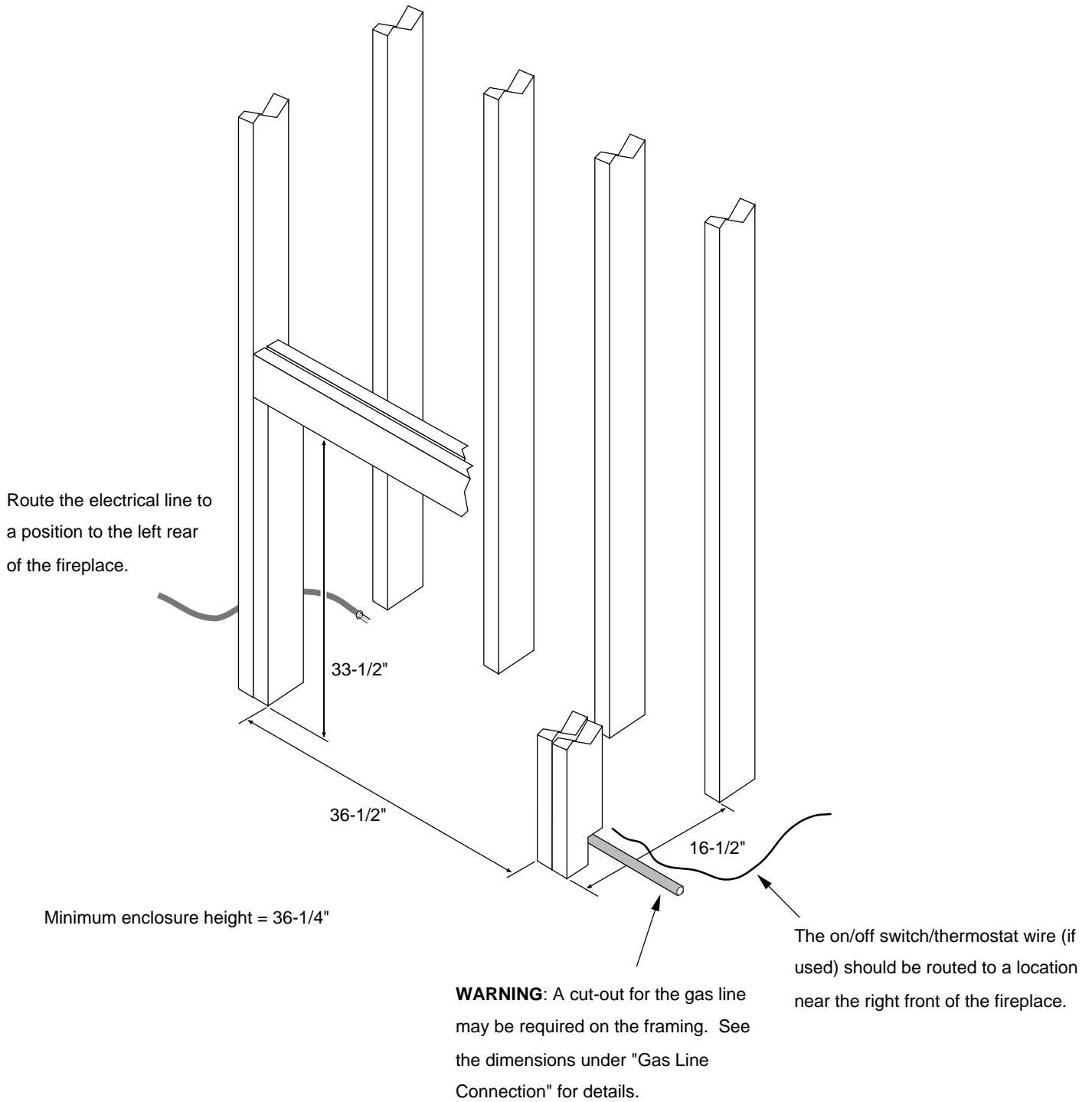


Minimum Framing Dimensions - Rear Vent Configuration

HINT: place the fireplace so the center line is at least 5" from both vertical framing members at the rear (this allows the vent to pass through the framing without modifications)



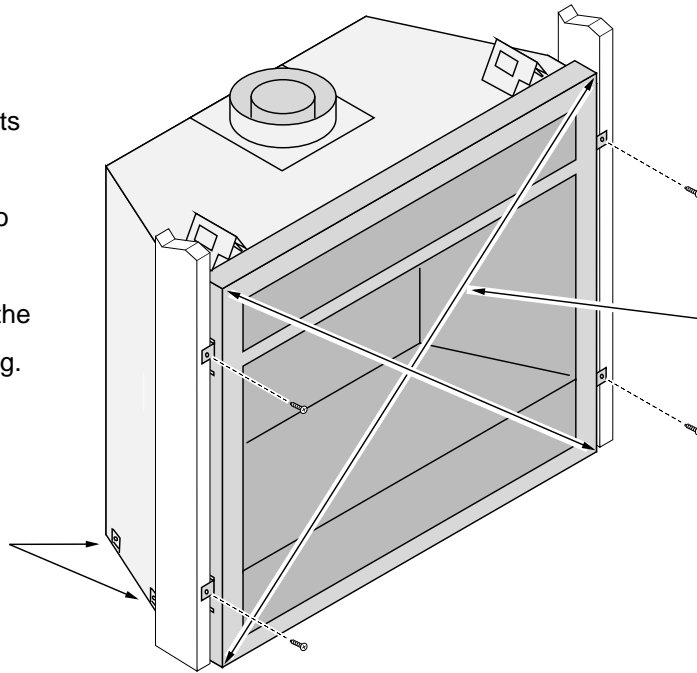
Minimum Framing Dimensions - Top Vent Configuration



Nailing Brackets

There are four nailing brackets on the front of the fireplace. Follow the directions below to prepare the nailing brackets. Once in place, nail or screw the nailing brackets to the framing.

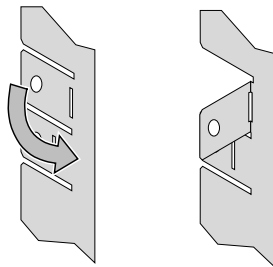
NOTE: Additional nailing brackets are provided along the base of the fireplace. Use these brackets if not using the front brackets.



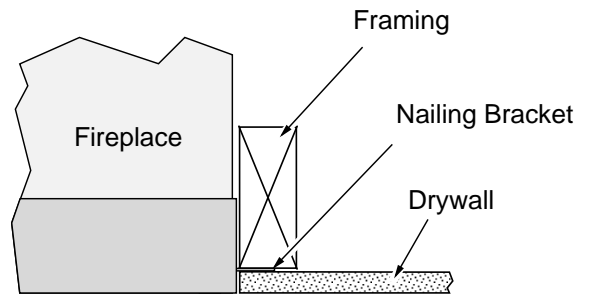
WARNING: Make sure the fireplace is square and plumb when placed in the framing. Measured corner-to-corner, the fireplace should be square (approx. 47-1/8" for each dimension). Use shims to insure the fireplace is square.

1/2" Drywall

For installations using 1/2" facing fold the larger tab out 90° (use a screwdriver if necessary).

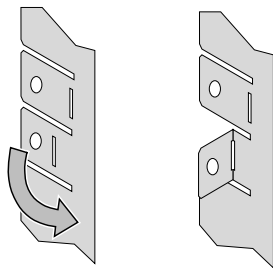


TOP VIEW

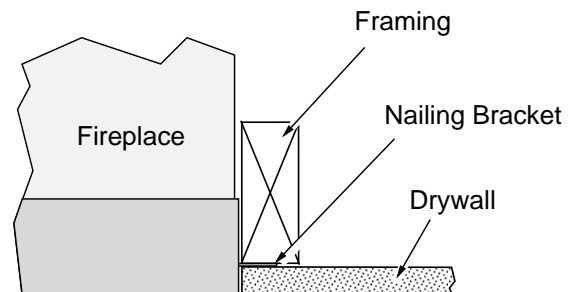


5/8" Drywall

For installations using 5/8" drywall fold the shorter tab out 90° (use a screwdriver if necessary).

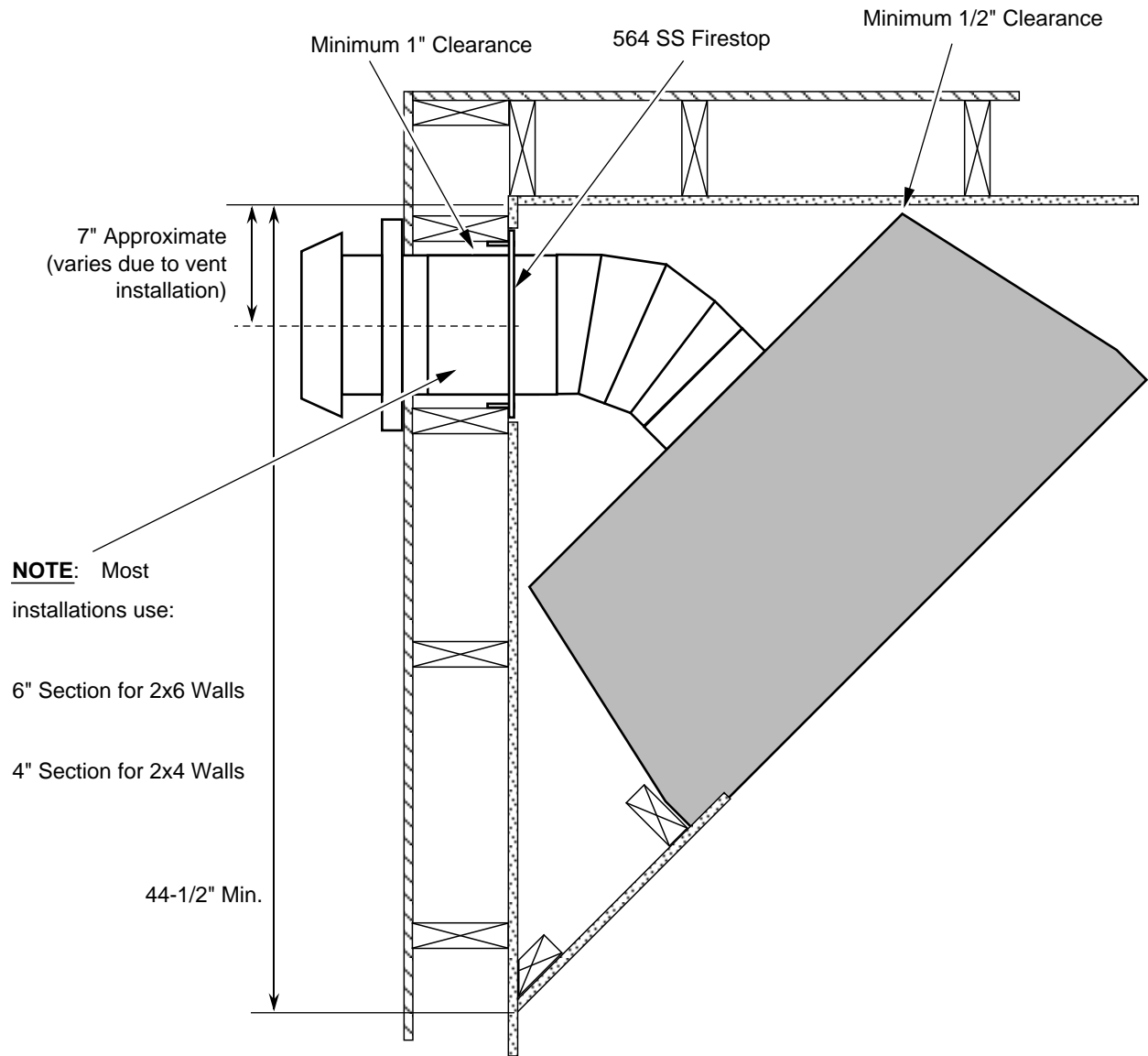


TOP VIEW



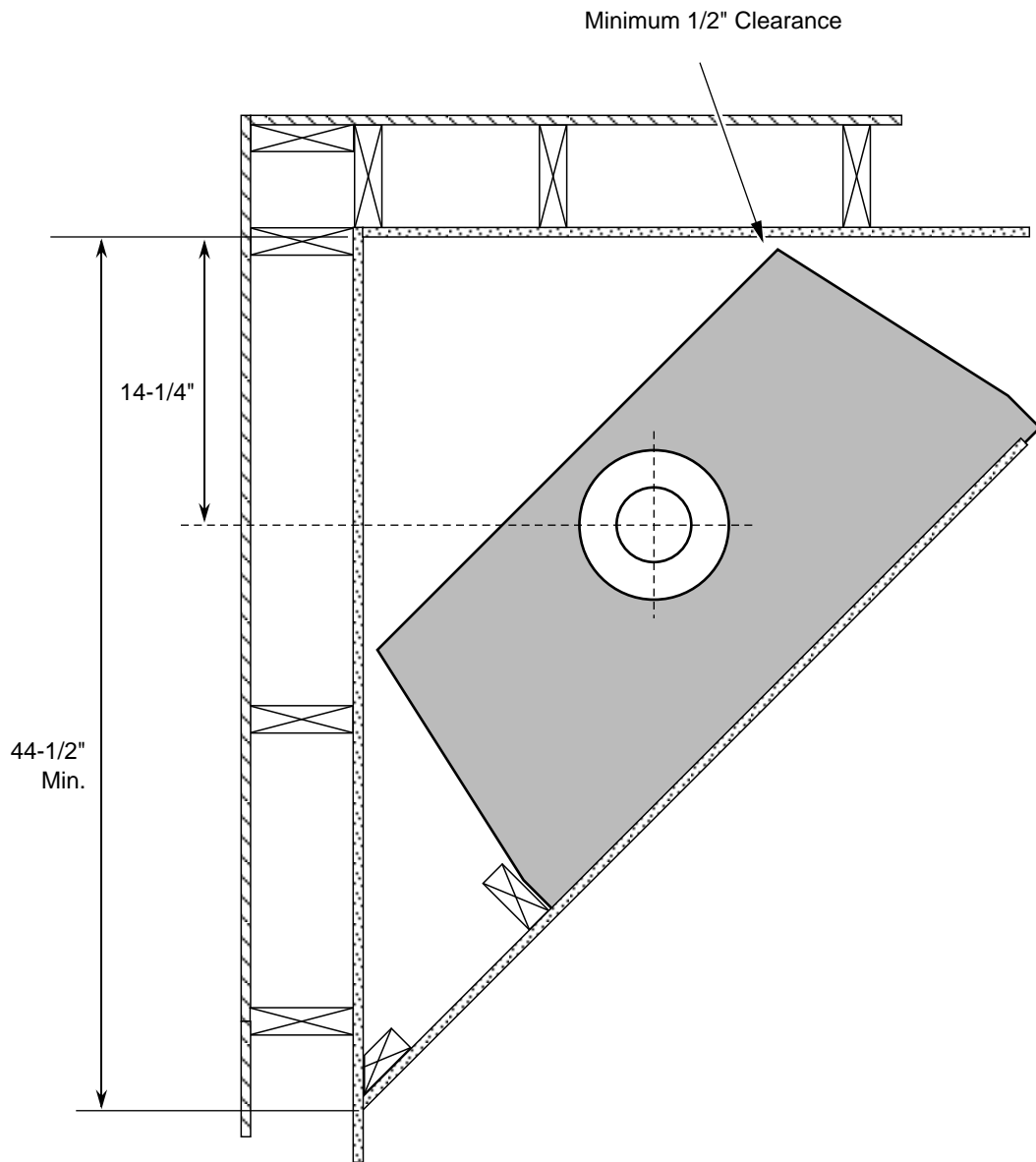
Corner Installations - Rear Vent Configuration

A typical 45° installation uses the framing dimensions shown in the illustration below (NOTE: all clearances still apply).



Corner Installations - Top Vent Configuration

A typical 45° installation uses the framing dimensions shown in the illustration below (NOTE: all clearances still apply).



Gas Line Requirements

MASSACHUSETTS INSTALLATIONS - **WARNING:**

THIS PRODUCT MUST BE INSTALLED BY A LICENSED PLUMBER OR GAS FITTER WHEN INSTALLED WITHIN THE COMMONWEALTH OF MASSACHUSETTS.

OTHER MASSACHUSETTS CODE REQUIREMENTS:

- Flexible connector must not be longer than 36 inches.
- Shutoff valve must be a "T" handle gas cock.
- Only direct vent sealed combustion products are approved for bedrooms or bathrooms.
- Fireplace dampers must be removed or welded in the open position prior to the installation of a fireplace insert or gas log.
- A carbon monoxide (CO) detector is required in the same room as the appliance.
- The gas line must be installed in accordance with all local codes, if any; if not, follow ANSI 223.1 and the requirements listed below.
- The fireplace and gas control valve must be disconnected from the gas supply piping during any pressure testing of that system at test pressures in excess of 1/2 psig. For pressures under 1/2 psig, isolate the gas supply piping by closing the manual shutoff valve.
- Leak test all gas line joints and the gas control valve prior to and after starting the fireplace.

Fuel

- This fireplace is designed either for natural gas or for propane (but not for both). Check the sticker on the top of the gas control valve to make sure the correct fuel is used (see illustration on page 4).

Gas Line Connection

- Installation must be performed by a qualified installer, service agency or the gas supplier (In Massachusetts a licensed plumber/gasfitter).

Gas Inlet Pressure

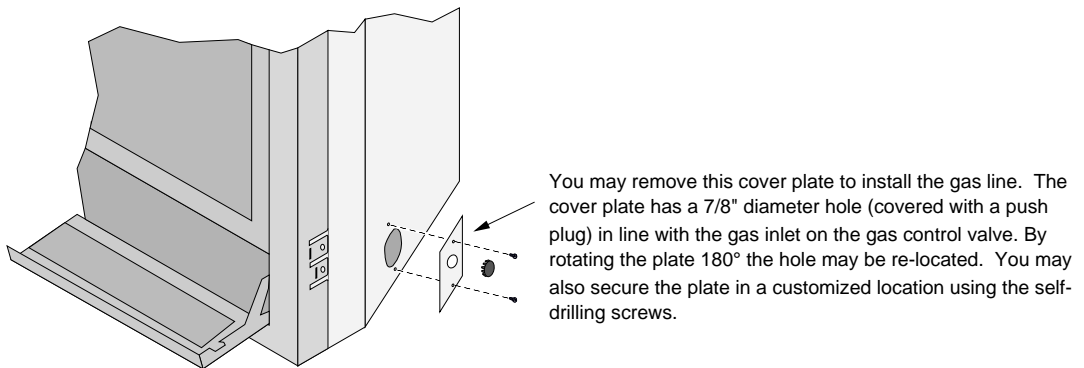
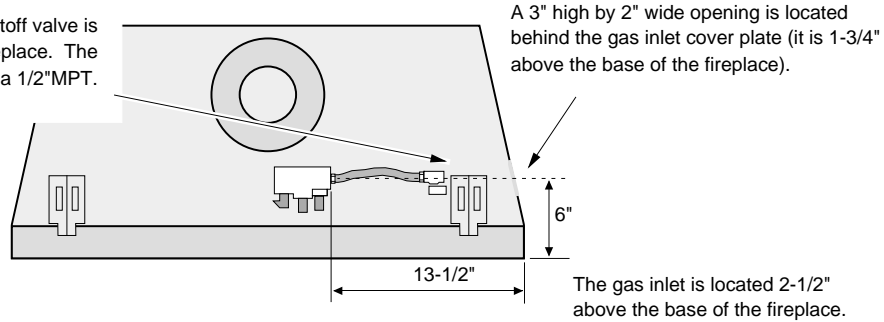
	Standard Input Pressure
Natural Gas	7" W.C. (1.74 kPA)
Propane	13" W.C. (2.73 kPA)

- If the pressure is not sufficient, make sure the piping used is large enough, the supply regulator is adequately adjusted, and the total gas load for the residence does not exceed the amount supplied.
- The supply regulator (the regulator that attaches directly to the residence inlet or to the propane tank) should supply gas at the suggested input pressure listed above. Contact the local gas supplier if the regulator is at an improper pressure.

Gas Line Location

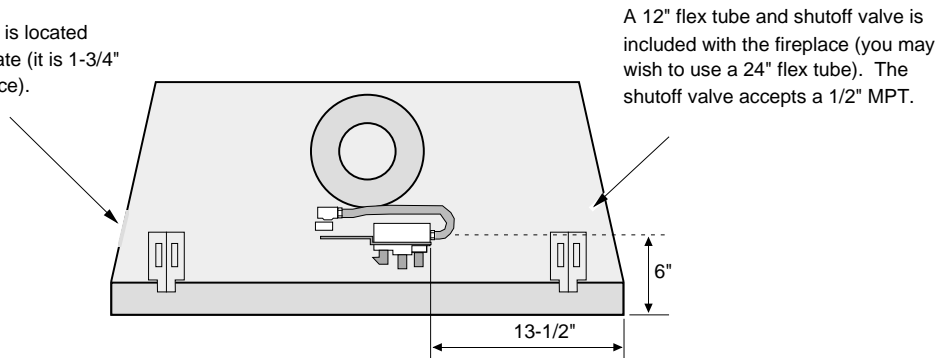
Right Side Gas Inlet (preferred)

A 12" flex tube and shutoff valve is included with the fireplace. The shutoff valve accepts a 1/2" MPT.

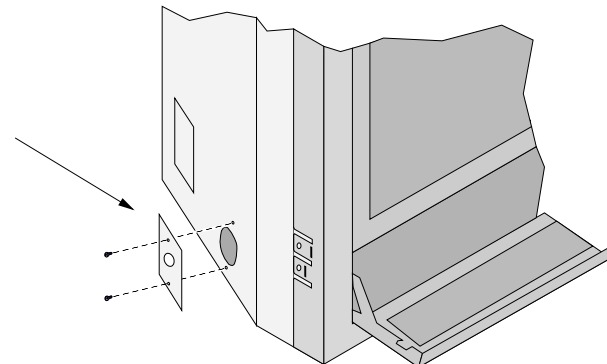


Left Side Gas Inlet

A 3" high by 2" wide opening is located behind the gas inlet cover plate (it is 1-3/4" above the base of the fireplace).



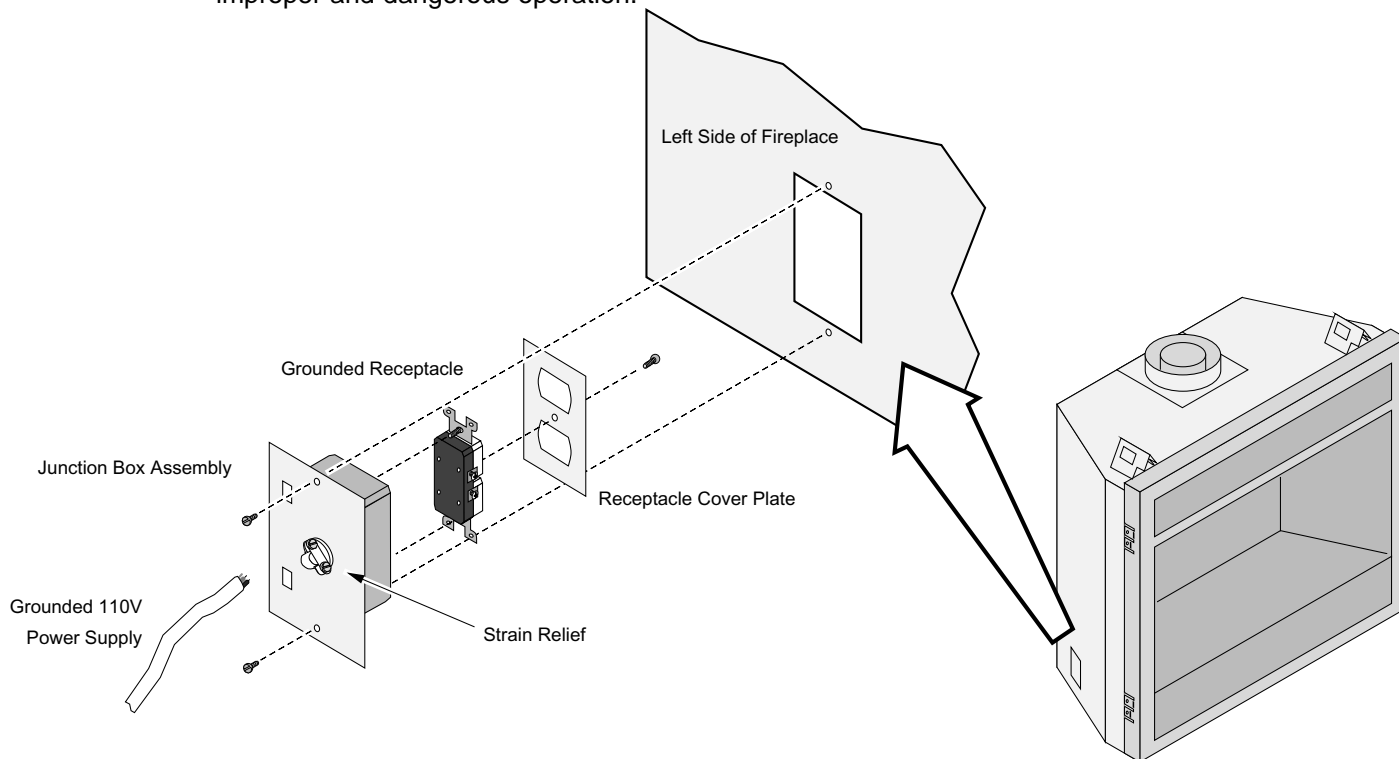
You may remove this cover plate to install the gas line. The cover plate has a 7/8" diameter hole (covered with a push plug). By rotating the plate 180° the hole may be re-located. You may also secure the plate in a customized location using the self-drilling screws.



Electrical Connection (required)

- The electrical line to the grounded receptacle inside the fireplace must be installed by a qualified installer and must meet all local codes.
- Make sure the household breaker is shut off prior to working on any electrical lines.
- The appliance, when installed, must be electrically grounded in accordance with local codes or, in the absence of local codes, with the National Electrical Code, ANSI/NFPA 70, or the Canadian Electrical Code, CSA C22.1.
- The electrical line must be a min. 14 gauge, and supply 120 Volts at 60 Hz (2 Amps)

Caution: Label all wires prior to disconnection when servicing controls. Wiring errors can cause improper and dangerous operation.



Wall Switch or Thermostat Installation

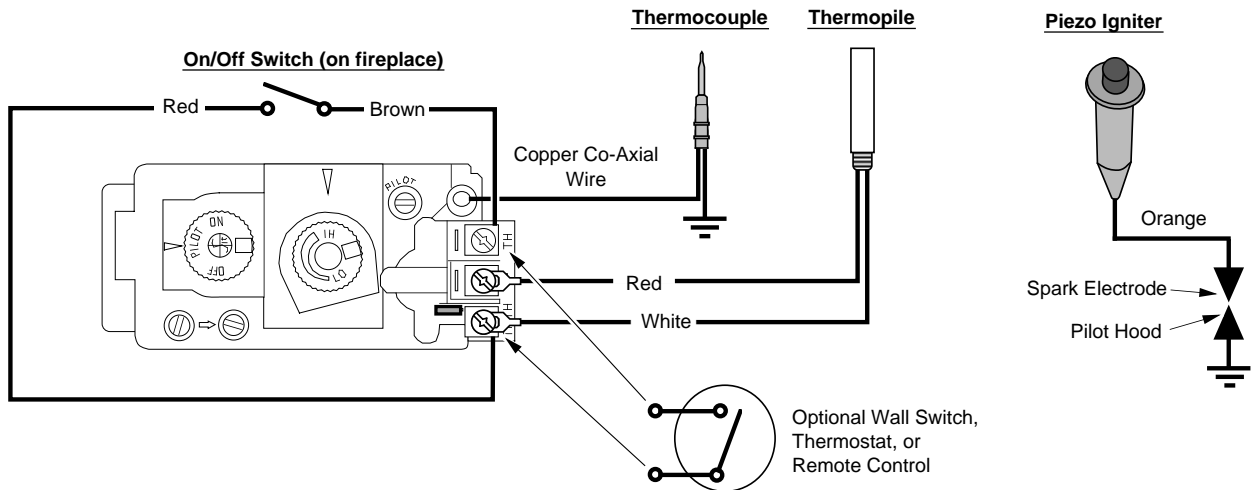
Wiring Diagram (Millivolt System)



Do not connect 110-120 VAC to the gas control valve or wiring system of this fireplace. The switch must be installed by a qualified installer.

The included wall switch may be installed following the directions below. An optional thermostat may also be installed. It is attached to the gas control valve in the same manner.

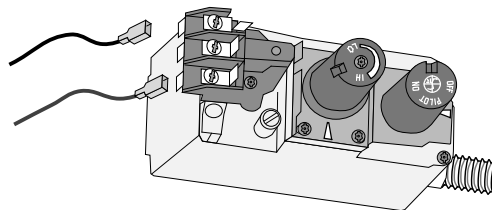
Caution: Label all wires prior to disconnection when servicing controls. Wiring errors can cause improper and dangerous operation.



Wall Switch Installation

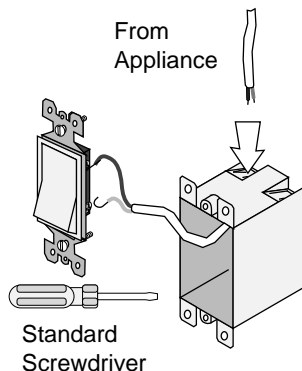
1. Attach the included wire to the gas control valve.

Attach the two wires to the top and bottom posts on the gas control valve (orientation does not matter).

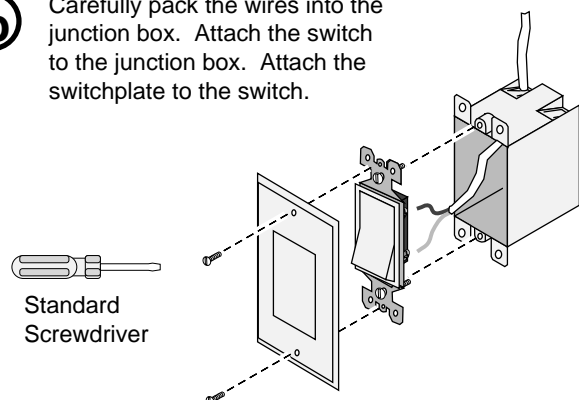


2. Determine a location for the wall switch (the wire is a maximum 25' long). Route the wire through the gas inlet hole (either side) to the junction box and attach following the directions below. Set the on/off switch on the appliance to "OFF" to control the appliance with the wall switch.

- a** Insert the wire through the back of the mounted junction box (your junction box may look different). Expose 1/2" of each wire. Secure the wires to the posts on the side of the on/off switch (orientation does not matter).



- b** Carefully pack the wires into the junction box. Attach the switch to the junction box. Attach the switchplate to the switch.



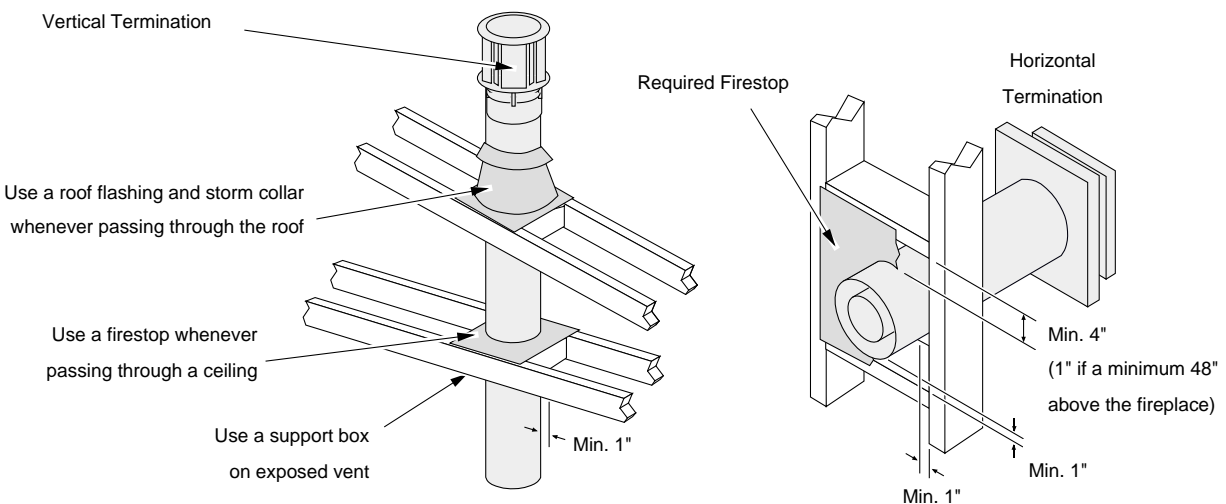
Vent Requirements

- The gas appliance and vent system must be vented directly to the outside of the building, and never be attached to a chimney serving a separate solid fuel or gas-burning appliance. Each direct vent gas appliance must use its own separate vent system.
- In addition to the requirements listed here, follow the requirements provided with the vent.
- A firestop is required whenever the vent penetrates a wall, floor, or ceiling (passes through framing members). Horizontal vent less than 48" above the fireplace must use the Travis Firestop (sku 250-00747 - it incorporates a 4" clearance above, 1" clearance below and to the sides of the vent). Other penetrations only require a 1" clearance and may use a standard firestop (make sure the required 1" clearance is met).
- Always use the high-wind termination (if available from the vent manufacturer).

Vent Clearances

- The vent must maintain the required clearance to combustibles to prevent a fire. Do not fill air spaces with insulation.

	Before 48" Rise	After 48" Rise
Sides	1"	1"
Above	4"	1"
Below Horizontal or 45° Section	1"	1"

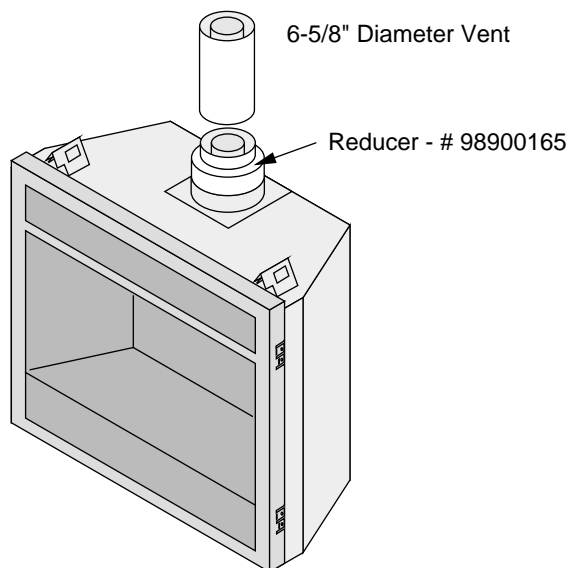


Altitude Considerations

- This heater has been tested at altitudes ranging from sea level to 6,000 feet. In this testing we have found that the heater, with its standard orifice, burns correctly with just an air shutter adjustment.
- Failure to adjust the air shutter properly may lead to improper combustion which can create a safety hazard. Consult your dealer or installer if you suspect an improperly adjusted air shutter.

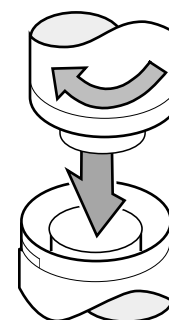
Approved Vent

- Rear vent configurations use 8" diameter Simpson Dura-Vent Model GS vent.
- Top vent configurations use 8" or 6-5/8" diameter Simpson Dura-Vent Model GS vent. If using 6-5/8" diameter vent, attach the 8" to 6-5/8" reducer (Travis part # 98900165) to the fireplace.
NOTE: When using 6-5/8" diameter vent, make sure to accommodate the 4" clearance above the vent for the first 48" of rise (see vent clearances on page 22). Standard firestops do not include this clearance.
- Installation instructions for Simpson Dura-Vent may be found at www.duravent.com



Vent Installation

- Slide the vent sections together and turn 1/4 turn until the sections lock in place.
- Screws are not required to secure the vent. However, three screws may be used to secure vent sections together if desired.
- High temperature sealant is recommended at the appliance starter section connection (use high-temperature silicone or Mill-Pac®).
- If disassembly is required, at time of re-assembly check to see if the vent creates a tight fit. If it does not, apply high temperature sealant to the joints of the affected sections.
- Horizontal sections require a 1/4" rise every 12" of travel
- Horizontal sections require non-combustible support every three feet (e.g.: plumbing tape)



Approved Vent Configurations

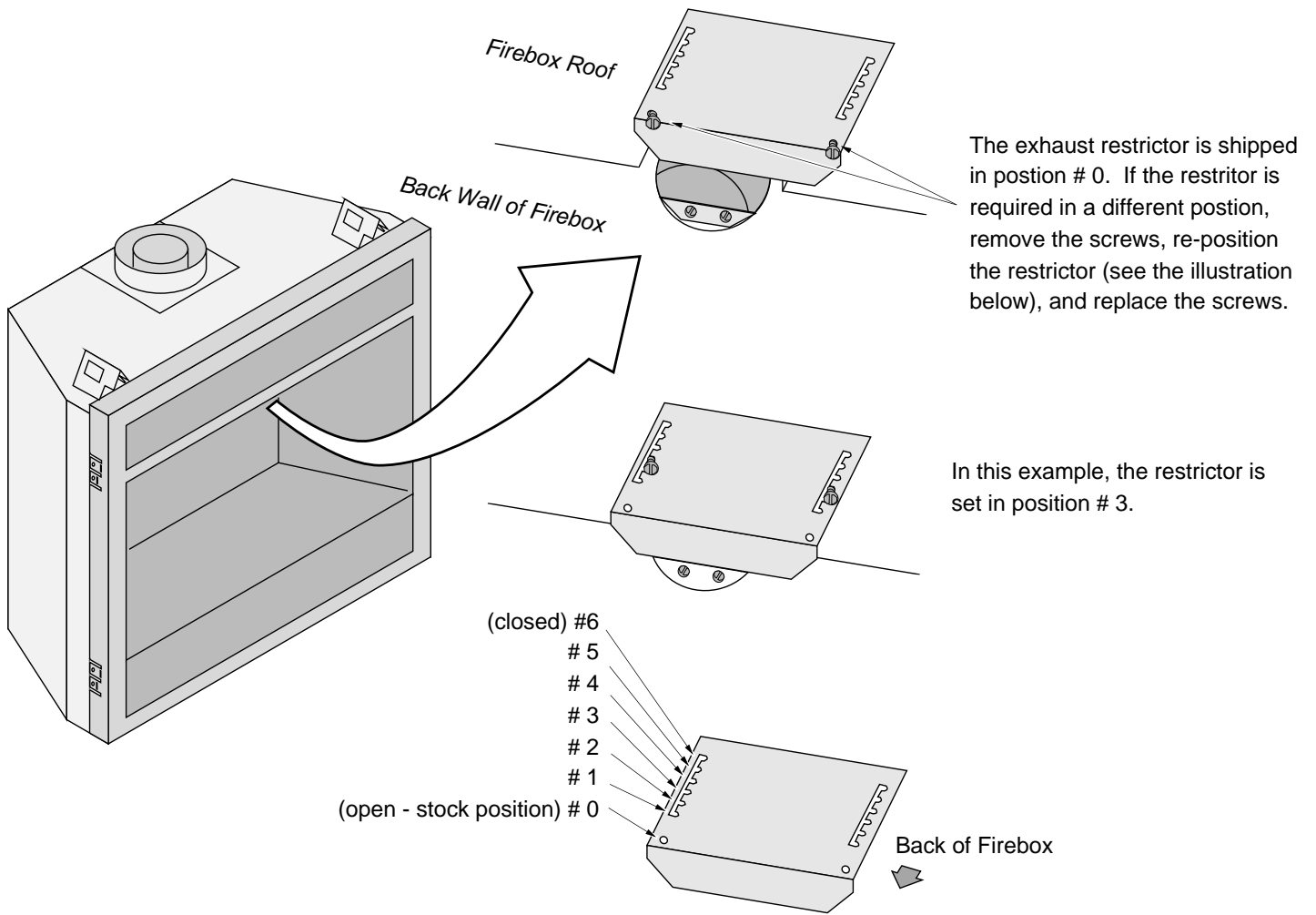
Restrictor Position

- Intake and exhaust restrictors are built into the appliance to adjust the flow rate of intake air and exhaust gases. Depending upon the vent configuration, you may be required to adjust the restrictor positions. The charts for acceptable vent configurations detail the correct vent restrictor positions.

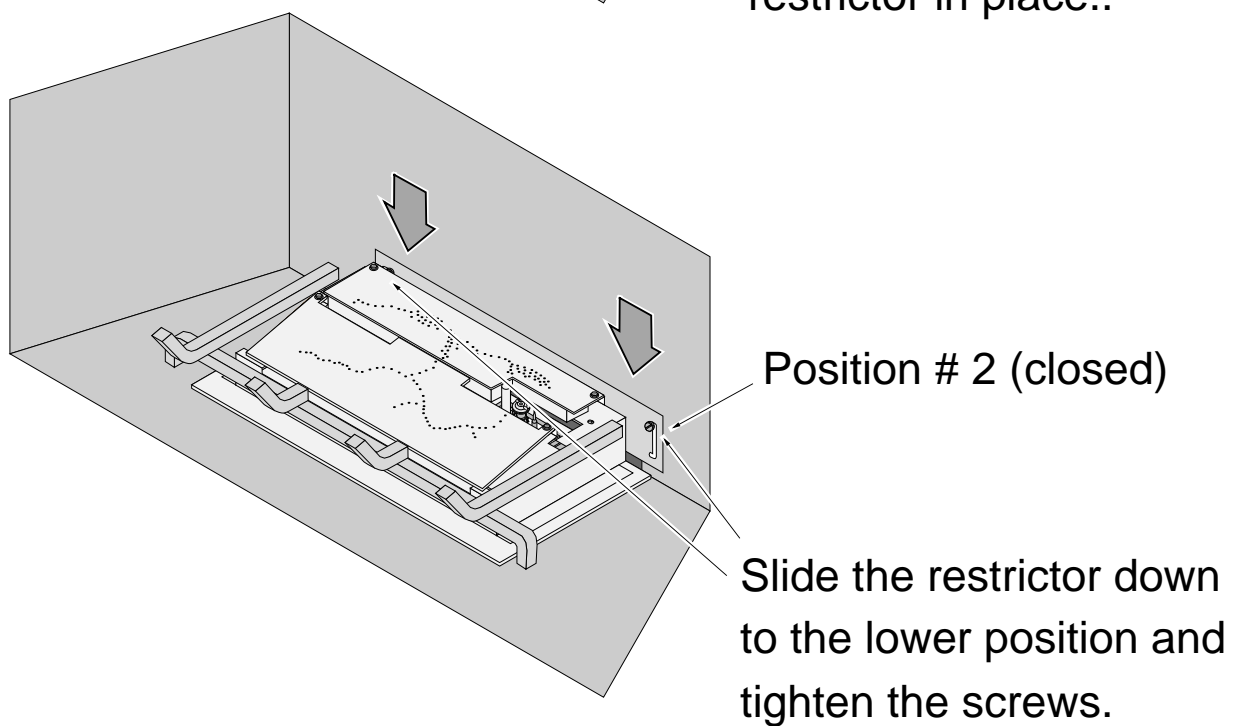
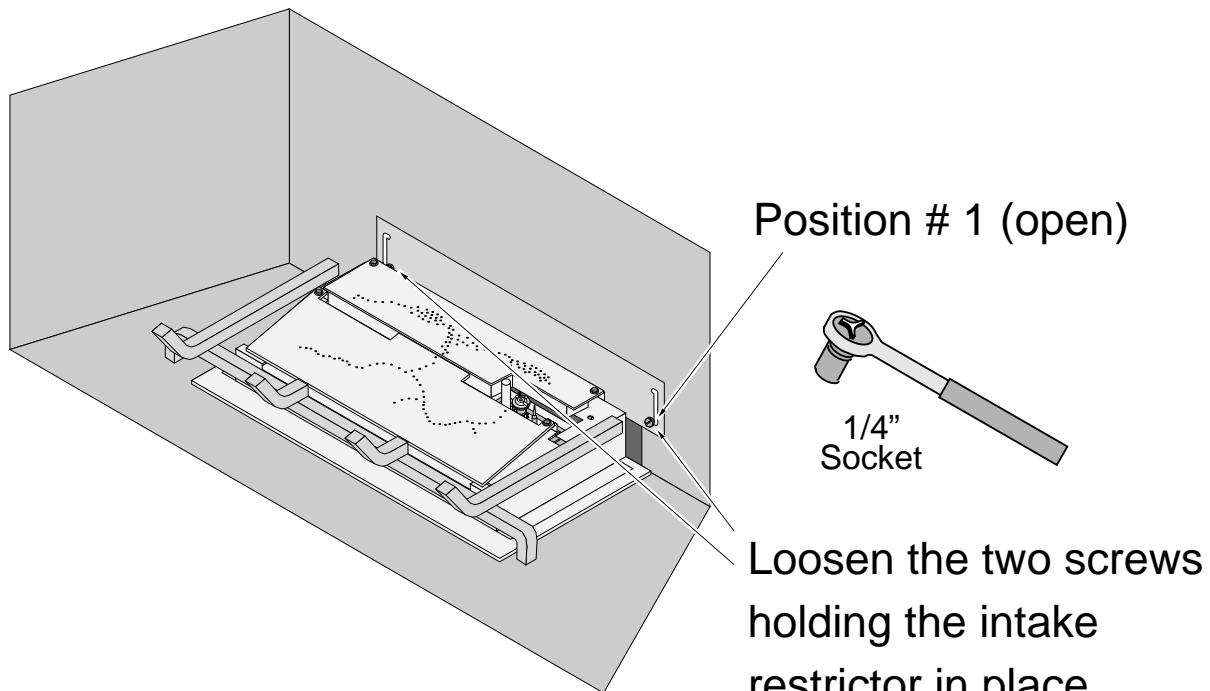
Exhaust Restrictor Adjustment



If the diffuser is required to be in position # 2, you may wish to adjust the diffuser while the exhaust restrictor is removed.

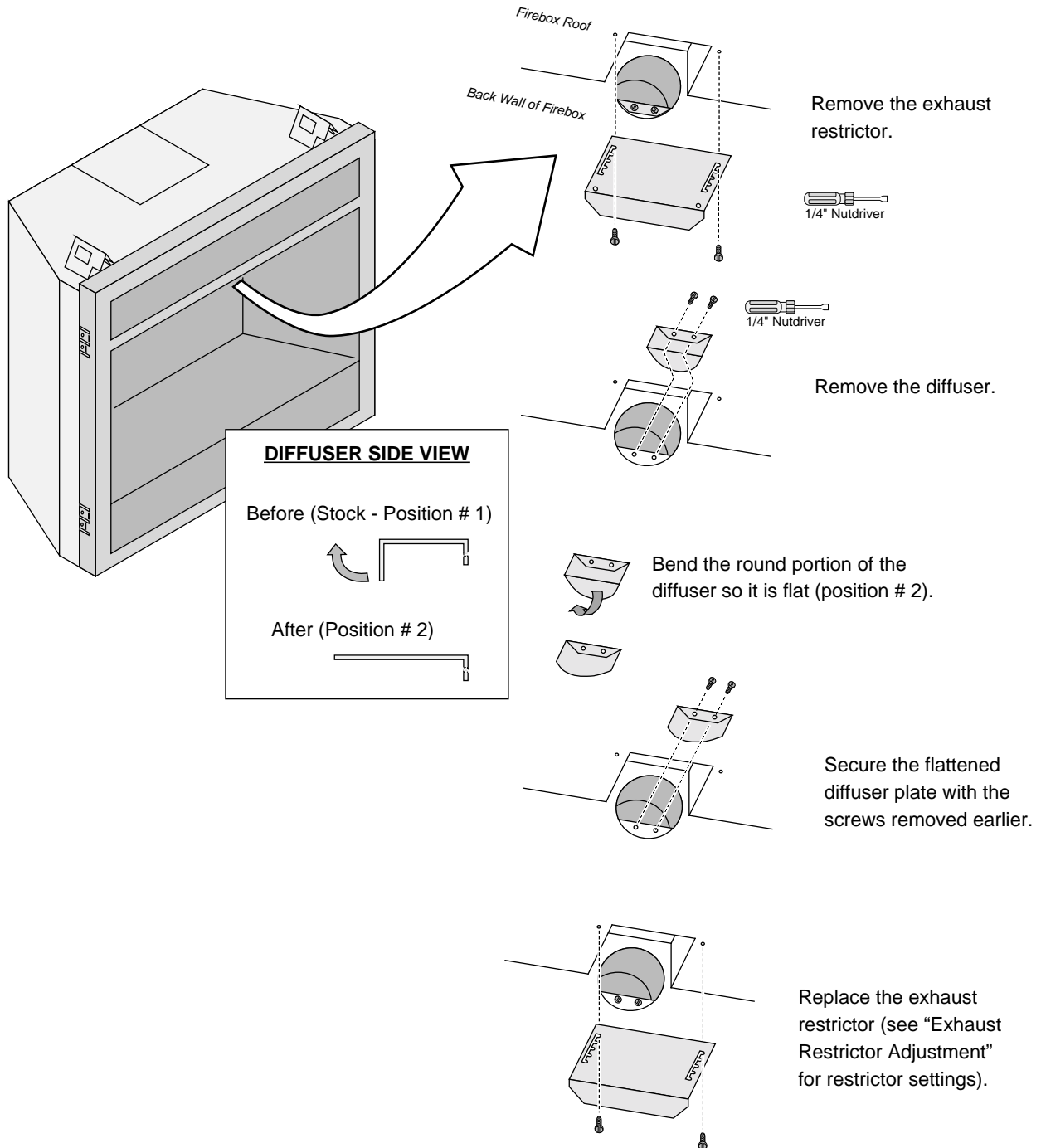


Intake Restrictor Adjustment



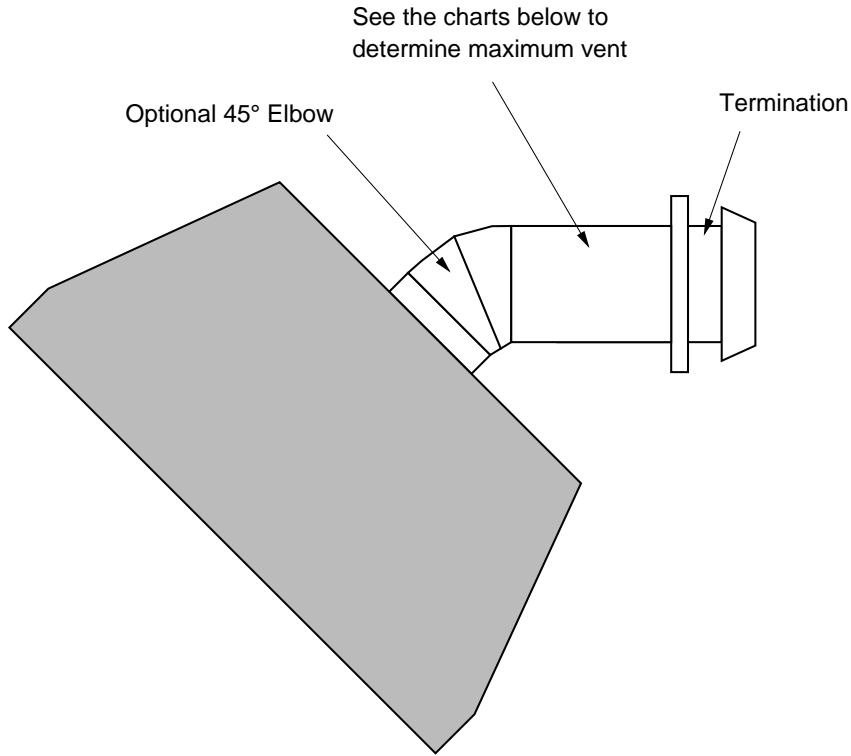
Diffuser Plate Adjustment

Certain vent configurations require the diffuser plate to be adjusted (refer to the approved vent configuration charts for details). Position # 1 is stock (bent). Position # 2 is flattened. See the directions below to change the diffuser to position #2.

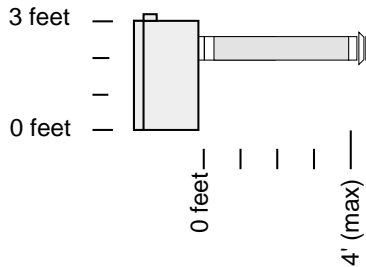


Rear Vent Configuration with Horizontal Termination (no vertical rise)

- The termination must fall within the shaded area shown in the chart. Use the indicated restrictor and diffuser positions.



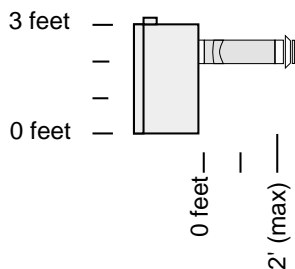
Vent with No 45° Elbow



- Exhaust Restrictor # 0 (stock)
- Intake Restrictor # 1 (stock)
- Diffuser Position # 1 (stock)

- Min. 4" Horizontal Section
- Max. 48" Horizontal Section(s)

Vent with 1 45° Elbow

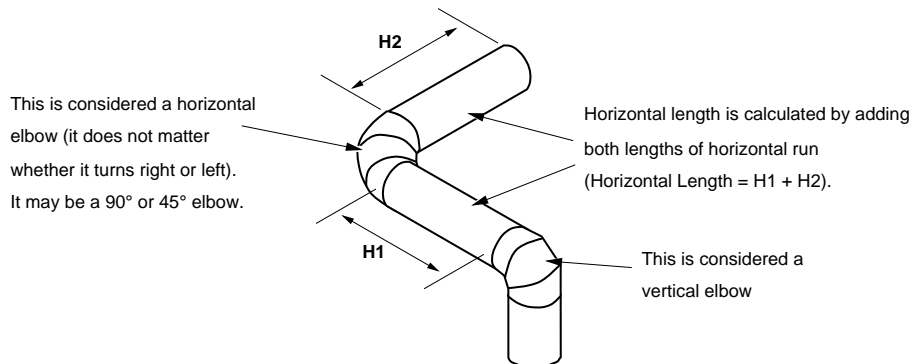
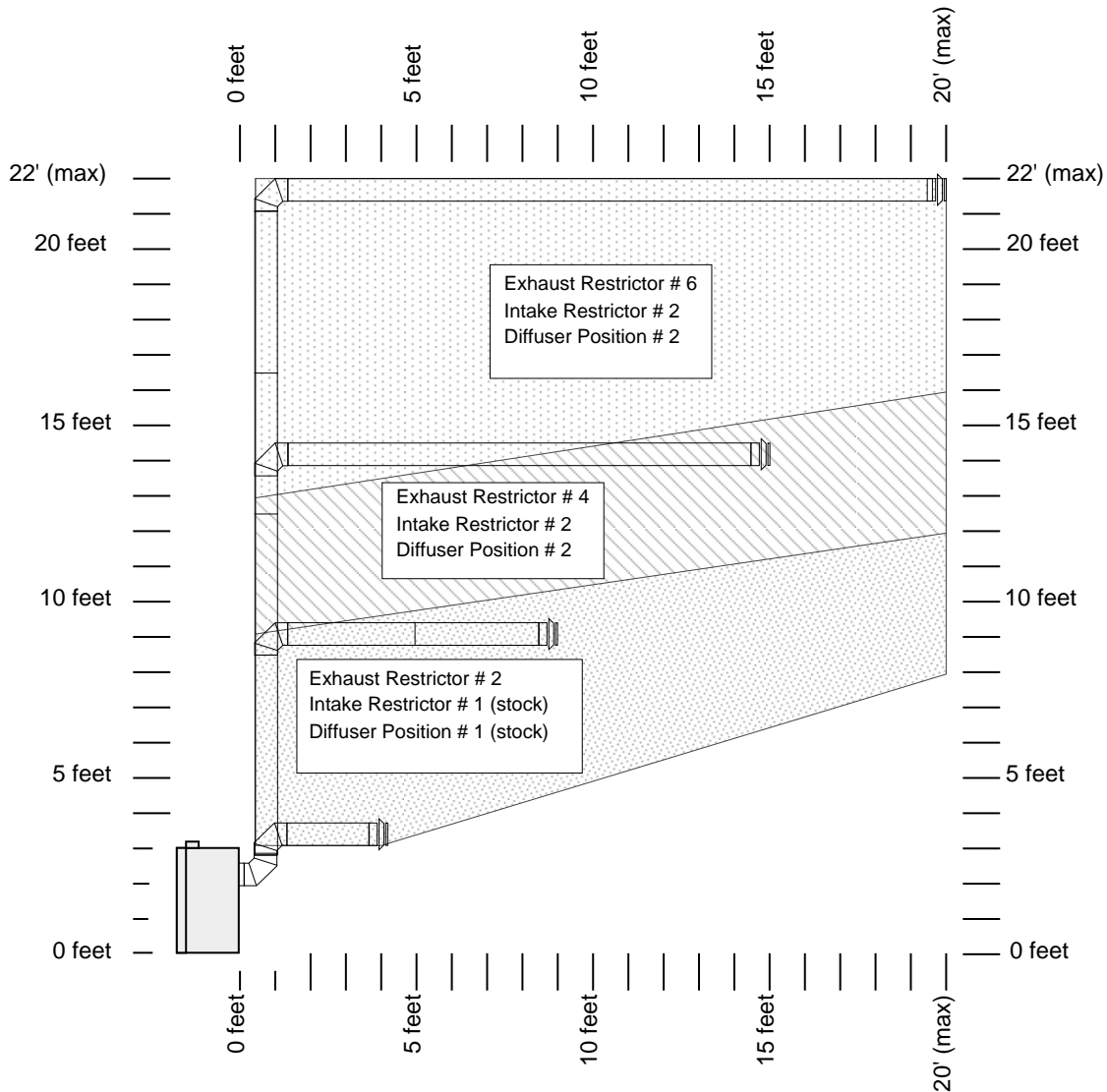


- Exhaust Restrictor # 0 (stock)
- Intake Restrictor # 1 (stock)
- Diffuser Position # 1 (stock)

- Min. 4" Horizontal Section
- Max. 24" Horizontal Section(s)

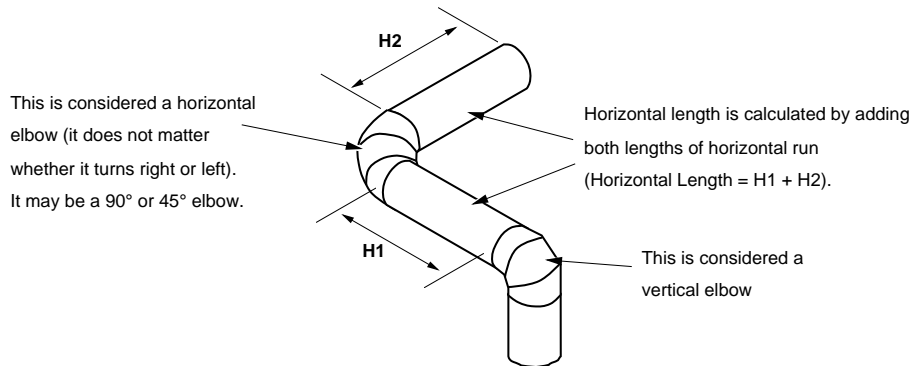
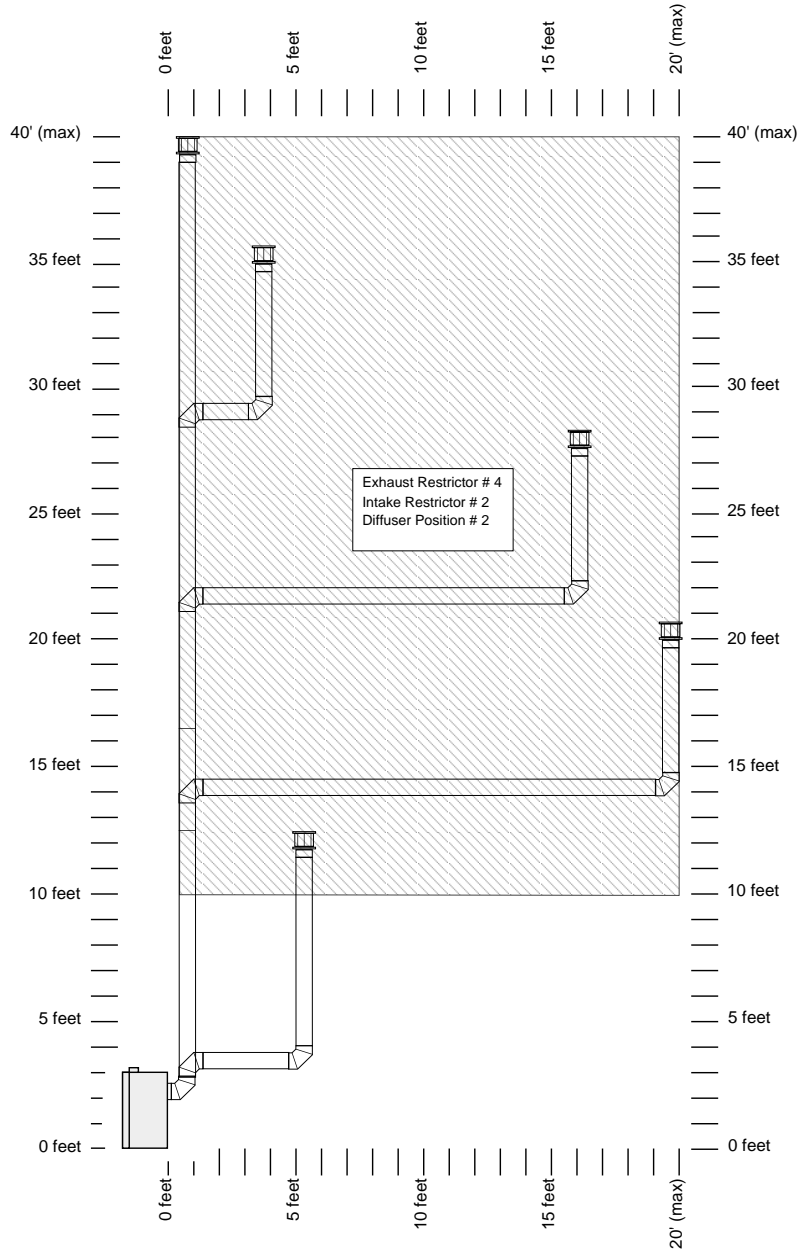
Rear Vent Configuration with Horizontal Termination (with vertical rise)

- The termination must fall within the shaded area shown in the chart. Use the indicated restrictor and diffuser positions.
- Up to four elbows (45° or 90°) may be used.
- Only one horizontal elbow may be used.



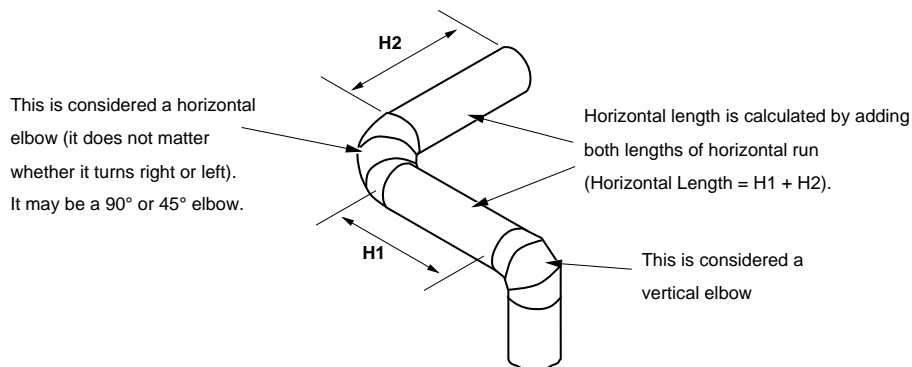
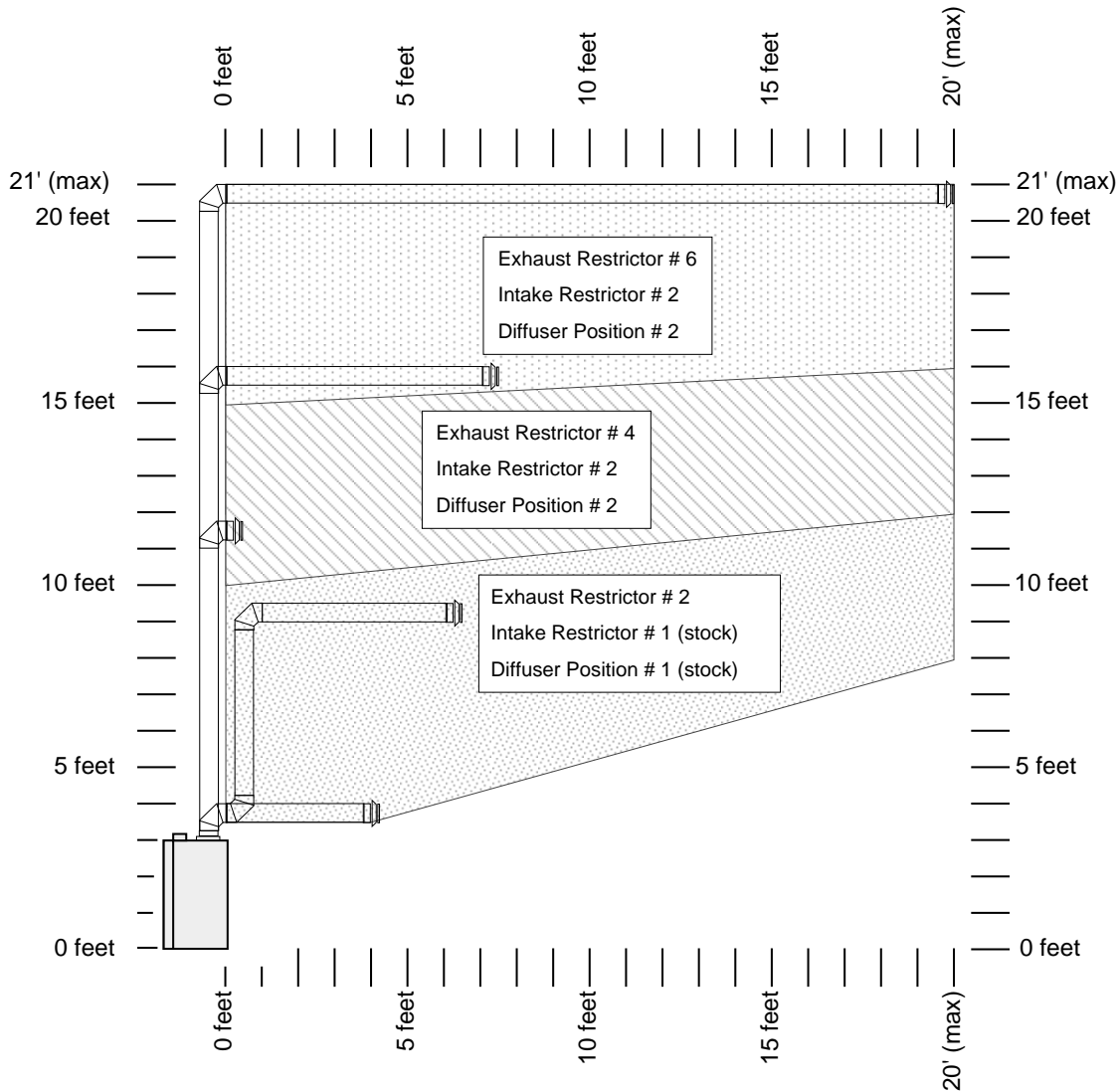
Rear Vent Configuration with Vertical Termination

- The termination must fall within the shaded area shown in the chart. Use the indicated restrictor and diffuser positions.
- Up to four elbows (45° or 90°) may be used.
- Only one horizontal elbow may be used.



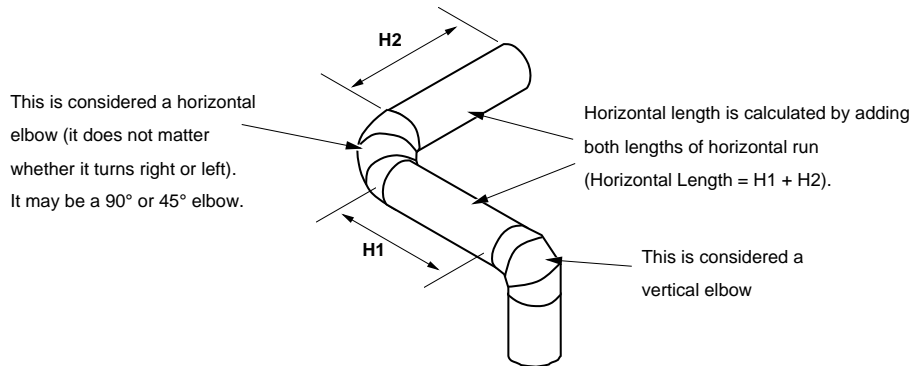
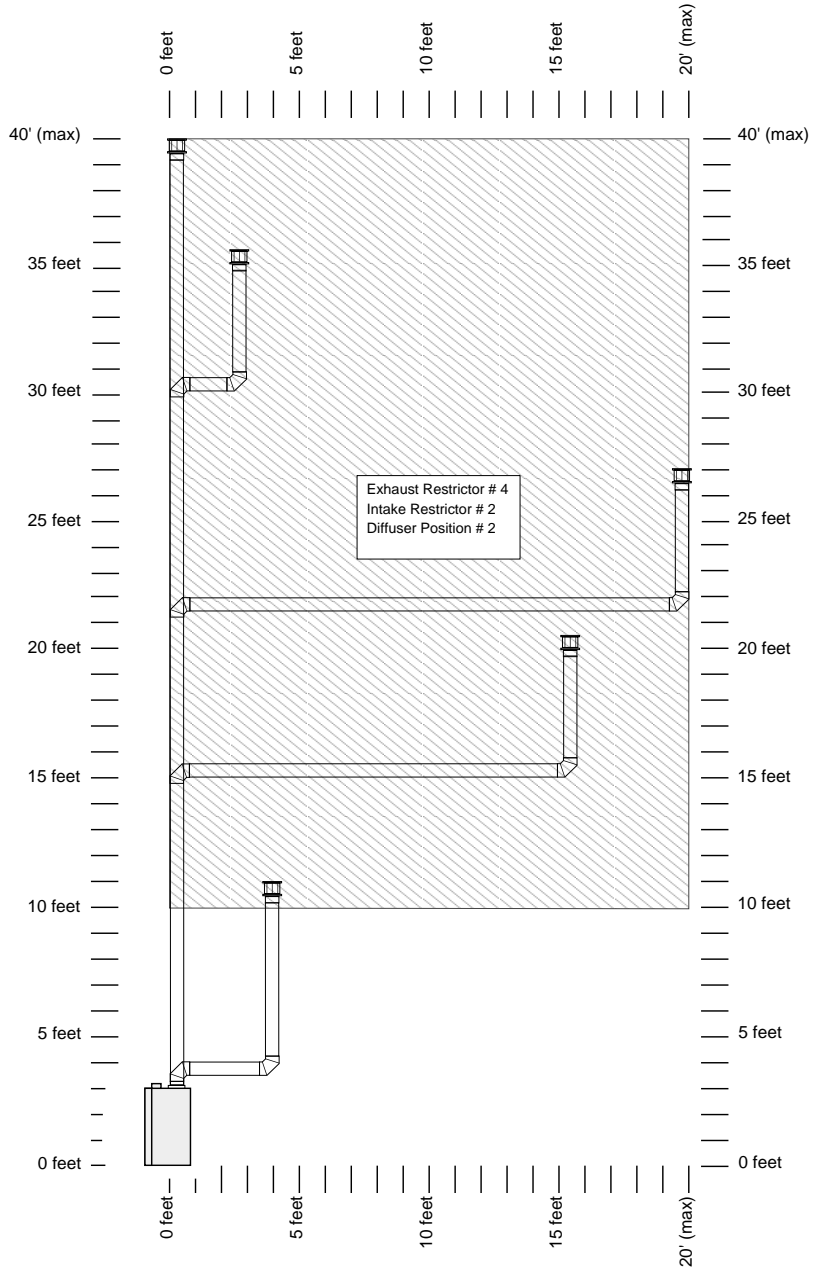
Top Vent Configuration with Horizontal Termination

- The termination must fall within the shaded area shown in the chart. Use the indicated restrictor and diffuser positions.
- Up to four elbows (45° or 90°) may be used.
- May use 8" or 6-5/8" diameter vent (see page for 22 details).
- Only one horizontal elbow may be used.



Top Vent Configuration with Vertical Termination

- The termination must fall within the shaded area shown in the chart. Use the indicated restrictor and diffuser positions.
- Up to four elbows (45° or 90°) may be used.
- Only one horizontal elbow may be used.
- May use 8" or 6-5/8" diameter vent (see page for 22 details).



Termination Requirements

NOTE: Measure all clearances from the nearest edge of the exhaust hood.

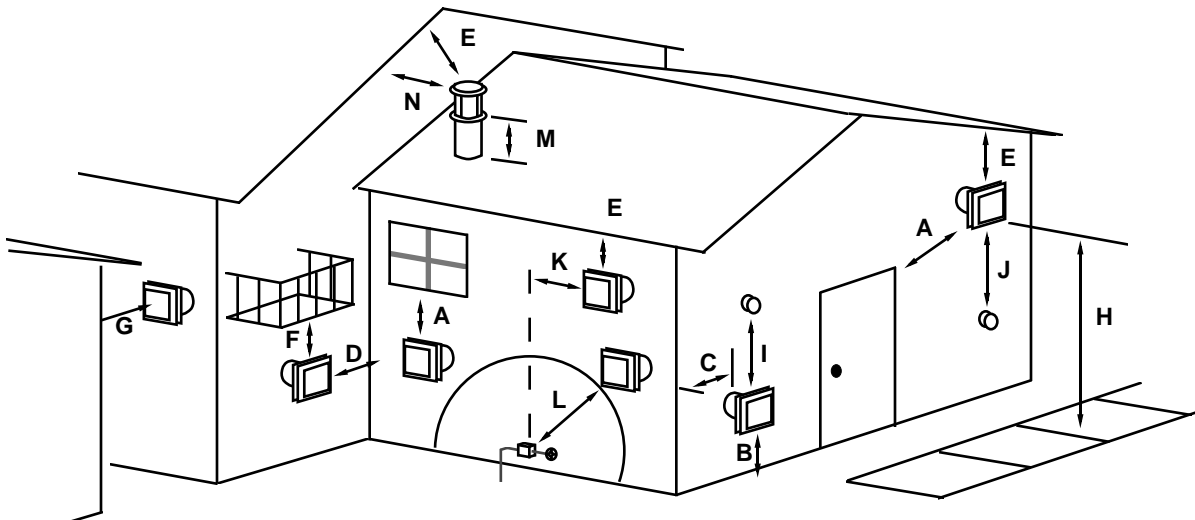
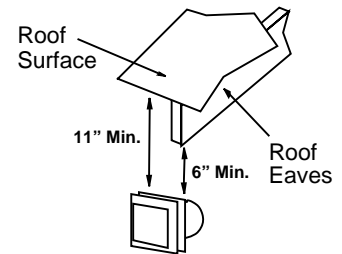
- A Minimum 9" clearance from any door or window
- B Minimum 12" above any grade, veranda, porch, deck or balcony
- C Minimum 0" from outside corner walls
- D Minimum 0" from inside corner walls
- E Minimum 11" clearance below unventilated soffits or roof surfaces

Minimum 18" clearance below ventilated soffits

Minimum 6" clearance below roof eaves

NOTE: Vinyl surfaces require 24"

- F Minimum 18" clearance below a veranda, porch, deck or balcony (must have two open sides)
- G Minimum 48" clearance from any adjacent building
- H Minimum 84" clearance above any grade when adjacent to public walkways or driveways
NOTE: may not be used over a walkway or driveway shared by an adjacent building
- I Minimum 48" clearance from any mechanical air supply inlet
- J Minimum 36" clearance above and 48" below and to the sides of non-mechanical air supply inlet
- K Minimum 36" from the area above the meter/regulator (vent outlet)
- L Minimum 36" from the meter/regulator (vent outlet)
- M Minimum 24" above the roof line (for vertical terminations)
- N Minimum 24" horizontal clearance to any surface (such as an exterior wall) – for vertical terminations

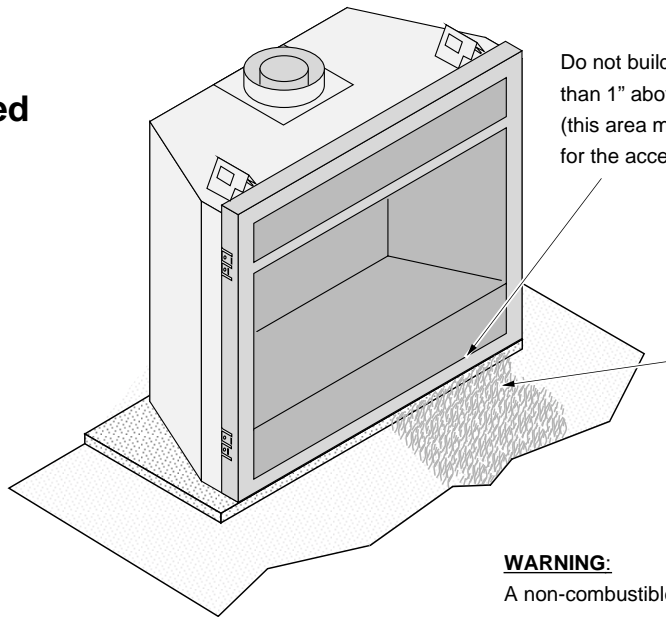


NOTE: Measure clearances to the nearest edge of the exhaust hood.

- Use the vinyl siding standoff (#950) when installing on an exterior with vinyl siding.
- Vent termination must not be located where it will become plugged by snow or other material.
- Venting termination shall not be recessed into a wall or siding.
- These clearances meet UMC-1994 code standards.
- These clearances meet UMC-1994 code standards.

Hearth Requirements

Floor Mounted Fireplaces



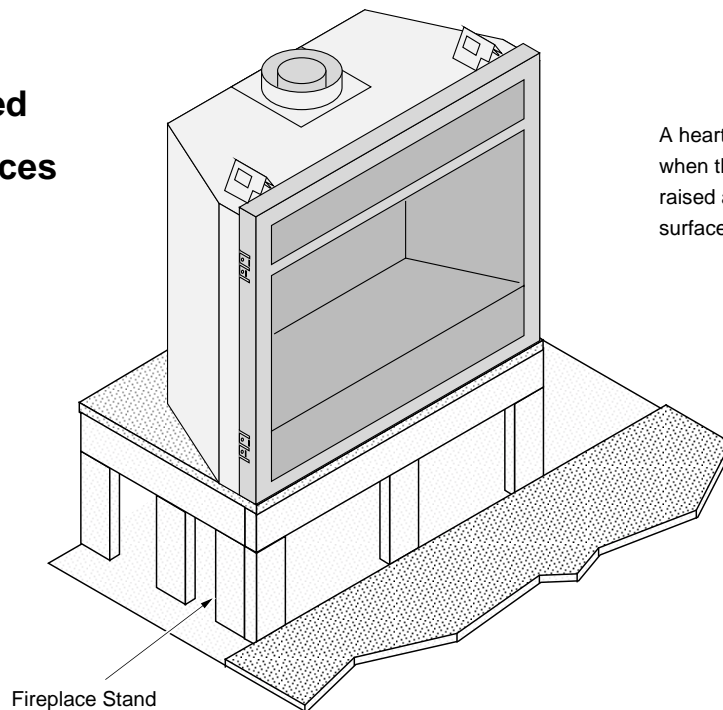
Do not build a hearth more than 1" above the baseplate (this area must remain clear for the access door).

If installed near carpet or other combustible flooring, the fireplace must be raised so the base of the unit is above the carpet surface or flooring material.

WARNING:

A non-combustible hearth is not required. However, if the heater is installed next to the floor, we recommend a hearth to protect the flooring surface from discoloration or other negative impact from the heater.

Raised Fireplaces



A hearth is not required when the fireplace is raised above the flooring surface.

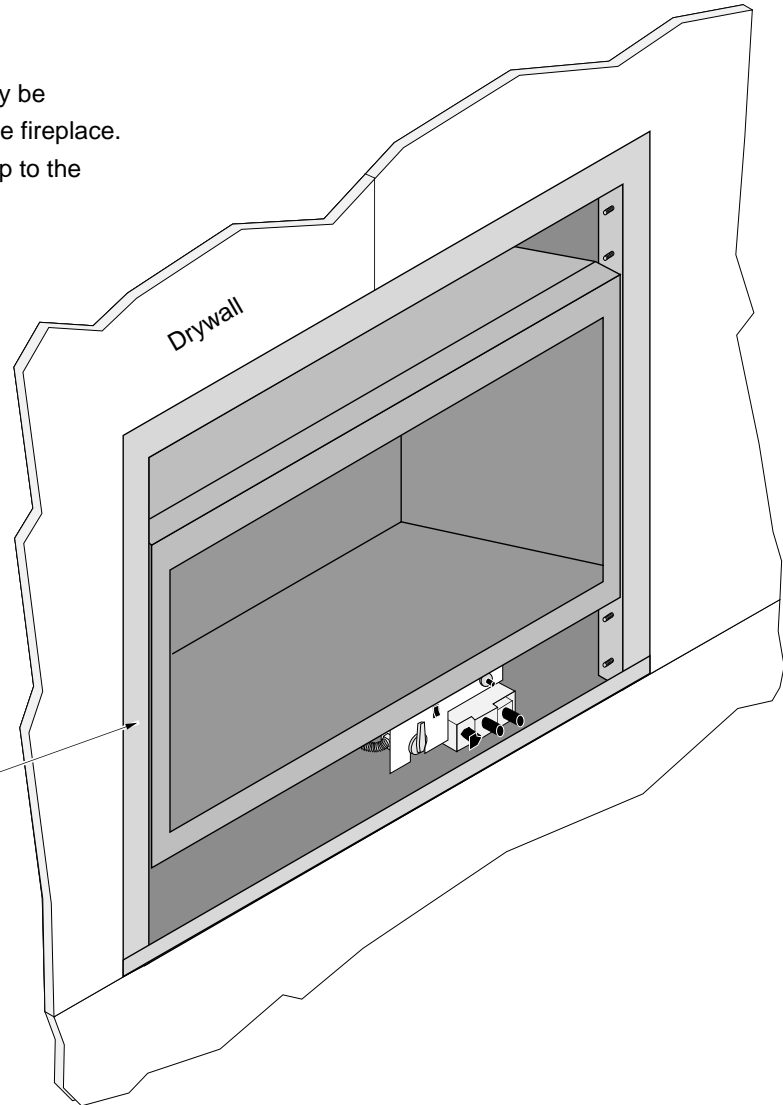
Facing Requirements

- This appliance is designed to allow for drywall (or other combustible facing) to contact the sides and top of the front of the fireplace.
- Tile or other non-combustible facing may be placed on the front of the fireplace (see "Facing Overview" on page 35 for further details).

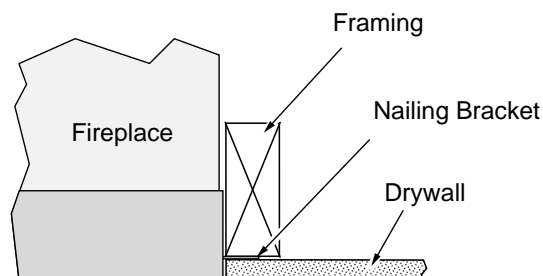
Drywall Installation

Drywall Installation Drywall may be installed up to the front edge of the fireplace. If the fireplace is raised, drywall up to the bottom edge as well.

Do not install drywall (or any other combustible) in front of the fireplace.



TOP VIEW



Facing Overview



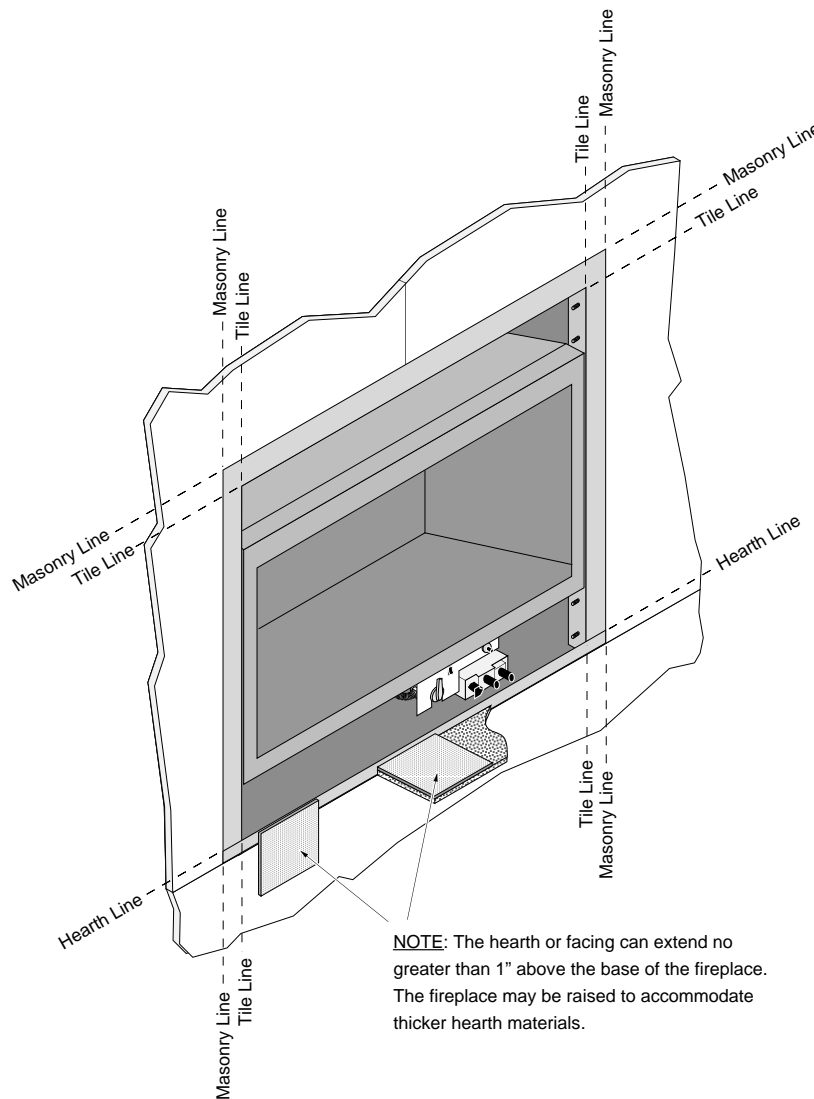
Upgrade faces are available for this fireplace and may influence facing installation. Consult with your Travis Dealer if you are using an upgrade face.

Optional non-combustible facing may be installed on the fireplace. Use the guidelines below to determine the location (also see the following pages for detailed diagrams).

Tile Line Any non-combustible facing under 1" thick (see "Thin Facing" on page 36).

Masonry Line Any non-combustible over 1" thick (see "Thick Facing" on page 38).

Hearth Line Non-combustible hearth/facing should be installed up to this location (1" above the base of the fireplace). The fireplace may be raised to accommodate thicker hearth materials.



NOTE: The hearth or facing can extend no greater than 1" above the base of the fireplace. The fireplace may be raised to accommodate thicker hearth materials.

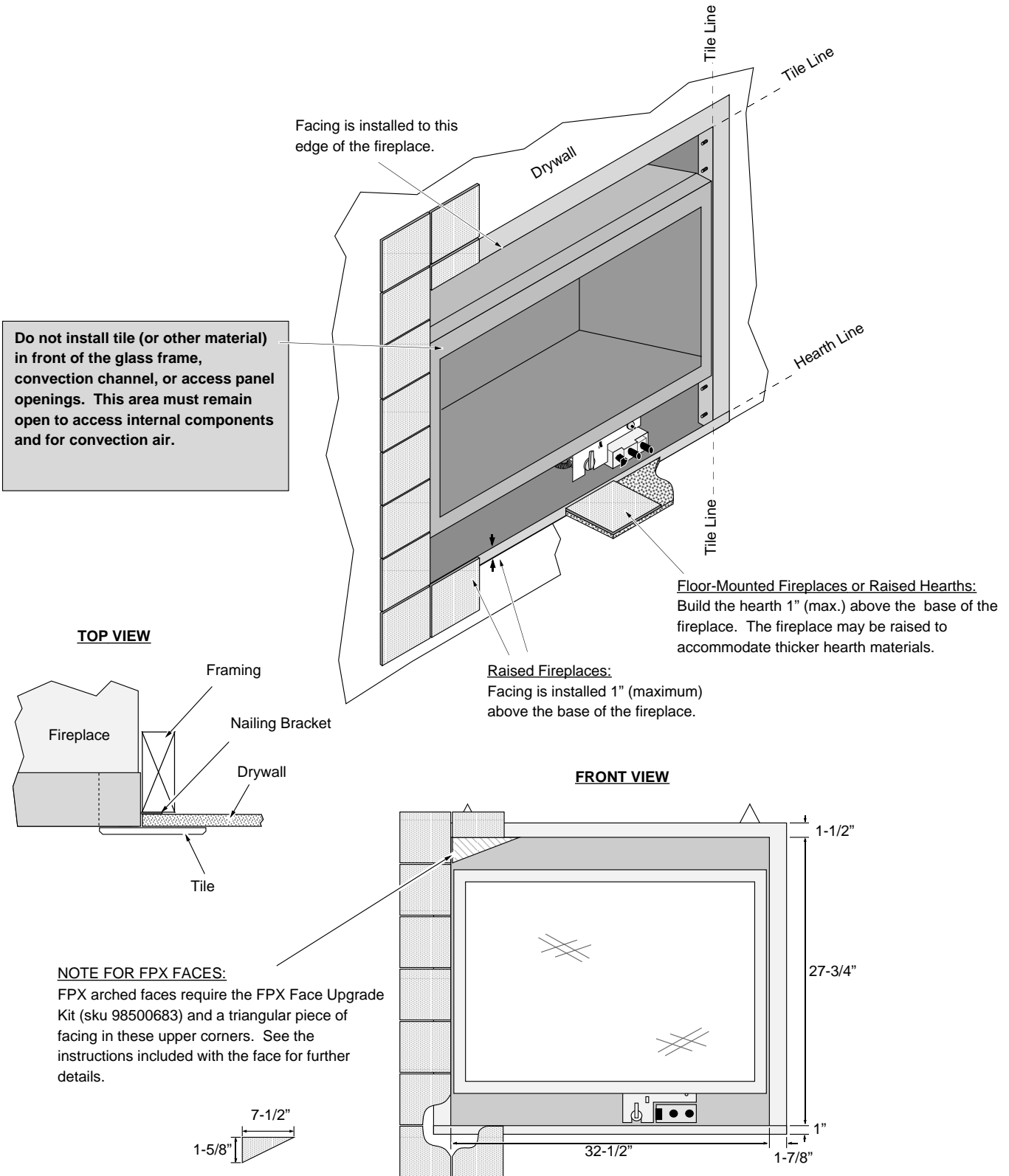
Optional Faceplates – Sizing Chart

Name	Height	Width	Notes
FPX Artisan, Classic, Fr Ctry	29"	36"	61" Radius – May fit over top of tile facing
Wilmington	29"	36"	May fit over top of tile facing
Victorian Lace	27-1/2"	32-3/8"	Optional facing will butte to edge of faceplate (tile line)
Bungalow, Tree of Life	27-1/2"	32-3/8"	Optional facing will butte to edge of faceplate (tile line)

Thin Facing Installation (tile, marble, or other non-combustible under 1" thick)

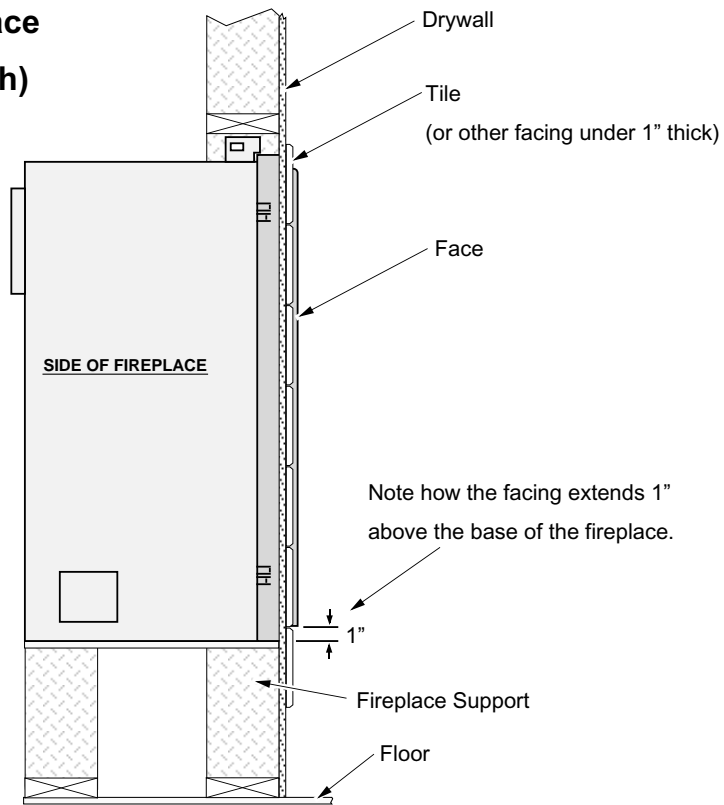


Upgrade faces are available for this fireplace and may influence facing installation. Consult with your Travis Dealer if you are using an upgrade face.

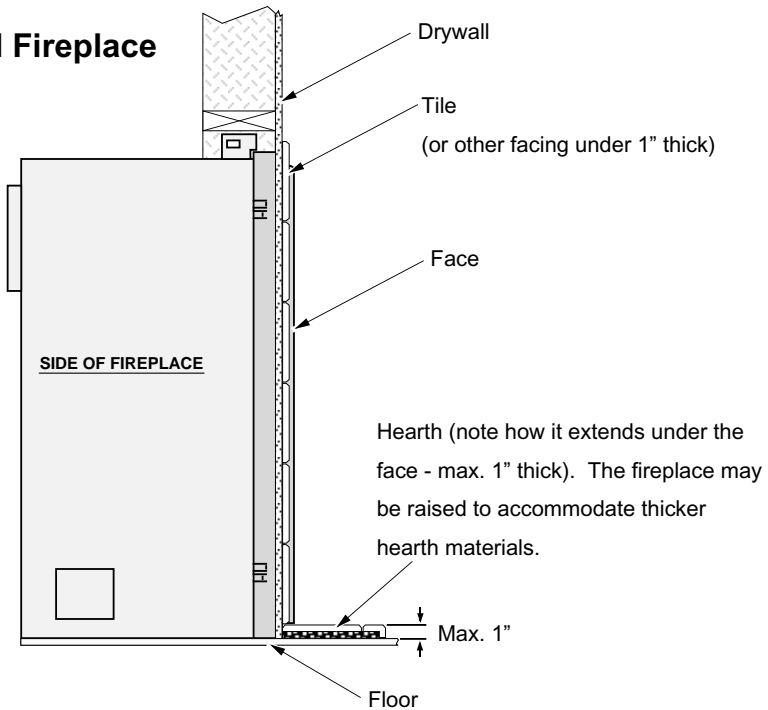


Thin Facing Installation (tile, marble, under 1" thick) - Side View

Raised Fireplace (with no Hearth)



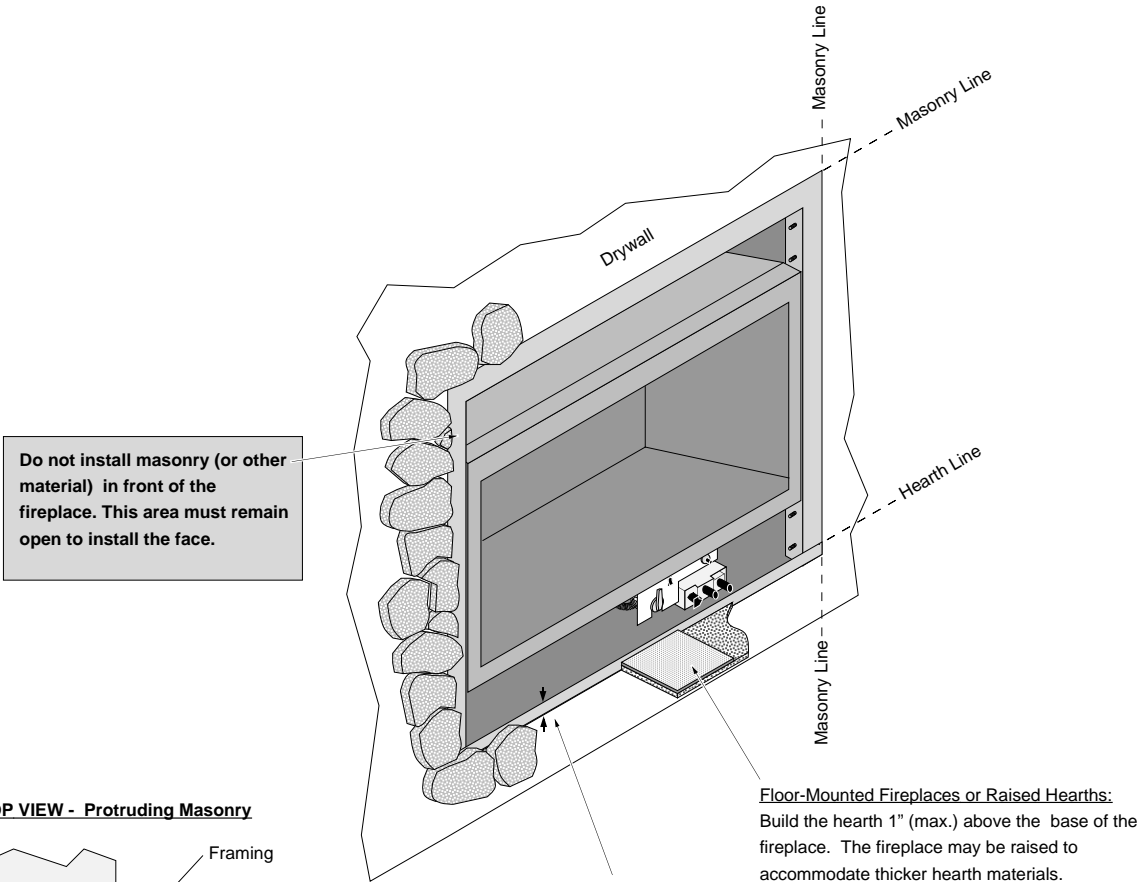
Floor-Mounted Fireplace with Hearth



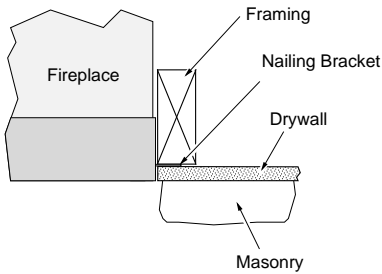
Thick Facing Installation (stone, brick, or other non-combustible over 1" thick)



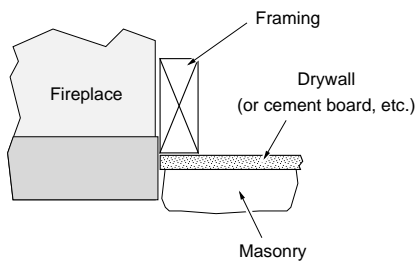
If using a Fireplace Xtrordinair (FPX) arched face, see "Thick Facing with a Fireplace Xtrordinair Arched Faces" on page 39.



TOP VIEW - Protruding Masonry



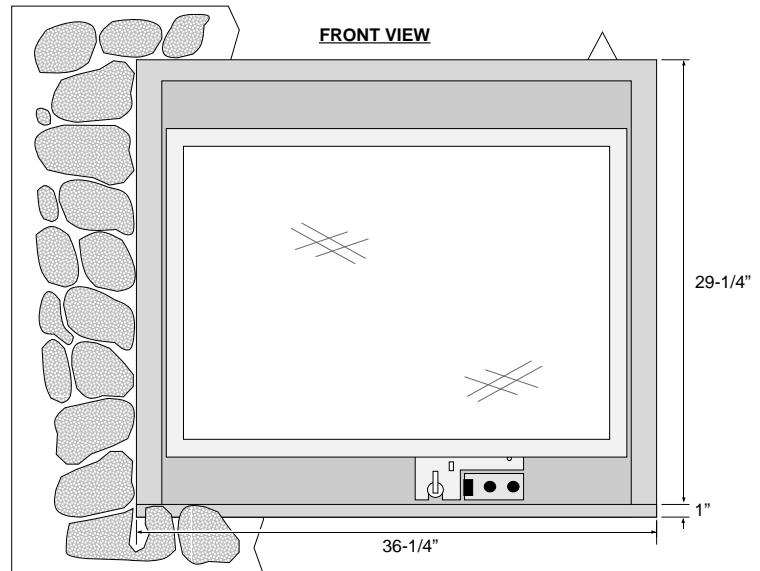
TOP VIEW - Recessed Masonry



NOTE: The nailing brackets are not used for this type of installation - secure the fireplace to the floor with the brackets along the base of the fireplace.

Floor-Mounted Fireplaces or Raised Hearths:
Build the hearth 1" (max.) above the base of the fireplace. The fireplace may be raised to accommodate thicker hearth materials.

Raised Fireplaces:
Masonry is installed 1" (maximum) above the base of the fireplace.

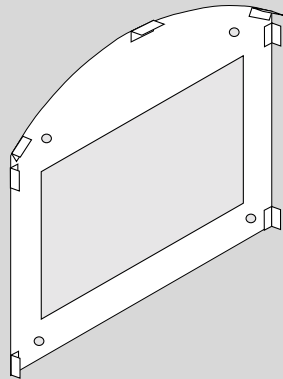


Thick Facing with Fireplace Xtrordinair (FPX) Arched Faces

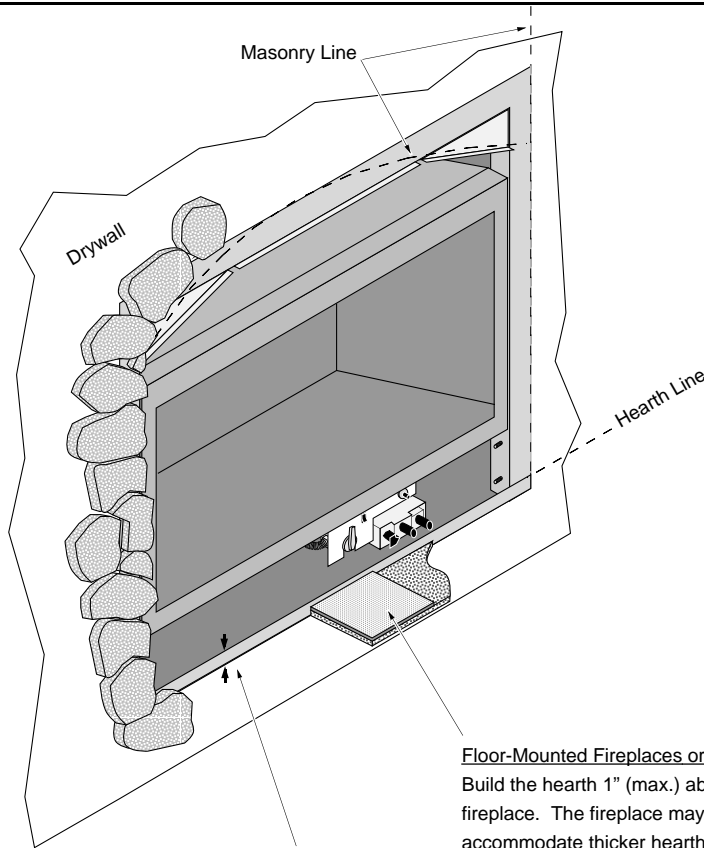
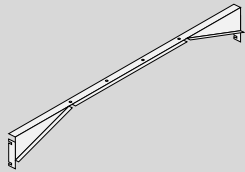


The following illustration shows facing considerations for those fireplaces utilizing FPX arched faces. The facing must be non-combustible and over 1" in depth.

The Fireplace Xtrordinair 564 Masonry Template is recommended for masonry installation (sku 98500674). The template helps locate and support the masonry as it being installed.



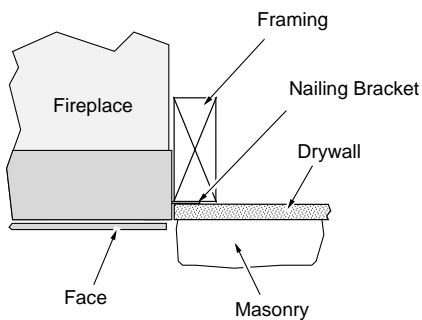
Before installing masonry, install the FPX Face Upgrade Kit (98500683). This covers the upper corners.



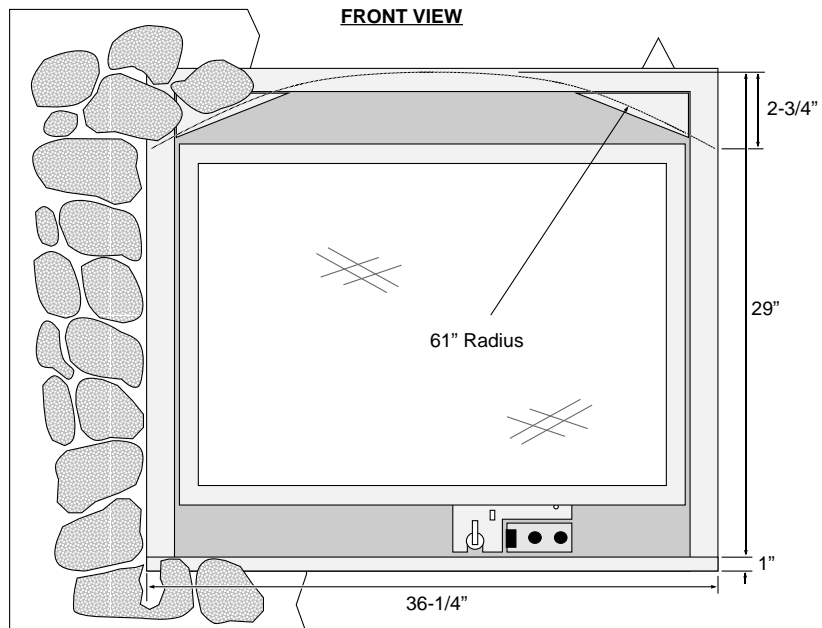
Floor-Mounted Fireplaces or Raised Hearths:
Build the hearth 1" (max.) above the base of the fireplace. The fireplace may be raised to accommodate thicker hearth materials.

Raised Fireplaces:
Masonry is installed 1" (maximum) above the base of the fireplace.

TOP VIEW

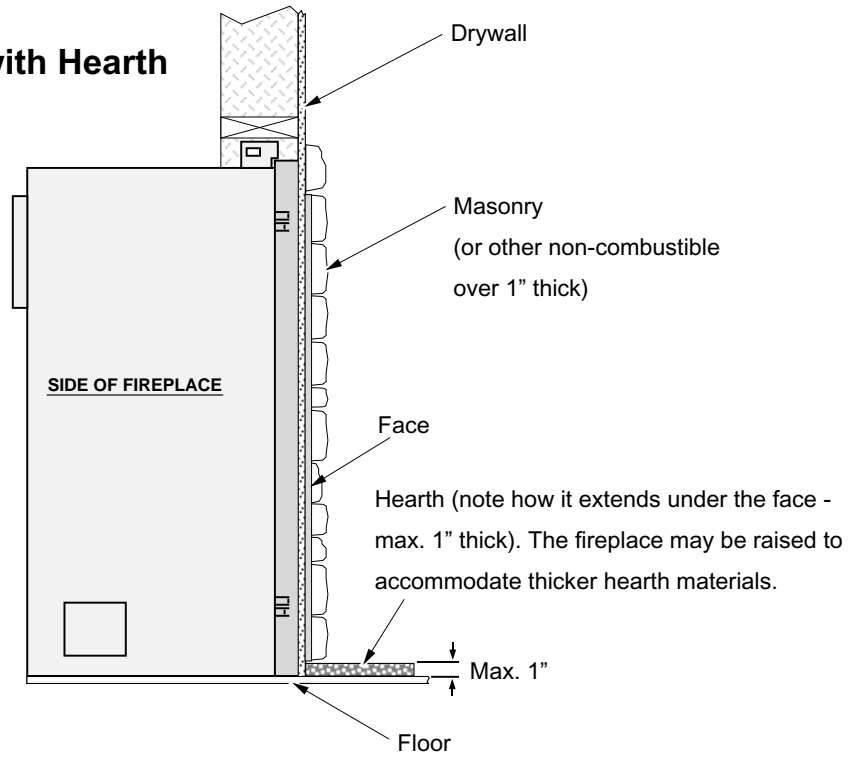


FRONT VIEW

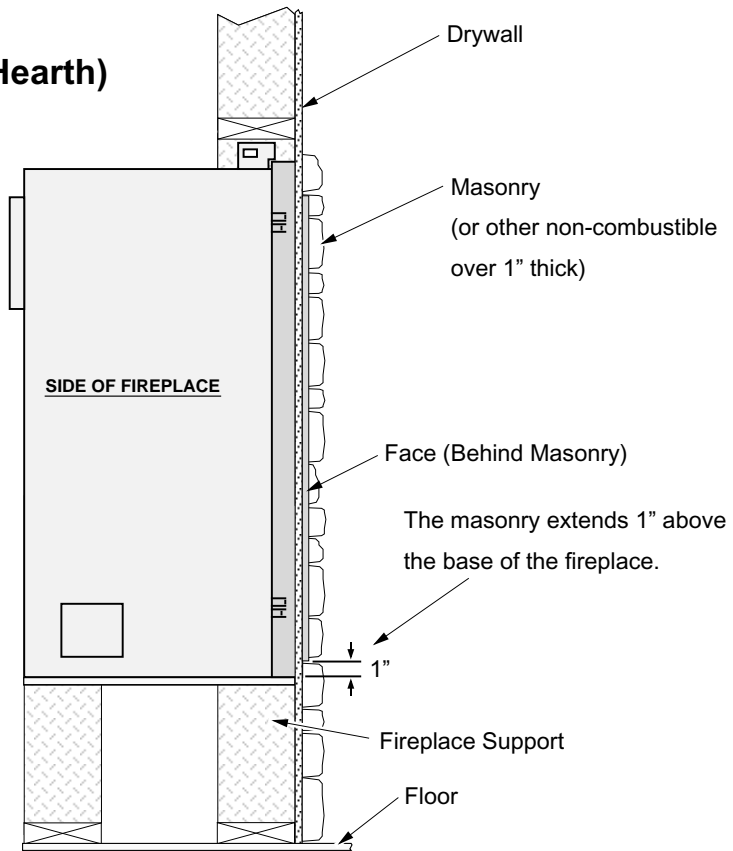


Thick Facing Installation - Side View

Floor-Mounted Fireplace with Hearth

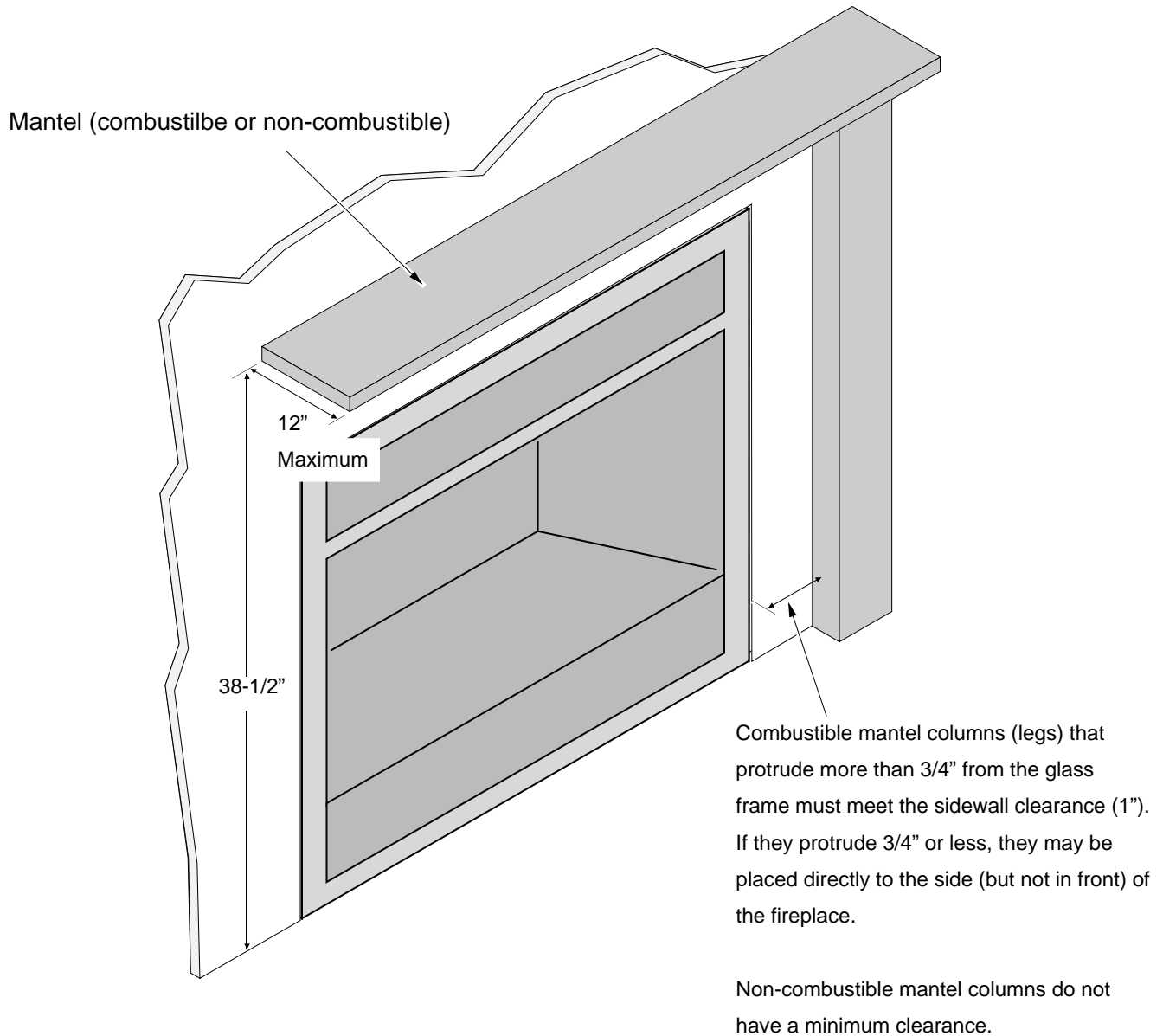


Raised Fireplace (with no Hearth)



Mantel Requirements

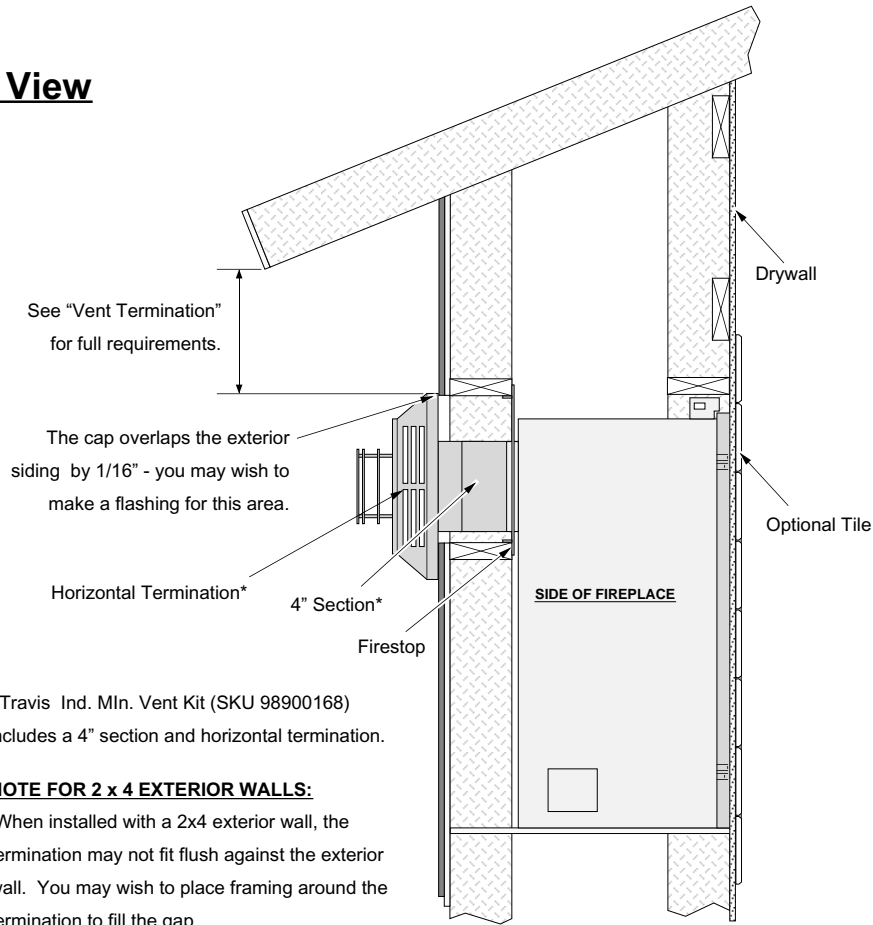
- The illustration below details mantel clearances and maximum mantel depth.
- Any material that protrudes more than 3/4" from the non-combustible facing is considered a mantel and must meet the mantel requirements.



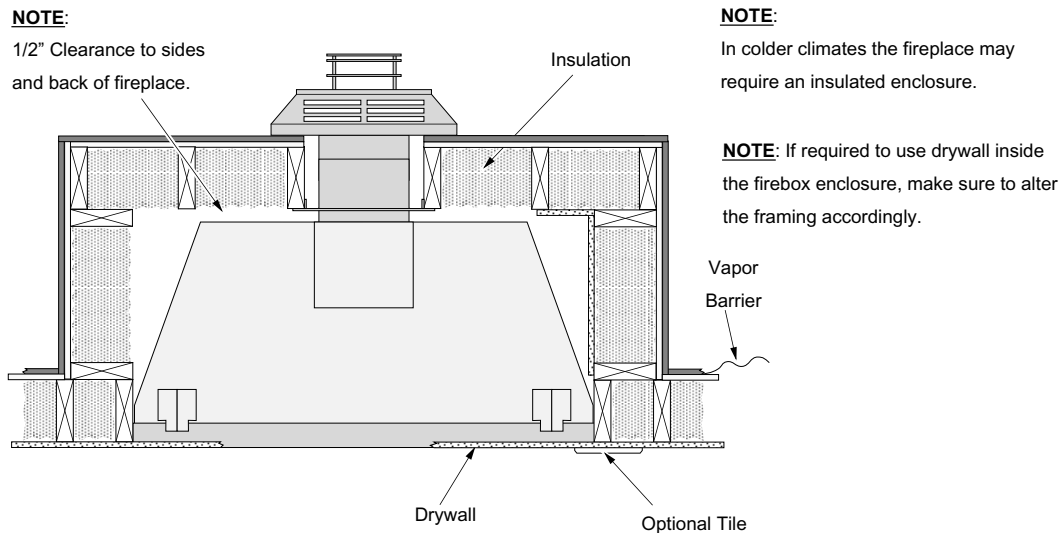
Installation Example - Build-Out (Dog-House) with Hor. Termination

- The framing, facing, and other building materials depicted below are for example only. Refer to local building codes for framing, facing, and insulating requirements in your area.

Side View



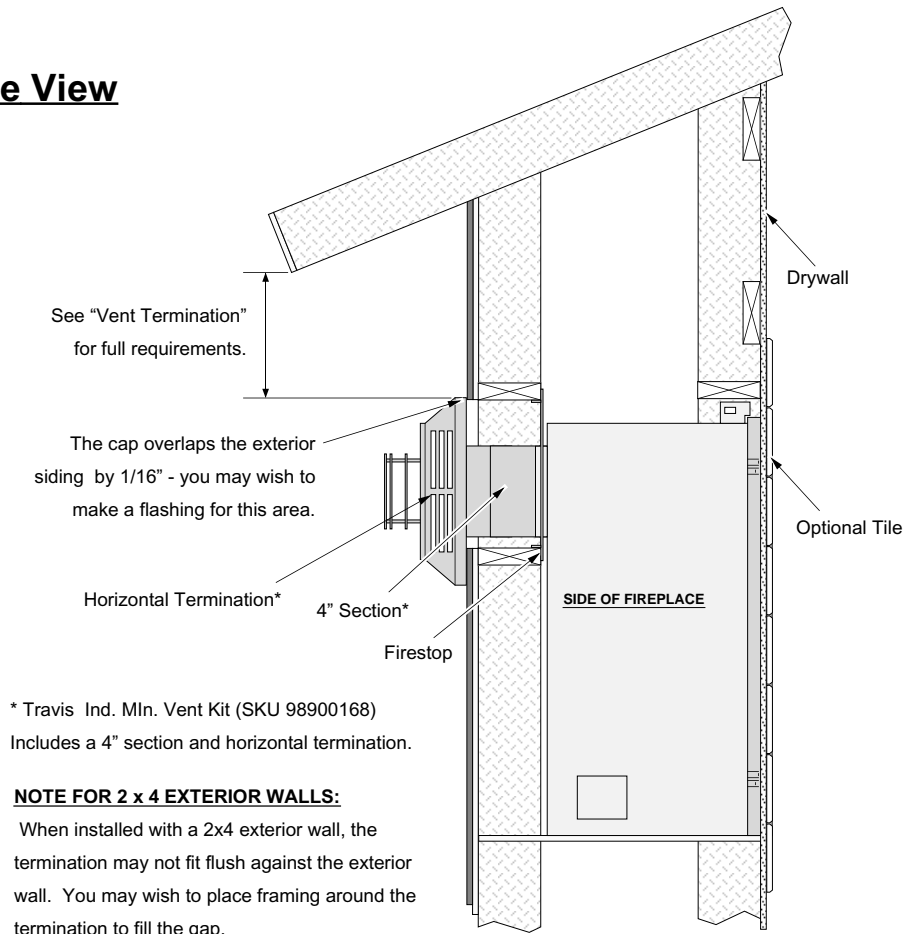
Top View



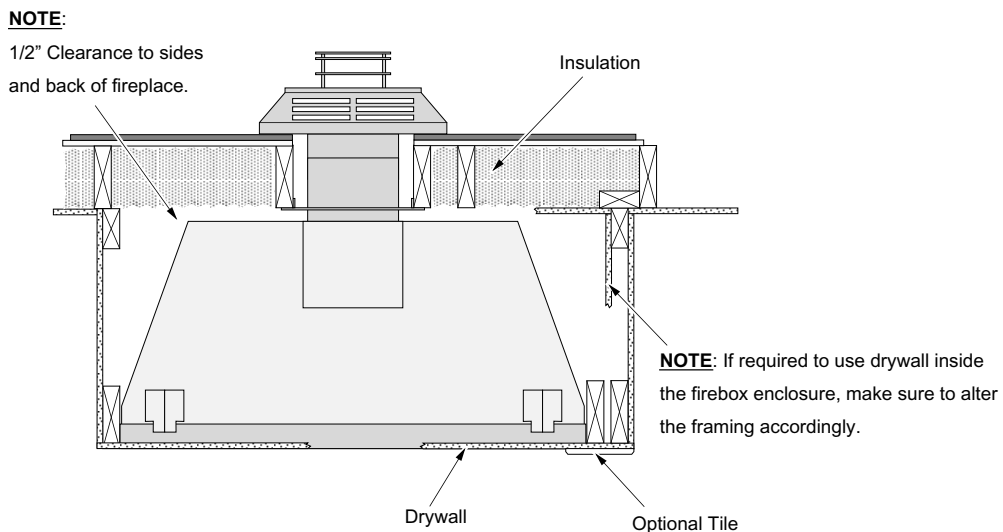
Installation Example - Build-In with Horizontal Termination

- The framing, facing, and other building materials depicted below are for example only. Refer to local building codes for framing, facing, and insulating requirements in your area.

Side View



Top View



44 Finalizing the Installation (for qualified installers only)

Steps for Finalizing the Installation

1. Remove the glass (see page 46).
NOTE: If using propane (LP) convert the appliance prior to installing the logs.
2. We recommend you purge the gas line at this time (with the glass removed). This allows gas to be detected once it enters the firebox, ensuring gas does not build up.
3. Install the logs (see page 48).
4. Turn on the gas to the fireplace. Turn on gas to the heater. Leak test all gas joints prior to starting the appliance. Start the pilot.

Starting the Pilot Flame

WARNING: When lighting or re-lighting the pilot, the glass must be removed (see page 44).

- a Remove the glass (see page 44 for details).
- b Push the gas control knob in slightly and turn it to the "OFF" position. The knob will not turn from "ON" to "OFF" unless the knob is depressed slightly. Wait five minutes to let any gas that may have accumulated inside the firebox escape. If you smell leaking gas, follow the directions on the cover "IF YOU SMELL GAS".
- c Turn the gas control knob to the "PILOT" position and press the knob in, this will allow gas to flow to the pilot light. Press the button on the pilot igniter repeatedly until you see the pilot light.

WARNING: If the pilot does not light after 15 seconds, release the knob and call your dealer for service. Do not attempt to light pilot until service has been performed.

NOTE:

You may wish to remove the log set to gain a better view of the pilot (see page 48).

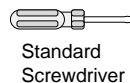
- d Keep the gas control knob depressed for 30 seconds once it is lit.
- e Release the gas control knob. If the pilot goes out, repeat step C. If the pilot refuses to stay lit, call your dealer for service. With the pilot lit, proceed to step "f".
- f Replace the glass.
- g Turn the gas control knob counter-clockwise to "ON". The pilot is now lit and the heater can be turned on and off.

5. Check the pilot flame following the directions below.

Pilot Flame Inspection

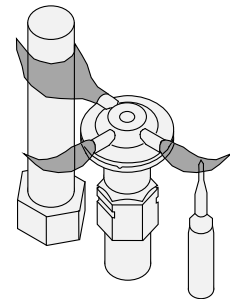
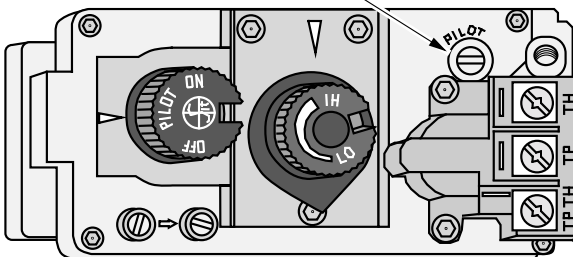
The pilot flame should look like the illustration below. Adjust the pilot flame if necessary.

To adjust the pilot flame, turn this screw. Clockwise lowers the flame while counter-clockwise raises it.



Standard
Screwdriver

The pilot flame must contact the thermocouple and thermopile (see the illustration below). Adjust the pilot up or down as necessary.

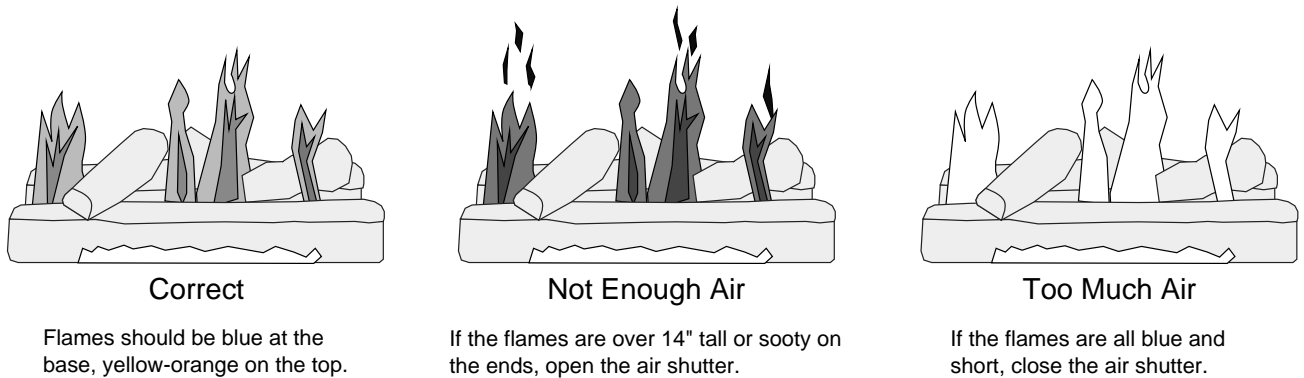


6. Replace the glass.
7. Start the main burner (the main burner circuit is detailed on page 21). Leak test all gas joints again.

8. Check the air shutter following the directions below.

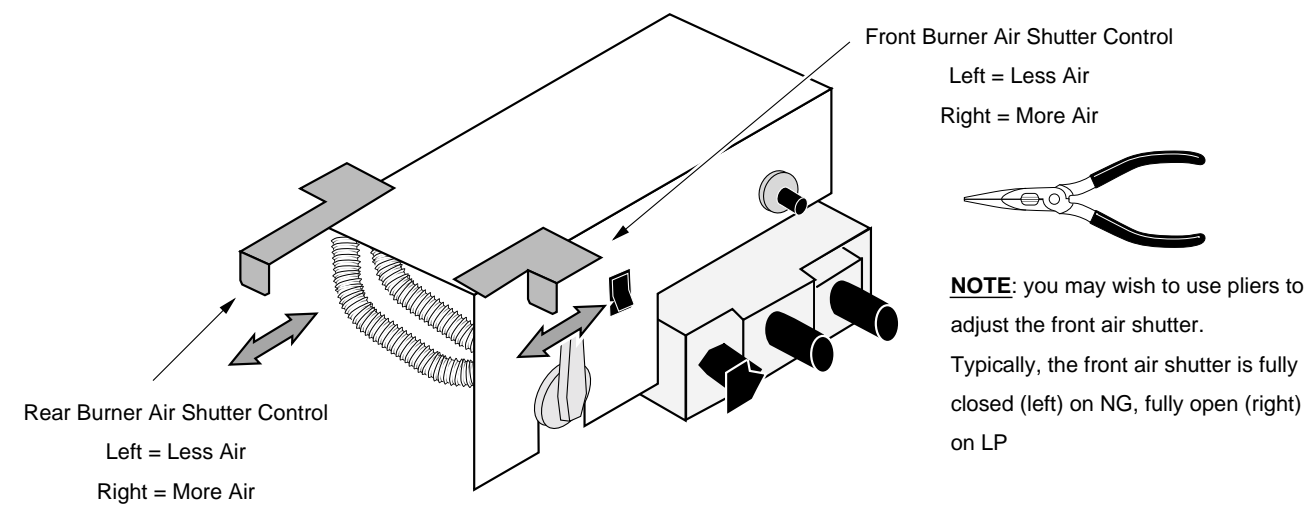
Air Shutter Adjustment

Let the heater burn for fifteen minutes (make sure the logs and glass are in place). The flames should be yellow with no sooting. Adjust the air shutter, if necessary, to achieve the correct looking flame.



Front Air Shutter Adjustment

The front burner air shutter may be adjusted while the burner is on (take care to prevent contacting the burner area).



9. Turn the flame adjust knob to its highest position - the flames should not contact the top of the firebox. Check the flame on low position. The flames should burn off of each burner hole. If the heater does not work correctly, contact your Travis dealer for a remedy.
10. Give this manual to the home owner for future reference and fully explain operation of this heater. For comprehensive operating and maintenance instructions, refer to the Owner's Manual (part # 100-01189).

ACID WASH WARNING: Before installing the faceplate, make sure any masonry that has been treated with acid wash has been properly neutralized (this is used primarily with brick faces). Acid wash (muriatic acid) is used to remove excess mortar. If not properly neutralized with an ammonia solution, the plated face may develop a permanent tarnish when the acid evaporates over time. Contact your dealer if uncertain your facing has been properly neutralized.

46 Finalizing the Installation (for qualified installers only)

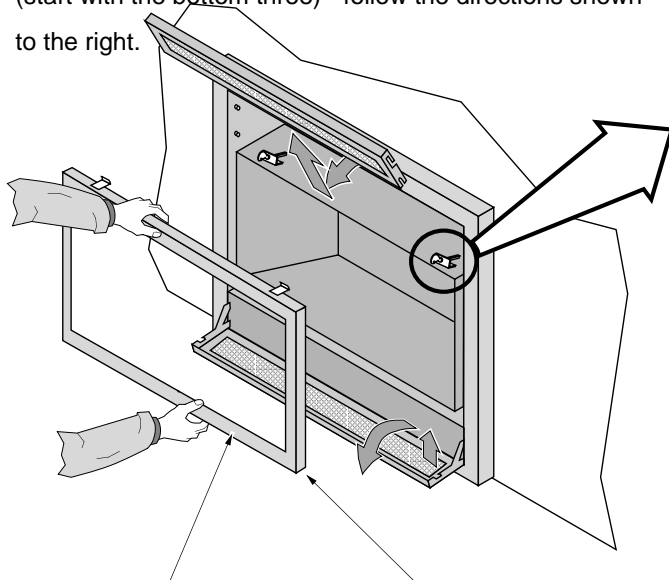
Glass Frame Removal and Installation

Warning: The appliance must be completely cool before removing the glass.

Warning: Do not strike or slam the glass.

- a** Based upon the face being used, either:
- swing the access door down and remove the top grill,
 - remove the face (unscrew or lift off - see the instructions included with the face for details).

Open the four latches holding the glass frame in place (start with the bottom three) - follow the directions shown to the right.



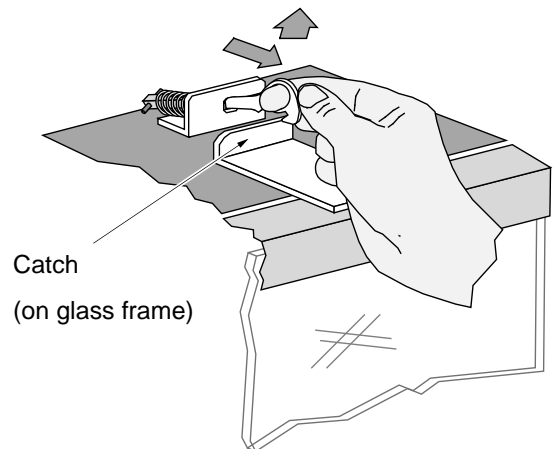
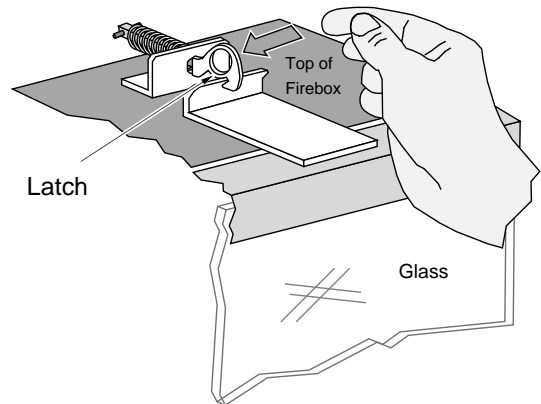
- b** Lift the glass frame up and pull it forward to remove.

NOTE:

You may need to lift the glass frame while re-attaching.

Re-Attaching the Glass Frame:

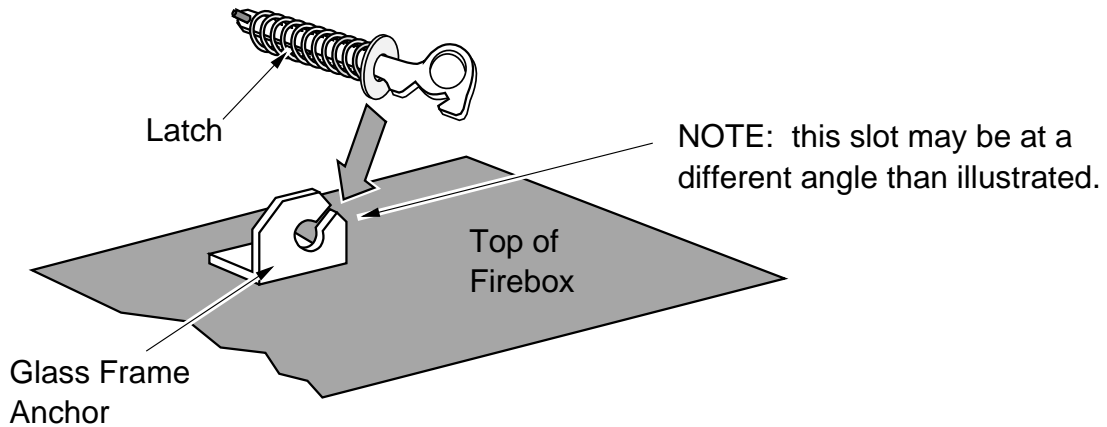
- Hang the glass frame on the firebox.
- While holding in place, attach the upper latches (follow the instructions to the right in reverse).
- Lift the glass frame slightly and attach the lower latches.



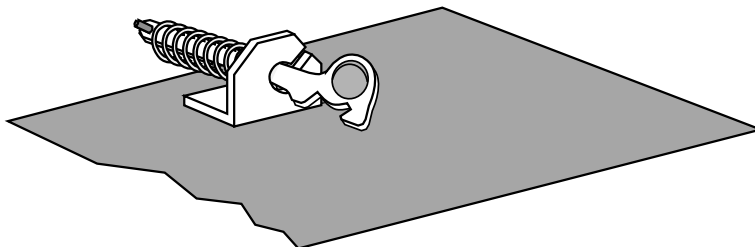
Glass Frame Removal and Installation (continued)

The latch can come loose from glass frame anchor. This occurs when it is turned 1/4 turn when it is disengaged. Follow the directions below to re-install the latch if it becomes loose.

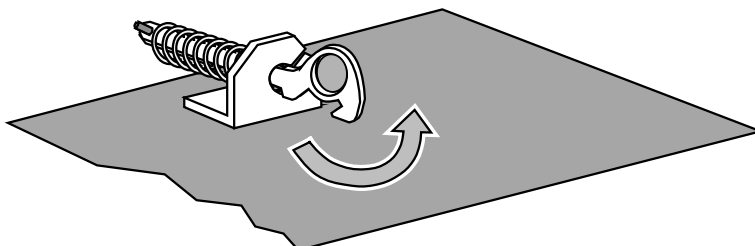
Hold the latch at an angle and insert it into the slot on the glass frame anchor.



Note how the washer on the latch fits behind the flange on the glass frame anchor.



Once fully inserted, turn the latch until it is upright.

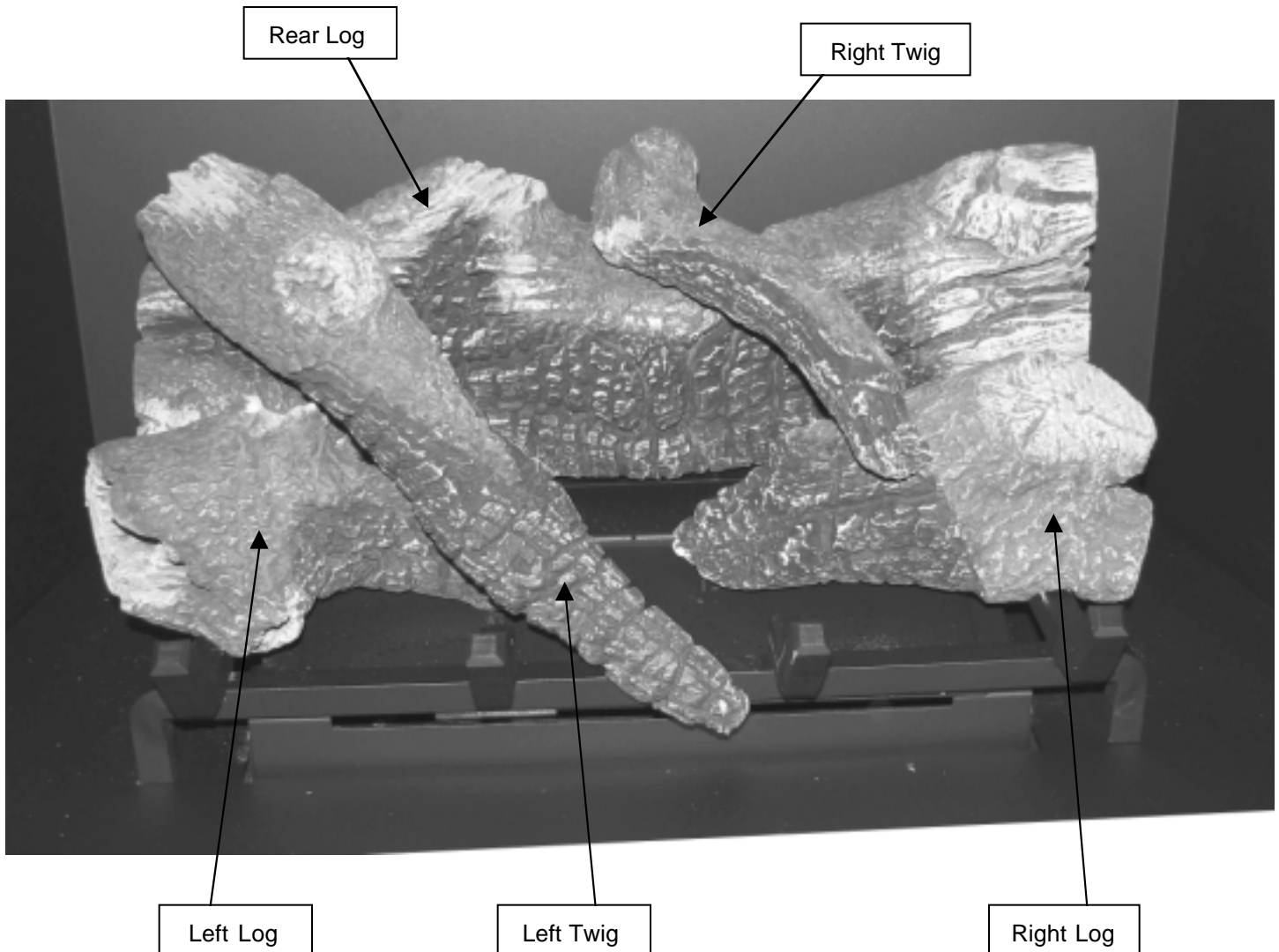


48 Finalizing the Installation (for qualified installers only)

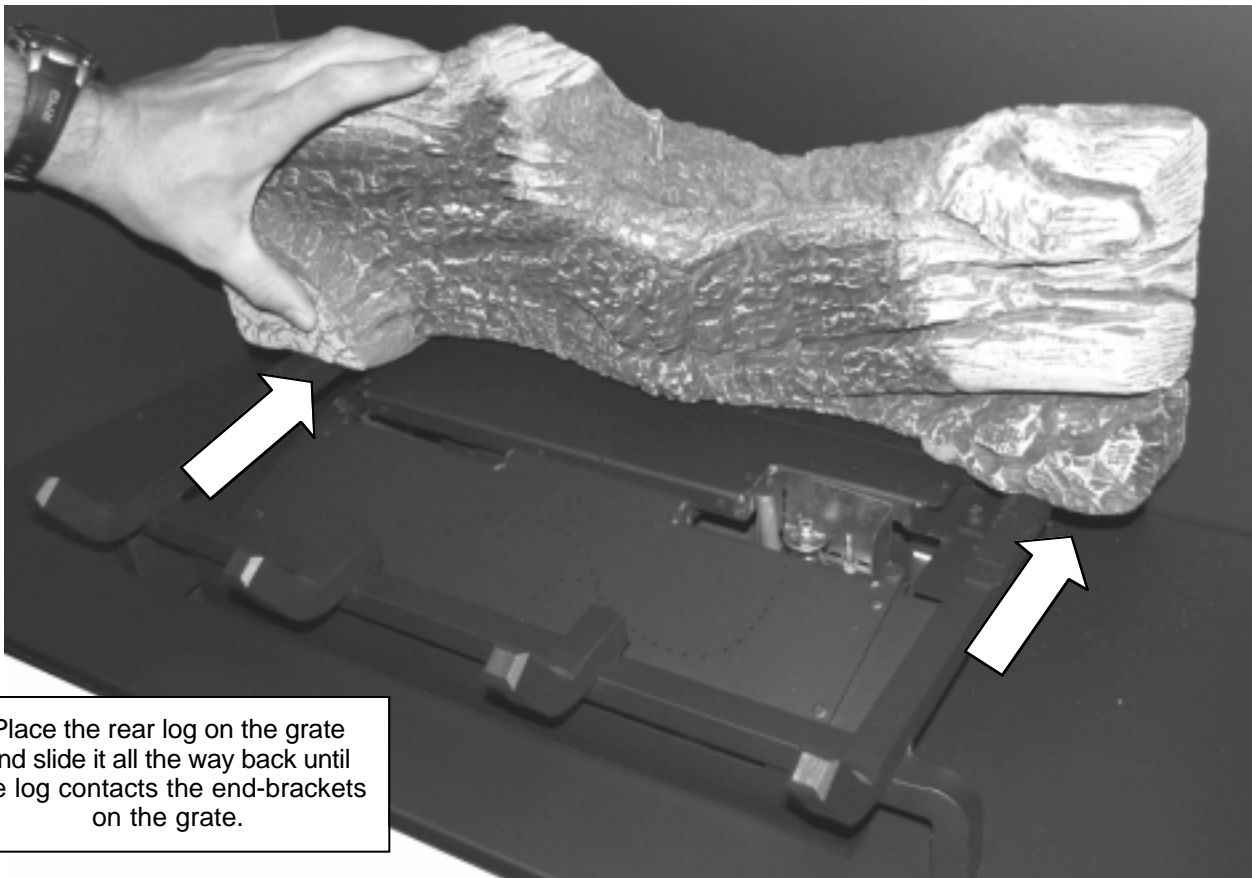
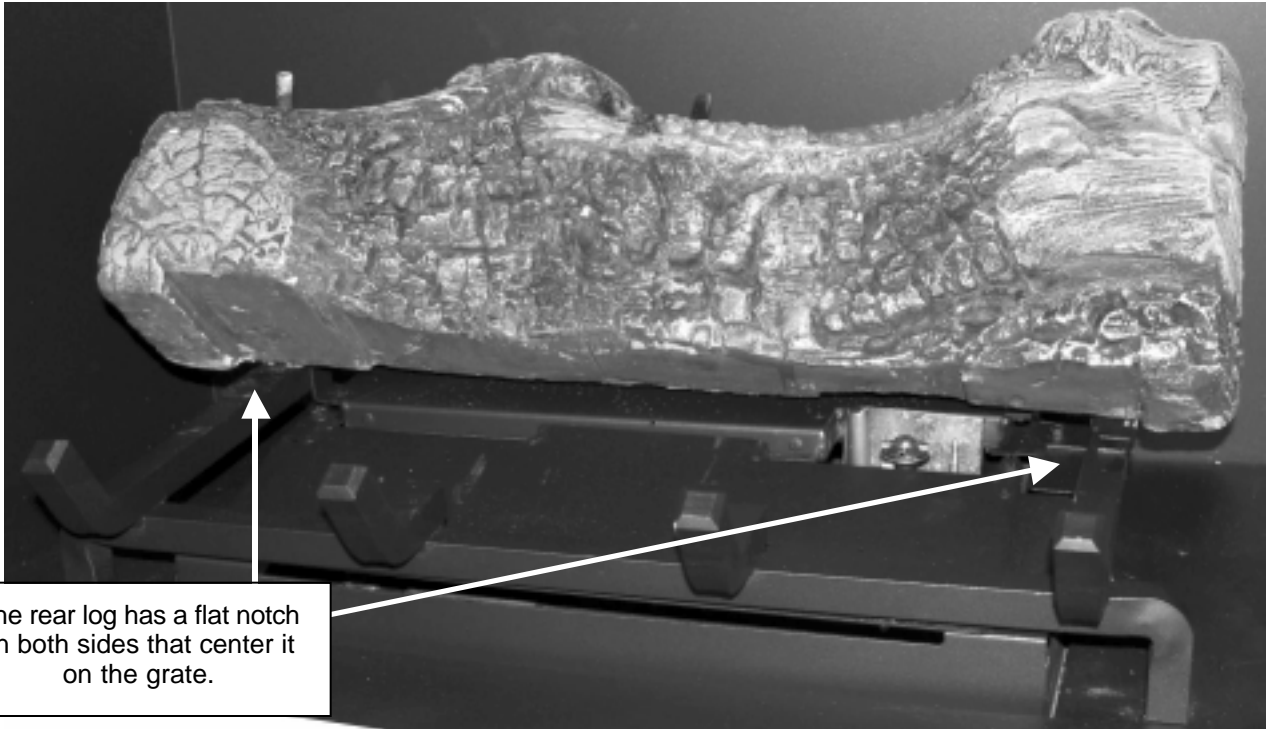
Log Set Installation

Log Set Overview

When installed, the logs should appear as shown below.

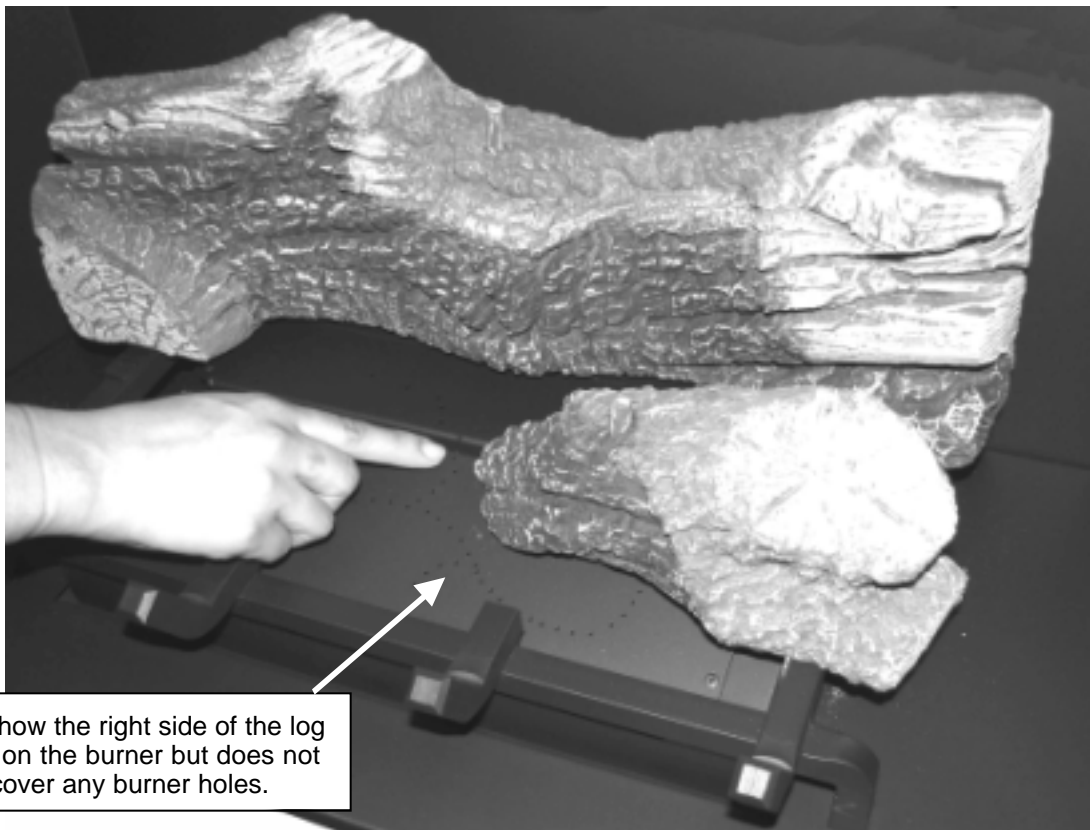
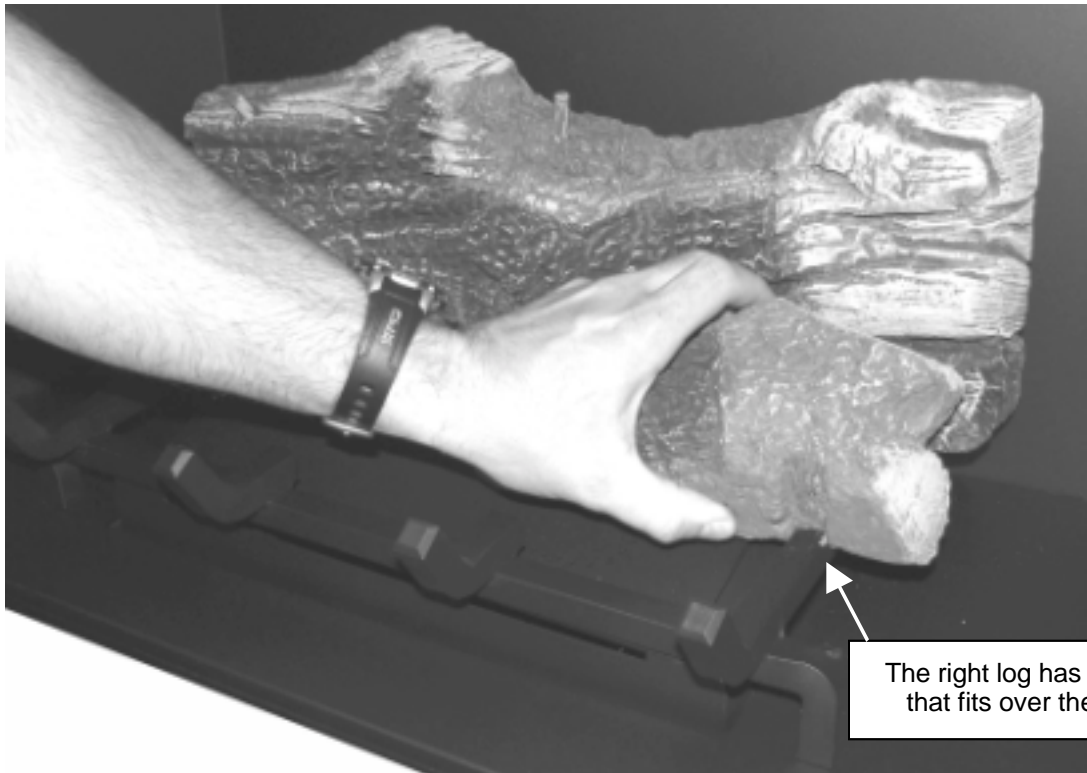


Rear Log Installation

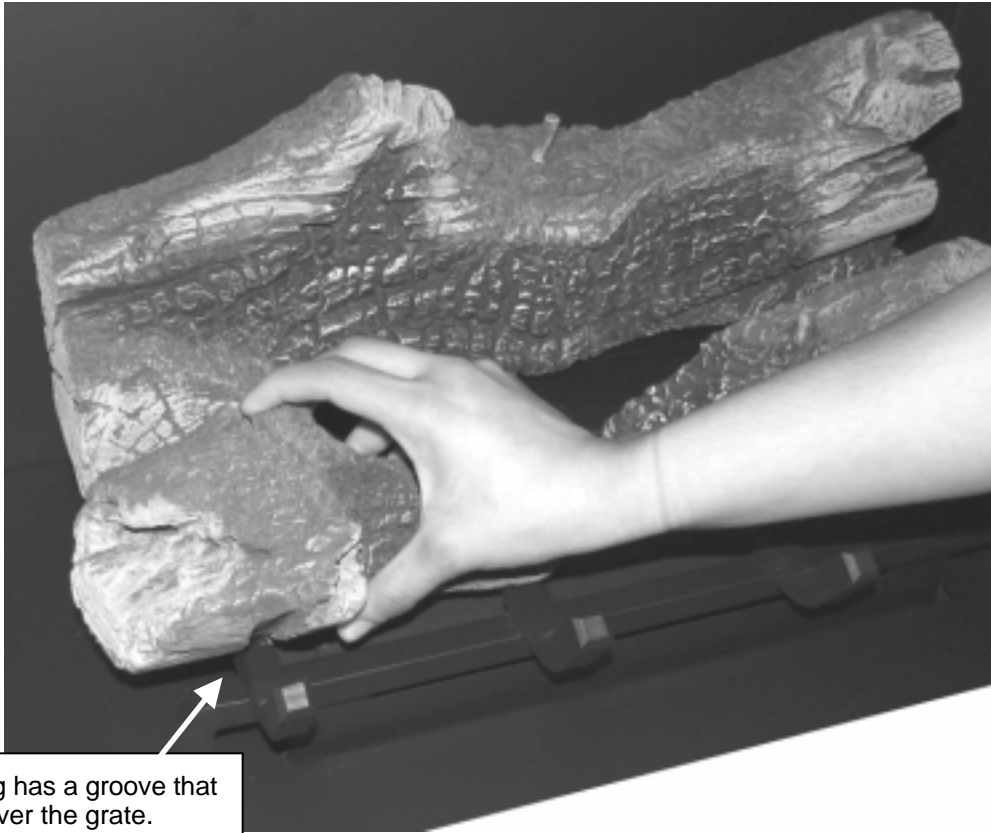


50 Finalizing the Installation (for qualified installers only)

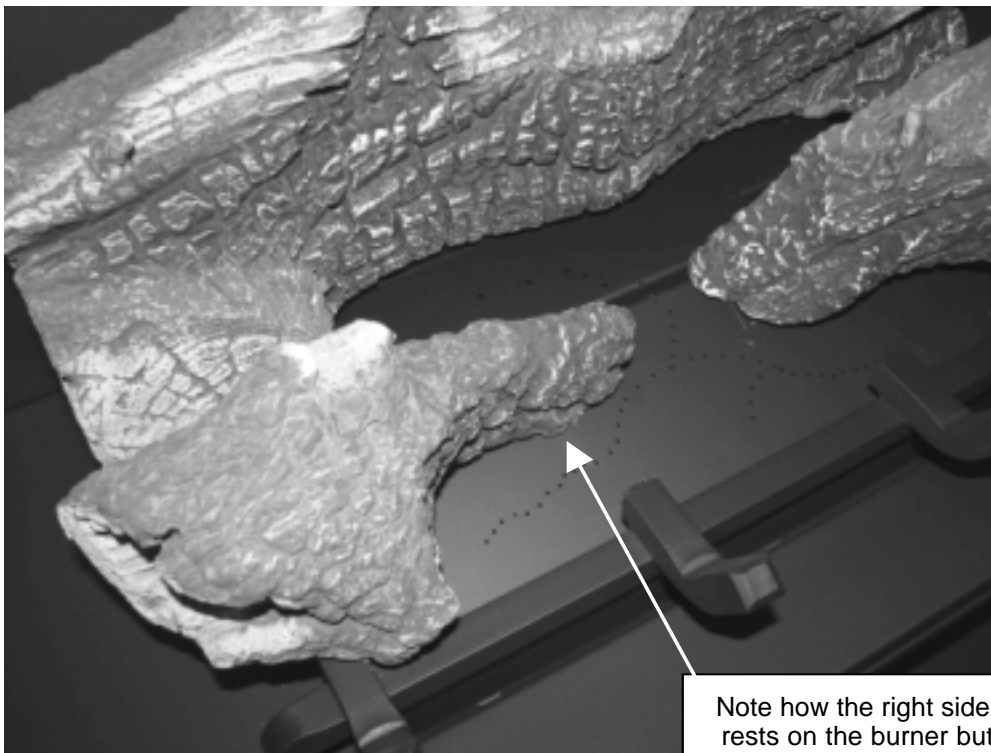
Right Log Installation



Left Log Installation



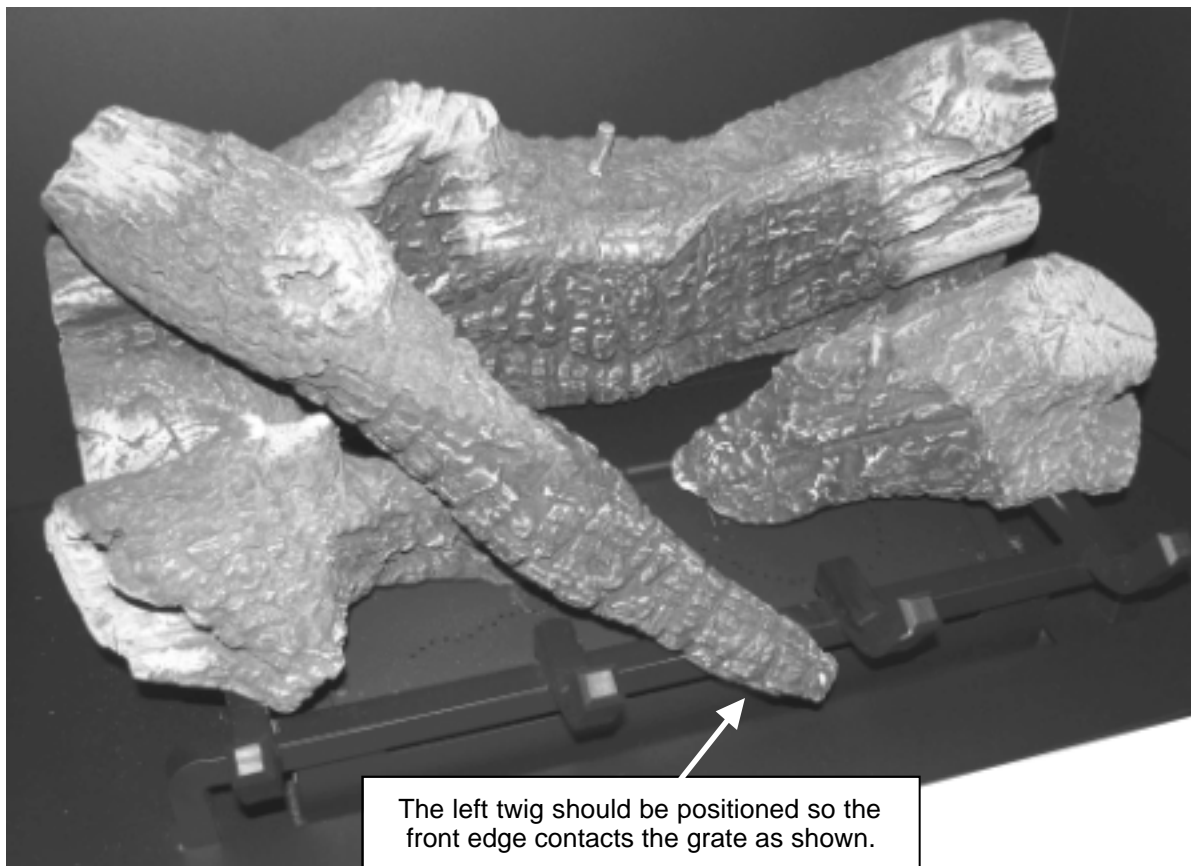
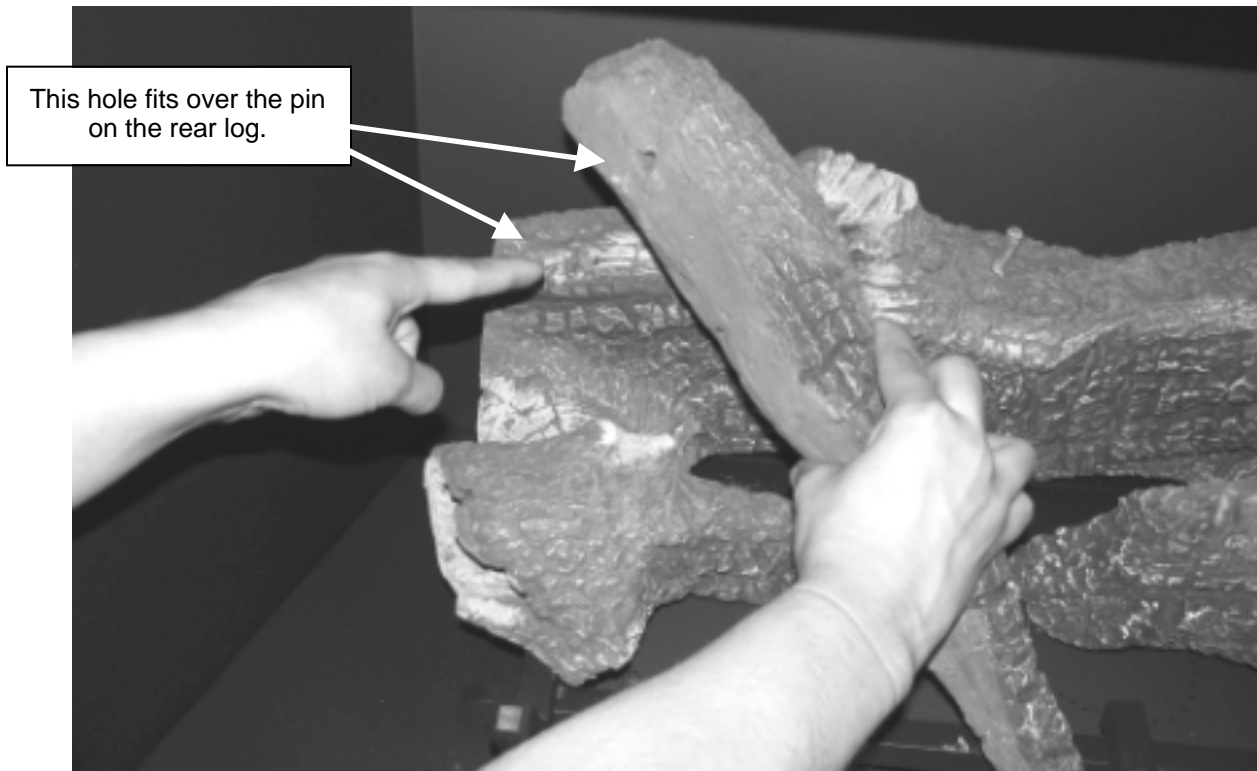
The left log has a groove that fits over the grate.



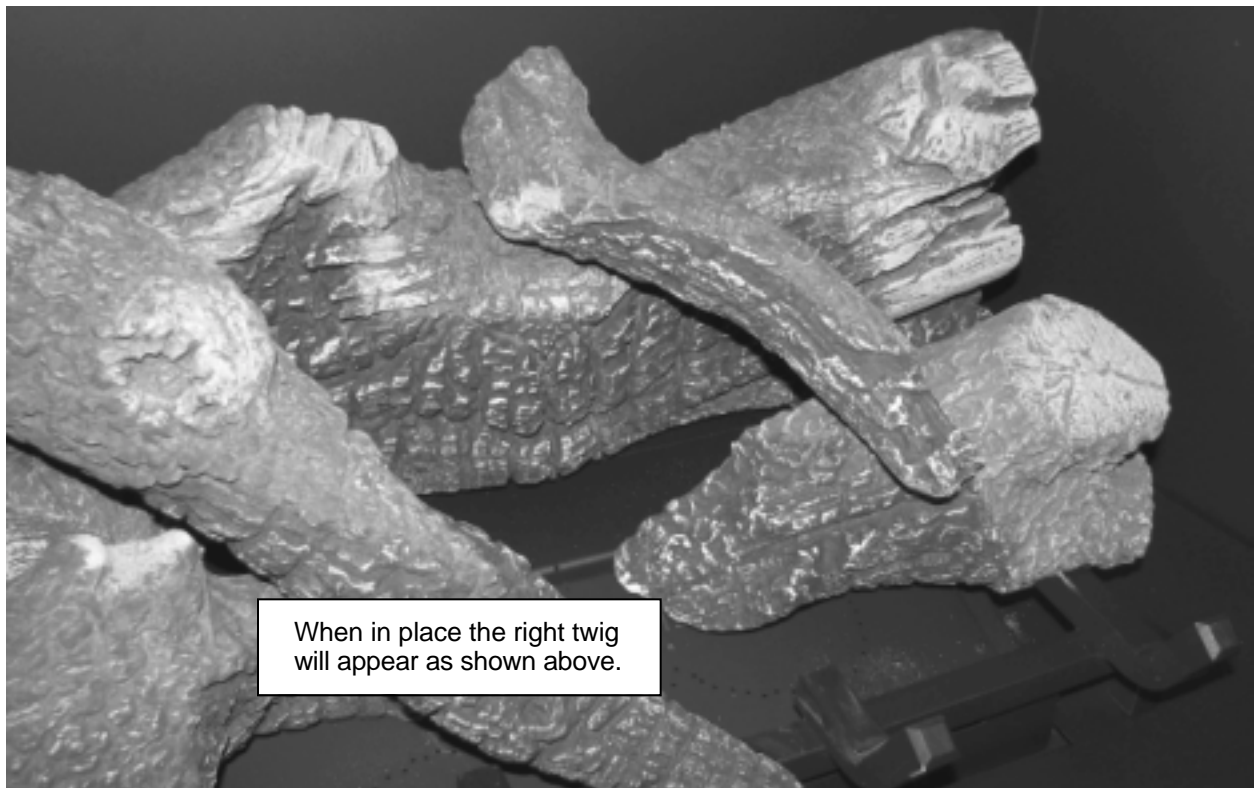
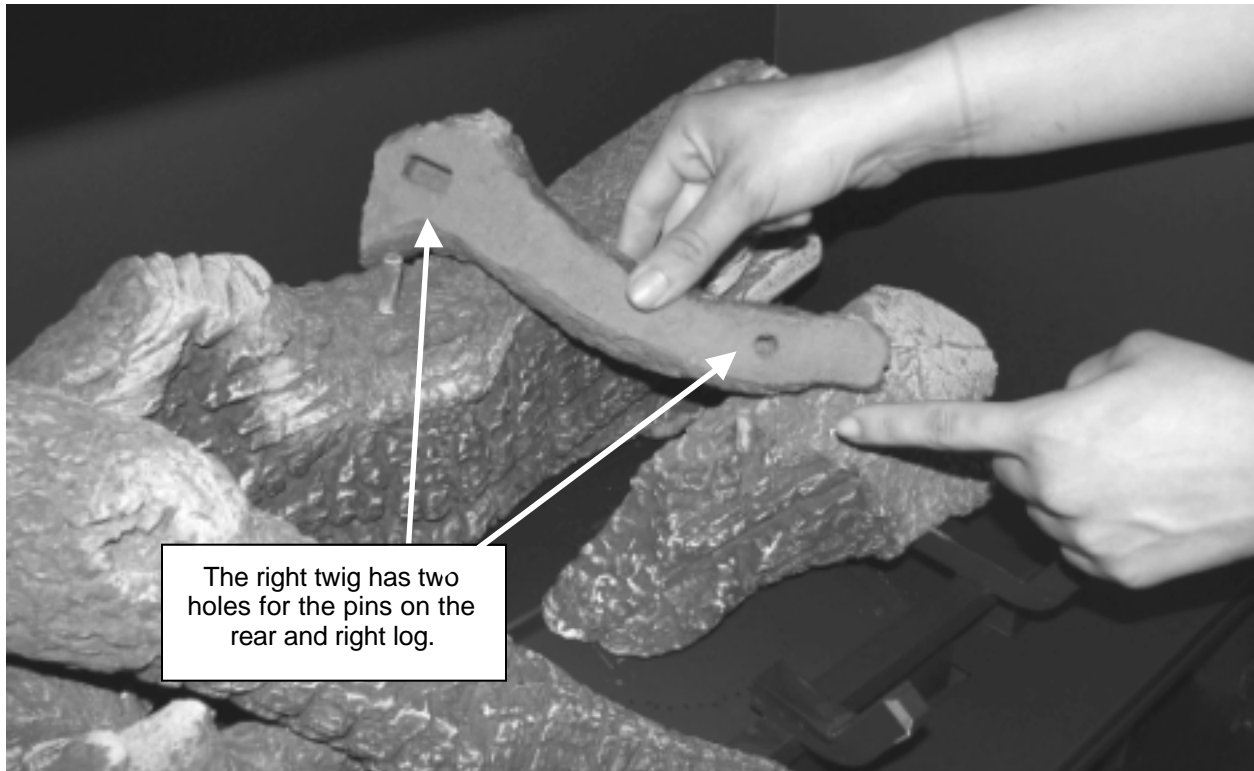
Note how the right side of the log rests on the burner but does not cover any burner holes.

52 Finalizing the Installation (for qualified installers only)

Left Twig Installation



Right Twig Installation



54 Finalizing the Installation (for qualified installers only)

Ember Installation

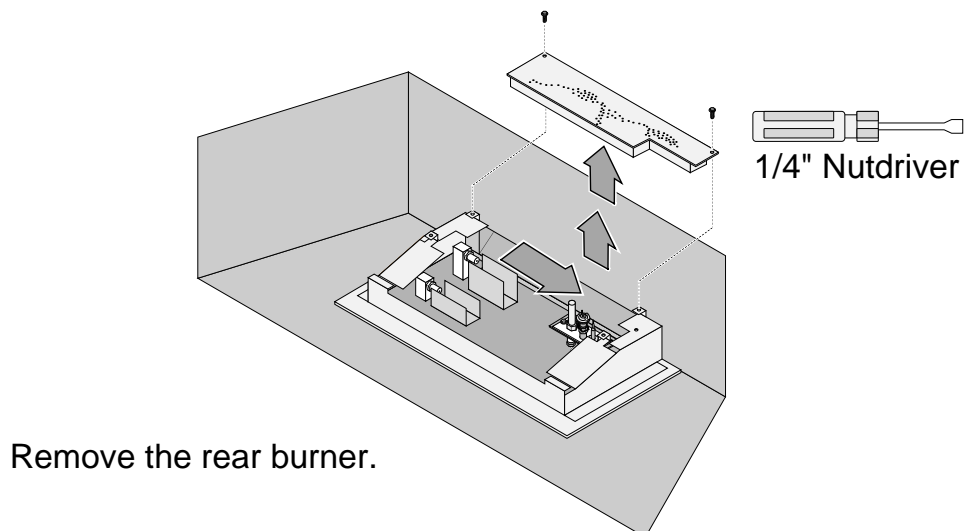
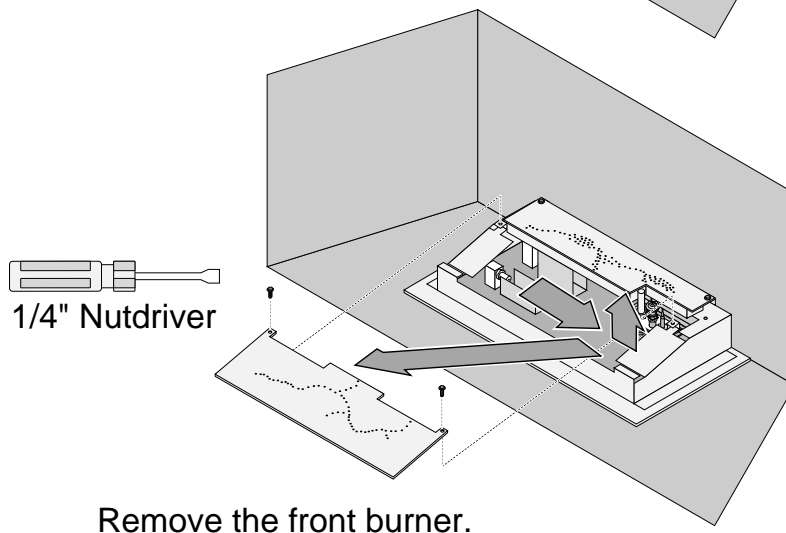
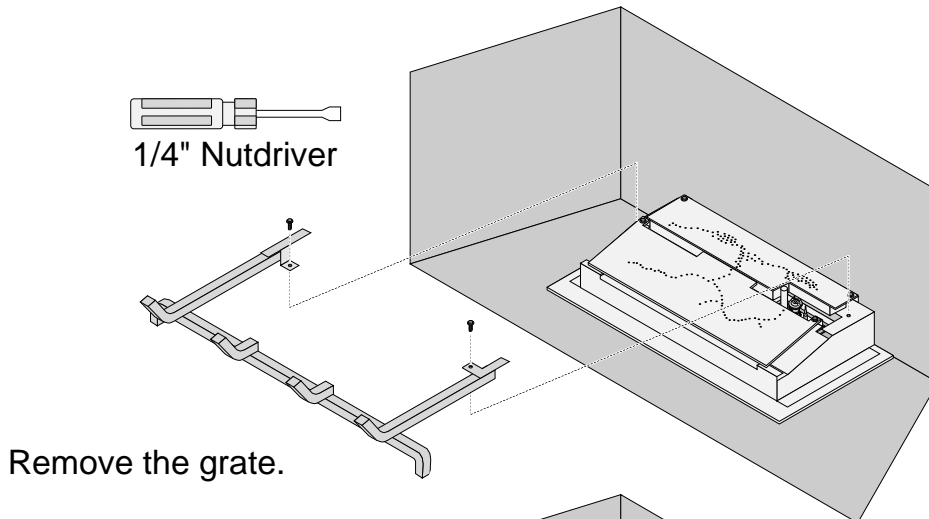
A bag of embers is provided to further enhance the firebox. Place the embers on the firebox floor and on the burner. Do not place embers over any of the burner holes or air channels.



LP Conversion Instructions

Install the conversion kit prior to installing the gas line to ensure proper gas use.

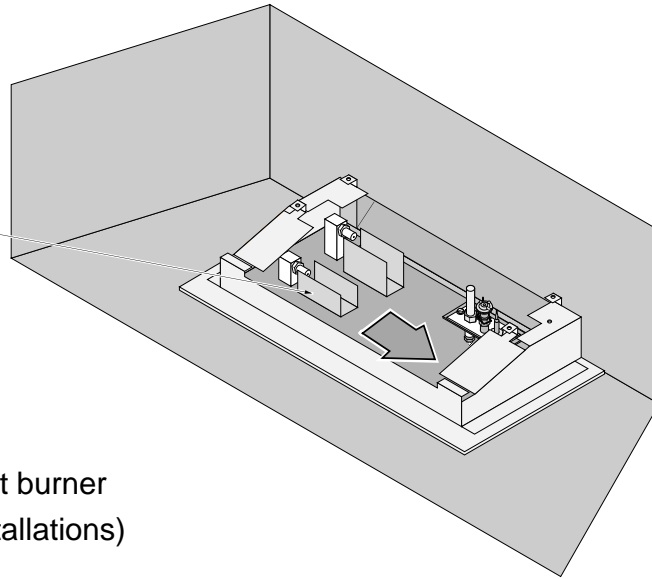
- 1 Remove the glass (see page 44). Remove the logs and coals (if installed - page 48)
- 2 Remove the burner (see illustration below).



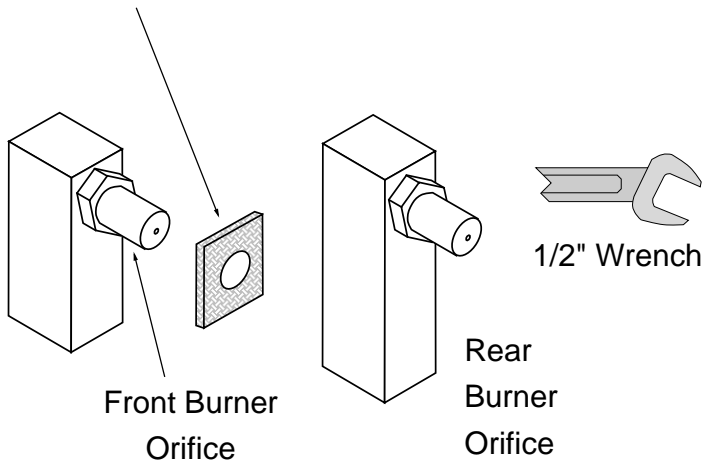
56 Finalizing the Installation (for qualified installers only)

3 Follow the directions below to replace the orifice.

- (a) Slide the air shutters all the way to the right.



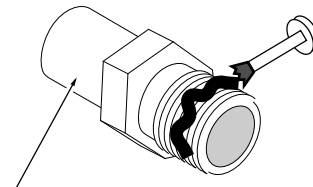
- (b) Remove and discard the front burner gasket (used only for NG installations)



- (c) Use a 1/2" open end wrench to unscrew the two orifices.

(d)

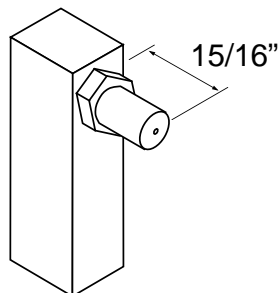
Apply thread sealant to the LP orifices prior to installation. Use the chart below to identify the correct orifices.



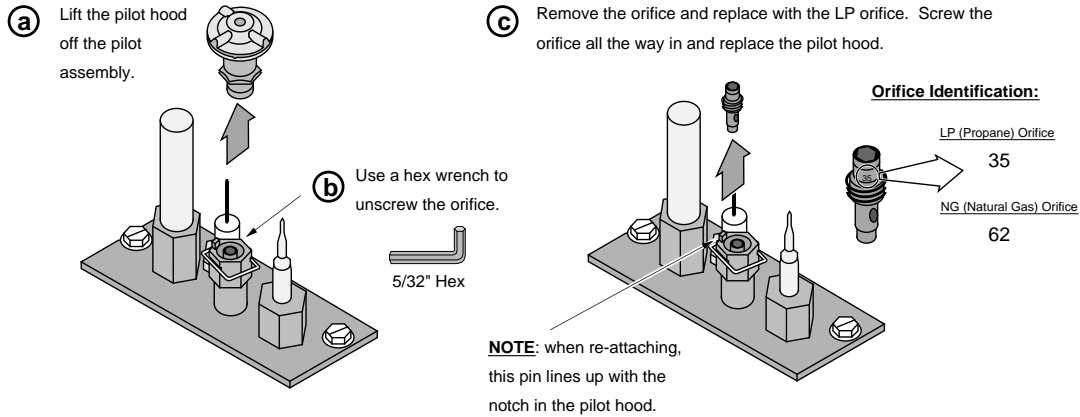
Look here for the orifice identification

	NG	LP
Front	#56	#67
Rear	#50	1.1

- (e) Screw each LP orifice in so the orifice protrudes 15/16" (indicating full insertion).

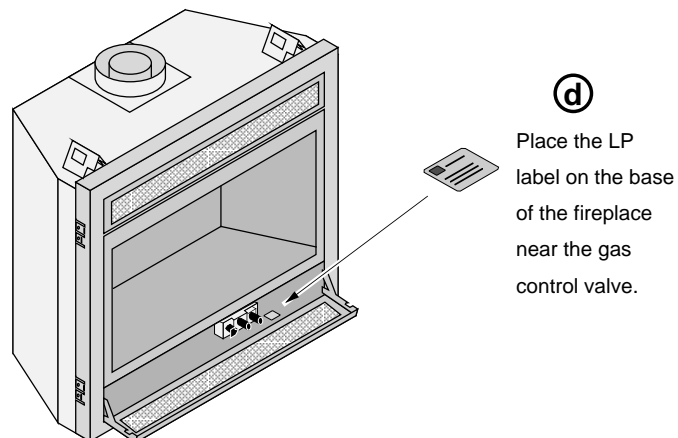
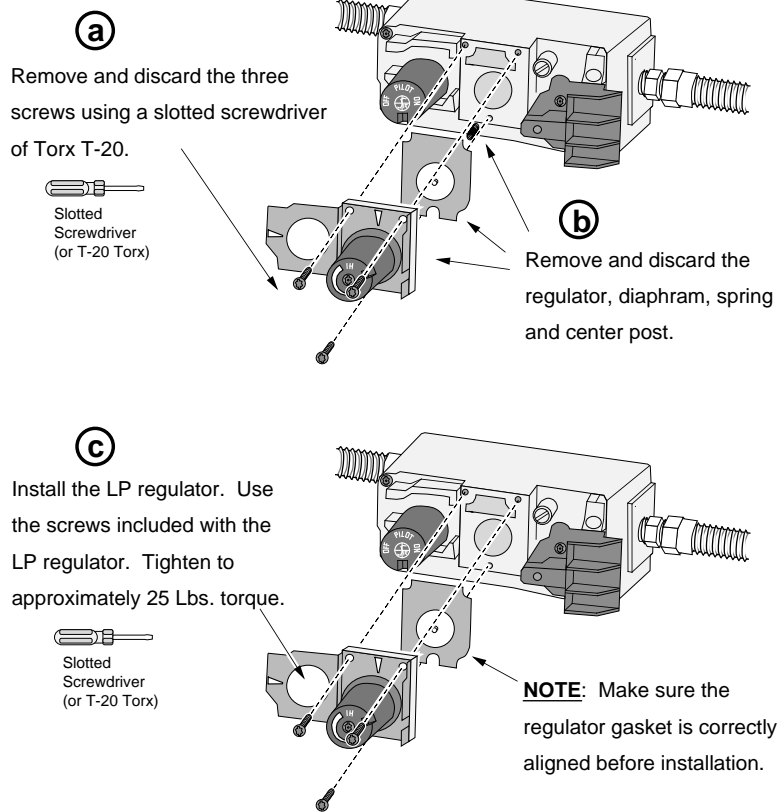


4 Remove the pilot orifice following the instructions below. Replace with the propane pilot orifice



5 Replace the firebox components. Install the logs and embers. Replace the glass.

6 Remove the regulator from the front of the gas control valve. Replace with the propane regulator, using the new gasket and screws included with the regulator. **NOTE: Leak test this area after the heater is installed, gas is connected, and the main burner is lit.**



58 Finalizing the Installation (for qualified installers only)

- 7 Make the gas line connection, bleed the gas line (if applicable), start the heater and thoroughly leak-test all gas connections and the gas control valve. Check the pilot. Adjust if necessary.

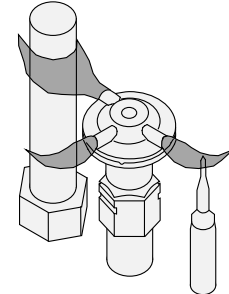
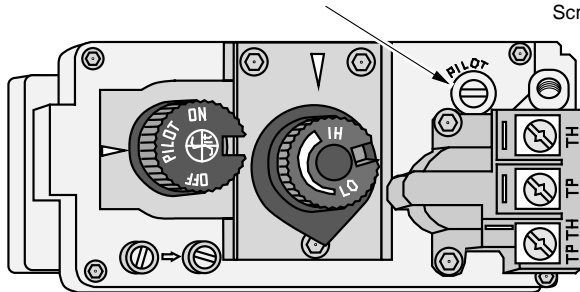
WARNING: When lighting or re-lighting the pilot, the glass must be removed (see page 44).

To adjust the pilot flame, turn this screw (NOTE: if totally unscrewed gas will come out of this port). Clockwise lowers the flame while counter-clockwise raises it.



Standard
Screwdriver

The pilot flame must contact the thermocouple and thermopile (see the illustration below). Adjust the pilot up or down as necessary.

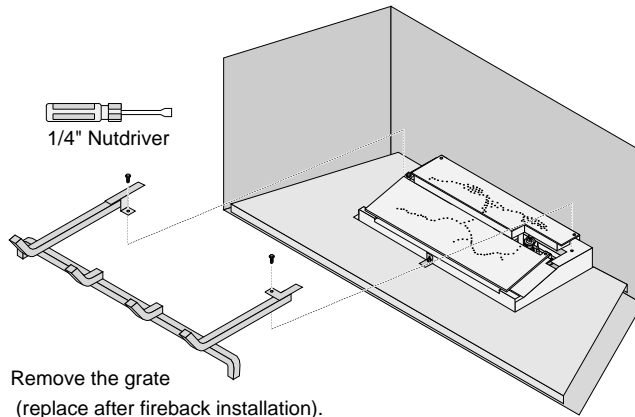


Fireback Installation

WARNING

Turn off gas to the appliance and make sure it has fully cooled prior to conducting service.

- 1 Remove the glass frame and logs.
- 2 Remove the grate (replace after fireback installation). Remove and discard the hearth plate.
- 3 Install the firebacks following the directions below. Select either the straight brick or herringbone brick pattern to face outwards.



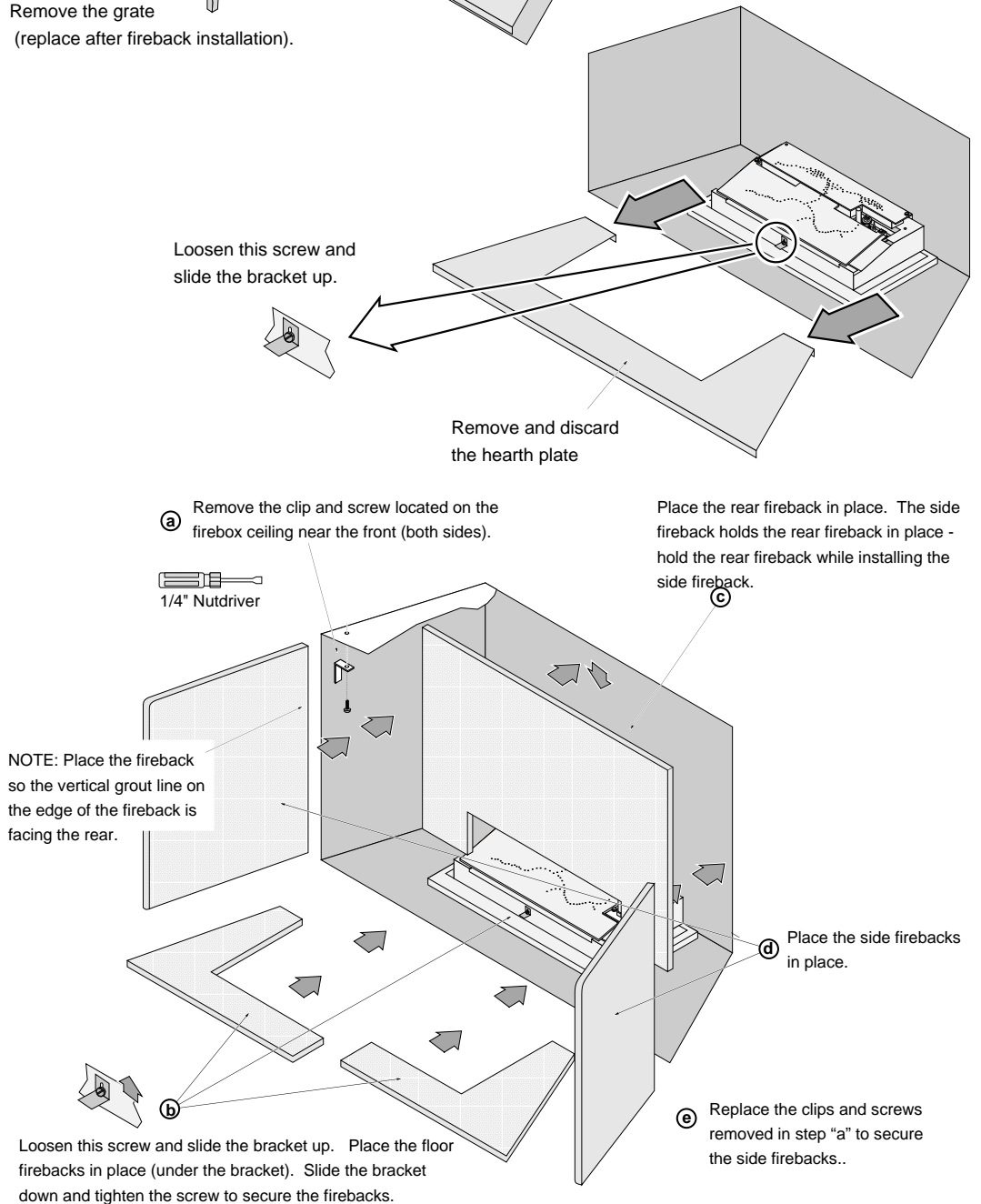
Loosen this screw and slide the bracket up.

Remove and discard the hearth plate

NOTE:

Due to the construction of the ceramic firebacks, you may need to reposition the firebacks to achieve the correct alignment.

- 4 Restore the fireplace to the correct configuration.



60 Optional Equipment (for qualified installers only)

Blower (part # 99000156)



Make sure power to the fireplace has been turned off prior to installation (disable the service breaker).

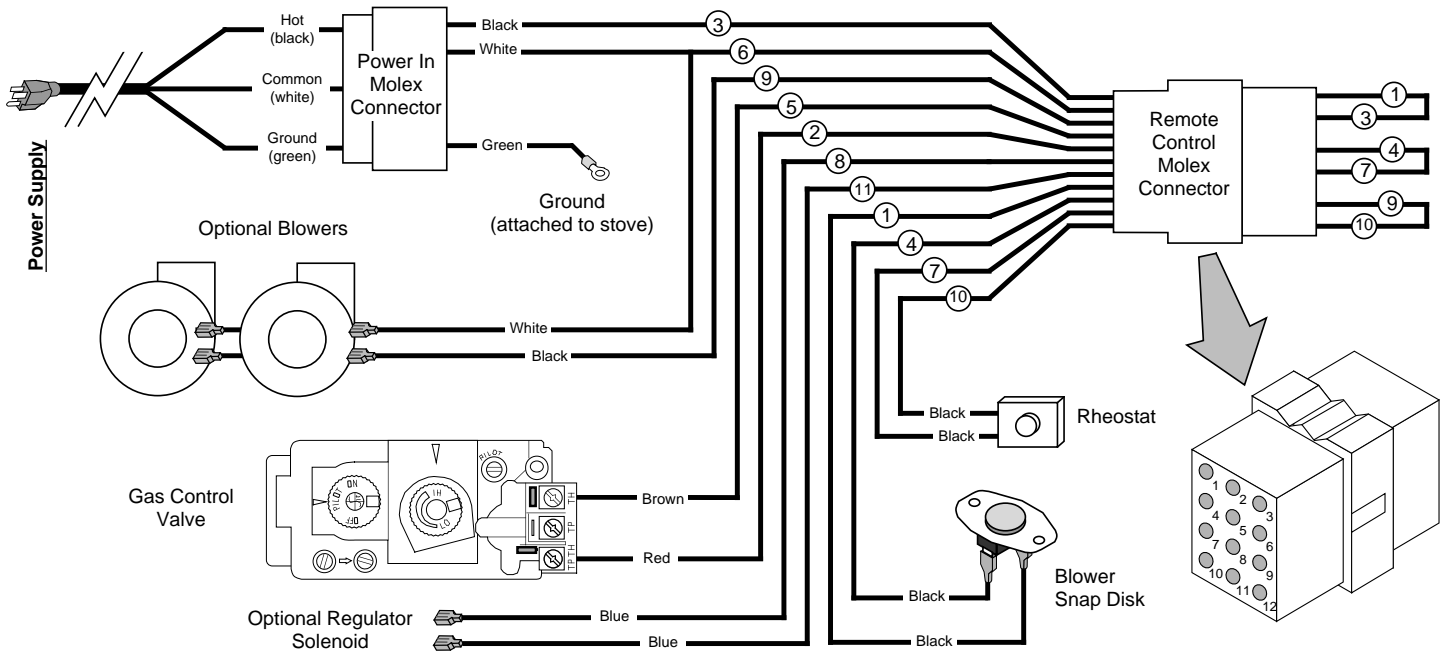


Do not connect 110-120 VAC to the gas control valve or wiring system of this fireplace.



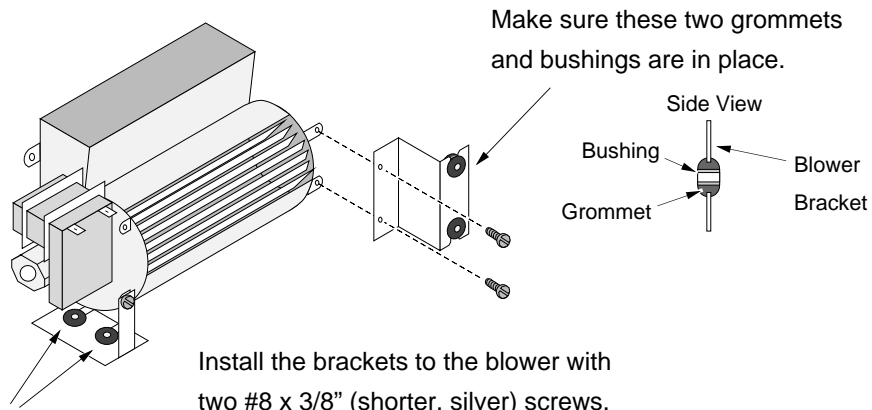
It is easier to install the blower prior to connecting the gas line.

Wiring Diagram - Blower Wiring Harness



Blower Installation

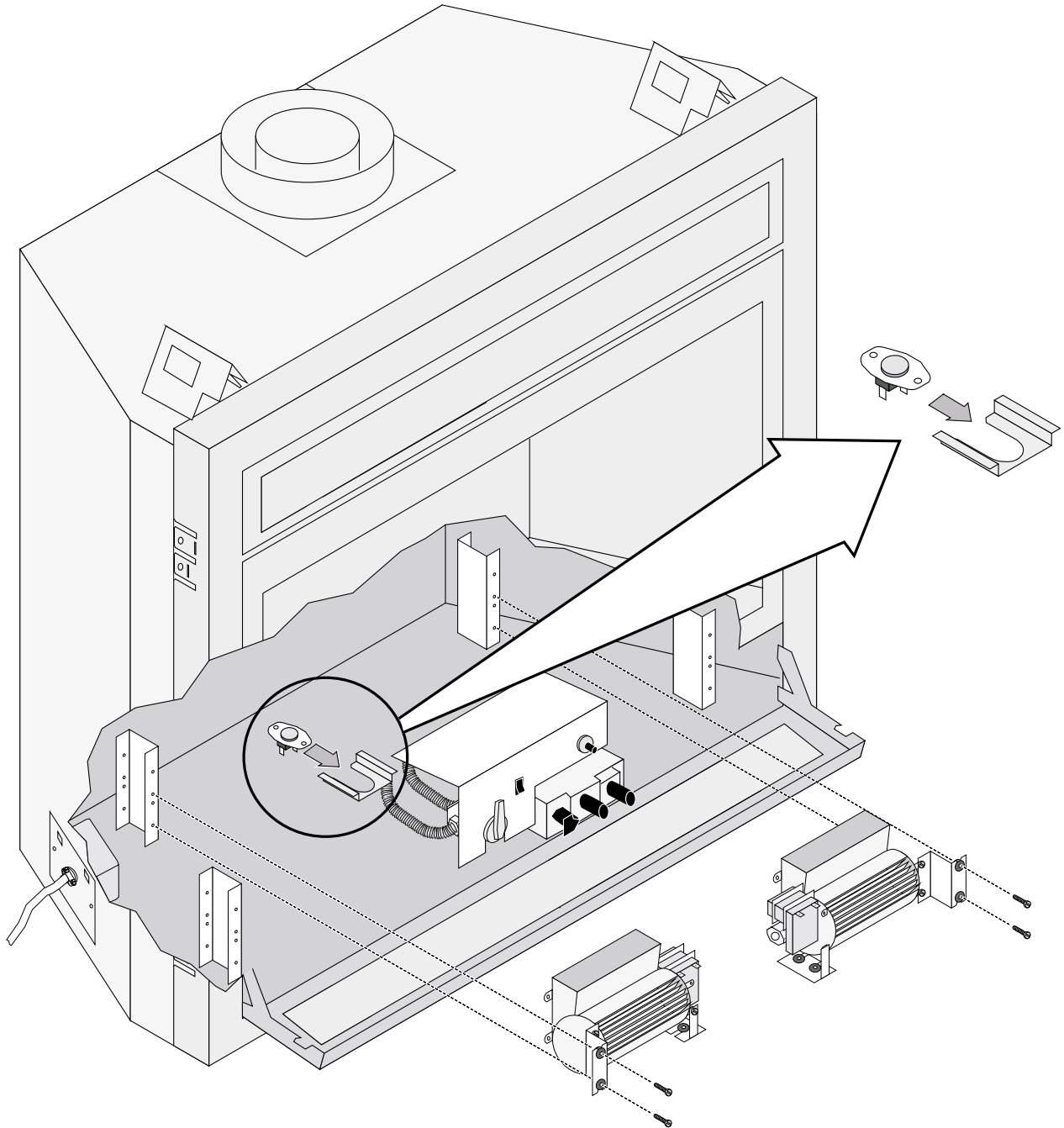
1. Attach the right side blower to a blower bracket following the directions below (note: newer blower kits are pre-assembled). Repeat for the left side blower.



Make sure these two grommets are in place (they insulate the fireplace from blower vibration)

2. Attach the blowers (use the #8 x 3/4" silver screws) and snap disc (see the directions below).

NOTE: Make sure the grommets (and bushings) stay in place while installing. The rubber grommets insulate the fireplace from any blower vibration (reducing noise).

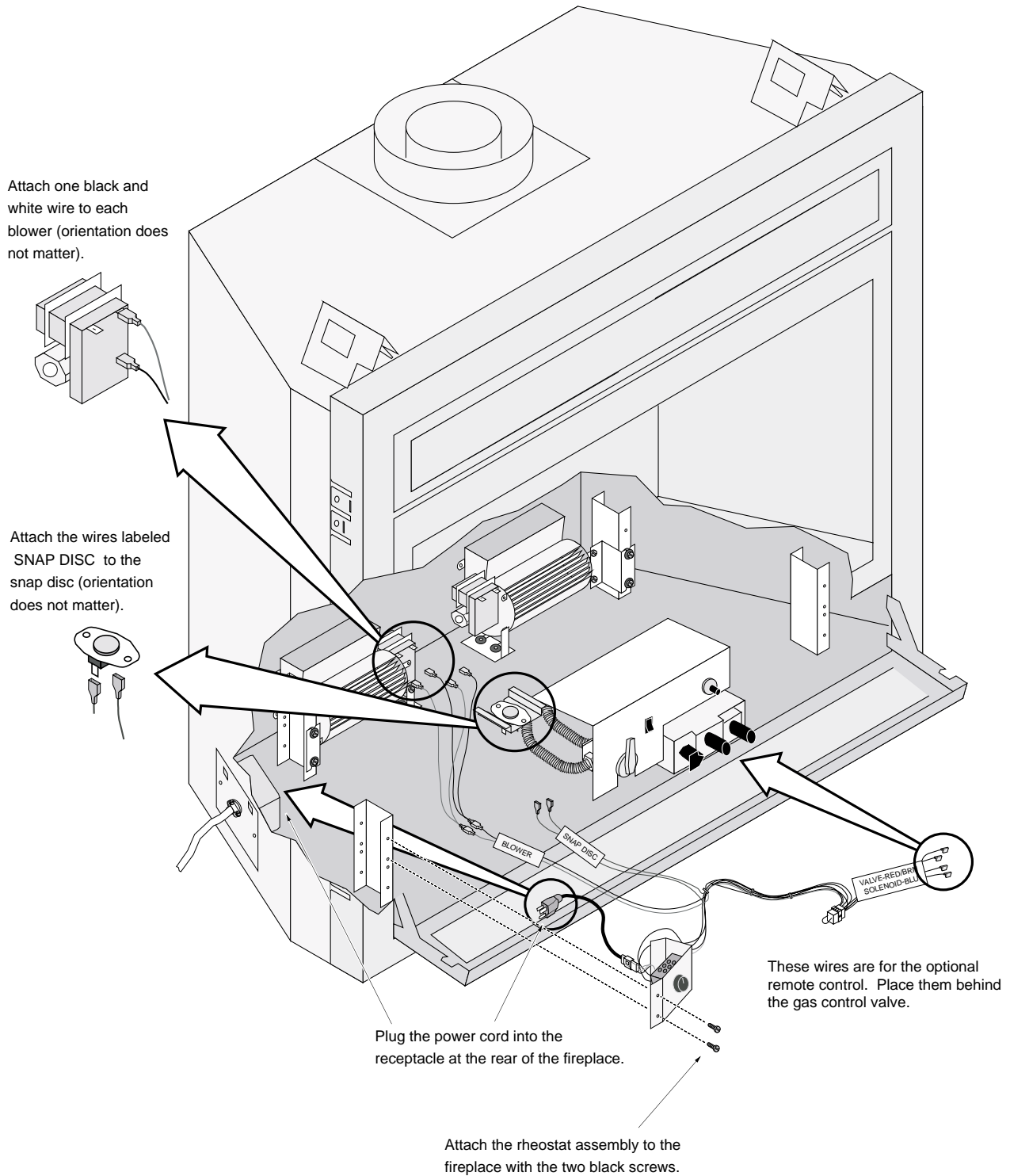


62 Optional Equipment (for qualified installers only)

3. Attach the wiring and rheostat assembly following the directions below.

NOTE: You may need to cut or adjust some of the lock ties on the wiring harness.

NOTE: Make sure wiring does not contact blower impellers or any hot surfaces. Use lock-ties if necessary.



4. Turn on power to the fireplace.

NOTE: To test the blower without turning on the fireplace, use a jumper wire to connect the two snap wires together (turn off power prior to connecting the jumper wire).

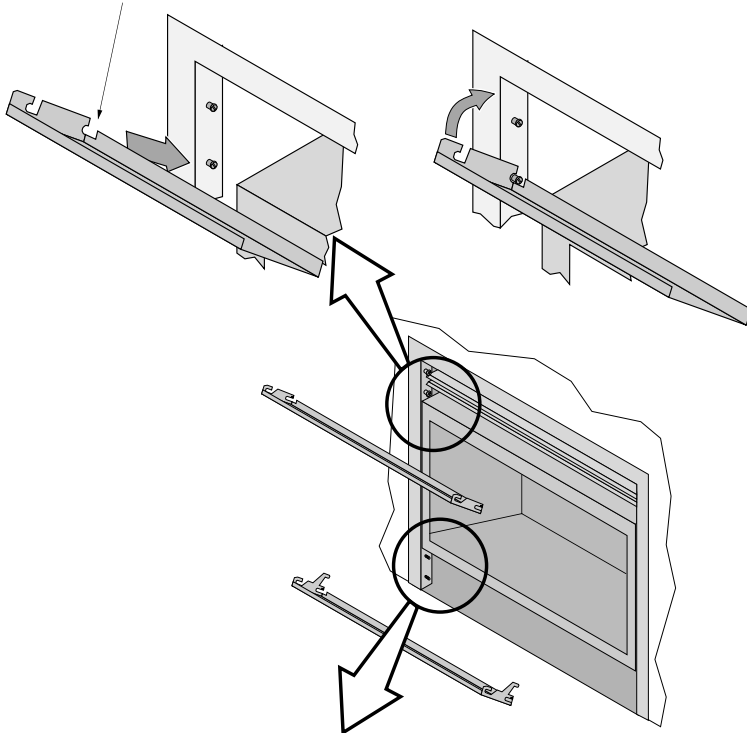
Grill Installation

Certain faces allow for installation of an upper and lower grill. Follow the directions below to install.

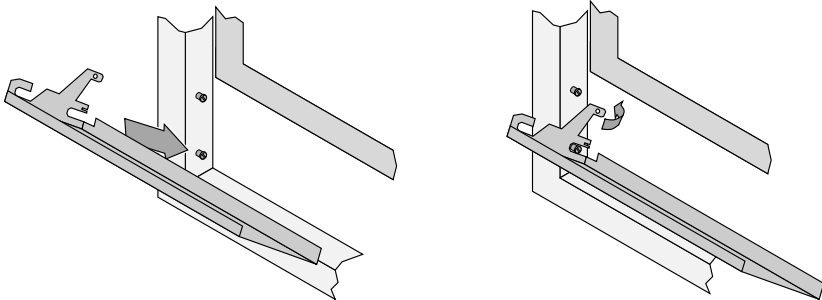
Upper Grill Installation (FPX and Avalon)

Hold the grill at an angle and insert the lower slot over the lower bushing on the fireplace (both sides)

Swing the grill upwards to engage the upper slot. You will need to lift the grill slightly to get it over the bushing. Once in place the grill is held in place by gravity.



Lower Grill Installation



Hold the grill at an angle and insert the lower slot over the bushing on the fireplace (both sides). You may need press on the grill to get the tab over the bushing (this prevents the grill from accidentally falling off).

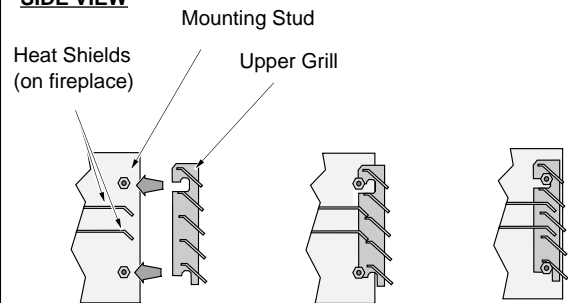
Bend the tab outward on both sides. This is the end-stop for the lower grill, it allows the grill to swing forward.

Swing the grill upwards to engage the upper slot. You will need to lift the grill slightly to get it over the bushing. Once in place the grill is held in place by gravity.

Upper Grill Installation (Lopi)

NOTE: The upper grill is difficult to install the first time - be patient, after you install it, you will know how it installs and it will be much easier the second time.

SIDE VIEW



Position the grill so the slots on the grill align with the mounting studs.

You may need to push in and upwards on the grill as it inserts.

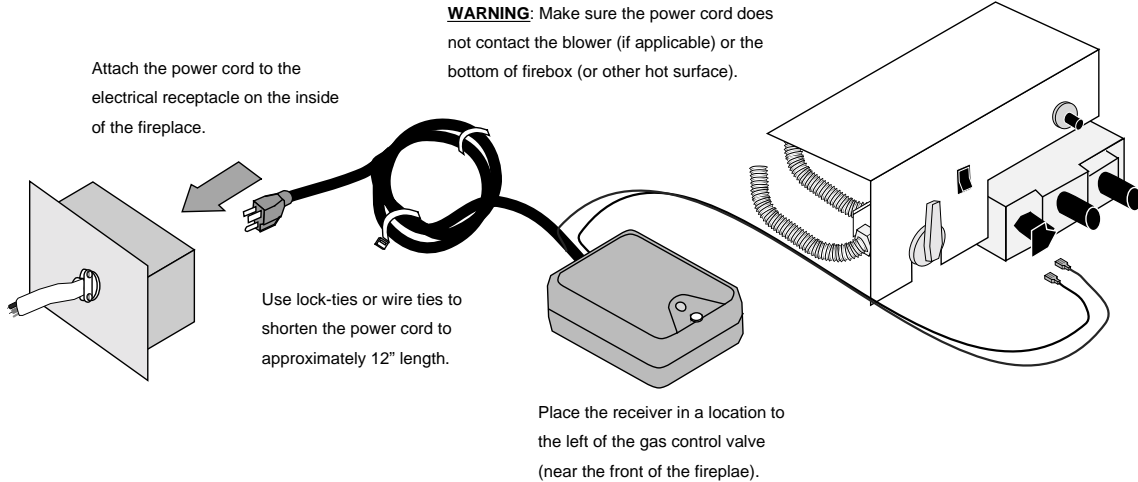
The grill, when fully inserted, will slide down and "click" into place.

64 Optional Equipment (for qualified installers only)

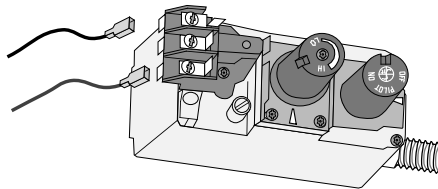
Remote Control Receiver Installation (2 Options)

The instructions below detail installation of the optional remote control receiver. For operating instructions, refer to the instructions included with the remote.

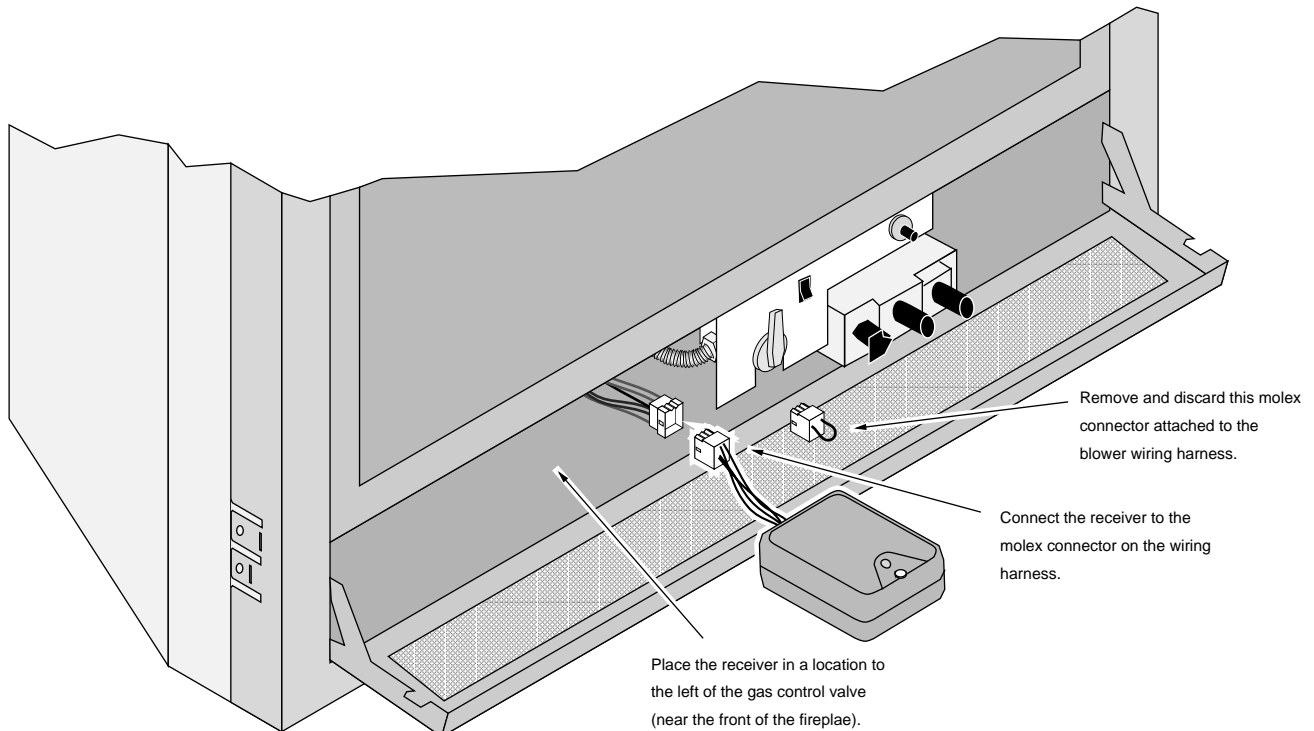
OPTION # 1 - Remote Thermostat (99300653)



Attach the two reciever wires to the top and bottom posts on the gas control valve (orientation does not matter).



OPTION # 2 - Remote Thermostat (99300677) - Requires the Optional Blower



Accent Light Installation 94400100



Make sure power to the fireplace has been turned off prior to installation (disable the service breaker).

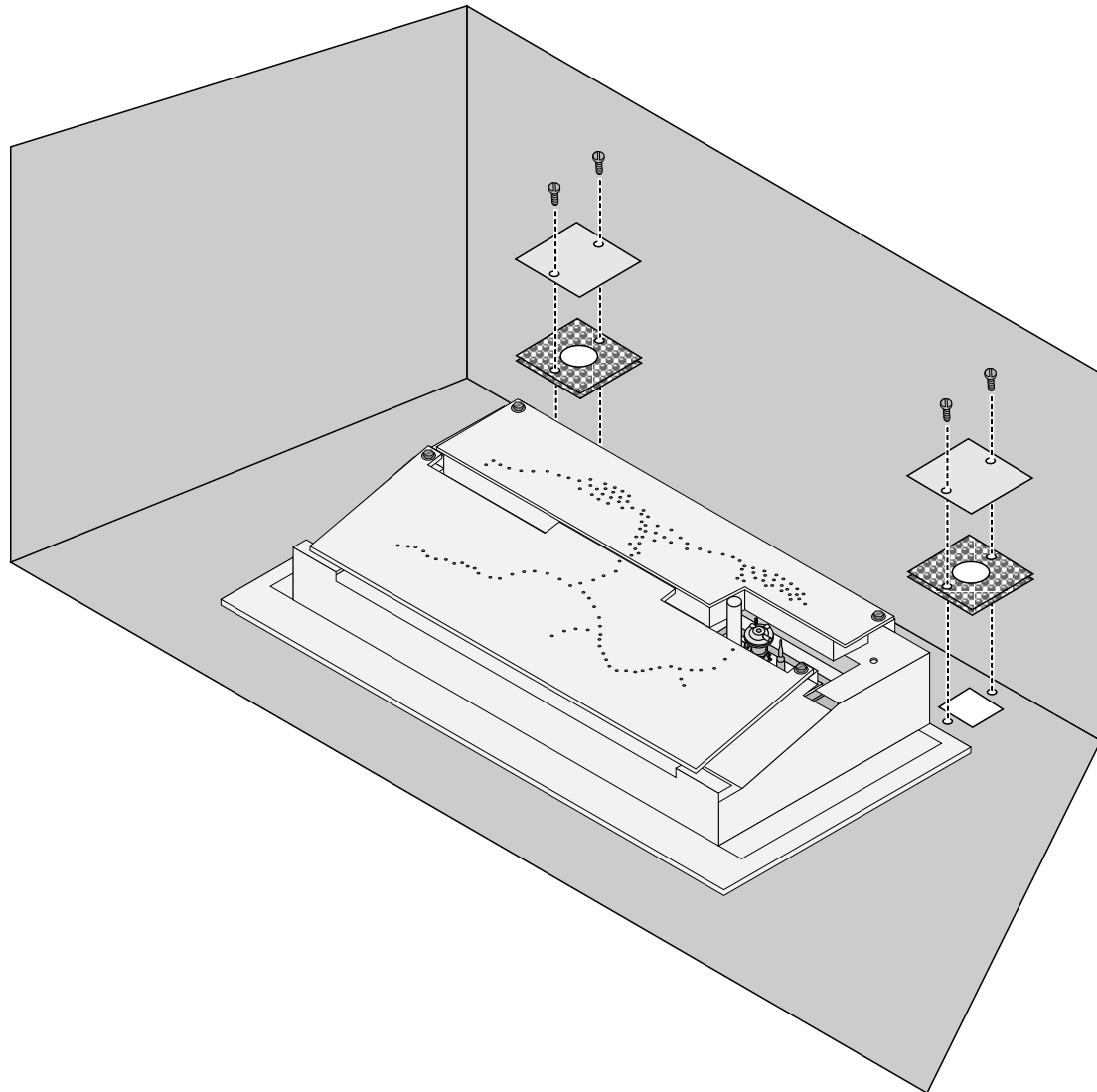


Do not connect 110-120 VAC to the gas control valve or the on/off circuit on this fireplace.



The accent light must be removed to install the rear fireback. The remaining firebacks are installed after the accent light is in place.

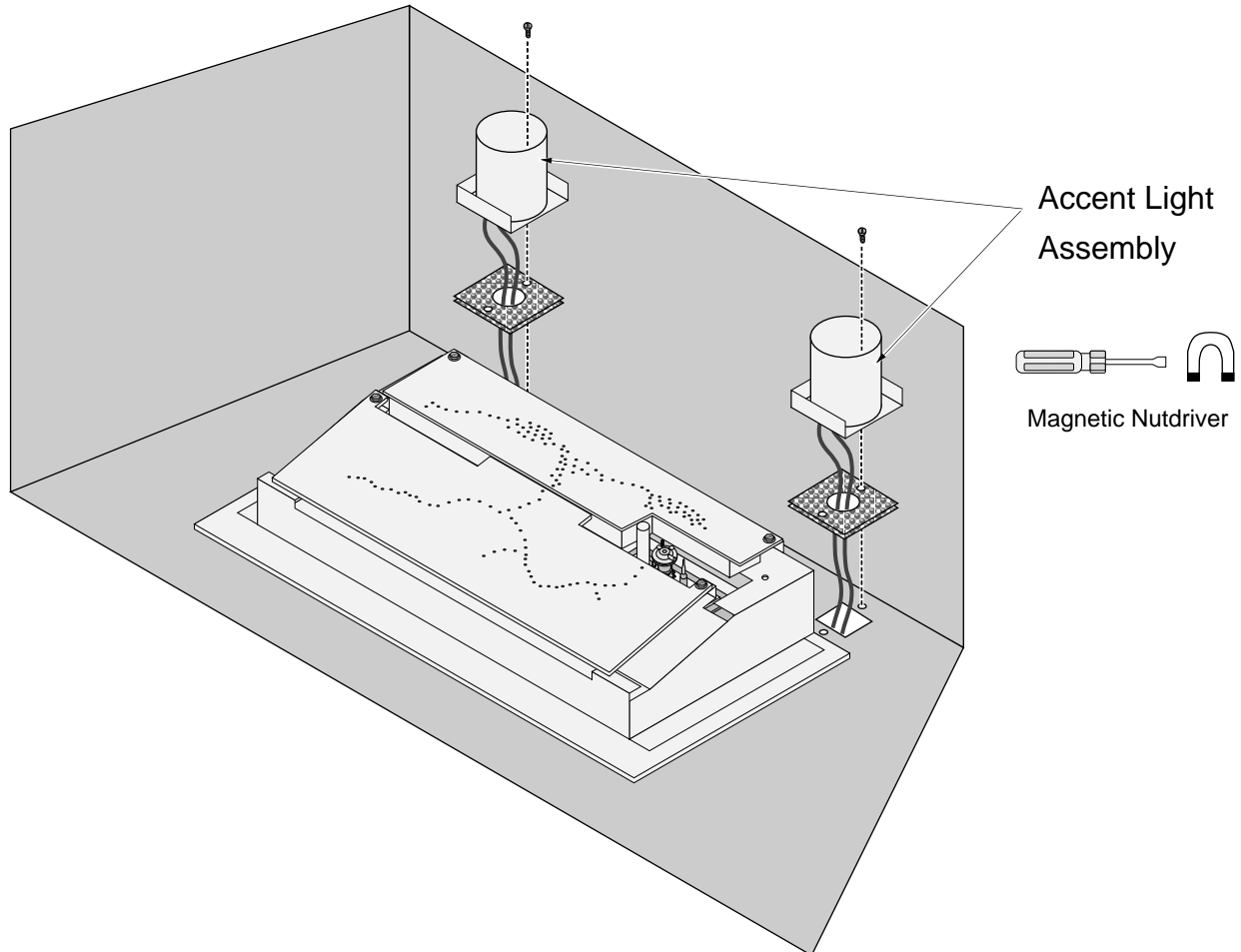
- 1 Remove the glass and logs from the fireplace.
- 2 Remove the accent light cover plates and gaskets.





If using the optional fireback, install the rear fireback at this time.

- 3 Insert the wires from the accent light through the gasket and firebox floor (both sides). Attach the accent light assembly to the firebox floor (both sides).



- 4 Restore the firebox to the correct configuration (replace the logs, glass, etc.).

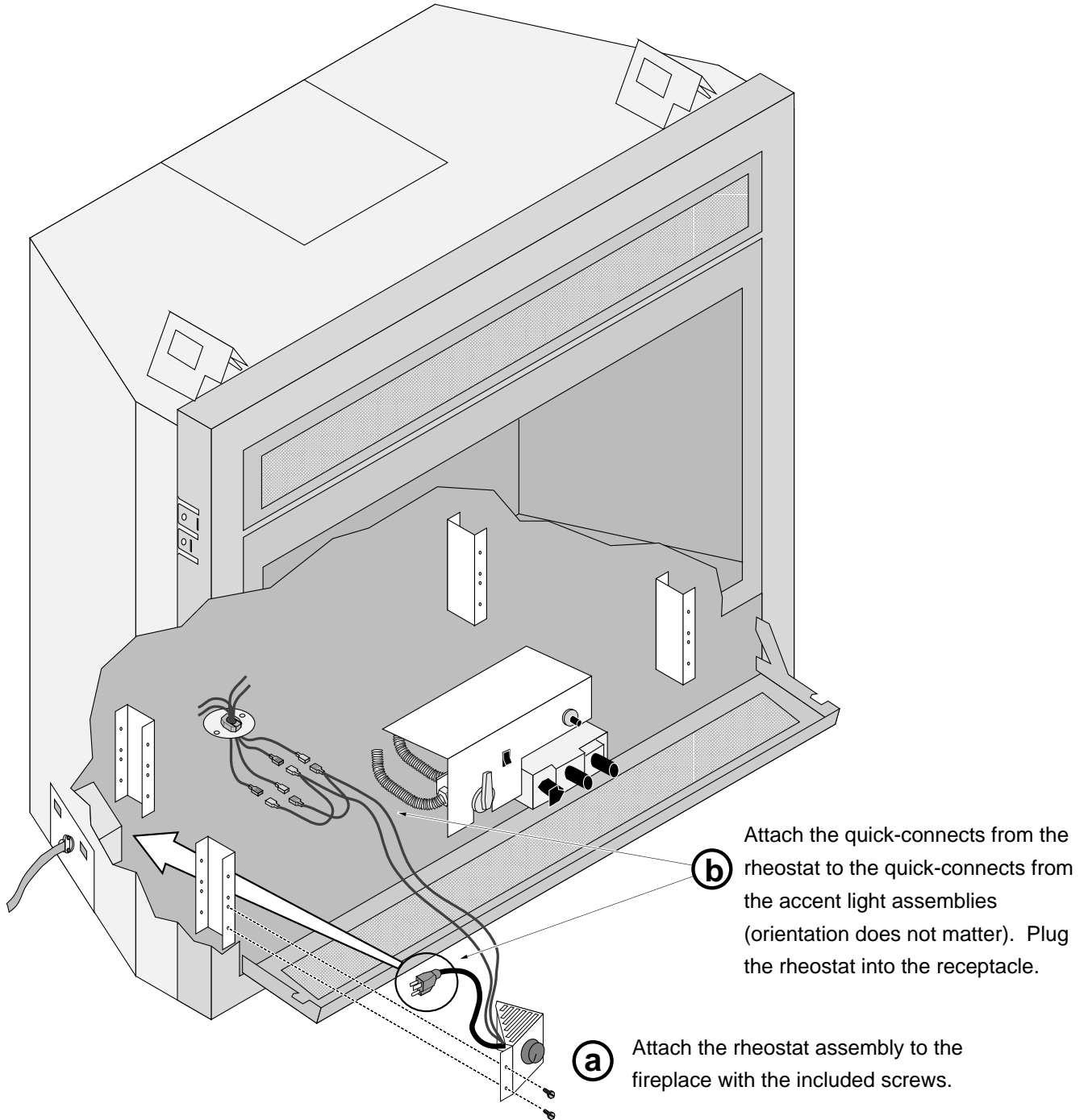


If using the optional fireback, install the side and floor firebacks at this time.



If using the optional wall-mounted rheostat, follow the directions on the following page "Wall Mounted Rheostat".

5 Install the rheostat assembly following the directions below.



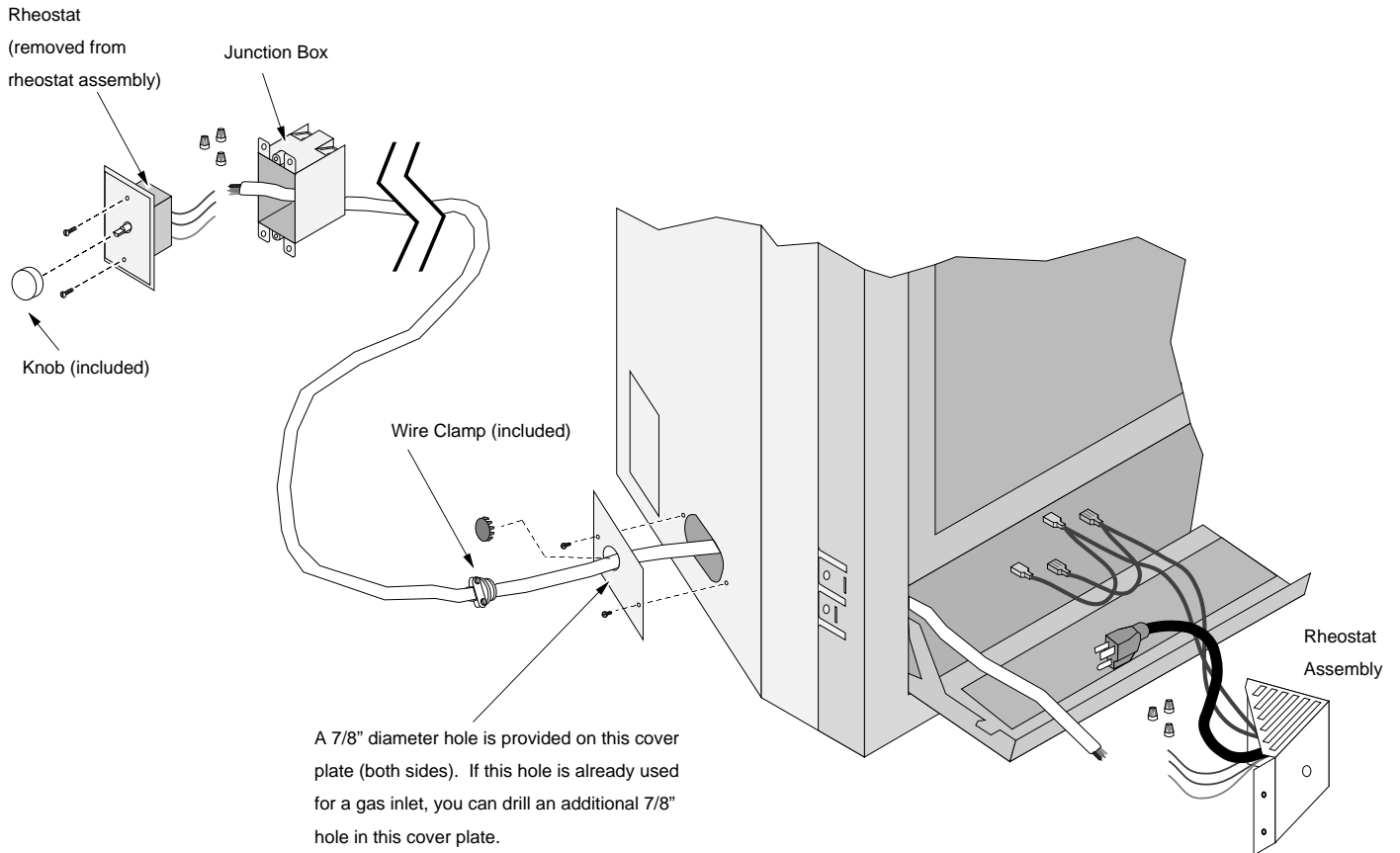
68 Optional Equipment (for qualified installers only)

Optional Wall-Mounted Rheostat



NOTE: Many areas require all wiring to be installed by a qualified electrician. Check with your local building official for any requirements in your area.

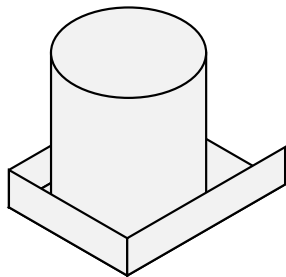
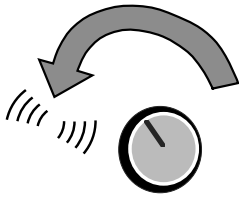
- 1 Remove the rheostat from the rheostat assembly.
- 2 Detach the three wires leading from the rheostat (secured with wire nuts). Attach the rheostat assembly to the fireplace (see the illustration on the previous page). Attach the quick connects from the rheostat to the quick connects from the accent light assemblies (see the illustration on the previous page).
- 3 Attach three suitable wires (insulated & sheathed) to the rheostat. Install the rheostat into a junction box at the remote location. Run the wire from the junction box to the fireplace. Use the included wire clamp to secure the wiring as it passes through the fireplace (see the illustration below).
- 4 Connect the three wires from the rheostat to the three wires on the wiring harness disconnected in step 2 (use the included wire nuts). Plug the rheostat assembly into the receptacle inside the fireplace.



Accent Light Operation

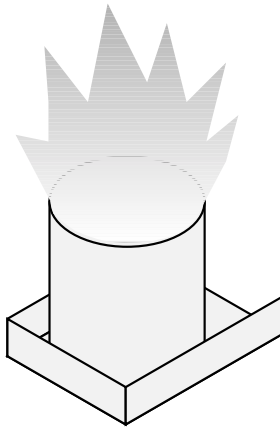
OFF

Turn the dial all the way counter-clockwise until it clicks off.



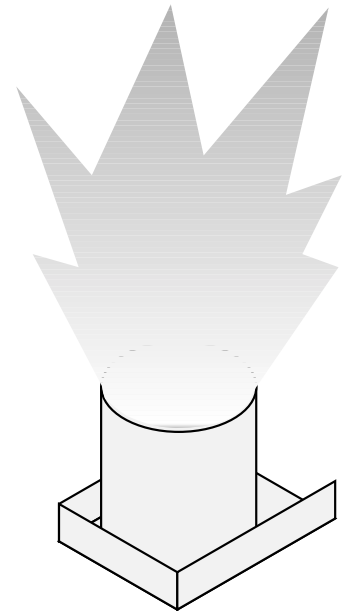
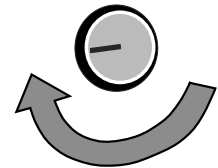
LOW

Turn the dial 180° clockwise until the light begins to glow.



HIGH

The high position is all the way clockwise.



NOTE: The accent light responds best when turned to high, then turned down to the desired light level.

Index

Additional Items Required	7	Minimum Framing Dimensions - Rear Vent Configuration	13
Air Shutter Adjustment	45	Minimum Framing Dimensions - Top Vent Configuration	14
Altitude Considerations	22	Nailing Brackets	15
Approved Vent Configurations	24	Overview	2
Approved Vent	23	Packing List	7
Clearances	12	Pilot Flame Inspection	44
Converting the Fireplace to Top Vent Configuration	10	Raised Fireplaces	12
Corner Installations - Rear Vent Configuration	16	Rear Vent Configuration with Horizontal Termination (no vertical rise)	27
Corner Installations - Top Vent Configuration	17	Rear Vent Configuration with Horizontal Termination (with vertical rise)	28
Diffuser Plate Adjustment	26	Rear Vent Configuration with Vertical Termination	29
Dimensions	6	Recommended Installation Procedure	7
Drywall Installation	34	Remote Control Receiver Installation (2 Options)	64
Electrical Connection (required)	20	Restrictor Position	24
Exhaust Restrictor Adjustment	24	Safety Precautions	4
Facing Overview	35	Starting the Pilot Flame	44
Facing Requirements	34	Steps for Finalizing the Installation	44
Features	6	Termination Requirements	32
Fireback Installation	59	Thick Facing Installation with FPX Arched Faces	39
Fireplace Placement Requirements	12	Thick Facing Installation	38
Fuel	18	Thin Facing Installation	36
Gas Inlet Pressure	18	Top Vent Configuration with Horizontal Termination	30
Gas Line Connection	18	Top Vent Configuration with Vertical Termination	31
Gas Line Location	18	Top Stand-Off Assembly	9
Gas Line Requirements	18	Vent Clearances	22
Glass Frame Removal and Installation	46	Vent Installation	23
Grill Installation	63	Vent Requirements	22
Hearth Requirements	33	Wall Switch Installation	21
Heating Specifications	6	Wall Switch or Thermostat Installation	21
Index	70	Wiring Diagram (Millivolt System)	21
Installation Example - Built-In with Horizontal Termination	43		
Installation Options	6		
Installation Overview	7		
Intake Restrictor Adjustment	25		
Listing Details	2		
Log Set Installation	48		
LP Conversion Instructions	48		
Mantel Requirements	41		