

Austroflamm Integra II / Visio / Premio Pellet Stoves  
User Control Panel Operating Guide



## BASIC OPERATION

**DO NOT start your stove until the venting installation is complete**

**NOTE:** Your pellet stove is exclusively for burning pellets made from wood of a controlled quality. Non-pelletized solid fuels (straw, corn, chopped matter, etc.) should not be used. Failure to adhere to these guidelines will void your warranty.

**NOTE:** When operated correctly, your pellet stove will not overheat. Improper operation can shorten the life expectancy of the stove and its components.

**ATTENTION:** Your stove's automatic ignition system will not work properly if either the hopper lid or combustion door are open.

### CONTROL UNIT PROGRAMMING AND FUNCTION

Your pellet stove is equipped with a modern programmable control board and control software. The owner can set all equipment functions via the control keypad which is found on the right hand side of the unit. The control board and software should only be altered by trained specialists. Improper or unauthorized changes to your stove, unless outlined in your owner's manual or this operating guide, will void your warranty.

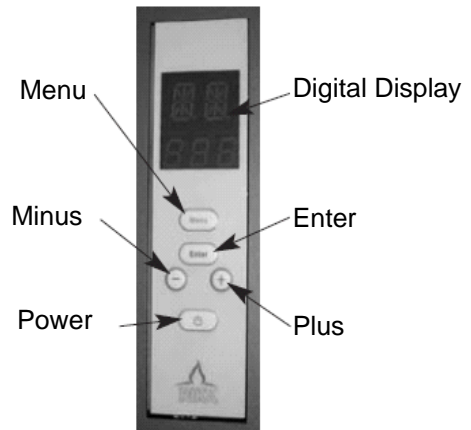
#### Possible Operating Modes

Pressing ENTER on the control panel enables the user to change between each of the three different operating modes.

- Manual Mode - press the power button to turn the unit on and off.
- Automatic or Timed Mode (TM) - runs according to a schedule that you determine.
- Standby Mode (SB) - waiting for you to change to one of the other two modes by pressing the "Enter" button on the key-pad. No function, other than programming, can occur in this mode.

### Control Keypad

All settings and functions can be regulated via this unit.



### DISPLAY BOX

Displays the operating modes in illuminated letters and numbers.

### MENU

Used for navigation in and to the different menu and sub-menu levels.

### ENTER

Used for navigation through the main menus (SB, ON, TM) and for confirming user entries.

### MINUS & PLUS

Used for lowering or increasing heat output levels and for changing program values.

### POWER

Used for turning the unit on and off.

### TURNING YOUR STOVE ON AND OFF

To operate your stove manually, place it into manual mode (see the "POSSIBLE OPERATING MODES" section).

Once in manual mode, the stove is turned on and off by pressing the power button. Heat output is controlled by pressing the "+" and "-" buttons.

Your RIKA pellet stove is equipped with an electronic ignition start-up system. Starter fluids or gels are not necessary and should never be used. Simply push the power button and the unit will ignite within a 12-minute period of time. Total start-up cycle time is 21 minutes.

## STARTING / PROGRAMMING THE CONTROL

When the hopper is filled for the first time or if it is allowed to run empty, it can take up to two full start-up cycles for pellets to feed sufficiently into the burn pot.

Under these circumstances the stove may shut-down and display ER0, ERR or ERR/CL at the end of the start-up cycle. Re-start the stove and the feed rate should return to normal.

### Initial Startup

Verify that there are pellets in the hopper, that the burn pot is empty and seated properly, and that the unit is plugged into a 110v grounded outlet.

SB

Press the "ON/OFF" button. If the stove has never been turned on before, the display should read "SB".

**NOTE:** Your stove can be programmed while in any of the three modes. If it does not display "SB" in the display at this point, simply continue on to the next step.

**NOTE:** Your stove may turn on at this point.

You may now program your unit for your individual needs. You can set up to two start-up / shut-down cycles for each day of the week.

**NOTE:** When in programming mode, if no change is needed on a particular setting simply press enter to advance to the next setting.

MO

Press the "MENU" button. The display should read "MO" for Monday.

S1  
6

Press the "ENTER" button. The display should read "S1" for the first heating period on Monday, the number represents the start time. Change the time by pressing the "+" or "-" keys. Confirm by pressing "ENTER".

**NOTE:** Start and end times are in military format (displays as 0 for midnight through 23 for 11pm).

E1  
8

The display should now read "E1" for the ending time of the first heating period on Monday. Change the time by pressing the "+" or "-" keys. Confirm by pressing

S2  
16

The display should now read "S2" for the second heating period on Monday. Change the time by pressing the "+" or "-" keys. Confirm by pressing "ENTER".

E2  
20

The display should now read "E2" for the end time of the second heating period on Monday. Change the time by pressing the "+" or "-" keys. Confirm by pressing "ENTER".

MO

The display should now read "MO".

TU

Press "MENU". The display should now read "TU" for Tuesday.

Repeat the prior steps to set the start and end times for each day of the week. "WE" Wednesday, "TH" Thursday, "FR" Friday, "SA" Saturday, "SU" Sunday.

PS  
75

After entering the "E2" value for Sunday, press "MENU" and the display should read "PS".

"PS" represents the percentage of heat output that you want your stove to operate at when it is scheduled to be on (0% to 100%). 0% maintains flame with minimal heat, 100% produces maximum heat output.

Change the output setting by pressing the "+" or "-" keys. Confirm by pressing "ENTER".

PE  
OFF

The display should now read "PE" for Power End. This represents the output level **between** the pre-programmed heating cycles that you just defined. In other words, what power level should the stove operate at between the end time of one cycle, and the start time of the next cycle.

Use the "+" or "-" keys to choose any level between 0% and 100%, or you can choose for your unit to turn off between cycles. Confirm your setting by pressing "ENTER".

## PROGRAMMING THE CONTROL

**CF**  
100 After pressing enter on the “PE” output setting, the display should read “CF” which represents the convection fan speed increase over normal. With this setting, the user has the option to increase the pre-set output of the convection fan. (**note:** this function only available in software v1.33 and higher)

The range is 100 to 150, where 100 (100%) stands for the software controlled normal convection fan operation based upon selected heat output level.

The convection fan can be increased up to 150% of normal operation and will maintain at that setting until changed again by the user.

**FU**  
1 The display should now read “FU” after pressing enter on the “CF” convection fan speed setting; the number represents the current “fuel use” setting. (**note:** this function only available in software v1.33 and higher)

The user has the option to select a second configuration profile to facilitate the use of lower grade fuel, or for installations where additional combustion fan speed is needed. Available values are 1 (default) or 2.

**CL**  
60 After pressing enter on the “FU” fuel use setting, the display should read “CL”. The number represents how often in minutes the cleaning cycle should activate. Change by pressing the “+” or “-” keys. Press “ENTER” to confirm.

The factory setting is every 60 minutes under the FU1 setting, and every 45 minutes under the FU2 setting. The schedule can be set to run anywhere from 0, which is never (not recommended), or any frequency between every 5 and 300 minutes.

The frequency of how often the cleaning cycle should run will vary depending upon pellet quality, heat output settings, availability of outside air, and the natural ventilation of your home.

**VU**  
1.35 The display should now read “VU” after pressing enter on the “CL” cleaning cycle setting; the number represents the current version of the control software on your stove.

The software version of your stove will vary depending upon date of manufacture.

**H**  
13 Press “ENTER” again and the display should read “H” for the current hour in military format. Set the current hour by pressing the “+” or “-” keys. Press “ENTER” to confirm.

**M**  
47 The display should now read “M” for the current time in minutes. Change by pressing the “+” or “-” keys. Press “ENTER” to confirm.

**D**  
3 The display should now read “D” for the current day. 1=Monday, 2=Tuesday, etc. Change by pressing the “+” or “-” keys. Press “ENTER” to confirm.

Press “MENU” to exit programming mode.

At the completion of the above steps, your stove will be programmed to run according to the schedule and settings you established.

You can change your programmed settings at any time by repeating the steps outlined in this manual.

**NOTE:** Although you may have programmed an operating schedule for your stove, that schedule will not be activated until your stove is put into the Timed or Automatic Mode (TM) as described on page 20.

**NOTE:** It is not mandatory that you program a schedule for your stove. The option exists for your convenience.

If you choose not to establish an operating schedule, your stove can be operated manually. In manual mode you turn it on/off by pressing the power button, and increase/decrease heat output by pressing the “+” or “-” buttons on the control keypad.

## PROGRAMMING THE CONTROL

---

If you intend to operate your stove manually, set it to the manual mode by pressing the ENTER button until the display no longer reads either “SB” or “TM”.

During start-up, the stove will read “ST” on the first display line, and “21” on the second display line. “ST” stands for start-up and “21” is the remaining start-up time in minutes (the time display will decrease as the start-up progresses).

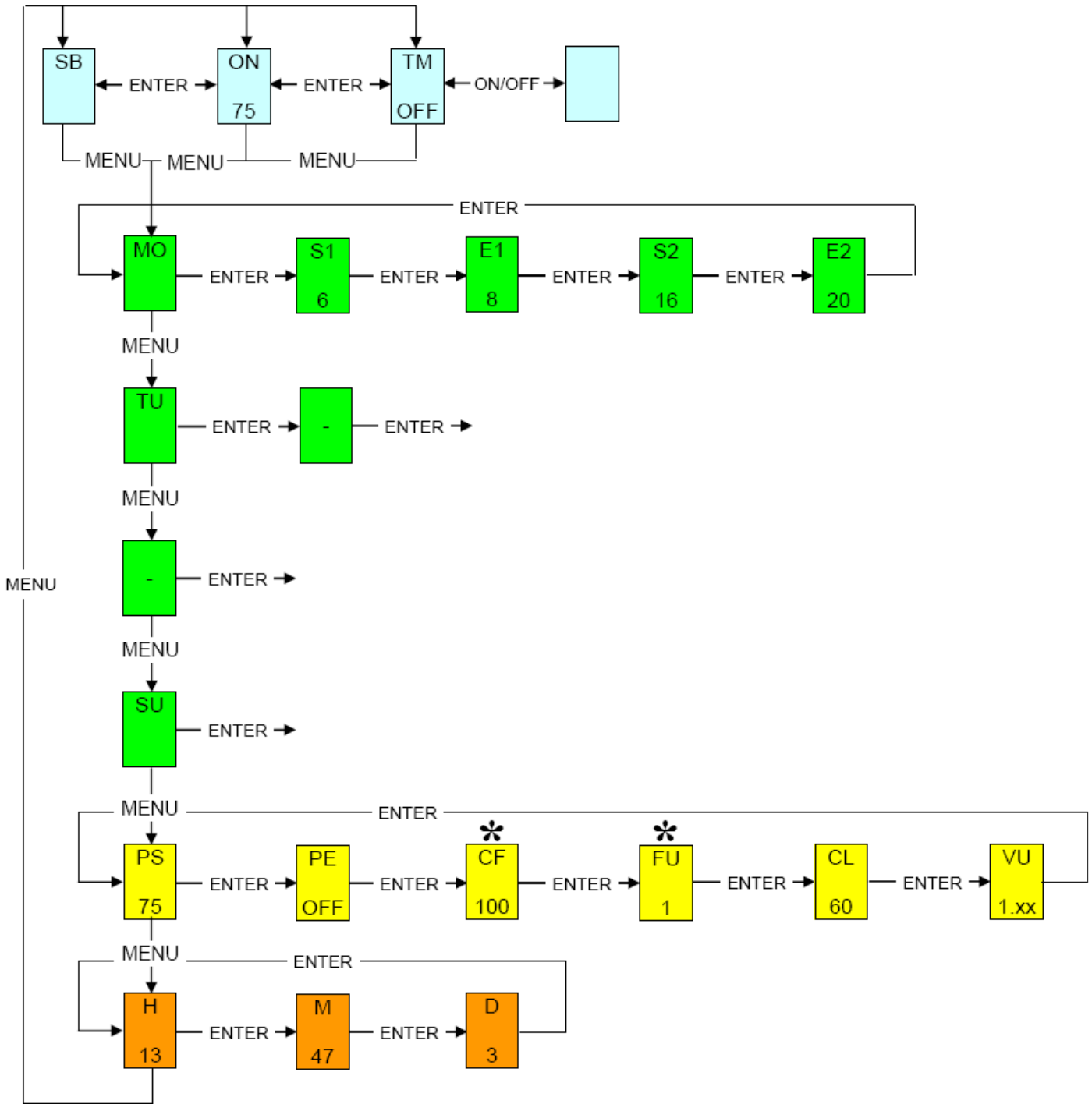
During the start-up cycle, only the auger and combustion fan operate with the combustion fan gradually increasing in speed. The convection fan will turn on at the end of the start-up cycle.

**NOTE:** As long as the stove is running, whether in the start-up mode, cleaning cycle, in normal operation, or while operating under the timed mode, you can increase or decrease the heat output level at any time by pressing the “+” or “-” keys.

If the stove needs to be turned off at any time, push the ON/OFF button and the stove will immediately begin the shut-down process. Complete shut-down takes a total of eight minutes. The stove may remain hot for several hours after turning off.

If the stove is running in timed mode when the power button is pushed, the schedule will resume at the next programmed interval.

# CONTROL FLOW CHART



\*CF and FU functions are available in software v1.33 or higher

## KEYWORD / ABBREVIATIONS LIST

Key word / Abbreviation	Name	Description
SB	Standby-Mode	Standby mode (fire switched off, but active for triggering via the control)
CF	Convection Fan Combustion Fan	Convection fan speed increase setting over normal or reference to either the combustion or convection fan
FU	Fuel Use Type	Configuration profile to facilitate the use of lower grade fuel, or for installations where additional combustion fan speed is needed. 1 (default) or 2
ON	On-Mode	Manual operation
TM	Time-Mode	Automatic Operation used in conjunction with an established schedule
MO, TU, WE, TH, FR, SA, SU	Weekdays	Monday to Sunday
S1, S2 E1, E2	Start 1, Start 2 End 1, End 2	Heating start times, heating end times for automatic (TM) mode
PS	Power-Start	Output value from the beginning of heating time in TM-Mode
PE	Power-End	Output value from the end of heating in TM-Mode
CL	Clean	Cleaning mode
VU	Version	Pellet control software version (varies depending upon purchase date)
H, M, D	Hour, Minute, Day	Hour, minute, day memory for internal clock (in military format)
ST	Start	Pre-heating / startup program run
EX	Exit	Exit program running
MENU	Menu Button	Navigation in and to the different sub-menu levels.
ENTER	Enter Button	Navigation in the main menus (SB, ON, TM) and confirming user entry
+/-	Plus & Minus Buttons	Increases and decreases user values
ON/OFF	ON / OFF Button	Turns the system on and off

# USER NOTES

---

This page is provided for your use to record your Time Mode (TM) schedule and other operating notes or observations.

## My Heating Schedule

<u>Day</u>	<u>1<sup>st</sup> Heating Cycle</u>		<u>2<sup>nd</sup> Heating Cycle</u>	
	<u>(S1)</u>	<u>(E1)</u>	<u>(S2)</u>	<u>(E2)</u>
Monday	Start _____	End _____	Start _____	End _____
Tuesday	Start _____	End _____	Start _____	End _____
Wednesday	Start _____	End _____	Start _____	End _____
Thursday	Start _____	End _____	Start _____	End _____
Friday	Start _____	End _____	Start _____	End _____
Saturday	Start _____	End _____	Start _____	End _____
Sunday	Start _____	End _____	Start _____	End _____

**Power Setting (PS)** \_\_\_\_\_ (output to use during above schedule heating times)

**Power End (PE)** \_\_\_\_\_ (output to use between above scheduled heating times)

**\*Convection Fan (CF)** \_\_\_\_\_ (increase over normal – up to 150%)  
\* this function only available in software v1.33 and higher

**\*Fuel Type (FU)** \_\_\_\_\_ (use FU2 for altitude above 2000ft and/or direct vent installations)  
\* this function only available in software v1.33 and higher

**Cleaning Cycle (CL)** \_\_\_\_\_ (cleaning cycle frequency – FU1 default is 60, FU2 default is 45)

**Software Version (VU)** \_\_\_\_\_ (minimum US version is 1.28)

## Other Notes

---

---

---

---

---

---

---

---

---

---





