



- Direct Vent Freestanding Stove
- Natural Gas or Propane
- Vent Horizontally or Vertically
- Standard Residential
- Mobile Home Approved

Tested and Listed by



OMNI-Test Laboratories, Inc.  
Beaverton, Oregon  
Report # 028-S-55-5  
ANSI Z21.88

Featuring the  Burner

**WARNING:** If the information in these instructions is not followed exactly, a fire or explosion may result causing property damage, personal injury or loss of life.

- Do not store or use gasoline or other flammable vapors and liquids in the vicinity of this or any other appliance.

#### WHAT TO DO IF YOU SMELL GAS

- Do not try to light any appliance.
- Do not touch any electrical switch; do not use any phone in your building.
- Immediately call gas supplier from a neighbor's phone. Follow the gas supplier's instructions.
- If you cannot reach your gas supplier, call the fire department.
- Installation and service must be performed by a qualified installer, service agency or the gas supplier.

This appliance may be installed in an aftermarket permanently located, manufactured home (USA only) or mobile home, where not prohibited by local codes.

This appliance is only for use with the type of gas indicated on the rating plate. This appliance is not convertible for use with other gases unless a certified kit is used.

## Sweet Dreams Manual

**Installer:** After installation give this manual to the home-owner and explain operation of this heater.

© Copyright 2005, T.I. \$10.00 100-01155 4040903



TRAVIS INDUSTRIES  
HOUSE OF FIRE  
4800 Harbour Pointe Blvd. SW  
Mukilteo, WA 98275

## ***Introduction***

---

We welcome you as a new owner of a Lopi Sweet Dreams stove. In purchasing a Sweet Dreams you have joined the growing ranks of concerned individuals whose selection of an energy system reflects both a concern for the environment and aesthetics. The Sweet Dreams is one of the finest home heaters the world over. This manual will explain the installation, operation, and maintenance of this stove. Please familiarize yourself with the Owner's Manual before operating your heater and save the manual for future reference. Included are helpful hints and suggestions that will make the operation and maintenance of your new stove an easier and more enjoyable experience. We offer our continual support and guidance to help you achieve the maximum benefit and enjoyment from your heater.

## ***Important Information***

---

No other Sweet Dreams Stove has the same serial number as yours. The serial number is on the listing plate chained to the gas control valve.

This serial number will be needed in case you require service of any type.

Model: Lopi Sweet Dreams Stove

Serial Number: \_\_\_\_\_

Purchase Date: \_\_\_\_\_

Purchased From: \_\_\_\_\_

\_\_\_\_\_

\_\_\_\_\_

\_\_\_\_\_

### **Mail your Warranty Card Today, and Save Your Bill of Sale.**

To receive full warranty coverage, you will need to show evidence of the date you purchased your heater. Do not mail your Bill of Sale to us.

We suggest that you attach your Bill of Sale to this page so that you will have all the information you need in one place should the need for service or information occur.

**NATIONAL  
FIREPLACE  
INSTITUTE**



**CERTIFIED**  
[www.nficertified.org](http://www.nficertified.org)

We suggest that our gas hearth products be installed and serviced by professionals who are certified in the U.S. by the National Fireplace Institute® (NFI) as NFI Gas Specialists.

## **Introduction**

Introduction & Important Information.....2

## **Safety Precautions**

Safety Precautions .....4

## **Features & Specifications**

Features .....6  
 Installation Options.....6  
 Heating Specifications.....6  
 Dimensions.....6

## **Installation**

Installation Warning.....7  
 Packing List.....7  
 Additional Items Required for Installation.....7  
 Installation Overview.....7  
 Installation Hints.....8  
 Stove Clearances .....8  
 Mobile Home Requirements.....8  
 Heater Placement Requirements.....9  
 Floor Protection Requirements.....9  
 Gas Line Installation.....10  
 Vent Requirements.....11  
     Altitude Considerations .....11  
     Vent Clearances .....11  
     Part Numbers for 8" Vent.....12  
     Vent Installation.....12  
 Approved Vent Configurations.....13  
     Restrictor Position.....13  
     Diffuser Plate .....13  
     Vertical Terminations .....14  
     Horizontal Terminations – LP (Propane) .....15  
     Horizontal Terminations – NG (Natural Gas) ..16  
     Horizontal Term. with 45° Elbow (NG or LP) ...17  
 Vent Termination Requirements .....18

## **Finalizing the Installation**

Stove Top and Face Removal .....19  
 Glass Frame Removal.....20  
 Log Installation.....22  
 Purge Gas & Leak Test .....24  
 Pilot Adjustment (if necessary).....24  
 Air Shutter Adjustment (if necessary).....24  
 Check Flame.....25  
 Explain Operation to Home Owner .....25

## **Operation**

Before You Begin.....26  
 Location of Controls .....26  
 Starting The Pilot .....27  
 Starting the Stove for the First Time.....28  
 Turning the Stove On and Off .....28  
 Adjusting the Flame Height.....28  
 Adjusting the Blower Speed (optional) .....29  
 Normal Operating Sounds.....29  
 Normal Operating Odors.....29

## **Maintenance**

Maintaining Your Stove's Appearance.....30  
 Yearly Service Procedure.....30  
 Troubleshooting Table.....31  
 How this Stove Works.....32  
     What Turns the Main Burners On and Off.....32  
     What Prevents Gas Buildup.....32  
 Wiring Diagram .....33  
 Replacement Parts List.....33

## **Safety Label**

Safety (Listing) Label.....34

## **Warranty**

Warranty.....35

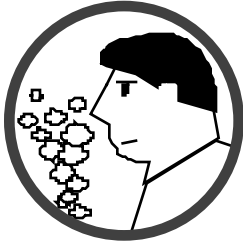
## **Optional Equipment**

Optional Accessories .....36  
 LP Conversion Kit .....37  
 Blower .....40  
 Leg Mounting Kit.....43

## **Index**

Index.....44

# Safety Precautions



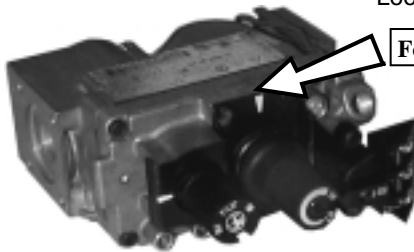
## • IF YOU SMELL GAS:

- \* Do not light any appliance
- \* Extinguish any open flame
- \* Do not touch any electrical switch or plug or unplug anything
- \* Open windows and vacate building
- \* Call gas supplier from neighbor's house, if not reached, call fire department



- This unit must be installed by a qualified installer to prevent the possibility of an explosion. Your dealer will know the requirements in your area and can inform you of those people considered qualified. The room heater should be inspected before use and at least annually by a qualified service person. More frequent cleaning may be required due to excessive lint from carpeting, bedding material, etc.
- The instructions in this manual must be strictly adhered to. Do not use makeshift methods or compromise in the installation. Improper installation will void the warranty and safety listing.

Look for this label:



**For LPG only | Pout 11" W.C.**

If the label is present, the heater is equipped for LP (propane). If the label is absent, the heater is equipped for NG (natural gas).

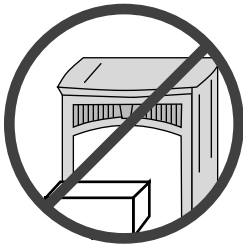
- This heater is either approved for natural gas (NG) or for propane (LP or LPG). Burning the incorrect fuel will void the warranty and safety listing and may cause an extreme safety hazard. Direct questions about the type of fuel used to your dealer. Check for the label shown to the right.



- Contact your local building officials to obtain a permit and information on any installation restrictions or inspection requirements in your area. Notify your insurance company of this heater as well.



- If the flame becomes sooty, dark orange in color, or extremely tall, do not operate the heater. Call your dealer and arrange for proper servicing.



- It is imperative that control compartments, screens, or circulating air passageways of the heater be kept clean and free of obstructions. These areas provide the air necessary for safe operation.



- Do not operate the heater if it is not operating properly in any fashion or if you are uncertain. Call your dealer for a full explanation of your heater and what to expect.



- Do not store or use gasoline or other flammable liquids in the vicinity of this heater.



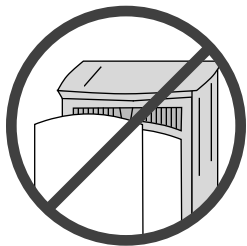
- Do not use this appliance if any part has been under water. Immediately call a qualified service technician to inspect the appliance and to replace any part of the control system and any gas control which has been under water.



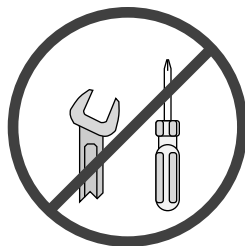
- Do not place clothing or other flammable items on or near the heater. Because this heater can be controlled by a thermostat there is a possibility of the heater turning on and igniting any items placed on or near it.



- Light the heater using the built-in piezo igniter. Do not use matches or any other external device to light your heater.
- Never remove, replace, modify or substitute any part of the heater unless



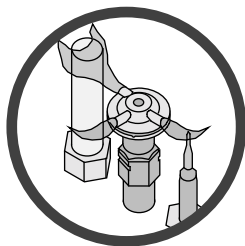
- The viewing glass should be opened only for lighting the pilot or conducting service. Do not operate with cracked, broken, or removed glass.
- Any safety screen or guard removed for servicing must be replaced prior to operating the heater.



- instructions are given in this manual. All other work must be done by a trained technician. Don't modify or replace orifices.
- Allow the heater to cool before carrying out any maintenance or cleaning.



- Operate the heater according to the instructions included in this manual.
- If the main burners do not start correctly turn the gas off at the gas control valve and call your dealer for service.



- The pilot flame must contact the thermopile and thermocouple (see the illustration to the left). If it does not, turn the gas control valve to "OFF" and call your dealer.



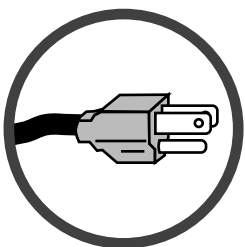
- This unit is not for use with solid fuel
- Do not place anything inside the firebox (except the included fiber logs).
- If the fiber logs become damaged, replace with Travis Industries log set.



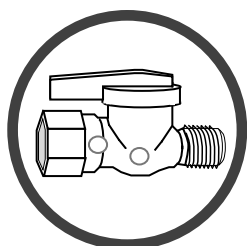
- Do not throw this manual away. This manual has important operating and maintenance instructions that you will need at a later time. Always follow the instructions in this manual.



- Children and adults should be alerted to the hazards of high surface temperature and should stay away to avoid burns or clothing ignition. Young children should be supervised when they are in the same room as the heater.



- Plug the heater into a 120V grounded electrical outlet. Do not remove the grounding plug.
- Don't route the electrical cord in front of, over, or under the heater



- Instruct everyone in the house how to shut gas off to the appliance and at the gas main shutoff valve. The gas main shutoff valve is usually next to the gas meter or propane tank and requires a wrench to shut off.



- Travis Industries, Inc. grants no warranty, implied or stated, for the installation or maintenance of your heater, and assumes no responsibility of any consequential damage(s).**

**Features:**

- Ember Fyre™ Burner for "Wood Fire" Look
- Works During Power Outages (millivolt system)
- High Efficiency
- Optional Thermostat or Remote Control
- Optional Blower for Quicker Heat Distribution
- Convenient Operating Controls
- Variable-Rate Heat Output
- Low Maintenance

**Installation Options:**

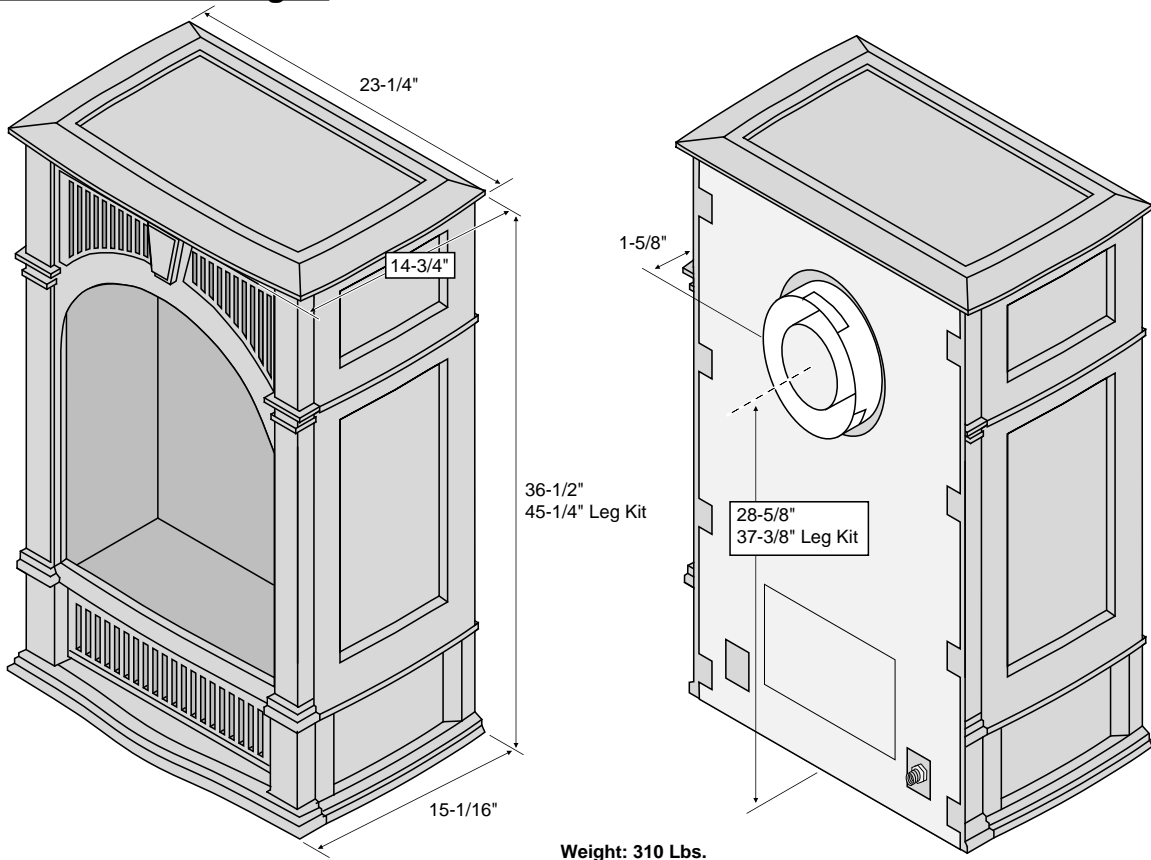
- Freestanding Stove
- Horizontal or Vertical Vent
- Residential or Mobile Home
- Straight or Corner Placement
- Bedroom Approved

**Heating Specifications:**

Approximate Heating Capacity (in square feet)\*.....Up to 850 with optional blower, 650 without  
 Maximum BTU Input Per Hour.....16,500  
 Minimum BTU Output on Low .....10,500 (NG) 9,380 (LP)  
 Steady State Efficiency\*\* (with optional blower on).....up to 77.2% (NG) up to 74.5% (LP)  
 AFUE (Annual Fuel Utilization Efficiency).....63% (NG) 60.7% (LP)

- Heating capacity will vary depending on the home's floor plan, degree of insulation, and the outside temperature.
- \*\* Efficiency rating is a product of thermal efficiency rating determined under continuous operation independent of installed system.

**Dimensions & Weight:**



**Electrical Specifications (for optional blower)**

Electrical Rating.....115 Volts, 1.3 Amps, 60 Hz (150 watts on high)

**Fuel:**

This heater is shipped in natural gas (NG) configuration but may be converted to propane (LP) using the included LP conversion kit. The sticker on top of the gas control valve will verify the correct fuel.

## **Installation Warnings:**

- ! Failure to follow all of the requirements may result in property damage, bodily injury, or even death.
- ! This heater must be installed by a qualified installer who has gone through a training program for the installation of direct vent gas appliances.
- ! This appliance must be installed in accordance with all local codes, if any; if not, follow ANSI Z223.1 and NFPA 54(88).
- ! In Manufactured or Mobile Homes must conform with Manufactured Home Construction and Safety Standard, Title 24 CFR, Part 3280, or, when such a standard is not applicable, the Standard for Manufactured Home Installations, ANSI/NCSCS A225.1. This appliance may be installed in Manufactured Housing only after the home is site located.
- ! This stove is designed to operate on natural gas or propane (LP).
- ! All exhaust gases must be vented outside the structure of the living-area. Combustion air is drawn from outside the living-area structure.
- ! Notify your insurance company before hooking up this stove.
- ! The requirements listed below are divided into sections. All requirements must be met simultaneously. The order of installation is not rigid – the qualified installer should follow the procedure best suited for the installation.

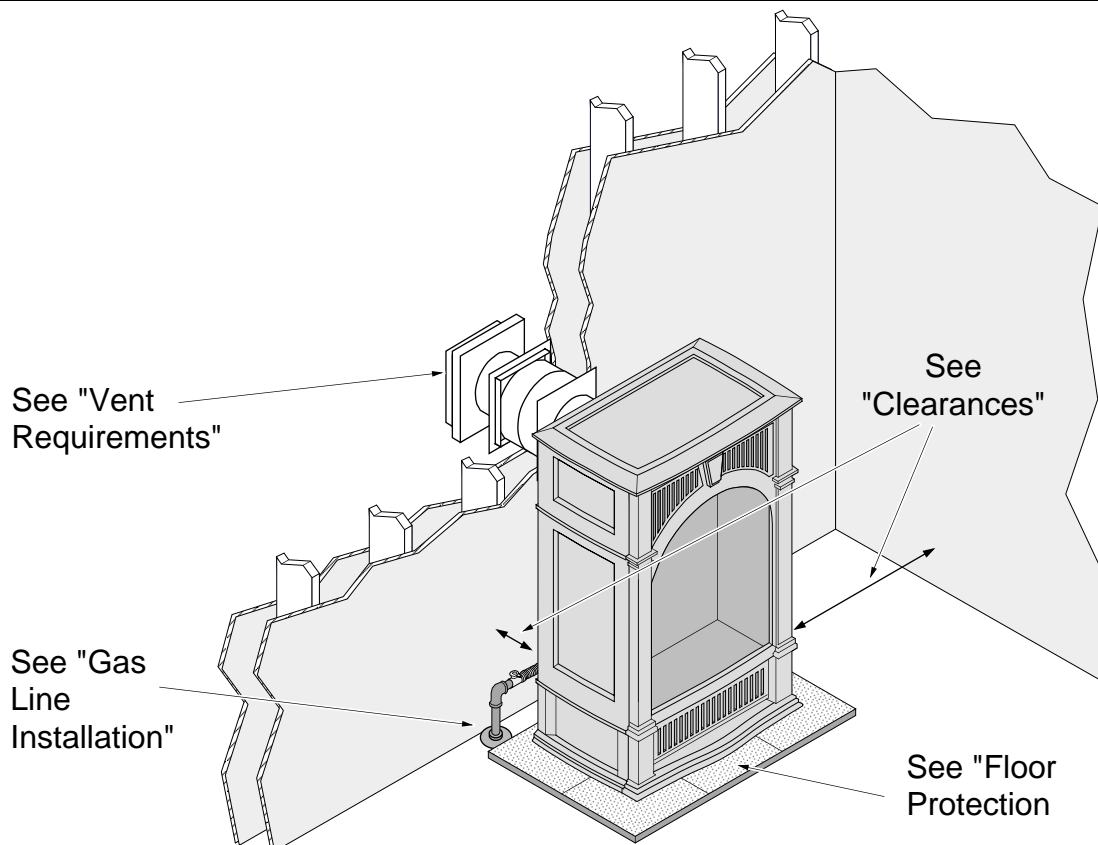
### **Packing List**

- Propane Conversion Kit
- Log Set
- Glass Latch Tool (to un-latch glass frame)

### **Additional Items Required**

- Vent (see "Venting Requirements" for details)
- Gas Line Equipment (shutoff valve, pipe, etc.)

### **Installation Overview**



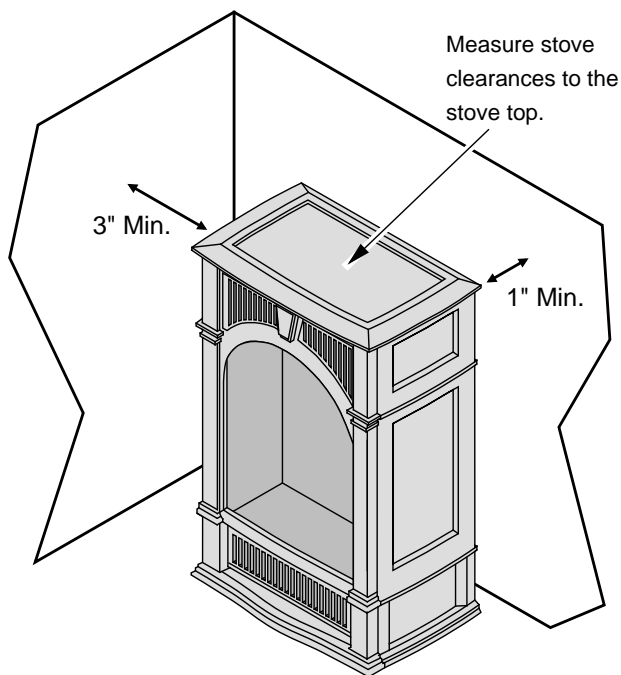


## **Installation Hints:**

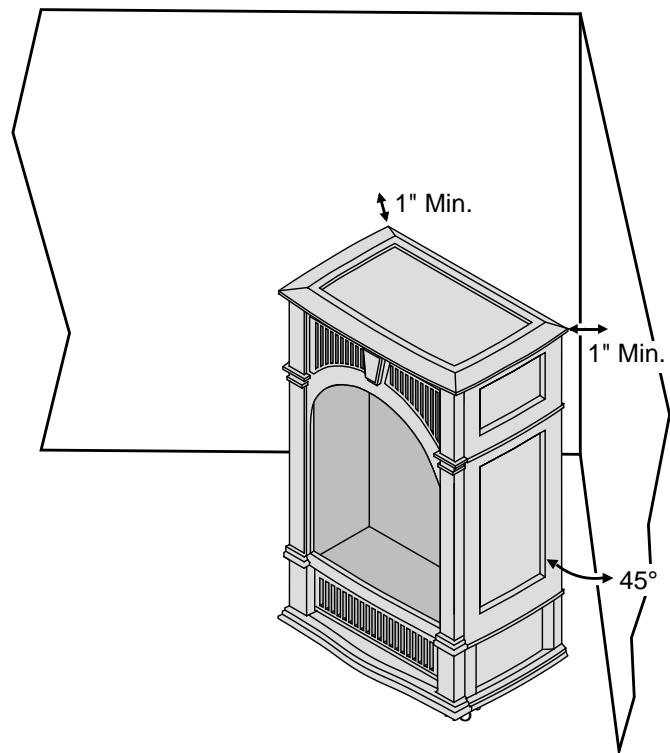
- If converting to LP, convert the appliance prior to installation.
- If using the optional blower, install it prior to installation.
- Install the logs last - they are fragile.
- When determining the location of the stove, locate the wall studs (for horizontal penetrations) and ceiling trusses (for vertical penetrations). You may wish to adjust the stove position slightly to ensure the vent does not intersect with a framing member.
- Fumes and smoke from the paint curing and oil burning off the steel may occur the first time you start this heater. This is normal. We recommend you open windows to vent the room.

## **Stove Clearances**

### **Straight Installations**



### **Corner Installations**



## **Mobile Home Requirements**

- When the stove is installed in a mobile home, it must be bolted to the floor (use the leg mounting kit with or without legs) and the appliance grounded (use the optional blower with a grounded circuit or other suitable grounding method - current ANSI/NFPA 70).



## ***Heater Placement Requirements***

---

- Heater must be installed on a level surface capable of supporting the heater and vent
- Due to high temperatures, the appliance should be located out of traffic and away from furniture and draperies.
- When placed in a location where the floor to ceiling height is under 7 feet, the installation is considered an alcove and must meet the following requirements:
  - The alcove floor to ceiling height must be at least 12" above the stove top
  - The alcove must not be more than 30" deep before the ceiling returns to 7'
  - The alcove must be at least 29-1/2" wide
- The heater must not be placed so the vents below or above the door, along the sides of heater, or along the back of the heater can become blocked.
- This heater may be placed in a bedroom. Please be aware of the large amount of heat this appliance produces when determining a location.

## ***Floor Protection Requirements***

---

- The stove may be placed directly on the floor (wood, carpet, linoleum, etc.). However, we strongly recommend using floor protection under the stove (made of wood, tile, etc.) when installing on carpet or linoleum to prevent heat from dis-coloring the surface.

## Gas Line Installation

### MASSACHUSETTS INSTALLATIONS - **WARNING:**

THIS PRODUCT MUST BE INSTALLED BY A LICENSED PLUUMBER OR GAS FITTER WHEN INSTALLED WITHIN THE COMMONWEALTH OF MASSACHUSETTS.

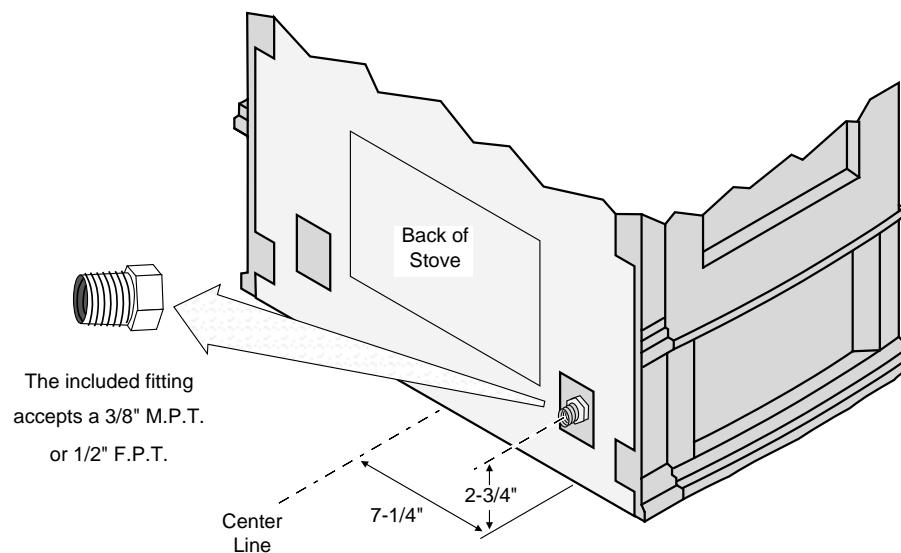
OTHER MASSACHUSETTS CODE REQUIREMENTS:

- Flexible connector must not be longer than 36 inches.
- Shutoff valve must be a "T" handle gas cock.
- Only direct vent sealed combustion products are approved for bedrooms or bathrooms.
- Fireplace dampers must be removed or welded in the open position prior to the installation of a fireplace insert or gas log.

! The gas line must be installed in accordance with all local codes, if any; if not, follow current ANSI Z223.1 or NFPA 54.

! The heater and gas control valve must be disconnected from the gas supply piping during any pressure testing of that system at test pressures in excess of 1/2 psig (3.45 kPA). For pressures under 1/2 psig (3.45 kPA), isolate the gas supply piping by closing the manual shutoff valve.

- This heater is designed for natural gas but can be converted to propane. Check the sticker on top of the gas control valve to verify the correct fuel is used (see page 4).
- Leak test all gas line joints and the gas control valve prior to and after starting the heater.
- A manual shutoff valve is required for installation (it must be located within 3' of the heater). T-Handle gas cocks are required in Massachusetts in compliance with code 248CMR.
- The location of the gas inlet is shown below



### Gas Inlet Pressure

- With the heater off, the inlet pressure must meet the requirements listed in the table below
- If the pressure is not sufficient, make sure the piping used is large enough and the total gas load for the residence does not exceed the amount supplied.
- The supply regulator (the regulator that attaches directly to the residence inlet or to the propane tank) should supply gas at the suggested input pressure listed below. Contact the local gas supplier if the regulator is at an improper pressure.

|             | Standard Input Pressure |
|-------------|-------------------------|
| Natural Gas | 7" W.C. (1.74 Kpa)      |
| Propane     | 13" W.C. (3.23 Kpa)     |

## Vent Requirements

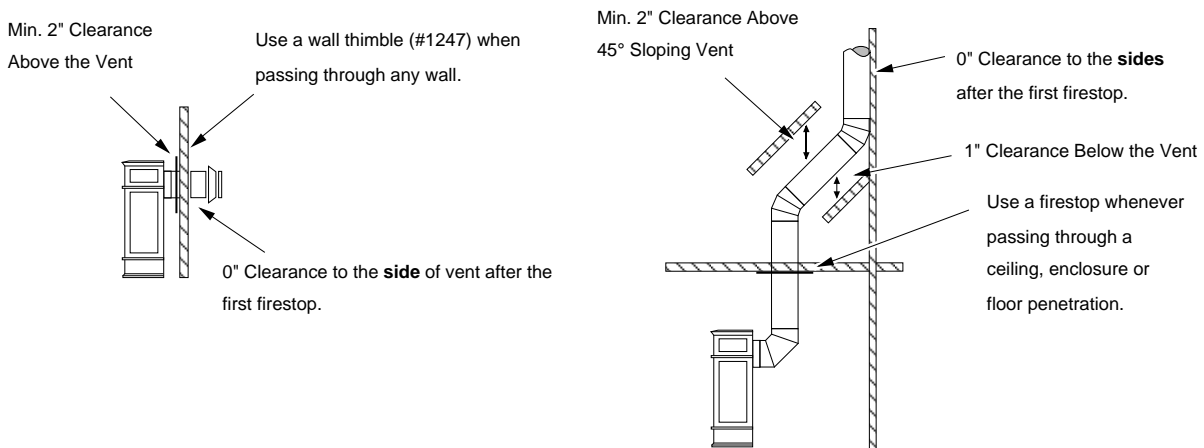
- The vent must maintain the required clearance to combustible materials to prevent a fire (see "Clearances" below). Do not fill air spaces with insulation.
- The gas appliance and vent system must be vented directly to the outside of the building, and never be attached to a chimney serving a separate solid fuel or gas-burning appliance. Each direct vent gas appliance must use its own separate vent system.

## Altitude Considerations

This heater has been tested at altitudes ranging from sea level to 8,000 feet (2,400 M). In this testing we have found that the heater, with its standard orifice, burns correctly with just an air shutter adjustment.

- Failure to adjust the air shutter properly may lead to improper combustion which can create a safety hazard. Consult your dealer or installer if you suspect an improperly adjusted air shutter.

## Vent Clearances



## Part Numbers for 8" Diameter Pipe

- Use Model GS Direct Vent manufactured by Simpson Dura-Vent **only**. Follow the installation instructions included with the vent. For the nearest Simpson Dura-Vent supplier, call (800) 835-4429. Vent part numbers and descriptions are listed below.

### Straight Lengths

|       |                                       |
|-------|---------------------------------------|
| 1208B | 6" Pipe Length, Black                 |
| 1207B | 9" Pipe Length, Black                 |
| 1206B | 12" Pipe Length, Black                |
| 1204B | 24" Pipe Length, Black                |
| 1203B | 36" Pipe Length, Black                |
| 1202B | 48" Pipe Length, Black                |
| 1211B | 11" to 14-5/8" Adjustable Pipe, Black |

### Terminations

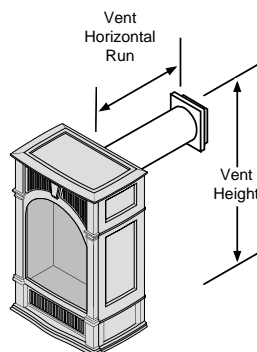
|      |                               |
|------|-------------------------------|
| 1285 | Horizontal Square Termination |
| 1291 | Vert. High Wind Termination   |
| 1250 | Vinyl Siding Stand-off        |

### Penetration, Support

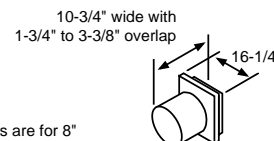
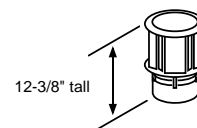
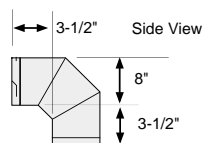
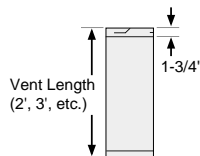
|      |                               |
|------|-------------------------------|
| 1247 | Wall Thimble                  |
| 1241 | Cathedral Ceiling Support Box |
| 1263 | Ceiling Fire-stop             |
| 1288 | Wall Strap                    |

### Elbows

|       |                  |
|-------|------------------|
| 1245B | 45° Elbow, Black |
| 1290B | 90° Elbow, Black |



**NOTE:**  
Vent sections overlap each other by 1-3/4"

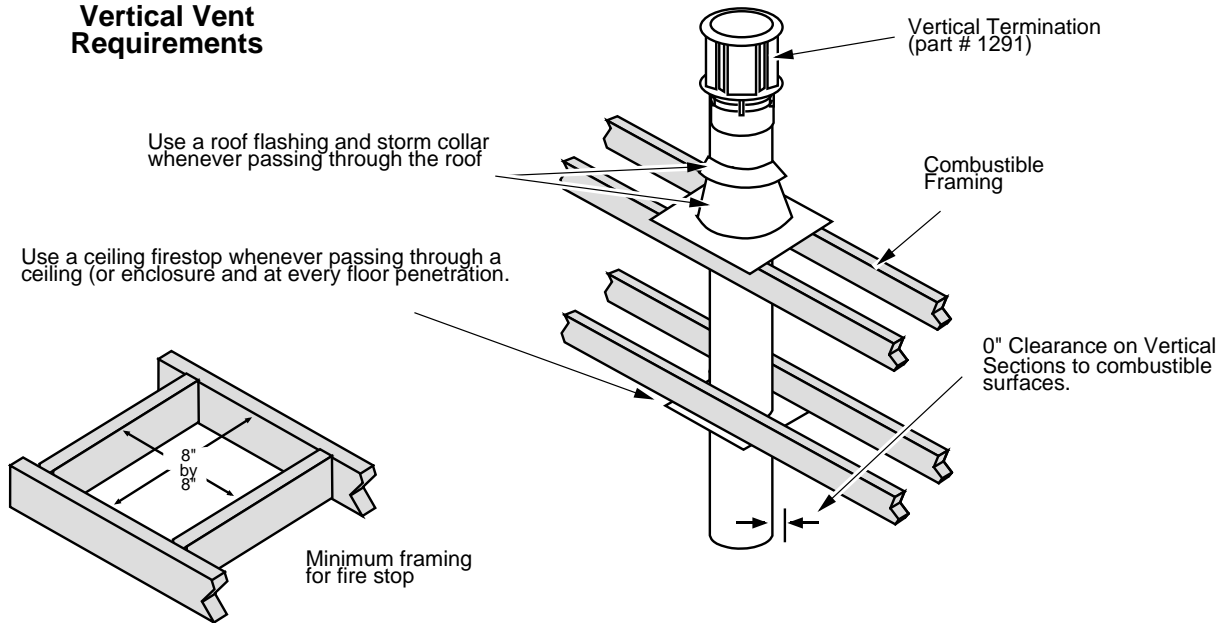


**NOTE:**  
All measurements are for 8" diameter vent.

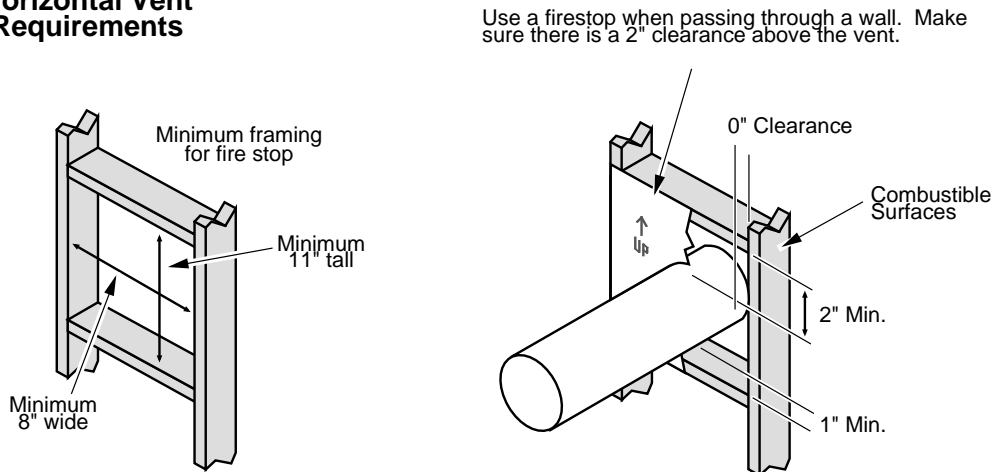
## Vent Installation

- In addition to the requirements below, follow the requirements provided with the vent.

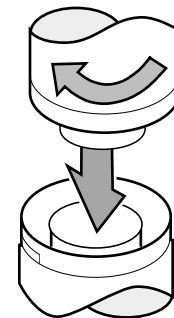
### Vertical Vent Requirements



### Horizontal Vent Requirements



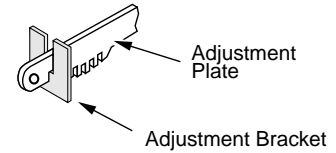
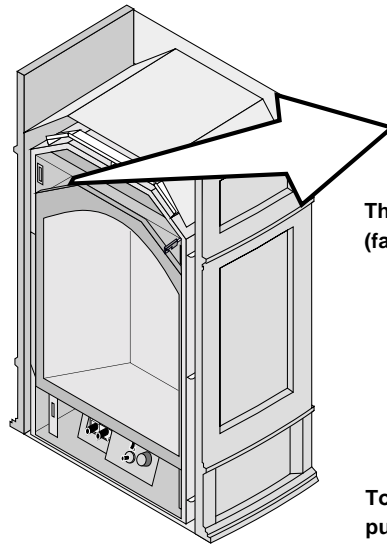
- Slide the vent sections together and turn 1/4 turn until the sections lock in place.
- Screws are not required to secure the vent. However, three screws may be used to secure vent sections together if desired.
- High temperature sealant is recommended at the appliance starter section connection (use high-temperature silicone or Mill-Pac®).
- If disassembly is required, at time of re-assembly check to see if the vent creates a tight fit. If it does not, apply high temperature sealant to the joints of the affected sections.
- Horizontal sections require a 1/4" rise every 12" of travel
- Horizontal sections require non-combustible support every three feet (e.g.: plumbing tape)



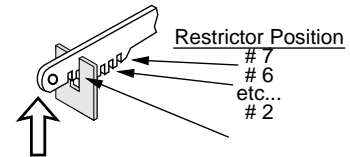
## Approved Vent Configurations

### Restrictor Position

- A vent restrictor is built into the appliance to adjust the flow rate of exhaust gases. This ensures proper combustion for all vent configurations. Depending upon the vent configuration, you may be required to adjust the restrictor position. The charts for acceptable vent configurations detail the correct vent restrictor position.



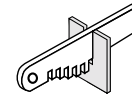
This restrictor is in position 1 (factory setting).



To adjust, lift the adjustment plate and pull it forward

#### To Access the Restrictor:

Remove the face (with the stove cool). You can use the glass latch tool to move the restrictor.



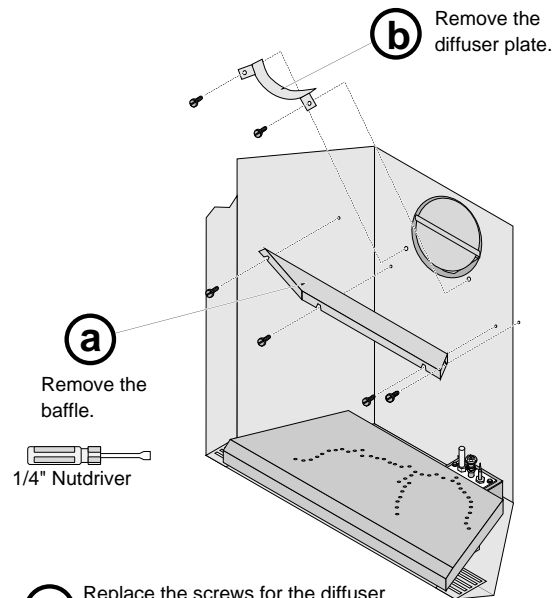
This restrictor is in position 6.

#### To Adjust the Restrictor:

- Determine the correct restrictor position (see the charts under "Approved Vent Configurations" - the factory position is #1).
- Lift up the adjustment plate and move it so the correct notch falls into the slot on the adjustment bracket.

### Diffuser Plate

- Certain vent configurations require the diffuser plate to be removed. It is located in the firebox, behind a baffle above the burner (remove the firebox liner first). Refer to the charts for approved vent configurations to determine if the diffuser plate requires removal.

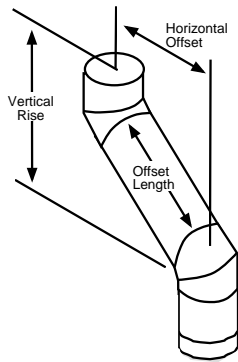


(c) Replace the screws for the diffuser plate to seal the holes in the firebox.

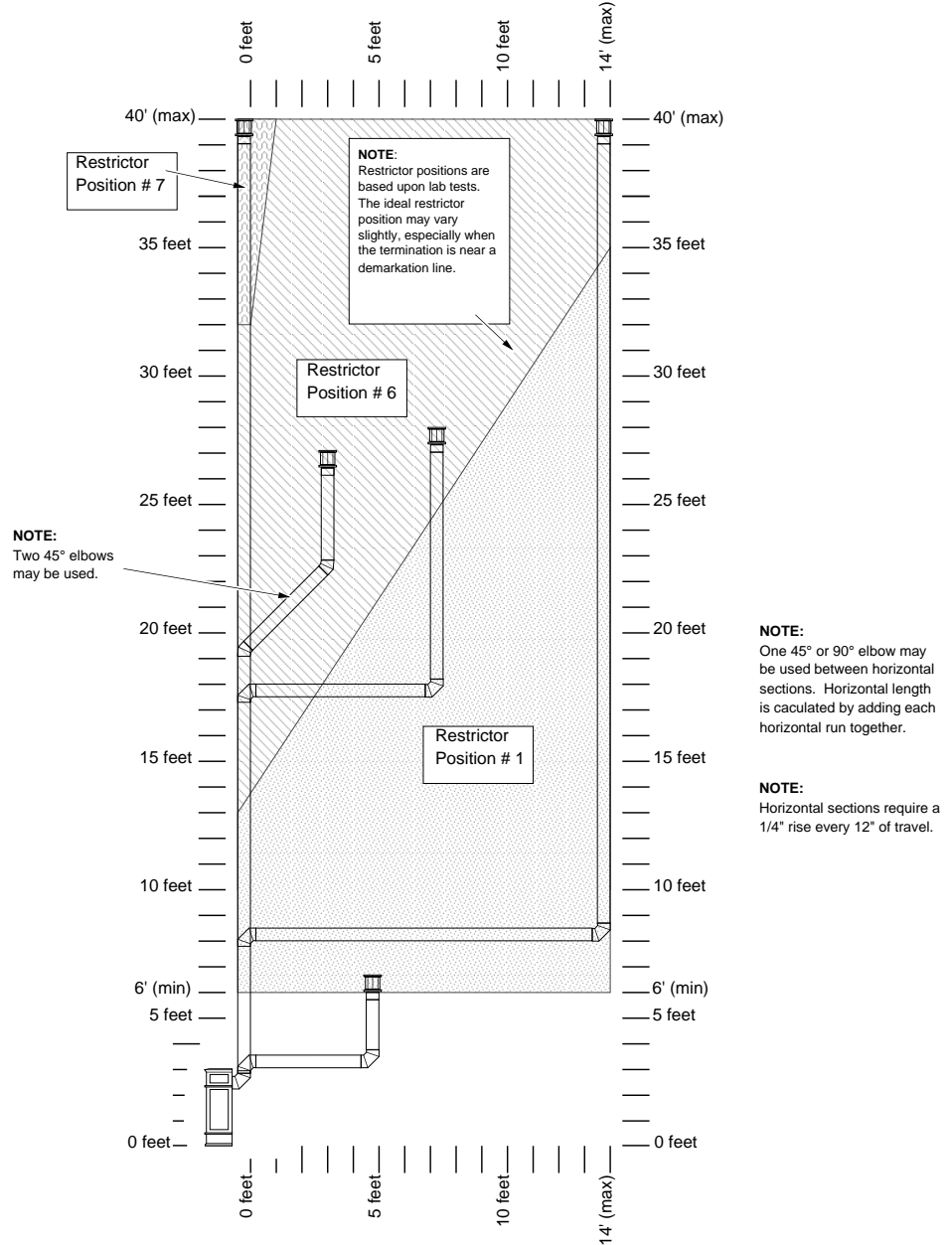
(d) Replace the baffle.

## Vertical Terminations

- The diffuser must be removed.
- The termination must fall within the shaded area shown in the chart. Use the indicated restrictor position.
- If using offsets, use the table below to calculate the vertical rise and horizontal offset

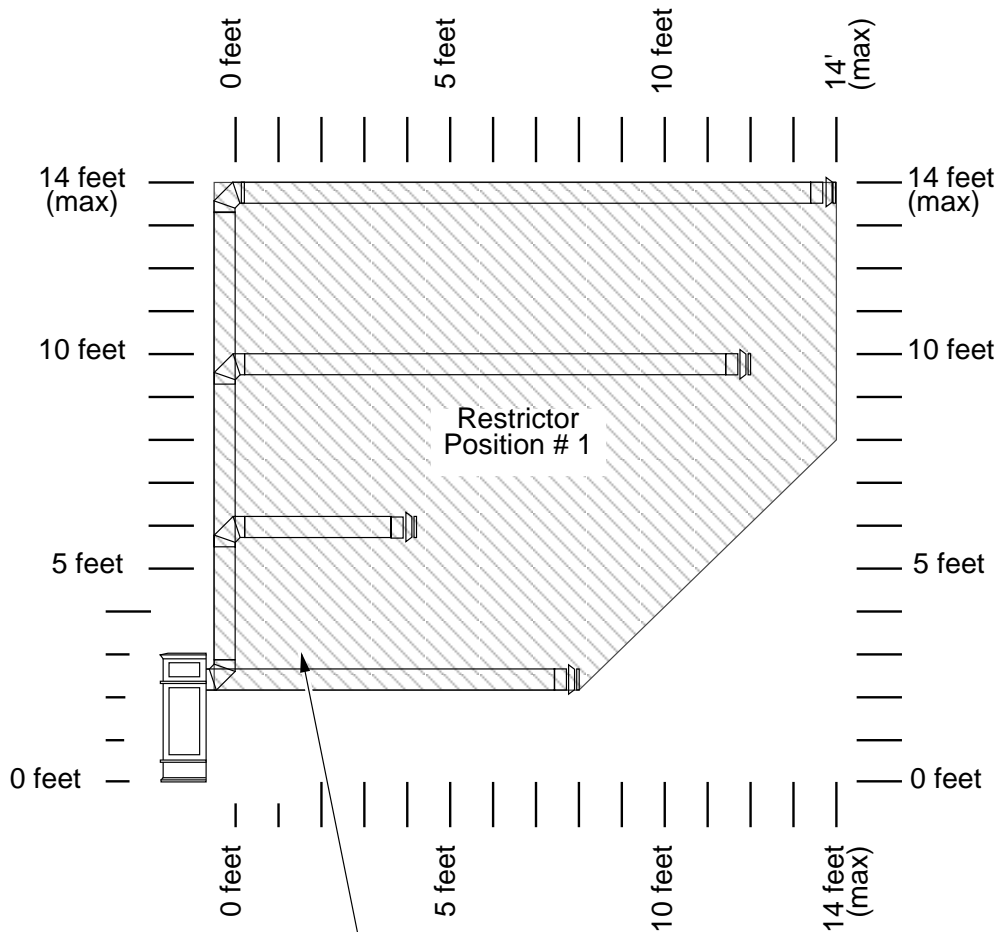


| Offset Length   | Hor. Offset | Vert. Rise |
|-----------------|-------------|------------|
| None            | 5"          | 1'         |
| 1' Section      | 1'          | 1' 7"      |
| 2' Section      | 1' 9"       | 2' 4"      |
| 3' Section      | 2' 5"       | 3'         |
| 4' Section      | 3' 2"       | 3' 8"      |
| 4' + 1' Section | 3' 9"       | 4' 4"      |
| 4' + 2' Section | 4' 6"       | 5'         |
| 4' + 3' Section | 5' 2"       | 5' 9"      |
| 4' + 4' Section | 6'          | 6' 9"      |



## Horizontal Terminations – LP (Propane)

- The diffuser must be removed.
- 0 or 2 90° Elbows may be used. See "Horizontal Termination with 45° Elbow" if installing into a corner application.
- If using a Snorkel Termination (14" or 36") add the snorkel height to the vertical height (snorkel terminations are used primarily for basement installations).
- The termination must fall within the shaded area shown in the chart. Use the indicated restrictor position.

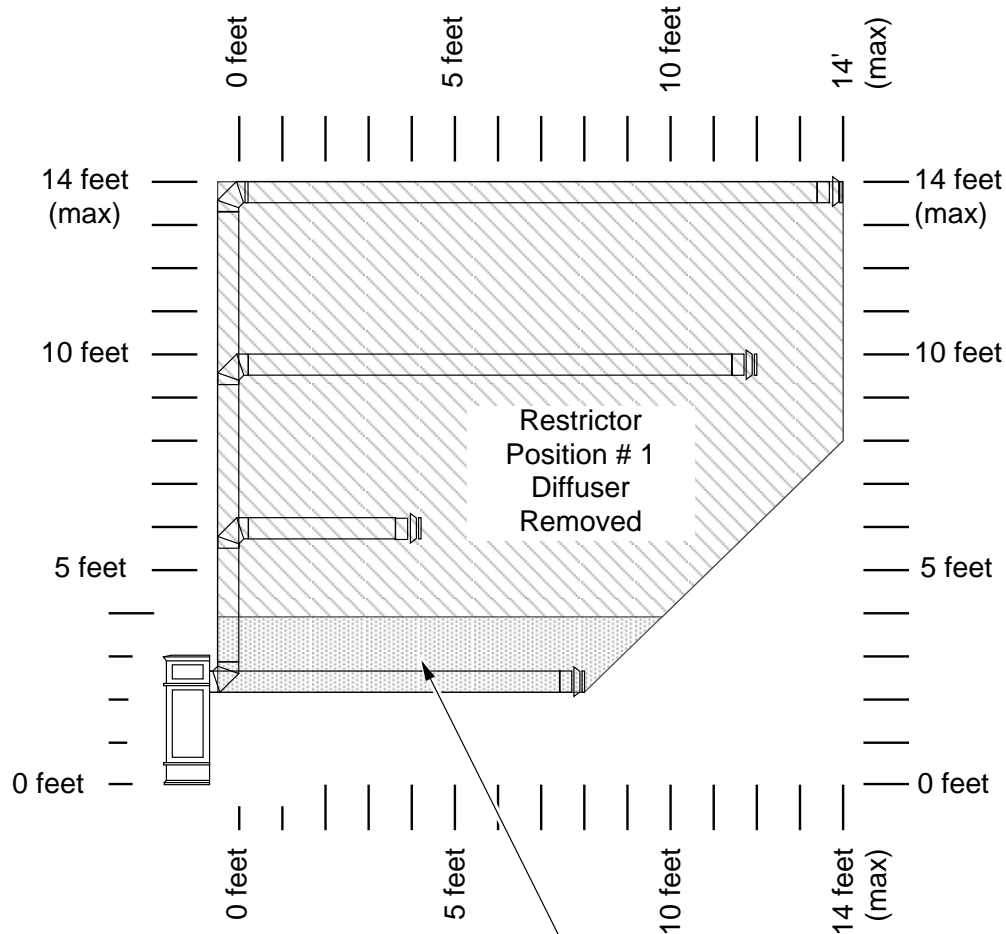


**NOTE:**  
Horizontal sections require a 1/4" rise every 12" of travel.

**NOTE:**  
Restrictor positions are based upon lab tests. The ideal restrictor position may vary slightly.

## Horizontal Terminations – NG (Natural Gas)

- 0 or 2 90° Elbows may be used. See "Horizontal Termination with 45° Elbow" if installing into a corner application.
- If using a Snorkel Termination (14" or 36") add the snorkel height to the vertical height (snorkel terminations are used primarily for basement installations).
- The termination must fall within the shaded area shown in the chart. Use the indicated restrictor position.



**NOTE:**

Horizontal sections require a 1/4" rise every 12" of travel.

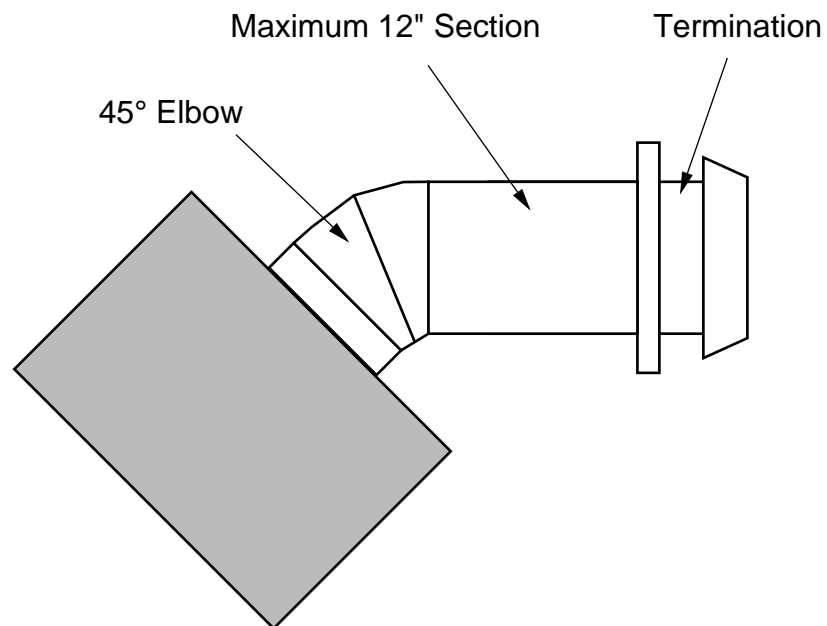
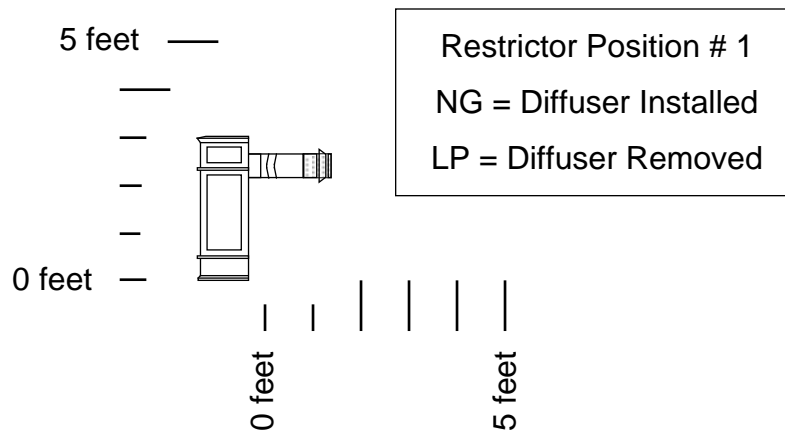
**NOTE:**

Restrictor positions are based upon lab tests.



## Horizontal Termination with 45° Elbow (NG or LP)

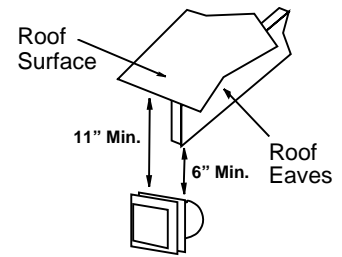
- This type of installation requires (1) 45° elbow, a maximum 12" of horizontal vent, and the horizontal termination.
- Use restrictor position # 1.
- When using NG, leave the diffuser installed.
- When using LP, remove the diffuser.



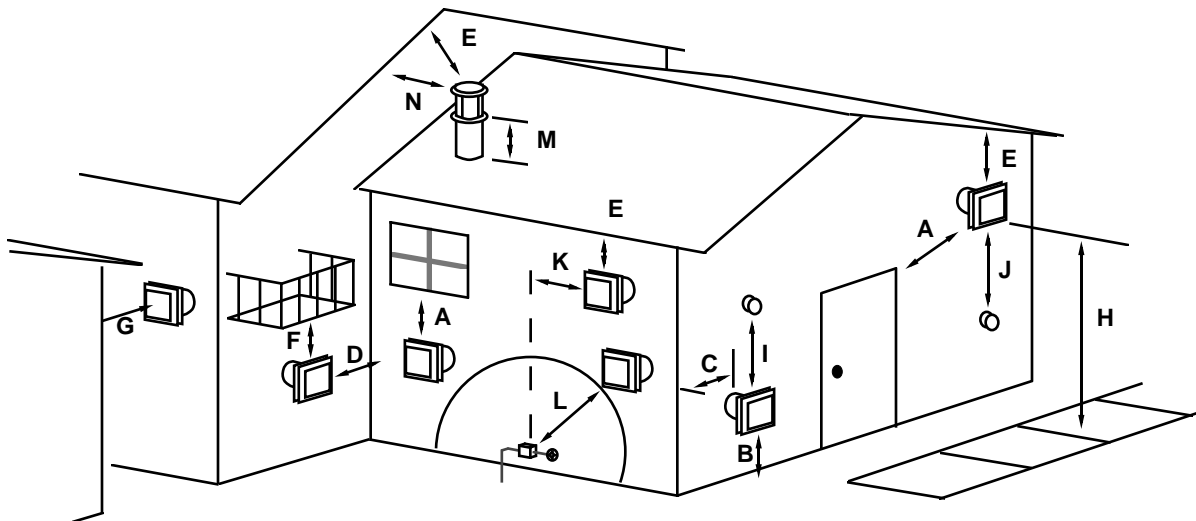
## Vent Termination Requirements (see illustration below)

**! Venting terminals shall not be recessed into a wall or siding.**

- A Minimum 9" clearance from any door or window
- B Minimum 12" above any grade, veranda, porch, deck or balcony
- C Minimum 3-3/8" from outside corner walls  
**NOTE:** Clearance in accordance with local installation codes and the requirements of the gas supplier.
- D Minimum 0" from inside corner walls



- E Minimum 11" clearance below unventilated soffits or roof surfaces  
Minimum 18" clearance below ventilated soffits  
Minimum 6" clearance below roof eaves  
**NOTE:** Vinyl surfaces require 24"  
**NOTE:** Clearance in accordance with local installation codes and the requirements of the gas supplier.
- F Minimum 12" clearance below a veranda, porch, deck or balcony  
**NOTE:** Permitted only if veranda, porch, deck, or balcony is fully open on a minimum of two sides beneath the floor.  
**NOTE:** Clearance in accordance with local installation codes and the requirements of the gas supplier.
- G Minimum 48" clearance from any adjacent building
- H Minimum 84" clearance above any grade when adjacent to public walkways or driveways  
**NOTE:** may not be used over a walkway or driveway shared by an adjacent building
- I Minimum 48" clearance from any mechanical air supply inlet
- J Minimum 36" clearance above and 48" below and to the sides of non-mechanical air supply inlet
- K Minimum 36" from the area above the meter/regulator (vent outlet)  
**NOTE:** Clearance in accordance with local installation codes and the requirements of the gas supplier.
- L Minimum 36" from the meter/regulator (vent outlet)  
**NOTE:** Clearance in accordance with local installation codes and the requirements of the gas supplier.
- M Minimum 12" above the roof line (for vertical terminations)
- N Minimum 24" horizontal clearance to any surface (such as an exterior wall) – for vertical terminations



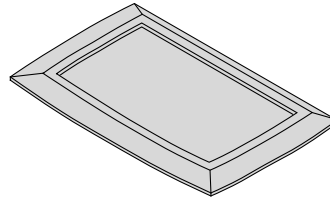
**NOTE: Measure clearances to the nearest edge of the exhaust hood.**

- Use the vinyl siding standoff (#1250) when installing on an exterior with vinyl siding.
- Vent termination must not be located where it will become plugged by snow or other material

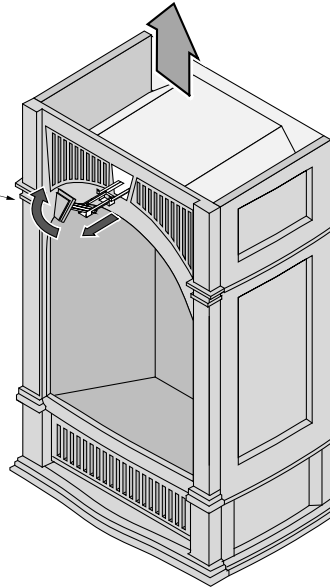
- 1 Remove the stove top and face following the directions below.

**Warning:** The appliance must be completely cool prior to removing the top and face.

With both hands, lift the stove top and place it aside.

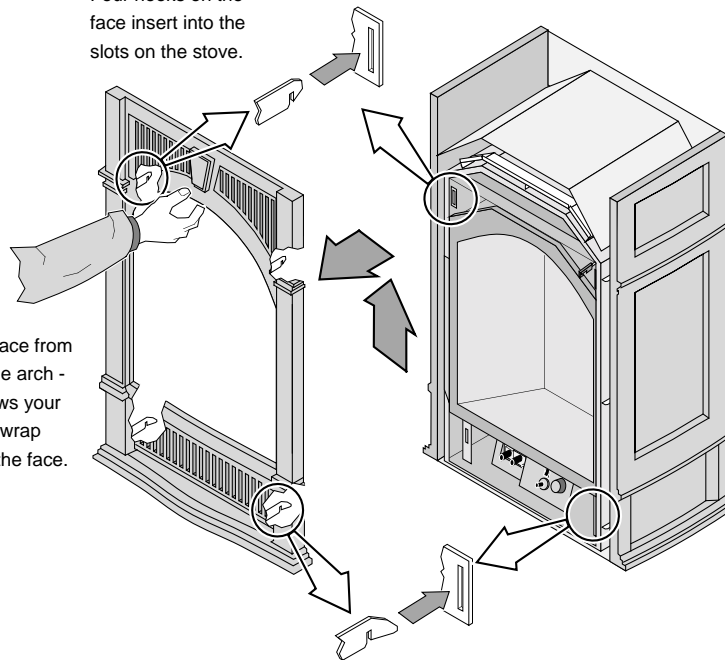


**NOTE:** If using the Aromatherapy tray, remove it at this time.



Lift the face and off of the stove.

Four hooks on the face insert into the slots on the stove.



**HINT:** Lift the face from under the arch - this allows your hand to wrap around the face.

**Installation Hint:**

Tilt the face back, insert the bottom hooks first, then lift and insert the top hooks. The face can then be slid down into place.

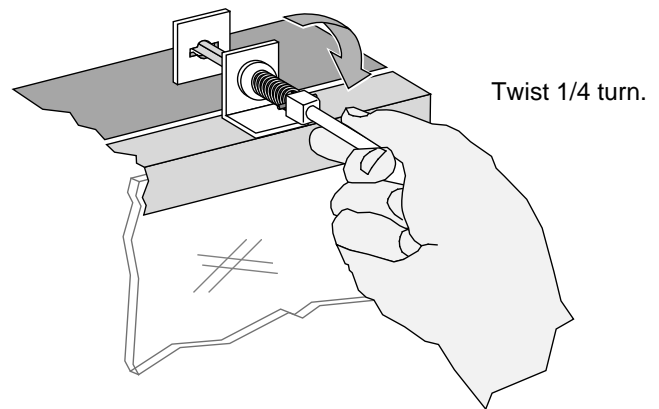
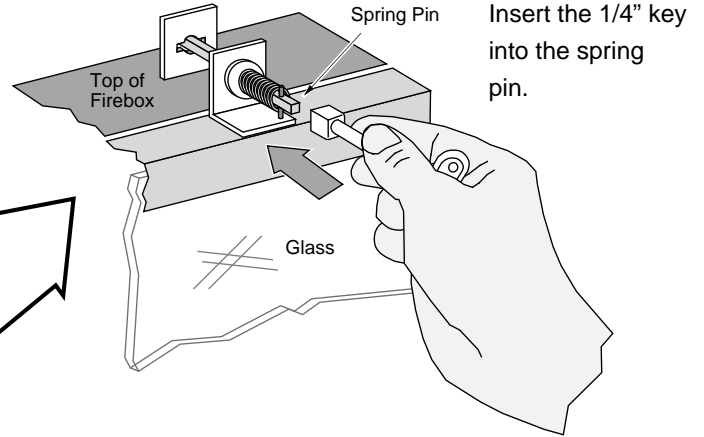
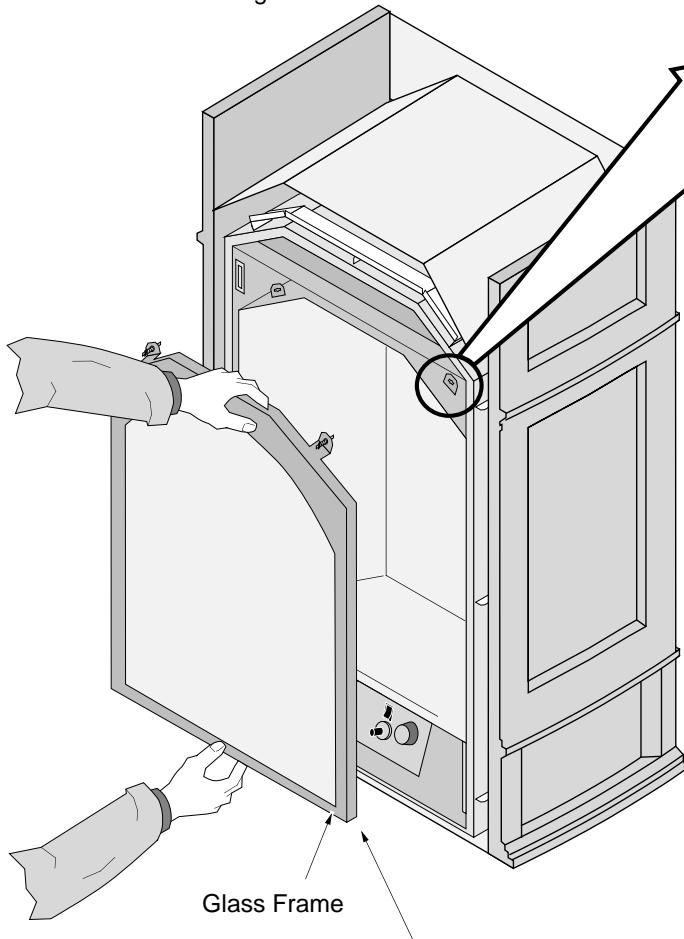
# 20 Finalizing the Installation (for qualified installers only)

2 Remove the glass following the directions below.

**Warning:** Do not strike or slam the glass.

**Note:** Verify the gasket (inside the glass frame) is intact and contacts the firebox when installed.

- a** Open the four latches holding the glass frame in place (start with the two below the glass) - follow the directions shown to the right.

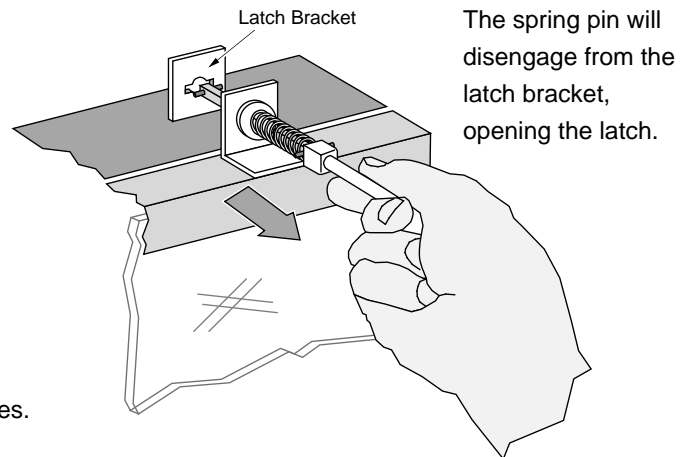


- b** Lift the glass frame up and pull it forward to remove.

**NOTE:** You may need to lift the glass frame while re-attaching.

**Re-Attaching the Glass Frame:**

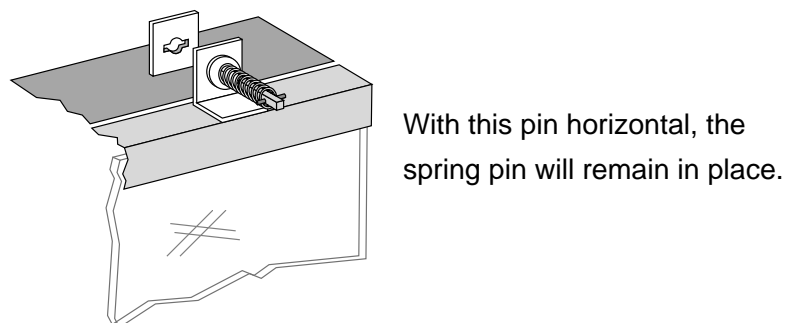
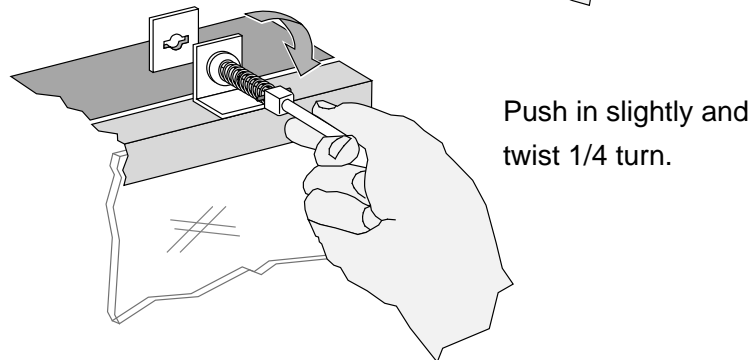
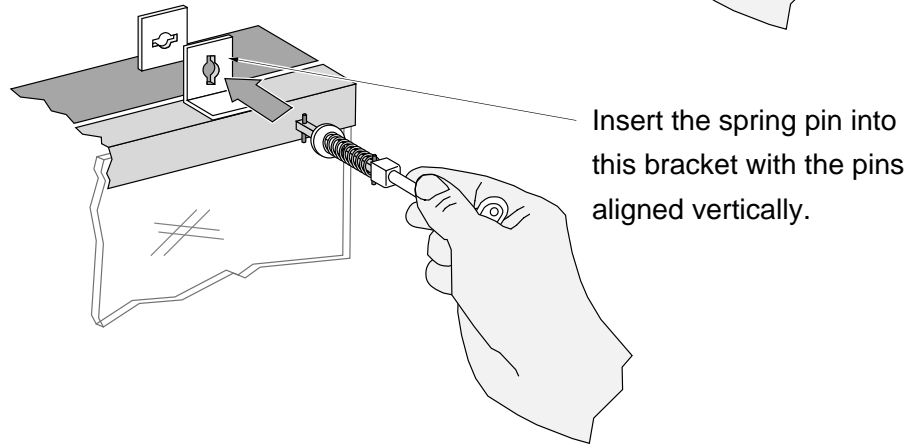
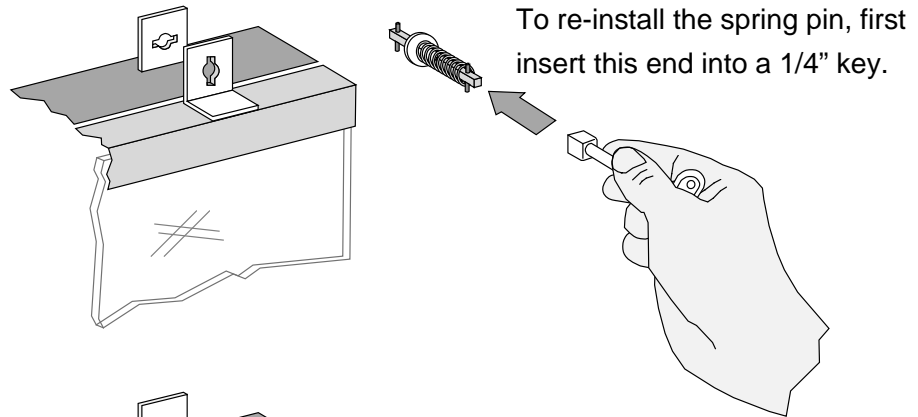
- a) Hang the glass frame on the firebox.
- b) While holding in place, attach the upper latches (follow the instructions to the right in reverse).
- c) Lift the glass frame slightly and attach the lower latches.



## Glass Frame Removal and Installation (continued)

The spring pin can come loose from the latch assembly. This occurs when it is turned 1/4 turn when it is disengaged. Follow the directions below to re-install the spring pin if it becomes loose.

**NOTE:** The spring pins can be installed with the glass frame in place or removed.



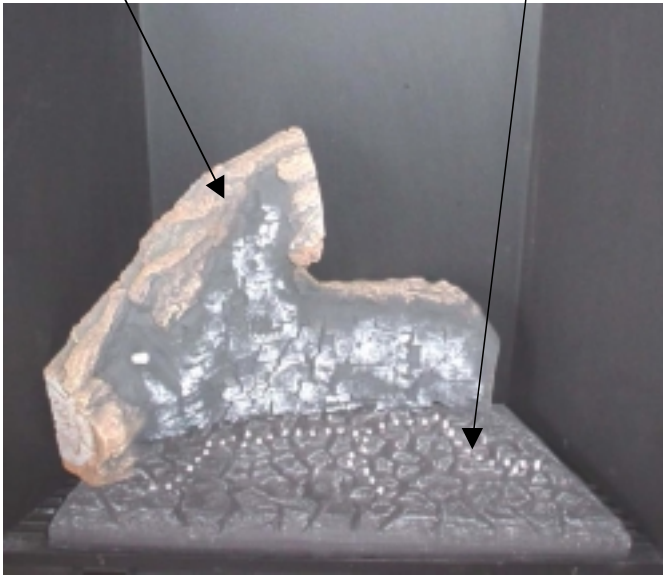
## 22 Finalizing the Installation (for qualified installers only)

- If converting to propane or using the firebox liner, do so now before installing the logs.
- 3 Install the log set following the directions below.

### STEP A – Rear Log Installation

The rear log rests against the back wall.

Burner Holes

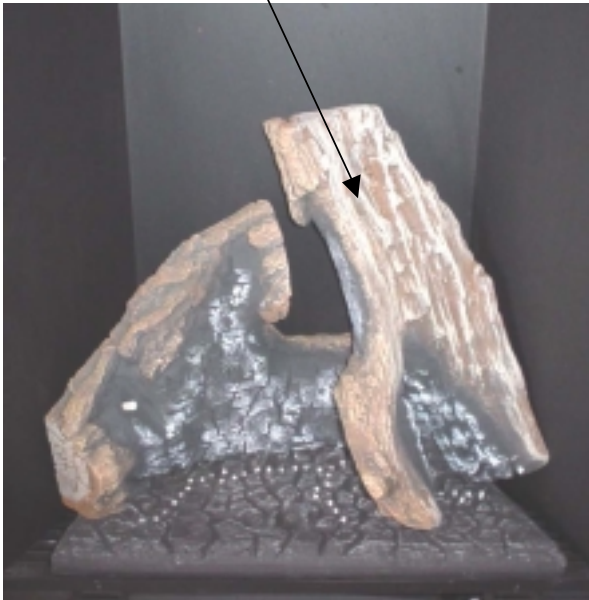


This notch is for the pilot assembly.



### STEP B – Vertical Log Installation

The vertical log rests against the back wall.



The gap in the log is directly over the burner holes.

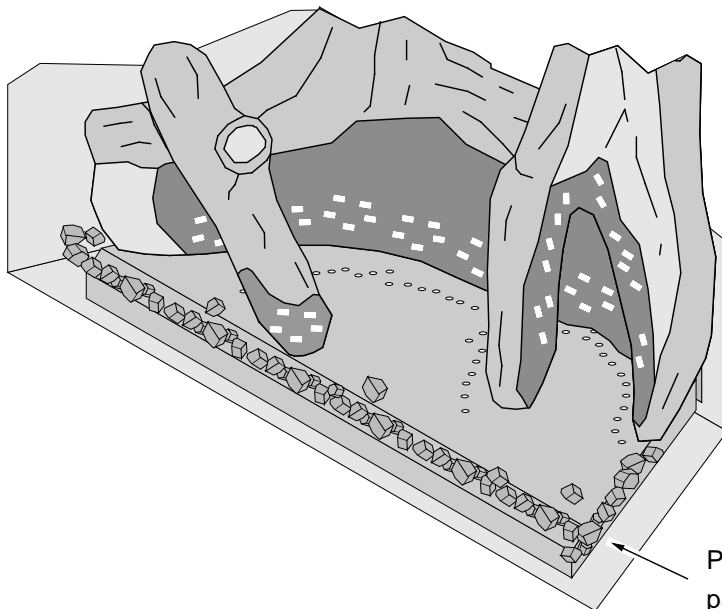


## STEP C – Twig Installation

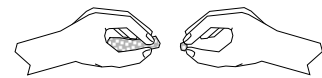
Place the twig as shown (make sure the pin on the rear log inserts into the hole on the twig).



## STEP D – Ember Installation



### **Installing the Rock Wool:**



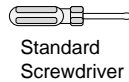
The rock wool comes in one clump. Tear off “dime” sized clumps and flatten. Then pull on the wool to create gauze-like pieces. Place them near some of the burner holes. The wool glows best when very thin and porous.

Place the embers in a random pattern along the edge of the burner. Do not place any embers over the burner holes.

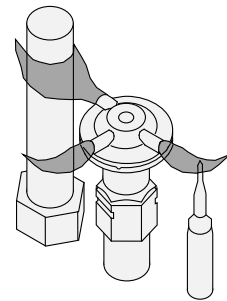
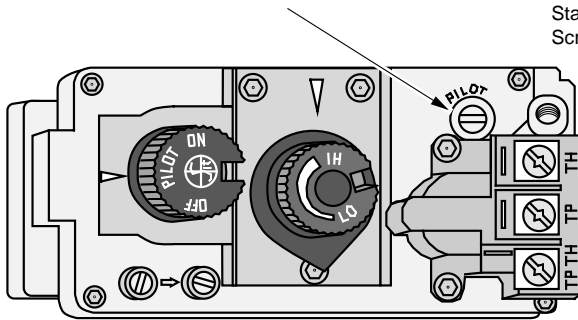
# 24 Finalizing the Installation (for qualified installers only)

- 4 We recommend you purge the gas line at this time (with the glass removed). This allows gas to be detected once it enters the firebox, ensuring gas does not build up.
- 5 Replace the glass.
- 6 Replace the face and top.
- 7 Turn on the gas to the fireplace. Turn on gas to the heater. Leak test all gas joints prior to starting the appliance. Start the pilot. Start the main burner. Leak test all gas joints again.
- 8 Check the pilot flame to make sure it looks like the illustration below. Adjust the pilot flame if necessary.

To adjust the pilot flame, turn this screw. Clockwise lowers the flame while counter-clockwise raises it.



The pilot flame must contact the thermocouple and thermopile (see the illustration below). Adjust the pilot up or down as necessary.

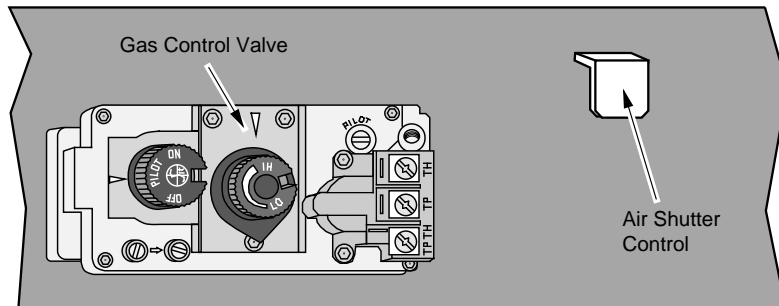


- 9 Let the heater burn for fifteen minutes. Adjust the air shutter, if necessary, to achieve the correct looking flame (see the illustration below).
  - The air shutter adjusts the amount of air that mixes with the gas before it exits the burner holes.

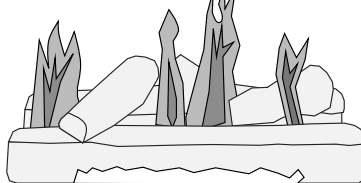
## ADJUSTING THE AIR SHUTTER

Pushing the control to the right gives the flame less air (closed) - making it more orange. Pushing to the left gives the flame more air (open), making it more blue. For fine adjustments use a screwdriver to tap the air shutter.

**NOTE:** If the air shutter is all the way open, yet the flames remain sooty, shut off gas to the fireplace and contact a qualified gas service technician.

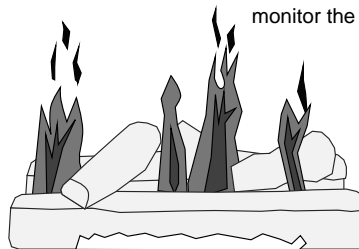


**NOTE:** The logs must be installed correctly to monitor the flame while adjusting the air shutter.



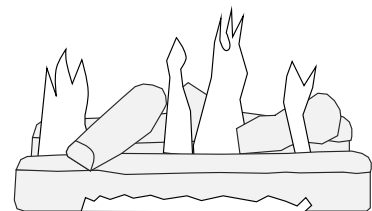
**Correct**

Flames should be blue at the base, yellow-orange on the top.



**Not Enough Air**

If the flames are too tall or sooty on the ends, open the air shutter.



**Too Much Air**

If the flames are all blue and short, close the air shutter.



## **FINE TUNING THE EMBER-FYRE™ BURNER**

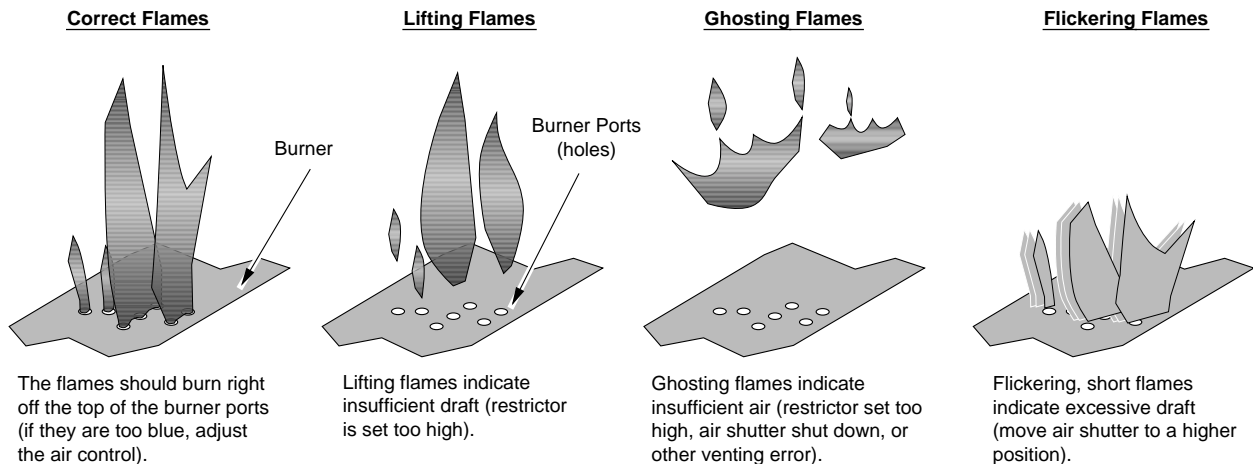
Each installation is affected by altitude, vent configuration, and fuel quality. Because of this, the restrictor and air shutter may need to be fine tuned to each installation. Follow the hints below to fine-tune the burner for optimum performance and aesthetics.

### ***Restrictor Hints:***

Set the restrictor to the position suggested in the vent configuration table (see pages 14-17). Turn the heater on and allow it to reach full temperature (15 min.). If the flames indicate there is excessive draft due to altitude or climate, you may wish to adjust the restrictor to a more restrictive position (higher number). Active, flickering short flames are an indication of excessive draft. If the flames lift off of the burner holes, this indicates not enough draft (restrictor is set too open). After adjustments are made the unit must be cooled down to room temperature and restarted to make sure that the restriction is not so severe that the pilot will drop out when it is restarted. If the pilot does drop out reduce the restriction until it will operate continuously.

### ***Air Shutter Hints:***

- For more glow, open the air shutter, however, this will make the flames more blue.
- For yellow flames, close the air shutter, however, this may create less glow.



**Warning:** If the vent configuration is installed incorrectly the vent may cause the flames inside the heater to lift or “ghost” – a dangerous situation. Inspect the flames after installation to insure proper performance. If the vent configuration is correct, yet the flames are lifting or ghosting, shut off gas to the heater and contact the dealer for information on remedying the problem.

**1 0** Turn the flame adjust knob to its highest position - the flames should be approximately 10" tall. Check the flame on low position. The flames should burn off of each burner hole. If the heater does not work correctly, contact your dealer for a remedy.

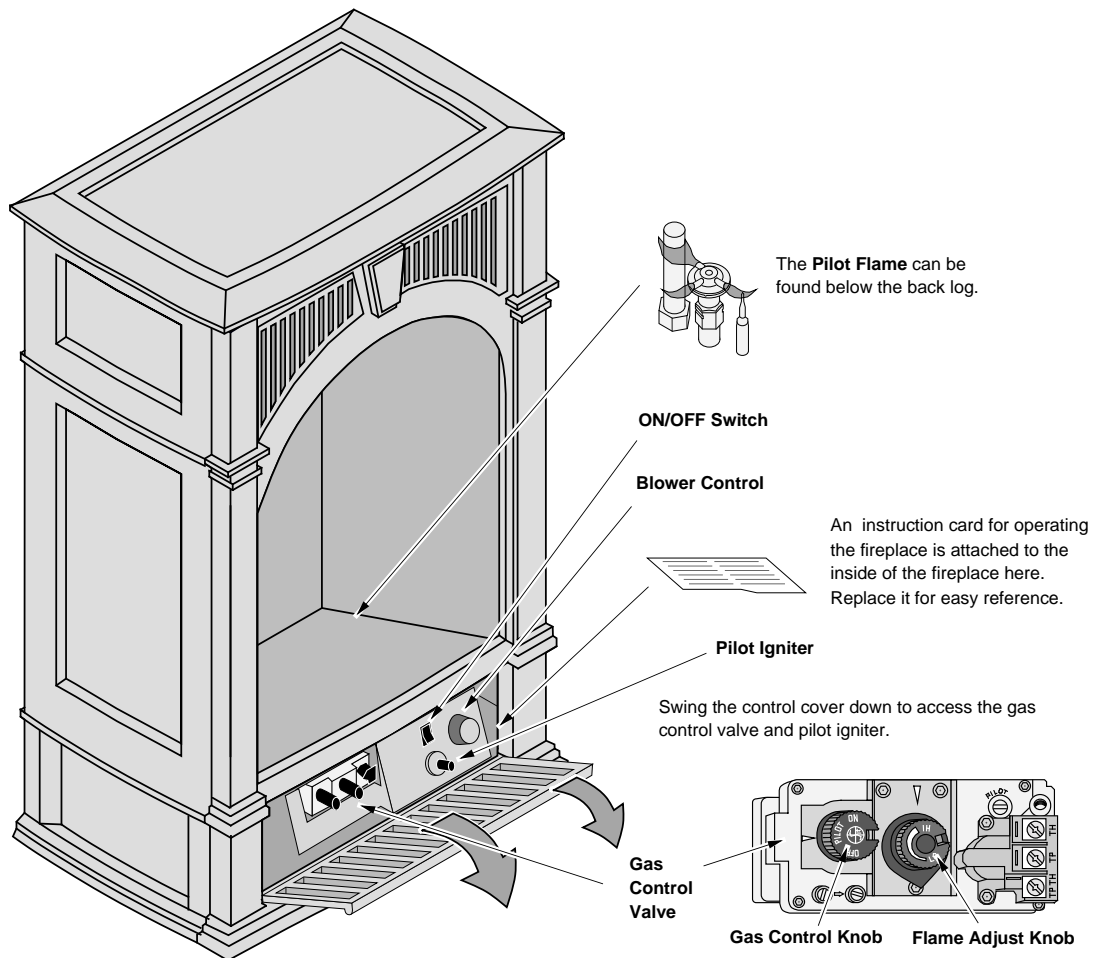
**1 1** Give this manual to the home owner and fully explain the operation of this heater.

## Before You Begin

**Warning:** Read this entire manual before you use your new stove (especially the section "Safety Precautions" on pages 4 & 5). Failure to follow the instructions may result in property damage, bodily injury, or even death.

**Warning:** Do not operate appliance with the glass front removed, cracked or broken. Replacement of the glass should be done by a licensed or qualified service person.

## Location of Controls - See explanation below



**On/Off Switch**      This control is used to turn the flame on and off.

**Optional Blower Control**      This knob controls the speed of the internal convection blower that pushes heated air into the room.

**Gas Control Knob**      This knob controls gas to the stove and pilot. There are three positions: ON, OFF, and PILOT. The indicator line is to the left of the knob.

**Flame Adjust Knob**      This knob controls the flame height from low ("LO") to high ("HI"). The indicator line is above the knob.

**Pilot Igniter**      The pilot igniter is used only to start the pilot. When pressed, it sends an electrical charge to the pilot assembly. This creates a blue spark directly next to the pilot, igniting the pilot flame.

- If using a remote control or thermostat, the On/Off Switch must be left "OFF". Turning the On/Off Switch "ON" will keep the stove on always.

## Starting The Pilot Flame

The pilot flame is required to ignite the main burners (it also plays a safety role). It should be left on once lit. It will stay lit unless the gas control valve is turned to "OFF". However, the pilot will go out if the gas is shut off, the propane tank runs out (or low) or if the stove malfunctions. If the pilot turns off frequently, call your dealer for information. To start the pilot follow the directions below:

**WARNING:**

**When lighting or re-lighting the pilot, the glass must be removed (see page 19-20).**

- a Remove the glass (see page 19-20 for details).
- b Push the gas control knob in slightly and turn it to the "OFF" position. The knob will not turn from "ON" to "OFF" unless the knob is depressed slightly. Wait five minutes to let any gas that may have accumulated inside the firebox escape. If you smell leaking gas, follow the directions on the cover "IF YOU SMELL GAS".
- c Turn the gas control knob to the "PILOT" position and press the knob in, this will allow gas to flow to the pilot light. Press the button on the pilot igniter repeatedly until you see the pilot light.

**WARNING:**

**If the pilot does not light after 15 seconds, release the knob and call your dealer for service. Do not attempt to light pilot until service has been performed.**

**NOTE:**

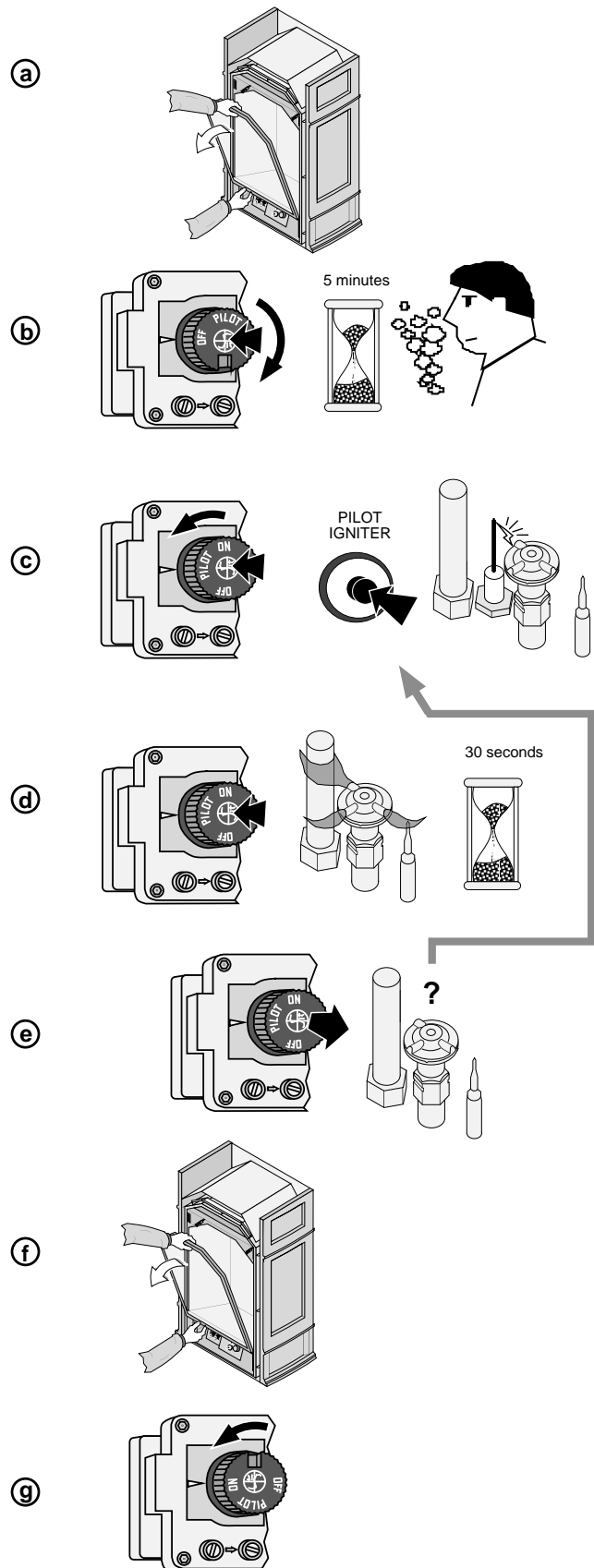
**You may wish to remove the log set to gain a better view of the pilot (see page 22).**

- d Keep the gas control knob depressed for 30 seconds once it is lit.
- e Release the gas control knob. If the pilot goes out, repeat step C. If the pilot refuses to stay lit, call your dealer for service. With the pilot lit, proceed to step "f".

**NOTE:**

**If the gas control knob is turned to "OFF" after the pilot has been lit for several seconds, the knob will not turn. This safety feature prevents gas from entering the firebox.**

- f Replace the glass.
- g Turn the gas control knob counter-clockwise to "ON". The pilot is now lit and the heater can be turned on and off.



## Starting the Stove for the First Time

### Fumes from the Painted Surfaces Curing

Burn the heater at a medium setting for approximately one hour the first time. This will cure the painted surfaces. **Fumes** from the paint curing and oil burning off the steel may occur. This is normal. We recommend you open the window to vent the room.

### Condensation

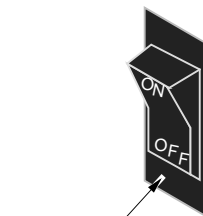
Water may appear on the glass each time you start the heater - this is normal.

### Blue Flames

The flames will be blue when first started. After fifteen minutes the flames will turn a more realistic yellow and orange color.

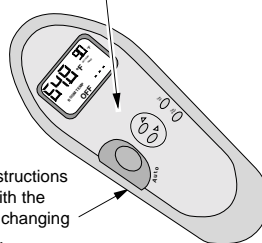
## Turning the Stove On and Off

After the pilot has been started...



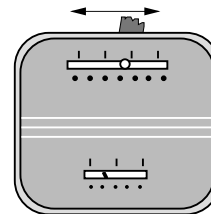
Use this switch to turn the main burner on and off manually.

See the instructions included with the remote for details on operation.



See the instructions included with the remote for changing the battery.

For systems with wall thermostats, use this switch to control the temperature (right is hotter, left cooler). Some systems require the on/off switch to be on.

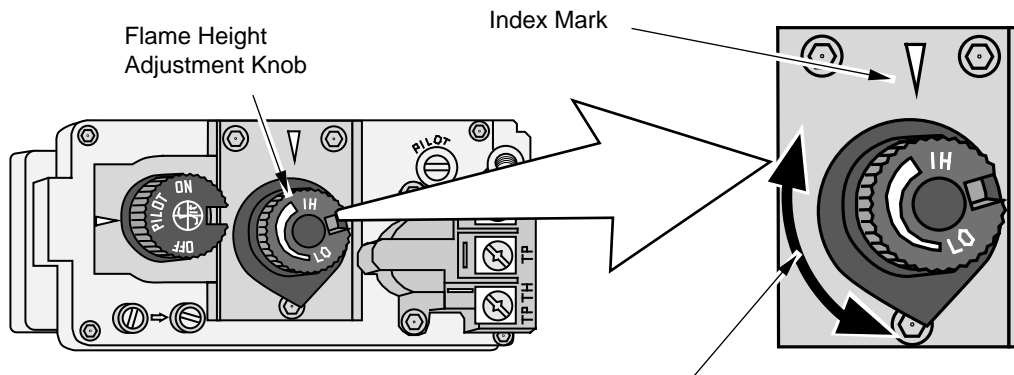


**Warning:** Do not place combustible items on top or directly in front of the heater, even temporarily. The optional thermostat may start the heater causing a combustible item to ignite.

**Note:** If the heater turns on and off frequently while using the thermostat, you may want to adjust the flame height down until it produces just enough heat needed.

## Adjusting the Flame Height

- + Your stove has an adjustable flame to tailor the look and heat output to your specific needs. It is adjusted by turning the middle dial on the gas control valve.



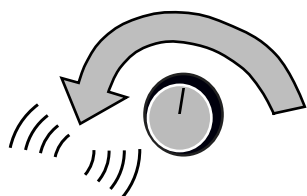
Turn counter-clockwise to adjust the flame higher, clockwise to lower.

## Adjusting the Blower Speed (optional)

The blower helps transfer heat from the heater into the room. It will not turn on until the heater is up to temperature (approximately 10 minutes after starting). See the illustration below for instructions on adjusting the blower speed.

### OFF

Turn the dial all the way counter-clockwise until it clicks off.



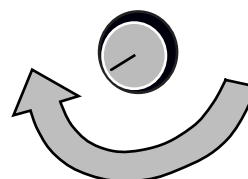
### HIGH

The high position is all the way counter-clockwise, without clicking off.

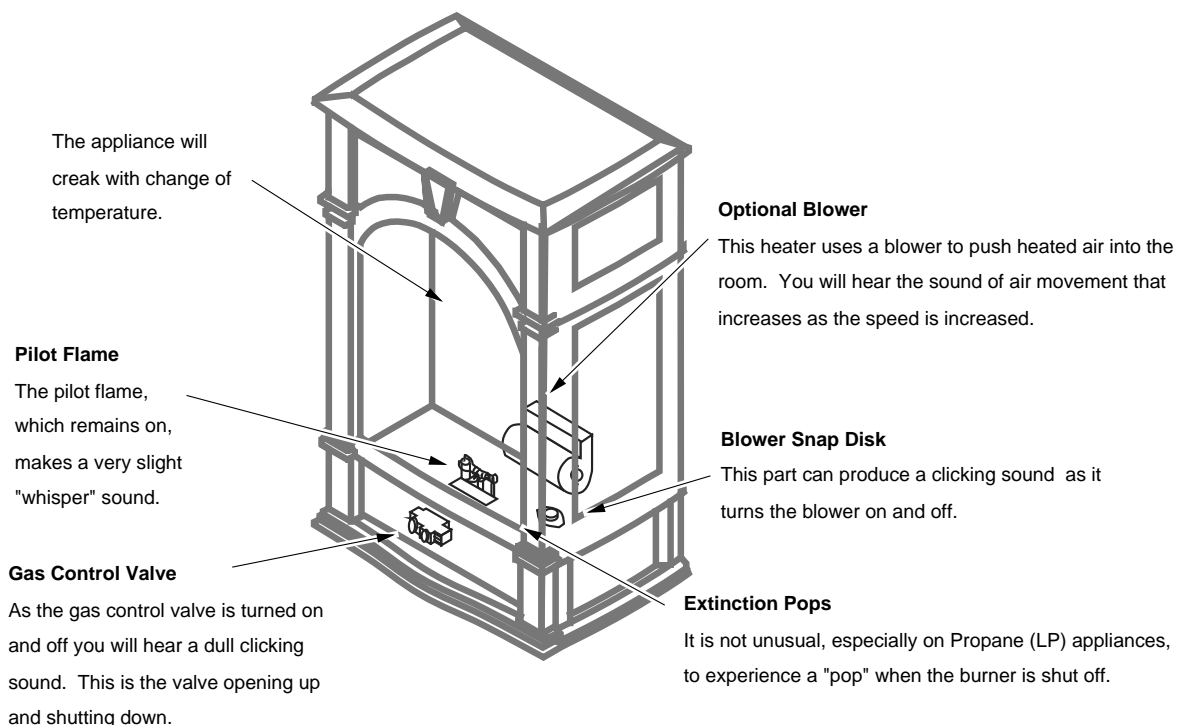


### LOW

Turn the dial all the way clockwise.



## Normal Operating Sounds



## Normal Operating Odors

This appliance has several areas that reach high temperatures. Dust or other particles on these areas may burn and create a burnt-paper smell. This is normal during startup. You may notice the smell is more acute if the appliance was left idle for a long period.

## Maintaining Your Stove's Appearance

**WARNING:** Make sure the appliance has fully cooled prior to cleaning.

### Painted Surfaces

- Painted surfaces should be cleaned with a duster. If scratches occur, lightly sand the area with fine sandpaper. Clean the area and, with the stove cool, apply one or two thin coats of stove paint to the area (mask the area to avoid overspray). Allow the stove to dry, then turn the stove on to cure the paint (1 hour on medium).

### Enamel Surfaces

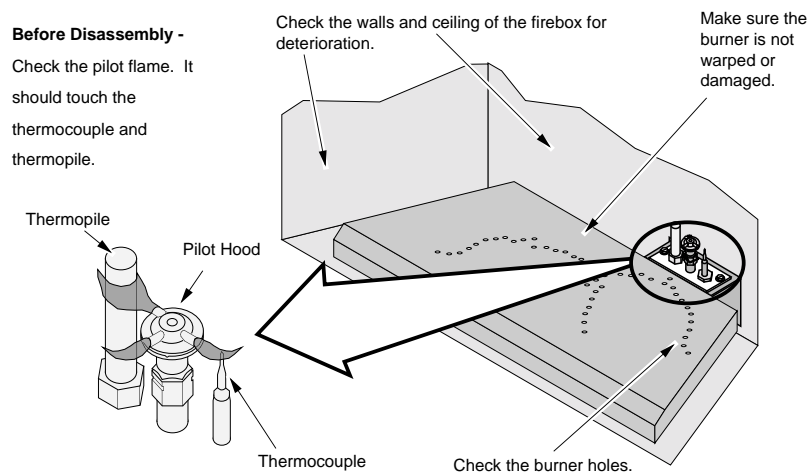
- Use only soft cloth and water to clean enamel surfaces. To fix chips in the enamel, follow the directions below:
  - Let the stove cool. Clean the area thoroughly.
  - Shake the Travis Enamel Touch-Up thoroughly. Apply to the damaged area.

### Glass

- Clean the glass with soap and water (do not use abrasives). To remove the glass, follow the instructions on page 19-20.

## Yearly Service Procedure

- Failure to inspect and maintain the fireplace may lead to improper combustion and a potentially dangerous situation. We recommend the following procedures be done by a qualified technician.
  - Check the pilot flame. It should touch approximately 3/8" of the top of the thermopile and touch the top of the thermocouple (see illustration below). If it does not, contact your dealer for service.
  - Shut off gas to the fireplace by turning the gas control knob to "OFF" (see step A under "Starting the Pilot" on page 27). Let the fireplace cool for 15 minutes. Remove the top, face and glass (see page 19-20).
  - Remove the log set (**NOTE: the logs are very fragile** - see page 22). If severely deteriorated, replace. Check the logs for sooting. A small amount of soot along the bottom of the logs is normal. If excessive sooting is found, the fireplace will require adjustment. Contact your dealer.
  - Clean the burner (especially the burner holes) and inspect the following:
    - Make sure the burner is not warped, cracked, or damaged.
    - Check the firebox and area around the pilot to make sure there is no warping or damage.
 If any problem is found, discontinue use and contact your dealer for service.



- Replace the log set. Clean and replace the glass (use non-abrasive cleaner - if damaged, replace). Make sure the gasket along the perimeter of the glass contacts the face of the firebox and forms an air-tight seal. If it does not, re-align or replace the gasket to insure an air-tight seal. Replace the faceplate.
- Inspect the area behind the access door. Clean if necessary. Check the gas control valve and the gas lines. If damage is found, discontinue use and contact your dealer for service. Clean the air channels and ducts.
- Start the pilot and turn on the main burner. The flames should be orange/yellow and not touch the top of the firebox. If the pilot or main burners do not burn correctly, contact your dealer for service. Monitor the blower operation.
- Remove any debris or vegetation near the vent termination. Contact your dealer if any sooting or deterioration is found near the vent termination.

## Troubleshooting Table

| <b>Problem:</b>                            | <b>Possible Cause:</b>  | <b>Don't Call for Service Until You:</b>  |
|--|---|---|
| <b>Pilot Will Not Light</b>                | A gas shut off valve is turned off _____<br>The gas control knob isn't turned to "PILOT" _____<br>The valve control knob isn't pushed in _____<br>The igniter wasn't pressed repeatedly _____<br>No Propane in Tank _____   | Check all gas shut off valves<br>See "Starting the Pilot Light" Step C<br>See "Starting the Pilot Light" Step C<br>See "Starting the Pilot Light" Step C<br>Check Tank Level  |
| <b>Main Burners Will Not Start</b>         | The pilot light has gone out _____<br>The gas control valve is turned to "PILOT" or "OFF" _____<br>The ON/OFF switch is turned to "OFF" _____<br>The remote control is not working correctly _____<br>The thermostat is set too low _____   | See "Starting the Pilot Light"<br>See "Starting the Pilot Light"<br>Turn the ON/OFF switch to "ON"<br>See the remote control instructions<br>Set thermostat to higher temperature                                       |
| <b>Remote Control Does Not Work</b>        | The pilot light has gone out _____<br>The gas control valve is turned to "PILOT" or "OFF" _____<br>ON/OFF switch is turned to "ON" (stove stays on), _____<br>The remote is too far away from the stove _____<br>The remote control receiver is turned "Off" _____<br>One of the two remote control batteries is dead _____ | See "Starting the Pilot Light"<br>See "Starting the Pilot Light"<br>Turn the ON/OFF switch to "OFF"<br>Use the remote closer to the stove<br>See the remote control instructions<br>See the remote control instructions |
| <b>Thermostat Does Not Work</b>            | The pilot light has gone out _____<br>The gas control valve is turned to "PILOT" or "OFF" _____<br>ON/OFF switch is turned to "ON" (stove stays on), _____<br>The thermostat is set too low _____   | See "Starting the Pilot Light"<br>See "Starting the Pilot Light"<br>Turn the ON/OFF switch to "OFF"<br>Set thermostat to higher temperature   |
| <b>Optional Blower Does Not Work</b>       | The stove is not getting electricity _____<br>The stove is not up to temperature _____  | Check the breaker switch<br>See "Operating Your Stove"  |
| <b>Pilot Goes Out Once A Month Or More</b> | The gas supply has been shut off _____  | Keep the gas supply turned on   |
| <b>Flames Are Too Blue</b>                 | The stove has just been started _____<br>Improper air shutter adjustment _____  | This is normal - see "Starting the Stove for the First Time"<br>Adjust Air Shutter - contact your dealer  |
| <b>Flames Are Too Short (Under 6")</b>     | The flame height may be turned too low _____  | Turn the flame height to "HI" -<br>See "Adjusting the Flame Height"   |
| <b>Thin Layer of Soot Covers the Glass</b> | The logs or coals are placed incorrectly _____<br>Improper air shutter adjustment _____   | See "Log Set Installation & Removal"<br>Adjust Air Shutter - contact your dealer  |

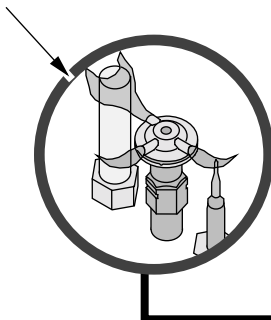
## How this Stove Works

- ! This stove was designed with safety as the primary concern. Many of the components inside this stove are for safety purposes. Therefore, only certified gas service technicians should service this stove.

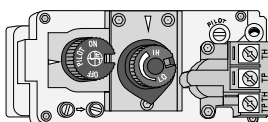
### What Turns the Main Burners On and Off

This stove uses a millivolt system to control its operation (a millivolt is a very small amount of electricity). The thermopile and thermocouple generate electricity when heated by the pilot flame. This electricity is used to operate the gas valve. Without enough electricity, the gas valve will not turn on. That is why when starting the pilot the gas control knob has to be pressed in long enough for the thermocouple to heat up and generate enough electricity. The thermopile provides power for the ON/OFF switch, remote control, or thermostat (see the illustration below). Because the thermopile generates the electricity needed to turn the stove on and off, this stove can be operated when the power is out (although the blower will not run).

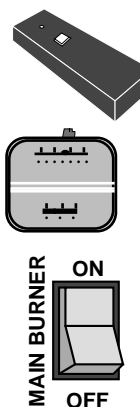
When heated, the thermopile generates electricity (a very small amount measured in "Millivolts").



This electricity is used to operate the main burners.



The main burners are switched on and off using the electricity generated by the thermopile. The ON/OFF switch, remote control, or thermostat control the circuit to the main burner.

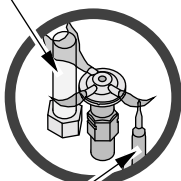


### What Prevents Gas Buildup

- + This appliance utilizes a high-technology gas valve in conjunction with a pilot flame to ensure no gas builds up inside the firebox.
- + The thermocouple (next to the pilot) senses when the pilot flame is lit. If the pilot flame goes out, this thermocouple no longer generates electricity, causing the gas valve to automatically shut off all gas to the heater, preventing the pilot from spilling gas into the firebox.

#### Pilot Flame

The pilot flame is a time-proven component that eliminates the possibility of gas buildup inside the firebox.

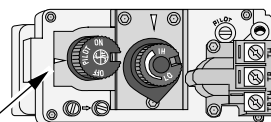


#### Thermocouple

The thermocouple generates a small amount of electricity. If the pilot flame goes out, the gas valve automatically shuts off all gas.

#### Gas Valve

This high-technology valve automatically shuts off all gas if it does not receive a signal from the thermocouple. If any component is damaged or sensing a malfunction, or if the wiring is damaged, it will shut off all gas.

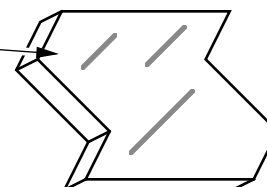


#### External Shut Off Valve

This valve is placed on the gas line to shut off gas to the appliance during maintenance procedures.

#### Ceramic Glass

The glass in your heater is the most durable glass available. It has been tested to be extremely resistant to breakage from temperature changes.

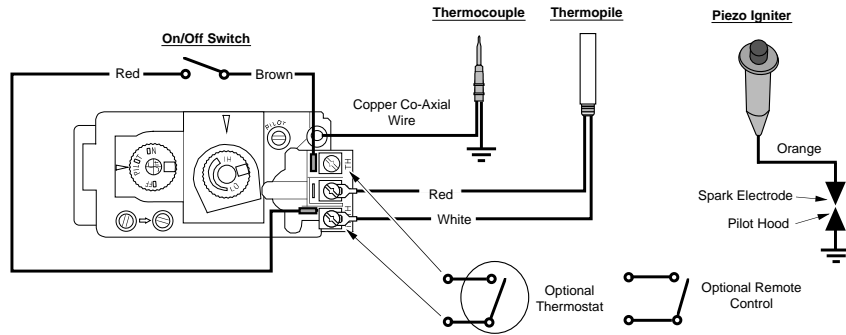




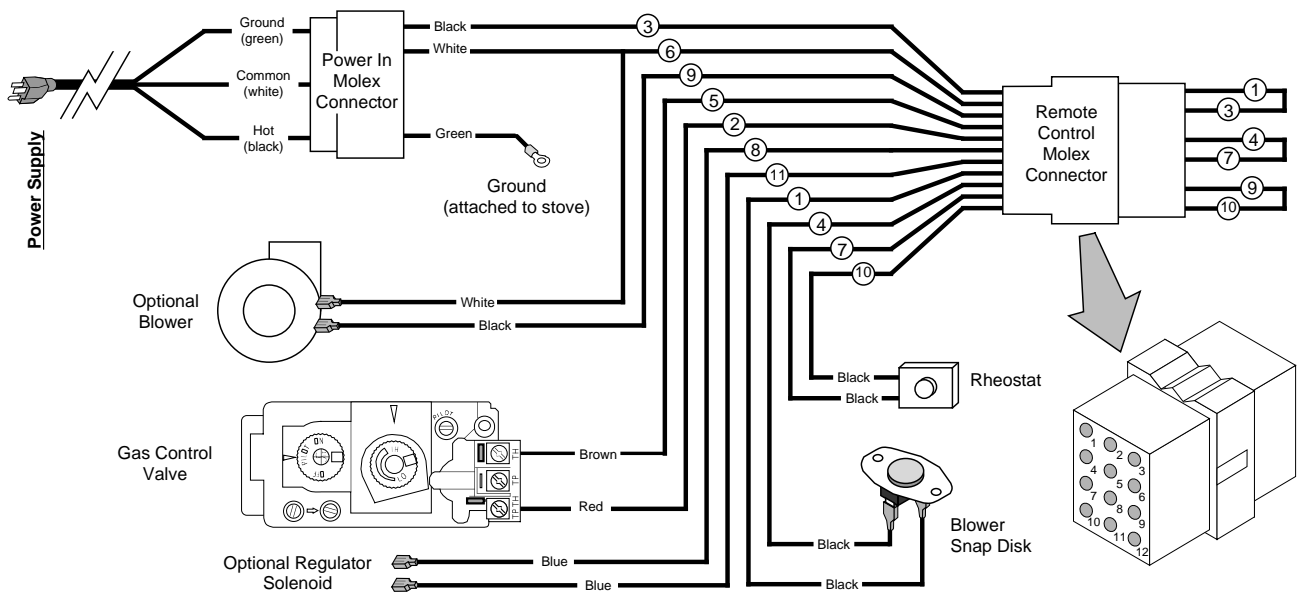
## Wiring Diagram

**Caution:** Label all wires prior to disconnection when servicing controls. Wiring errors can cause improper and dangerous operation. Verify proper operation after servicing.

### Millivolt Wiring (for gas control valve)



### 120 Volt Wiring



## Replacement Parts List

**Caution:** Use only Travis Industries replacement parts. Do not use substitute materials.

|   |            |   |           |
|---|------------|---|-----------|
| BLOWER MOUNT GRMT/SPACER (4)# - 1997+ PEL/1995+ GAS           | 93005017   | LOG EMBERS, E3 - LARGE BAG # - 2001 & UP              | 90006819  |
| BURNER ASSY (EF), B33 LP/NG - 2004 & UP G29, G36, G37         | 226-20033  | LOG EMBERS, ROCK WOOL #                               | 93006053  |
| CONV BLOWER S-ASSY - G36/G37                                  | 228-10067  | LOG SET, LS18 - THREE PIECE# - G29, G36, G37          | 172-00018 |
| CONV PARTS, LP - G29, G36, G37 - #288                         | 225-10288  | MAGNET w/OUT SHEATH - w/ MOUNTING HW                  | 250-00002 |
| CONV PARTS, NG - G29, G36-G37                                 | 225-10313  | MANUAL, SWEET DREAMS -                                | 100-01155 |
| DILUTION COVER ASSY, SWEET- - DREAMS/21 DV RV FP              | 221-12118  | ORIFICE, BURNER - No. 49 # - 1.180" BRASS HEX (.073)  | 100-05210 |
| DOOR HINGE, LEFT - 16 GA EG - 2.771 x 1.106                   | 210-05197L | ORIFICE, BURNER - No. 56 # - 1.180" BRASS HEX (.0465) | 100-05214 |
| DOOR HINGE, RIGHT - 16 GA EG - 2.771 x 1.106                  | 210-05197R | PAINT, NEW IRON 4oz - 24 EA/CASE                      | 100-02403 |
| DOOR PULL - 16 GA CR - 1.805 x 1.000                          | 210-11357  | PIEZO IGNITER, ALL GAS UNITS                          | 100-05110 |
| ENAMEL TOUCH-UP - OXFORD(BRN) - 15 ml BOTTLE                  | 100-02406  | PILOT ASSY, NG - S.I.T. # - COMPLETE                  | 100-05403 |
| ENAMEL TOUCH-UP - TAUPE - 15 ml BOTTLE                        | 100-02408  | POWER CORD, w/MOLEX CONNECTOR - (TERMINATED)          | 100-00260 |
| FIREBOX BAFFLE - 18 GA ALZ - 13.180 x 3.352                   | 210-05108  | REMOTE HRNS PLUG, 3-LOOP # - MODULATING (12 PIN)      | 99300663  |
| FLUE STARTER SCTN (8" od), G29 - 2.250" TALL - 32/CARTON      | 172-02011  | RHEOSTAT, RECTANGULAR - w/OFF - (WALL)                | 100-00122 |
| FUSE (BLADE) - (5) 3 AMP - # - LOW VOLTAGE - REMOTE           | 100-00212  | SNAP-DISC - 120deg NO # - NORMALLY OPEN               | 100-00231 |
| GLASS LATCH ASSY, ALL UNITS - w/GLASS FRAME ASSEMBLY          | 221-22005  | STOVE PACK, SWEET DRMS NI '03 - #376                  | 225-10376 |
| GLASS SPRING PIN ASSY, 2004+ - ALL UNITS w/GLASS FRAME        | 221-22220  | STOVE PACK, SWT DRMS TPE 2003 - #388                  | 225-10388 |
| GLASS w/FAME ASSY, G29/G36 - (2004) & G37 - NEW STYLE         | 224-21010  | SWITCH, ON/OFF - SMALL, GAS # - 1996 & UP             | 98900747  |
| GLASS w/FAME ASSY, G29/G36 - (2003) - OLD STYLE ASSY          | 224-21008  | THERMOSTAT, RETRO KIT-NON MOD -                       | 99300647  |
| HINGE ASSY COMPLT LT LG / SD                                  | 230-00765  | TOOL, GLASS LATCH/RESTRICTOR/ - SCRAPER               | 100-02302 |
| HINGE ASSY COMPLT RT LG / SD                                  | 230-00766  | TOOL, KEY - DIE CAST ZINC - 1/4" x 3.75"              | 100-02314 |
| HINGE BRKT ASSY, LEFT, LG/SD                                  | 230-00493  | VALVE REGULATOR, LP SIT - S.I.T. # 907.211            | 100-05510 |
| HINGE BRKT ASSY, RIGHT, LG/SD                                 | 230-00494  | VALVE REGULATOR, NG SIT # - S.I.T. # 907.205          | 100-05511 |
| HW PACK, BLOWER - SWEET DREAMS - #386                         | 225-10386  | VALVE, NG - S.I.T. (2.2-3.5) - S.I.T. # 820.706       | 100-05509 |
| HW PACK, LEGS - SWEET DREAM - #377                            | 225-10377  | WIRE HRNS EXT, MOD REMOTE                             | 100-00304 |
| INJECTOR, PILOT - LP (#35) # - (ORIFICE) USE w/SIT PILOT ONLY | 100-05217  | WIRE HRNS, MAIN - G21, G31(2), - G35, G36 - SWITCH    | 100-00360 |
| KNOB (PLASTIC), RHEOSTATS # - BLACK W/GOLDLINE                | 100-04111  | WIRE HRNS, MAIN G29, G37/BLWR - G36 (NO SWITCH)       | 100-00403 |

A copy of the safety (listing) label (adhered to the back of the stove) is shown below.

Tested & Listed By Overton Oregon USA  
OMNI-Test Laboratories, Inc.  
Report No. 028-S-55-5

Sweet Dreams DV  
Vented Gas  
Fireplace Heater

Tested and certified by OMNI-Test Laboratories, Inc. to the combustion performance and construction requirements of ANSI Z21.88-2002, and applicable sections of UL 307b.

The Sweet Dreams DV is equipped from the factory only for use with Natural Gas. For conversion to LP (Propane) use kit supplied by the manufacturer. This appliance must be installed in accordance with all local codes, if any; if not, follow ANSI Z223.1 and NFPA 54. Installation in Manufactured or Mobile Homes must conform with: Manufactured Home Construction and Safety Standard, Title 24 CFR, Part 3280. This appliance is only for use with the type of gas indicated on the rating plate and may be installed in an aftermarket, permanently located, manufactured (mobile) home where not prohibited by local codes. See owner's manual for details. This appliance is not convertible for use with other gases, unless a certified kit supplied by the manufacturer is used. See owner's manual for information on making these changes. This appliance uses a millivolt-type control system consisting of a gas control valve/regulator, a standing pilot burner assembly, a thermopile, a thermocouple, a piezo ignitor, and the ON/OFF switch. **THIS UNIT DOES NOT REQUIRE 110 VOLT POWER TO OPERATE.** All exhaust gases must be vented outside the structure of the living-area. Combustion air is drawn from outside the living-area structure.

**Vented Gas Fireplace Heater. Not for use with Solid Fuel.**

**WARNING:** Improper installation, adjustment, alteration, service or maintenance can cause injury or property damage. Refer to the owner's information manual provided with this appliance. For assistance or additional information consult a qualified installer, service agency or the gas supplier.

**WARNING:** Operation of this appliance when not connected to a properly installed and maintained venting system can result in carbon monoxide (CO) poisoning and possible death.

Installation and repair should be performed by a qualified service person. The appliance should be inspected before use and at least annually by a qualified service person. More frequent cleaning may be required where excessive lint from material like carpeting and bedding is present. The control compartment, the burner compartment and all circulating air passageways of the appliance must be kept clean and clear at all times.

This appliance must be properly connected to a venting system in accordance with the manufacturer's installation instructions.

This vented gas fireplace heater is not for use with air filters.

Due to high temperatures, the appliance should be located out of traffic and away from furniture and draperies.

Children and adults should be alerted to the hazards of high surface temperature and should stay away to avoid flesh burns or clothing ignition. Young children should be carefully supervised at all times when they are in the same room as the appliance.

Use direct vent systems listed in owner's manual to vent this appliance to the exterior.

**CAUTION:** Hot while in operation. Do not touch. Keep children, clothing, furniture, gasoline and other liquids having flammable vapors away. Do not operate this appliance with glass removed, cracked or broken. Replacement of the panel(s) should be done by a licensed or qualified service person.

---

**Minimum Clearances to Combustibles**

|                          |     |                         |       |
|--------------------------|-----|-------------------------|-------|
| Unit to Sidewall .....   | 3"  | Alcove Min. Height..... | 48"   |
| Unit to Backwall .....   | 1"  | Alcove Max. Depth.....  | 30"   |
| Unit to Cornerwall ..... | 1"  | Alcove Min Width.....   | 29.5" |
| Front of Unit .....      | 36" |                         |       |

---

**FAN TYPE VENTED CIRCULATOR**  
Blower Electrical Rating: 115V, 1.5 Amps, 60 Hz

|                                   | L.P.   | N.G.   |   | L.P.  | N.G. |
|-----------------------------------|--------|--------|---|-------|------|
| Input Rate on "HI" (BTU/Hr) ..... | 16,500 | 16,500 | Minimum Inlet Pressure (inches W.C.) .....    | 11.5" | 5.5" |
| Input Rate on "LO" (BTU/Hr) ..... | 12,800 | 13,800 | Maximum Inlet Pressure (inches W.C.) .....    | 13"   | 7"   |
| Orifice Size .....                | DMS 56 | DMS 49 | Manifold Pressure on "HI" (inches W.C.) ..... | 11"   | 3.5" |

This appliance is equipped for installation from 0-2000 ft. For altitudes above 2,000 feet, the vent configuration, orifice, or combination of both may need to be changed. See owner's manual for information on making these changes.

Manufacture  2004  Jan.  Apr.  Jul.  Oct.  
Date:  2005  Feb.  May  Aug.  Nov.  
IGN  2006  Mar.  Jun.  Sep.  Dec.

4800 Harbour Pointe Blvd. SW Mukilteo, WA 98275

0523

A copy of the instruction label (on a tag near the gas control valve) is shown below.

**FOR YOUR SAFETY READ BEFORE LIGHTING**

**LIGHTING INSTRUCTIONS**

**TO TURN OFF GAS TO APPLIANCE**

A. This appliance is equipped with an ignition device which must be lighted by hand. When lighting the pilot, follow these instructions exactly.

B. **BEFORE LIGHTING**, smell all around the appliance area for gas. Be sure to smell not to the floor because some gas is heavier than air and will settle on the floor.

**WHAT TO DO IF YOU SMELL GAS:**

- Do not try to light any appliance.
- Do not touch any electric switch; do not use any phone in your building.
- Immediately call your gas supplier from a neighbor's phone. Follow the gas supplier's instructions.
- If you cannot reach your gas supplier, call the fire department.

C. Use only your hand to push in or turn the gas control knob. Never use tools. If the knob will not push in or turn by hand, don't try to repair it, call a qualified service technician. Force or attempted repair may result in a fire or explosion.

D. Do not use this appliance if any part has been under water. Immediately call a qualified service technician to inspect the appliance and to replace any part of the control system and any gas control which has been under water.

E. Do not block any control compartments, screens or circulating air passageways. These areas provide air necessary for safe operation.

DO NOT REMOVE THIS INSTRUCTION PLATE

1. STOPI Read the safety information to the left and at the bottom of this label before proceeding.
2. Set the thermostat to lowest setting (if applicable).
3. Turn off the blower (room air fan) on the appliance (if applicable).
4. Push the gas control knob in slightly and turn it clockwise to the "OFF" position.

NOTE: The knob will not turn from "ON" to "OFF" unless the knob is depressed slightly. Do not force.

5. Wait five (5) minutes to clear out any gas. Then smell for gas, including near the floor. If you smell gas, STOPI Follow "B" in the safety information to the left on this label. If you don't smell gas, go to the next step.
6. Turn gas control knob counterclockwise to the "PILOT" position.

IGNITER

7. A) Press the knob in and hold.
- B) Immediately press the igniter button repeatedly until the pilot is lit. **WARNING:** If the pilot does not light after 15 seconds, release the knob and call your dealer for service.
- C) Keep the gas control knob depressed for 30 seconds once the pilot is lit.
8. Release the gas control knob. If the pilot goes out, repeat step 7.

• If the knob does not pop up when released, stop and immediately call your service technician or gas supplier.

1. Set the thermostat to lowest setting (if applicable).
2. Turn off the blower (room air fan) on the appliance.
3. Push the gas control knob in slightly and turn it clockwise to the "OFF" position.

NOTE: The knob will not turn from "ON" to "OFF" unless the knob is depressed slightly. Do not force.

If the pilot will not stay lit after several tries, turn the gas control knob to "OFF" and call your service technician or gas supplier.

9. Turn the gas control knob counterclockwise to "ON".
10. Turn on the blower (room air fan) on the appliance.
11. Set the thermostat to desired setting (if applicable) or use the ON/OFF rocker switch or remote control to operate the main burner.

**WARNING:** IF YOU DO NOT FOLLOW THESE INSTRUCTIONS EXACTLY, A FIRE OR EXPLOSION MAY RESULT, CAUSING PROPERTY DAMAGE, PERSONAL INJURY OR LOSS OF LIFE. WHEN LIGHTING OR RE-LIGHTING THE PILOT, THE DOOR MUST BE OPEN OR THE GLASS REMOVED. AFTER THE PILOT IS LIT, CLOSE AND LATCH THE DOOR OR REPLACE THE GLASS BEFORE LIGHTING THE BURNER.

0330

Travis Industries

100-01155

4040903

# Limited 7 Year Warranty

35

To register your TRAVIS INDUSTRIES, INC. 7 Year Warranty, complete the enclosed warranty card and mail it within ten (10) days of the appliance purchase date to: TRAVIS INDUSTRIES, INC., 4800 Harbour Pointe Blvd. SW, Mukilteo, WA 98275. TRAVIS INDUSTRIES, INC. warrants this gas appliance (appliance is defined as the equipment manufactured by Travis Industries, Inc.) to be defect-free in material and workmanship to the original purchaser from the date of purchase as follows:

Check with your dealer in advance for any costs to you when arranging a warranty call.  
Mileage or service charges are not covered by this warranty. This charge can vary from store to store.

## Years 1 & 2 - COVERAGE: PARTS & LABOR

### Burner Assembly:

Burner Pan, Mixing Tube, Air Shutter Assembly, Main Burner Orifice

### Firebox Assembly:

Adjustable Air Restrictor, Pressure Relief Mechanisms (direct vents only), Glass Attachment Mechanism

### Gas Control Assembly

Adjustable control valve, millivolt wiring and connectors (located within the metal heater structure), thermopile, thermocouple, pilot hood, orifices, pilot gas line, piezo ignitor

### Ceramic Glass

Glass (breakage from thermal shock)

### Ceramic Logs

Log Set, Coals, Ember Strip (Steel Fiber)

### Gold Plating

Gold or Nickel Door, Optional Grill (see "Conditions and Exclusions" # 9)

### Electrical Assembly:

Blower, wiring harness, snap discs, rheostat speed control

### Accessories

Legs, Cast Firebacks

### Convection Heat Exchanger

### Re-Installation Allowance

In cases where heater must be removed from home for repairs, a partial cost of re-installation is covered (pre-authorization required)

### One-Way Freight Allowance

One-way freight allowance on pre-authorized repair done at factory is covered.

**Exclusions:** Paint, Gasketing

## Years 3 THROUGH 5 - COVERAGE: PARTS & LABOR

### Firebox Assembly:

Adjustable Air Restrictor, Pressure Relief Mechanisms (direct vents only), Glass Attachment Mechanism

### Convection Heat Exchanger

### One-Way Freight Allowance

One-way freight allowance on pre-authorized repair done at factory is covered.

**Exclusions:** Paint, Gasketing, Burner Assembly, Electrical Assembly, Gas Control Assembly, Ceramic Glass, Ceramic Logs, Gold & Nickel Plating, Accessories, Re-Installation Allowance

## Years 6 & 7 - COVERAGE: PARTS ONLY

### Firebox Assembly:

Adjustable Air Restrictor, Pressure Relief Mechanisms (direct vents only), Glass Attachment Mechanism

**Exclusions:** Paint, Gasketing, Burner Assembly, Electrical Assembly, Gas Control Assembly, Ceramic Glass, Ceramic Logs, Gold & Nickel Plating, Accessories, Convection Heat Exchanger, Re-Installation Allowance, One-Way Freight Allowance, Labor

## CONDITIONS & EXCLUSIONS

1. This new gas appliance must be installed by a qualified gas appliance technician. It must be installed, operated, and maintained at all times in accordance with the instructions in the Owner's Manual. Any alteration, willful abuse, accident, neglect, or misuse of the product shall nullify this warranty.
2. This warranty is nontransferable, and is made to the ORIGINAL purchaser, provided that the purchase was made through an authorized TRAVIS dealer.
3. Discoloration and some minor expansion, contraction, or movement of certain parts and resulting noise, is normal and not a defect and, therefore, not covered under warranty. The installer must ensure the appliance is burning as per the rating tag at the time of installation. Over-firing (operation above the listed BTU rate) of this appliance can cause serious damage and will nullify this warranty.
4. The warranty, as outlined within this document, does not apply to the chimney components or other Non-Travis accessories used in conjunction with the installation of this product. If in doubt as to the extent of this warranty, contact your authorized TRAVIS retailer before installation.
5. Travis Industries will not be responsible for inadequate performance caused by environmental conditions such as nearby trees, buildings, roof tops, wind, hills or mountains or negative pressure or other influences from mechanical systems such as furnaces, fans, clothes dryers, etc.
6. This Warranty is void if:
  - a. The unit has been operated in atmospheres contaminated by chlorine, fluorine or other damaging chemicals.
  - b. The unit is subject to submersion in water or prolonged periods of dampness or condensation.
  - c. Any damage to the unit, combustion chamber, heat exchanger or other components due to water, or weather damage which is the result of, but not limited to, improper chimney/venting installation.
7. Exclusions to this 7 Year Warranty include: injury, loss of use, damage, failure to function due to accident, negligence, misuse, improper installation, alteration or adjustment of the manufacturer's settings of components, lack of proper and regular maintenance, damage incurred while the appliance is in transit, alteration, or act of God.
8. This 7 Year warranty excludes damage caused by normal wear and tear, such as paint discoloration or chipping, worn or torn gasketing, corroded or cracked logs, embers, etc. Also excluded is damage to the unit caused by abuse, improper installation, modification of the unit, drilling of the orifices, or the use of fuel other than that for which the unit is configured. Units are shipped for natural gas and must be converted to propane using the included conversion kit. Confirm fuel configuration with your installer.
9. Damage to gold, nickel, or brass surfaces caused by fingerprints, scratches, melted items, or other external sources left on the surface is not covered in this warranty. Damage from the use of cleaners other than denatured alcohol on gold or nickel is not covered in this warranty. Damage from the use of abrasive cleaners on brass is not covered in this warranty.
10. TRAVIS INDUSTRIES, INC. is free of liability for any damages caused by the appliance, as well as inconvenience expenses and materials. Incidental or consequential damages are not covered by this warranty. In some states, the exclusion of incidental or consequential damage may not apply.
11. This warranty does not cover any loss or damage incurred by the use or removal of any component or apparatus to or from the gas appliance without the express written permission of TRAVIS INDUSTRIES, INC. and bearing a TRAVIS INDUSTRIES, INC. label of approval.
12. Any statement or representation of TRAVIS products and their performance contained in TRAVIS advertising, packaging literature, or printed material is not part of this 7 year warranty.
13. This warranty is automatically voided if the appliance's serial number has been removed or altered in any way. If the appliance is used for commercial purposes, it is excluded from this warranty.
14. No dealer, distributor, or similar person has the authority to represent or warrant TRAVIS products beyond the terms contained within this warranty. TRAVIS INDUSTRIES, INC. assumes no liability for such warranties or representations.
15. Travis Industries will not cover the cost of the removal or re-installation of hearths, facing, mantels, venting or other components.
16. If for any reason any section of this warranty is declared invalid, the balance of the warranty remains in effect and all other clauses shall remain in effect.
17. THIS 7 YEAR WARRANTY IS THE ONLY WARRANTY SUPPLIED BY TRAVIS INDUSTRIES, INC., THE MANUFACTURER OF THE APPLIANCE. ALL OTHER WARRANTIES, WHETHER EXPRESS OR IMPLIED, ARE HEREBY EXPRESSLY DISCLAIMED AND PURCHASER'S RECOURSE IS EXPRESSLY LIMITED TO THE WARRANTIES SET FORTH HEREIN.

## IF WARRANTY SERVICE IS NEEDED:

1. If you discover a problem that you believe is covered by this warranty, you MUST REPORT it to your TRAVIS dealer WITHIN 30 DAYS, giving them proof of purchase, the purchase date, and the model name and serial number.
2. Travis Industries has the option of either repairing or replacing the defective component.
3. If your dealer is unable to repair your appliance's defect, he may process a warranty claim through TRAVIS INDUSTRIES, INC., including the name of the dealership where you purchased the appliance, a copy of your receipt showing the date of the appliance's purchase, and the serial number on your appliance. At that time, you may be asked to ship your appliance, freight charges prepaid, to TRAVIS INDUSTRIES, INC. TRAVIS INDUSTRIES, INC., at its option, will repair or replace, free of charge, your TRAVIS appliance if it is found to be defective in material or workmanship within the time frame stated within this 7 year warranty. TRAVIS INDUSTRIES, INC. will return your appliance, freight charges (years 1 to 5) prepaid by TRAVIS INDUSTRIES, INC., to your regional distributor, or dealership.
4. Check with your dealer in advance for any costs to you when arranging a warranty call. Mileage or service charges are not covered by this warranty. This charge can vary from store to store.

## 36 **Optional Equipment** (for qualified installers only)

### ***Optional Accessories:***

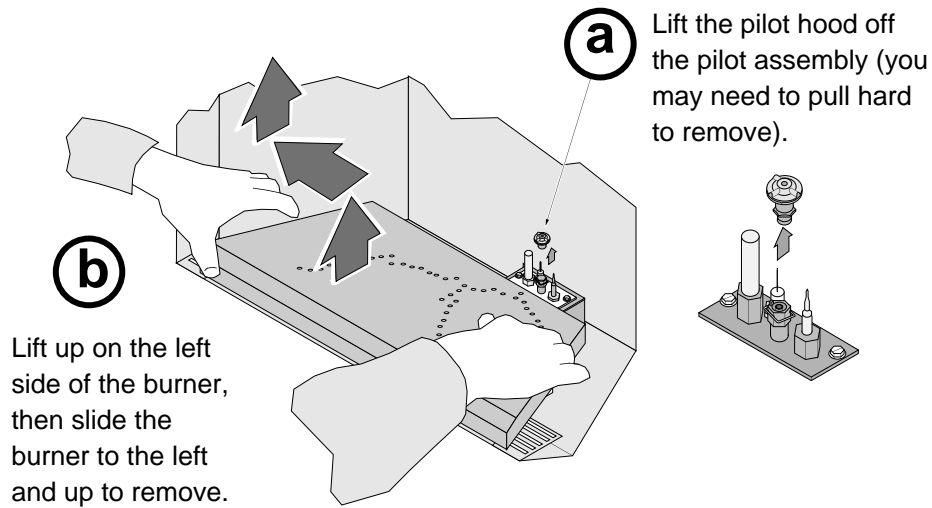
---

- Leg Kit, Tall, Cast Iron, New Iron SKU# 99500115
- Leg Kit, Tall, Cast Iron, Oxford Brown Enamel SKU# 99500118
- Leg Kit, Tall, Cast Iron, Taupe Enamel SKU# 99500119
- Leg Mounting Kit, Sweet Dreams, SKU# 99500110 (See instructions below)
- Door, Double Door, New Iron, Sweet Dreams/Looking Glass SKU# 99300446
- Door, Double Door, Oxford Brown, Sweet Dreams/Looking Glass SKU# 99300447
- Door, Double Door, Taupe, Sweet Dreams/Looking Glass SKU# 99300448
- Stone Kit, Travertine, Sweet Dreams SKU# 99600218
- Cast Kit, Sweet Dreams - Oxford Brown Top & Side Plates SKU# 99600222
- Cast Kit, Sweet Dreams - Taupe Top & Side Plates SKU# 99600223
- Mirror Glass, SKU# 99300481
- Grill, Arabesque - Ant Gold SKU# 91002145
- Grill, Arabesque - Pewter SKU# 91002146
- Interior, Travertine SKU# 98500668
- Interior, Brick Beehive SKU# 98500669
- Interior, Shell - Almond SKU# 98500670
- Wall thermostat SKU# 99300650
- Remote Thermostat SKU# 99300653
- Aromatherapy Tray Option
- Aromatherapy Essential Oils Kit

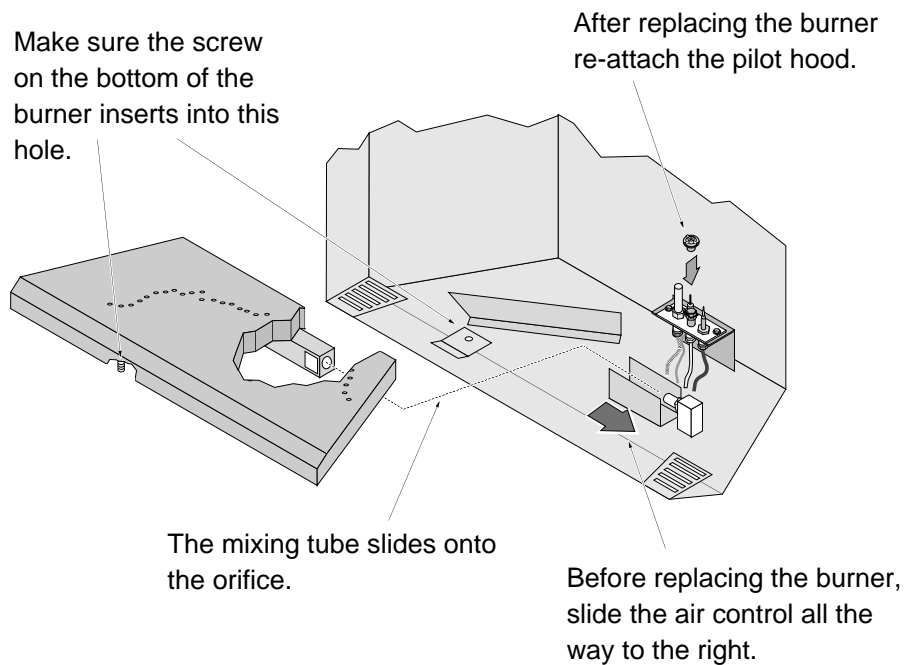
## LP Conversion Instructions

**Install the conversion kit prior to installing the gas line to ensure proper gas use.**

- 1 Remove the face and glass (see page 19-20). Remove the logs and coals (if installed - page 22)
- 2 Remove the burner (see illustration below).



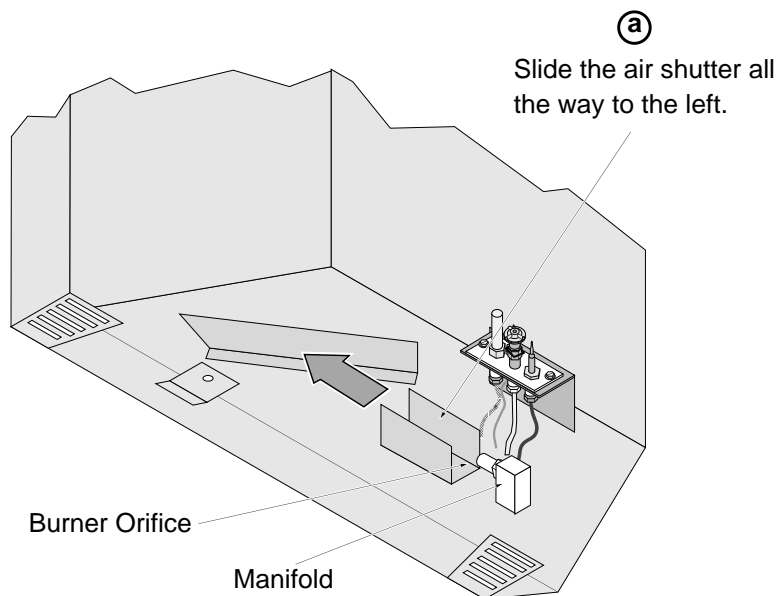
### **Burner Replacement:**



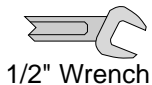
Make sure the burner is fully seated and pilot hood lines up with the burner holes at the rear edge of the burner.

# 38 Optional Equipment (for qualified installers only)

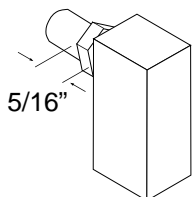
3 Follow the directions below to replace the orifice.



**d** Use a 1/2" open end wrench to unscrew the burner orifice.



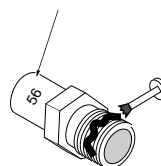
1/2" Wrench



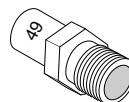
5/16"

**NOTE:**  
Screw the LP orifice in so the orifice shoulder protrudes 5/16" (indicating full insertion).

The new LP orifice has "56" stamped on it.



**e** Apply thread sealant to the new orifice and install.



The old NG orifice has "49" stamped on it.

4 Remove the pilot orifice following the instructions below. Replace with the propane pilot orifice

**a** Lift the pilot hood off the pilot assembly.

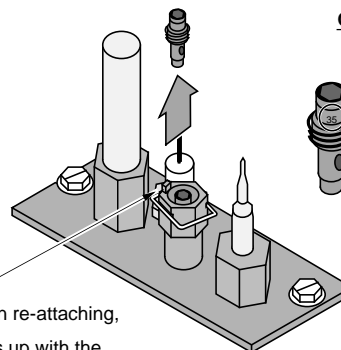
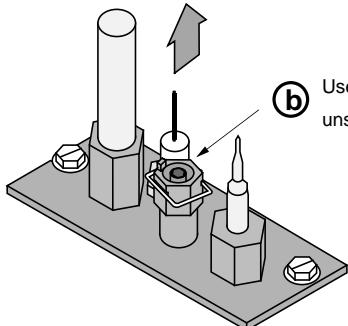


**c** Remove the orifice and replace with the LP orifice. Screw the orifice all the way in and replace the pilot hood.

**b** Use a hex wrench to unscrew the orifice.



5/32" Hex



**Orifice Identification:**

LP (Propane) Orifice

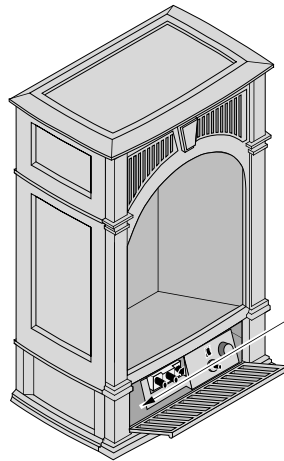
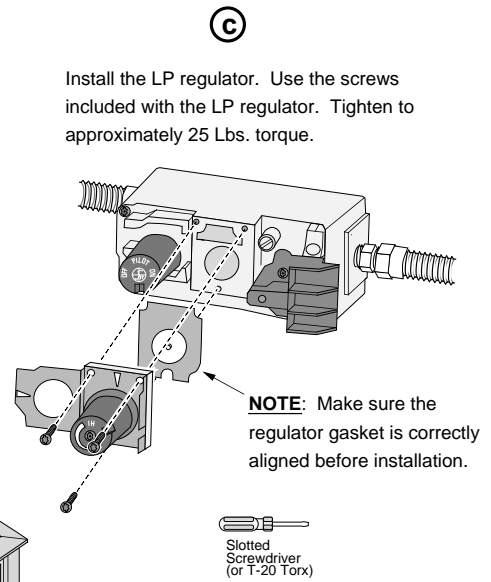
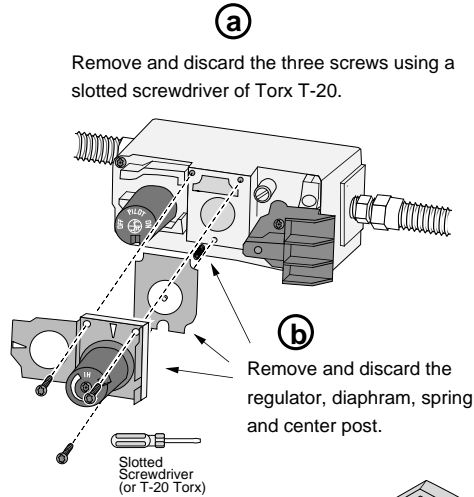
35

NG (Natural Gas) Orifice

62

**NOTE:** when re-attaching, this pin lines up with the notch in the pilot hood.

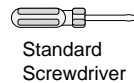
- 5 Install the logs and embers.
- 6 Replace glass and face.
- 7 Remove the regulator from the front of the gas control valve. Replace with the propane regulator, using the new gasket and screws included with the regulator. **NOTE: Leak test this area after the heater is installed, gas is connected, and the main burner is lit.**



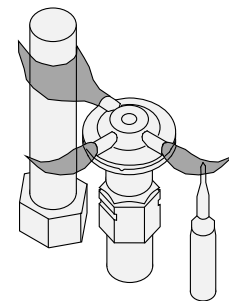
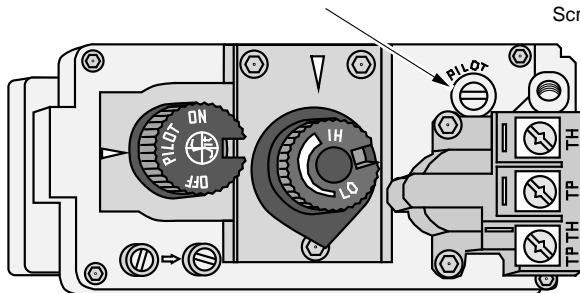
- 9 Make the gas line connection, bleed the gas line (if applicable), start the heater and thoroughly leak-test all gas connections and the gas control valve. Check the pilot. Adjust if necessary.

**WARNING: When lighting or re-lighting the pilot, the glass must be removed (see page 19-20).**

To adjust the pilot flame, turn this screw (NOTE: if totally unscrewed gas will come out of this port). Clockwise lowers the flame while counter-clockwise raises it.



The pilot flame must contact the thermocouple and thermopile (see the illustration below). Adjust the pilot up or down as necessary.



# 40 Optional Equipment (for qualified installers only)

## **Blower** (SKU 99000158)

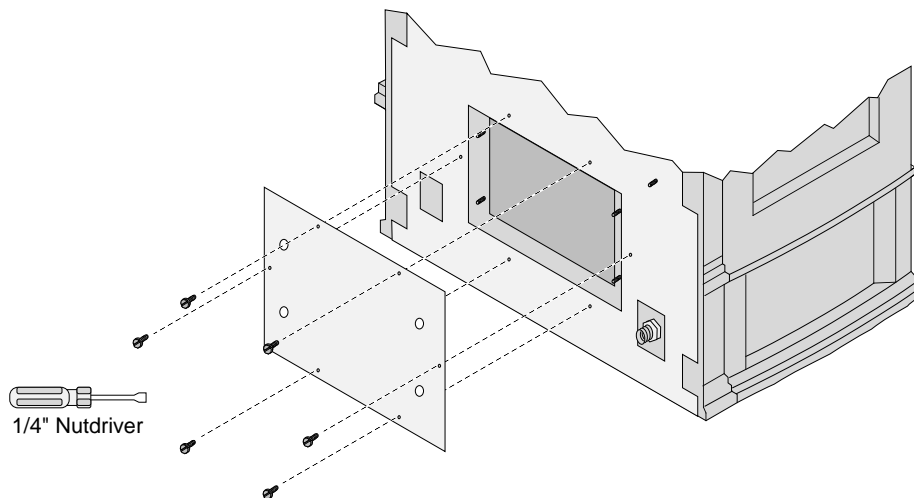
### PACKING LIST

- Blower with Mounting Plate
- Four (4) # 8-32 Center Lock Nuts
- Four (4) Grommets & Bushings
- Wiring Harness with Strain Relief Plate & Power Cord
- Two (2) # 8 x 3/8" HWHSSMS Screws
- Rheostat with Nut, Washer, and Knob

### INSTALLATION INSTRUCTIONS

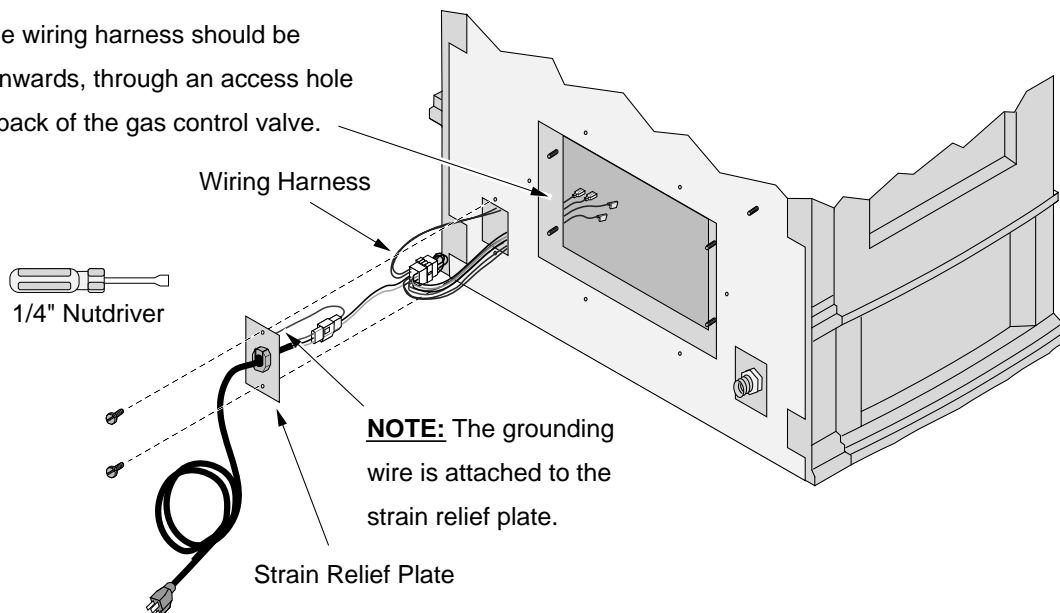
**WARNING:** Make sure the gas has been shut off, power disconnected, and the appliance is cool prior to conducting service.

- 1 Remove the access panel on the back of the stove.



- 2 Insert the wiring harness, with strain relief plate attached, through the hole on the back of the stove. Then attach the strain relief plate to the back plate with the included screws.

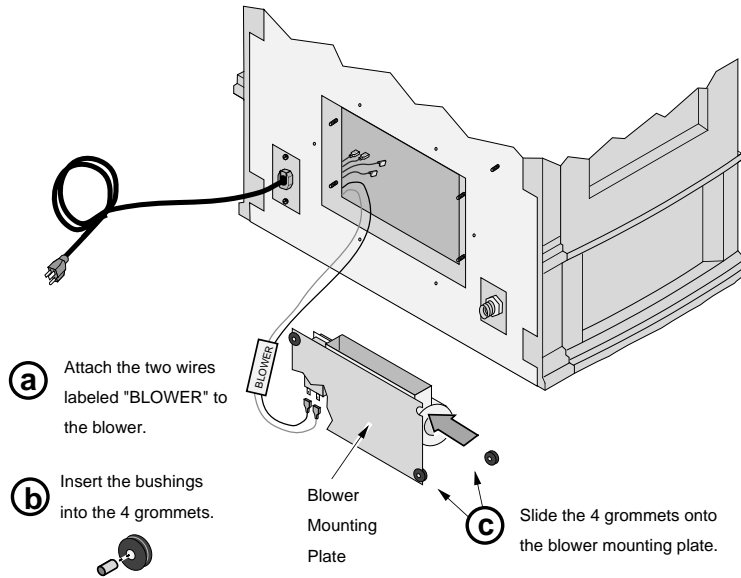
**NOTE:** the wiring harness should be directed inwards, through an access hole near the back of the gas control valve.



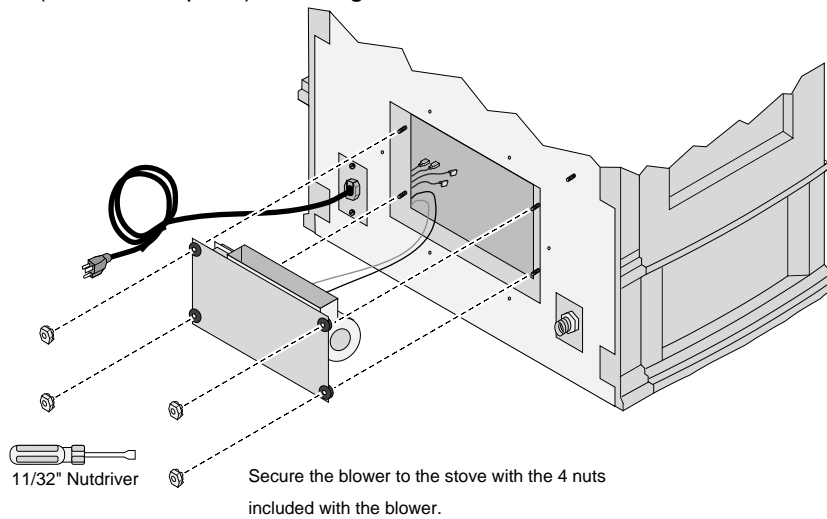


# Optional Equipment (for qualified installers only) 41

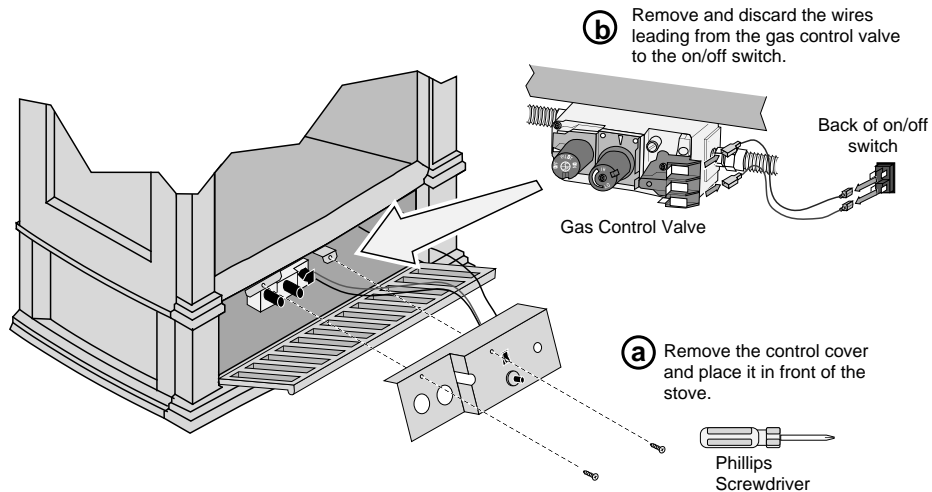
- 3 Attach the blower wires and grommets following the directions below.



- 4 Attach the blower (with blower plate) following the directions below.

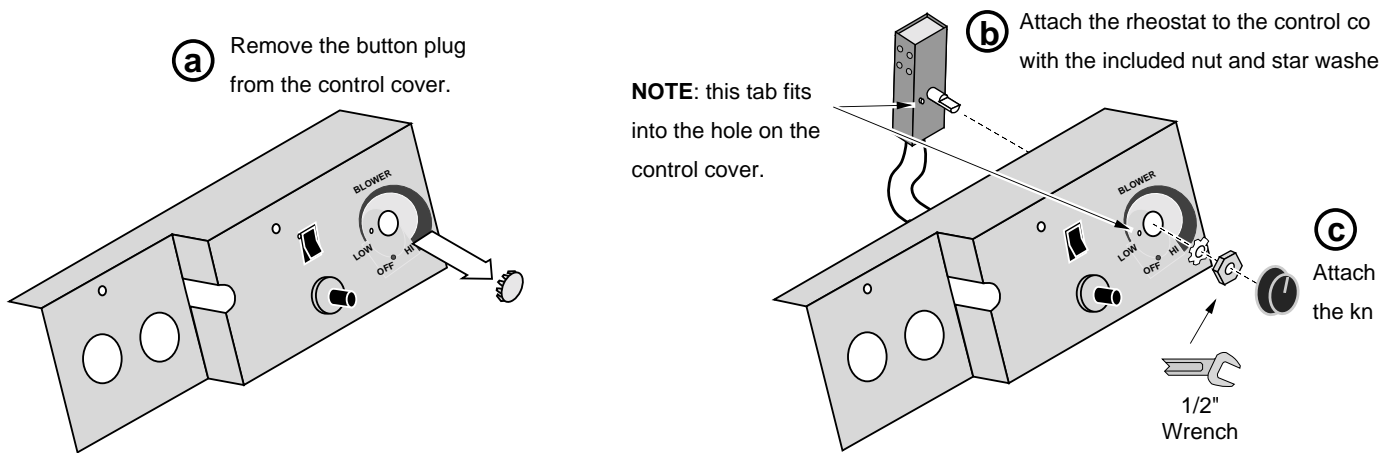


- 5 Replace the access panel (see step # 1 above).
- 6 Remove the control cover and discard the on/off wires following the directions below.

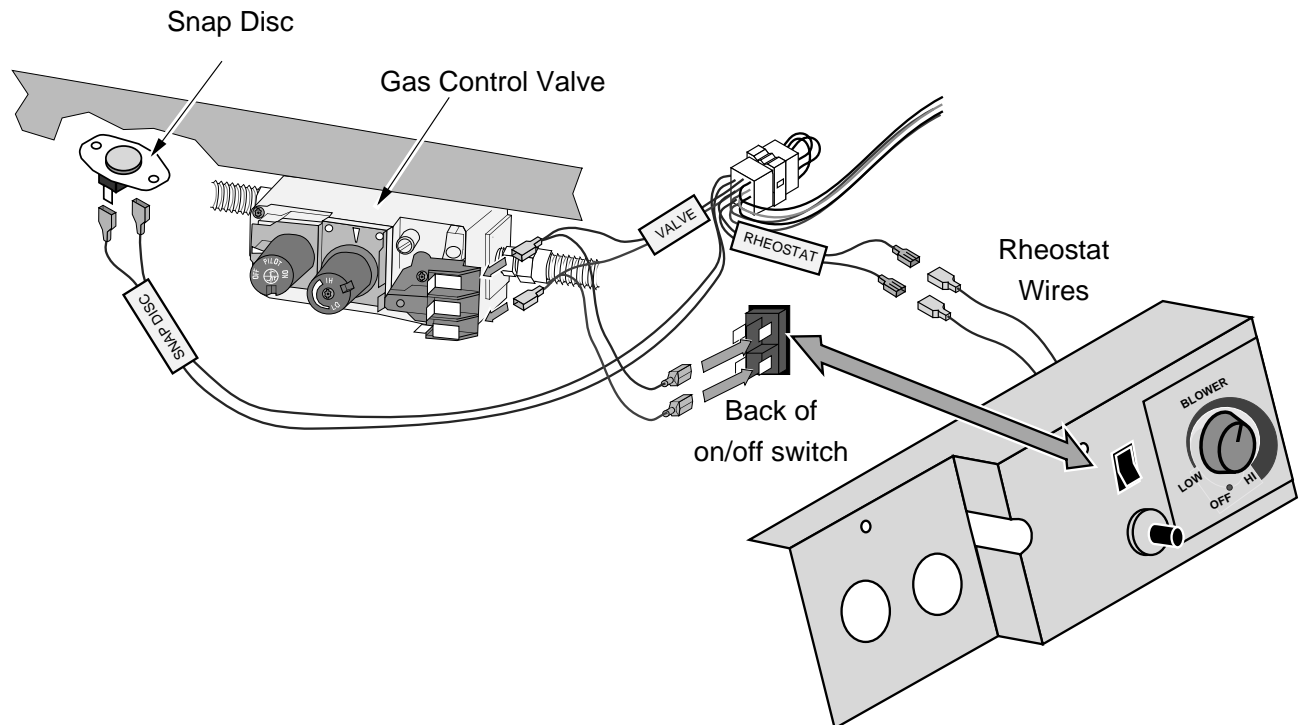


# 42 Optional Equipment (for qualified installers only)

7 Install the rheostat onto the control cover.



8 Attach the wiring harness to the gas control valve, on/off switch, rheostat, and snap disc switch following the directions below.



9 Position the wiring harness under the burner and re-attach the control cover (see step # 6 above). Make sure the wiring harness does not contact the burner or blower.

10 Turn on the appliance and check operation (the blower will not turn on until the stove is at full temperature – 15 minutes on high).

## ***Leg Mounting Kit (SKU 99500110)***

NOTE: The legs must be purchased separately.

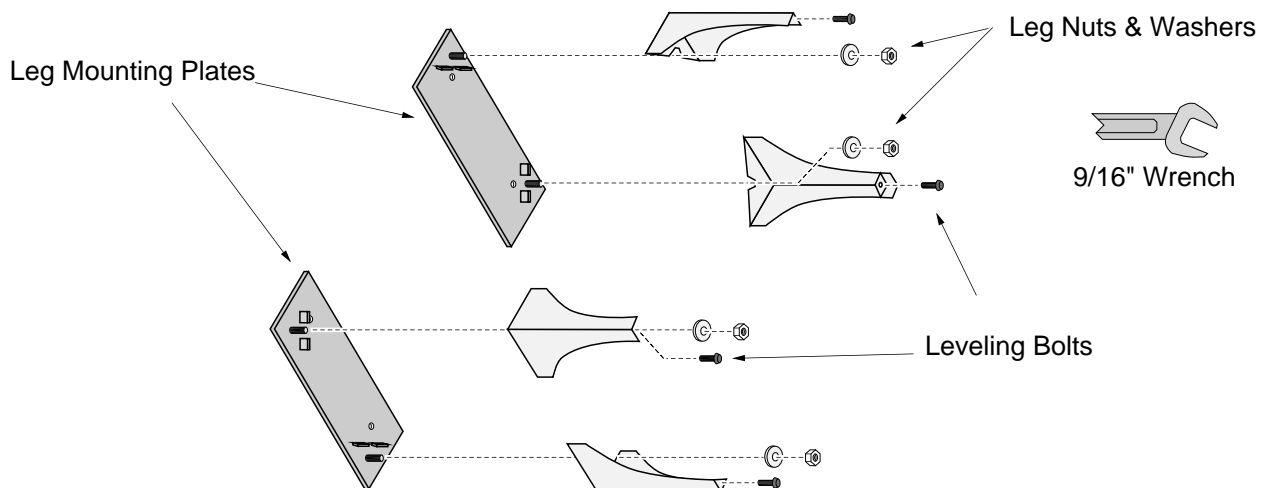
### **PACKING LIST**

- Two (2) Leg Mounting Plates
- Four (4) 3/8-16 Nuts with 3/8" Washers
- Four (4) 1/4-20 x 1/2" Bolts with 1/4" Washers
- Four (4) Rubber Tipped Leveling Bolts

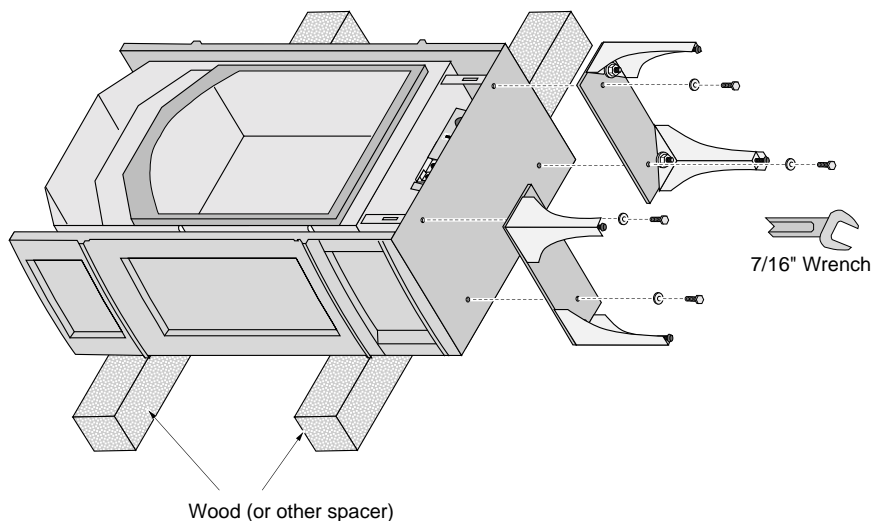
### **INSTALLATION INSTRUCTIONS**

**NOTE:** Install this kit prior to installing the Sweet Dreams stove.

- 1 Remove the stove top and face (see the owner's manual for details).
- 2 Attach the legs (and rubber-tipped leveling bolts) to the leg mounting plates following the directions below. The clips on the mounting plates insure proper leg alignment.



- 3 Place two pieces of wood (or other spacer, pallet, etc...) behind the stove. Tilt the stove back until it rests on the wood (see the illustration below). Attach the leg mounting plates (and legs) to the stove.



- 4 Restore the stove to an upright position, taking care to prevent undue weight on the legs. Once the stove is in position, unscrew the leveling bolts to level the stove (NOTE: do not slide the stove – this may damage the bolts or the mounting plates). The rubber tips also prevent noise from vibration.

|  |                    |   |                    |
|--|--------------------|---|--------------------|
| Approved Vent Configurations.....              | 13-16              | Installation Options .....                      | 6                  |
| Adjusting the Blower Speed.....                | 29                 | Items Required for Installation.....            | 7                  |
| Adjusting the Flame Height .....               | 28                 | Leaking Gas .....                               | See Inst. on Cover |
| Air Shutter Adjustment.....                    | 24                 | Listing Information .....                       | 34                 |
| Altitude Considerations.....                   | 11                 | Location of Controls.....                       | 26                 |
| Blower Control.....                            | 29                 | Log Set Installation and Removal .....          | 22                 |
| BTU Input.....                                 | 6                  | Maintenance .....                               | 30                 |
| BTU Output.....                                | 6                  | Noise (see Normal Operating Sounds) .....       | 29                 |
| Cap (see vent termination).....                | 18                 | Normal Operating Sounds.....                    | 29                 |
| Chimney Cap (see vent termination).....        | 18                 | Packing List.....                               | 7                  |
| Clearances.....                                | 8                  | Pilot Flame Inspection.....                     | 24                 |
| Condensation on Glass.....                     | 28                 | Piping Installation (see Gas Line Install)..... | 10                 |
| Corner Installation.....                       | 8                  | Restrictor Position .....                       | 13                 |
| Dimensions.....                                | 6                  | Safety Label.....                               | 34                 |
| Dura-Vent (part numbers).....                  | 12                 | Safety Precautions .....                        | 3                  |
| Elbows.....                                    | 12                 | Starting The Pilot.....                         | 27                 |
| Face Removal.....                              | 19                 | Starting the Stove for the First Time .....     | 28                 |
| Finalizing the Installation.....               | 19                 | Thermostat Operation.....                       | 28                 |
| Floor Protection .....                         | 9                  | Turning the Stove On and Off.....               | 28                 |
| Fuel.....                                      | 3                  | Vent Length (see "Vent Config.").....           | 13                 |
| Gas Control Valve (Location).....              | 26                 | Vent Part Numbers .....                         | 12                 |
| Gas Inlet Pressure.....                        | 10                 | Vent Requirements .....                         | 11                 |
| Gas Line Connection .....                      | 10                 | Vertical Vent Termination Requirements .....    | 18                 |
| Gas Line Install.....                          | 10                 | Warnings.....                                   | 3                  |
| Gas Smell.....                                 | See Inst. on Cover | Warranty.....                                   | 35                 |
| Glass Installation and Removal .....           | 19                 | Water on Glass (see Condensation) .....         | 28                 |
| Hearth Requirements.....                       | 9                  | Weight.....                                     | 6                  |
| Heating Specifications .....                   | 6                  | What Prevents Gas Buildup.....                  | 32                 |
| Horizontal Vent Termination Requirements ..... | 18                 | What Turns the Main Burners On and Off.....     | 32                 |
| How this Stove Works .....                     | 32                 | Wiring Diagram.....                             | 33                 |
|  |                    | Yearly Service Procedure.....                   | 30                 |