

# 1080 CF Gas Fireplace

Tested and Listed by



OMNI-Test Laboratories, Inc.  
Portland, Oregon  
Report # 028-F-81-5  
ANSI Z21.88a-2007

- **Built-In Direct Vent Fireplace**
- **Natural Gas or Propane**
- **Residential or Mobile Home**
- **Bedroom Approved**

**WARNING:** If the information in these instructions is not followed exactly, a fire or explosion may result causing property damage, personal injury or loss of life.

- Do not store or use gasoline or other flammable vapors and liquids in the vicinity of this or any other appliance.

#### **WHAT TO DO IF YOU SMELL GAS**

- Do not try to light any appliance.
- Do not touch any electrical switch; do not use any phone in your building.
- Immediately call gas supplier from a neighbor's phone. Follow the gas supplier's instructions.
- If you cannot reach your gas supplier, call the fire department.
- Installation and service must be performed by a qualified installer, service agency or the gas supplier.

This appliance may be installed in an aftermarket permanently located, manufactured home (USA only) or mobile home, where not prohibited by local codes.

This appliance is only for use with the type(s) of gas indicated on the rating plate. A conversion kit is supplied with the appliance.

## Installation Manual



**TRAVIS INDUSTRIES  
HOUSE OF FIRE**

4800 Harbour Pointe Blvd. SW  
Mukilteo, WA 98275

**Installer:** After installation give this manual to the homeowner and explain operation of this heater.

© Copyright 2008, T.I. \$10.00 100-01193\_003 4090807

**Overview**

This manual details the installation requirements for the 1080 CF fireplace. For operating and maintenance instructions, refer to the 1080 CF Owner's Manual (part # 100-01194).

**Listing Details**

This appliance was listed by OMNI Test Labs to ANSI Z21.88 - report # 028-F-81-5. The listing label is attached to the appliance near the gas control valve. A copy is shown to the right.

**ICBO Approval**

This appliance was listed by OMNI-Test Laboratories - ICBO # TL130.

**Massachusetts Approval**

This manual has been submitted to the Massachusetts Board of State Examiners of Plumbers and Gas Fitters

**National Fireplace Institute**



We suggest that our gas hearth products be installed and serviced by professionals who are certified in the U.S. by the National Fireplace Institute® (NFI) as NFI Gas Specialists.

[www.nficertified.org](http://www.nficertified.org)

<p><b>Minimum Clearances to Combustibles</b></p> <table style="width: 100%; border-collapse: collapse;"> <tr> <td style="width: 50%;">Fireplace to Adjacent Wall .....</td> <td style="width: 50%;">0" (0mm)</td> </tr> <tr> <td>Wood Floor Beneath Fireplace ....</td> <td>4.0" (102mm)</td> </tr> <tr> <td>Back to Enclosure .....</td> <td>0.0" (0mm)</td> </tr> <tr> <td>Top to Enclosure .....</td> <td>18.5" (470mm)</td> </tr> <tr> <td>Header (from stand-offs) .....</td> <td>0" (0mm)</td> </tr> <tr> <td>Sides to Enclosure .....</td> <td>4.0" (102mm)</td> </tr> <tr> <td>Base of Fireplace to a 12" Mantel (see manual for other details) .....</td> <td>50" (1270 mm)</td> </tr> </table>	Fireplace to Adjacent Wall .....	0" (0mm)	Wood Floor Beneath Fireplace ....	4.0" (102mm)	Back to Enclosure .....	0.0" (0mm)	Top to Enclosure .....	18.5" (470mm)	Header (from stand-offs) .....	0" (0mm)	Sides to Enclosure .....	4.0" (102mm)	Base of Fireplace to a 12" Mantel (see manual for other details) .....	50" (1270 mm)	<table style="width: 100%; border-collapse: collapse;"> <tr> <td style="width: 50%;"><b>L.P.</b></td> <td style="width: 50%;"><b>N.G.</b></td> </tr> <tr> <td>Input Rate on "HI" (BTU/Hr) .....</td> <td>36,000</td> </tr> <tr> <td>Input Rate on "LO" (BTU/Hr) .....</td> <td>23,500</td> </tr> <tr> <td>Minimum Inlet Pressure (inches W.C.) .....</td> <td>11"</td> </tr> <tr> <td>Maximum Inlet Pressure (inches W.C.) .....</td> <td>13"</td> </tr> <tr> <td>Manifold Pressure on "HI" (inches W.C.) .....</td> <td>10"</td> </tr> <tr> <td>Manifold Pressure on "LO" (inches W.C.) .....</td> <td>3.5"</td> </tr> </table> <p>For natural gas when equipped with the following drill size orifice: DMS #33          For propane when equipped with the following drill size orifice: DMS #50          This appliance is equipped for use only at altitudes 0-2,000 feet (0-610 m). In Canada 0-4500 feet (0-1370 m).          For altitudes above 2,000 feet, the vent configuration, orifice, or combination of both may need to be changed.          See the manual for information on making these changes.</p>	<b>L.P.</b>	<b>N.G.</b>	Input Rate on "HI" (BTU/Hr) .....	36,000	Input Rate on "LO" (BTU/Hr) .....	23,500	Minimum Inlet Pressure (inches W.C.) .....	11"	Maximum Inlet Pressure (inches W.C.) .....	13"	Manifold Pressure on "HI" (inches W.C.) .....	10"	Manifold Pressure on "LO" (inches W.C.) .....	3.5"
Fireplace to Adjacent Wall .....	0" (0mm)																												
Wood Floor Beneath Fireplace ....	4.0" (102mm)																												
Back to Enclosure .....	0.0" (0mm)																												
Top to Enclosure .....	18.5" (470mm)																												
Header (from stand-offs) .....	0" (0mm)																												
Sides to Enclosure .....	4.0" (102mm)																												
Base of Fireplace to a 12" Mantel (see manual for other details) .....	50" (1270 mm)																												
<b>L.P.</b>	<b>N.G.</b>																												
Input Rate on "HI" (BTU/Hr) .....	36,000																												
Input Rate on "LO" (BTU/Hr) .....	23,500																												
Minimum Inlet Pressure (inches W.C.) .....	11"																												
Maximum Inlet Pressure (inches W.C.) .....	13"																												
Manifold Pressure on "HI" (inches W.C.) .....	10"																												
Manifold Pressure on "LO" (inches W.C.) .....	3.5"																												

**1080 CF**  
Vented Gas Fireplace Heater

Tested & Listed by **OMNI** US  
Beaverton, Oregon, USA  
owned by **Travis Industries, Inc.**  
Report No. 028-F-81-5

Certified for USA and Canada  
Tested to: ANSI Z21.88-2007/CSA 2.33-2007 "Vented Gas Fireplace Heater", CGA 2.17-M91, UL 307B-1995 "Gas Burning Heating Appliances for Manufactured Homes", and CSA P4.1-02.  
This appliance must be installed in accordance with local codes, if any; if none, follow the National Fuel Gas Code, ANSI Z223.1/NFPA 54, or Natural Gas and Propane Installation Codes, CSA B149.1.  
This appliance must be installed in accordance with the current Standard CAN/CSA Z240 MH, Mobile Housing, in Canada or with the Manufactured Home Construction and Safety Standard, Title 24CFR, Part 3280, in the United States, or when such a standard is not applicable, ANSINCSCBS A225.1/NFPA 501A, Manufactured Home Installation Standard.  
This vented gas fireplace heater is equipped at the factory for use with natural gas. If conversion to propane (LP) is desired, the optional factory conversion kit must be used.  
This appliance is only for use with the type of gas indicated on the rating plate and may be installed in an aftermarket, permanently located, manufactured (mobile) home (USA only) where not prohibited by local codes. See manual for details. This appliance is not convertible for use with other gases, unless a certified kit is used.  
This vented gas fireplace heater is not for use with air filters.  
Keep burner and control compartment clean. See installation and operating instructions accompanying appliance.  
This appliance must be properly connected to a venting system in accordance with the manufacturer's installation instructions. Use only approved coaxial direct vent system to vent this appliance to the exterior. See manual for approved brands of venting.  
WARNING: Improper installation, adjustment, alteration, service or maintenance can cause injury or property damage. Refer to the manual provided with this appliance. For assistance or additional information consult a qualified installer, service agency or the gas supplier.

**VENTED GAS FIREPLACE HEATER – NOT FOR USE WITH SOLID FUEL**

**CAUTION:** Hot while in operation. Do not touch. Severe burns may result. Keep children, clothing, furniture, gasoline and other liquids having flammable vapors away. Do not operate this appliance with glass removed, cracked or broken. Replacement of the panel(s) should be done by a licensed or qualified service person.

IGN 827

Figure 1

## **Introduction**

Overview.....	2
Listing Details.....	2

## **Safety Precautions**

Safety Precautions.....	4
-------------------------	---

## **Features and Specifications**

Installation Options.....	6
Specifications.....	6
Dimensions.....	6

## **Installation**

Packing List.....	7
Additional Items Required.....	7
Installation Overview.....	7
Recommended Installation Procedure.....	8
Massachusetts Requirements.....	9
Preparing the Fireplace Stand-offs.....	10
Fireplace Placement Requirements.....	12
Clearances.....	12
Raised Fireplaces.....	12
Minimum Framing Dimensions.....	13
Framing Dimensions - Corner Installations.....	14
Nailing Brackets.....	15
Gas Line Requirements.....	16
Gas Line Connection.....	16
Gas Inlet Pressure.....	16
Battery Pack – Wireless Wall Switch Installation.....	19
Battery Installation.....	22
Remote Synchronization.....	23
Synchronizing the Remote and Wireless Wall Switch.....	24
Using the Reset Rod to Activate the Receiver Module.....	25

## **Installation (continued)**

Vent Requirements.....	26
Approved Vent.....	26
Altitude Considerations.....	26
Vent Clearances.....	27
Vent Installation.....	27
Approved Vent Configurations:	
Horizontal Termination (1 90° Elbow).....	29
Horizontal Termination (3 90° Elbows).....	30
Vertical Termination (0, 2, or 4 45° Elbows).....	31
Vertical Termination (2 90° Elbows).....	32
Termination Requirements.....	33
Hearth Requirements.....	34
Hearth Requirements – Recessed Hearth.....	35
Facing Requirements.....	36
Non-Combustible Facing.....	37
Mantel Requirements.....	39

## **Finalizing the Installation**

Air Shutter Adjustment.....	41
Glass Frame Removal and Installation.....	42
Log Set Installation.....	43
LP Conversion Instructions.....	51
Fireback Installation.....	56
Andiron Installation.....	58
Power Heat Duct Installation.....	59

## **Index**

Index.....	60
------------	----

## ***Safety Warnings:***

---

- Failure to follow all of the requirements may result in property damage, bodily injury, or even death.
- This unit must be installed by a qualified installer to prevent the possibility of an explosion.
- This appliance must be installed in accordance with all local codes, if any; if not, in U.S.A. follow ANSI Z223.1 and NFPA 54(88).
- A manufactured home (USA only) or mobile home OEM installation must conform with the Manufactured Home Construction and Safety Standard, Title 24 CFR, Part 3280, or, when such a standard is not applicable, the Standard for Manufactured Home Installations, ANSI/NCSCS A225.1, or Standard for Gas Equipped Recreational Vehicles and Mobile Housing, CSA Z240.4. This appliance may be installed in Manufactured Housing only after the home is site located.
- All exhaust gases must be vented outside the structure of the living-area. Combustion air is drawn from outside the living-area structure. The venting must not be connected to a chimney flue serving a separate solid-fuel burning appliance.
- Notify your insurance company before hooking up this fireplace.
- The room heater should be inspected before use and at least annually by a qualified service person. More frequent cleaning may be required due to excessive lint from carpeting, bedding material, etc.
- The instructions in this manual must be strictly adhered to. Do not use makeshift methods or compromise in the installation. Improper installation will void the warranty and safety listing.
- This heater is approved for use with natural gas (NG) or propane (LP). Burning the incorrect fuel will void the warranty and safety listing and may cause an extreme safety hazard. Direct questions about the type of fuel used to your dealer. Check the label and flame adjust knob on the gas control valve.
- Contact your local building officials to obtain a permit and information on any installation restrictions or inspection requirements in your area.
- If the flame becomes sooty, dark orange in color, or extremely tall, do not operate the heater. Call your dealer and arrange for proper servicing.
- It is imperative that control compartments, screens, or circulating air passageways of the heater be kept clean and free of obstructions. These areas provide the air necessary for safe operation.
- Do not operate the heater if it is not operating properly in any fashion or if you are uncertain. Call your dealer for a full explanation of your heater and what to expect.
- Do not store or use gasoline or other flammable liquids in the vicinity of this heater.
- Do not operate if any portion of the heater was submerged in water or if any corrosion occurs.
- Do not place clothing or other flammable items on or near the heater. Because this heater can be controlled by a thermostat there is a possibility of the heater turning on and igniting any items placed on or near it.
- Light the heater using the built-in piezo igniter. Do not use matches or any other external device to light your heater.
- Never remove, replace, modify or substitute any part of the heater unless instructions are given in this manual. All other work must be done by a trained technician. Don't modify or replace orifices.
- The viewing glass should be opened only for lighting the pilot or conducting service.
- Any safety screen or guard removed for servicing must be replaced prior to operating the heater.

## ***Safety Warnings (continued):***

---

- Allow the heater to cool before carrying out any maintenance or cleaning.
- Operate the heater according to the instructions included in this manual.
- If the main burners do not start correctly turn the gas off at the gas control valve and call your dealer for service.
- The pilot flame must contact the thermopile and thermocouple. If it does not, turn the gas control valve to "OFF" and call your dealer.
- This unit is not for use with solid fuel.
- Do not place anything inside the firebox (except the included fiber logs).
- If the fiber logs become damaged, replace with Travis Industries log set.
- Do not throw this manual away. This manual has important operating and maintenance instructions that you will need at a later time. Always follow the instructions in this manual.
- Do not touch the hot surfaces of the heater. Educate all children of the danger of a high-temperature heater. Young children should be supervised when they are in the same room as the heater.
- Due to the high temperature, the heater should be located out of traffic and away from furniture and draperies.
- Instruct everyone in the house how to shut gas off to the appliance and at the gas main shutoff valve. The gas main shutoff valve is usually next to the gas meter or propane tank and requires a wrench to shut off.
- **Travis Industries, Inc. grants no warranty, implied or stated, for the installation or maintenance of your heater, and assumes no responsibility of any consequential damage(s).**

# 6

# Features and Specifications

## Installation Options

- Residential or Mobile Home
- Straight or Corner Placement
- Flush or Recessed Face
- Raised or Floor Placement
- Internal or External Chase
- Horizontal or Vertical Vent
- Bedroom Approved

## Specifications

	<b>Natural Gas</b>	<b>Propane</b>
Maximum BTU Input Per Hour	36,000	36,000
Minimum BTU Input on Low	20,800	23,500

## Dimensions

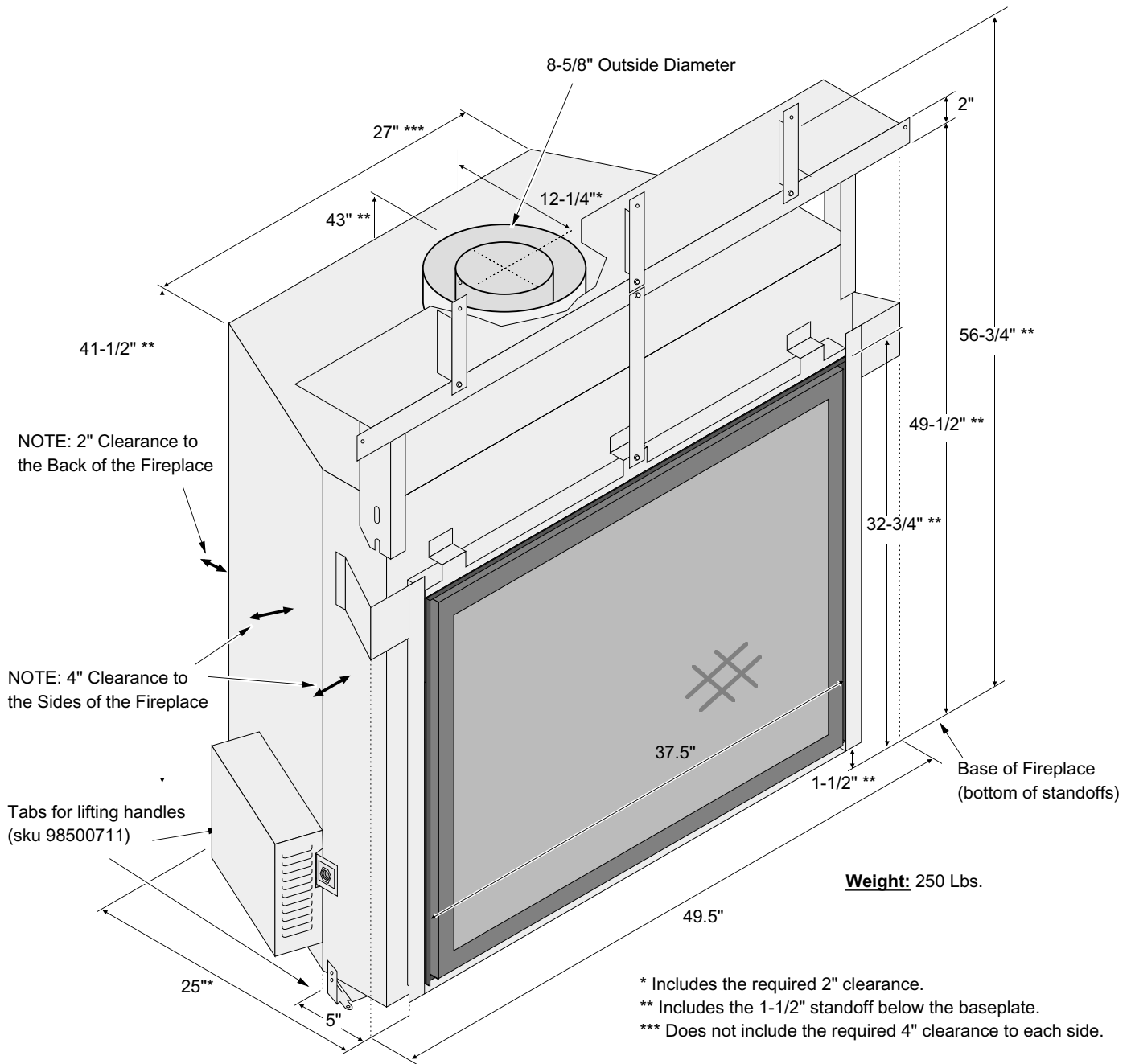


Figure 2

## Packing List

- Propane Conversion Kit (orifice, rate screw)
- Log Set
- Remote Control and Wireless Wall Switch
- Reset Rod
- Battery Box with 12' Wire Lead
- Door Latch Tool
- Andiron Brackets

## Additional Items Required

- 1080/36 CF Direct Vent (available only from Travis Industries – see page 26 for part numbers)
- Gas Line Equipment (shutoff valve, pipe, etc.)

## Installation Overview

- All requirements below must be met.

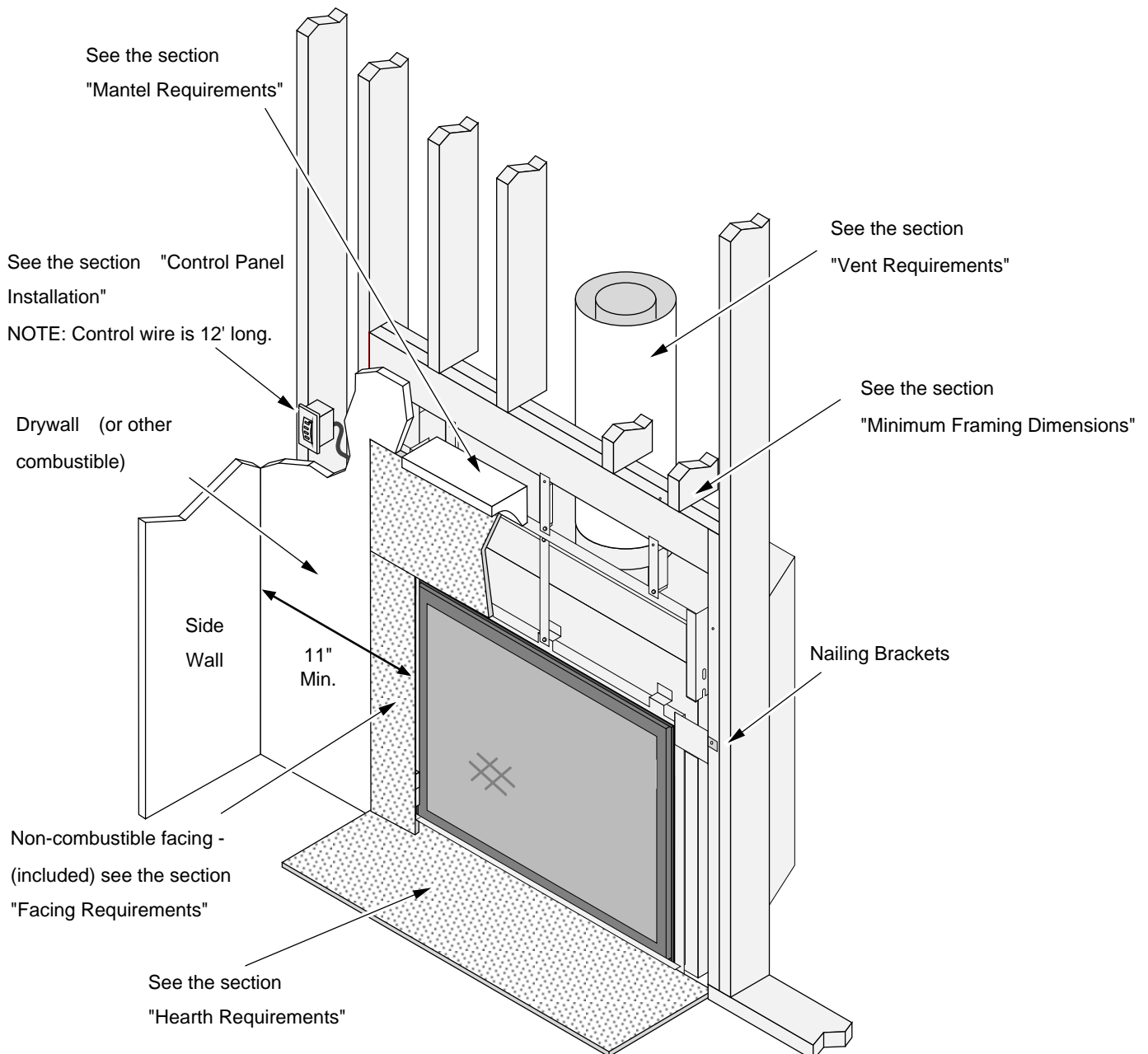


Figure 3

***Recommended Installation Procedure***

---

1. Frame the opening for the fireplace. We suggest omitting the framing above the header to allow for easier vent installation.
2. Place the fireplace in place, making sure it is level and plumb. Attach using the nailing brackets.
3. Install the vent, gas line, electrical connection, and battery box.
4. Install the framing above the header.
5. Install the hearth (if applicable).
6. Install the included non-combustible facing.
7. Install the facing.
8. Install the mantel (if applicable).
9. Finalize the installation (see page 40).



## Massachusetts Requirements

NOTE: The following requirements reference various Massachusetts and national codes not contained in this document.

### Requirements for the Commonwealth of Massachusetts

For all side wall horizontally vented gas fueled equipment installed in every dwelling, building or structure used in whole or in part for residential purposes, including those owned or operated by the Commonwealth and where the side wall exhaust vent termination is less than seven (7) feet above finished grade in the area of the venting, including but not limited to decks and porches, the following requirements shall be satisfied:

#### Installation of Carbon Monoxide Detectors

At the time of installation of the side wall horizontal vented gas fueled equipment, the installing plumber or gasfitter shall observe that a hard wired carbon monoxide detector with an alarm and battery back-up is installed on the floor level where the gas equipment is to be installed. In addition, the installing plumber or gasfitter shall observe that a battery operated or hard wired carbon monoxide detector with an alarm is installed on each additional level of the dwelling, building or structure served by the side wall horizontal vented gas fueled equipment. It shall be the responsibility of the property owner to secure the services of qualified licensed professionals for the installation of hard wired carbon monoxide detectors.

In the event that the side wall horizontally vented gas fueled equipment is installed in a crawl space or an attic, the hard wired carbon monoxide detector with alarm and battery back-up may be installed on the next adjacent floor level.

In the event that the requirements of this subdivision can not be met at the time of completion of installation, the owner shall have a period of thirty (30) days to comply with the above requirements; provided, however, that during said thirty (30) day period, a battery operated carbon monoxide detector with an alarm shall be installed.

#### Approved Carbon Monoxide Detectors

Each carbon monoxide detector as required in accordance with the above provisions shall comply with NFPA 720 and be ANSI/UL 2034 listed and IAS certified.

#### Signage

A metal or plastic identification plate shall be permanently mounted to the exterior of the building at a minimum height of eight (8) feet above grade directly in line with the exhaust vent terminal for the horizontally vented gas fueled heating appliance or equipment. The sign shall read, in print size no less than one-half (1/2) inch in size, "GAS VENT DIRECTLY BELOW. KEEP CLEAR OF ALL OBSTRUCTIONS".

#### Inspection

The state or local gas inspector of the side wall horizontally vented gas fueled equipment shall not approve the installation unless, upon inspection, the inspector observes carbon monoxide detectors and signage installed in accordance with the provisions of 248 CMR 5.08(2)(a)1 through 4.

#### Exemptions

The following equipment is exempt from 248 CMR 5.08(2)(a)1 through 4:

- The equipment listed in Chapter 10 entitled "Equipment Not Required To Be Vented" in the most current edition of NFPA 54 as adopted by the Board; and
- Product Approved side wall horizontally vented gas fueled equipment installed in a room or structure separate from the dwelling, building or structure used in whole or in part for residential purposes.

## MANUFACTURER REQUIREMENTS

#### Gas Equipment Venting System Provided

When the manufacturer of Product Approved side wall horizontally vented gas equipment provides a venting system design or venting system components with the equipment, the instructions provided by the manufacturer for installation of the equipment and the venting system shall include:

- Detailed instructions for the installation of the venting system design or the venting system components; and
- A complete parts list for the venting system design or venting system.

#### Gas Equipment Venting System NOT Provided

When the manufacturer of a Product Approved side wall horizontally vented gas fueled equipment does not provide the parts for venting the flue gases, but identifies "special venting systems", the following requirements shall be satisfied by the manufacturer:

- The referenced "special venting system" instructions shall be included with the appliance or equipment installation instructions; and
- The "special venting systems" shall be Product Approved by the Board, and the instructions for that system shall include a parts list and detailed installation instructions.

A copy of all installation instructions for all Product Approved side wall horizontally vented gas fueled equipment, all venting instructions, all parts lists for venting instructions, and/or all venting design instructions shall remain with the appliance or equipment at the completion of the installation.

See Gas Connection section for additional Commonwealth of Massachusetts requirements.

### Preparing the Fireplace Stand-offs

This appliance is shipped with the header and side stand-offs in the retracted position. These stand-offs must be placed in their upright position prior to installing the fireplace.

**WARNING:** Failure to correctly erect the stand-offs may lead to a serious fire-hazard and will void the listing and warranty of this fireplace.

#### Side Stand-Offs

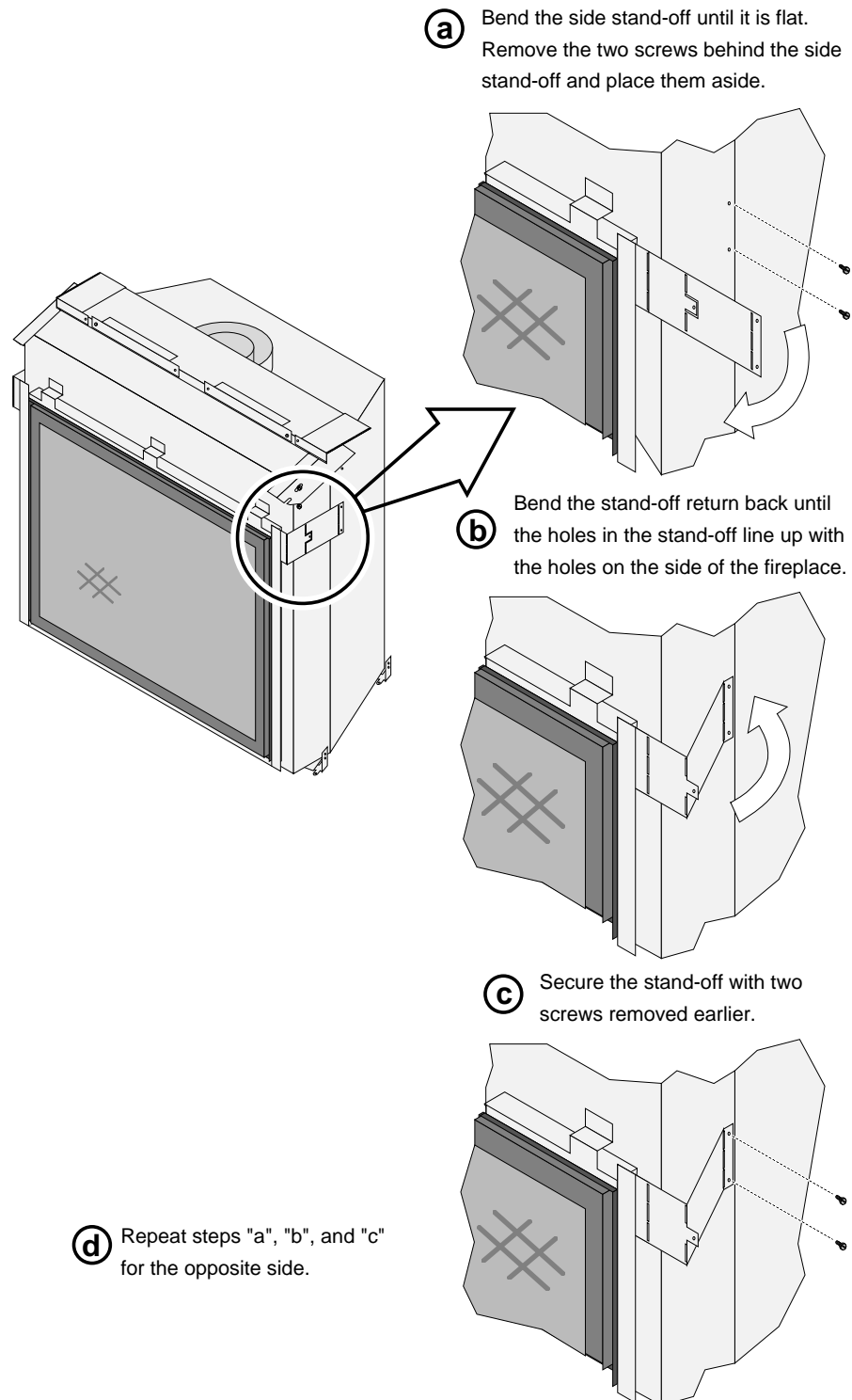


Figure 4

## Header Stand-Off

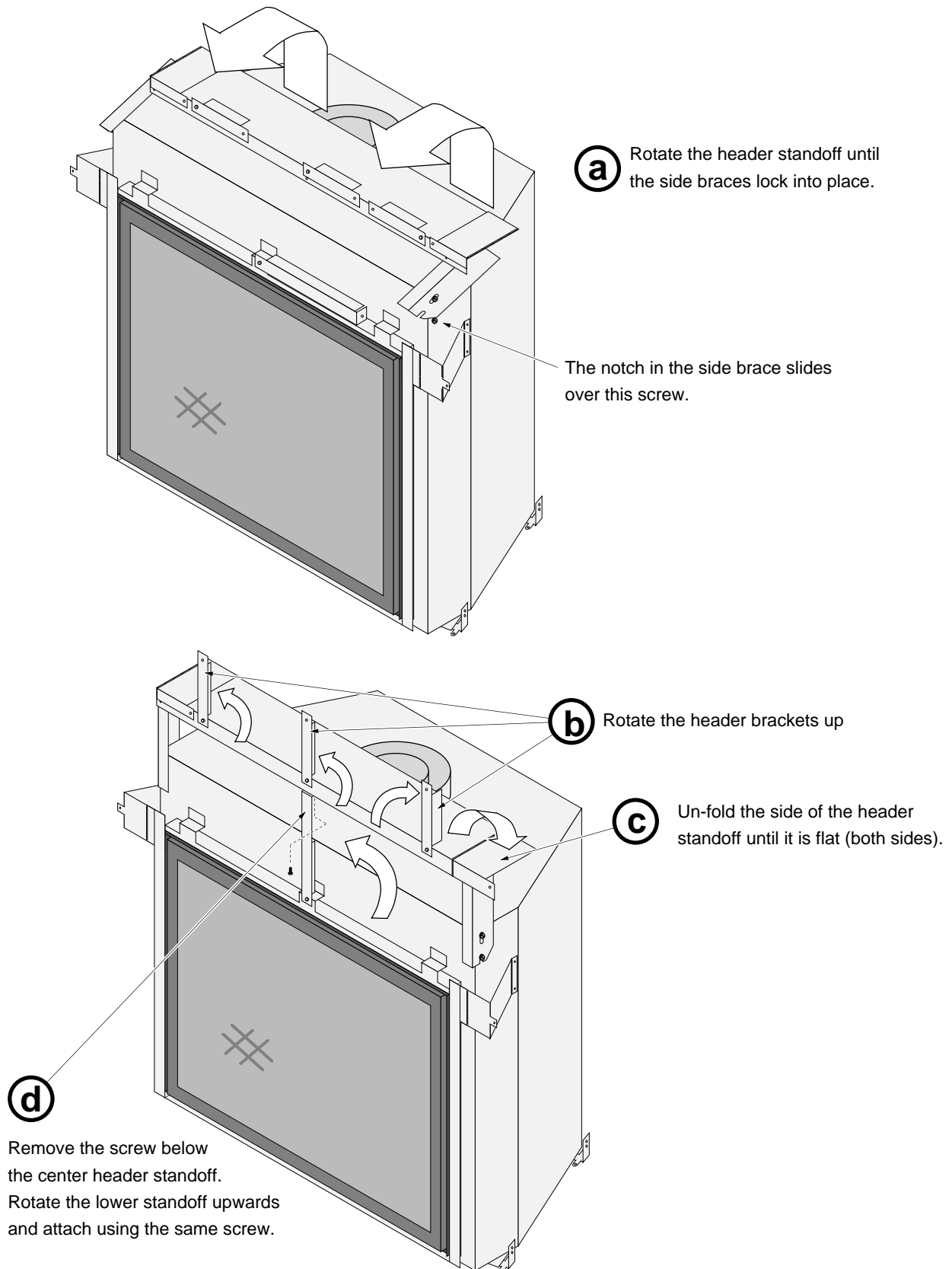


Figure 5

### Fireplace Placement Requirements

- The fireplace requires a 4" clearance from the sides and 2" from the back of the fireplace to the framing members. No material (insulation, framing, etc.) may be placed into this area.
- Fireplace must be placed in a room with a minimum 96" ceiling.
- Fireplace must be placed directly on the sub-floor or wood platform (not on linoleum or carpet).
- Fireplace must be installed on a level surface capable of supporting the fireplace and vent.
- This heater may be placed in a bedroom. Please be aware of the large amount of heat this appliance produces when determining a location.

### Clearances

- When installed, walls in front of the fireplace must be a minimum 11" from the glass (5" from the side stand-offs - see Figure 3).
- Due to the high temperature, the heater should be located out of traffic and away from furniture and draperies.
- Fireplace must be placed so the vents below and above the glass do not become blocked.

### Raised Fireplaces

- The fireplace (and hearth, if desired) may be placed on a platform designed to support the fireplace (250 Lbs.) and vent.

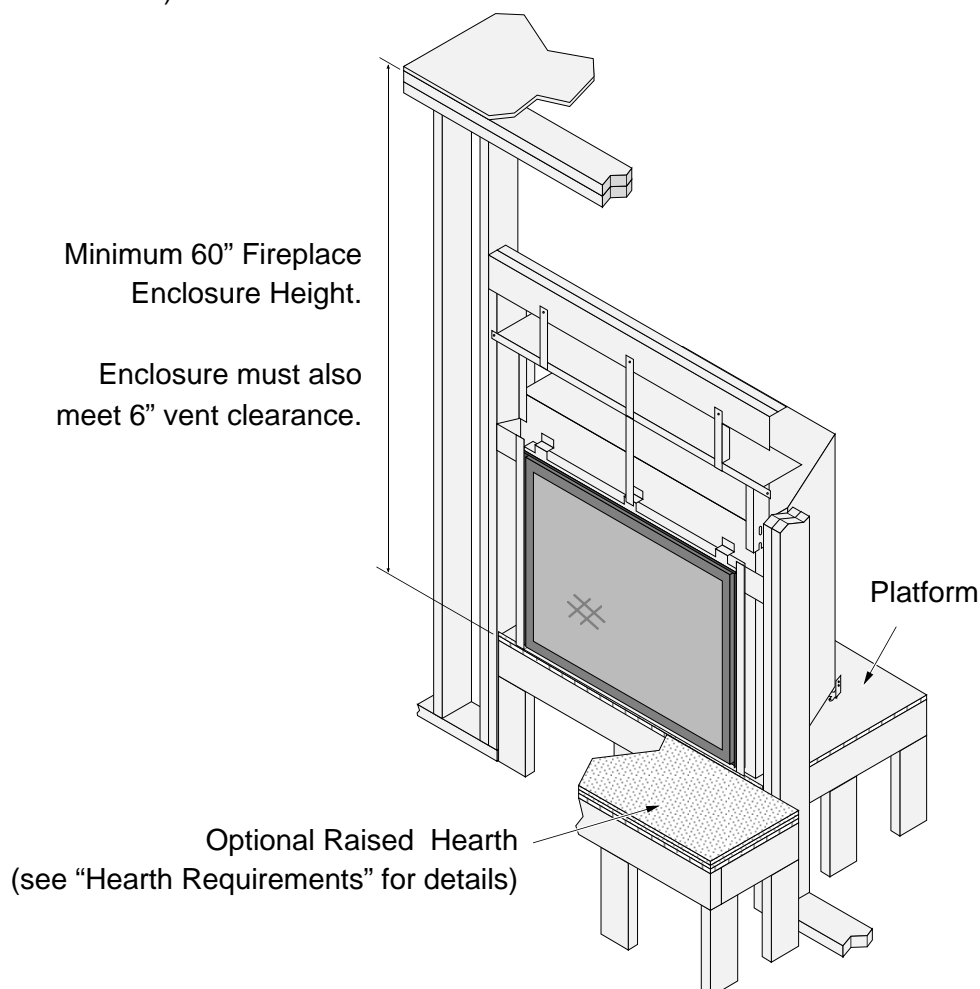


Figure 6

## Minimum Framing Dimensions

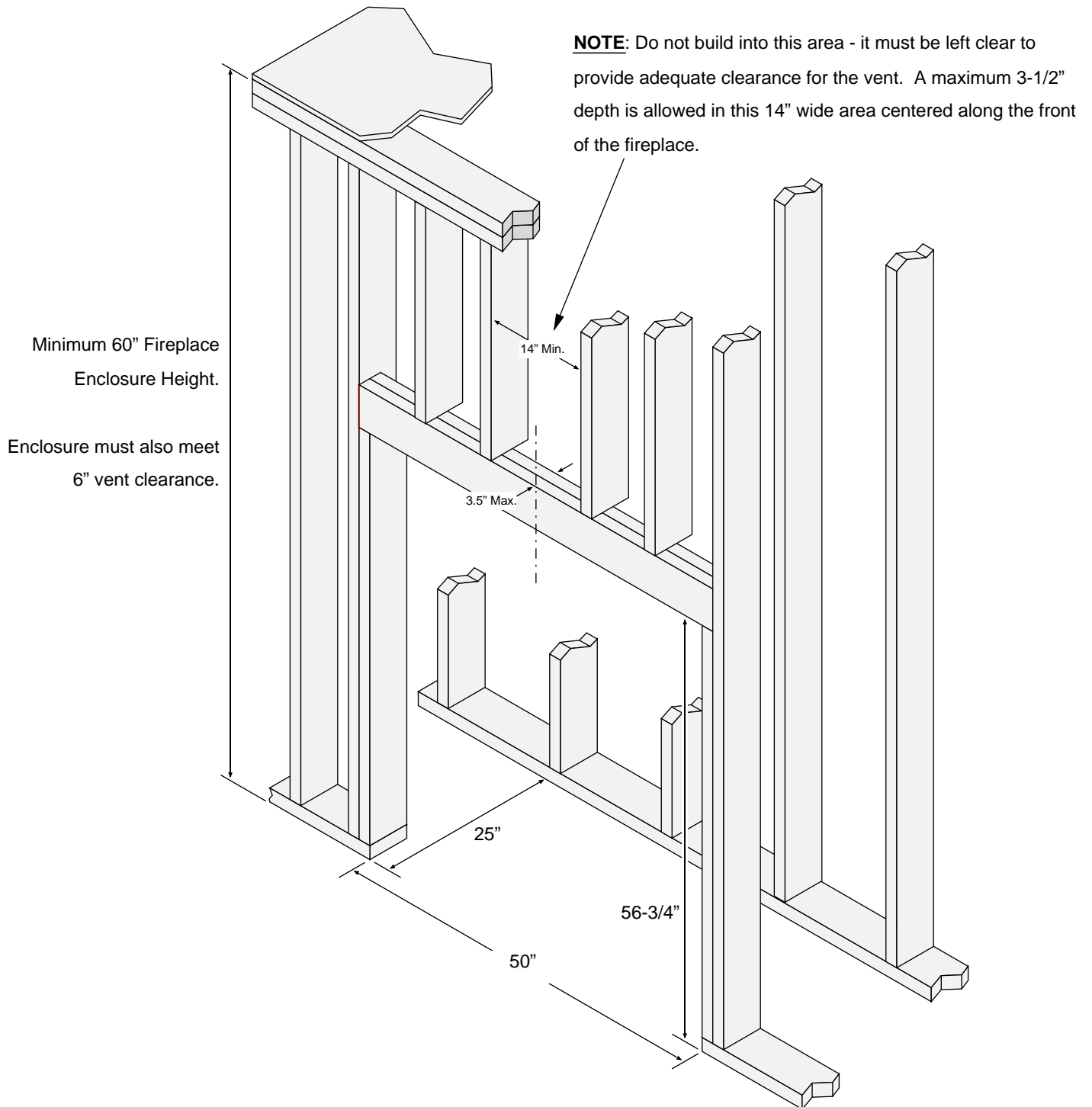


Figure 7

**Framing Dimensions - Corner Installations**

A typical 45° installation uses the framing dimensions shown in the illustration below (NOTE: all clearances still apply).

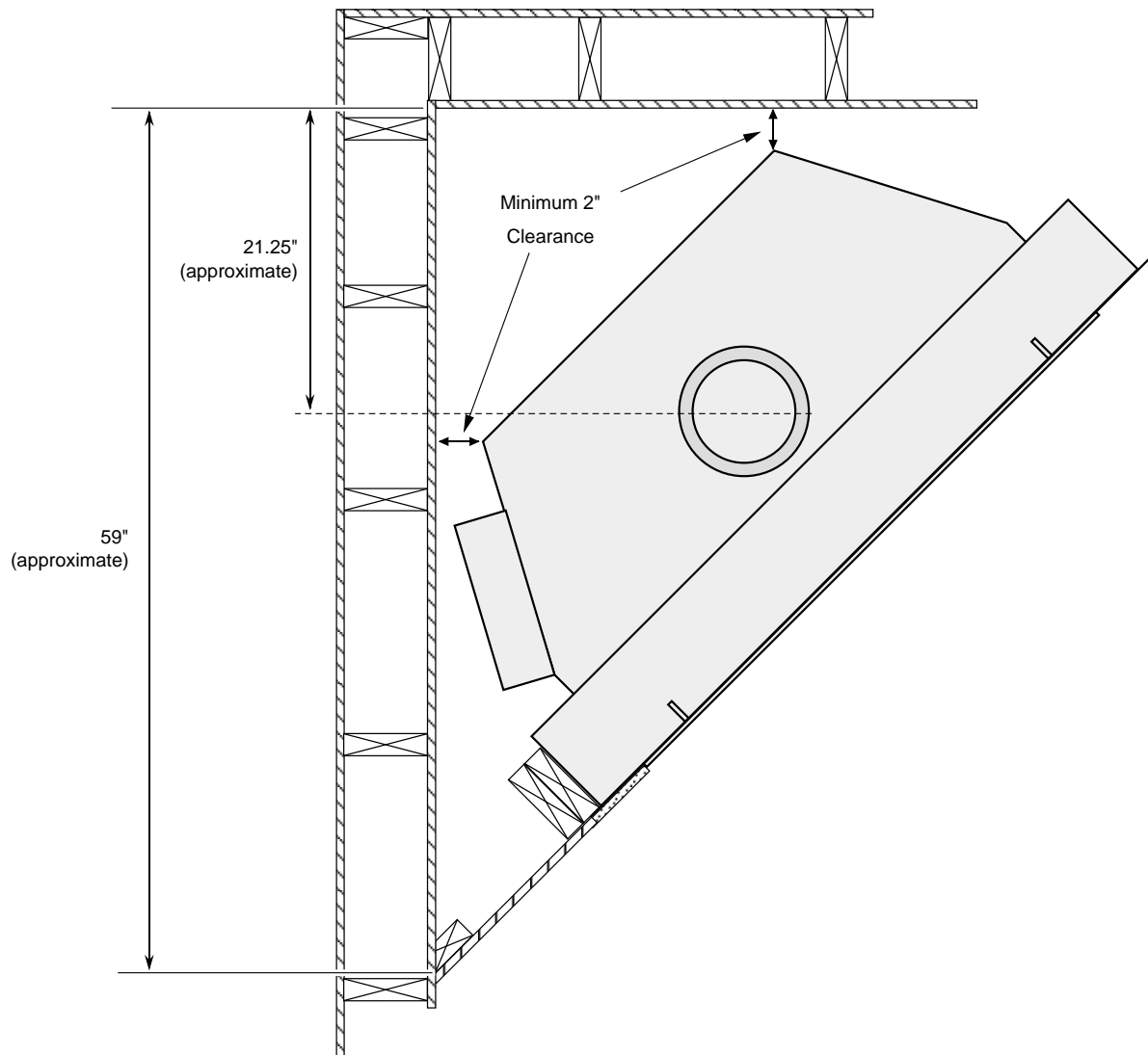


Figure 8

## Nailing Brackets

Use screws or nails to secure the fireplace to the framing with the six nailing brackets.

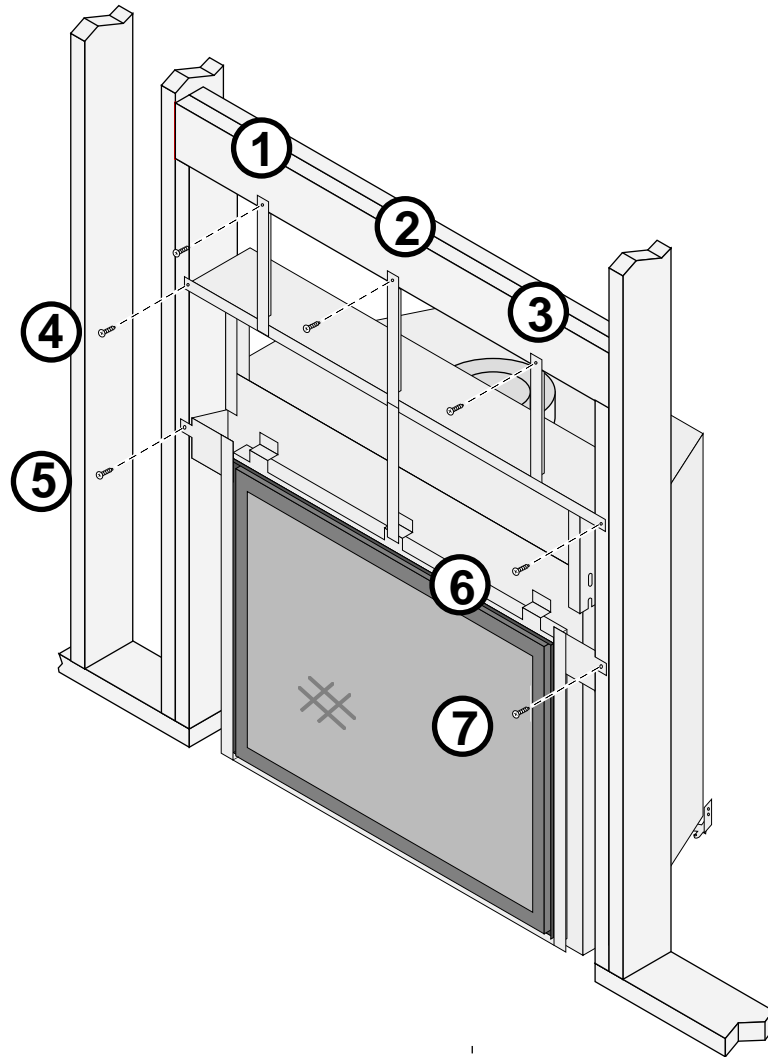


Figure 9

## Gas Line Requirements

### MASSACHUSETTS INSTALLATIONS - WARNING:

THIS PRODUCT MUST BE INSTALLED BY A LICENSED PLUMBER OR GAS FITTER WHEN INSTALLED WITHIN THE COMMONWEALTH OF MASSACHUSETTS.

### OTHER MASSACHUSETTS CODE REQUIREMENTS:

- Flexible connector must not be longer than 36 inches.
- Shutoff valve must be a "T" handle gas cock.
- Only direct vent sealed combustion products are approved for bedrooms or bathrooms.
- Fireplace dampers must be removed or welded in the open position prior to the installation of a fireplace insert or gas log.
- A carbon monoxide (CO) detector is required in the same room as the appliance.
- The gas line must be installed in accordance with all local codes, if any; if not, follow ANSI 223.1 and the requirements listed below.
- The fireplace and gas control valve must be disconnected from the gas supply piping during any pressure testing of that system at test pressures in excess of 1/2 psig. For pressures under 1/2 psig, isolate the gas supply piping by closing the manual shutoff valve.
- Leak test all gas line joints and the gas control valve prior to and after starting the fireplace.
- This fireplace is designed either for natural gas or for propane (but not for both). Check the sticker on the top of the gas control valve to make sure the correct fuel is used (see illustration on page 4).
- An additional shut-off valve is required. It must be accessible and within 6' of the fireplace.

## Gas Line Connection

- Installation must be performed by a qualified installer, service agency or the gas supplier (In Massachusetts a licensed plumber/gasfitter).
- A shutoff valve is built into the fireplace. It is located on the left side of the fireplace and acts as the gas inlet connection. After installing the gas line (and testing), remove the cover plate shown below and turn the gas shutoff valve to "ON".

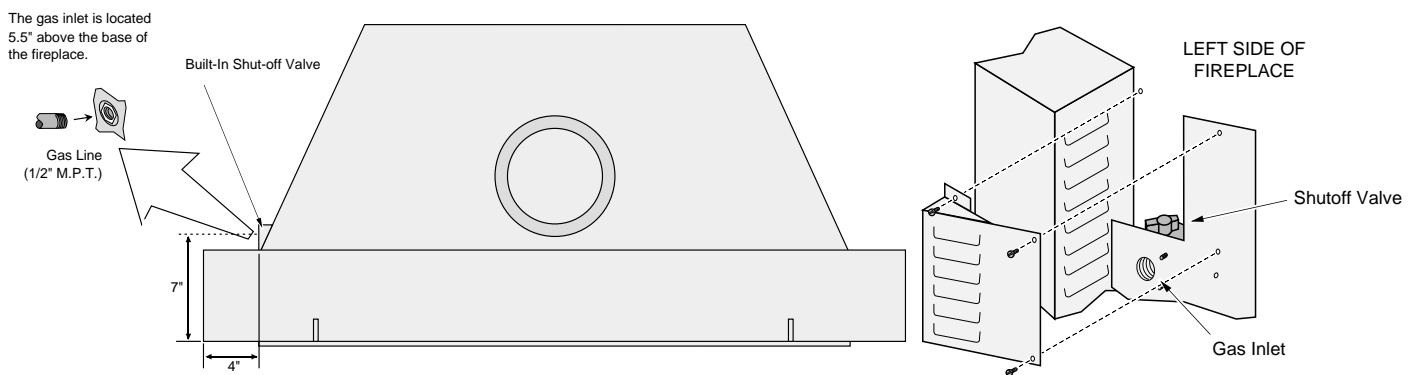


Figure 10

## Gas Inlet Pressure

	Standard Input Pressure
Natural Gas	7" W.C. (1.74 kPA)
Propane	13" W.C. (2.73 kPA)

- If the pressure is not sufficient, make sure the piping used is large enough, the supply regulator is adequately adjusted, and the total gas load for the residence does not exceed the amount supplied.
- The supply regulator (the regulator that attaches directly to the residence inlet or to the propane tank) should supply gas at the suggested input pressure listed above. Contact the local gas supplier if the regulator is at an improper pressure.



## Required Electrical Connection



Make sure power to the heater has been turned off prior to installation (disable the breaker).



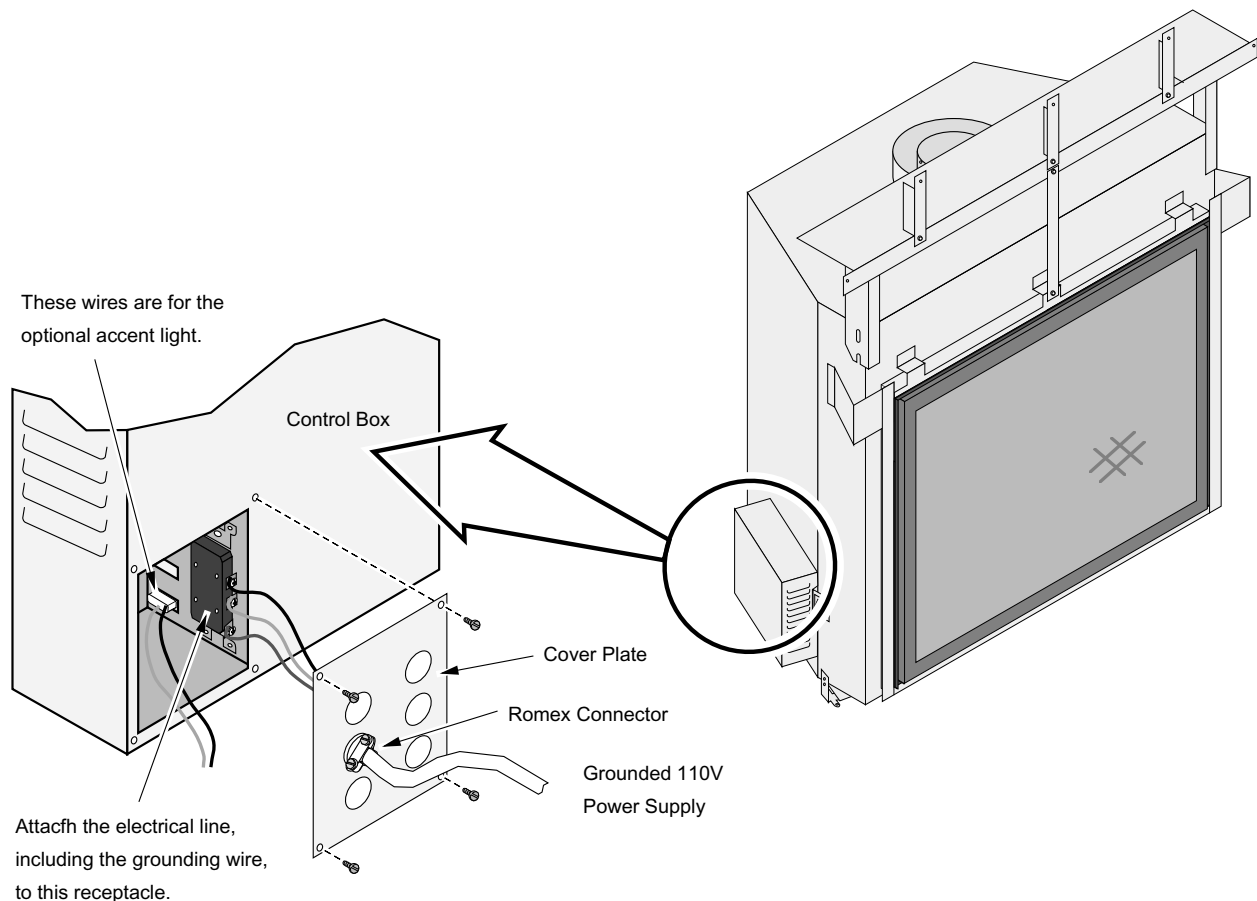
Do not connect 110-120 VAC to the gas control valve or the on/off circuit on this fireplace.

This fireplace utilizes 110 VAC to power the receiver module and intermittent pilot system. A separate battery box is included to provide power for the adjustable flame height and in case of power outages (see "Battery Pack – Wireless Wall Switch Installation" on page 19 for details).

- The electrical line to the grounded receptacle inside the fireplace must be installed by a qualified installer and must meet all local codes. The fireplace must be properly grounded in accordance with local codes (or ANSI/NFPA 70-1987).
- Make sure the household breaker is shut off prior to working on any electrical lines.
- The fireplace must be properly grounded in accordance with local codes (or ANSI/NFPA 70-1987)
- The electrical line must be a min. 14 gauge, and supply 120 Volts at 60 Hz (2 Amps)

**Caution:** Label all wires prior to disconnection when servicing controls. Wiring errors can cause improper and dangerous operation.

- Attach an electrical line to the receptacle inside the control box (see the illustration below). Make sure to connect the ground wire to the grounding tab on the receptacle (this grounds the fireplace).



**Accent Light Electrical Connection**



Make sure power to the heater has been turned off prior to installation (disable the breaker).

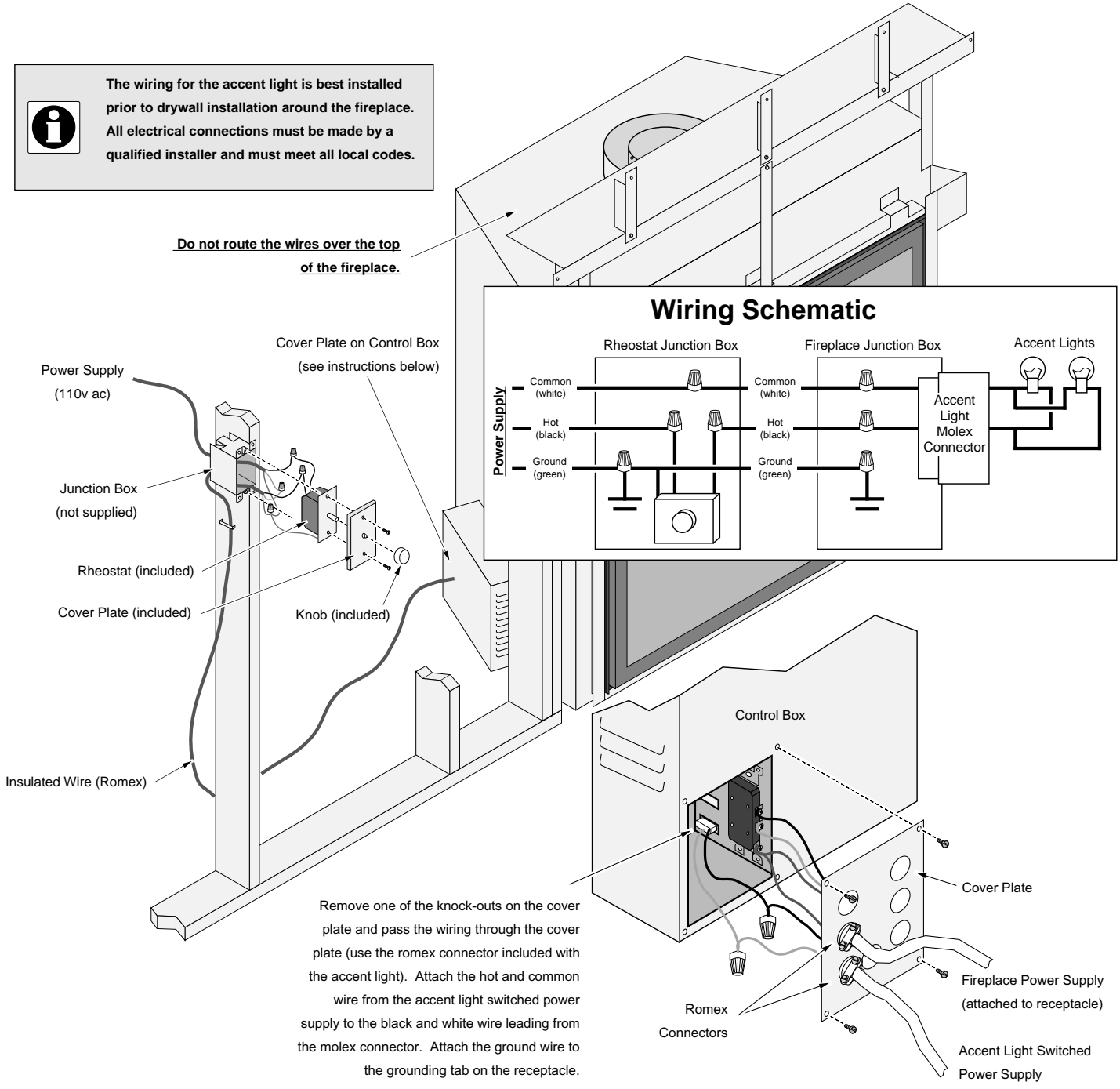


Do not connect 110-120 VAC to the gas control valve or the on/off circuit on this fireplace.

- The electrical line must be installed by a qualified installer and must meet all local codes.
- The optional accent light requires a 110v circuit wired through a junction box to the fireplace. See the illustration below for details.

**i** The wiring for the accent light is best installed prior to drywall installation around the fireplace. All electrical connections must be made by a qualified installer and must meet all local codes.

**Do not route the wires over the top of the fireplace.**



Remove one of the knock-outs on the cover plate and pass the wiring through the cover plate (use the romex connector included with the accent light). Attach the hot and common wire from the accent light switched power supply to the black and white wire leading from the molex connector. Attach the ground wire to the grounding tab on the receptacle.

## Battery Pack – Wireless Wall Switch Installation

- The control panel must be mounted inside a junction box in a location that may be reached by the 12' long battery pack and DCMD wires (see Figure 11).

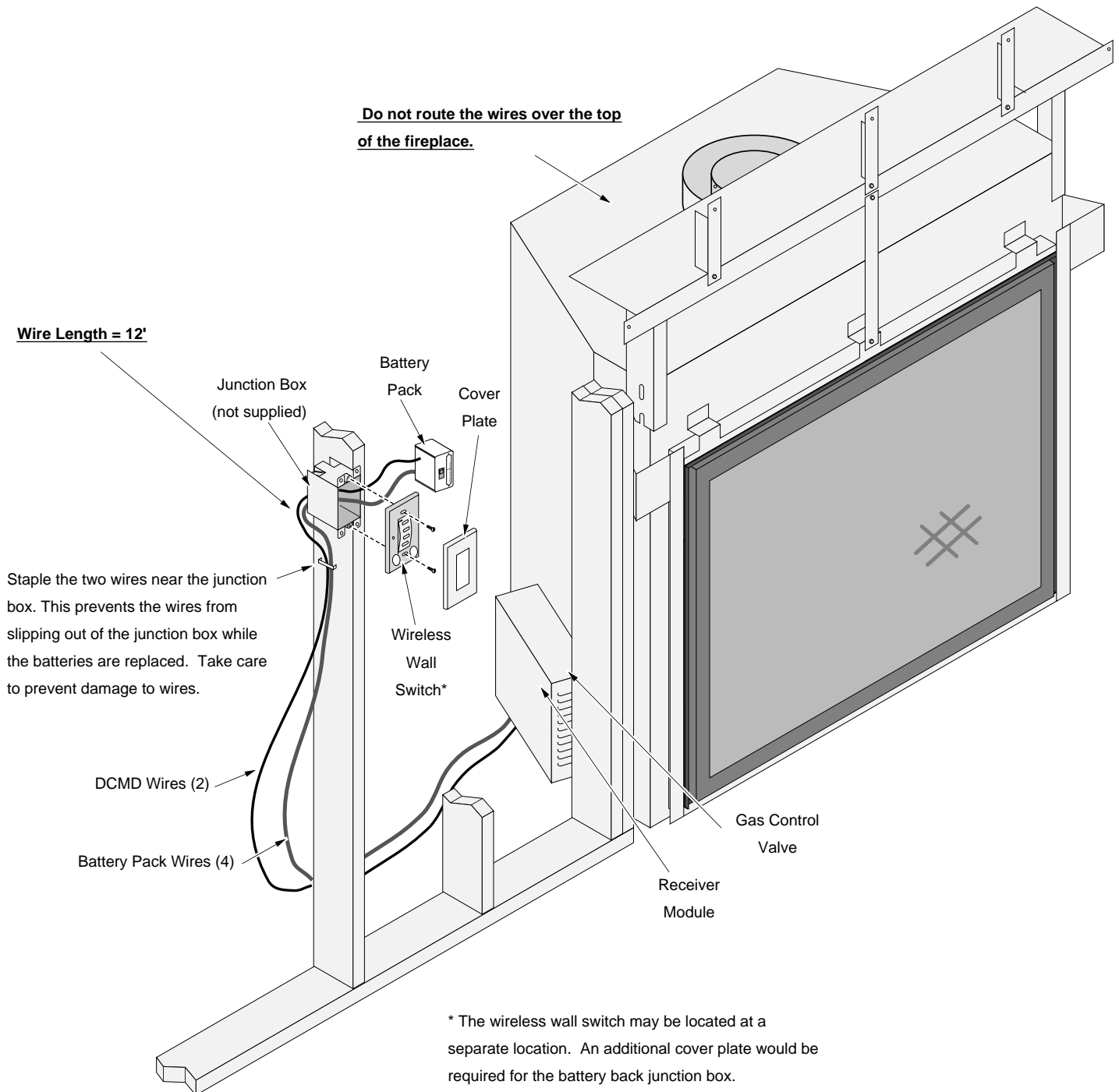


Figure 11

Steps for Installing the Battery Pack and Wall Switch

1. Connect the battery pack wire harness to the receiver module where it is marked "AUX" (see Figure 12 – item "a"). At this time make sure the continuous pilot switch is set to "OFF" and the remote switch is set to "REMOTE" on the receiver module (see Figure 12 – item "b"). You may also wish to verify the wires leading from the receiver are fully attached.
2. Connect the DCMD wires (red and red/black) to the two wires (red and black) exiting the motor assembly on the gas control valve (see Figure 12 – item "c").

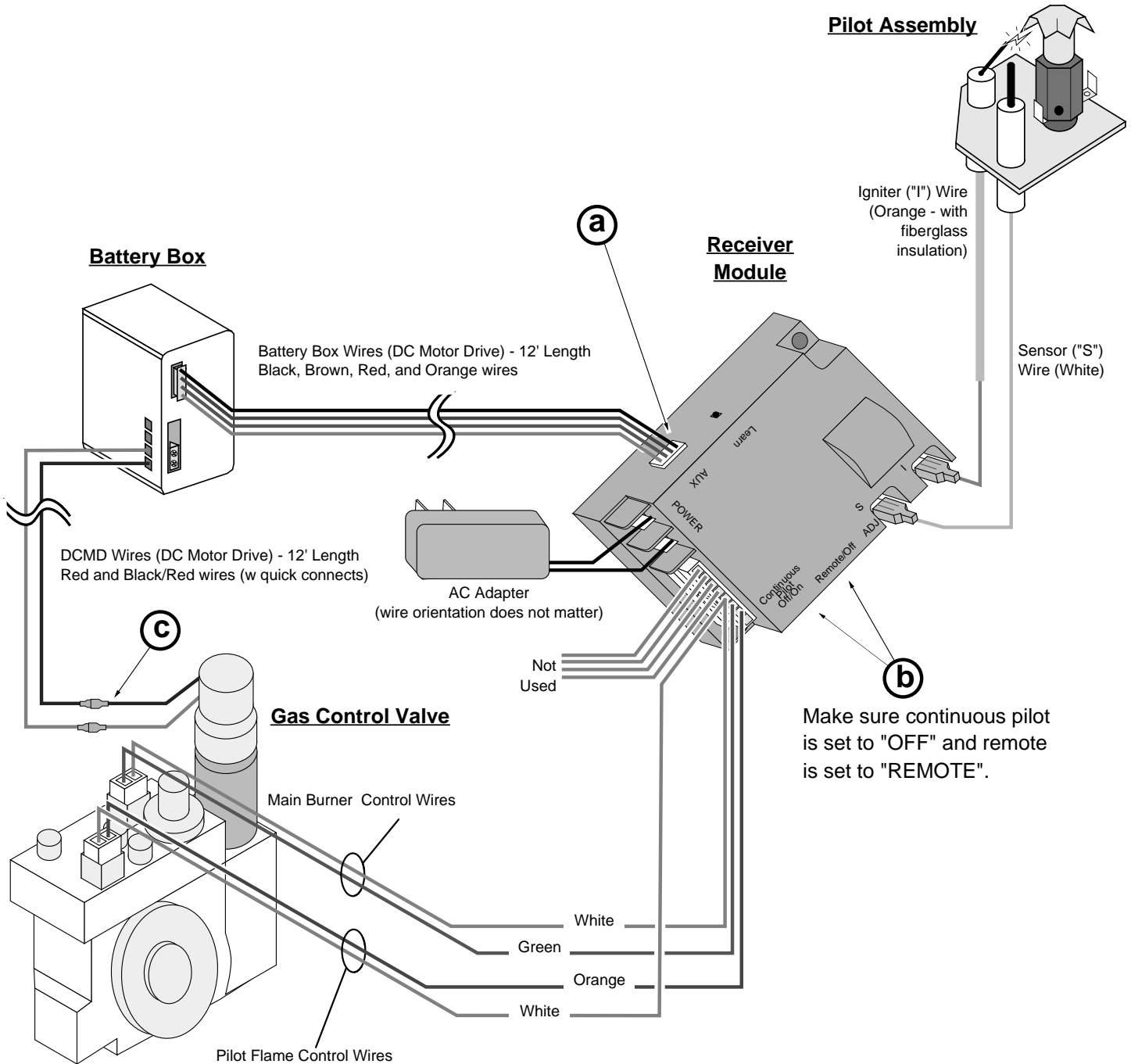


Figure 12

- Determine a location for the single-gang junction box that contains the battery pack and wireless wall switch. It must be located within 12' of the DCMD and battery pack wires that lead to the gas control valve and receiver module on the fireplace (see Figure 11). Mount the junction box.
- Insert the DCMD and battery pack wires through the junction box, leaving approximately 8" of slack so the battery pack may be removed and the batteries replaced. Use a staple or other means to secure the wiring to the framing – this prevents the wires from slipping out of the junction box in the event the wires become disconnected from the battery pack (see Figure 11). **NOTE:** The wiring is low-voltage (6V) and does not require a strain relief. Connect the DCMD and battery pack wires to the battery pack (see Figure 13).

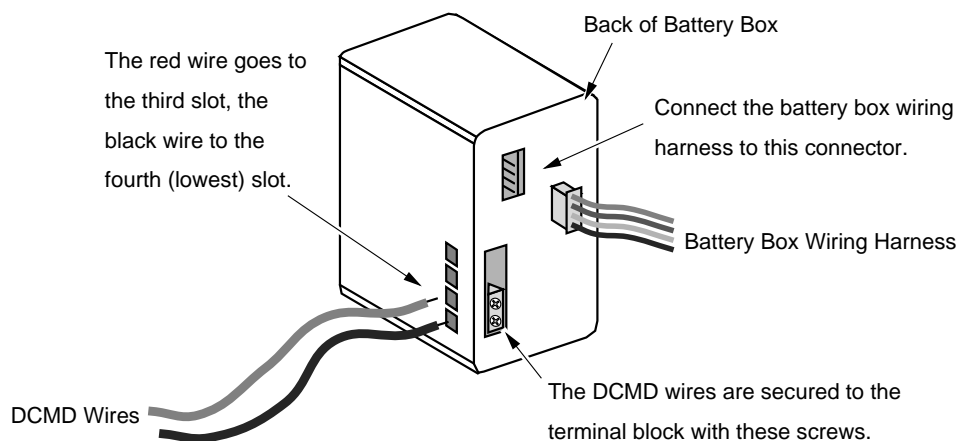


Figure 13

**NOTE:** You may wish to install the wireless wall switch (and cover plate) after the drywall has been installed. Remember to mask off this area prior to drywall installation.

- Make sure the battery box is switched to "DC Motor Drive". Place the battery pack inside the junction box. Attach the wireless wall switch to the junction box with the included screws. Attach the cover plate to finalize the wall plate installation.

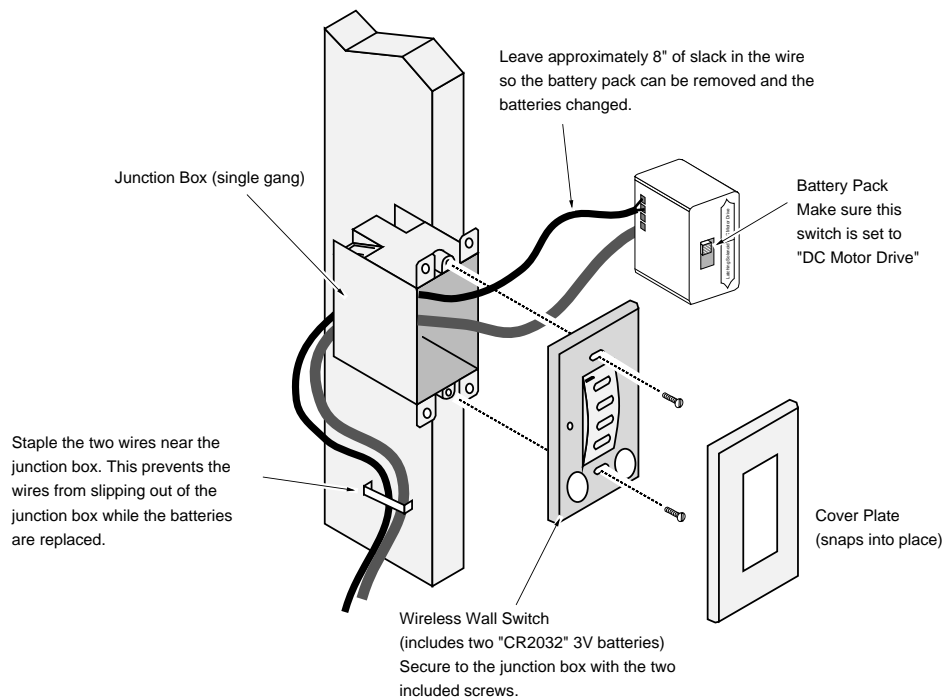


Figure 14

**INSTALLATION WARNING – Remote Synchronization**

At this time we highly recommend you verify the remote and wireless wall switch are synchronized. This process requires access to the receiver module – a component that is easily accessed when the side of the fireplace is exposed. See the instructions on page 23 for details.

**Battery Installation**

This fireplace requires batteries for the remote, wireless wall switch, and battery box. We recommend the batteries be replaced every year to insure proper operation. Follow the directions below to install.

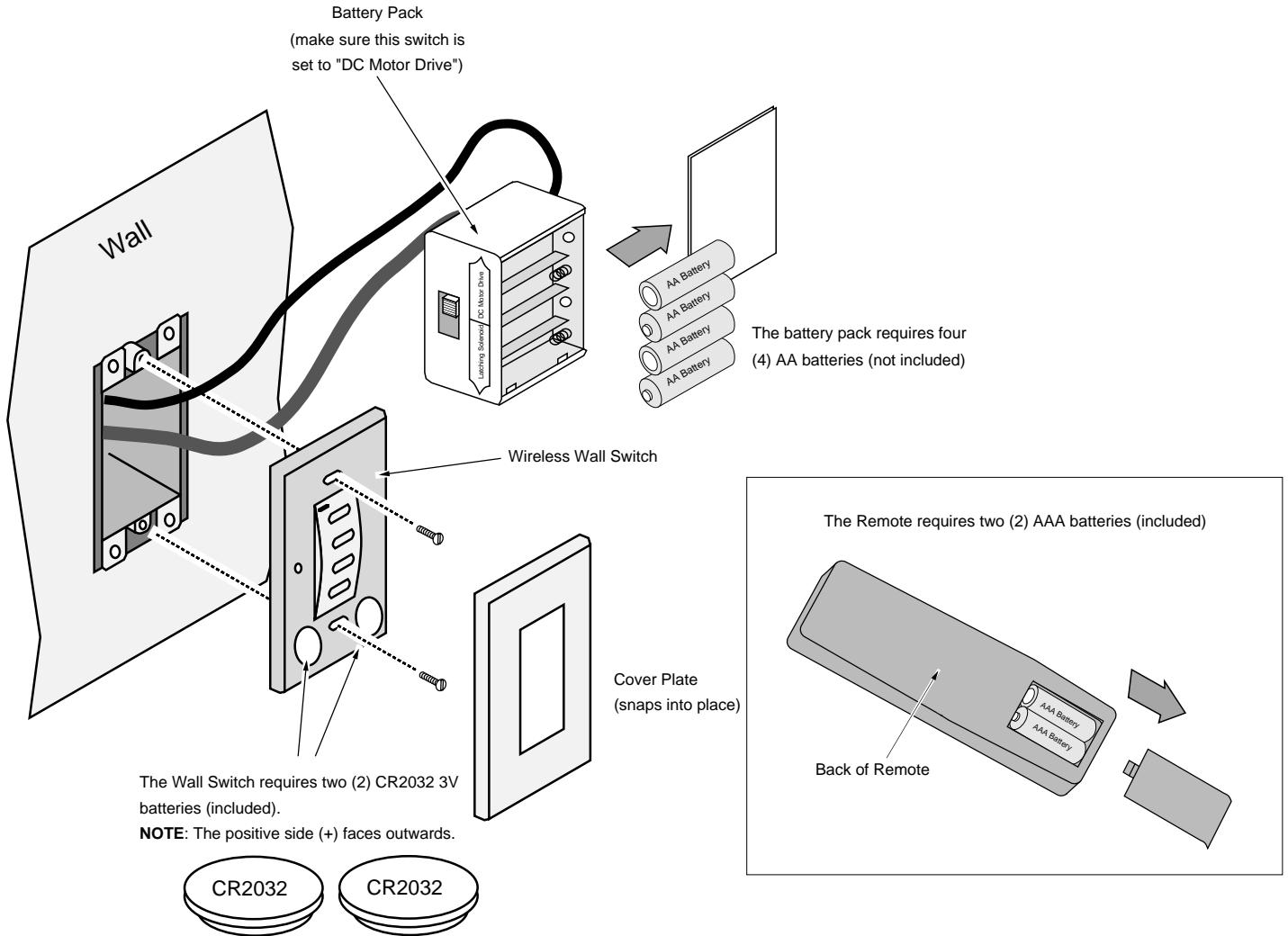


Figure 15

## Remote Synchronization



The fireplace is shipped with the remote and wall switch **pre-synchronized** with the receiver module on the fireplace. Do not synchronize the remote(s) unless you are 100% sure they do not work correctly.

The wall switch and remote have unique codes that allow them to communicate independently with the receiver module on the fireplace.

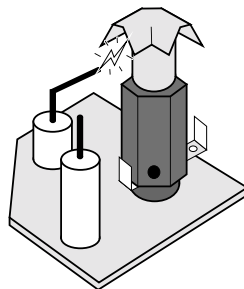
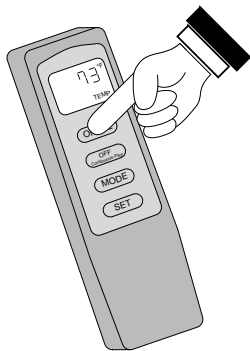
### Testing the Remote and Wireless Wall Switch for Synchronization

**NOTE:** The battery box, remote, and wall switch must have batteries to complete this process.

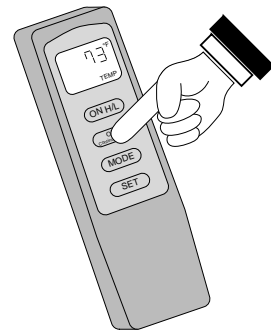
**a** Shut the gas off to the appliance.

**b** Press the "ON" button on the remote.

The spark electrode on the pilot assembly will start to spark\*.

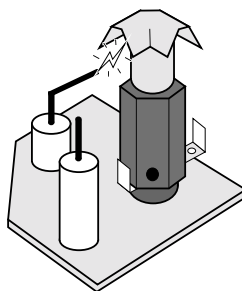
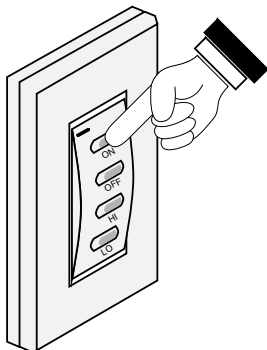


**c** Press the "OFF" button on the remote.

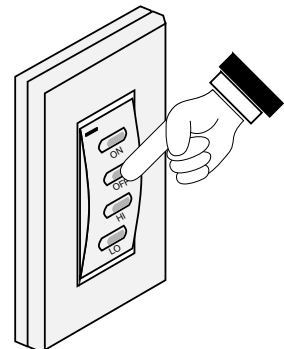


**d** Press the "ON" button on the wall switch.

The spark electrode on the pilot assembly will start to spark\*.



**e** Press the "OFF" button on the wall switch.



\* If either the remote or wall switch do not work properly, follow the steps to Synchronize the remote and wall switch on the following page.

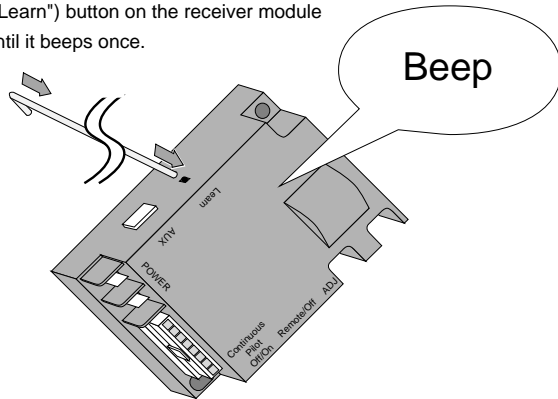
Figure 16

## Synchronizing the Remote and Wireless Wall Switch

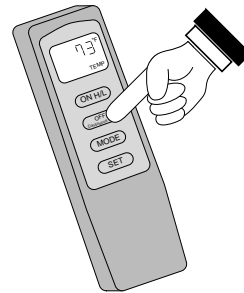
**NOTE:** The battery box, remote, and wall switch must have batteries to complete this process.

**WARNING:** Shut the gas off to the fireplace prior to conducting this process.

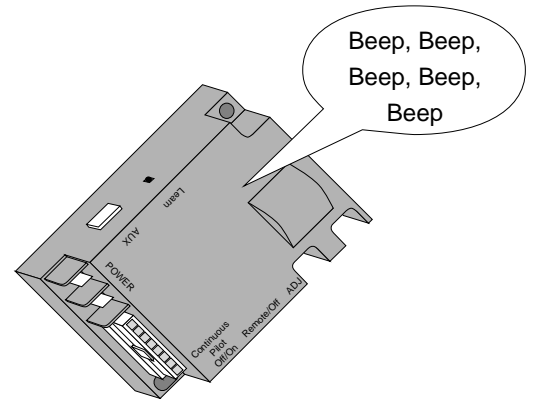
Use the reset rod (see instructions on the following page) to press the reset ("Learn") button on the receiver module until it beeps once.



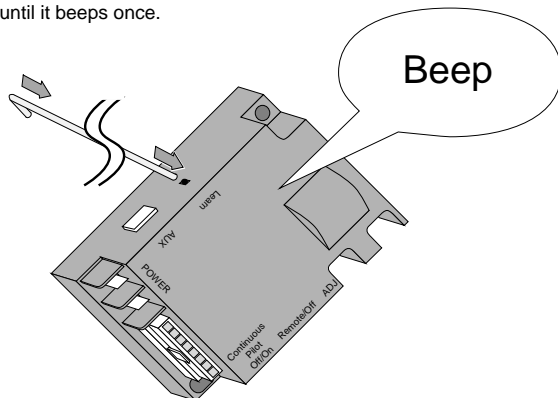
Press the "OFF" button on the remote.



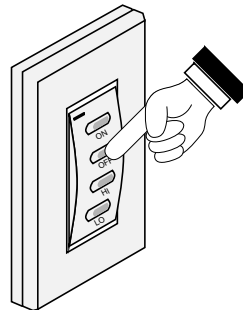
The receiver will acknowledge the signal by beeping 5 times.



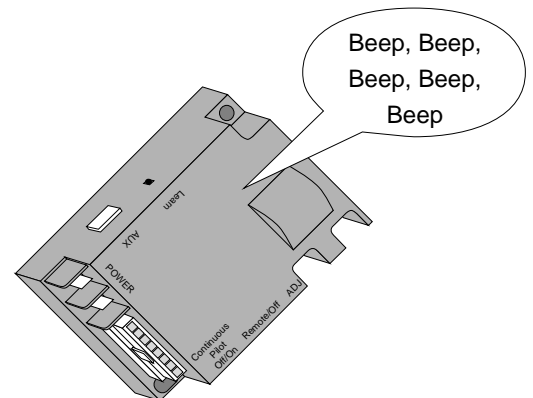
Use the reset rod (see instructions on the following page) to press the reset ("Learn") button on the receiver module until it beeps once.



Press the "OFF" button on the wireless wall switch.



The receiver will acknowledge the signal by beeping 5 times.



### NOTE: Re-setting the Receiver Module

If the receiver module fails to synchronize with the remote or wall switch after two attempts, you should re-set the receiver module. To do this, hold down the LEARN button on the receiver for approximately 10 seconds until the receiver beeps 3 times. This indicates the receiver has been re-set and can be synchronized using the instructions above.

The receiver module has enough memory to store three remotes. If you re-synchronize the remotes, you may overwhelm the receiver memory, nullifying one of the earlier programmed remotes. In these cases, you should reset the receiver module and re-synchronize.

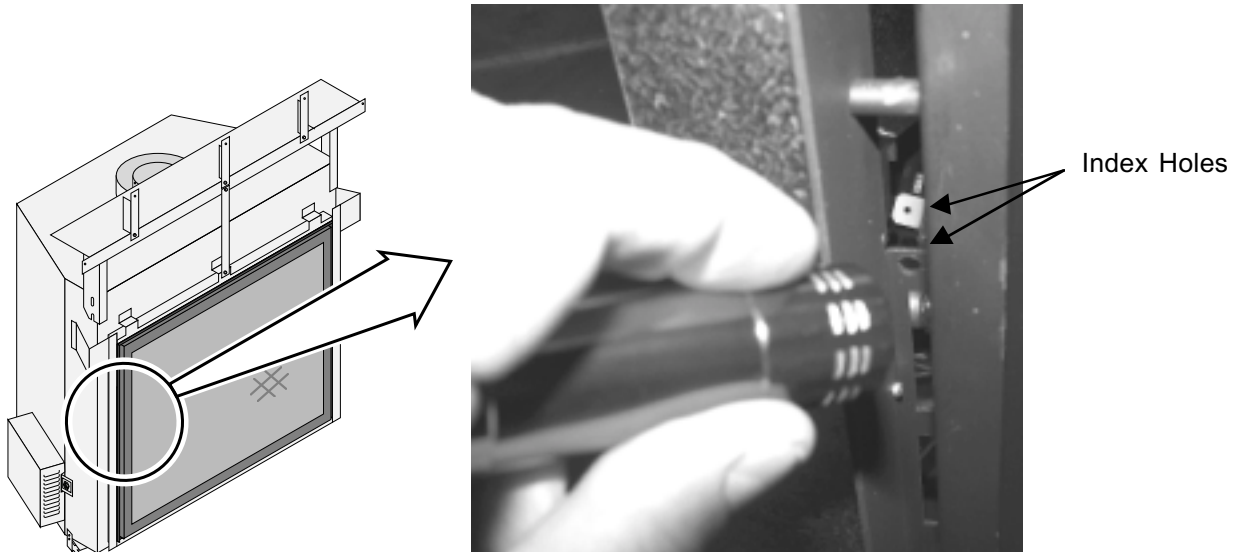


## Using the Reset Rod to Activate the Receiver Module

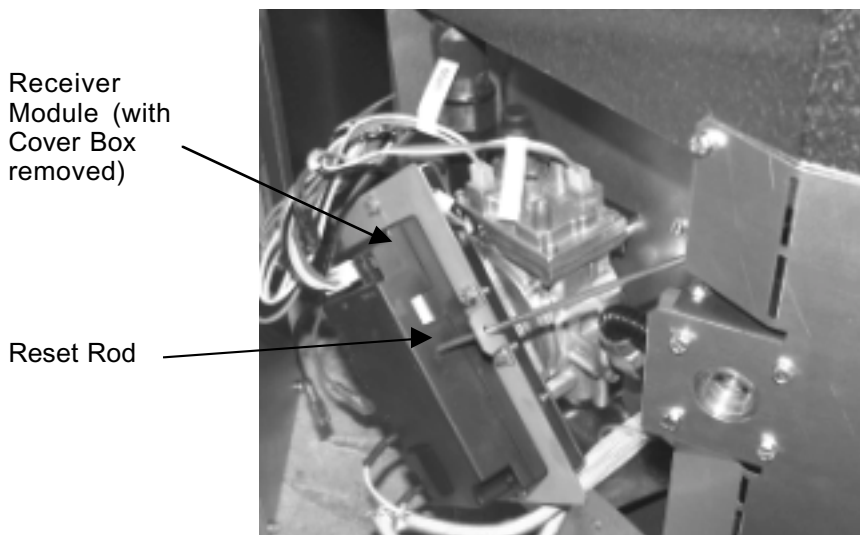
A reset rod is included in the owner's pack to allow the receiver module to be reset externally.



With the glass removed, locate the two index holes to the left side of the firebox. Shine a flashlight into the cavity to better illuminate the second hole.



Slide the reset rod through the index holes. The rod will line up with the reset ("Learn") button on the receiver module. Press lightly on the rod to activate the button.



When done, hang the reset rod in the gap behind the glass frame.



## Vent Requirements

- The gas appliance and vent system must be vented directly to the outside of the building, and never be attached to a chimney serving a separate solid fuel or gas-burning appliance. Each direct vent gas appliance must use its own separate vent system.
- In addition to the requirements listed here, follow the requirements provided with the vent.
- A firestop is required whenever the vent penetrates a floor or ceiling (or passes through horizontal framing members). A thimble is required whenever the vent passes through a wall (or horizontal framing members).
- Venting installation instructions may be found at [www.duravent.com](http://www.duravent.com). Keep the vent instructions, along with this manual, with the appliance for future reference.

## Approved Vent

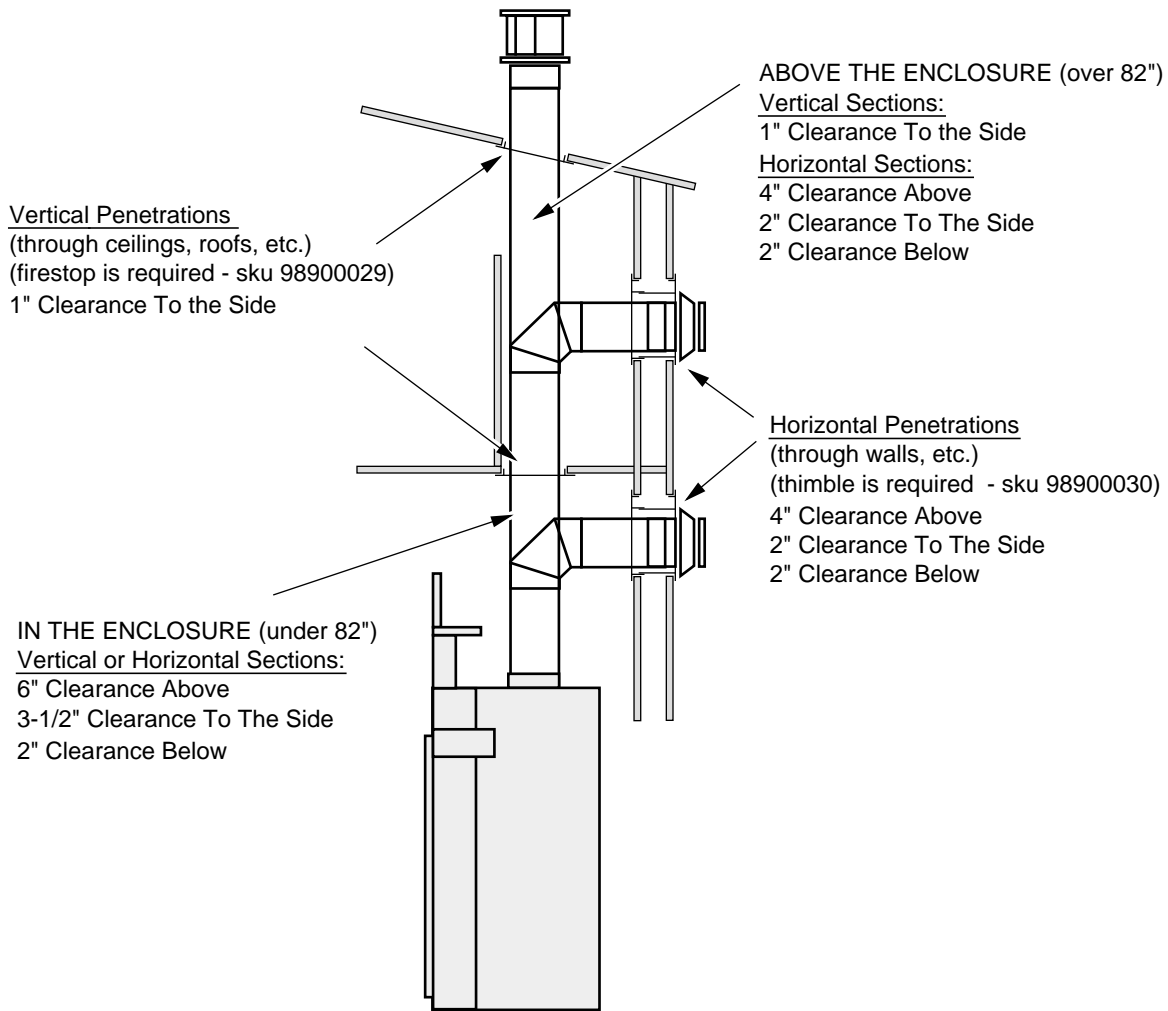
- This fireplace may only use the following vent components (8-5/8" / 6" external diameter co-axial vent). These parts are available from Travis Dealers.

	Simpson Part #	Travis Part #
6" Length	68GSS-06	98900024
12" Length	68GSS-12	98900023
24" Length	68GSS-24	98900022
36" Length	68GSS-36	98900021
48" Length	68GSS-48	98900020
4" to 8" Adjustable Length (Slip Connector)	68GSS-12A	98900025
45° Elbow	68GSS-L45	98900026
90° Elbow	68GSS-L90	98900027
Wall Thimble	68G-SS-WT	98900030
Fire Stop	68G-SS-FS	98900029
Elbow Strap	68G-SS-ES	98900028
Wall Strap	68G-SS-WS	98900031
Adjustable Roof Flashing (0/12 to 6/12)	68G-SS-F	98900035
Adjustable Roof Flashing (7/12 to 12/12)	68G-SS-SF	98900036
Storm Collar	68G-SS-SC	98900032
Vinyl Siding Stand-off	68GSS-VSS	98900037
Horizontal Termination	68G-SS-HC	98900033
Vertical Termination	68G-SS-VC	98900034

## Altitude Considerations

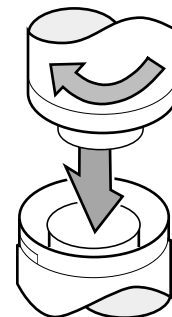
- This heater has been tested at altitudes ranging from sea level to 6,000 feet. In this testing we have found that the heater, with its standard orifice, burns correctly with just an air shutter adjustment.
- Failure to adjust the air shutter properly may lead to improper combustion which can create a safety hazard. Consult your dealer or installer if you suspect an improperly adjusted air shutter.

## Vent Clearances



## Vent Installation

- Slide the vent sections together and turn 1/4 turn until the sections lock in place.
- Screws are not required to secure the vent. However, three screws may be used to secure vent sections together if desired.
- High temperature sealant is recommended at the appliance starter section connection (use high-temperature silicone or Mill-Pac®).
- If disassembly is required, at time of re-assembly check to see if the vent creates a tight fit. If it does not, apply high temperature sealant to the joints of the affected sections.
- Horizontal sections require a 1/4" rise every 12" of travel
- Horizontal sections require non-combustible support every three feet (e.g.: plumbing tape)



**Approved Vent Configurations**

**Restrictor Position**

- Intake and exhaust restrictors are built into the appliance to adjust the flow rate of intake air and exhaust gases. Depending upon the vent configuration, you may be required to adjust the restrictor positions. The charts for acceptable vent configurations detail the correct vent restrictor positions.

**Exhaust Restrictor Adjustment**

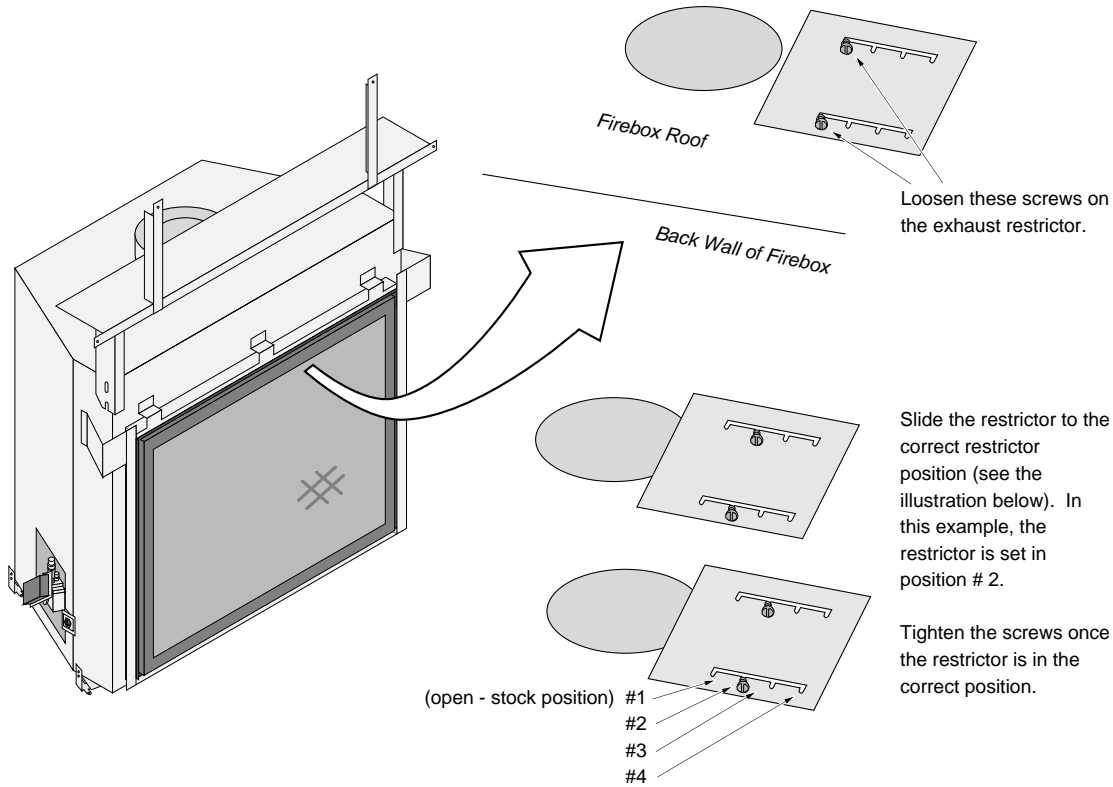


Figure 17

**Intake Restrictor Adjustment**

The intake restrictor is shipped in the forward position (pulled towards the glass). To change the intake restrictor to the back position (pushed toward the back of the firebox), follow the directions below.

Intake Air Restrictor

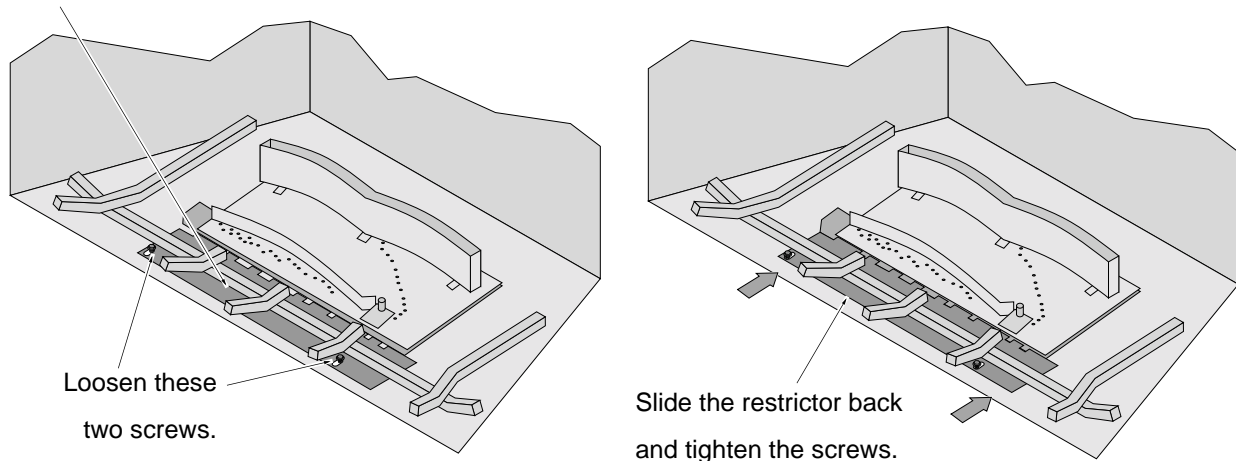


Figure 18

## Approved Vent Configuration with Horizontal Termination (1 90° Elbow)

- The termination must fall within the shaded area shown in the chart. Use the indicated restrictor positions.

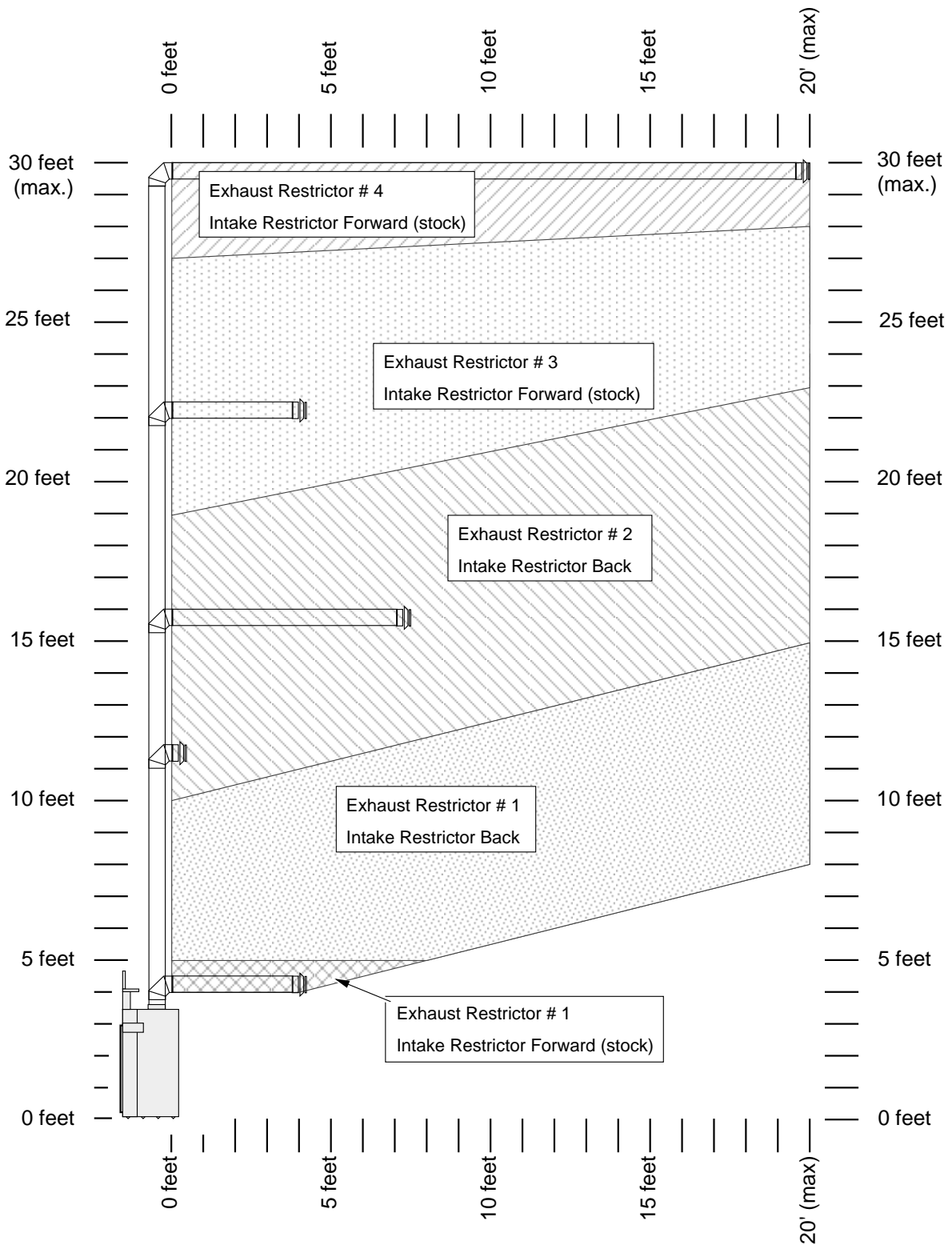


Figure 19

**Approved Vent Configuration with Horizontal Termination (3 90° Elbows)**

- The termination must fall within the shaded area shown in the chart. Use the indicated restrictor positions.

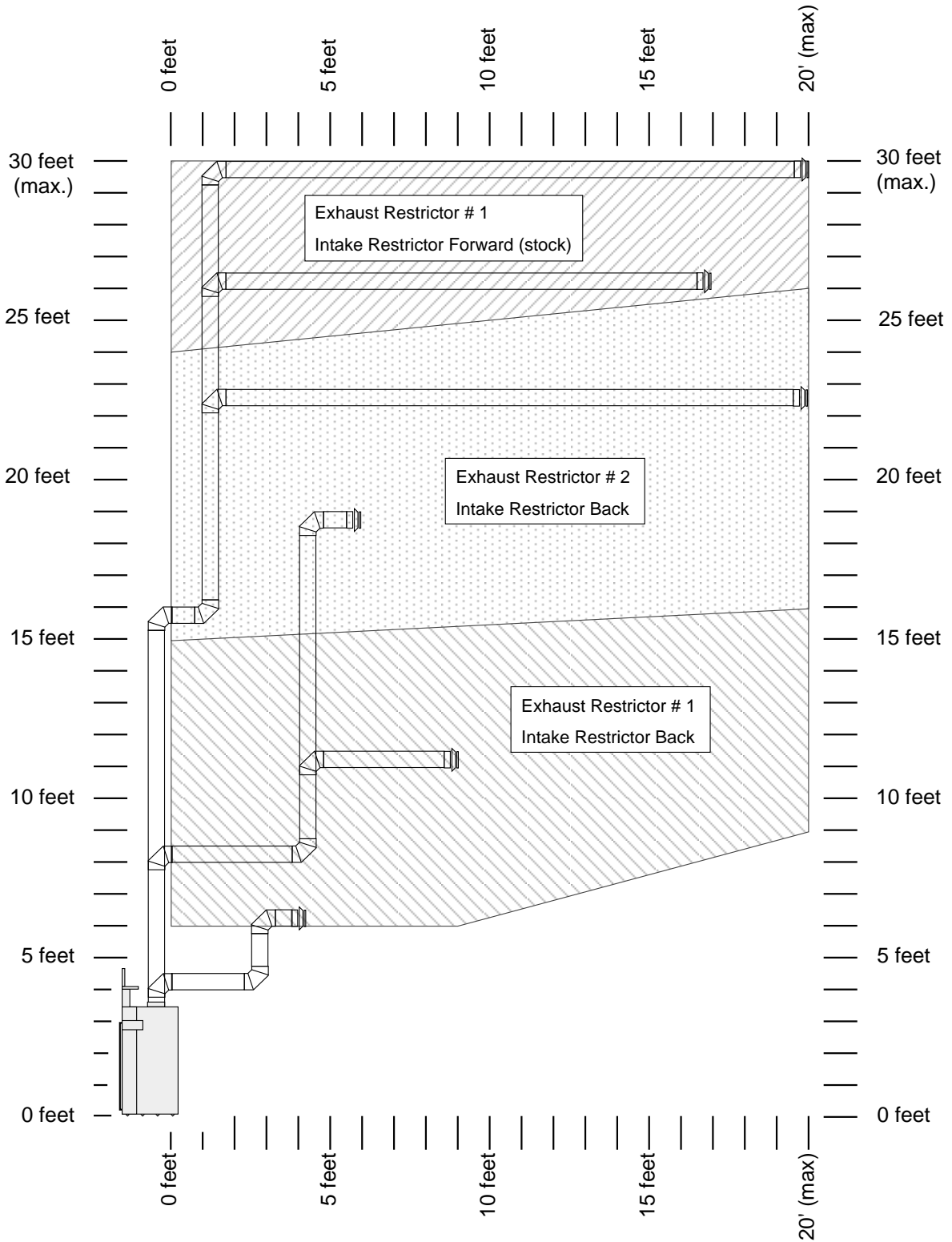


Figure 20

## Approved Vent Configuration with Vertical Termination (0, 2, or 4 45° Elbows)

- The termination must fall within the shaded area shown in the chart. Use the indicated restrictor positions.

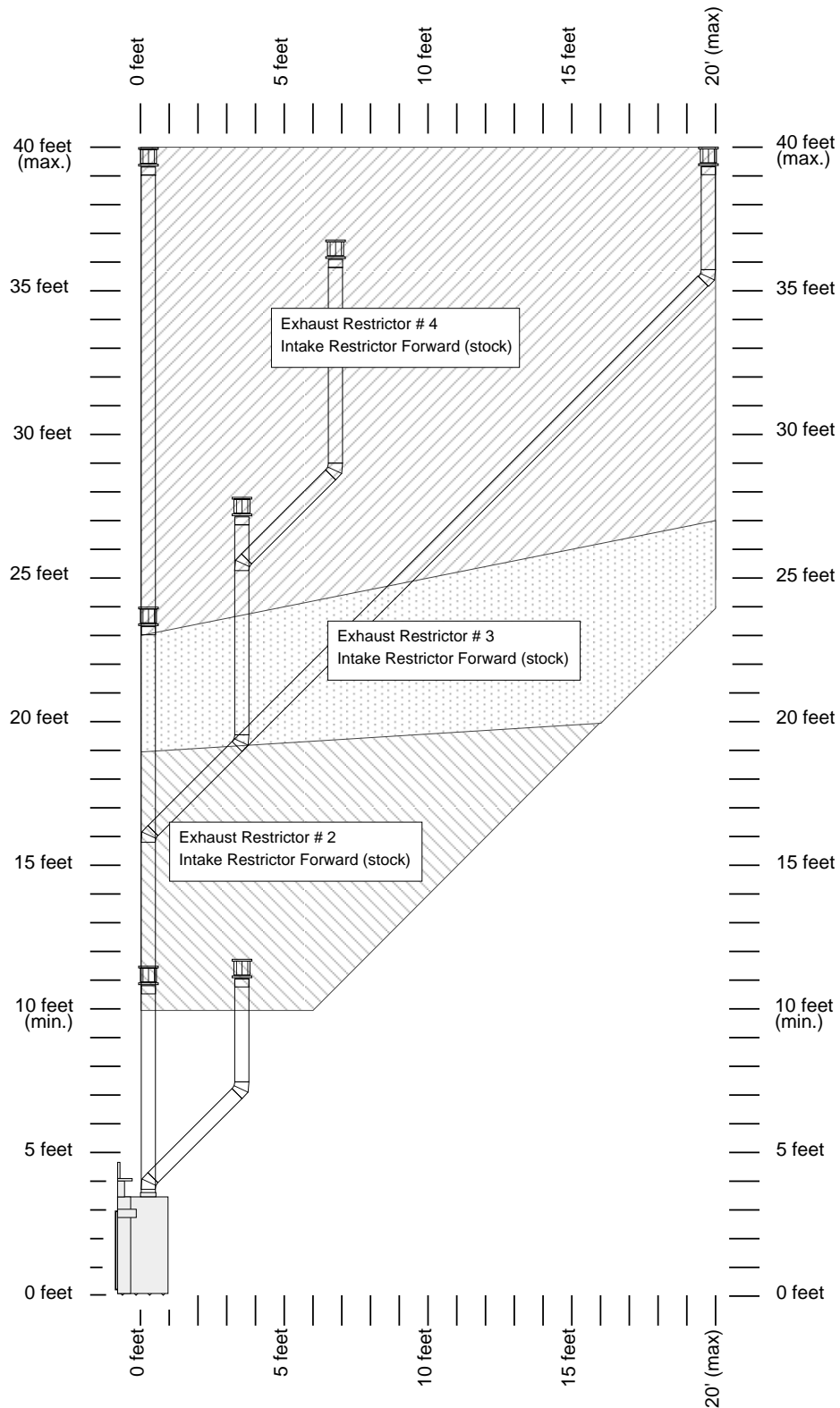


Figure 21

**Approved Vent Configuration with Vertical Termination (2 90° Elbows)**

- The termination must fall within the shaded area shown in the chart. Use the indicated restrictor positions.

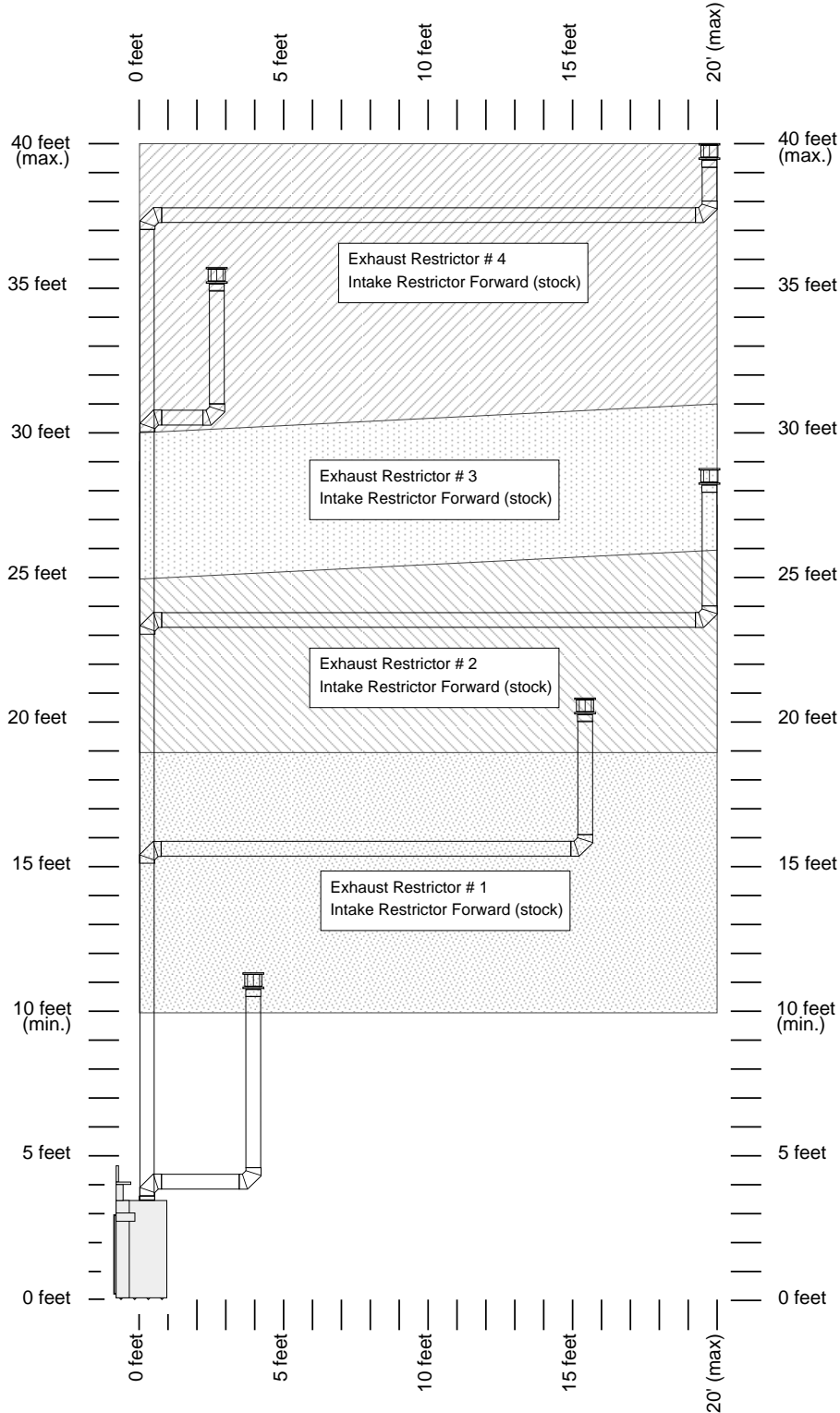


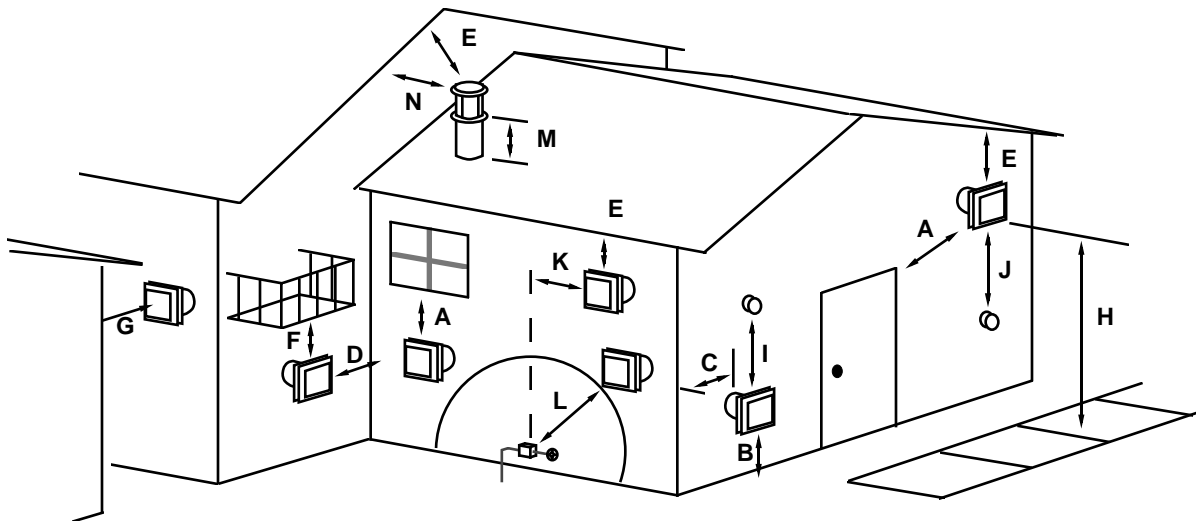
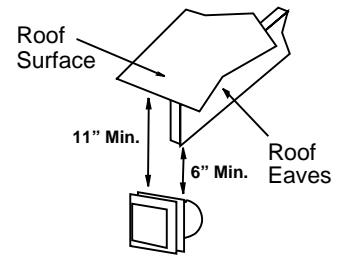
Figure 22



## Termination Requirements

**! Venting terminals shall not be recessed into a wall or siding.**

- A Minimum 9" clearance from any door or window
- B Minimum 12" above any grade, veranda, porch, deck or balcony
- C Minimum 3-3/8" from outside corner walls  
**NOTE:** Clearance in accordance with local installation codes and the requirements of the gas supplier.
- D Minimum 12" from inside corner walls  
**NOTE:** Clearance in accordance with local installation codes and the requirements of the gas supplier.
- E Minimum 11" clearance below unventilated soffits or roof surfaces  
Minimum 18" clearance below ventilated soffits  
Minimum 6" clearance below roof eaves  
**NOTE:** Vinyl surfaces require 24"  
**NOTE:** Clearance in accordance with local installation codes and the requirements of the gas supplier.
- F Minimum 12" clearance below a veranda, porch, deck or balcony  
**NOTE:** Permitted only if veranda, porch, deck, or balcony is fully open on a minimum of two sides beneath the floor.  
**NOTE:** Clearance in accordance with local installation codes and the requirements of the gas supplier.
- G Minimum 48" clearance from any adjacent building
- H Minimum 84" clearance above any grade when adjacent to public walkways or driveways  
**NOTE:** may not be used over a walkway or driveway shared by an adjacent building
- I Minimum 9" clearance to any nonmechanical air supply inlet to the building or the combustion air inlet to any other appliance.
- J Minimum 36" clearance above any mechanical air supply inlet if within 10' horizontally
- K Minimum 36" from the area above the meter/regulator (vent outlet)  
**NOTE:** Clearance in accordance with local installation codes and the requirements of the gas supplier.
- L Minimum 36" from the meter/regulator (vent outlet)  
**NOTE:** Clearance in accordance with local installation codes and the requirements of the gas supplier.
- M Minimum 12" above the roof line (for vertical terminations)
- N Minimum 24" horizontal clearance to any surface (such as an exterior wall) – for vertical terminations



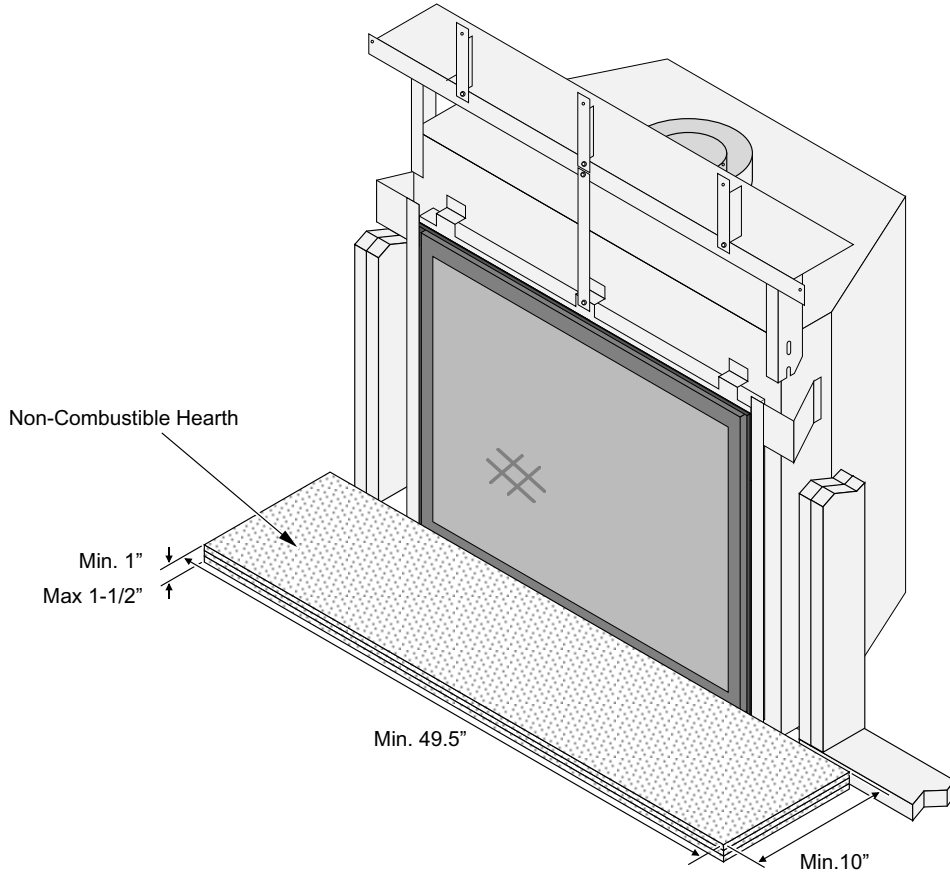
**NOTE: Measure clearances to the nearest edge of the exhaust hood.**

- Use the vinyl siding standoff when installing on an exterior with vinyl siding.
- Vent termination must not be located where it will become plugged by snow or other material

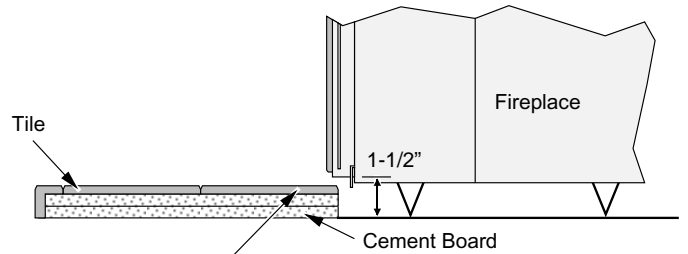
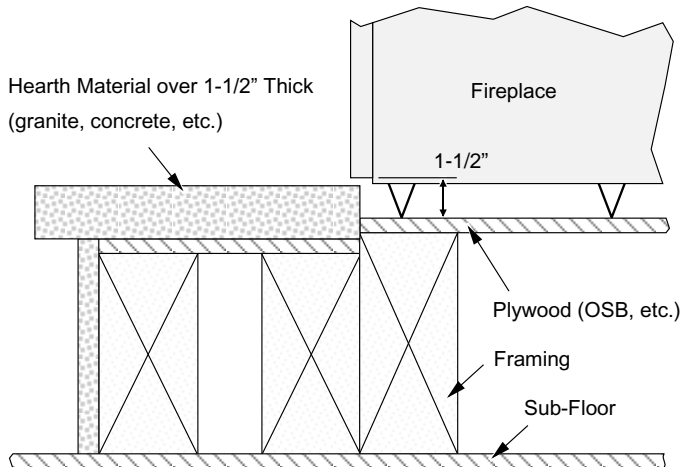
**Hearth Requirements**

**NOTE:** Whenever using hearth over 1-1/2" thick, the fireplace will need to be raised.

**Flush Hearth**



**Side View**



**NOTE:** Do not build a hearth more than the 1-1/2" maximum above the base of the fireplace (it must fit under the glass frame).

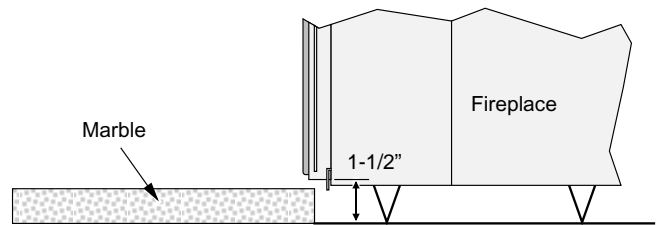


Figure 23

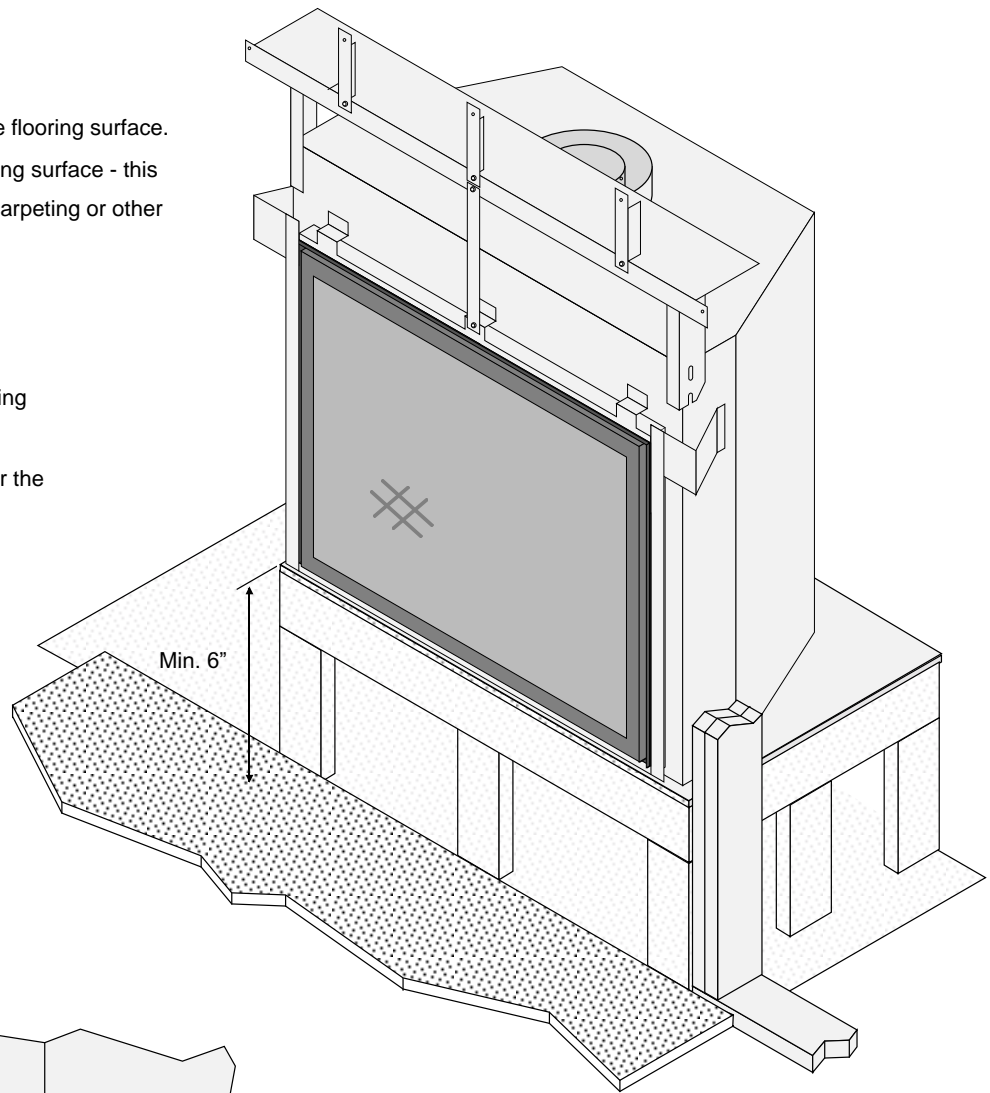
## Hearth Requirements – Recessed Hearth

A hearth is not required if raised 6" above the flooring surface.

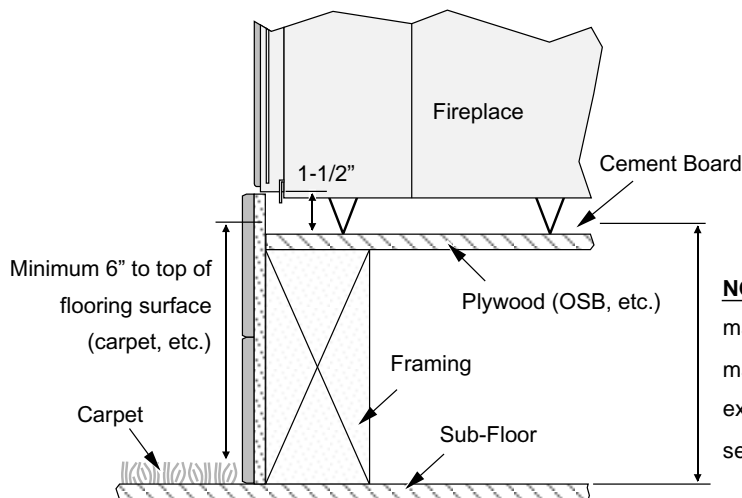
**NOTE:** Make sure to accommodate the flooring surface - this distance must be measured from the top of carpeting or other flooring material.

**WARNING:**

We recommend a hearth to protect the flooring surface from discoloration or other negative impact from the heater, especially if it is near the minimum raised height.



### Side View



**NOTE:** When building a raised fireplace, consider the facing material below the fireplace. If using tile, you may wish to make the platform a suitable height for un-cut tile. For example, if using 12" tile, make the platform 10-1/2" tall (10" section of framing + 1/2" plywood).

Figure 24

### Facing Requirements

- Attach the included fiber board (or other non-combustible) to the fireplace and framing (see Figure 25 below). This non-combustible facing must extend from the base of the fireplace to the header and to the framing members on both sides.

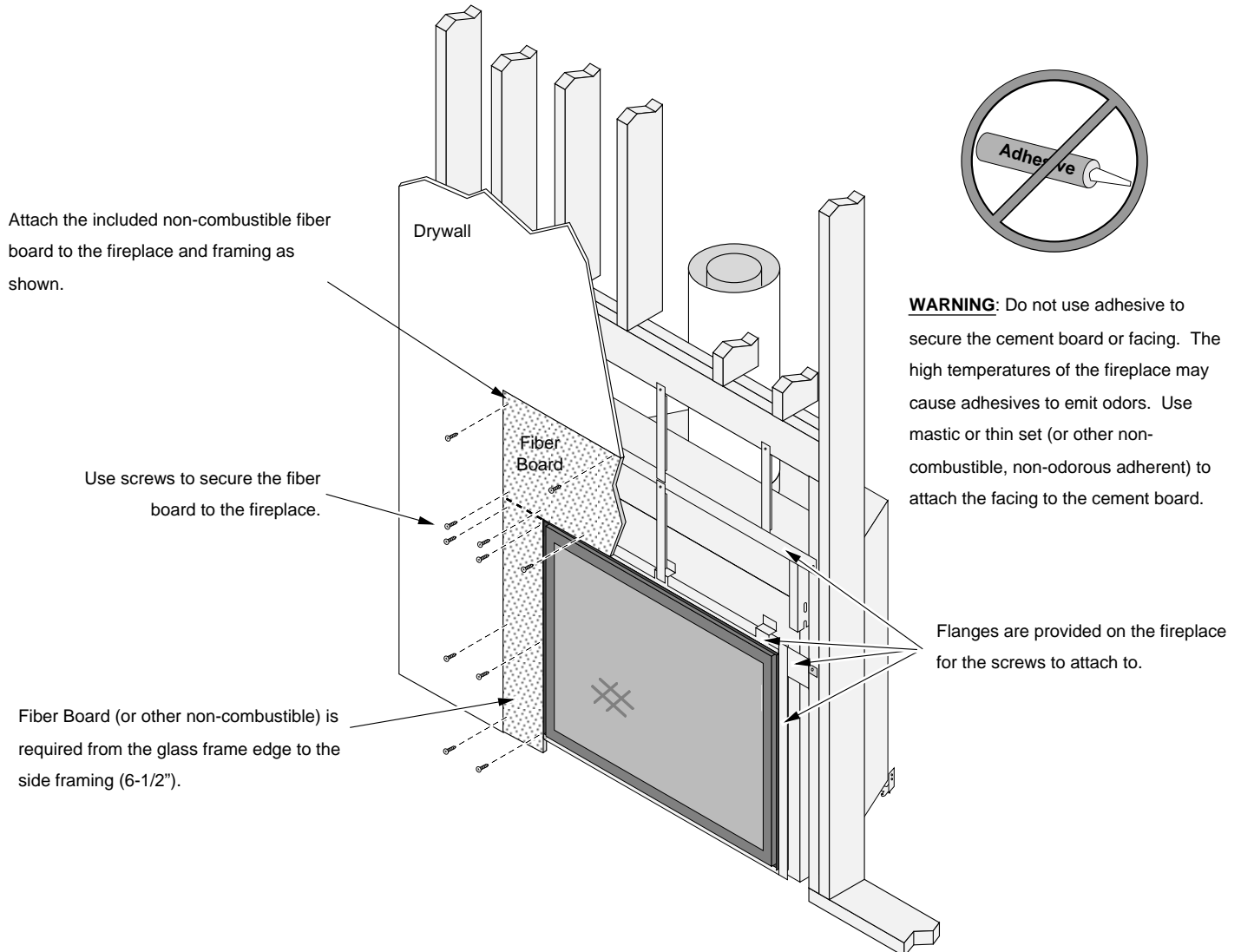


Figure 25

## Non-Combustible Facing

- Non-combustible facing on the front of the fireplace must extend a minimum 17-1/4" from the top of the glass frame. Above 17-1/4" combustibles may be used, but may not protrude more than 3/4" from the non-combustible facing. Any combustible that protrudes more than 3/4" is considered a mantel and must meet mantel clearances.
- Non-combustible facing on the front of the fireplace must extend a minimum 6-1/2" to each side of the glass frame. Beyond 6-1/2" combustibles may be used, but may not protrude more than 3/4" from the non-combustible facing. Any combustible that protrudes more than 3/4" is considered a side wall and must maintain the 11" side wall clearances.
- The maximum depth for non-combustible facing is 6" (includes the cement board).

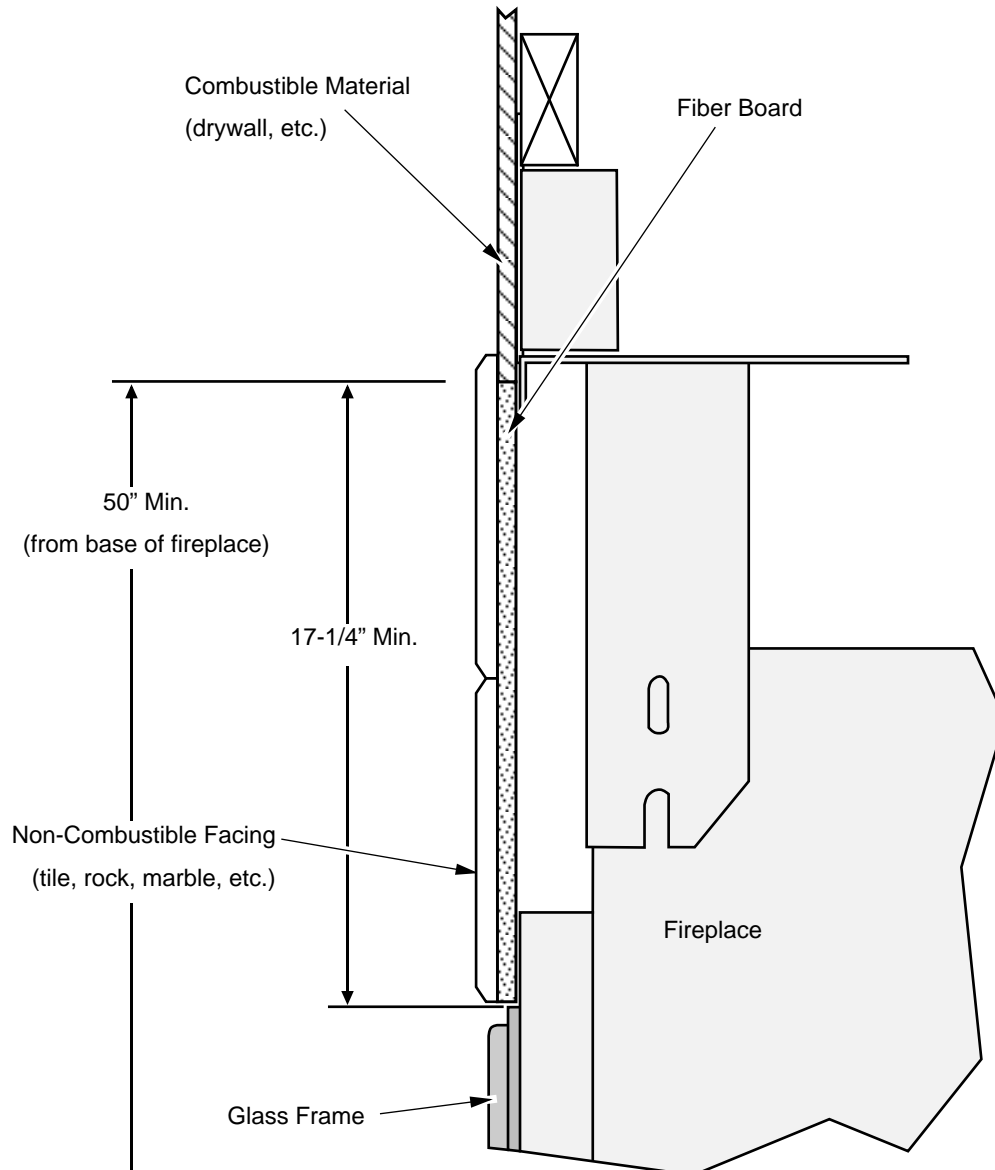
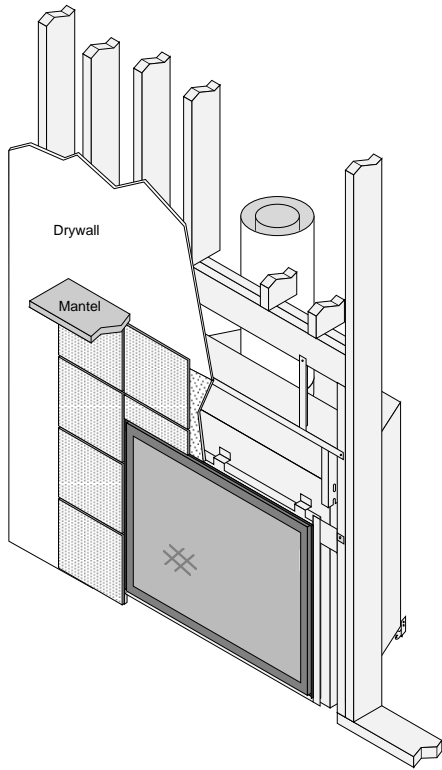
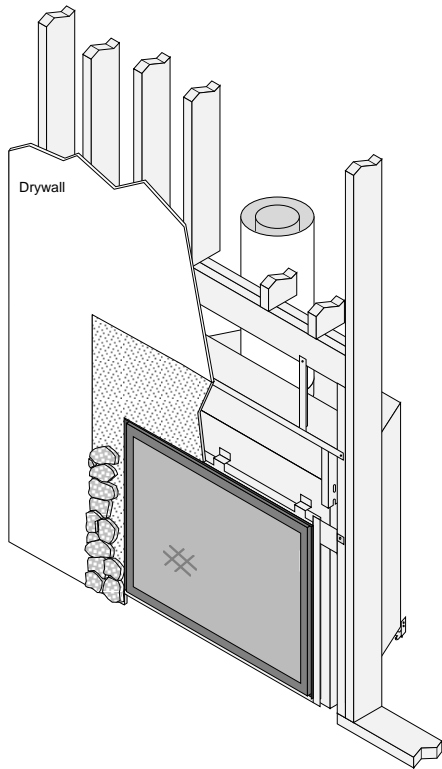
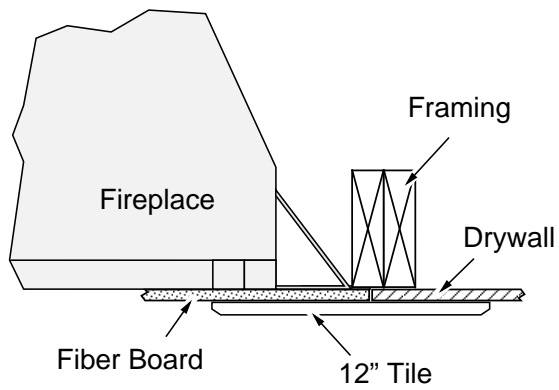


Figure 26

Facing Examples



TOP VIEW



TOP VIEW

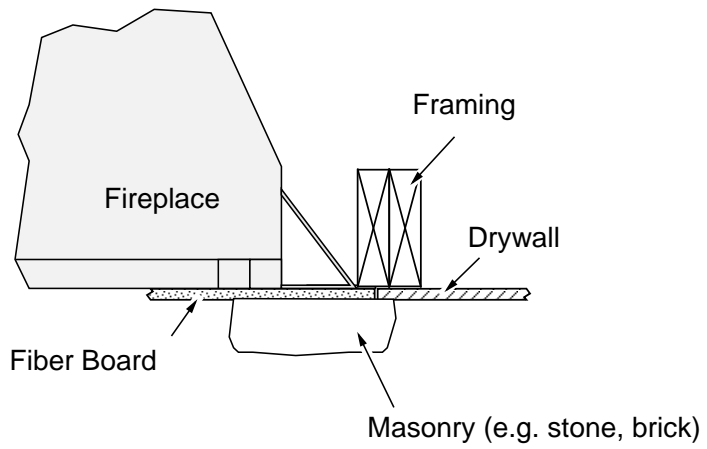


Figure 27

## Mantel Requirements

- The mantel (combustible or non-combustible) must be a minimum 50" above the base of the fireplace (see Figure 28).
- The maximum mantel depth is 12" (measured from the face).

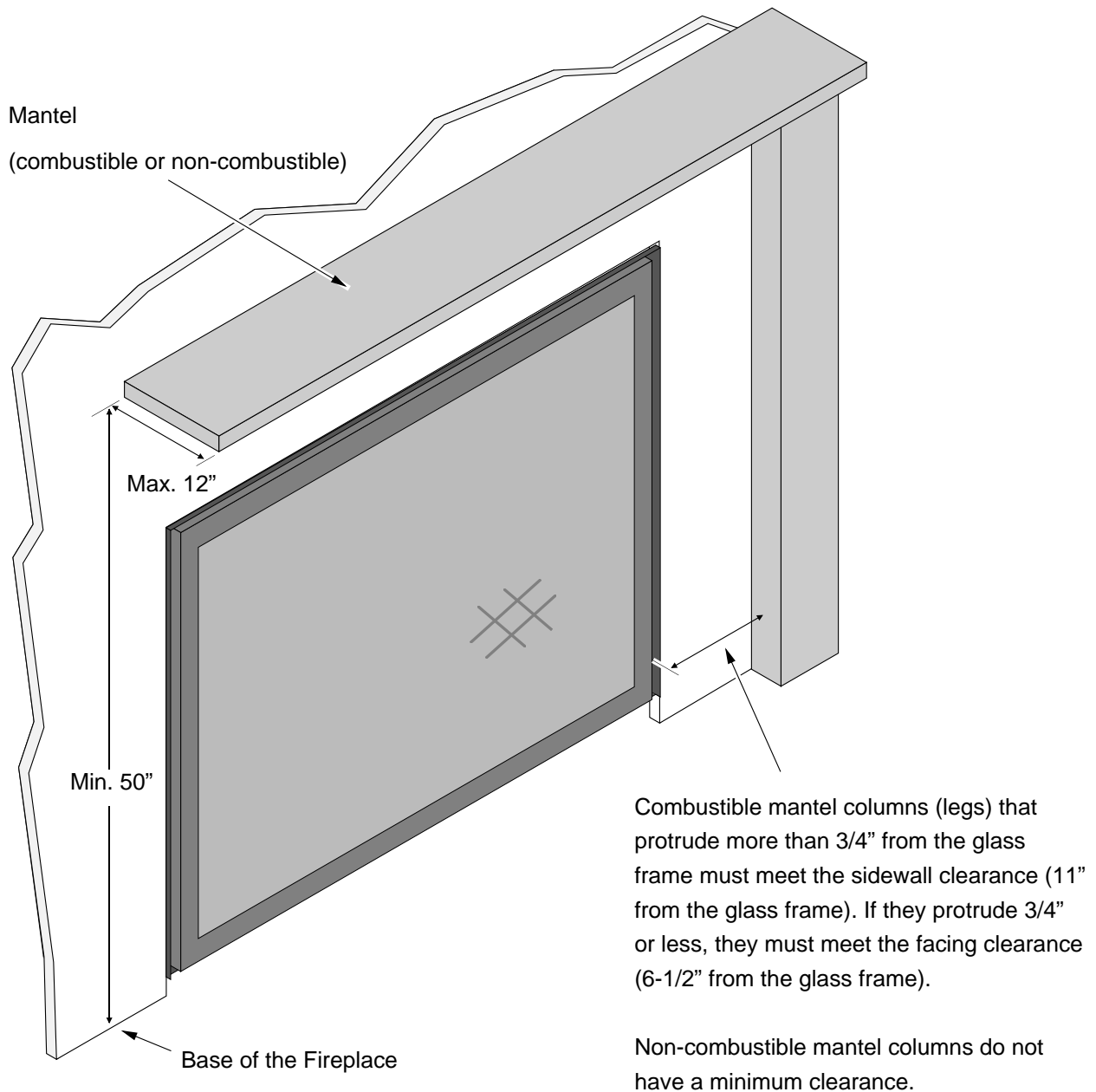
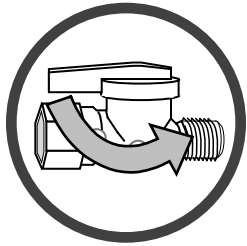


Figure 28

### Steps for Finalizing the Installation

---



**WARNING:** Prior to removing the glass, shut off gas to the appliance (or remove the batteries from the battery box and shut off electricity to the fireplace). This prevents any chance of accidental burner ignition when accessing the firebox.

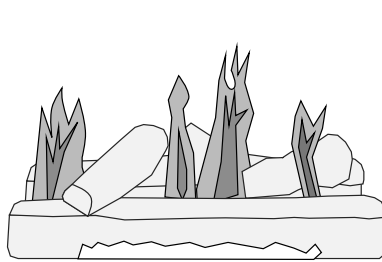
1. Remove the glass (see page 42).  
**NOTE:** If using propane (LP) convert the appliance prior to installing the logs (see page 51 for details)..
2. We recommend you purge the gas line at this time (with the glass removed). This allows gas to be detected once it enters the firebox, ensuring gas does not build up.
3. Install the firebacks (if applicable - see page 56) and logs (see page 43).
4. Turn on the gas to the fireplace. Turn on gas to the heater. Leak test all gas joints.
5. Replace the glass. Start the pilot.
6. Start the main burner. Leak test all gas joints again (the gas control valve and connections are located on the exterior of the fireplace on the left side).



7. Check the air shutter following the directions below.

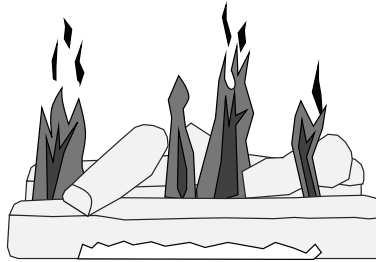
## Air Shutter Adjustment

Let the heater burn for fifteen minutes (make sure the logs and glass are in place). The flames should be yellow with no sooting. Adjust the air shutter, if necessary, to achieve the correct looking flame.



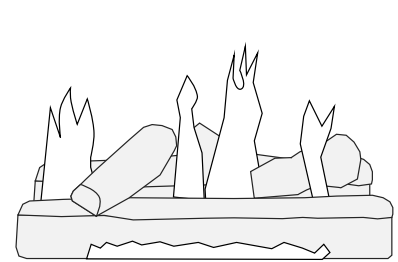
**Correct**

Flames should be blue at the base, yellow-orange on the top.



**Not Enough Air**

If the flames are too tall or sooty on the ends, open the air shutter.

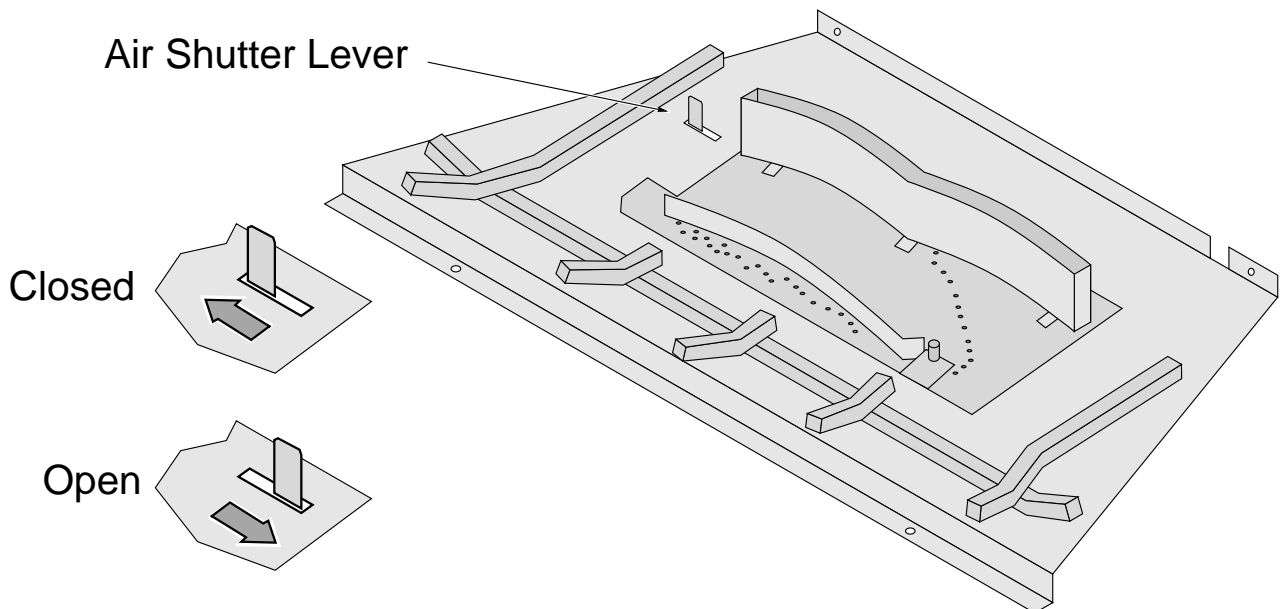


**Too Much Air**

If the flames are all blue and short, close the air shutter.

## How to Adjust the Air Shutter

The air shutter is located to the left of the burner and is accessed by removing the glass frame (see the illustration below). The air shutter lever may be adjusted with the logs in place – a screwdriver or other tool may be used to “tap” the lever to the desired position. After adjusting the air shutter replace the glass and verify flame quality.



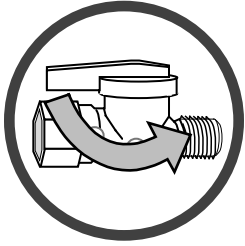
### **Suggested Min. Air Shutter Settings:**

<b>NG</b>	<b>1/8" Open (1/8" from the left)</b>
<b>LP</b>	<b>1/2" Open (1/2" from the left)</b>

8. Adjust the flame height to its highest position - the flames should not contact the top of the firebox. Check the flame on lowest position. The flames should burn off each burner hole. If the heater does not work correctly, contact your Travis dealer for a remedy.
9. Give this manual to the home owner for future reference and fully explain operation of this heater. For comprehensive operating and maintenance instructions, refer to the Owner's Manual (part # 100-01194).

## 42 Finalizing the Installation (for qualified installers only)

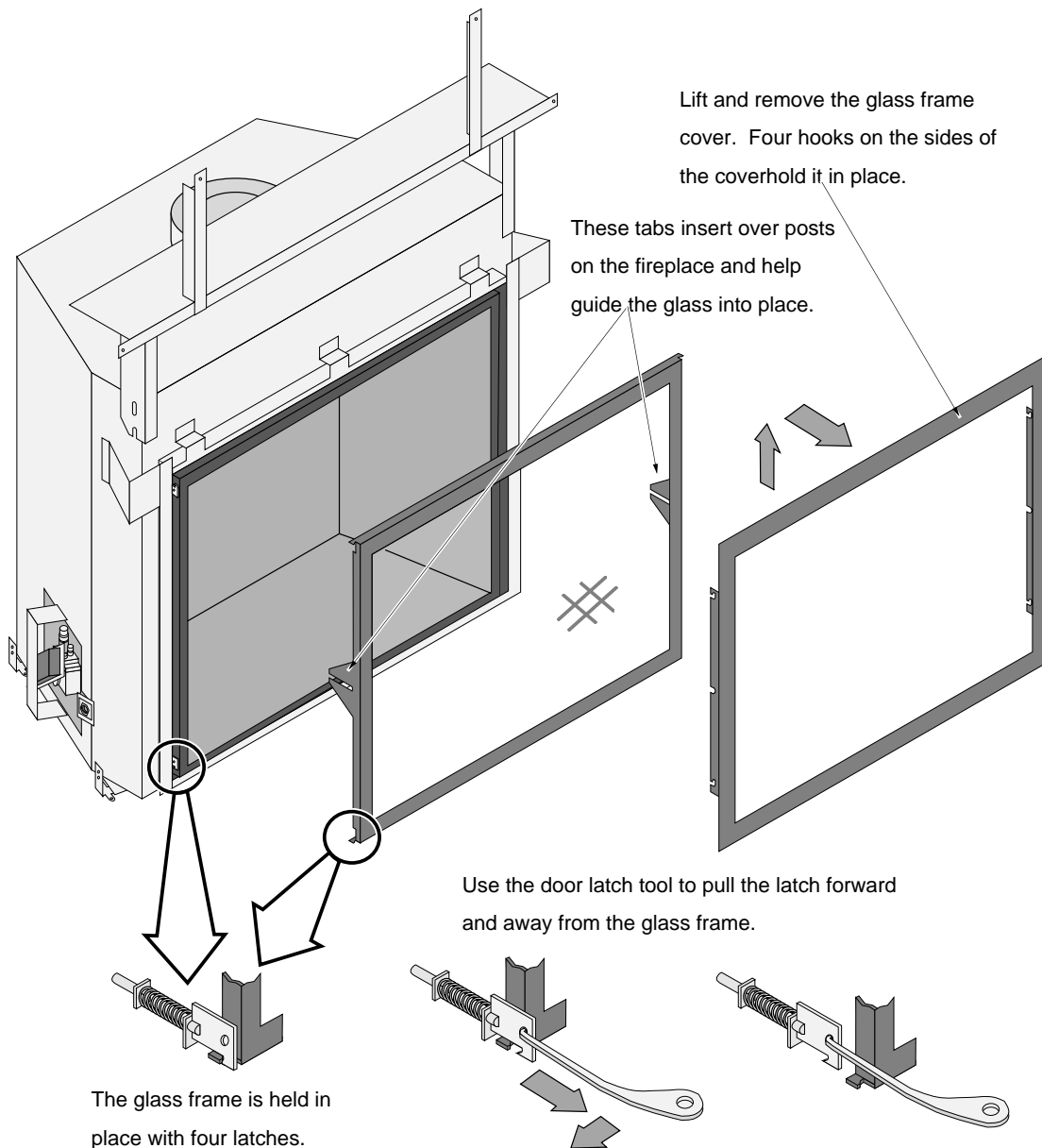
### Glass Frame Removal and Installation



**WARNING:** Prior to removing the glass, shut off gas to the appliance (or remove the batteries from the battery box and shut off electricity to the fireplace). This prevents any chance of accidental burner ignition when accessing the firebox.

**Warning:** The appliance must be completely cool before removing the glass.

**Warning:** Do not strike or slam the glass.



#### REPLACING THE GLASS

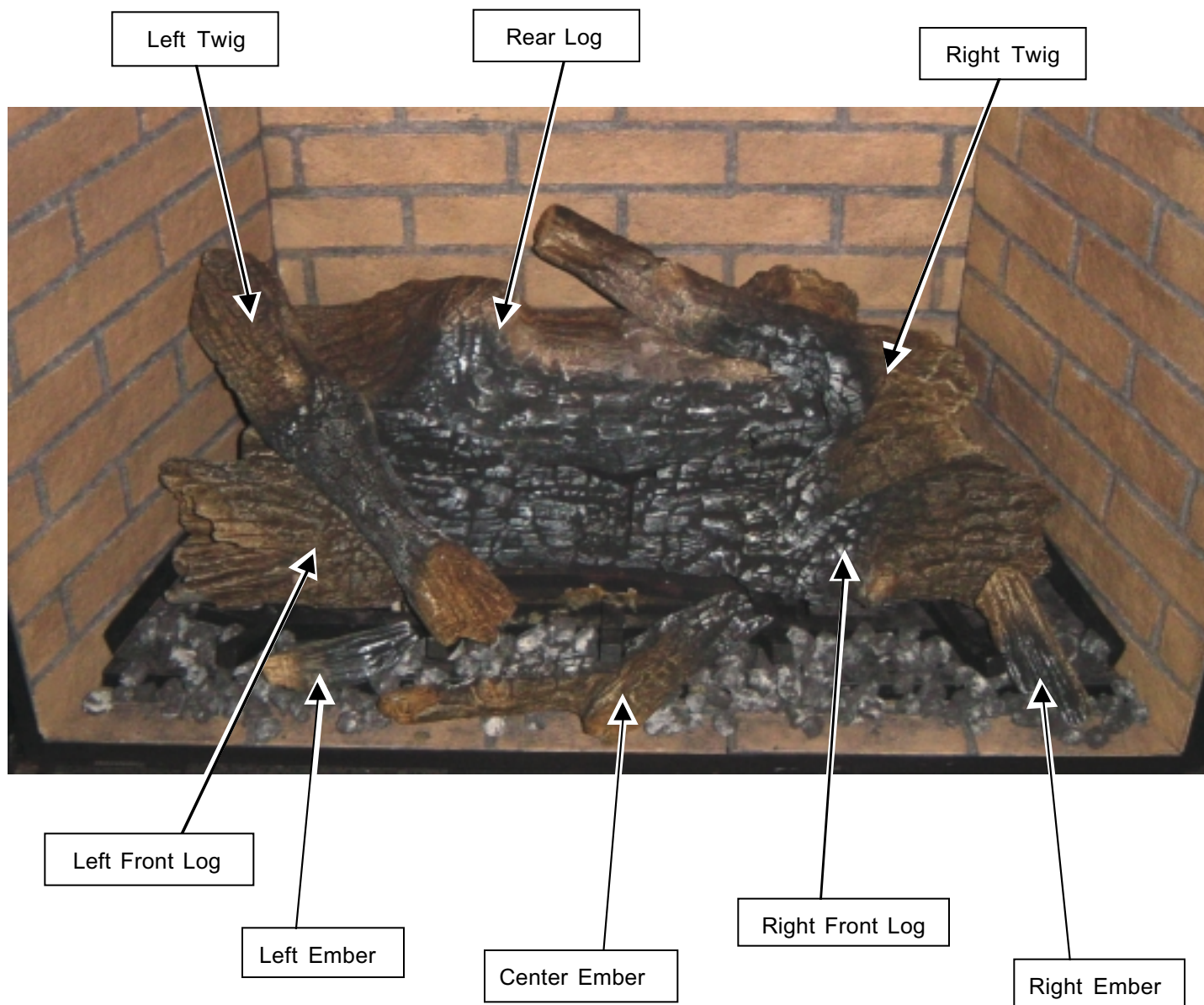
Slide the glass into place and secure the four latches.

Figure 29

## Log Set Installation

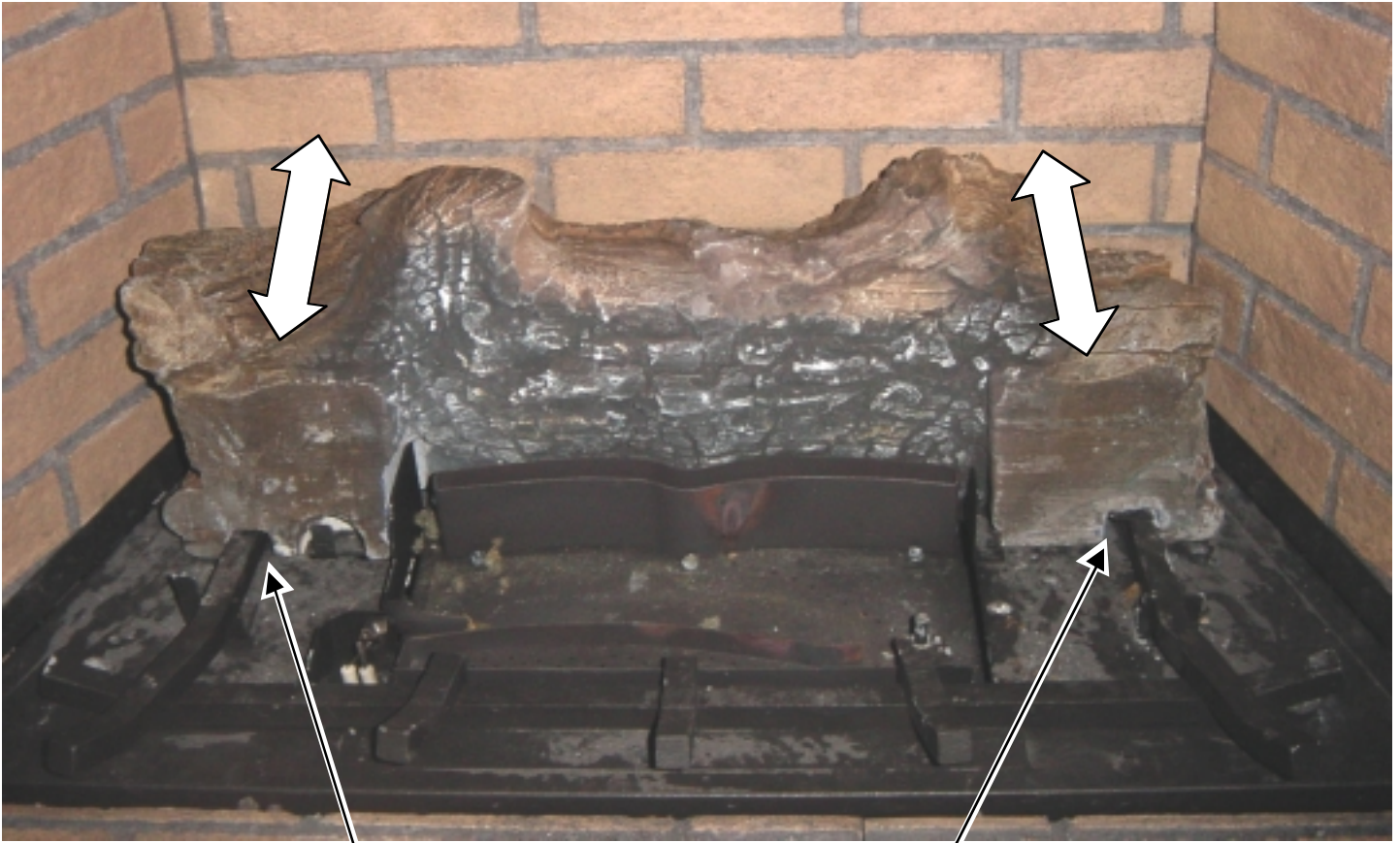
### Overview

Below is a picture detailing log placement for this fireplace. Follow the directions on the following pages to place the logs correctly.



## 44 Finalizing the Installation (for qualified installers only)

### Rear Log



The rear log has two grooves that fit over the grate. These grooves allow for proper adjustment of the rear log. After the logs are in place, and the fireplace has run for 15 minutes, you may wish to verify the log is correctly positioned. You can move the log forward to obtain more glow from the log. If sooting occurs, move the log back.

The



## Right Front Log

The right front log has a pocket on the bottom of the log.



This pin fits into the pocket.



When in place, the log rests level as shown in the picture to the right.



## 46 Finalizing the Installation (for qualified installers only)

### Left Front Log

The left front log has a groove on the bottom of the log.



This groove fits over the air deflector on the burner.



When in place, the log rests level as shown in the picture to the right. Note how the right portion of the log lines up with the right front log, creating the appearance of one log.



## Right Twig

The right twig is installed in the direction shown in the photo to the right.



You will notice a flat spot on the front right log. The right twig rests on this flat spot and on top of the rear log.



When in place, the twig should look as shown in the picture to the right.





## 48 Finalizing the Installation (for qualified installers only)

### Left Twig

The left twig is installed in the direction shown in the photo to the right.



You will notice a flat spot on the front left log. The left twig rests on this flat spot and on the grate at the front of the firebox.



When in place, the twig should look as shown in the picture to the right.





## Ember Chunks

The left ember chunk is placed on the floor fireback and burner (do not cover any burner holes).

NOTE: If using the optional andirons, you may need to reposition this ember slightly.



The center ember chunk has a notch in the center. This notch fits over the center grate as shown in the photo to the right.



The right ember chunk is placed on the floor fireback and burner (do not cover any burner holes).

NOTE: If using the optional andirons, you may need to reposition this ember slightly.



## 50 Finalizing the Installation (for qualified installers only)

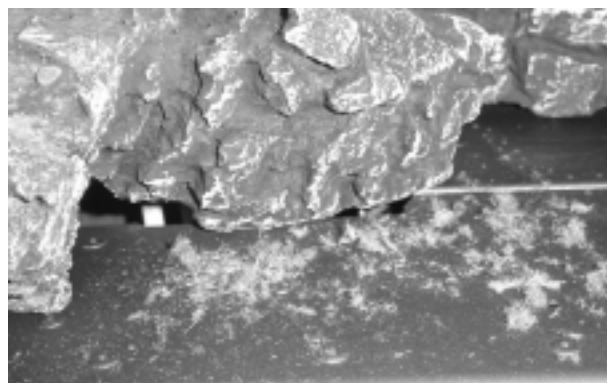
### Ember Placement

Place the embers along the firebox floor and burner to help conceal the burner. Make sure none of the embers are directly over the burner holes. See the photo below.



### Rock Wool Placement

The included rock wool is placed on top of the burner to enhance the glow from the burner. **The rock wool works best when it is applied in a very thin, porous layer.** The best method for applying the rock wool is to brush it on to the burner. Compress a clump of rockwool between your thumb and forefinger. Use a stiff brush to apply a thin layer of rockwool fibers onto the burner. Do not use the entire bag of rockwool. Use only a small amount and save the remainder. Over-use of rockwool will diminish the glow and may cause sooting or other adverse conditions.



***LP Conversion Instructions***

**Install the conversion kit prior to installing the gas line to ensure proper gas use.**

- 1 Remove the glass (see page 40). Remove the logs and coals (if installed - page 43)
- 2 Remove the ember tray and burner tray cover (see the illustration below).

Loosen the screw and remove the clip located on the firebox ceiling on the front left side.

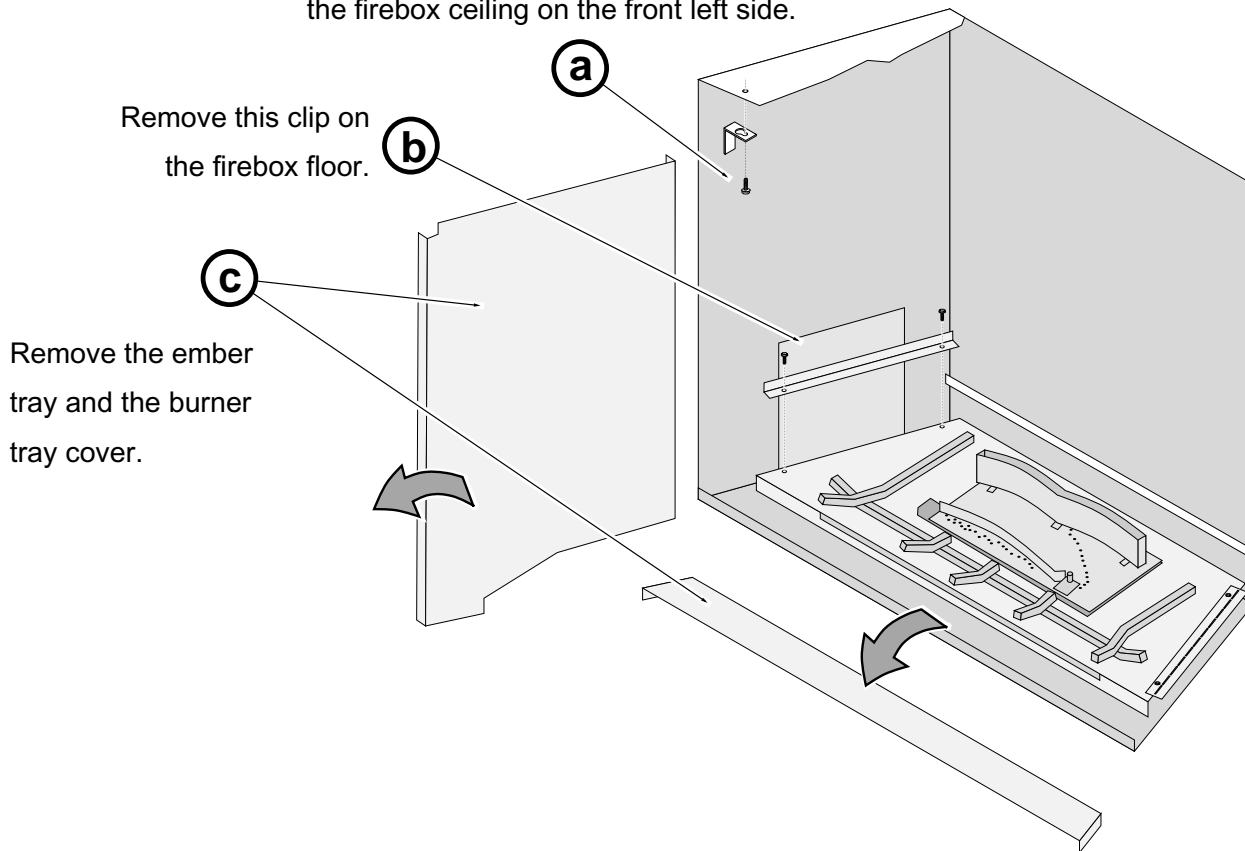


Figure 30

## 52 Finalizing the Installation (for qualified installers only)

- 3 Remove the firebox floor following the directions below.

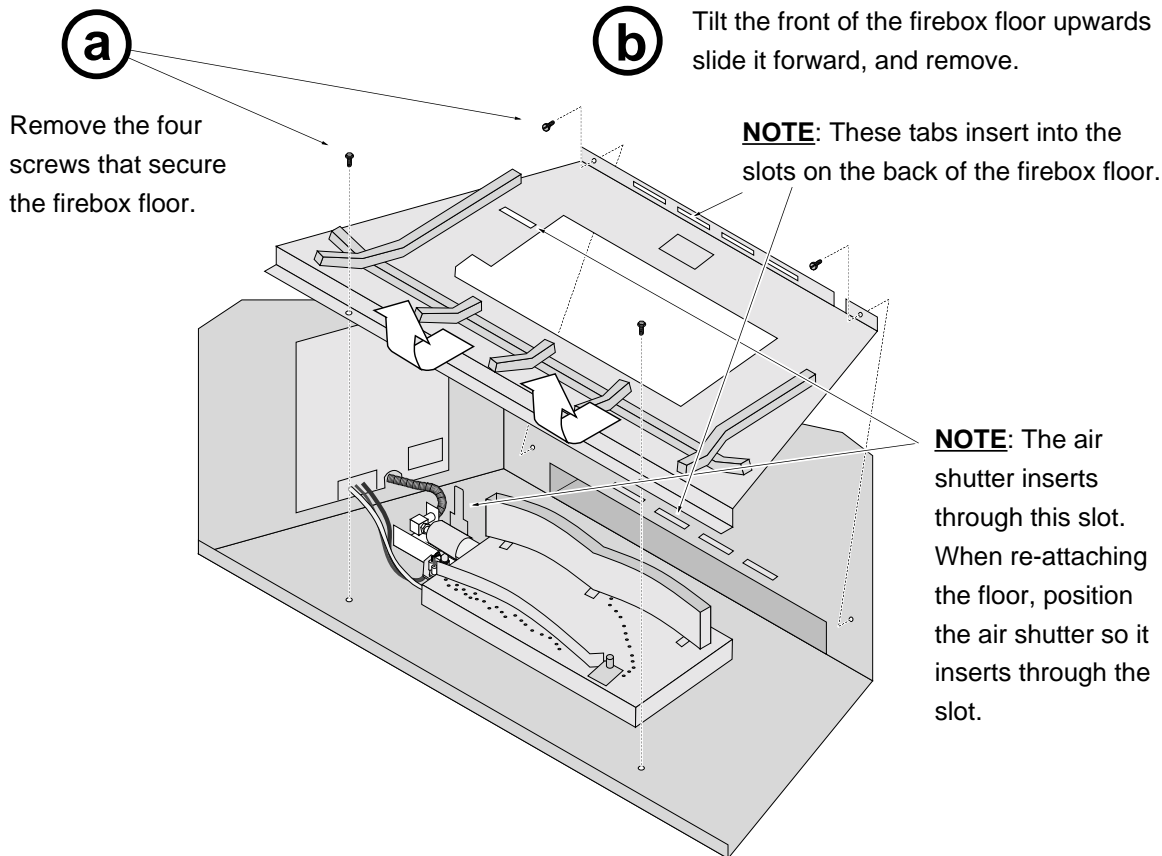


Figure 31

- 4 Remove the burner following the directions below.

Remove the four screws securing the burner to the firebox floor.

Slide the burner to the right and up to remove.

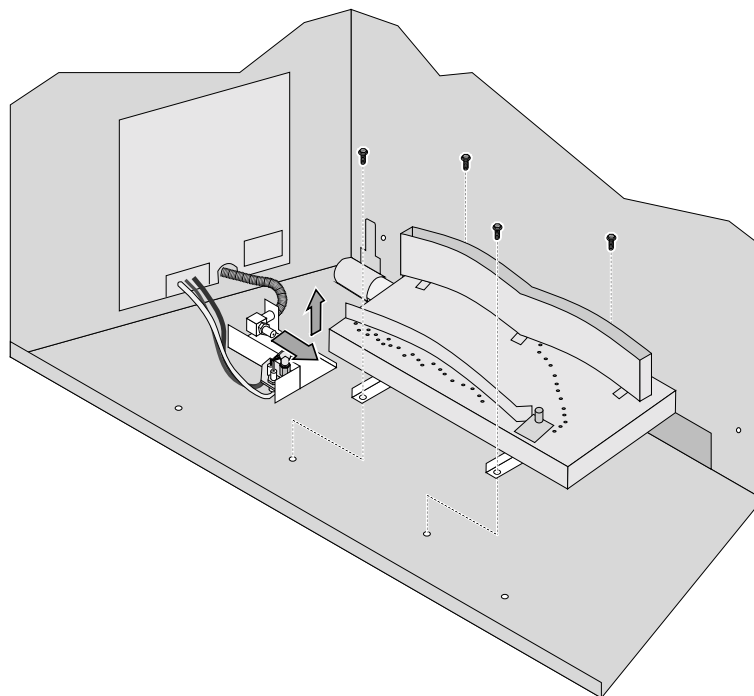
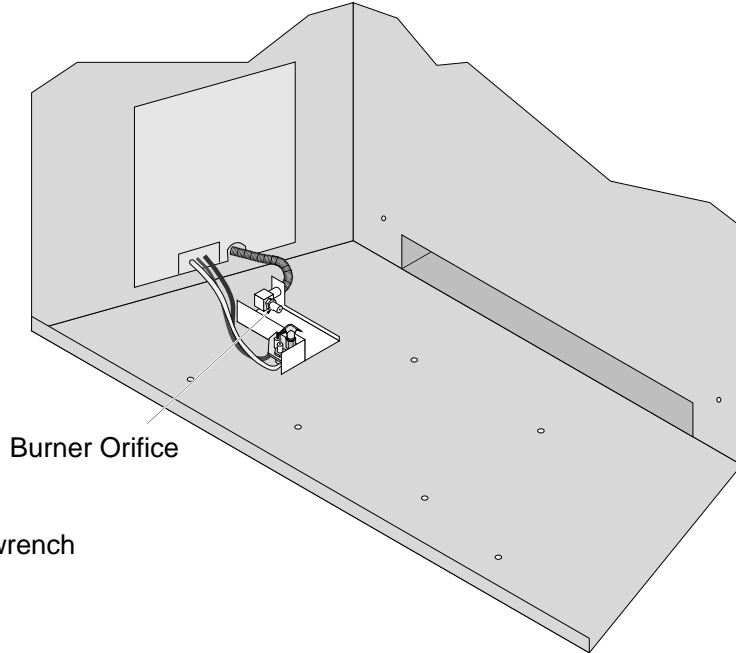


Figure 32

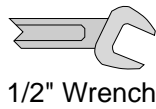


5 Follow the directions below to replace the orifice.

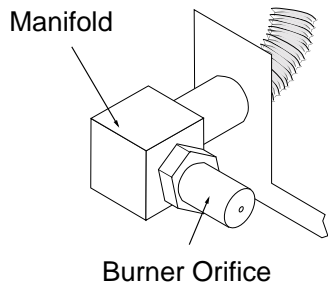


**(a)**

Use a 1/2" open end wrench to unscrew the orifice.

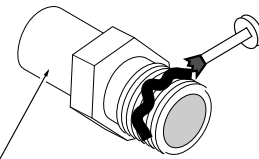


1/2" Wrench



**(b)**

Apply thread sealant to the LP orifices prior to installation. Use the chart below to identify the correct orifices.



Look here for the orifice identification

NG	LP
#33	#50

**(c)**

Screw each LP orifice in so the orifice protrudes 15/16" (indicating full insertion).

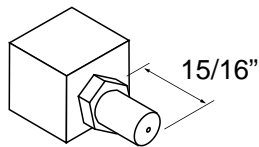
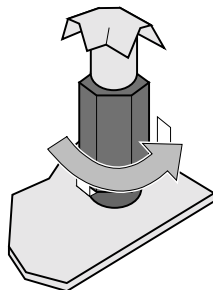


Figure 33

## 54 Finalizing the Installation (for qualified installers only)

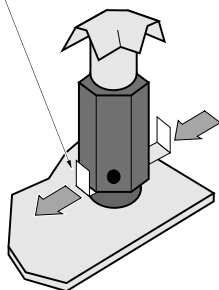
- 6 Switch the pilot hood to the “LP” size following the directions below.

Un-screw the pilot hood 1/4 turn.

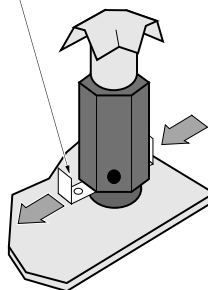


7/16" Wrench

Slide this silver tab out.



When in the LP position a hole will appear near one of the tabs.



Tighten the pilot hood until it is fully secure.

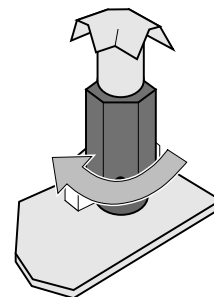
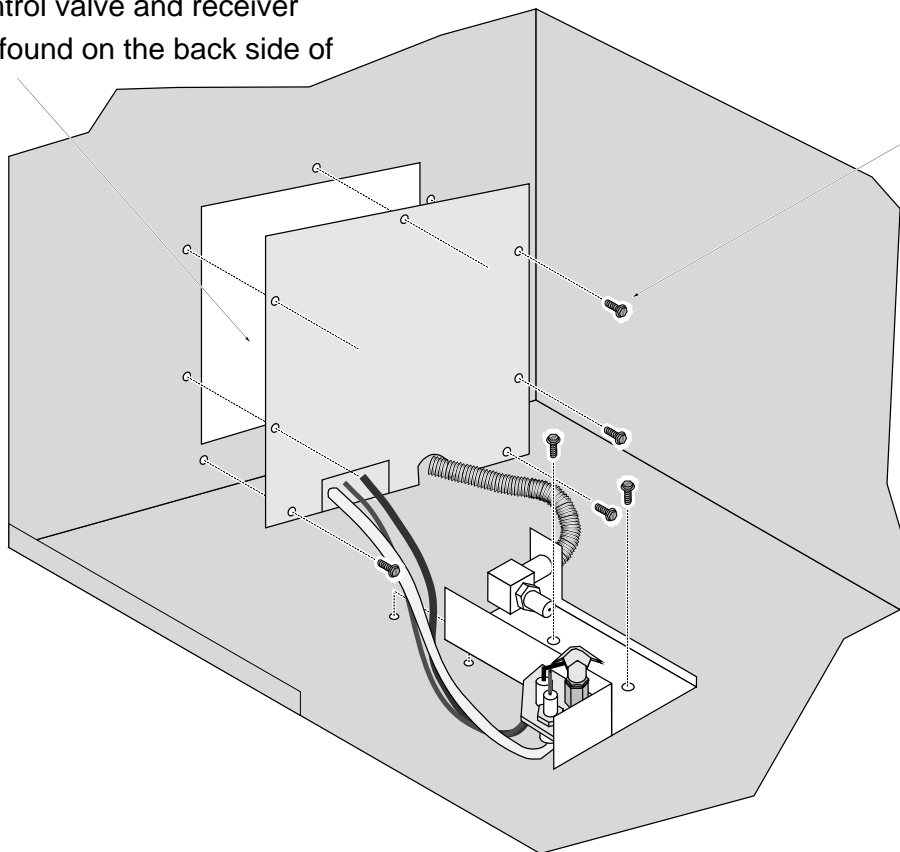


Figure 34

**NOTE:** The sliding portion of the pilot orifice may be positioned differently. Instead of pulling it towards you, you may push it away. Either way – when the hole appears near the tab, the orifice is in the LP position.

- 7 Disconnect the burner tray and place it on the firebox floor (see Figure 35).

The gas control valve and receiver module are found on the back side of this plate.



The burner tray is held in place with 9 screws (7 on the firebox wall, 2 on the pilot assembly). Remove the burner tray and place it on the firebox floor.

Figure 35

- The gas control valve has a propane conversion shaft that alters the outlet pressure. Remove the rubber cap over the propane conversion shaft and twist the small knob so the line points to "LP" (see Figure 36).

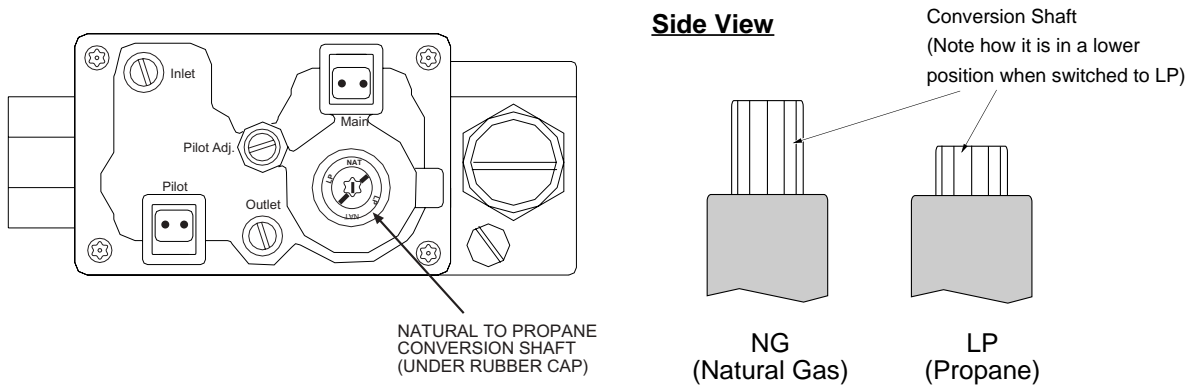


Figure 36

- Remove the NG rate screw and replace it with the LP rate screw included in the owner's pack (see Figure 37). Take care to not damage the rubber o-ring on the rate screw when installing.

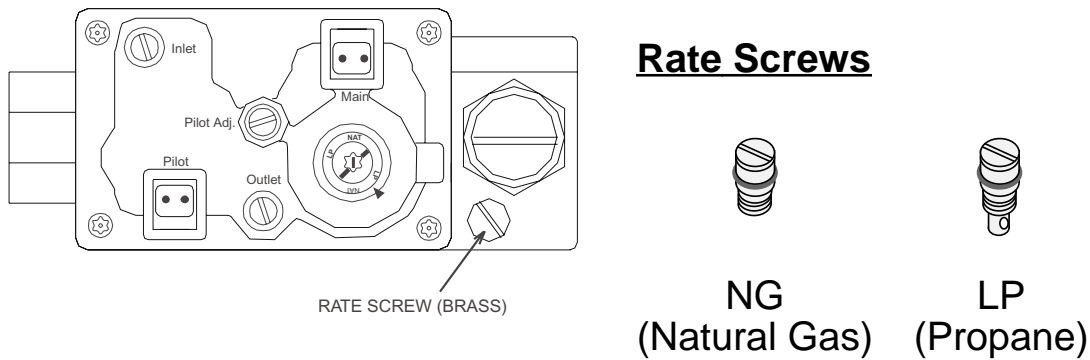


Figure 37

- Replace the burner tray, burner assembly, and grate. Install the logs and embers and replace the glass.
- Make the gas line connection, bleed the gas line (if applicable), start the heater and thoroughly leak-test all gas connections and the gas control valve (see Gas Line Requirements on page 16 for details). Check the pilot and adjust if necessary.

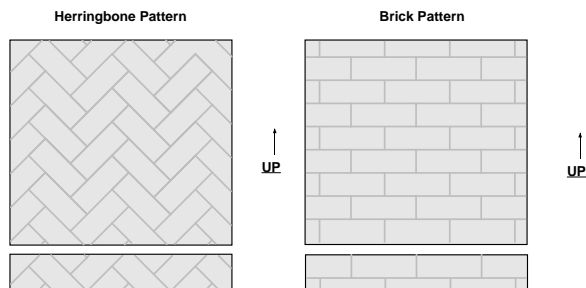
## 56 Finalizing the Installation (for qualified installers only)

### Fireback Installation (Rectangular 96100172)

**WARNING** Turn off gas to the appliance and make sure it has fully cooled prior to conducting service.

**WARNING** The firebacks are fragile (especially after being burned) – handle with care.

**NOTE** The firebacks are 2-sided. When installing, use the desired pattern. Also make sure the rear brick is correctly positioned.



- 1 Remove the glass frame, logs, and grate.
- 2 Remove and discard the ember tray and burner tray cover..

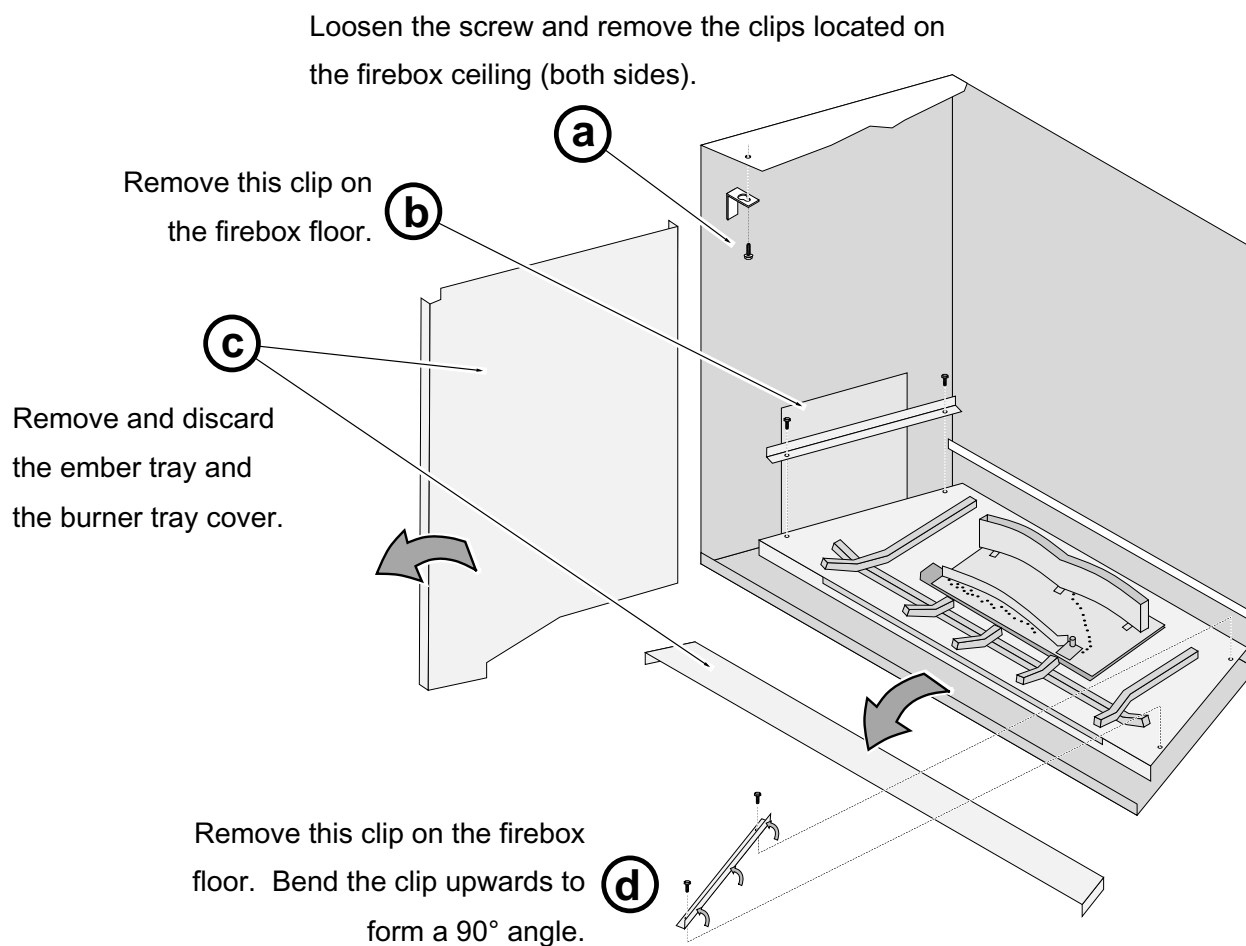
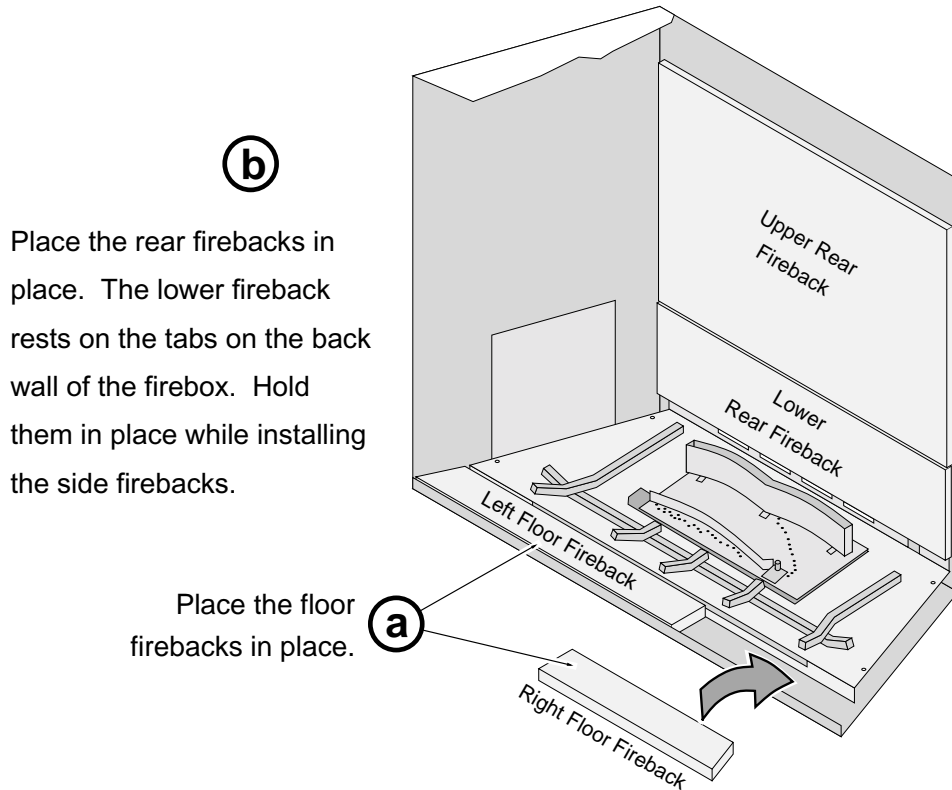


Figure 38



**3 Install the firebacks following the directions below.**



**(b)**

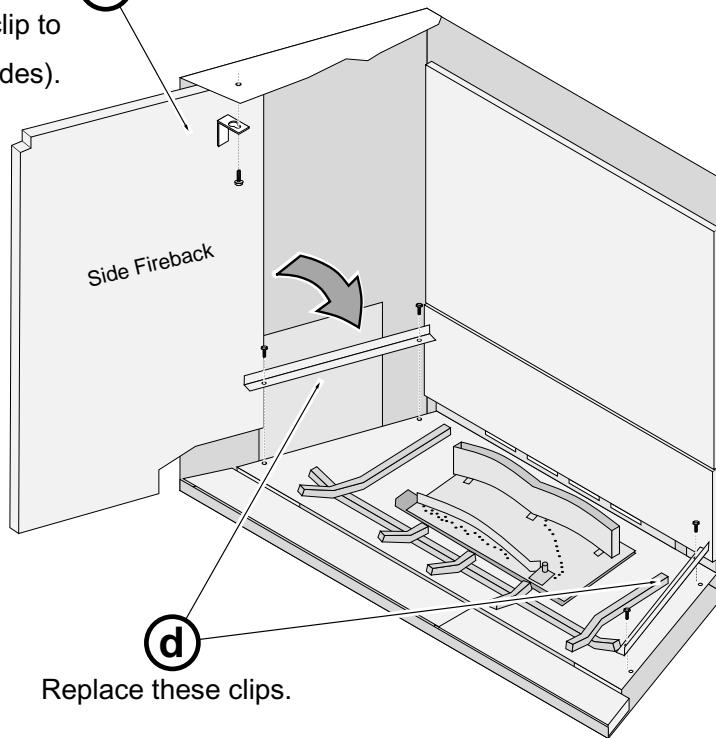
Place the rear firebacks in place. The lower fireback rests on the tabs on the back wall of the firebox. Hold them in place while installing the side firebacks.

Place the floor firebacks in place.

**(a)**

Slide the side firebacks into place and replace the clip to secure (both sides).

**(c)**



**(d)**

Replace these clips.

Figure 39

**4 Restore the fireplace to the correct configuration.**

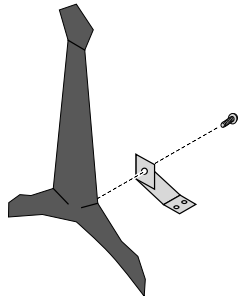
## 58 Finalizing the Installation (for qualified installers only)

### Andiron Installation

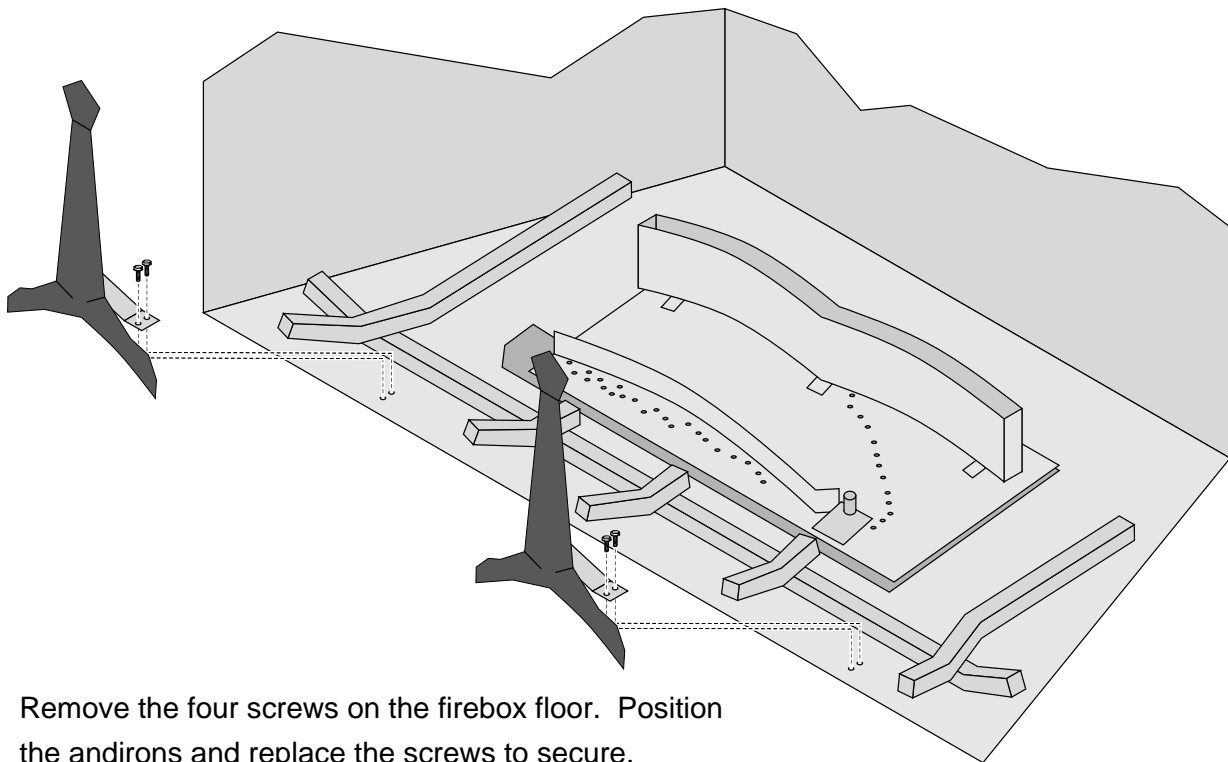
Two clips are included with this fireplace for installation of the optional andirons. Follow the directions below for installation.



Install the andirons last, after the firebacks (if used), and logs are in place.



Use the two screws (included with the andirons) to secure the andiron brackets (included with the fireplace) to the andirons.



Remove the four screws on the firebox floor. Position the andirons and replace the screws to secure.

### ***Power Heat Duct Installation***

---

The optional power heat duct may be used with this fireplace. Refer to the part numbers below if you wish to install this accessory. Instructions are included with the accessories.

- Power Heat Duct 98500769
- 1080 CF Power Heat Duct Wiring Kit 94400995

**NOTE:** This wiring kit includes the wiring necessary for hooking up the electrical circuit to a thermodisk inside the fireplace.

**NOTE:** The power heat duct must be attached at the time of fireplace installation.

## Index

Additional Items Required.....	7	Horizontal Termination (3 90° Elbows).....	30
Air Shutter Adjustment.....	41	Installation Options.....	6
Altitude Considerations.....	26	Installation Overview.....	7
Approved Vent.....	26	Listing Details.....	2
Battery Installation.....	22	LP Conversion Instructions.....	51
Battery Pack – Wireless Wall Switch Installation.....	19	Mantel Requirements.....	39
Clearances.....	12	Minimum Framing Dimensions.....	13
Dimensions.....	6	Nailing Brackets.....	15
Non-Combustible Facing.....	37	Overview.....	2
Facing Requirements.....	36	Packing List.....	7
Fireback Installation.....	56	Power Heat Duct Installation.....	59
Fireplace Placement Requirements.....	12	Preparing the Fireplace Stand-offs.....	10
Framing Dimensions - Corner Installations.....	14	Raised Fireplaces.....	12
Gas Inlet Pressure.....	16	Recommended Installation Procedure.....	8
Gas Line Connection.....	16	Remote Synchronization.....	23
Gas Line Requirements.....	16	Safety Precautions.....	4
Glass Frame Removal and Installation.....	42	Specifications.....	6
Hearth Requirements – Recessed Hearth.....	35	Termination Requirements.....	33
Hearth Requirements.....	34	Vent Clearances.....	27
Horizontal Termination (1 90° Elbow).....	29	Vent Installation.....	27
		Vent Requirements.....	26
		Vertical Termination (0, 2, or 4 45° Elbows).....	31
		Vertical Termination (2 90° Elbows).....	32