

# 564 HO GS Fireplace

Tested and Listed by



Intertek  
ANSI Z21.88

- Built-In Direct Vent Fireplace
- Natural Gas or Propane
- Residential or Mobile Home

**WARNING:** If the information in these instructions is not followed exactly, a fire or explosion may result causing property damage, personal injury or loss of life.

- Do not store or use gasoline or other flammable vapors and liquids in the vicinity of this or any other appliance.

#### WHAT TO DO IF YOU SMELL GAS

- Do not try to light any appliance.
- Do not touch any electrical switch; do not use any phone in your building.
- Immediately call gas supplier from a neighbor's phone. Follow the gas supplier's instructions.
- If you cannot reach your gas supplier, call the fire department.
- Installation and service must be performed by a qualified installer, service agency or the gas supplier.

This appliance may be installed in an aftermarket permanently located, manufactured home (USA only) or mobile home, where not prohibited by local codes.

***This appliance is only for use with the type(s) of gas indicated on the rating plate. A conversion kit is supplied with the appliance.***

## WARNING



**HOT GLASS WILL  
CAUSE BURNS.  
DO NOT TOUCH GLASS  
UNTIL COOLED.  
NEVER ALLOW CHILDREN  
TO TOUCH GLASS.**

## Installation Manual

**Installer:** After installation give this manual to the homeowner and explain operation of this heater.

© Copyright 2011, T.I.

\$10.00

100-01263\_000

4110505

4800 Harbour Pointe Blvd. SW  
Mukilteo, WA 98275



**TRAVIS INDUSTRIES  
HOUSE OF FIRE**

www.travisproducts.com

**Overview**

This manual details the installation requirements for the 564 HO GS fireplace. For operating and maintenance instructions, refer to the 564 HO GS Owner's Manual (part # 100-01264).

**Listing Details**

This appliance was listed by Intertek Test Labs to ANSI Z21.88. The listing label is attached to the appliance near the gas control valve. A copy is shown to the right.

**Massachusetts Approval**

This manual has been submitted to the Massachusetts Board of State Examiners of Plumbers and Gas Fitters.

**National Fireplace Institute**



We suggest that our gas hearth products be installed and serviced by professionals who are certified in the U.S. by the National Fireplace Institute® (NFI) as NFI Gas Specialists.

[www.nficertified.org](http://www.nficertified.org)

MINIMUM CLEARANCES TO COMBUSTIBLES		L.P.	N.G.
Fireplace to Adjacent Wall	12" (305 mm)	35,000	35,000
Wood Floor Beneath Fireplace Back to Enclosure	0" (0 mm)	7,500	10,400
Base of Fireplace to Enclosure Top Sides to Enclosure	56" (1423 mm)		
Base of Fireplace to a 12" Mantel* (*See manual for other mantel depths)	0.5" (13 mm) 48.75" (1239 mm)		
Input Rate on "HI" (BTU/Hr)		11"	5.5"
Input Rate on "LO" (BTU/Hr)		13"	7"
		10"	3.5"
			N.G.

For natural gas when equipped with the following drill size orifice: DMS 50 Front - DMS 44 Back  
 For propane when equipped with the following drill size orifice: 1.10mm Front - DMS 55 Back  
 This appliance is equipped for use only at altitudes 0-2000 feet (0-610m) in the USA. In Canada, 0-4500 feet (0-1370m).  
 For altitudes above 2000 feet, the vent configuration, orifice, or combination of both may need to be changed.  
 See the owner's manual for information on making these changes.  
 Electrical Rating: 115V, 60 Hz, 1.5 Amps

**TRAVIS INDUSTRIES**  
**HOUSE OF FIRE**  
 4800 Harbour Pointe Blvd. SW  
 Mukilteo, WA 98275  
[www.travisproducts.com](http://www.travisproducts.com)

Manufacture  2011  Jan.  Apr.  Jul.  Oct.  
 Date:  2012  Feb.  May  Aug.  Nov.  
 2013  Mar.  Jun.  Sep.  Dec.



**564 HO GS**  
 Vented Gas Fireplace Heater  
 Certified for USA and Canada

  
 Intertek  
 Report No. E10307488PRT-001  
 Control No. 4000515

Tested to: ANSI Z21.88-2009/CSA 2.23-2009 "Vented Gas Fireplace Heaters", CGA 2.17-M91, UL 307b-2006 "Gas Burning Heating Appliances for Manufactured Homes", and CSA P.4.1-09.  
 This appliance must be installed in accordance with local codes, if any; if none, follow the National Fuel Gas Code, ANSI Z223.1/NFPA 54, or Natural Gas and Propane Installation Codes, CSA B145.1.  
 This appliance must be installed in accordance with the current Standard CAN/CSA Z240 MH, Mobile Housing, in Canada or with the Manufactured Home Construction and Safety Standard, Title 24 CFR, Part 3280, in the United States, or when such a standard is not applicable, ANSI/INCSCS A225 (NFPA 501A), Manufactured Home Installation Standard.  
 This vented gas fireplace heater is equipped at the factory for use with natural gas. If conversion to propane (LP) is desired, the optional factory conversion kit must be used.  
 This appliance is only for use with the type of gas indicated on the rating plate and may be installed in an aftermarket, permanently located, manufactured home (USA only) where not prohibited by local codes. See owner's manual for details. This appliance is not convertible for use with other gases, unless a certified kit is used.  
 This vented gas fireplace heater is not for use with air filters.  
 Keep burner and control compartment clean. See installation and operating instructions accompanying appliance.  
 This appliance must be properly connected to a venting system in accordance with the manufacturer's installation instructions. Use only approved coaxial direct vent system to vent this appliance to the exterior. See owner's manual for approved brands of venting.  
**WARNING:** Improper installation, adjustment, alteration, service or maintenance can cause injury or property damage. Refer to the owner's information manual provided with this appliance. For assistance or additional information consult a qualified installer, service agency or the gas supplier.

**VENTED GAS FIREPLACE HEATER - NOT FOR USE WITH SOLID FUEL**  
**CAUTION:** Hot while in operation. Do Not Touch. Severe burns may result. Keep children, clothing, furniture, gasoline and other liquids having flammable vapors away. Do not operate this appliance with glass removed, cracked or broken. Replacement of the panel(s) should be done by a licensed or qualified service person.

<b>Overview .....</b>	<b>2</b>	Restrictor Position .....	20
<b>Listing Details.....</b>	<b>2</b>	Exhaust Restrictor Adjustment.....	20
<b>Installation Options.....</b>	<b>6</b>	Intake Restrictor Adjustment.....	21
<b>Heating Specifications.....</b>	<b>6</b>	Diffuser Plate Adjustment.....	22
<b>Dimensions.....</b>	<b>6</b>	<b>Vent Configurations with Horizontal Termination (EmberFyre Burner only).....</b>	<b>23</b>
<b>Packing List.....</b>	<b>7</b>	<b>Vent Configurations with Vertical Termination (EmberFyre Burner only).....</b>	<b>24</b>
<b>Additional Items Required.....</b>	<b>7</b>	<b>Vent Configurations with Horizontal Termination (Dancing/DiamondFyre).....</b>	<b>25</b>
<b>Installation Overview .....</b>	<b>7</b>	<b>Vent Configurations with Vertical Termination (Dancing/DiamondFyre).....</b>	<b>26</b>
<b>Recommended Installation Procedure .....</b>	<b>8</b>	<b>Hearth Requirements .....</b>	<b>28</b>
<b>Massachusetts Requirements .....</b>	<b>9</b>	<b>Facing Requirements .....</b>	<b>29</b>
Requirements for the Commonwealth of Massachusetts.....	9	Drywall Installation .....	29
<b>MANUFACTURER REQUIREMENTS .....</b>	<b>9</b>	Facing Overview.....	30
<b>Fireplace Placement Requirements .....</b>	<b>10</b>	Optional Faceplates – Sizing Chart.....	30
Clearances .....	10	Thin Facing Installation (tile, marble, or other non-combustible under 1" (25mm) thick) .....	31
Raised Fireplaces.....	10	Thin Facing Installation (tile, marble, under 1" (25mm) thick) — Side View.....	32
Minimum Framing Dimensions.....	11	Thick Facing Installation (stone, brick, or other non-combustible over 1" (25mm) thick) .....	33
Nailing Brackets.....	12	Thick Facing with Fireplace Xtordinair (FPX) Arched Faces .....	34
Corner Installations.....	13	Thick Facing Installation — Side View.....	35
<b>Gas Line Requirements .....</b>	<b>14</b>	<b>Mantel Requirements .....</b>	<b>36</b>
Fuel.....	14	Combustible Mantels.....	36
Gas Line Connection .....	14	<b>Steps for Finalizing the Installation .....</b>	<b>36</b>
Gas Inlet Pressure.....	14	Air Shutter Adjustment .....	38
Gas Line Location.....	15	<b>Glass Frame Removal and Installation.....</b>	<b>39</b>
<b>Electrical Connection (required) .....</b>	<b>16</b>	<b>Glass Frame Removal and Installation (continued) .....</b>	<b>40</b>
<b>Optional Wall Switch or Thermostat Installation .....</b>	<b>17</b>	<b>LP Conversion Instructions.....</b>	<b>41</b>
<b>Parallel Connection   Series Connection</b>	<b>17</b>	<b>Installation .....</b>	<b>41</b>
<b>Vent Requirements .....</b>	<b>18</b>	Index.....	58
Vent Clearances .....	18		
Altitude Considerations.....	18		
Approved Vent.....	19		
Vent Installation .....	19		
<b>Approved Vent Configurations .....</b>	<b>20</b>		

## ***Safety Warnings:***

---

- Failure to follow all of the requirements may result in property damage, bodily injury, or even death.
- This unit must be installed by a qualified installer to prevent the possibility of an explosion.
- This appliance must be installed in accordance with all local codes, if any; if not, in U.S.A. follow ANSI Z223.1 and NFPA 54(88), in Canada follow CSA B149.1.
- A manufactured home (USA only) or mobile home OEM installation must conform with the Manufactured Home Construction and Safety Standard, Title 24 CFR, Part 3280, or, when such a standard is not applicable, the Standard for Manufactured Home Installations, ANSI/NCSCBS A225.1, or Standard for Gas Equipped Recreational Vehicles and Mobile Housing, CSA Z240.4. This appliance may be installed in Manufactured Housing only after the home is site located.
- All exhaust gases must be vented outside the structure of the living-area. Combustion air is drawn from outside the living-area structure. The venting must not be connected to a chimney flue serving a separate solid-fuel burning appliance.
- Notify your insurance company before hooking up this fireplace.
- The room heater should be inspected before use and at least annually by a qualified service person. More frequent cleaning may be required due to excessive lint from carpeting, bedding material, etc.
- The instructions in this manual must be strictly adhered to. Do not use makeshift methods or compromise in the installation. Improper installation will void the warranty and safety listing.
- This heater is approved for use with natural gas (NG) or propane (LP). Burning the incorrect fuel will void the warranty and safety listing and may cause an extreme safety hazard. Direct questions about the type of fuel used to your dealer.
- Contact your local building officials to obtain a permit and information on any installation restrictions or inspection requirements in your area.
- If the flame becomes sooty, dark orange in color, or extremely tall, do not operate the heater. Call your dealer and arrange for proper servicing.
- It is imperative that control compartments, screens, or circulating air passageways of the heater be kept clean and free of obstructions. These areas provide the air necessary for safe operation.
- Do not operate the heater if it is not operating properly in any fashion or if you are uncertain. Call your dealer for a full explanation of your heater and what to expect.
- Do not store or use gasoline or other flammable liquids in the vicinity of this heater.
- Do not operate if any portion of the heater was submerged in water or if any corrosion occurs. Immediately call a qualified service technician to inspect the appliance and to replace any part of the control system and any gas control which has been under water.
- Do not place clothing or other flammable items on or near the heater. Because this heater can be controlled by a thermostat there is a possibility of the heater turning on and igniting any items placed on or near it.
- Light the heater using the built-in igniter. Do not use matches or any other external device to light your heater.
- Never remove, replace, modify or substitute any part of the heater unless instructions are given in this manual. All other work must be done by a trained technician. Don't modify or replace orifices.
- The viewing glass should be opened only for conducting service.
- Any safety screen or guard removed for servicing must be replaced prior to operating the heater.

***Safety Warnings (continued):***

---

- Allow the heater to cool before carrying out any maintenance or cleaning.
- Operate the heater according to the instructions included in this manual.
- If the main burners do not start correctly turn the gas off and call your dealer for service.
- This unit is not for use with solid fuel.
- Do not place anything inside the firebox (except the optional artwork).
- **Warning:** Do not operate appliance with the glass front removed, cracked or broken. Replacement of the glass should be done by a licensed or qualified service person.
- Do not throw this manual away. This manual has important operating and maintenance instructions that you will need at a later time. Always follow the instructions in this manual.
- Young children should be carefully supervised when they are in the same room as the appliance. Toddlers, young children and others may be susceptible to accidental contact burns. A physical barrier is recommended if there are at risk individuals in the house. To restrict access to a fireplace or stove, install an adjustable safety gate to keep toddlers, young children and other at risk individuals out of the room and away from hot surfaces.
- Children and adults should be alerted to the hazards of high surface temperature and should stay away to avoid burns or clothing ignition. Do not touch the hot surfaces of the heater. Educate all children of the danger of a high-temperature heater.
- Due to the high temperature, the heater should be located out of traffic and away from furniture and draperies.
- Instruct everyone in the house how to shut gas off to the appliance and at the gas main shutoff valve. The gas main shutoff valve is usually next to the gas meter or propane tank and requires a wrench to shut off.
- **Travis Industries, Inc. grants no warranty, implied or stated, for the installation or maintenance of your heater, and assumes no responsibility of any consequential damage(s).**

## Installation Options

- Residential or Mobile Home
- Straight or Corner Placement
- Flush or Recessed Face
- Raised or Floor Placement
- Internal or External Chase
- Bedroom Approved

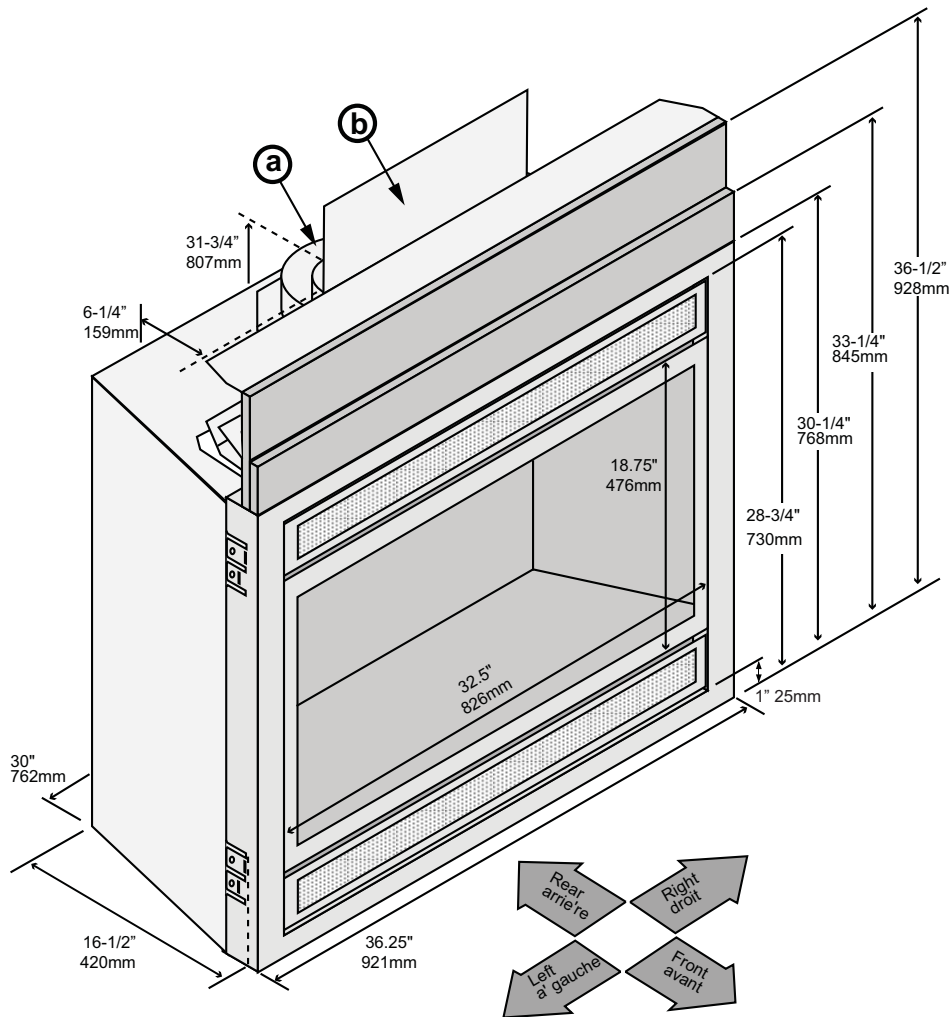
## Heating Specifications

	Natural Gas	Propane
Approximate Heating Capacity (in square feet)*	Up to 1,700	Up to 1,700
Maximum BTU Input Per Hour	35,000	35,000

\* Heating capacity will vary with floor plan, insulation, and outside temperature.

\*\* Efficiency rating is a product thermal efficiency rating determined under continuous operation independent of installed system.

## Dimensions



(a) Center Location of Vent

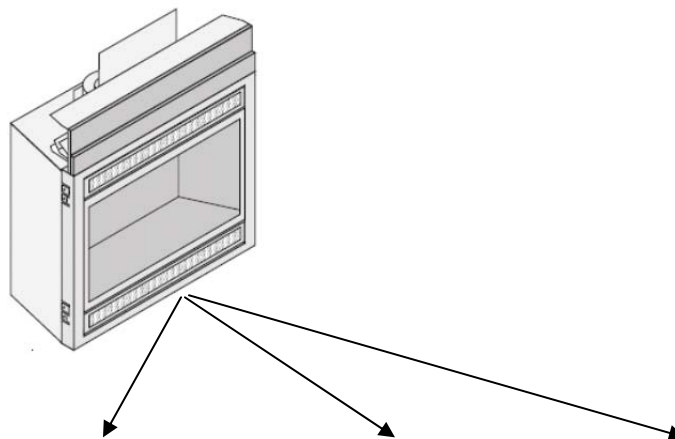
(b) Heat Shield (must be bent vertically after fireplace is in location)

## Packing List

- Propane Conversion Kit
- 564 HO Thimble (250-02318)

## Additional Items Required Direct Vent

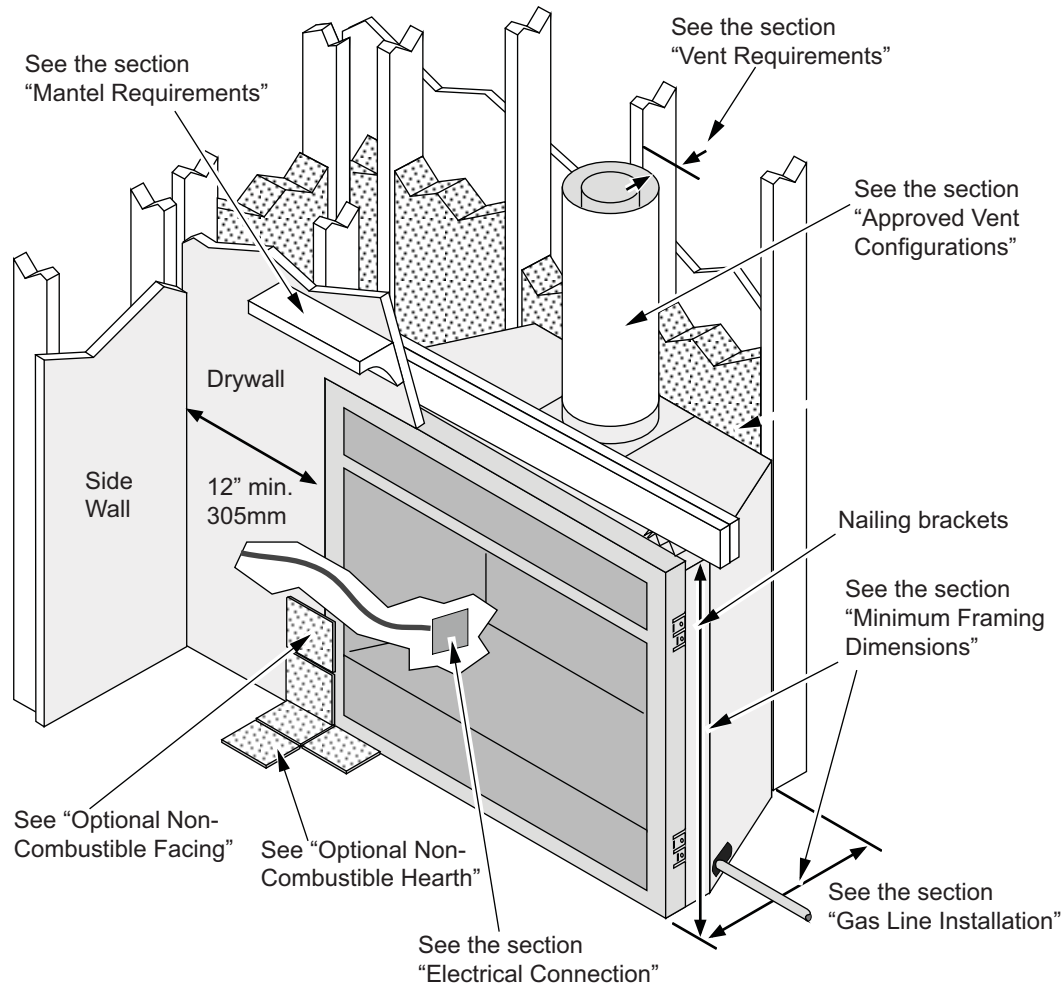
- Gas Line Equipment
- Electrical Equipment
- **This Fireplace Requires a Burner Kit, Firebacks, Logs/Media, and Face/Grill**  
This fireplace is shipped without a burner. This allows the fireplace to be configured in one of three unique designs. See the table below to verify you have all of the items required.



<b><u>Burner Style</u></b>	<b><u>EmberFyre™ Burner</u></b> 96900116	<b><u>DiamondFyre™ Burner</u></b> 96900115	<b><u>DancingFyre™ Burner</u></b> 96900114
<b><u>Firebacks</u></b>	Requires 564 Ceramic Firebacks: 96100179 96100181 96100182 96100183 96100270 96100271	Requires one of the following: Stainless 96100249 Enamel Black 96100250 Painted Black 96100251	Included w Burner (Black Painted) NOTE: You may use ceramic or 564 HO DiamondFyre firebacks, but they are only installed on the firebox walls (floor firebacks are discarded).
<b><u>Logs/Media</u></b>	Included w Burner	Use 564 HO (31 DVI) Media Driftwood (94500548) Other Media To Follow	Included w Burner
<b><u>Face/Grill</u></b>	Use any 564 Face or Grill	Use any 564 Face or Grill	Use any 564 Face or Grill

## Installation Overview

- All requirements below must be met.



## Recommended Installation Procedure

- Frame the opening for the fireplace. Make sure to allow for vent installation.
- This fireplace is designed to accommodate 1/2" (13mm) or 5/8" (16mm) drywall (see "Nailing Brackets" on page 12 for details). Secure the fireplace to the framing.
- Install the vent, gas line and electrical hook-up.
- Install the drywall.
- Install the hearth (if applicable).
- Install the facing (if applicable).
- Install the mantel (if applicable).
- Finalize the installation (see page 36) and install the grill or face.



## Massachusetts Requirements

NOTE: The following requirements reference various Massachusetts and national codes not contained in this document.

### Requirements for the Commonwealth of Massachusetts

For all side wall horizontally vented gas fueled equipment installed in every dwelling, building or structure used in whole or in part for residential purposes, including those owned or operated by the Commonwealth and where the side wall exhaust vent termination is less than seven (7) feet above finished grade in the area of the venting, including but not limited to decks and porches, the following requirements shall be satisfied:

#### Installation of Carbon Monoxide Detectors

At the time of installation of the side wall horizontal vented gas fueled equipment, the installing plumber or gasfitter shall observe that a hard wired carbon monoxide detector with an alarm and battery back-up is installed on the floor level where the gas equipment is to be installed. In addition, the installing plumber or gasfitter shall observe that a battery operated or hard wired carbon monoxide detector with an alarm is installed on each additional level of the dwelling, building or structure served by the side wall horizontal vented gas fueled equipment. It shall be the responsibility of the property owner to secure the services of qualified licensed professionals for the installation of hard wired carbon monoxide detectors.

In the event that the side wall horizontally vented gas fueled equipment is installed in a crawl space or an attic, the hard wired carbon monoxide detector with alarm and battery back-up may be installed on the next adjacent floor level.

In the event that the requirements of this subdivision cannot be met at the time of completion of installation, the owner shall have a period of thirty (30) days to comply with the above requirements; provided, however, that during said thirty (30) day period, a battery operated carbon monoxide detector with an alarm shall be installed.

#### Approved Carbon Monoxide Detectors

Each carbon monoxide detector as required in accordance with the above provisions shall comply with NFPA 720 and be ANSI/UL 2034 listed and IAS certified.

#### Signage

A metal or plastic identification plate shall be permanently mounted to the exterior of the building at a minimum height of eight (8) feet above grade directly in line with the exhaust vent terminal for the horizontally vented gas fueled heating appliance or equipment. The sign shall read, in print size no less than one-half (1/2) inch in size, "GAS VENT DIRECTLY BELOW. KEEP CLEAR OF ALL OBSTRUCTIONS".

#### Inspection

The state or local gas inspector of the side wall horizontally vented gas fueled equipment shall not approve the installation unless, upon inspection, the inspector observes carbon monoxide detectors and signage installed in accordance with the provisions of 248 CMR 5.08(2)(a)1 through 4.

#### Exemptions

The following equipment is exempt from 248 CMR 5.08(2) (a) 1 through 4:

- The equipment listed in Chapter 10 entitled "Equipment Not Required To Be Vented" in the most current edition of NFPA 54 as adopted by the Board; and
- Product Approved side wall horizontally vented gas fueled equipment installed in a room or structure separate from the dwelling, building or structure used in whole or in part for residential purposes.

## MANUFACTURER REQUIREMENTS

#### Gas Equipment Venting System Provided

When the manufacturer of Product Approved side wall horizontally vented gas equipment provides a venting system design or venting system components with the equipment, the instructions provided by the manufacturer for installation of the equipment and the venting system shall include:

- Detailed instructions for the installation of the venting system design or the venting system components; and
- A complete parts list for the venting system design or venting system.

#### Gas Equipment Venting System NOT Provided

When the manufacturer of a Product Approved side wall horizontally vented gas fueled equipment does not provide the parts for venting the flue gases, but identifies "special venting systems", the following requirements shall be satisfied by the manufacturer:

- The referenced "special venting system" instructions shall be included with the appliance or equipment installation instructions; and
- The "special venting systems" shall be Product Approved by the Board, and the instructions for that system shall include a parts list and detailed installation instructions.

A copy of all installation instructions for all Product Approved side wall horizontally vented gas fueled equipment, all venting instructions, all parts lists for venting instructions, and/or all venting design instructions shall remain with the appliance or equipment at the completion of the installation.

See Gas Connection section for additional Commonwealth of Massachusetts requirements.

***Fireplace Placement Requirements***

---

- The fireplace requires a 1/2" (13mm) clearance from the angled sides of the fireplace to the framing members. No material (insulation, framing, etc.) may be placed into this area.
- Fireplace must be installed on a level surface capable of supporting the fireplace and vent
- Fireplace must be placed directly on wood or non-combustible surface (not on linoleum or carpet)
- This heater may be placed in a bedroom. Please be aware of the large amount of heat this appliance produces when determining a location.

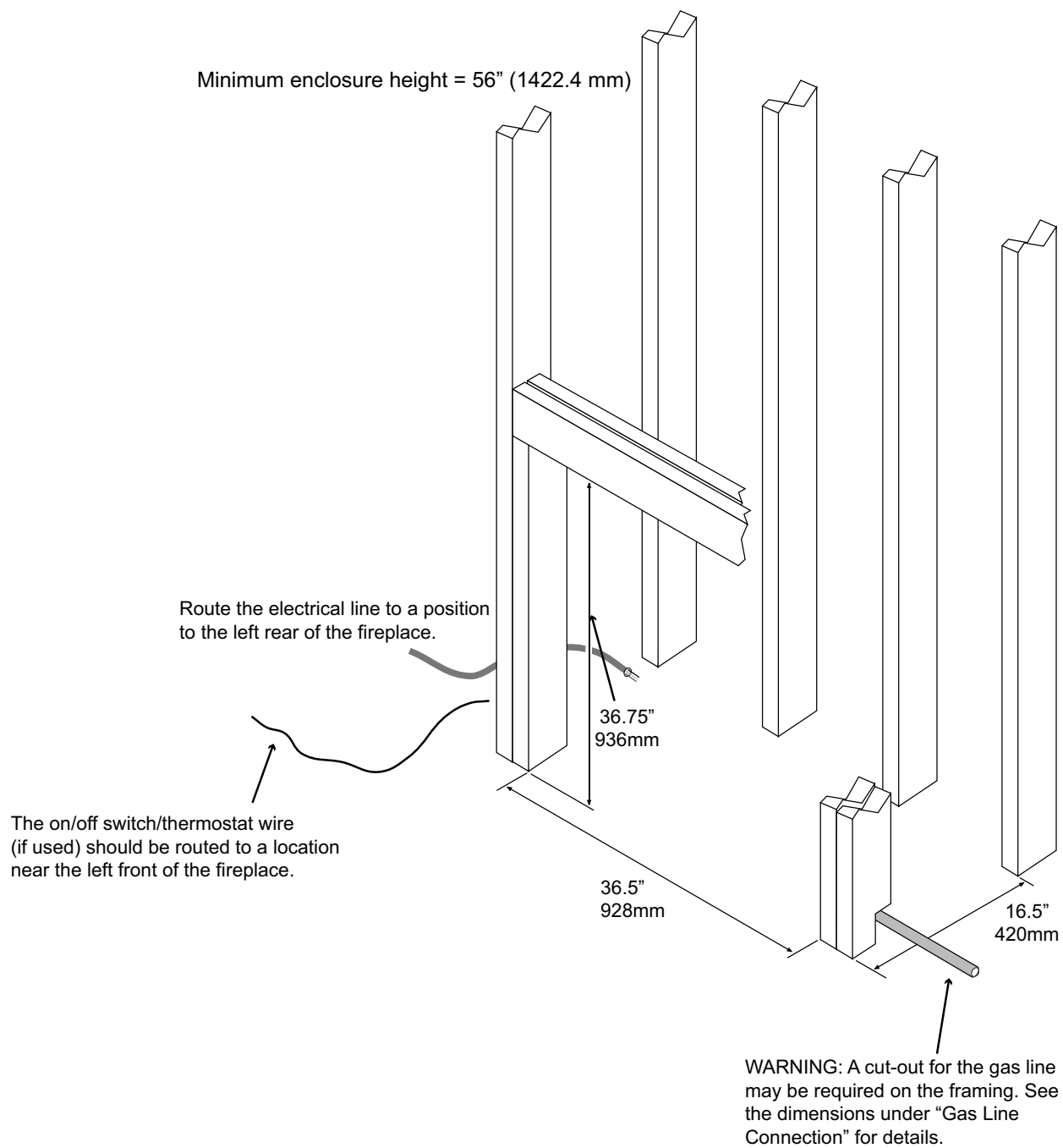
**Clearances**

- When installed, walls in front of the fireplace must be a minimum 12" (305mm) to the side of the fireplace.
- Due to the high temperature, the heater should be located out of traffic and away from furniture and draperies.
- Fireplace must be placed so the vents below and above the glass do not become blocked.

**Raised Fireplaces**

- The fireplace (and hearth, if desired) may be placed on a platform designed to support the fireplace (155 lbs., 70Kg) and vent.

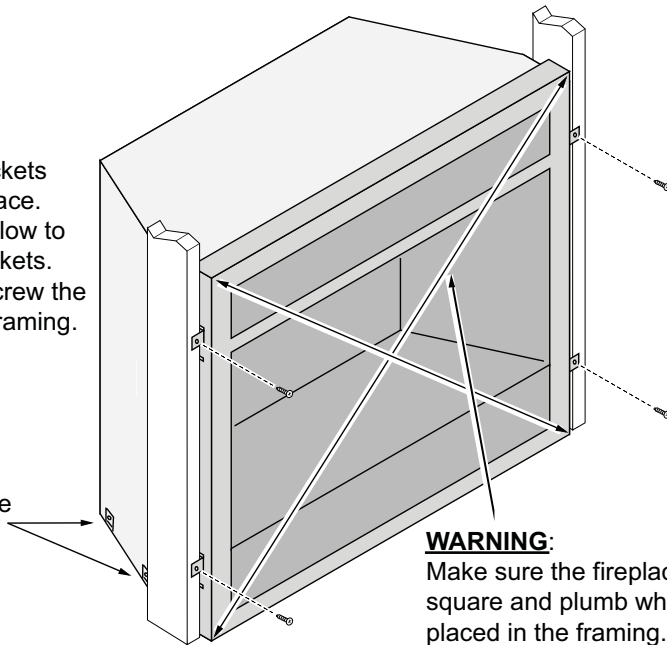
## Minimum Framing Dimensions



**Nailing Brackets**

There are 4 nailing brackets on the front of the fireplace. Follow the directions below to prepare the nailing brackets. Once in place, nail or screw the nailing brackets to the framing.

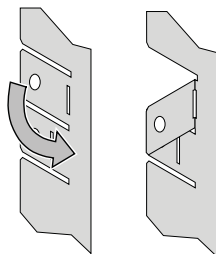
**NOTE:** Additional nailing brackets are provided along the base of the fireplace. Use these brackets if not using the front brackets.



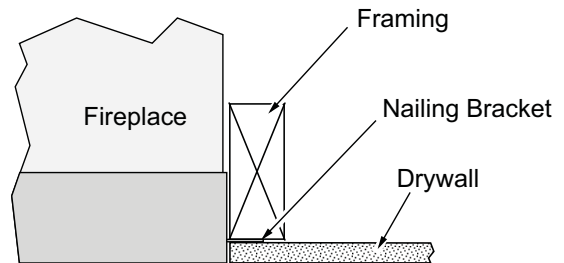
**WARNING:** Make sure the fireplace is square and plumb when placed in the framing. Measured corner-to-corner, the fireplace should be square (approx. 47-1/8" / 1197mm) for each dimension. Use shims to ensure the fireplace is square.

**1/2" (13mm) Drywall**

For installations using 1/2" (13mm) facing, fold the larger tab out 90 degrees. Use a screwdriver if necessary.

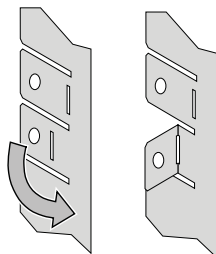


**TOP VIEW**

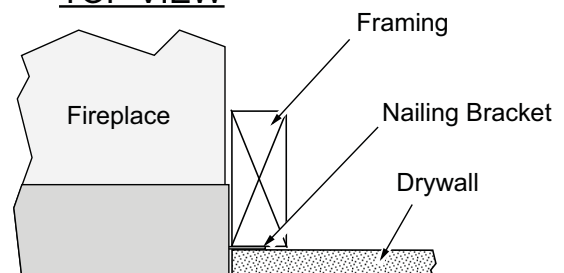


**5/8" (16mm) Drywall**

For installations using 5/8" (16mm) facing, fold the shorter tab out 90 degrees. Use a screwdriver if necessary.

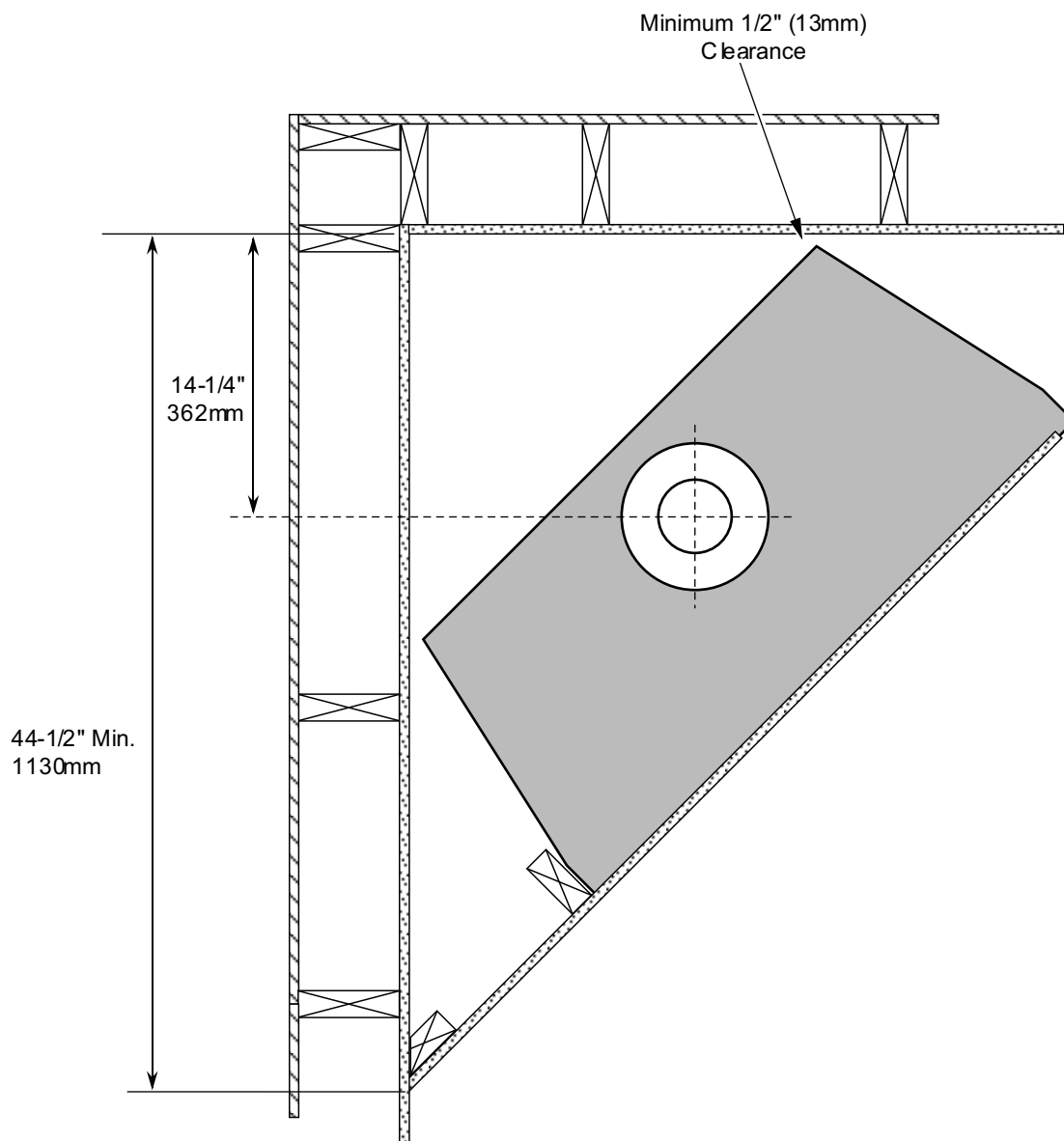


**TOP VIEW**



## Corner Installations

A typical 45° installation uses the framing dimensions shown in the illustration below (NOTE: all clearances still apply).



## Gas Line Requirements

### MASSACHUSETTS INSTALLATIONS - **WARNING:**

THIS PRODUCT MUST BE INSTALLED BY A LICENSED PLUMBER OR GAS FITTER WHEN INSTALLED WITHIN THE COMMONWEALTH OF MASSACHUSETTS.

#### OTHER MASSACHUSETTS CODE REQUIREMENTS:

- Flexible connector must not be longer than 36 inches.
  - Shutoff valve must be a "T" handle gas cock.
  - Only direct vent sealed combustion products are approved for bedrooms or bathrooms.
  - Fireplace dampers must be removed or welded in the open position prior to the installation of a fireplace insert or gas log.
  - A carbon monoxide (CO) detector is required in the same room as the appliance.
- The gas line must be installed in accordance with all local codes, if any; if not, follow ANSI 223.1 and NFPA 54(88), in Canada follow CSA B149.1 and the requirements listed below.
  - The fireplace and gas control valve must be disconnected from the gas supply piping during any pressure testing of that system at test pressures in excess of 1/2 psig (3.5 kPA). For pressures under 1/2 psig (kPA), isolate the gas supply piping by closing the manual shutoff valve.
  - Leak test all gas line joints and the gas control valve prior to and after starting the fireplace.

## Fuel

- This fireplace is designed either for natural gas or for propane (but not for both). Check the sticker on the top of the gas control valve to make sure the correct fuel is used.

## Gas Line Connection

- Installation must be performed by a qualified installer, service agency or the gas supplier (In Massachusetts a licensed plumber/gasfitter).

## Gas Inlet Pressure

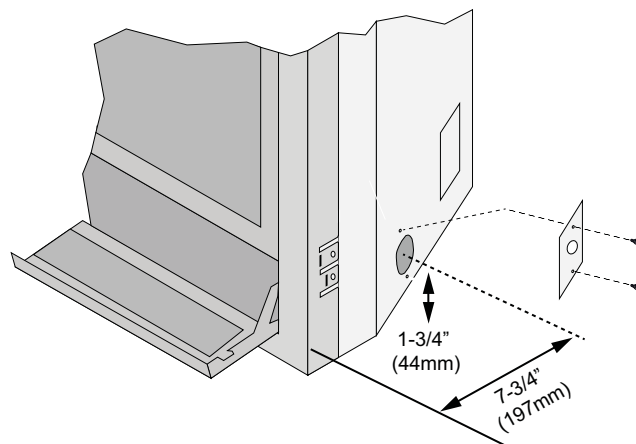
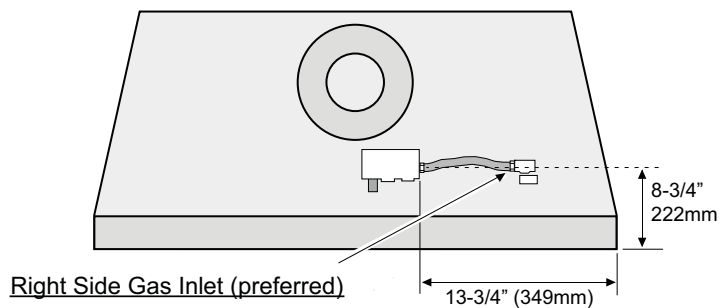
	Standard Input Pressure
Natural Gas	7" W.C. (1.74 kPA)
Propane	13" W.C. (2.73 kPA)

- If the pressure is not sufficient, make sure the piping used is large enough, the supply regulator is adequately adjusted, and the total gas load for the residence does not exceed the amount supplied.
- The supply regulator (the regulator that attaches directly to the residence inlet or to the propane tank) should supply gas at the suggested input pressure listed above. Contact the local gas supplier if the regulator is at an improper pressure.

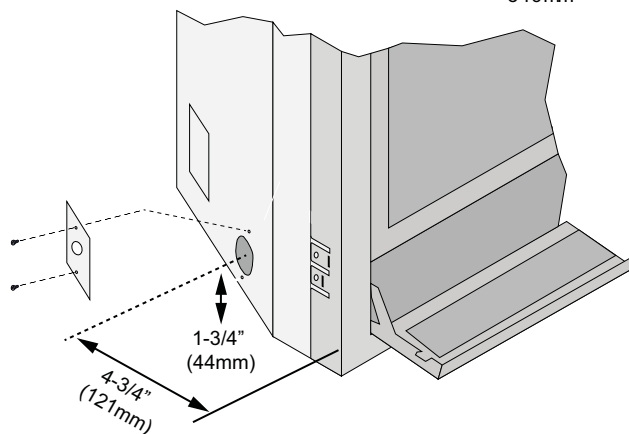
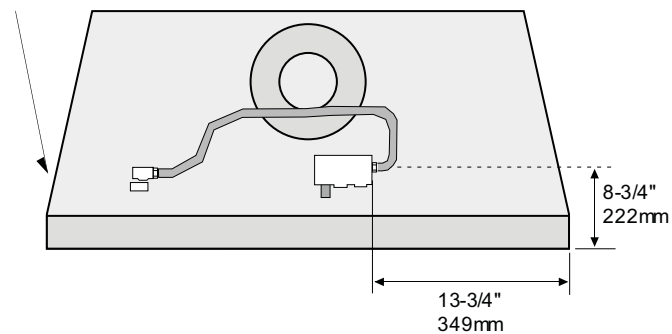
## Gas Line Location

A 6" (152mm) flex tube and shutoff valve are included with the fireplace. The shutoff valve accepts a 1/2" MPT.

The gas valve inlet is located 2-1/2" above the base of the fireplace.



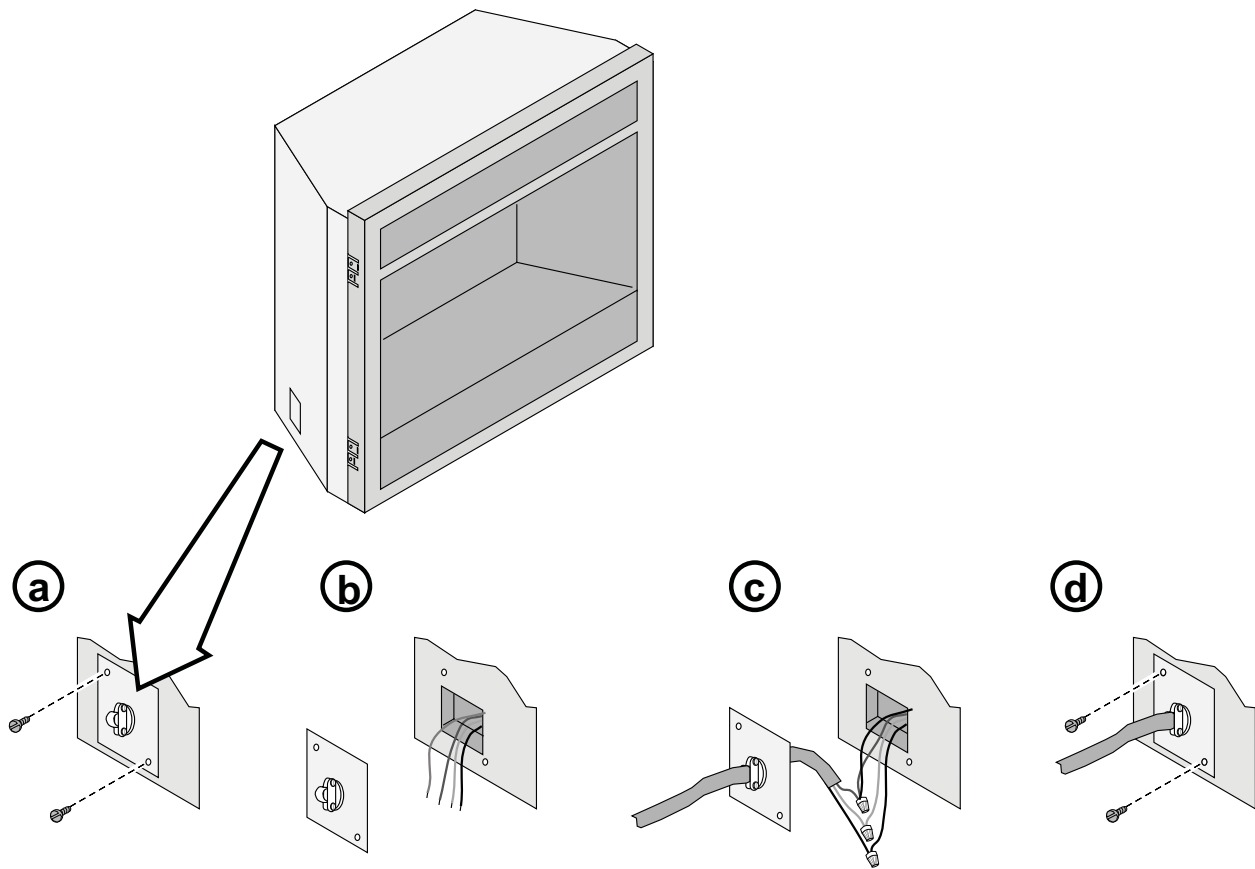
Left Side Gas Inlet



**Electrical Connection (required)**

- The electrical line to the grounded receptacle inside the fireplace must be installed by a qualified installer and must meet all local codes.
- Make sure the household breaker is shut off prior to working on any electrical lines.
- The appliance, when installed, must be electrically grounded in accordance with local codes or, in the absence of local codes, with the National Electrical Code, ANSI/NFPA 70, or the Canadian Electrical Code, CSA C22.1.
- The electrical line must be a min. 14 gauge, and supply 120 Volts at 60 Hz (2 Amps).

**Caution:** Label all wires prior to disconnection when servicing controls. Wiring errors can cause improper and dangerous operation.





## Optional Wall Switch or Thermostat Installation



Do not connect 110-120 VAC to the gas control valve or wiring system of this fireplace. The switch and wiring must be installed by a qualified installer.

This fireplace includes an optional wall switch (with wire) to operate the fireplace burner without accessing the internal on/off switch. A thermostat may be used instead.

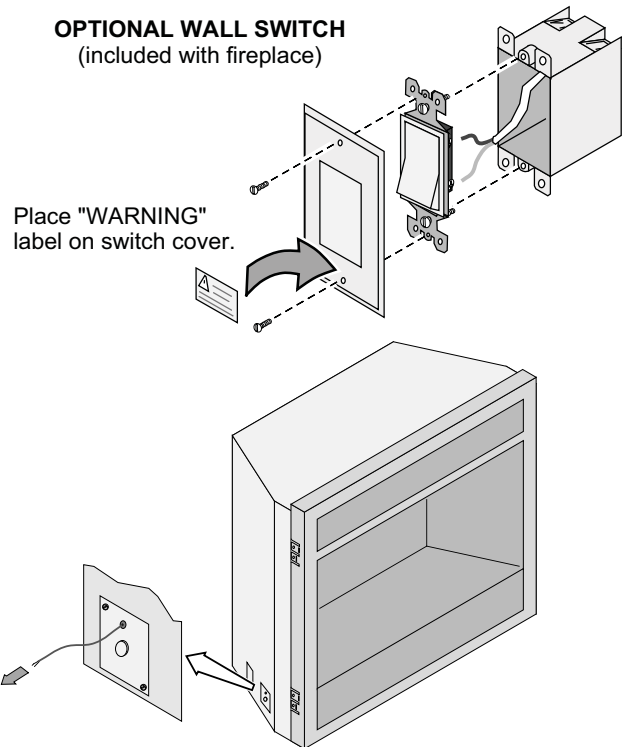
Route the wire from inside the fireplace, through the grommet on either side of the fireplace near the gas inlet (see at right) to the switch. The wall switch (or thermostat) may bypass the fireplace on/off switch or be installed in parallel or series configuration (see below).

**Caution:** Label all wires prior to disconnection when servicing controls. Wiring errors can cause improper and dangerous operation.

**Note:** When using a GreenSmart™ remote, use the receiver for on/off operation (do not use a wall switch or thermostat).

**Warning:** Make sure all wiring is secure and does not contact hot or moving components.

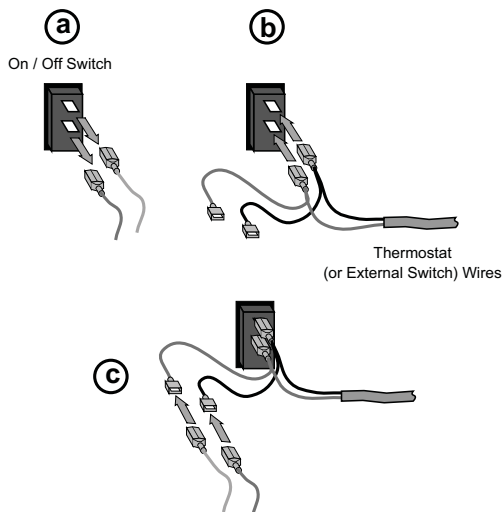
### OPTIONAL WALL SWITCH (included with fireplace)



### Parallel Connection

	On / Off Switch <b>ON</b>	On / Off Switch <b>OFF</b>
Thermostat / External Switch <b>ON</b>	Heater is <b>ON</b>	Heater is <b>ON</b>
Thermostat / External Switch <b>OFF</b>	Heater is <b>ON</b>	Heater is <b>OFF</b>

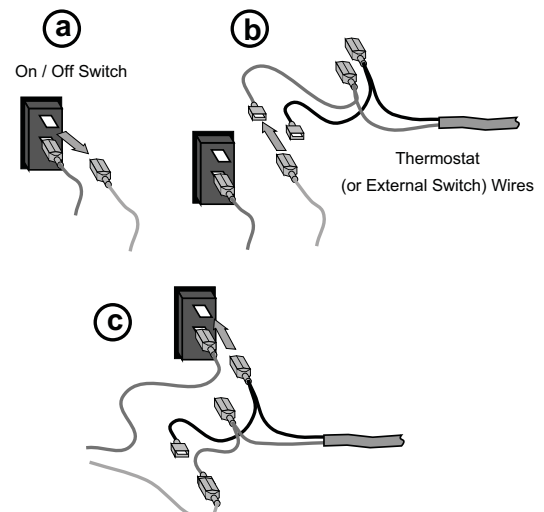
To wire the heater in parallel, follow the directions below:



### Series Connection

	On / Off Switch <b>ON</b>	On / Off Switch <b>OFF</b>
Thermostat / External Switch <b>ON</b>	Heater is <b>ON</b>	Heater is <b>OFF</b>
Thermostat / External Switch <b>OFF</b>	Heater is <b>OFF</b>	Heater is <b>OFF</b>

To wire the heater in series, follow the directions below:



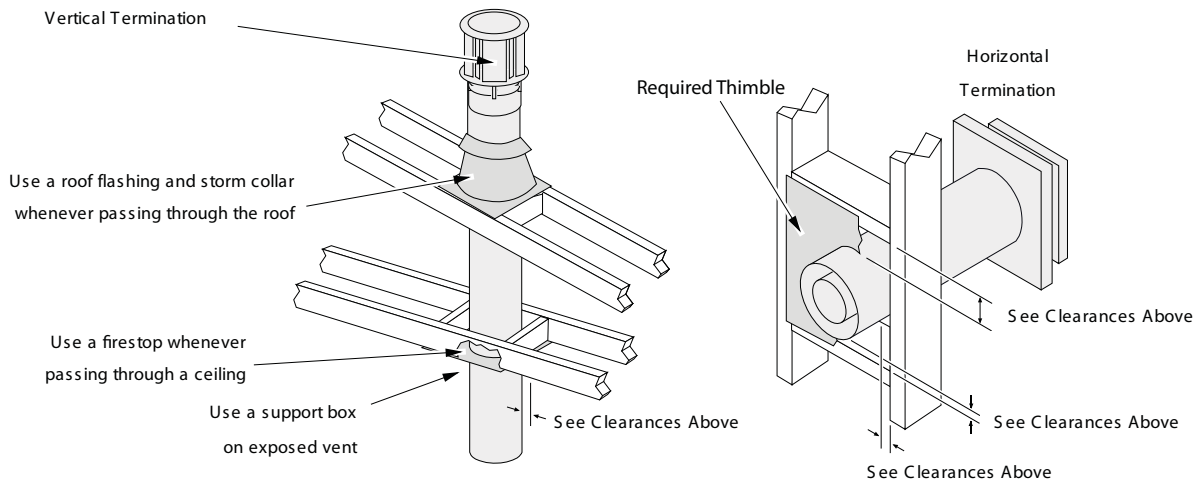
## Vent Requirements

- The gas appliance and vent system must be vented directly to the outside of the building, and never be attached to a chimney serving a separate solid fuel or gas-burning appliance. Each direct vent gas appliance must use its own separate vent system.
- In addition to the requirements listed here, follow the requirements provided with the vent.
- The fireplace must use the Travis Thimble (sku 250-02318) whenever the vent penetrates a wall. Other penetrations only require a 1" (25mm) clearance and may use a standard firestop (make sure the required 1" (25mm) clearance is met).

## Vent Clearances

- The vent must maintain the required clearance to combustible materials to prevent a fire. Do not fill air spaces with insulation.

Sides	1" (25mm)
Above	4" (102mm)
Below	1" (25mm)



## Altitude Considerations

- This heater has been tested at altitudes ranging from sea level to 6,000 feet (1800 M). In this testing we have found that the heater, with its standard orifice, burns correctly with just an air shutter adjustment.
- Failure to adjust the air shutter properly may lead to improper combustion which can create a safety hazard. Consult your dealer or installer if you suspect an improperly adjusted air shutter.

## Approved Vent

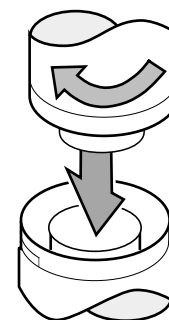
- May use 6-5/8" if terminated vertically.
  - Horizontal termination configurations use 8" (203mm) diameter Simpson Dura-Vent Model Direct-Vent Pro (or GS)\*.
- \* Other vent may be approved with this fireplace. Check with the vent manufacturer for details.
- Vertical termination configurations use 8" (203mm) or 6-5/8" (168mm) diameter Simpson Dura-Vent Direct-Vent Pro (or GS)\*.

**NOTE: Travis Industries strongly recommends using a 6-5/8" diameter vent when terminating vertically.**

- **NOTE:** When using 6-5/8" (168mm) diameter vent, make sure to accommodate the 4" (102mm) clearance above the vent. Standard firestops do not include this clearance.
- Always use the high-wind cap (58DVA-HC, 58DVA-VCH, or 46DVA-VCH).
- Installation instructions for Simpson Dura-Vent may be found at [www.duravent.com](http://www.duravent.com).
- Other vents may be approved.

## Vent Installation

- Slide the vent sections together and turn 1/4 turn until the sections lock in place.
- Screws are not required to secure the vent. However, three screws may be used to secure vent sections together if desired.
- High temperature sealant is recommended at the appliance starter section connection (use high-temperature silicone or Mill-Pac®).
- If disassembly is required, at time of re-assembly check to see if the vent creates a tight fit. If it does not, apply high temperature sealant to the joints of the affected sections.
- Horizontal sections require a 1/4" (6mm) rise every 12" (305mm) of travel
- Horizontal sections require non-combustible support every three feet (e.g.: plumbing tape)



## Approved Vent Configurations

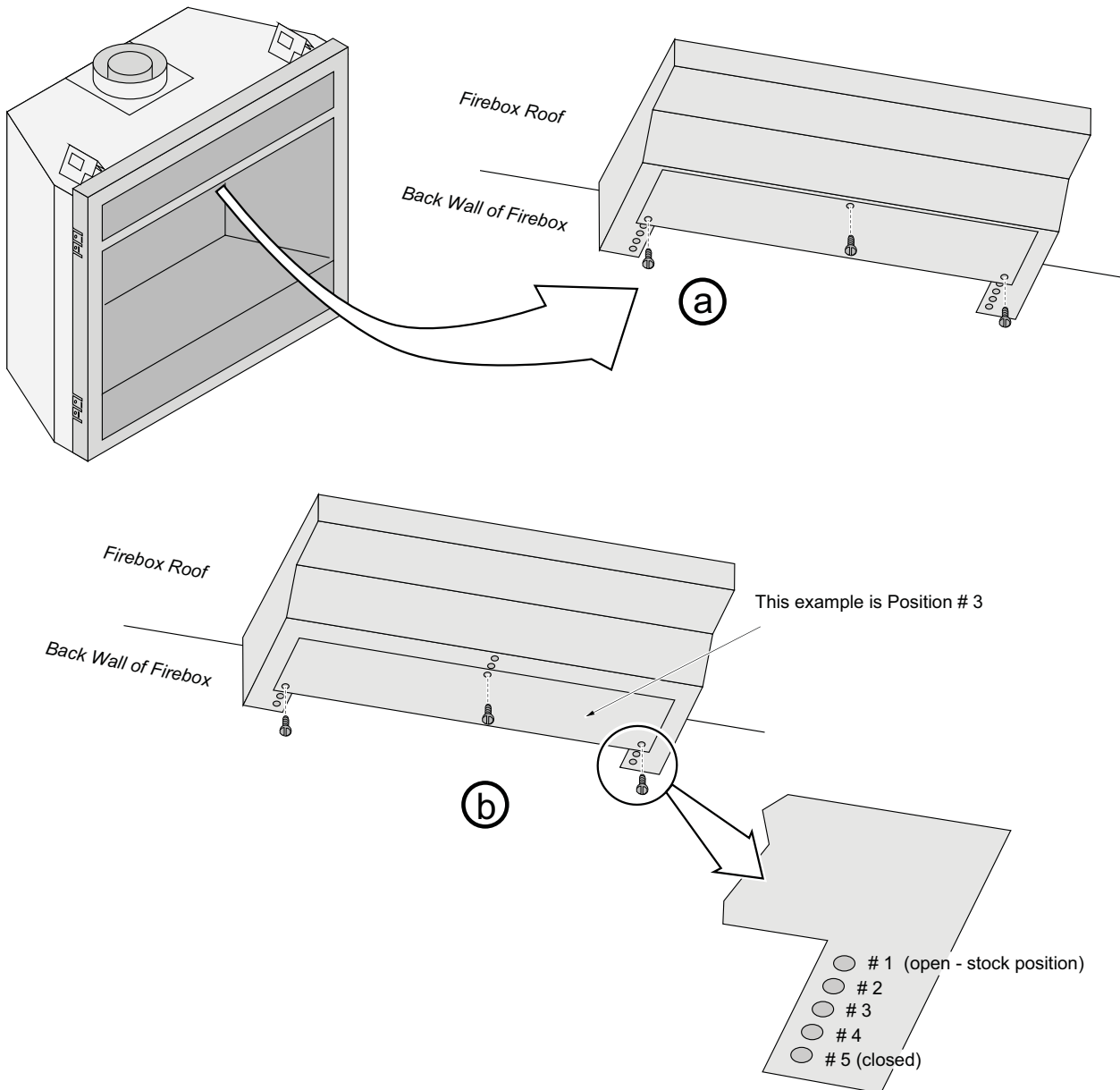
### Restrictor Position

- Intake and exhaust restrictors are built into the appliance to adjust the flow rate of intake air and exhaust gases. Depending upon the vent configuration, you may be required to adjust the restrictor positions. The charts for acceptable vent configurations detail the correct restrictor positions.

### Exhaust Restrictor Adjustment

The exhaust restrictor is shipped in position "1". If the restrictor is required in a different position, remove the screws, re-position the restrictor (see "A" below), and replace the screws.

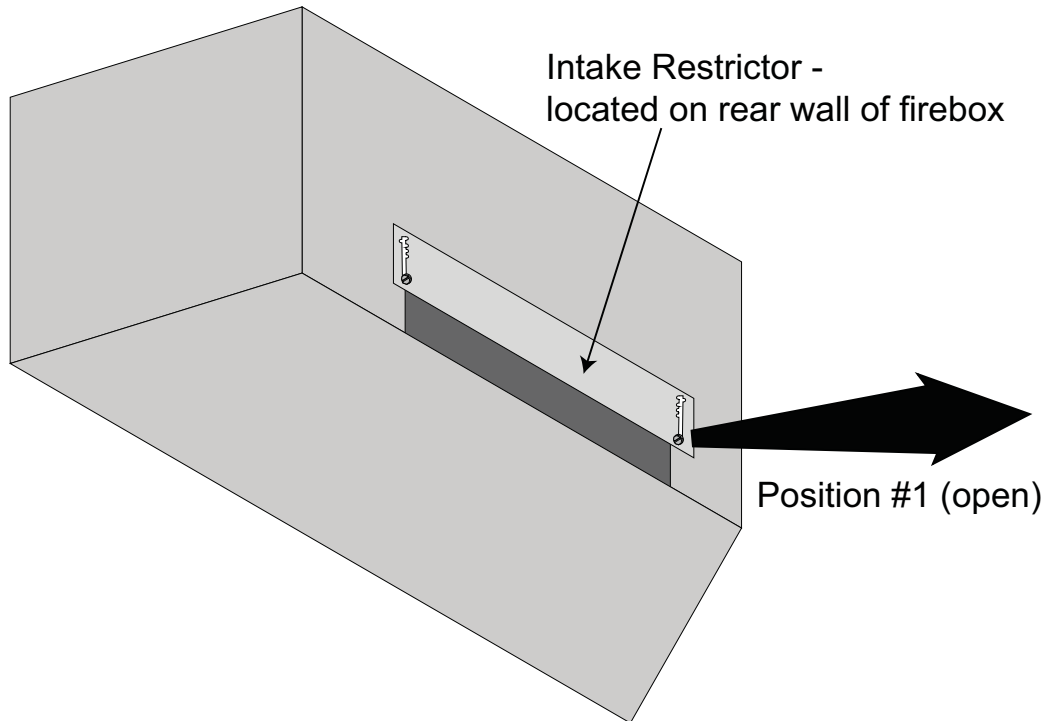
In the example "B" below, the restrictor is set in position #3.



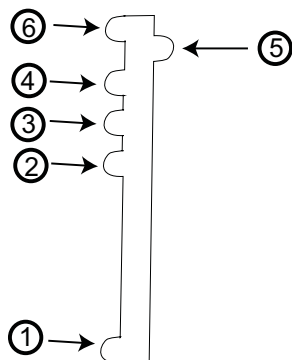
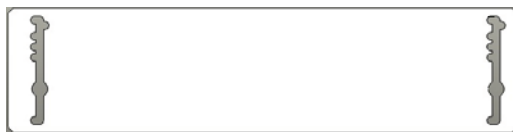
## Intake Restrictor Adjustment

The intake restrictor is shipped with the burner. See the burner installation instructions for details on installing this component.

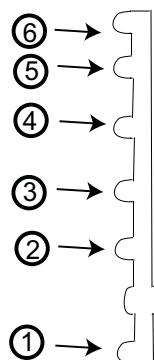
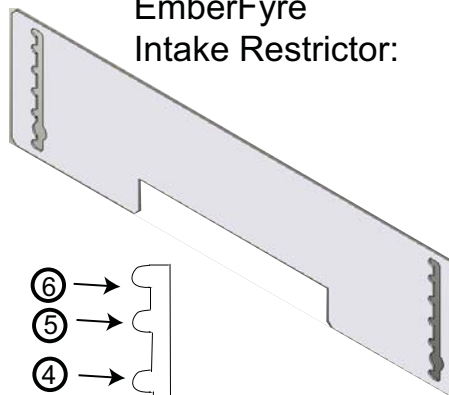
Make sure to adjust the intake restrictor to the position indicated on the vent configuration page. To adjust the restrictor, loosen the two screws securing the restrictor to the firebox and slide it to the correct position as shown below.



Dancing/DiamondFyre Intake Restrictor:



EmberFyre Intake Restrictor:

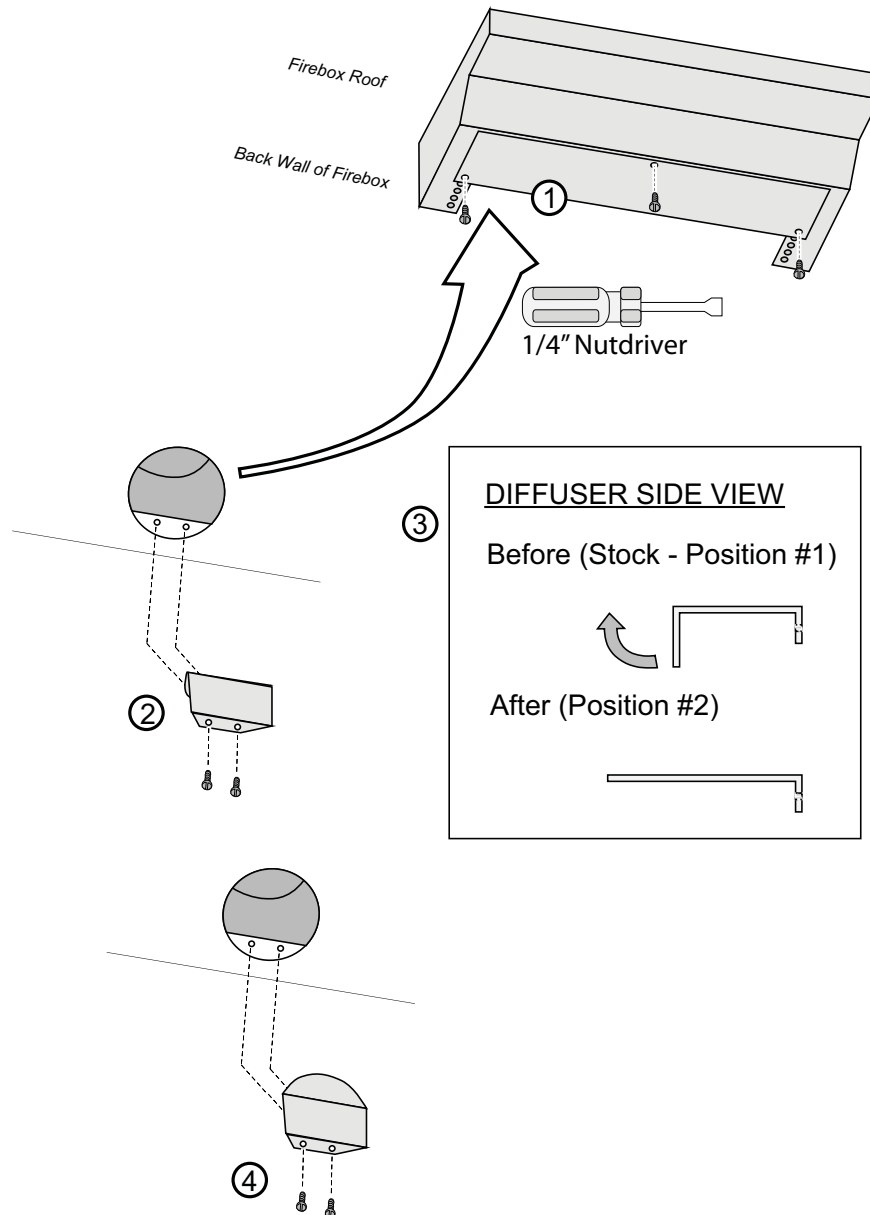


## Diffuser Plate Adjustment

Certain vent configurations require the diffuser plate to be adjusted (refer to the approved vent configuration charts for details). Position # 1 is stock (bent). Position # 2 is flattened.

Change the diffuser to position #2 as follows:

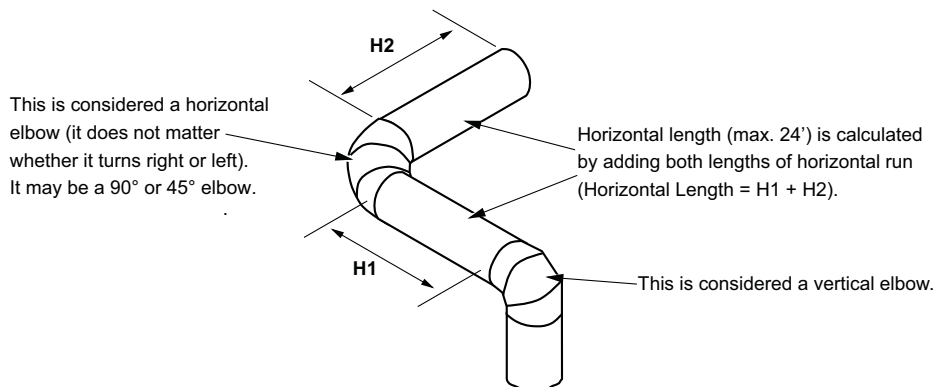
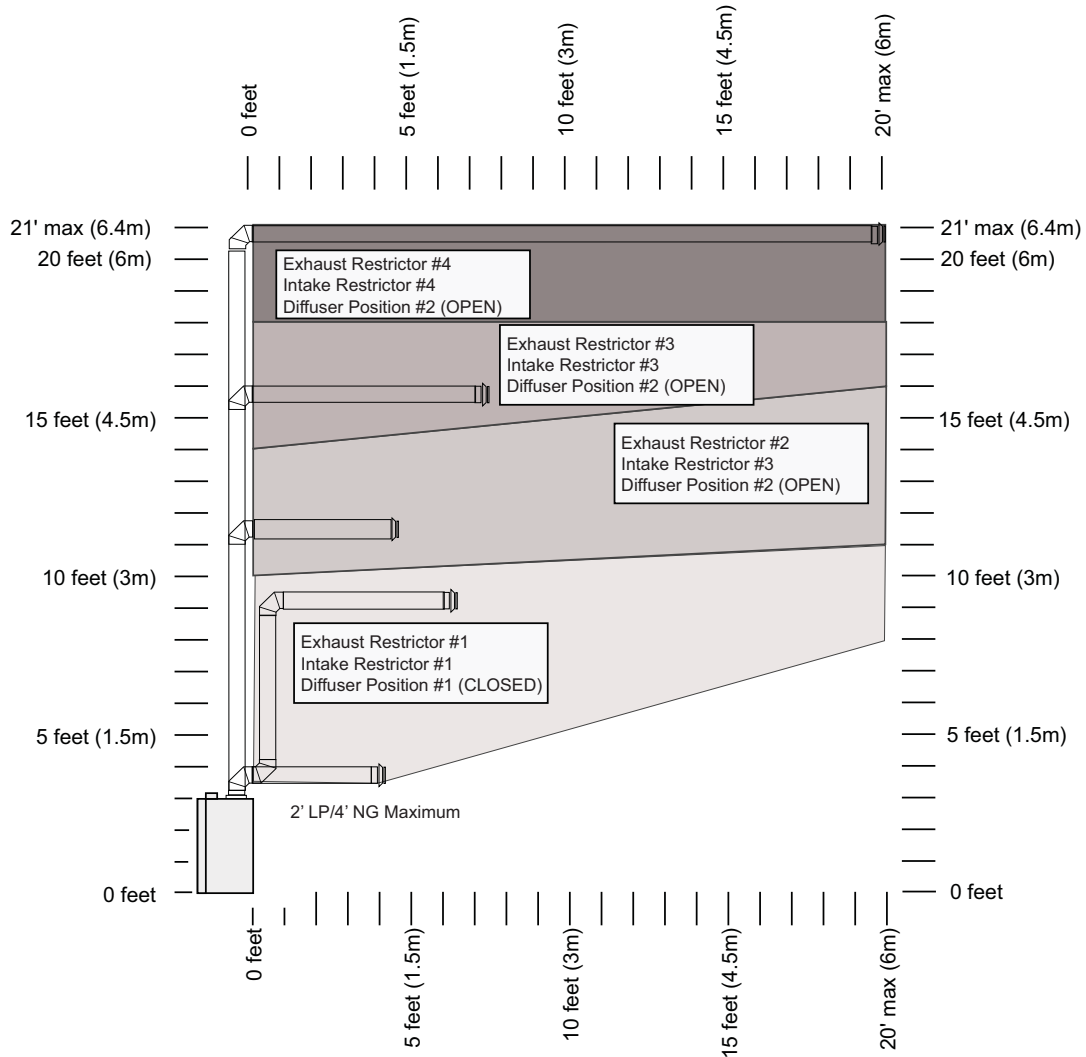
1. The diffuser is located above the exhaust restrictor (remove the restrictor if necessary).
2. Remove the diffuser.
3. Bend the round portion of the diffuser so it is flat (position #2).
4. Secure the flattened diffuser plate with the screws removed earlier.
5. Replace the exhaust restrictor. See "Exhaust Restrictor Adjustment" for the restrictor settings.



## Vent Configurations with Horizontal Termination (EmberFyre Burner only)

- The termination must fall within the shaded area shown in the chart. Use the indicated restrictor and diffuser positions.
- Up to four elbows (45° or 90°) may be used.
- Only one horizontal elbow may be used.

NOTE: With no vertical rise, LP installations have a maximum run of 2 feet (0.6m); NG installations have a maximum run of 4 feet (1.2m).

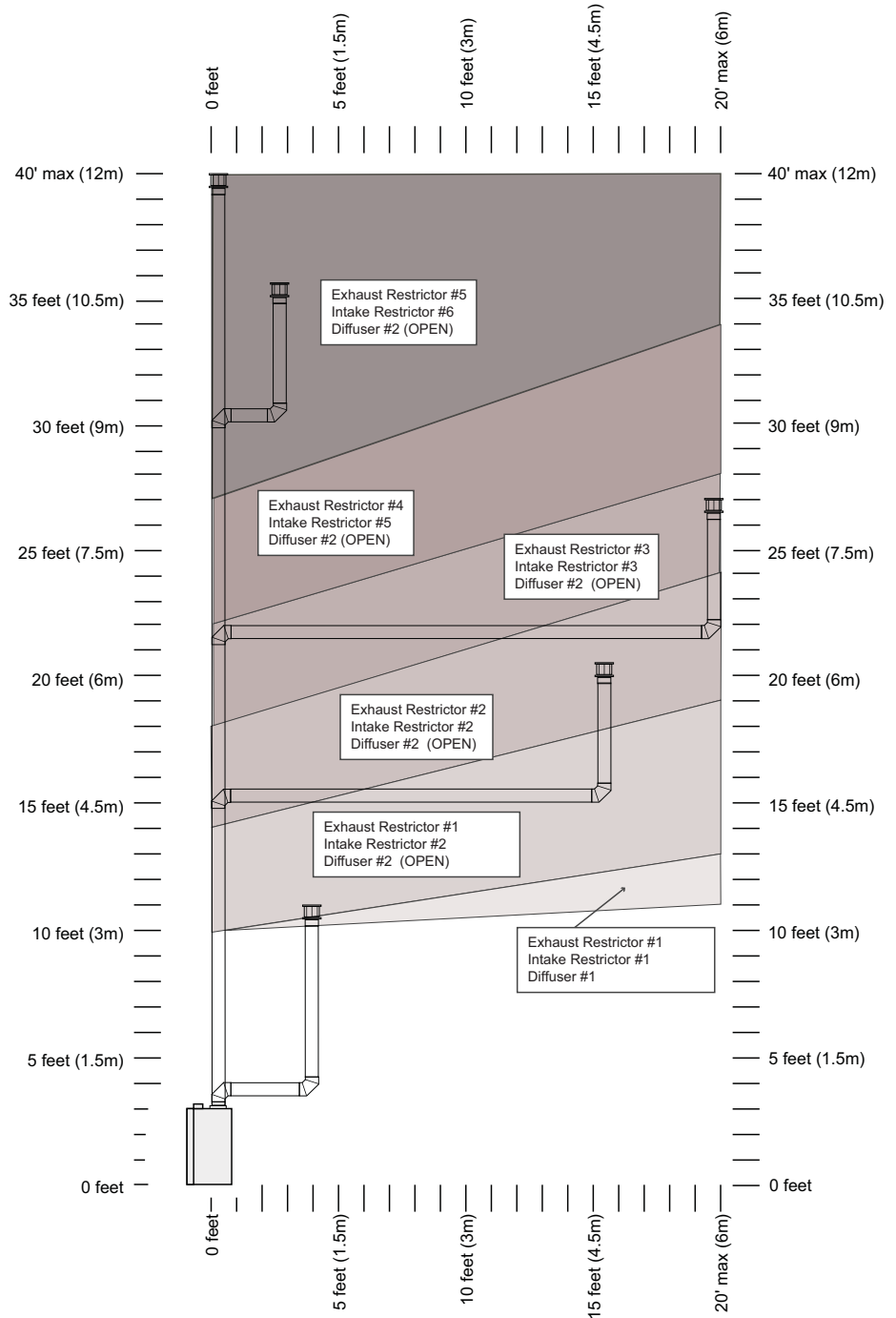
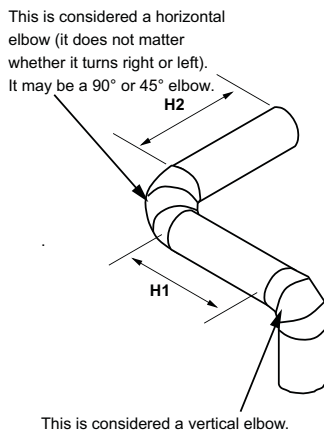


Vent Configurations with Vertical Termination (EmberFyre Burner only)

**NOTE:** Travis Industries strongly recommends using a 6-5/8" diameter vent when terminating vertically.

- The termination must fall within the shaded area shown in the chart. Use the indicated restrictor and diffuser positions.
- Up to four elbows (45° or 90°) may be used.
- Only one horizontal elbow may be used.

Horizontal length (max. 24') is calculated by adding both lengths of horizontal run (Horizontal Length = H1 + H2).

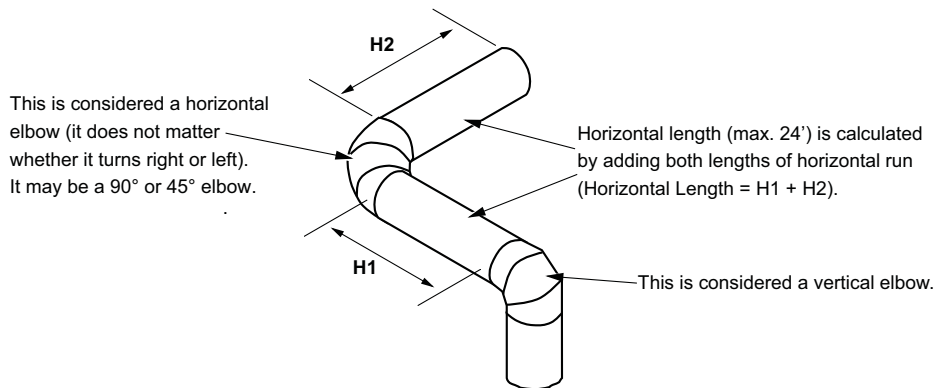
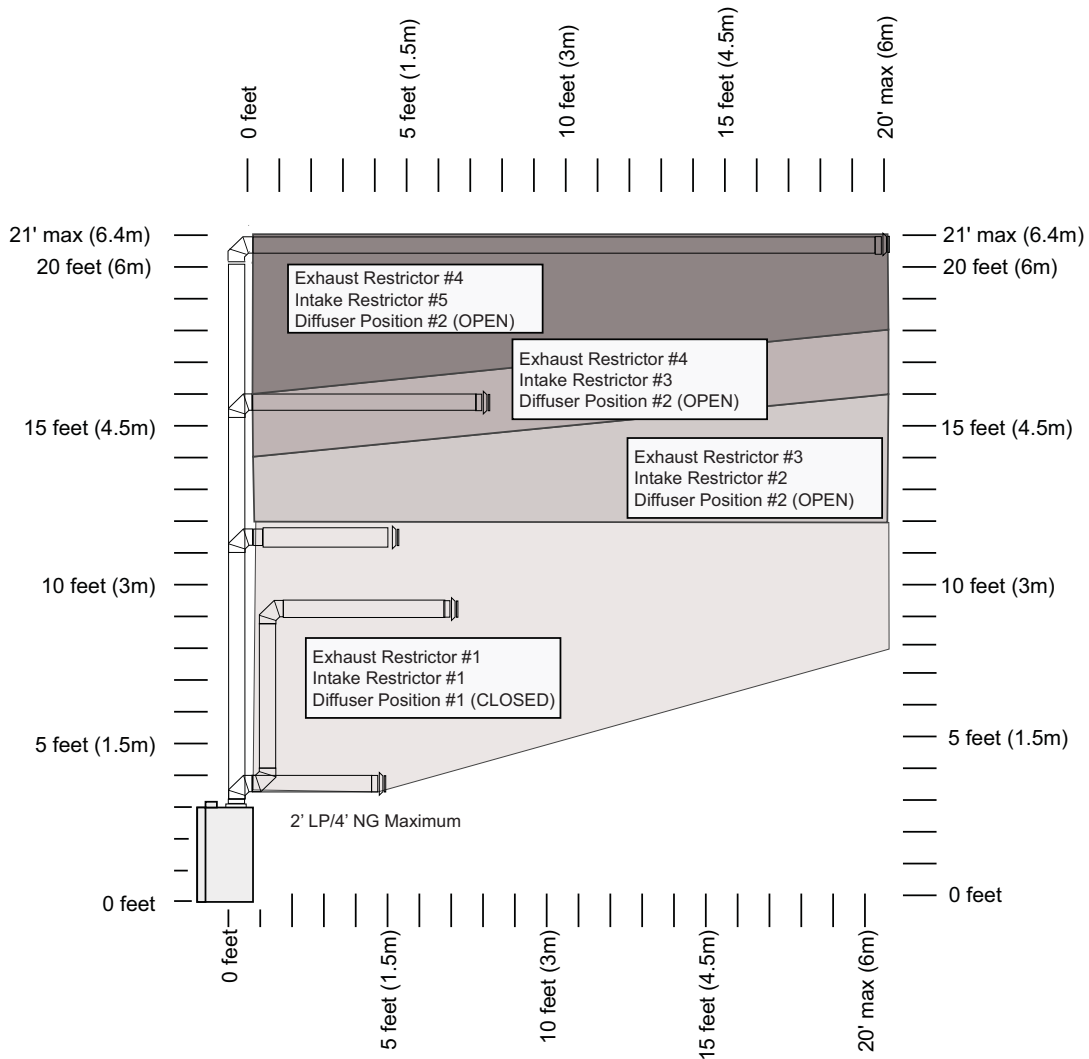




## Vent Configurations with Horizontal Termination (Dancing/DiamondFyre)

- The termination must fall within the shaded area shown in the chart. Use the indicated restrictor and diffuser positions.
- Up to four elbows (45° or 90°) may be used.
- Only one horizontal elbow may be used.

NOTE: With no vertical rise, LP installations have a maximum run of 2 feet (0.6m); NG installations have a maximum run of 4 feet (1.2m).

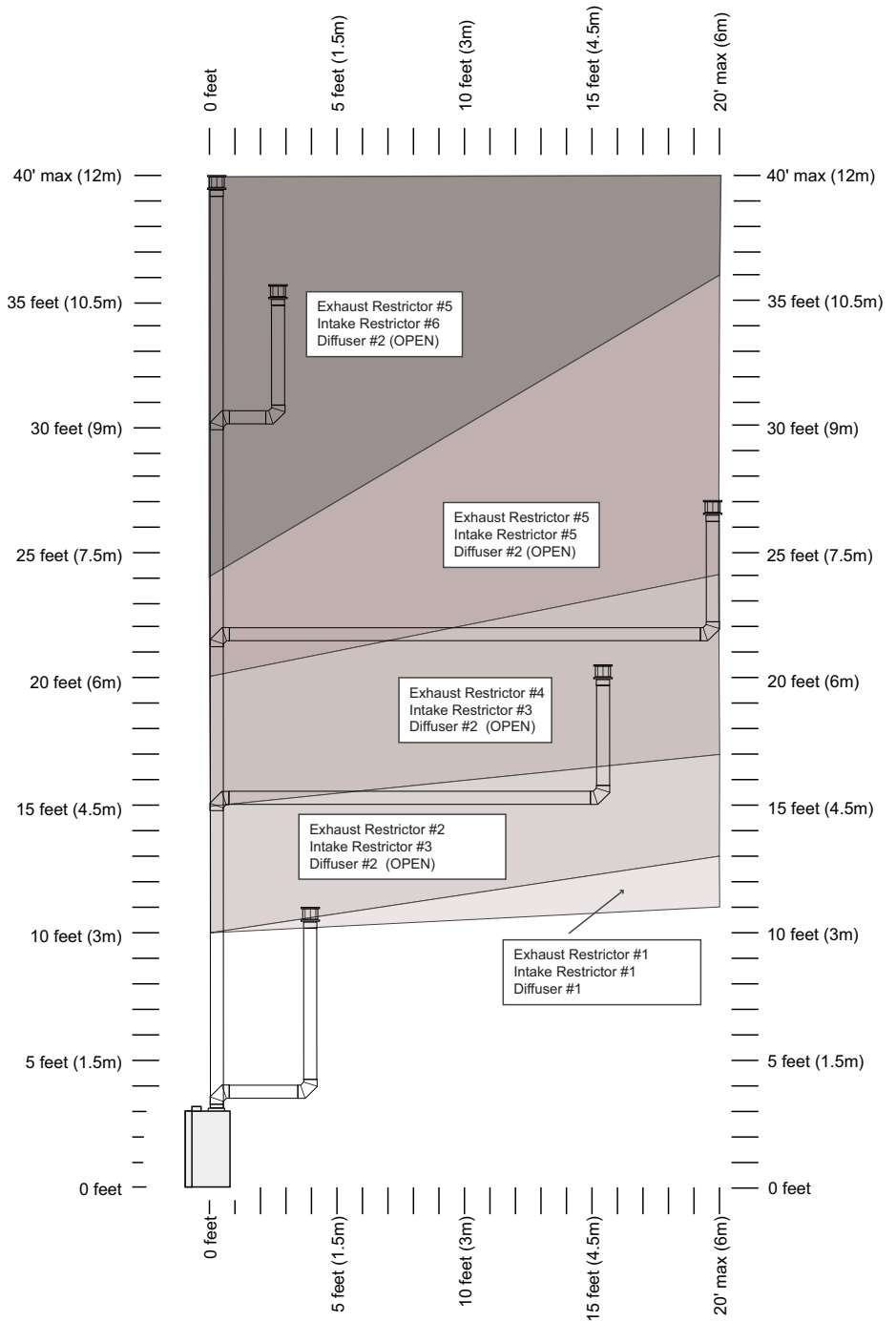
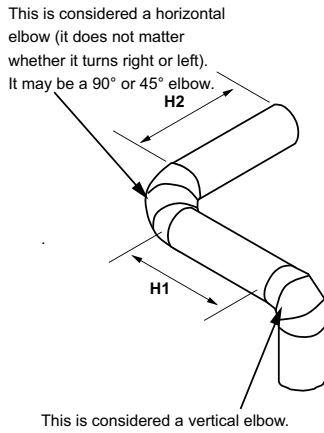


**Vent Configurations with Vertical Termination (Dancing/DiamondFyre)**

**NOTE: Travis Industries strongly recommends using a 6-5/8" diameter vent when terminating vertically.**

- The termination must fall within the shaded area shown in the chart. Use the indicated restrictor and diffuser positions.
- Up to four elbows (45° or 90°) may be used.
- Only one horizontal elbow may be used.

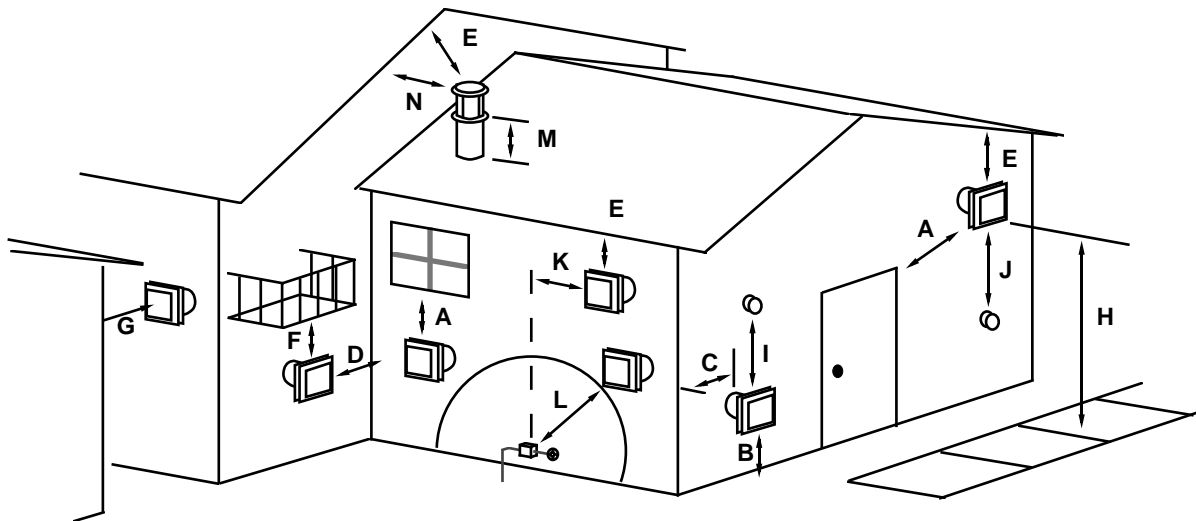
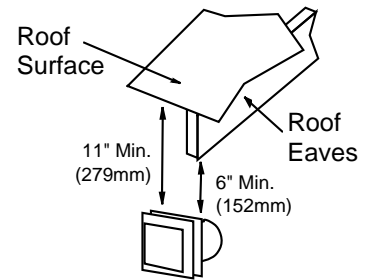
Horizontal length (max. 24') is calculated by adding both lengths of horizontal run (Horizontal Length = H1 + H2).



## Termination Requirements

### ! Venting terminals shall not be recessed into a wall or siding.

- A Minimum 9" (229mm) clearance from any door or window
- B Minimum 12" (305mm) above any grade, veranda, porch, deck or balcony
- C Minimum 1" (25mm) from outside corner walls  
**NOTE:** Clearance in accordance with local installation codes and the requirements of the gas supplier.
- D Minimum 1" (25mm) from inside corner walls  
**NOTE:** Clearance in accordance with local installation codes and the requirements of the gas supplier.
- E Minimum 11" (279mm) clearance below unventilated soffits or roof surfaces.  
Minimum 18" (457mm) clearance below ventilated soffits.  
Minimum 6" (152mm) clearance below roof eaves.  
**NOTE:** Vinyl surfaces require 24" (610mm)  
**NOTE:** Clearance in accordance with local installation codes and the requirements of the gas supplier.
- F Minimum 12" (305mm) clearance below a veranda, porch, deck or balcony.  
**NOTE:** Permitted only if veranda, porch, deck, or balcony is fully open on a minimum of two sides beneath the floor.  
**NOTE:** Clearance in accordance with local installation codes and the requirements of the gas supplier.
- G Minimum 48" (1219mm) clearance from any adjacent building.
- H Minimum 84" (2134mm) clearance above any grade when adjacent to public walkways or driveways.  
**NOTE:** may not be used over a walkway or driveway shared by an adjacent building.
- I Minimum 9" (229mm) clearance to any non-mechanical air supply inlet to the building or the combustion air inlet to any other appliance.
- J Minimum 36" (914mm) clearance above any mechanical air supply inlet if within 10' (3M) horizontally.
- K Minimum 36" (914mm) from the area above the meter/regulator (vent outlet) - this extends 15' (4.5M) above the regulator  
**NOTE:** Clearance in accordance with local installation codes and the requirements of the gas supplier.
- L Minimum 36" (914mm) from the meter/regulator (vent outlet).  
**NOTE:** Clearance in accordance with local installation codes and the requirements of the gas supplier.
- M Minimum 12" (305mm) above the roof line (for vertical terminations).
- N Minimum 24" (610mm) horizontal clearance to any surface (such as an exterior wall) – for vertical terminations.

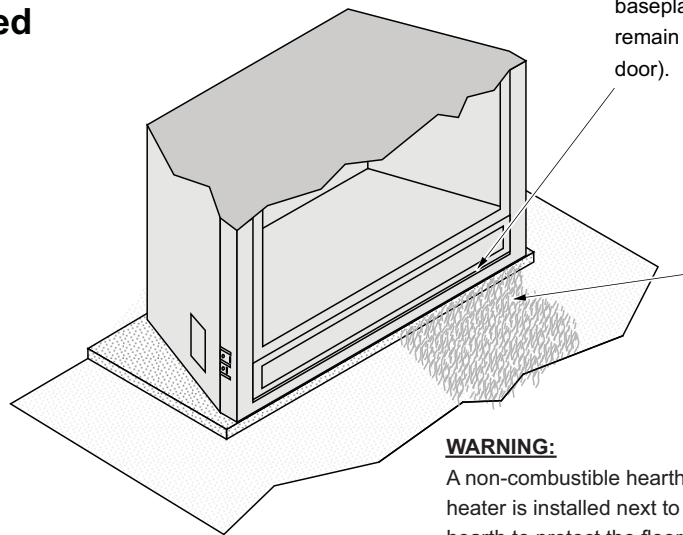


### **NOTE: Measure clearances to the nearest edge of the exhaust hood.**

- Use the vinyl siding standoff when installing on an exterior with vinyl siding.
- Vent termination must not be located where it will become plugged by snow or other material

## Hearth Requirements

### Floor Mounted Fireplaces



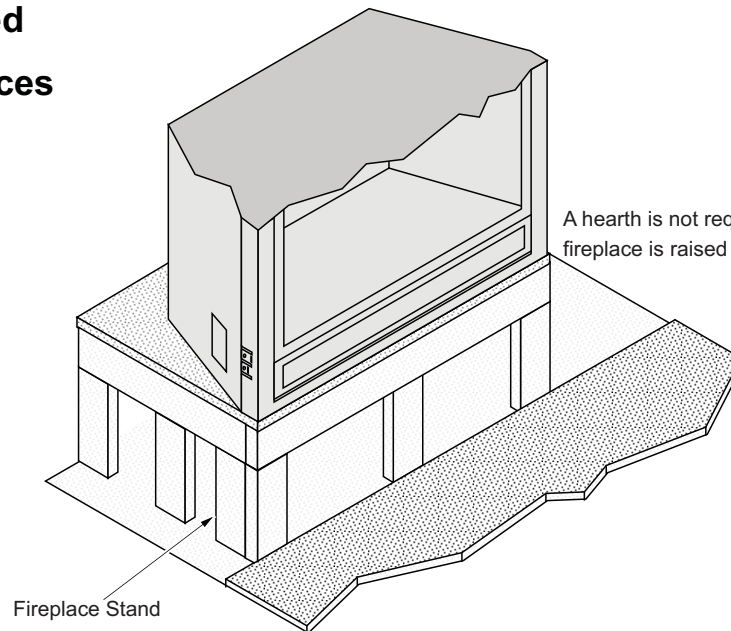
Do not build a hearth more than 1" (25mm) above the baseplate (this area must remain clear for the access door).

If installed near carpet or other combustible flooring, the fireplace must be raised so the base of the unit is above the carpet surface or flooring material.

**WARNING:**

A non-combustible hearth is not required. However, if the heater is installed next to the floor, we recommend a hearth to protect the flooring surface from discoloration or other negative impact from the heater.

### Raised Fireplaces

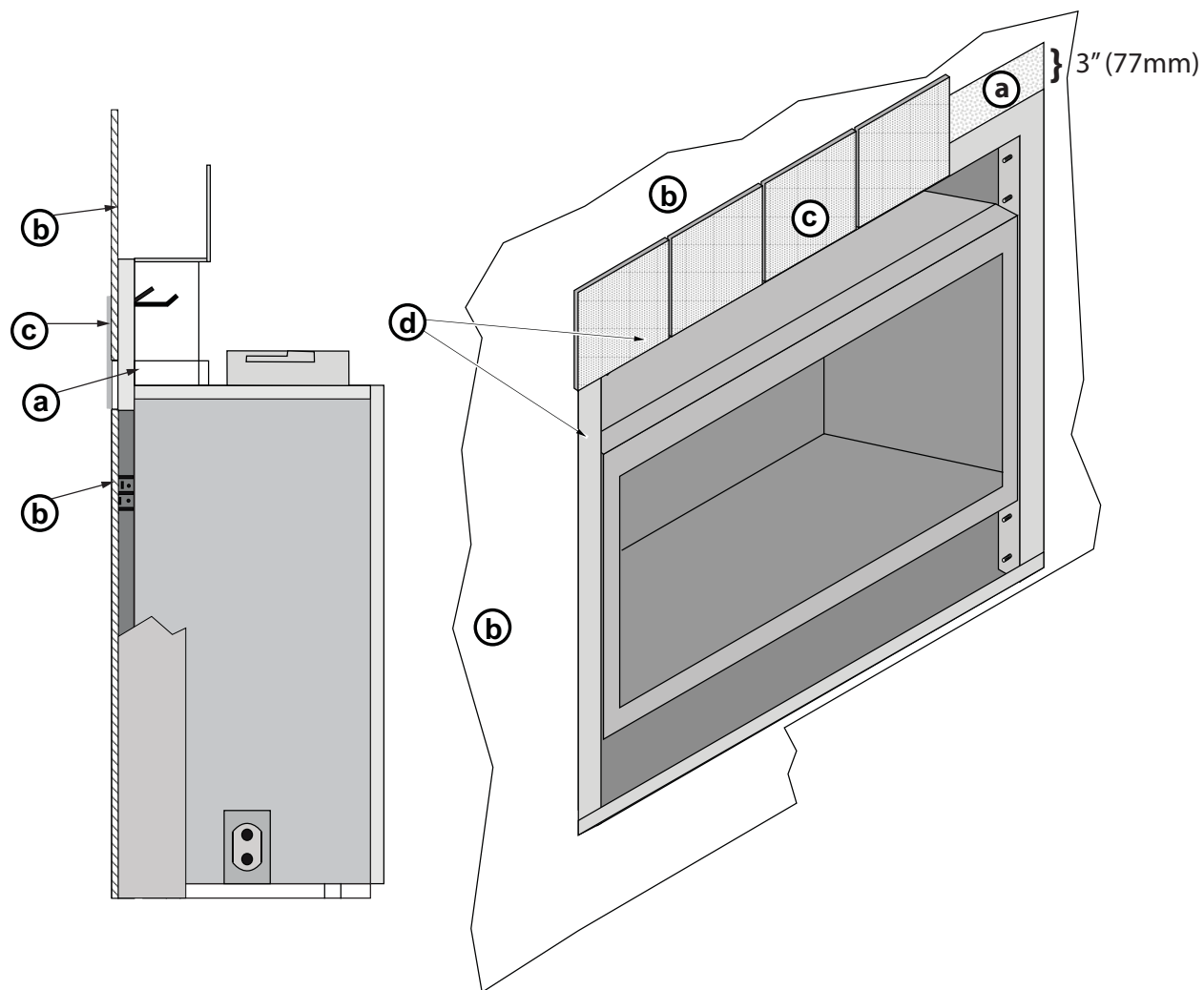


A hearth is not required when the fireplace is raised above the flooring surface.

## Facing Requirements

- The included fiber board is required and must remain attached to the fireplace (see “a” below).
- Non-combustible facing must extend 3” (77mm) above the face of the fireplace (see “c” below). Drywall or other combustible may not be placed on top of this non-combustible area.
- Drywall (or other combustible) may be placed above the non-combustible facing (see “b” below) and to the sides and below the fireplace face. This combustible facing must be a minimum 3” (77mm) above the face of the fireplace (see “b” below).
- Tile or other non-combustible facing may be placed along the perimeter of the fireplace face, but must not extend over the glass/grill opening (see “d”). This area must remain open to allow for glass frame removal and air flow.

## Drywall Installation



(a) Fiber Board (included with fireplace)

(b) Drywall (or other combustible)

(c) Tile (or other non-combustible)

(d) Perimeter of Fireplace (may be covered)

## Facing Overview



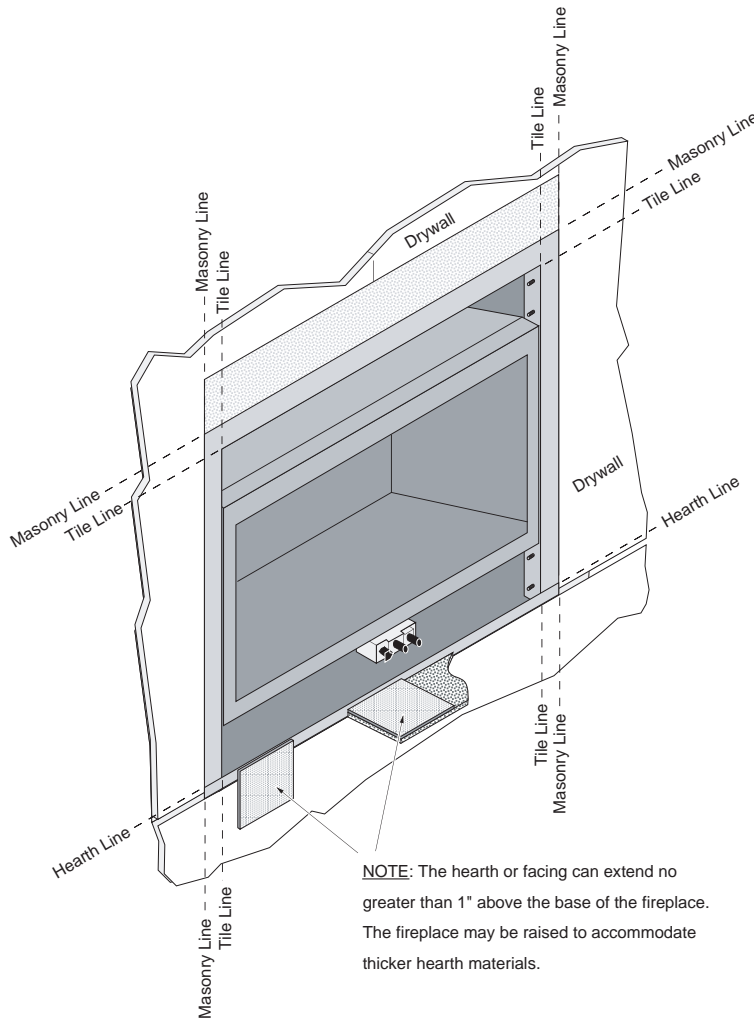
Upgrade faces are available for this fireplace and may influence facing installation. Consult with your Travis Dealer if you are using an upgraded face.

An optional non-combustible facing may be installed on the fireplace. Use the guidelines below to determine the location (also see the following pages for detailed diagrams).

**Tile Line** Any non-combustible facing under 1" (25mm) thick (see "Thin Facing" on page 31).

**Masonry Line** Any non-combustible facing over 1" (25mm) thick (see "Thick Facing" on page 33).

**Hearth Line** Non-combustible hearth/facing should be installed up to this location (1" (25mm) above the base of the fireplace). The fireplace may be raised to accommodate thicker hearth materials.



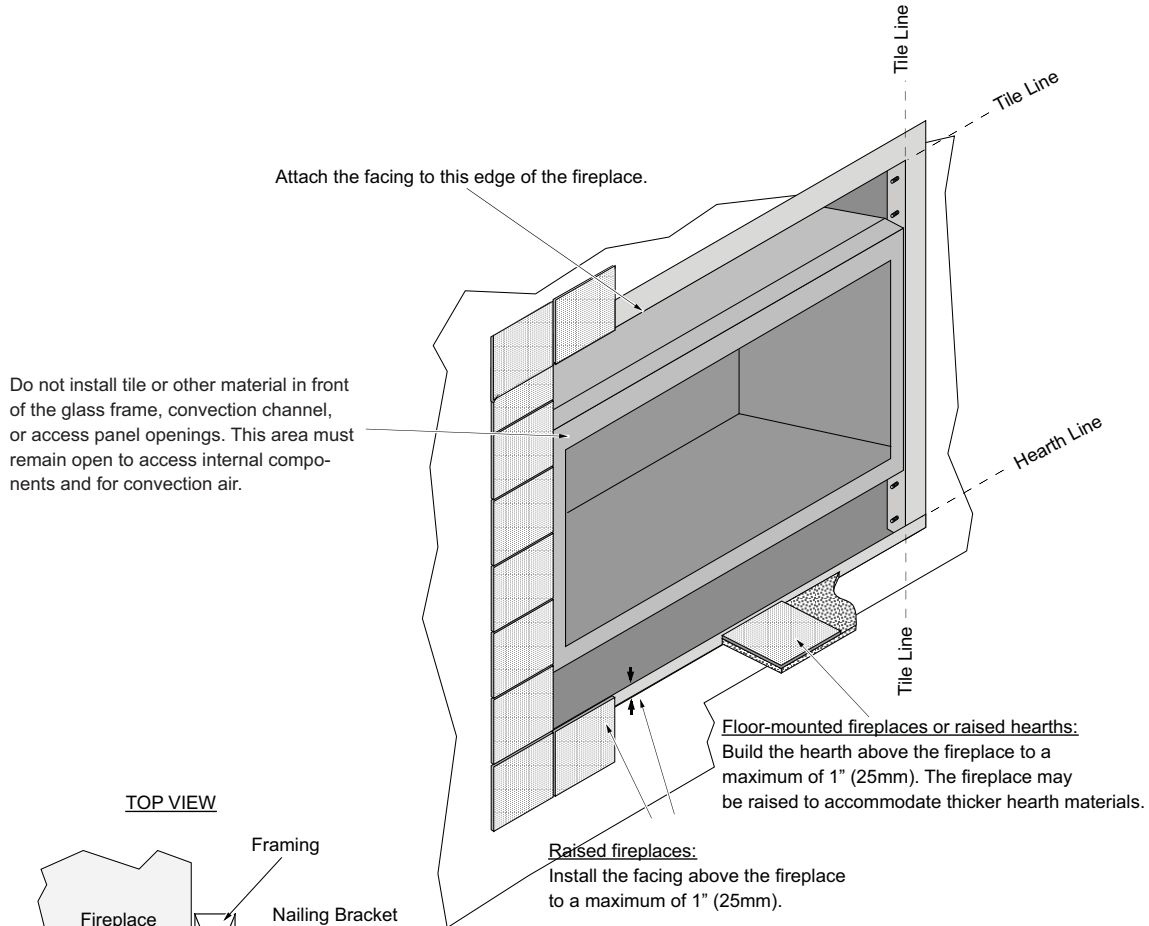
## Optional Faceplates – Sizing Chart

Name	Height	Width	Notes
FPX Artisan, Classic, Fr Ctry	29" (737mm)	36" (914mm)	61" Radius – May fit over top of tile facing
Wilmington	29" (737mm)	36" (914mm)	May fit over top of tile facing
Victorian Lace	27-1/2" (699mm)	32-3/8" (822mm)	Optional facing will abut the edge of faceplate (tile line)
Bungalow, Tree of Life	27-1/2" (699mm)	32-3/8" (822mm)	Optional facing will abut the edge of faceplate (tile line)

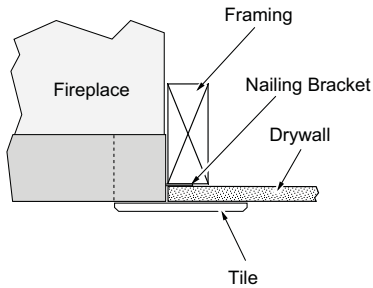
## Thin Facing Installation (tile, marble, or other non-combustible under 1" (25mm) thick)



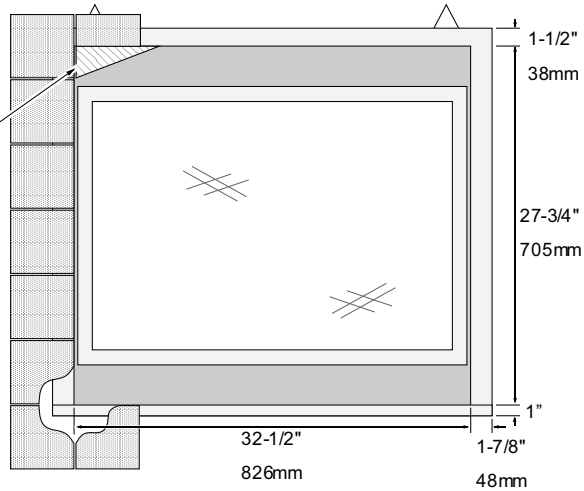
Upgrade faces are available for this fireplace and may influence facing installation. Consult with your Travis dealer if you are using an upgraded face.



**TOP VIEW**

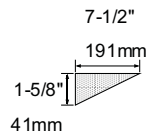


**FRONT VIEW**



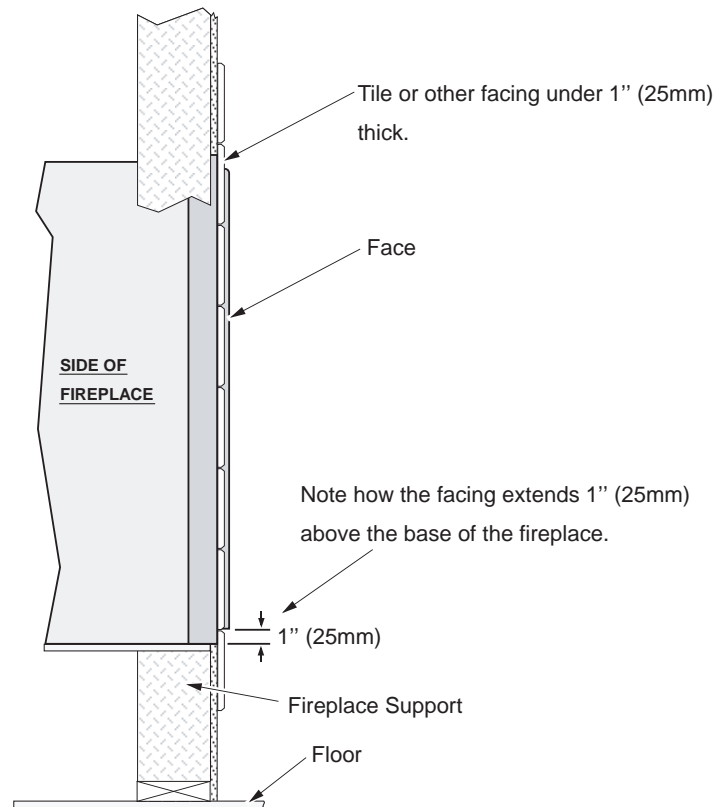
**NOTE FOR FPX FACES:**

FPX arched faces require the FPX Face Upgrade Kit (sku 98500683) and a triangular piece of facing in these upper corners. See the instructions included with the face for details.

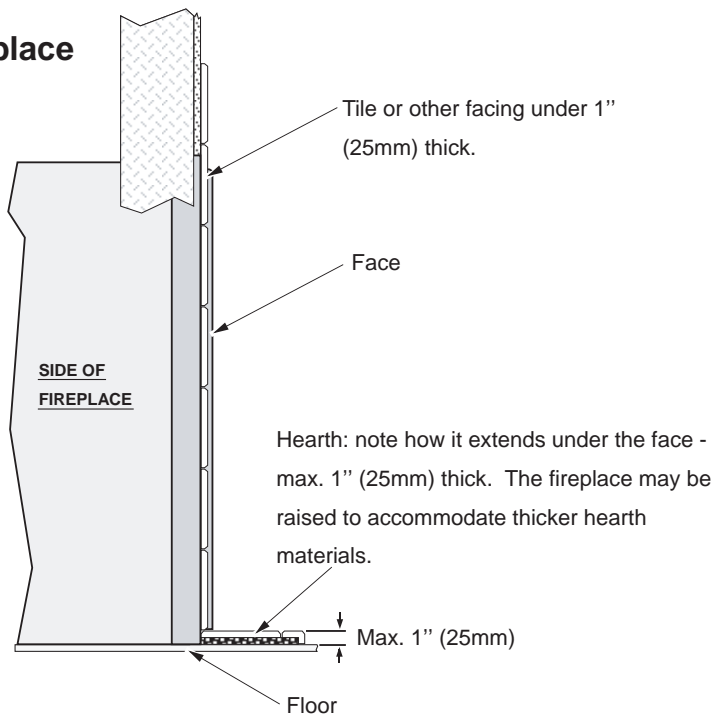


## Thin Facing Installation (tile, marble, under 1" (25mm) thick) — Side View

**Raised Fireplace  
(with no Hearth)**



**Floor-Mounted Fireplace  
(with Hearth)**



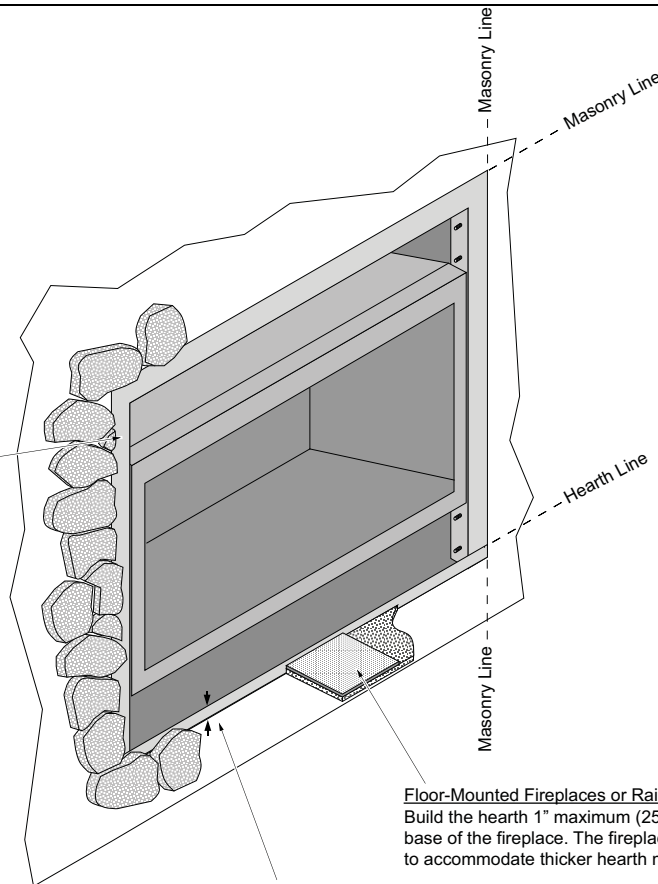


## Thick Facing Installation (stone, brick, or other non-combustible over 1" (25mm) thick)

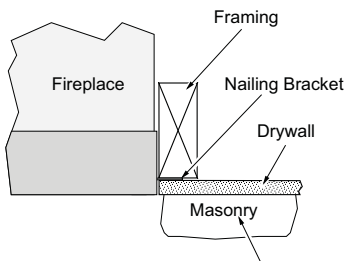


If using a Fireplace Xtordinair (FPX) arched face, see "Thick Facing with a Fireplace Xtordinair Arched Faces" on page 34.

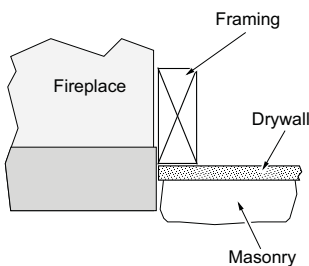
Do not install masonry or other material in front of the fireplace. This area must remain open to install the face.



**TOP VIEW - Protruding Masonry**



**TOP VIEW - Recessed Masonry**

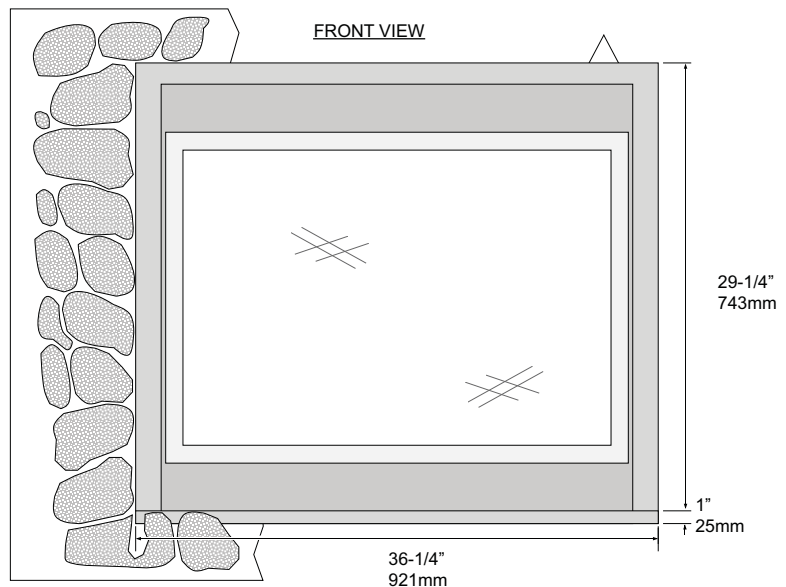


NOTE: The nailing brackets are not used for this type of installation -- secure the fireplace to the floor with the brackets along the base of the fireplace.

**Floor-Mounted Fireplaces or Raised Hearths:** Build the hearth 1" maximum (25mm) above the base of the fireplace. The fireplaces may be raised to accommodate thicker hearth materials.

**Raised Fireplaces:** Masonry is installed 1" (25mm) (maximum) above the base of the fireplace.

**FRONT VIEW**

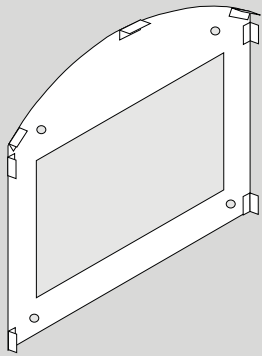


Thick Facing with Fireplace Xtrodinair (FPX) Arched Faces

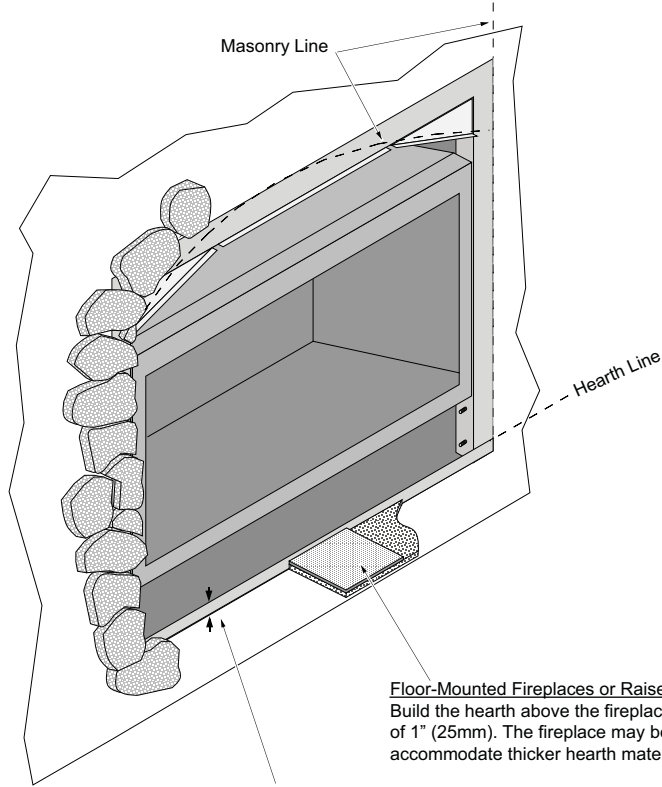
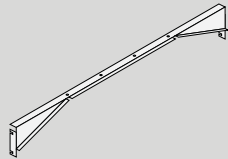


The following illustration shows facing considerations for those fireplaces utilizing FPX arched faces. The facing must be non-combustible and over 1" (25mm) in depth.

The Fireplace Xtrodinair 564 Masonry Template is recommended for masonry installation (sku 98500674). The template helps locate and support the masonry as it is installed.



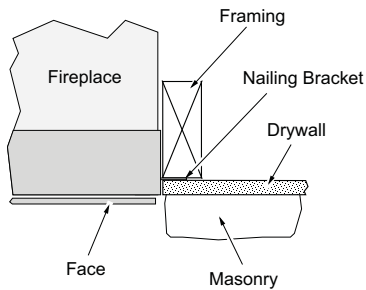
Before installing the masonry, install the FPX FaceUpgrade Kit (98500683). This kit covers the upper corners.



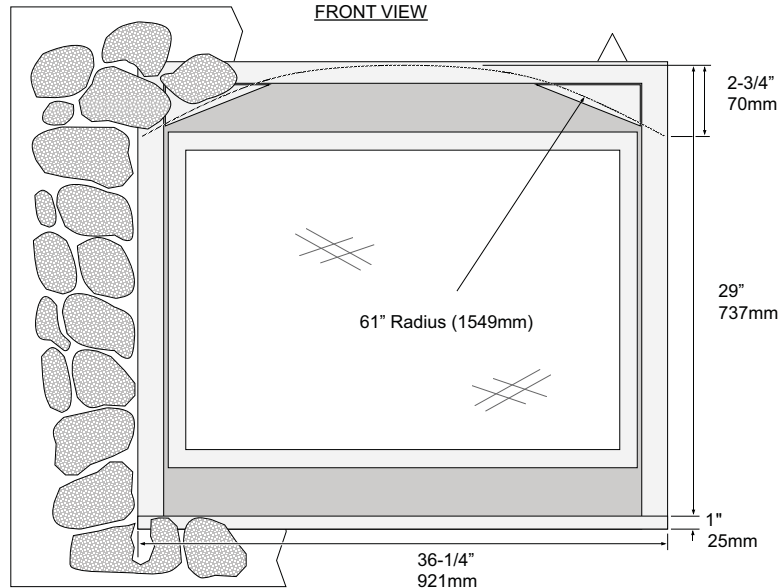
**Floor-Mounted Fireplaces or Raised Hearths:** Build the hearth above the fireplace to a maximum of 1" (25mm). The fireplace may be raised to accommodate thicker hearth materials.

**Raised Fireplaces:** Install the masonry above the base of the fireplace to a maximum of 1" (25mm).

TOP VIEW

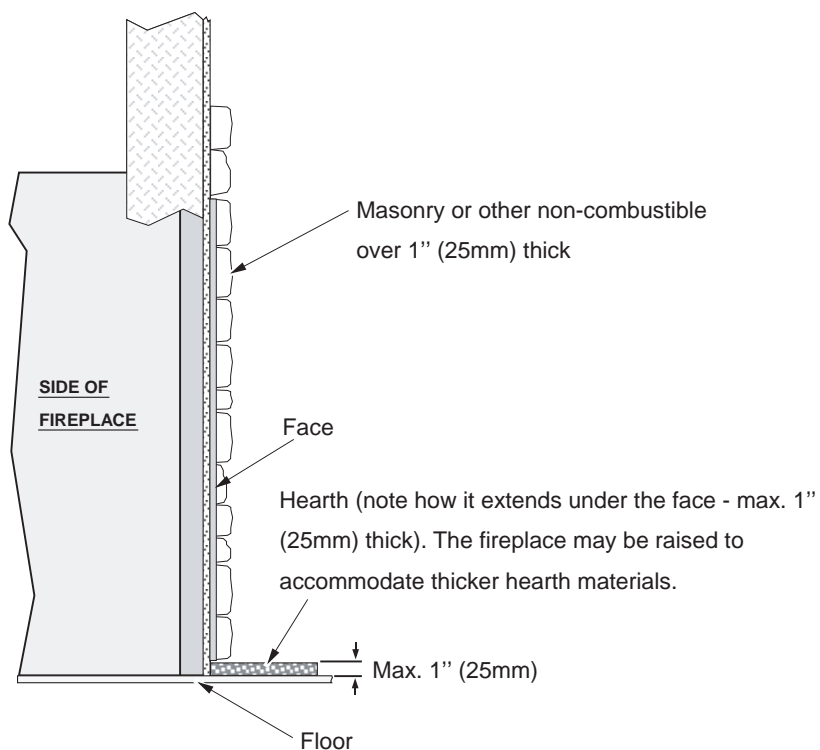


FRONT VIEW

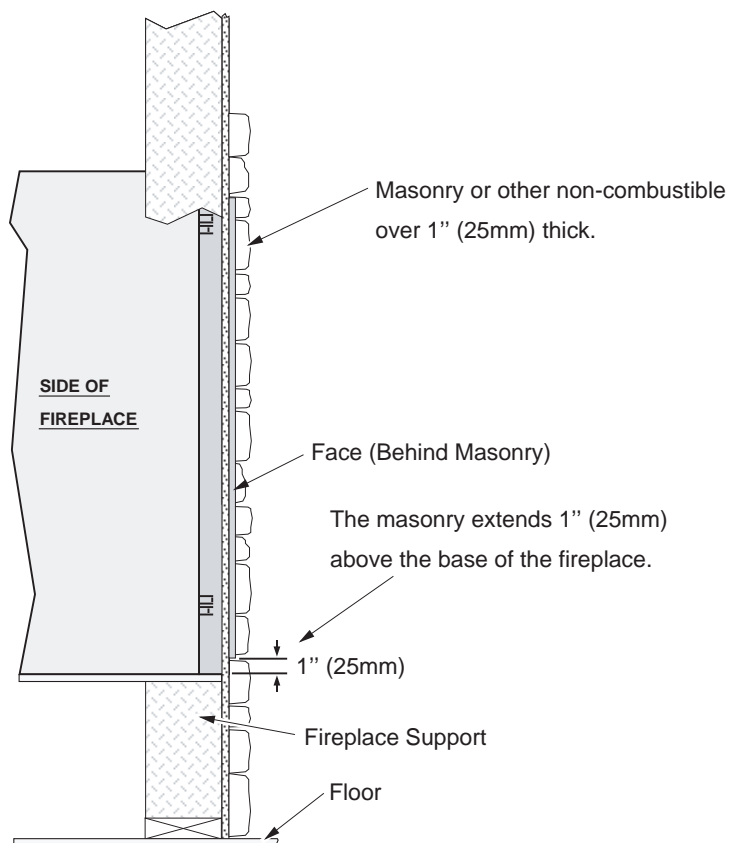


## Thick Facing Installation — Side View

### Floor-Mounted Fireplace (with Hearth)

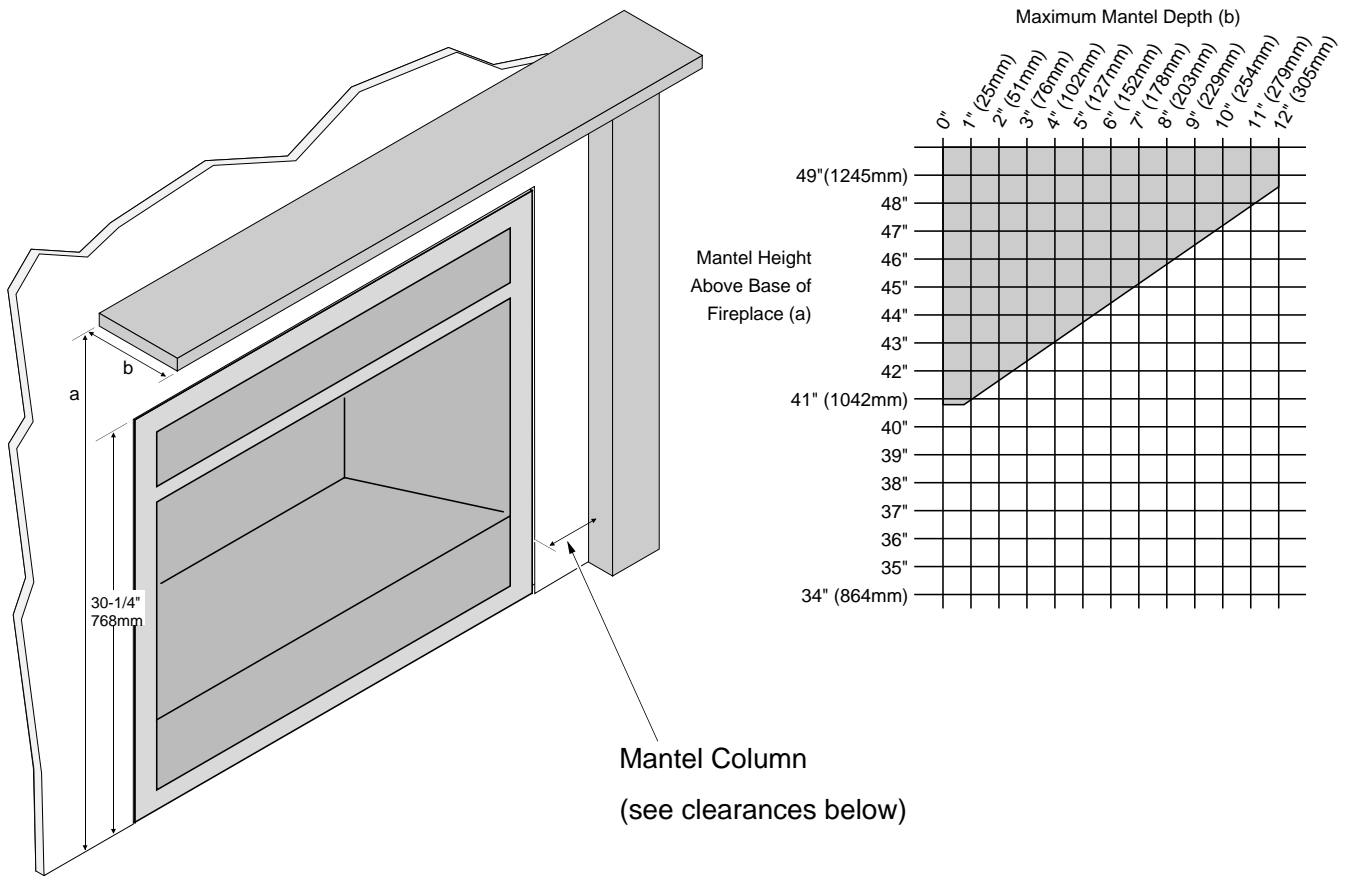


### Raised Fireplace (with no Hearth)



### Mantel Requirements

- Use the table below to determine the maximum mantel depth allowed. The mantel depth (measured from the face of the fireplace) must fall in the shaded portion of the table.
- Any material that protrudes more than 3/4" (19mm) from the non-combustible facing is considered a mantel and must meet the mantel requirements.



**EXAMPLES:**

- You may have a 4" mantel at a minimum 43" above the base of the fireplace.
- At 46", the maximum mantel depth is 8".

### Mantel Column Clearances

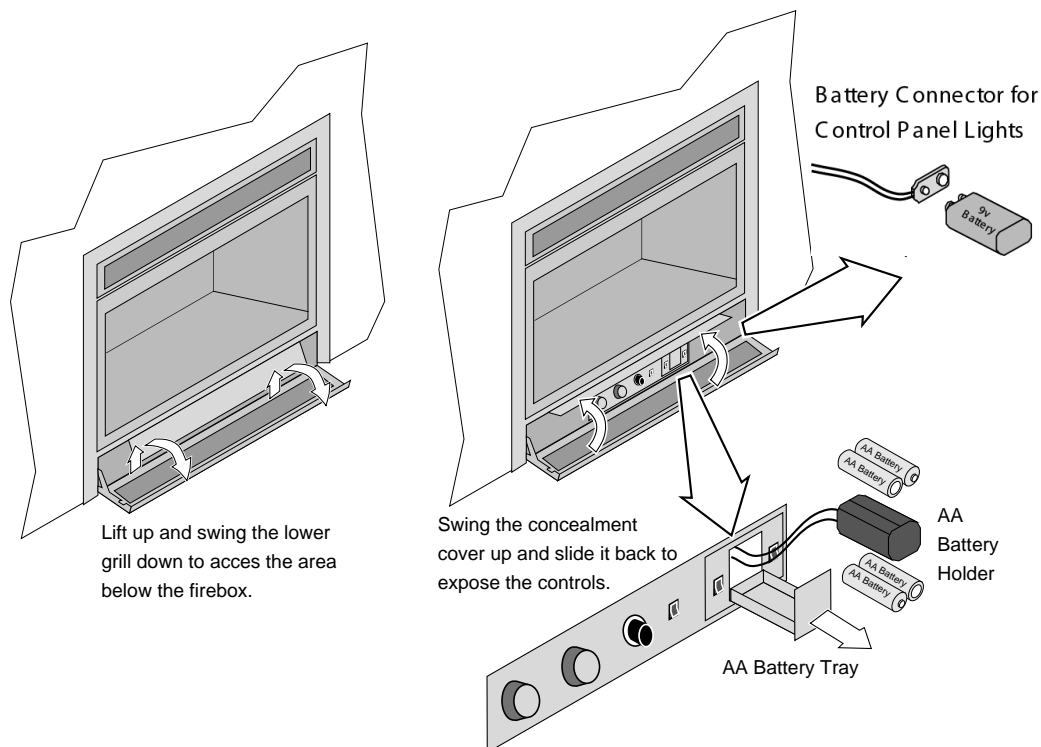
Combustible mantel columns (legs) that protrude more than 3/4" (19mm) from the glass frame require a 5" (127mm) clearance to the glass frame.

Combustible mantel columns (legs) that protrude 3/4" (19mm) or less from the glass frame must meet the facing clearances (minimum 2-1/4" (57mm) clearance to the side of the glass frame).

Non-combustible mantel columns do not have a minimum clearance.

## Steps for Finalizing the Installation

1. Remove the glass (see page 39).  
**NOTE: If using propane (LP) convert the appliance prior to installing the logs.**
2. We recommend you purge the gas line at this time (with the glass removed). This allows gas to be detected once it enters the firebox, ensuring gas does not build up.
3. Make sure the two accent light bulbs are in place.  
**NOTE:** Take care to not touch the bulb with your fingers (use a cloth or paper towel).
4. Install the four AA batteries (included in the owner's pack) into battery holder (see the illustration below). The AA batteries act as a power backup in case the household (AC) power goes out. Install the 9v battery (included in the owner's pack) into control panel light assembly (see the illustration below).

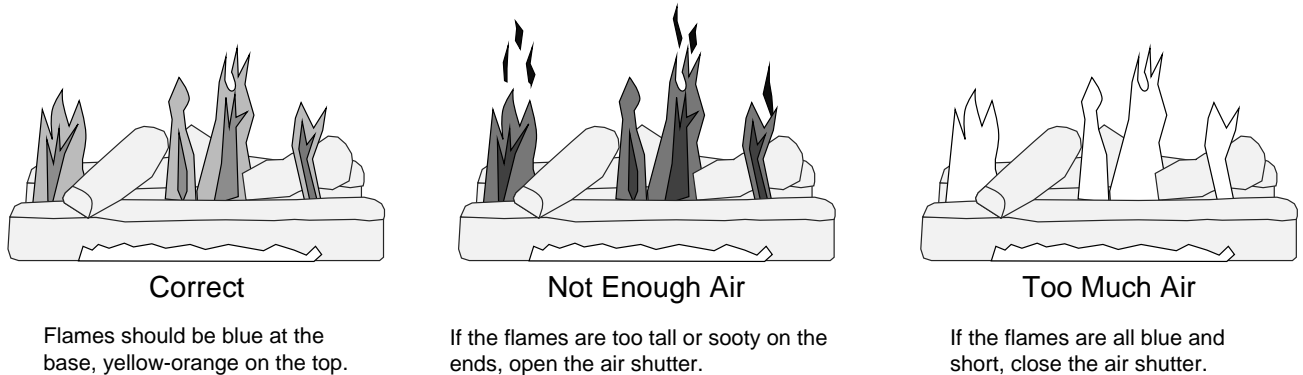


5. Install the Burner/Logs Kit (see the Burner instructions).
6. Replace the glass.
7. Start the heater.
8. Leak test all gas joints.

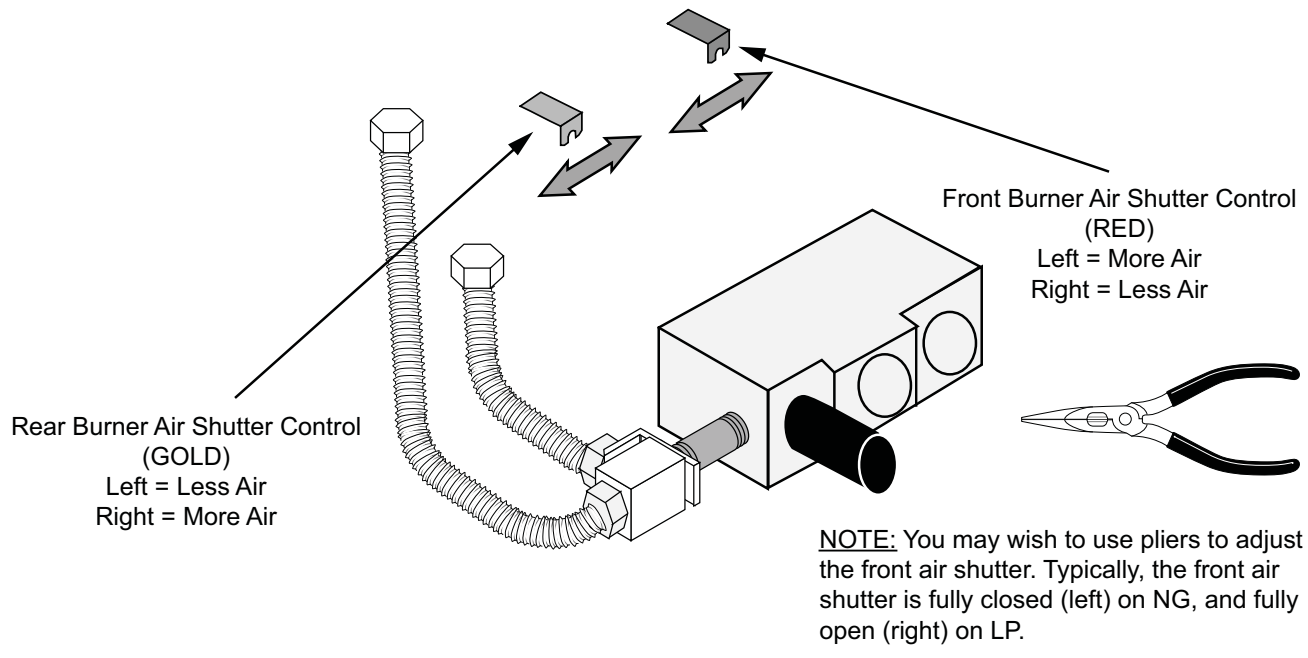
9. Check the air shutter following the directions below.

### Air Shutter Adjustment

Let the heater burn for fifteen minutes (make sure the logs and glass are in place). The flames should be yellow with no sooting. Adjust the air shutter, if necessary, to achieve the correct looking flame.



### Air Shutter Adjustment



10. Turn the flame adjust knob to its highest position - the flames should not contact the top of the firebox. Check the flame on low position. The flames should burn off of each burner hole. If the heater does not work correctly, contact your Travis dealer for a remedy.
11. Give this manual to the home owner for future reference and fully explain operation of this heater. For comprehensive operating and maintenance instructions, refer to the Owner's Manual.

**ACID WASH WARNING:** Before installing the faceplate, make sure any masonry that has been treated with acid wash has been properly neutralized (this is used primarily with brick faces). Acid wash (muriatic acid) is used to remove excess mortar. If not properly neutralized with an ammonia solution, the plated face may develop a permanent tarnish when the acid evaporates over time. Contact your dealer if uncertain your facing has been properly neutralized.

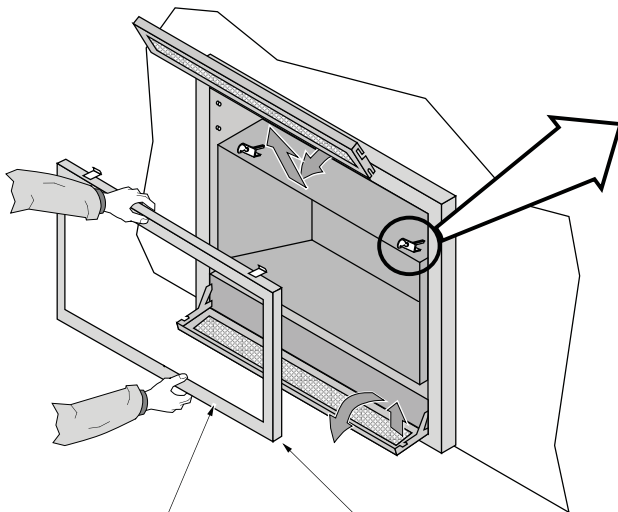
## Glass Frame Removal and Installation

**Warning:** The appliance must be completely cool before removing the glass.

**Warning:** Do not strike or slam the glass.

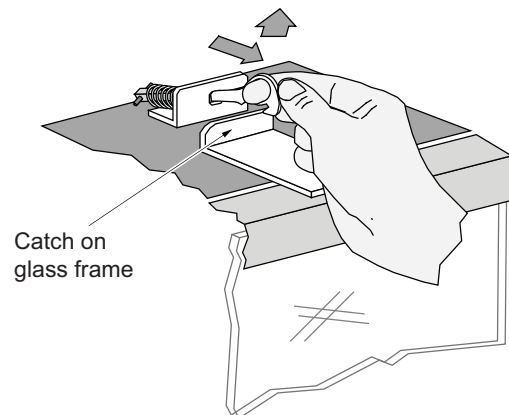
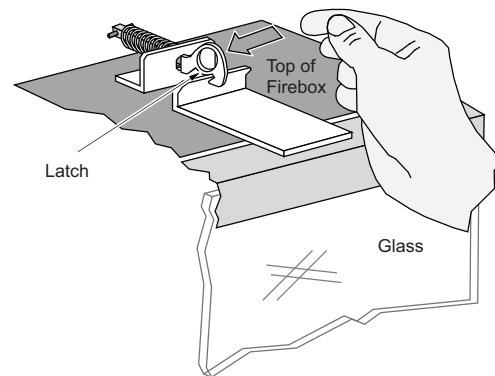
- a** Depending on the face being used, either:
- 1) Swing the access door down and remove the top grill, or
  - 2) Remove the face by unscrewing it or lifting it off -- see the instructions included with the face for details.

Open the 4 latches holding the glass frame in place, starting with the bottom. Follow the instructions shown to the right.



- b** Lift the glass frame up and pull it forward to remove.

**NOTE:**  
You may need to lift the glass frame while re-attaching.



### Re-Attaching the Glass Frame:

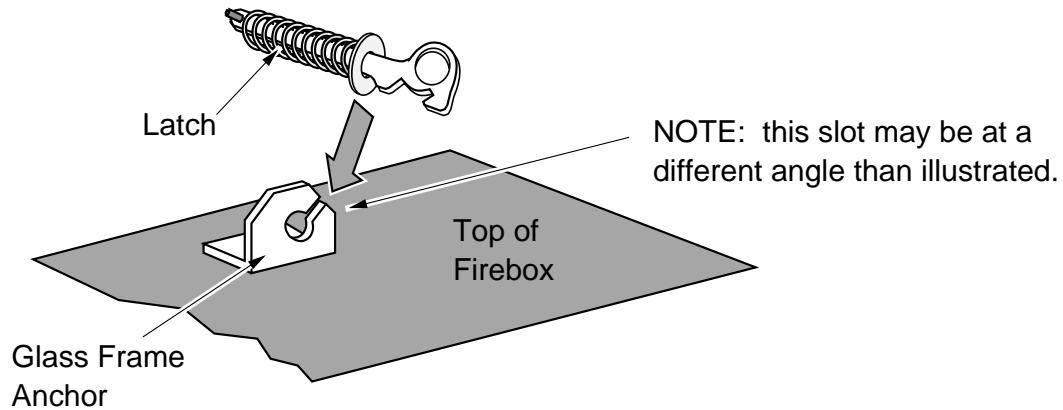
- 1) Hang the glass frame on the firebox.
- 2) While holding the frame in place, attach the upper latches (follow the instructions to the right in reverse).
- 3) Lift the glass frame slightly and attach the lower latches.

**NOTE:** Make sure the glass frame is fully in place -- it should be flush with the front of the fireplace when installed correctly.

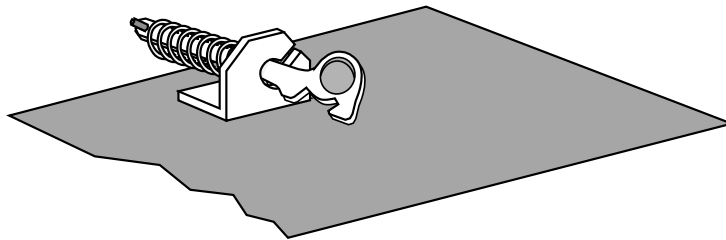
***Glass Frame Removal and Installation (continued)***

The latch can come loose from glass frame anchor. This occurs when it is turned 1/4 turn when it is disengaged. Follow the directions below to re-install the latch if it becomes loose.

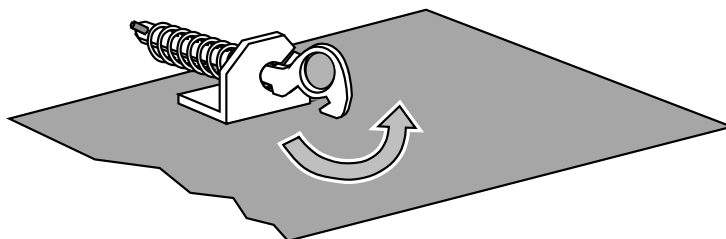
Hold the latch at an angle and insert it into the slot on the glass frame anchor.



Note how the washer on the latch fits behind the flange on the glass frame anchor.



Once fully inserted, turn the latch until it is upright.





## LP Conversion Instructions

### **WARNING**

This conversion kit shall be installed by a qualified service agency in accordance with the manufacturer's instructions and all applicable codes and requirements of the authority having jurisdiction. If the information in these instructions is not followed exactly, a fire, explosion or production of carbon monoxide may result causing property damage, personal injury or loss of life. The qualified service agency is responsible for the proper installation of this kit. The installation is not proper and complete until the operation of the converted appliance is checked as specified in the manufacturer's instructions supplied with the kit.

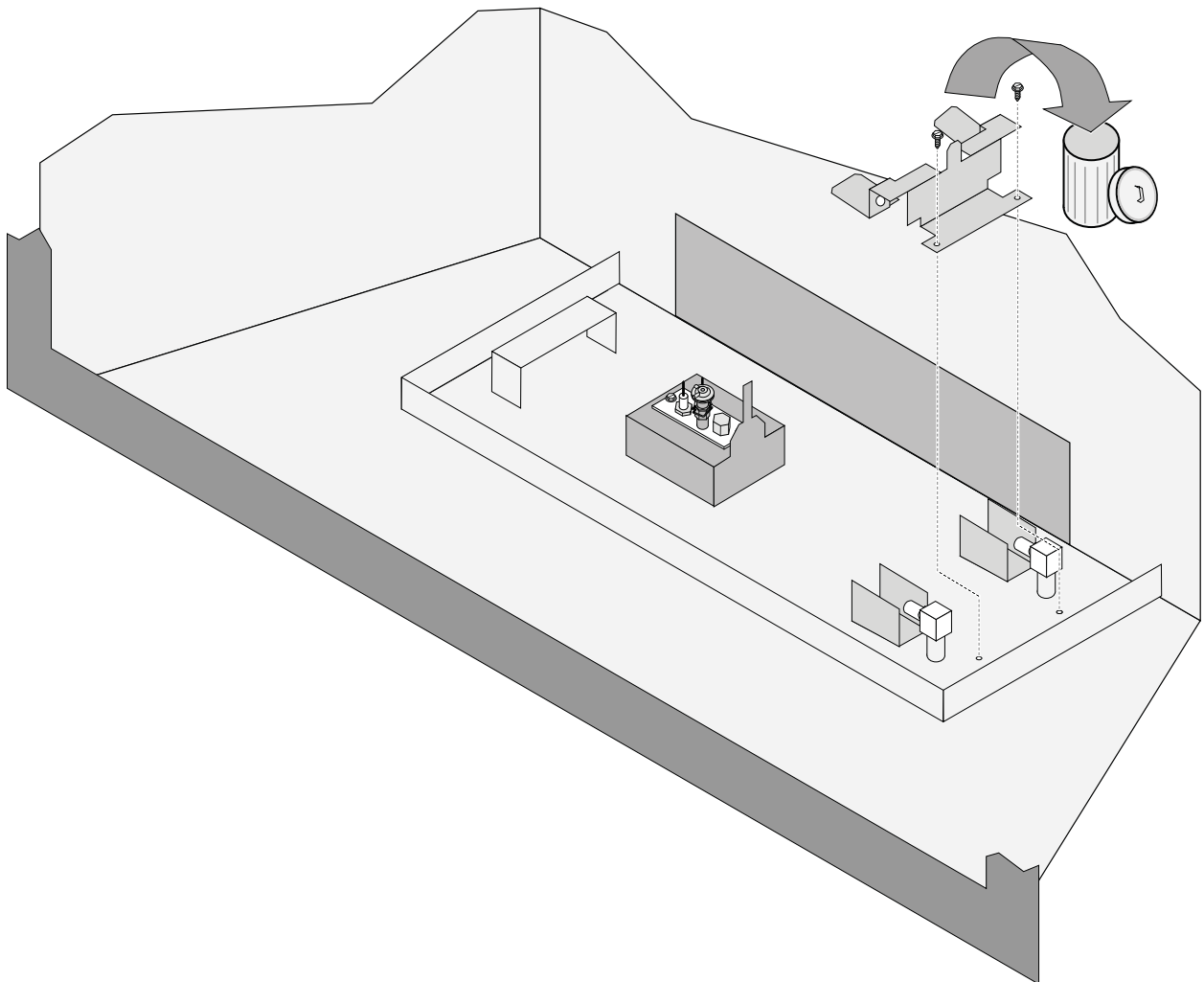


### **Install the LP conversion kit prior to installing the burner.**

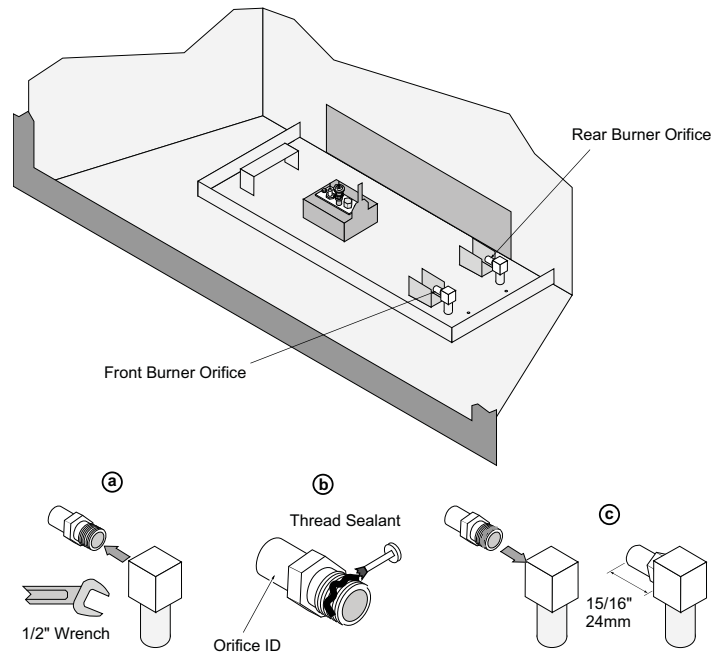
Remove the glass (see page 36).

### **Installation**

1. Remove the burner bracket as shown below.

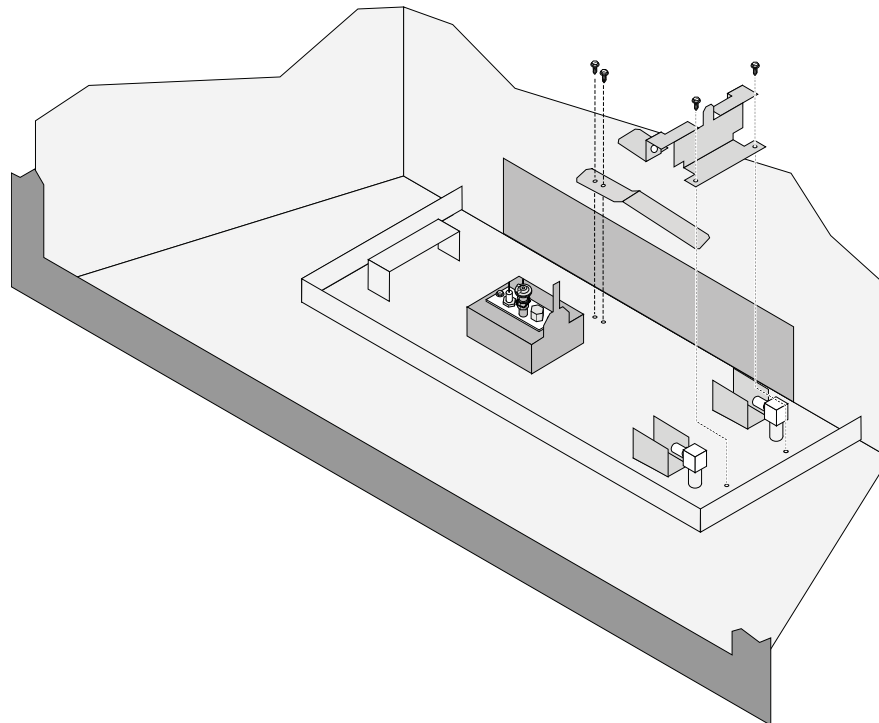


2. Replace the orifices as shown below.

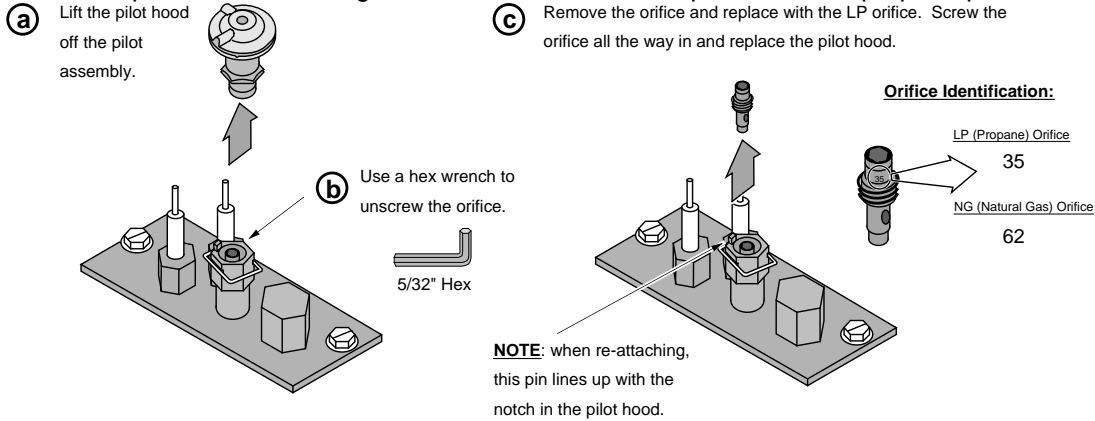


Orifice	Front	Rear
NG	#50	#44
LP	1.1mm	#55

3. Install the LP burner bracket and manifold seal plate as shown below. These components are shipped with the fireplace.



4. Remove the pilot orifice following the instructions below. Replace with the propane pilot orifice.

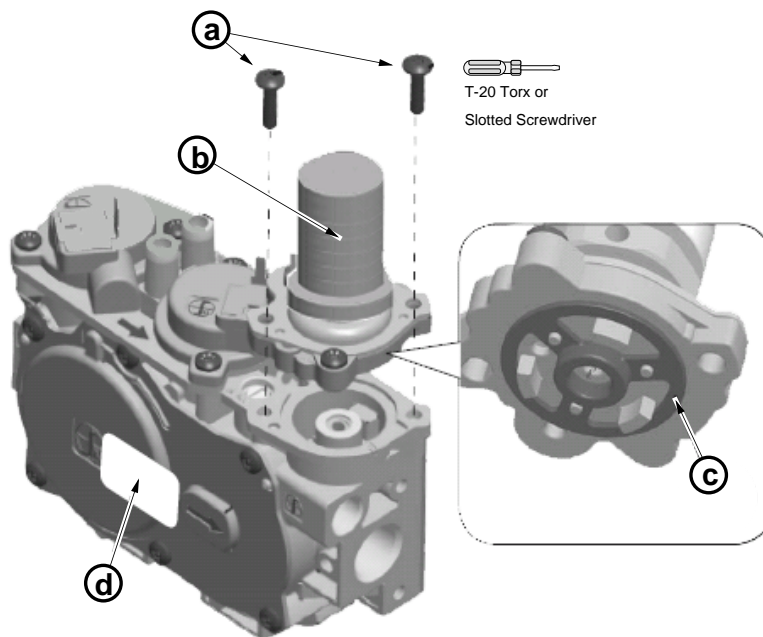


**Figure 1: Pilot Orifice Removal**

5. Remove and discard the screws (see "a" below) holding the stock regulator in place (see "b" below). Remove the stock regulator and gasket (see "c" below). Place the LP regulator in place, making sure the pre-fitted gasket (see "c" below) is in place.

**NOTE:** There is a label on the base of the regulator knob indicating regulator type (NG or LP). Secure the regulator with the screws included with the regulator – tighten to 25 lb.-in of torque (2.82 NM). Place the included label on the valve body where it can be easily seen to insure proper identification.

**NOTE:** Leak test this area after the heater is installed, gas is connected, and the main burner is lit.



**Figure 2: LP Regulator Placement**

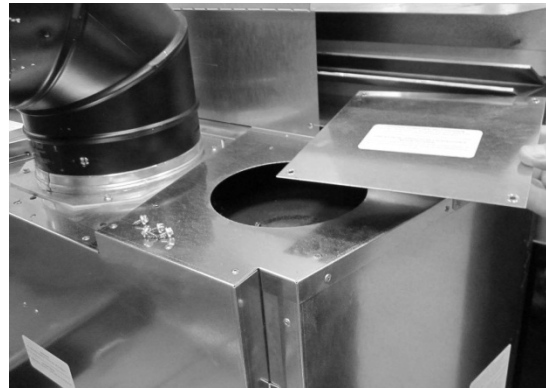
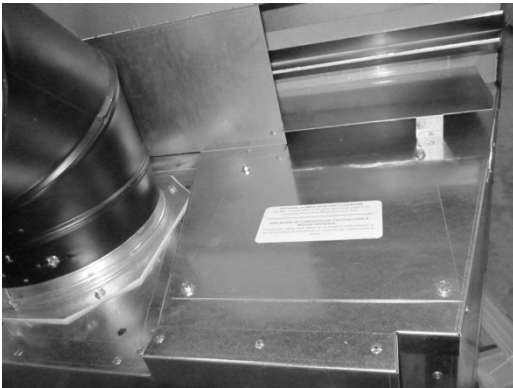
6. **Install the burner (see the instructions included with the burner).** Replace the glass and restore the fireplace to the correct configuration.

### ***Attaching the Power Heat Duct to the 564 HO***

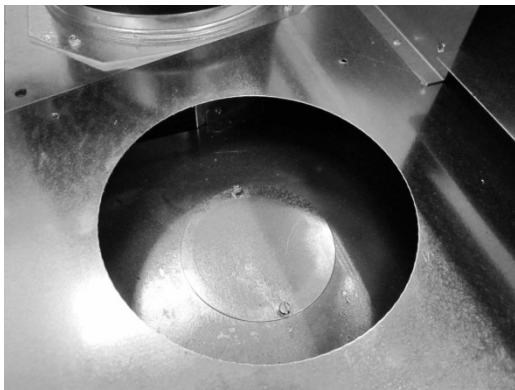
One or two optional power heat ducts (sku 98500769) may be attached to the 564 HO. The ducting is attached to the top of the fireplace (left or right side). See the directions below for removing the power heat duct covers.

#### **Power Heat Duct Covers**

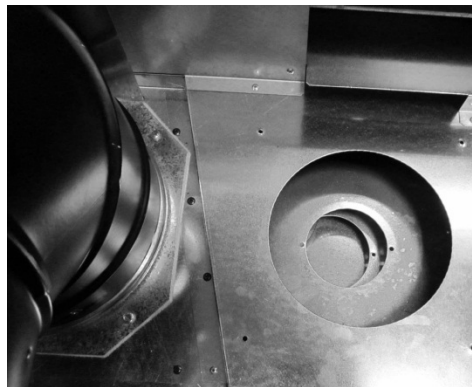
1. Remove the outer heat duct plate (4 screws - see picture below).



2. Remove the inner heat duct plate (2 screws – see picture below).

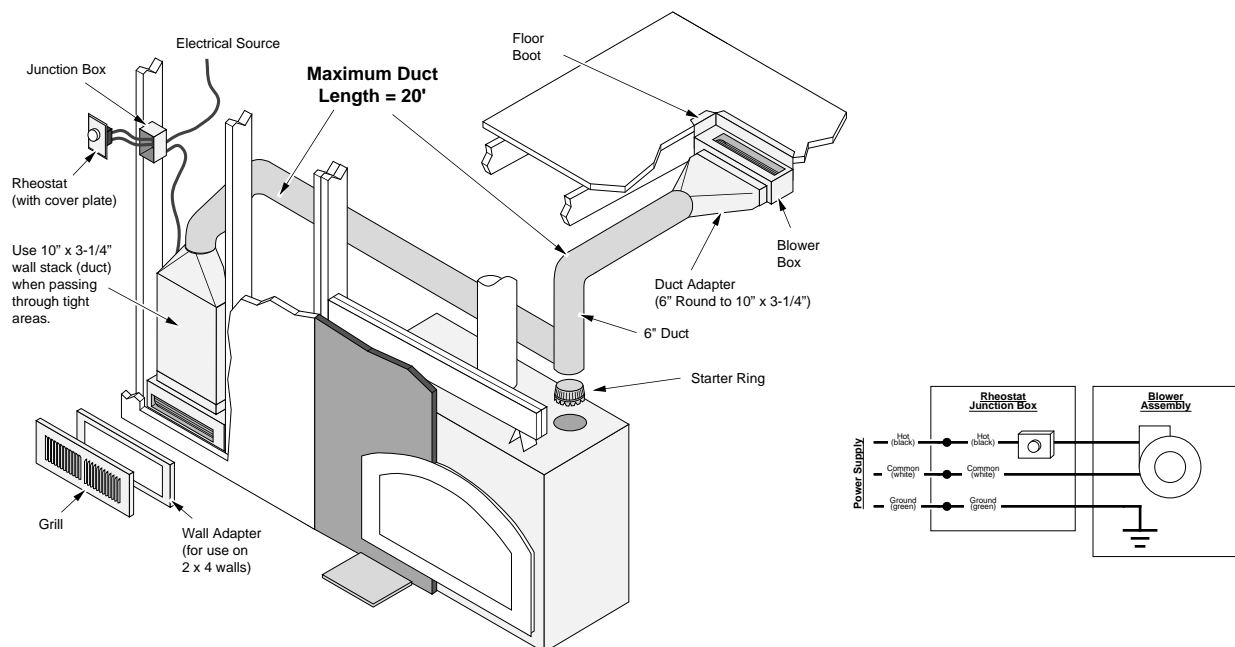


- Remove the screw on the lower duct plate and rotate it away to allow air to flow from the lower convection channel (see pictures below). NOTE: This plate is not removed, it is swiveled out of the way – use a screwdriver, if necessary to rotate the plate.



## Installing the Power Heat Duct with the 564 HO

The power heat duct must be installed in accordance with the instructions included with the kit and all local codes. See the illustration below for an overview

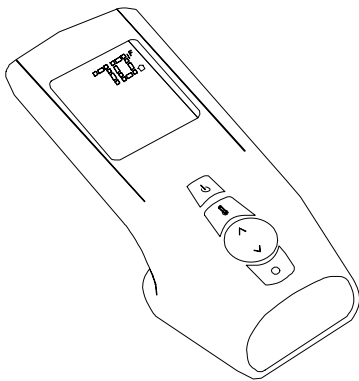


## GreenSmart™ Remote Control Installation

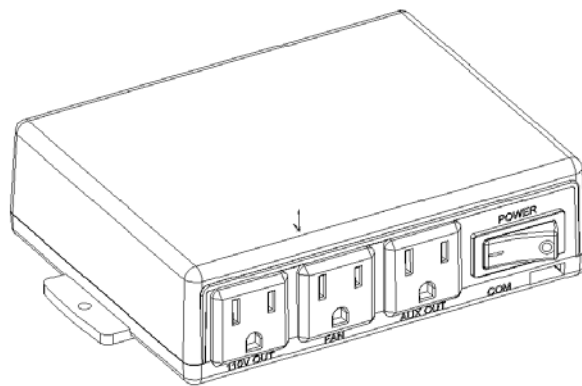
### Packing List

- Transmitter
- Receiver (with Cover Plate & Switch)
- Fan Control Module
- Velcro
- LP or NG Stepper Motor (with screws and label - attaches to Valve)
- Wire Harness
- (2) Power Leads
- (4) AA Batteries (inside receiver box)
- (2) #8 x 1/2" Machine Screws
- (2) Wire Ties
- Torx T-20 Wrench
- Wall Mount (for placing the transmitter on a wall)
- (2) Drywall anchors (for wall mount)
- (2) #8 x 3/8" Type B Screws

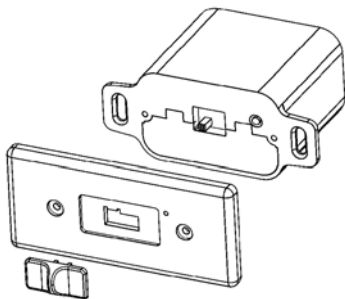
### Transmitter



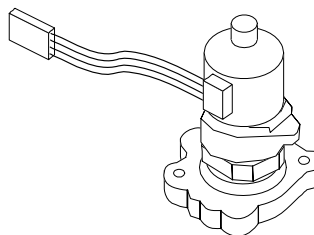
### Fan Control Module



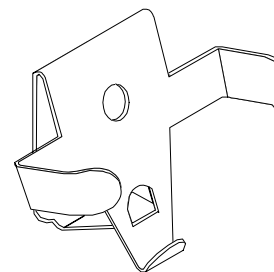
### Receiver



### Stepper Motor



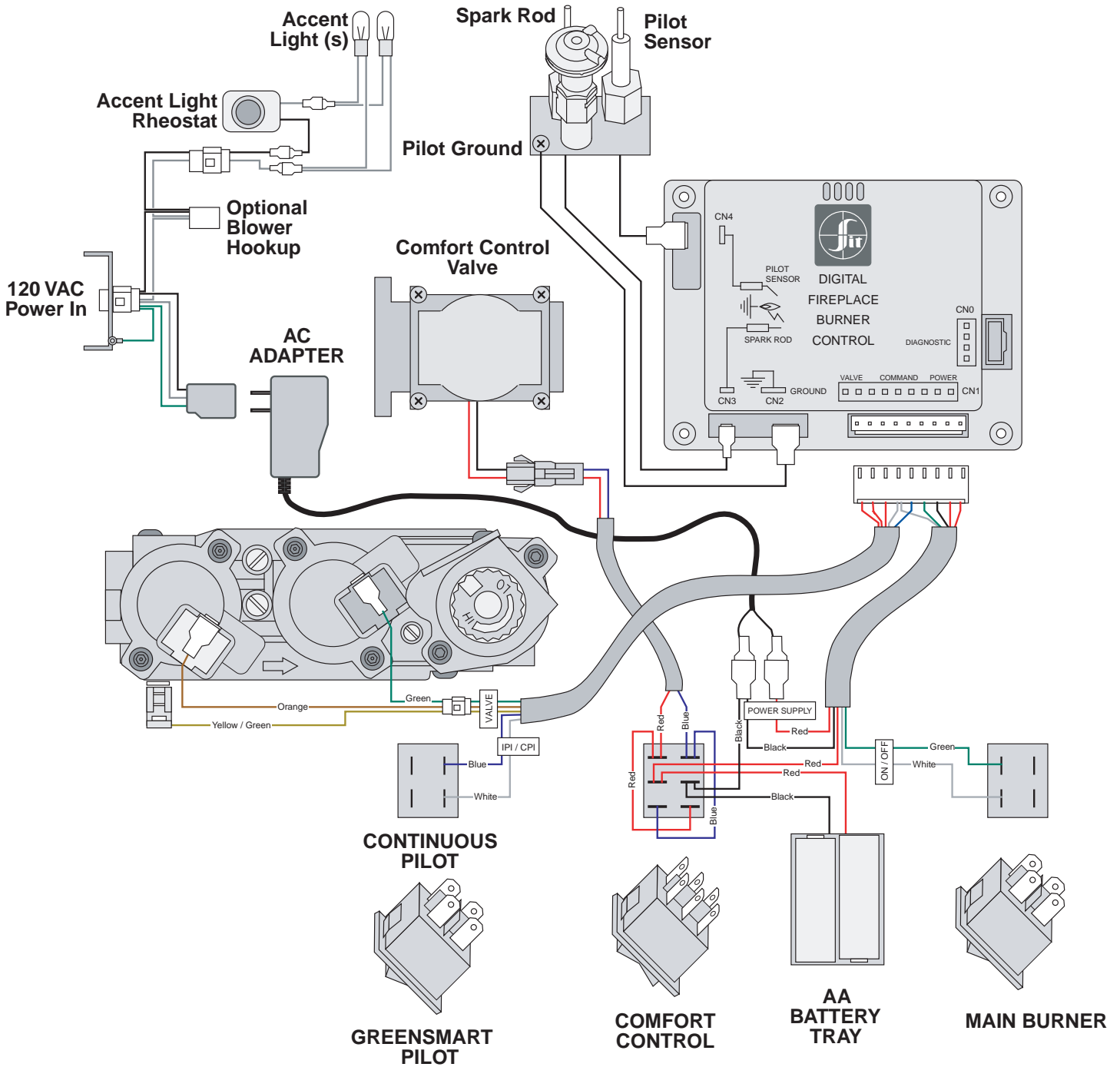
### Transmitter Wall Mount



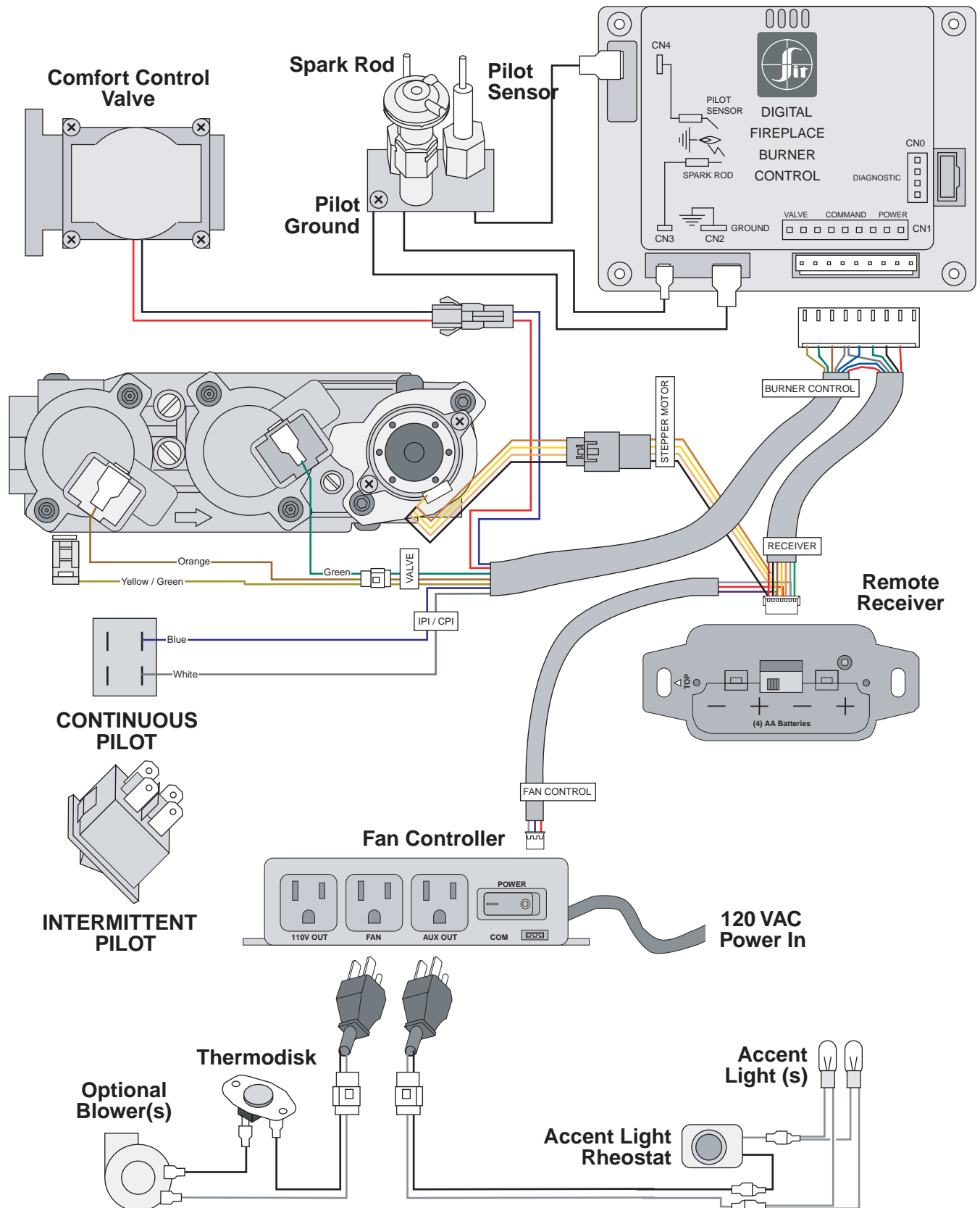
## Overview

The GreenSmart remote installs onto a 564 fireplace and replaces the stock wiring harness. Before installing, familiarize yourself with the stock and updated wiring diagrams (see the illustrations on this page and the following page).

## Stock Wiring Diagram



GreenSmart Wiring Diagram





## Installation

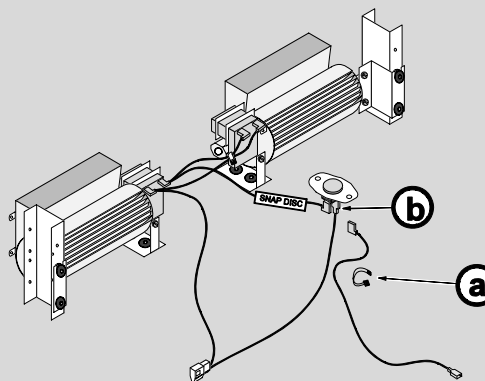
**WARNING:** Make sure power to the fireplace has been shut off prior to installation.

**NOTE:** Refer to the wiring diagram on page 62 while making wiring harness connections.

### Special Instructions for this Fireplace

If using the Greensmart™ remote, the blower included with this fireplace should be attached to a power lead (included with the remote) and connected to the Fan Controller (see wiring diagram on previous page). See the remote installation instructions for further details. In addition, bypass the blower rheostat following the directions below.

***Bypassing the Rheostat*** - In addition, you will need to bypass the rheostat (the remote controls the blower). This is done by disconnecting and discarding the electrical line that leads from the snap disk to the rheostat (carefully remove the wire tie from the wiring harness – see “a”). Attach the lead from the power input to the snap disk (see “b”).



- 1 Remove the concealment cover (see Figure 3).

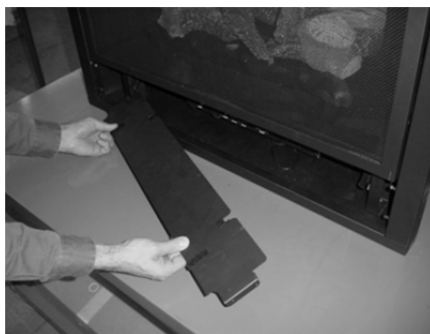


Figure 3

- 2 Unscrew the four screws holding the control cover in place (see Figure 4). Carefully remove the control cover (see Figure 5)



Figure 4



Figure 5

- 3 Unplug the ac adapter from the power harness (see Figure 6). You can leave the ac adapter plugged into the wiring harness.

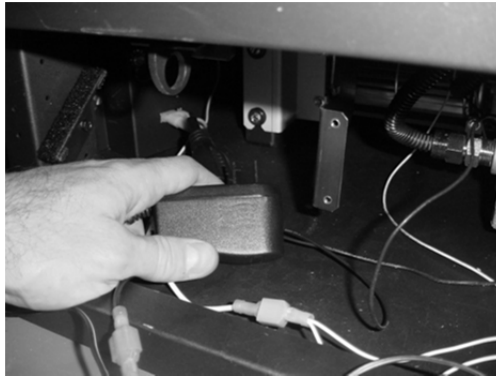


Figure 6

- 4 Disconnect the molex connector leading to the gas control valve (see Figure 7).  
**WARNING:** The tabs on the gas control valve are fragile. Take care when removing the molex connector to not pull or damage the wires or tabs.

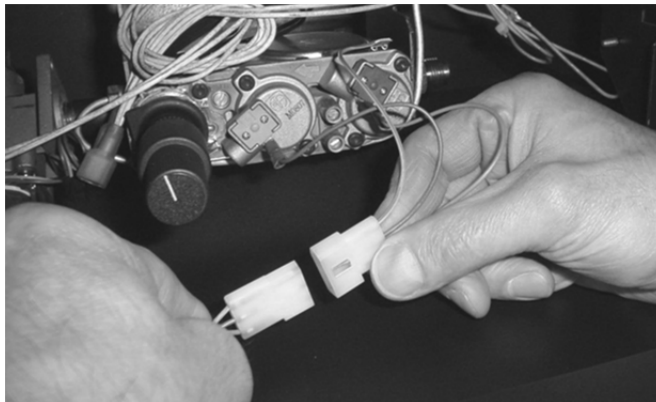


Figure 7

- 5 Disconnect the two leads on the back of the control panel for the IPI / CPI switch (continuous pilot / greensmart pilot – see Figure 8).

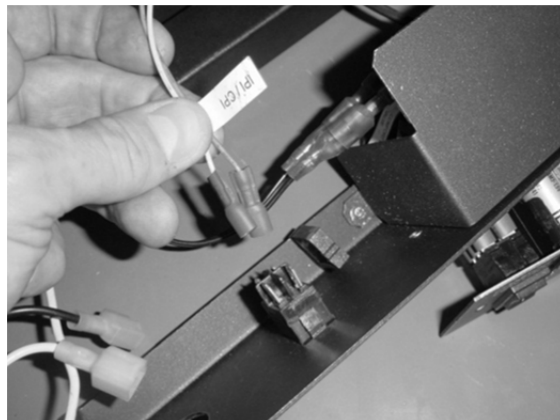


Figure 8

- 6 Disconnect the comfort control valve connection (see Figure 9). Disconnect the burner control connector from the fireplace burner control (see Figure 10).

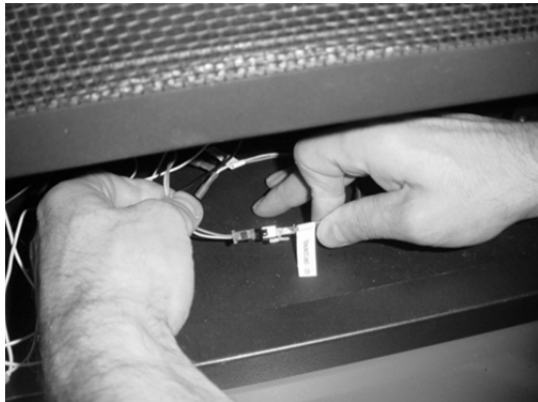


Figure 9

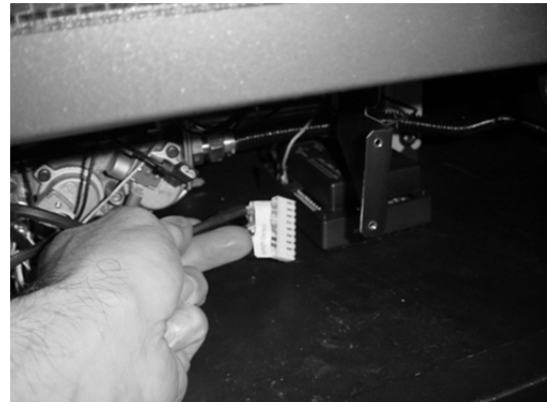


Figure 10

- 7 Unscrew the on/off/battery plate from the control panel (see Figure 11). Pull the plate and wiring forward (see Figure 12).



Figure 11

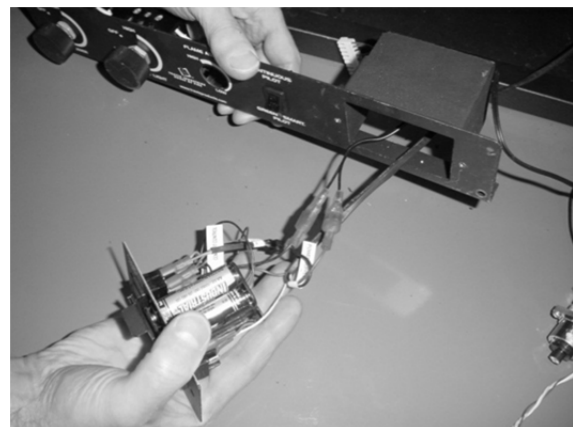


Figure 12

- 8 The control panel has plastic wire-locks attached to the back (see Figure 13). Un-hook the wires from the wire-locks and remove the wiring harness, plate, battery holder, and ac adapter (see Figure 14). These items may be discarded.

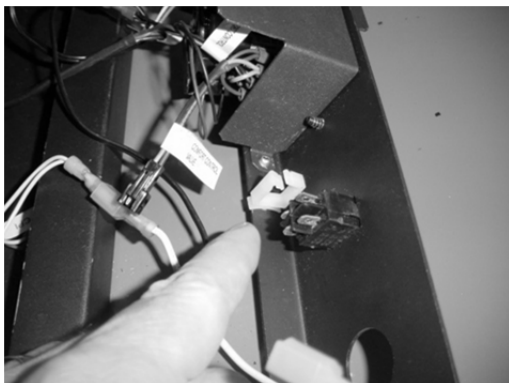


Figure 13

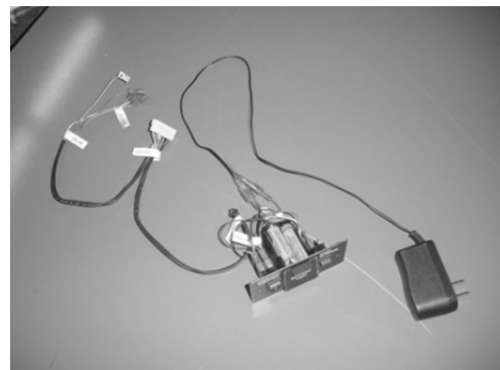


Figure 14

- 9 Use the included torx wrench to remove the stock regulator (see Figure 15). These items may be discarded.

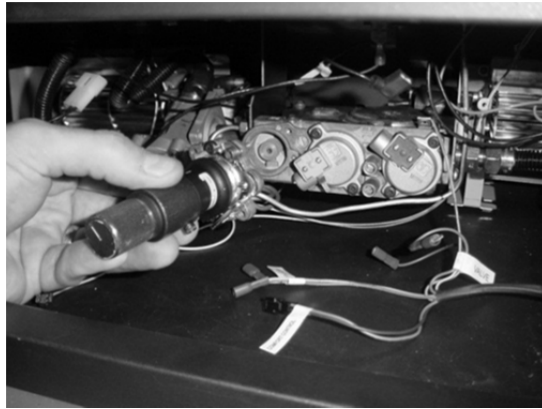


Figure 15

- 10 The stepper motor (adjustable regulator) has an installation sheet included with it – make sure to follow all of the directions. Place the stepper motor on the gas control valve (see Figure 16) – **MAKE SURE IT IS CORRECTLY ORIENTED**. Secure using the screws included with the motor (see Figure 17) – tighten to 25 Lb-inches. Leak test this area after installation to verify proper installation.

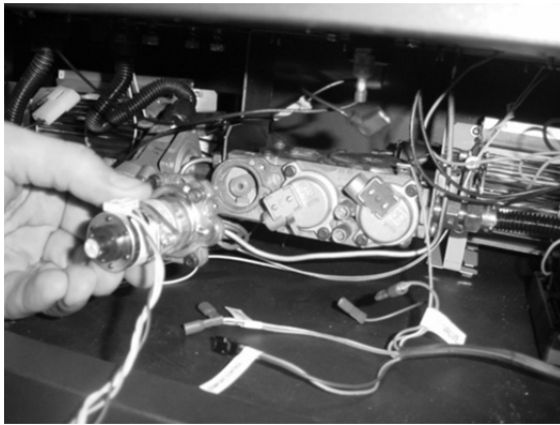


Figure 16

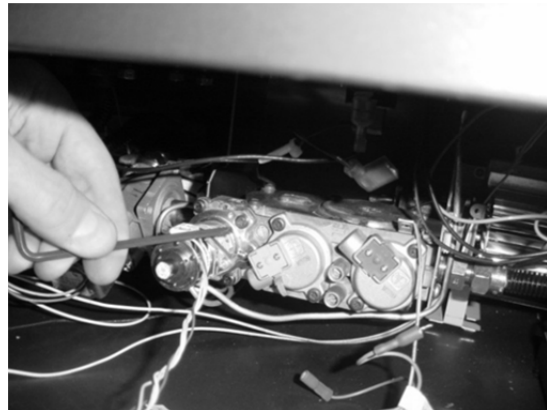


Figure 17

- 11 Place the GreenSmart wiring harness in front of the fireplace, noting the position of each connector (see Figure 18).

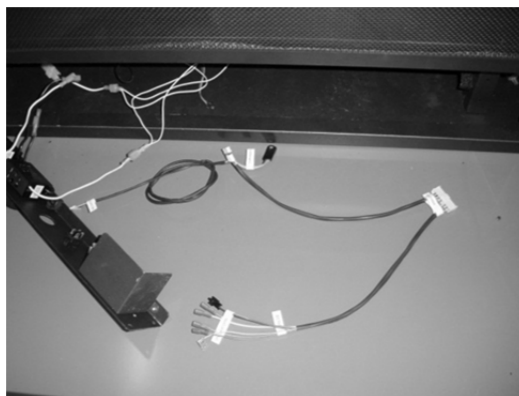


Figure 18

- 12 Attach the wiring harness to the burner control (see Figure 19). Attach the gas control valve moxex connector (see Figure 20).

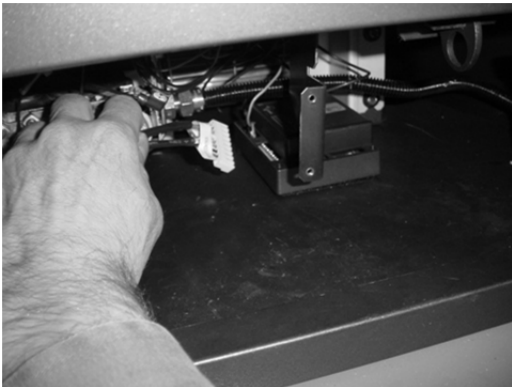


Figure 19

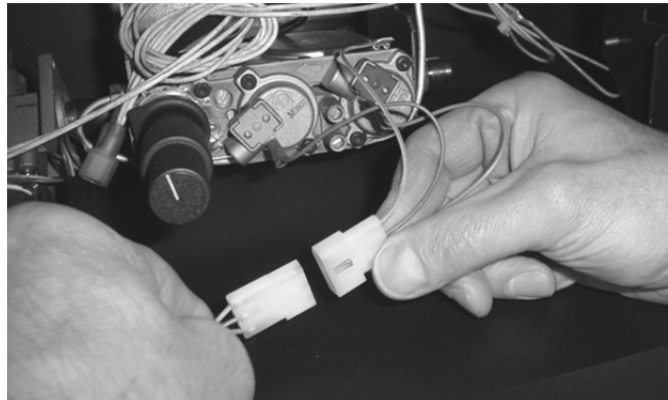


Figure 20

- 13 Attach the blue and white wires to the IPI/CPI switch (see Figure 21). Connect the wiring harness to the stepper motor (see Figure 22).

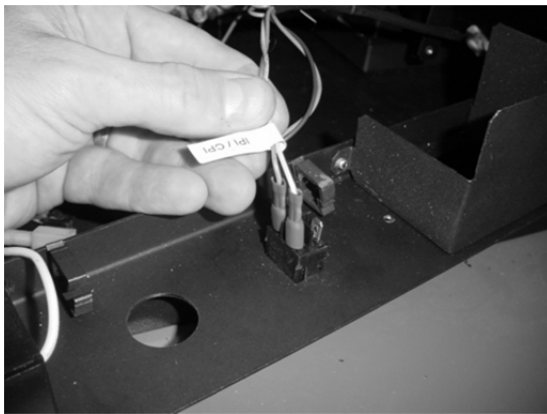


Figure 21

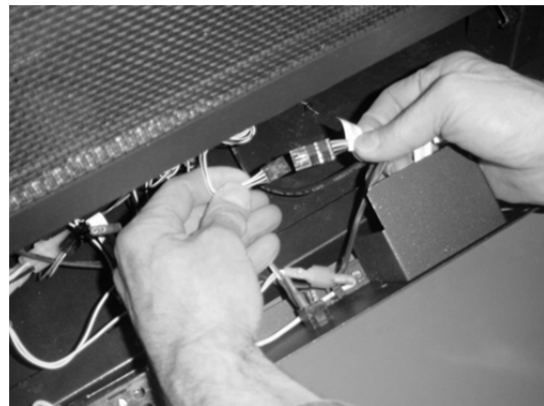


Figure 22

- 14 Attach the wiring harness to the comfort control valve connection (see Figure 23).

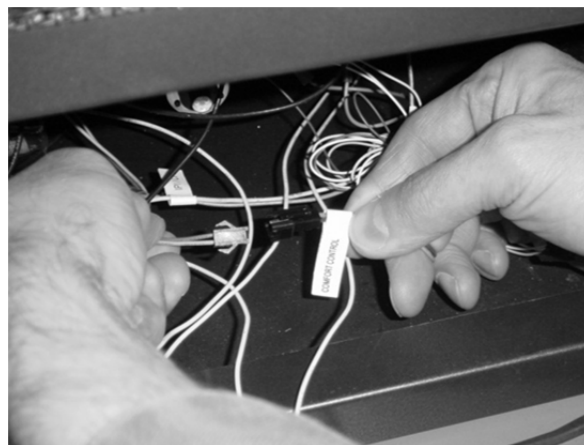


Figure 23

- 15 Place the fan controller near the front of the fireplace to the left and connect it to the wiring harness (see Figure 24). Attach the power cord from the fan controller to the AC connection (see Figure 25). **MAKE SURE TO TURN THE FAN CONTROLLER ON** ("-" SYMBOL).



Figure 24



Figure 25

- 16 Disconnect the power lead from accent light and connect it to the power lead included with this kit (see Figure 26). Attach the power lead to the fan controller in the "AUX OUT" receptacle (see Figure 27).

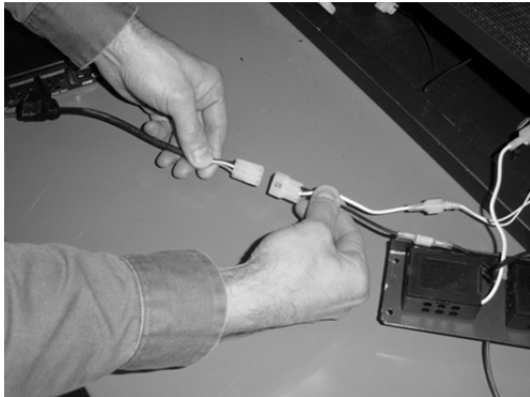


Figure 26

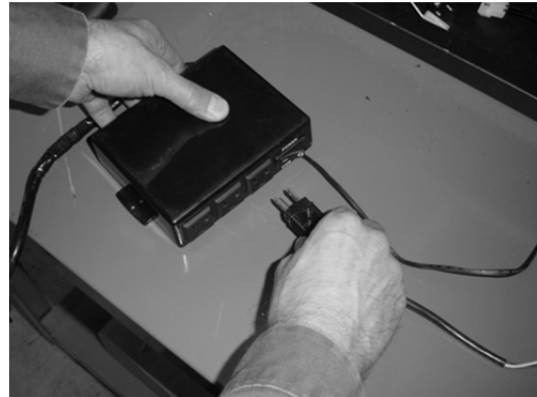


Figure 27

**NOTE:** If using the optional fan, you will want to disconnect its power lead and connect it to the extra power lead included with this kit, then connect it to the "FAN" receptacle on the fan controller.

- 17 Attach the included velcro to the bottom of the fan control module and to the base of the fireplace near back left of the fireplace. Slide the fan controller into place and secure using the velcro (see Figure 28).



Figure 28

- 18 Pull the "RECEIVER" connector through the control panel and attach to the receiver (see Figure 29). Then attach the receiver to the control panel with the two #8 machine screws (see Figure 30).

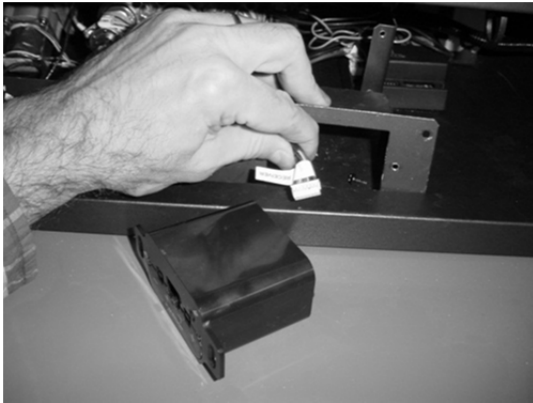


Figure 29



Figure 30

- 19 Place batteries into the receiver and transmitter (see Figure 31). Calibrate the receiver to the transmitter (see Figure 32 - use a paperclip to press the "PRG" button, let it beep, then press any button on the transmitter - the receiver should beep 5 times - see the operating instructions for further details).



Figure 31



Figure 32

- 20 Place the receiver coverplate (and switch) over the receiver (see Figure 33) and attach with the two screws included with the receiver (see Figure 34)



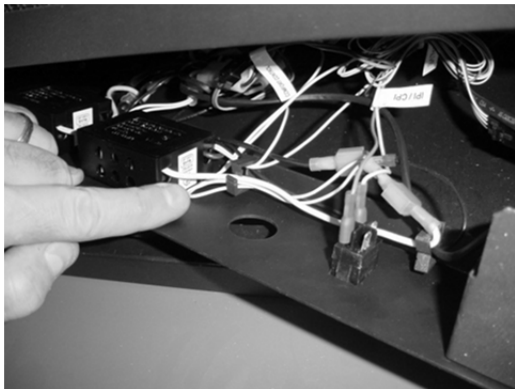
Figure 33



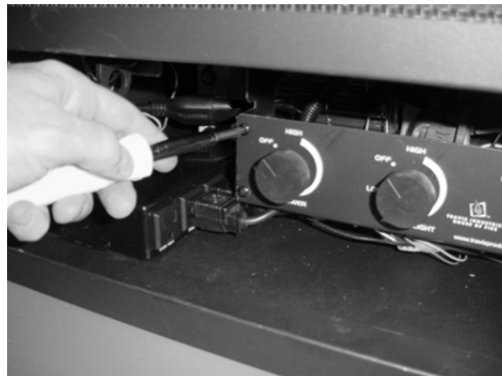
Figure 34



- 21 Clip any excess wiring into the wire clips on the back of the control panel (see Figure 35). Use the included wire ties, if necessary, to keep all wiring from contacting any hot or moving components. Re-attach the control panel (see Figure 36) and shroud (see Figure 3).

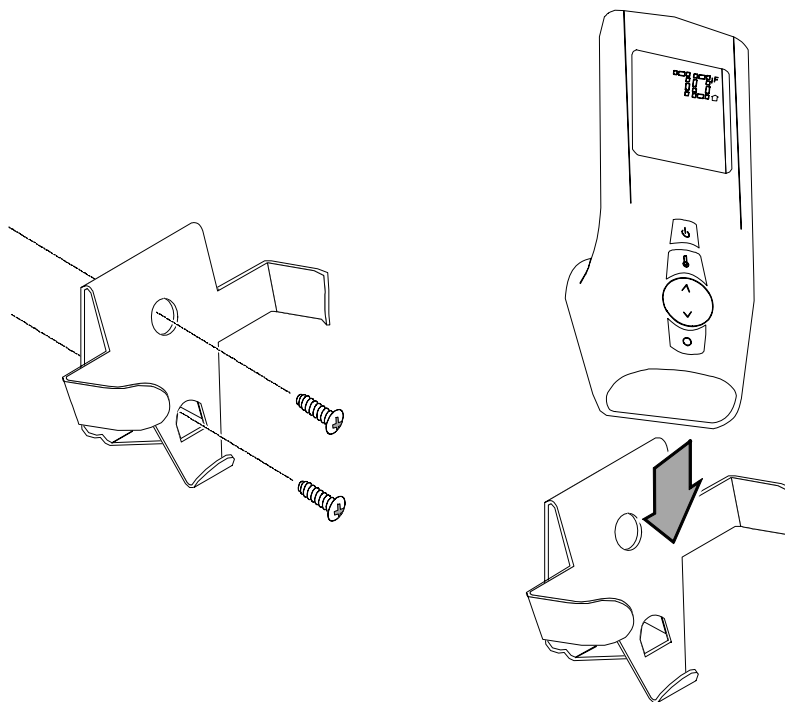


**Figure 35**



**Figure 36**

- 22 A wall mount is included with this kit for the remote. It may be mounted to the wall for easy access and storage. Use the included drywall anchors (and screws) to secure it to the wall (see Figure 37).



**Figure 37**

- 23 Restore power to the fireplace and test operation of the remote (see the instructions included with the remote).

## Index

Additional Items Required .....	7	Minimum Framing Dimensions .....	11
Air Shutter Adjustment .....	38	Nailing Brackets .....	12
Altitude Considerations .....	18	Overview .....	2
Approved Vent Configurations .....	20	Packing List.....	7
Approved Vent .....	19	Raised Fireplaces .....	10
Clearances .....	10	Recommended Installation Procedure .....	8
Corner Installations .....	13	Restrictor Position.....	20
Diffuser Plate Adjustment.....	22	Safety Precautions.....	4
Dimensions .....	6	Thick Facing Installation with FPX Arched Faces	34
Electrical Connection (required).....	16	Thick Facing Installation .....	33
Exhaust Restrictor Adjustment.....	20	Thin Facing Installation .....	31
Facing Overview .....	30	Vent Configurations with Horizontal Termination	23
Facing Requirements .....	29	Vent Configurations with Vertical Termination.....	24
Features .....	6	Vent Clearances .....	18
Fireplace Placement Requirements.....	10	Vent Installation .....	19
Fuel .....	14	Vent Requirements .....	18
Gas Inlet Pressure .....	14	Optional Wall Switch or Thermostat Installation..	17
Gas Line Connection.....	14		
Gas Line Location .....	14		
Gas Line Requirements .....	14		
Glass Frame Removal and Installation .....	39		
Hearth Requirements .....	28		
Heating Specifications.....	6		
Index.....	58		
Installation Options.....	6		
Intake Restrictor Adjustment.....	21		
Listing Details .....	2		
Mantel Requirements .....	36		