



## TRAVIS INDUSTRIES HOUSE OF FIRE

# 31 DVI Gas Insert Owner's Manual

Tested and Listed by



OMNI-Test Laboratories, Inc.  
Portland, Oregon  
Report # 028-F-73-5  
ANSI Z21.88



- Direct Vent Fireplace Insert
- Masonry or Factory Built (Metal) Wood-Burning Fireplace
- Residential or Mobile Home

**WARNING:** If the information in these instructions is not followed exactly, a fire or explosion may result causing property damage, personal injury or loss of life.

- Do not store or use gasoline or other flammable vapors and liquids in the vicinity of this or any other appliance.

### WHAT TO DO IF YOU SMELL GAS

- Do not try to light any appliance.
- Do not touch any electrical switch; do not use any phone in your building.
- Immediately call gas supplier from a neighbor's phone. Follow the gas supplier's instructions.
- If you cannot reach your gas supplier, call the fire department.
- Installation and service must be performed by a qualified installer, service agency or the gas supplier.

This appliance may be installed in an aftermarket permanently located, manufactured home (USA only) or mobile home, where not prohibited by local codes.

This appliance is only for use with the type(s) of gas indicated on the rating plate. A conversion kit is supplied with the appliance.



**Installer:** After installation give this manual to the home-owner and explain operation of this heater.

**Travis Industries, Inc.**

[www.travisproducts.com](http://www.travisproducts.com)

© Copyright 2010, T.I.

\$10.00

100-01235\_000

4100322

4800 Harbour Pointe Blvd. SW  
Mukilteo, WA 98275

## Introduction

We welcome you as a new owner of a 31 DVI Insert. In purchasing this fireplace insert you have joined the growing ranks of concerned individuals whose selection of an energy system reflects both a concern for the environment and aesthetics. It is one of the finest home heaters the world over. This manual will explain the installation, operation, and maintenance of this heater. Please familiarize yourself with the Owner's Manual before operating your heater and save the manual for future reference. Included are helpful hints and suggestions that will make the operation and maintenance of your new heater an easier and more enjoyable experience. We offer our continual support and guidance to help you achieve the maximum benefit and enjoyment from your heater.

## Important Information

No other 31 DVI Insert has the same serial number as yours. The serial number is below and to the left of the gas control valve.

This serial number will be needed in case you require service of any type.

Model: \_\_\_\_\_ 31 DVI \_\_\_\_\_

Serial Number: \_\_\_\_\_

Purchase Date: \_\_\_\_\_

Purchased From: \_\_\_\_\_

\_\_\_\_\_  
\_\_\_\_\_  
\_\_\_\_\_

**Register your warranty online at:**

[traviswarranty.com](http://traviswarranty.com)

**Or, mail your warranty card to:**

Travis Industries House of Fire  
4800 Harbour Pointe Blvd. SW  
Mukilteo, WA 98275

**Save Your Bill of Sale.**

To receive full warranty coverage, you will need to show evidence of the date you purchased your heater. Do not mail your Bill of Sale to us.

We suggest that you attach your Bill of Sale to this page so that you will have all the information you need in one place should the need for service or information occur.

## Listing Details

This appliance was listed by OMNI Test Labs to ANSI Z21.88 - report # 028-F-73-5. The listing label is attached to the appliance near the gas control valve. A copy is shown on page 38.

## IAS (ICBO) Approval

This appliance was listed by OMNI Test Labs - IAS # TL130.

## Massachusetts Approval

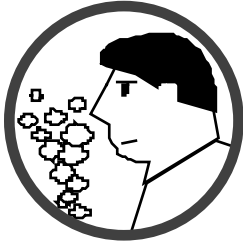
This manual has been submitted to the Massachusetts Board of State Examiners of Plumbers and Gas Fitters

## National Fireplace Institute



We suggest that our gas hearth products be installed and serviced by professionals who are certified in the U.S. by the National Fireplace Institute® (NFI) as NFI Gas Specialists.

<b><u>Introduction</u></b> .....	<b>2</b>	Routing the Power Cord .....	20
<b><u>Important Information</u></b> .....	<b>2</b>	Installation .....	20
<b><u>Listing Details</u></b> .....	<b>2</b>	<b><u>Rheostat Installation</u></b> .....	<b>21</b>
IAS (ICBO) Approval.....	2	<b><u>On/Off Switch Installation</u></b> .....	<b>21</b>
<b><u>Features</u></b> .....	<b>6</b>	<b><u>Glass Frame Removal and Installation</u></b> .....	<b>22</b>
<b><u>Installation Options</u></b> .....	<b>6</b>	<b><u>Glass Frame Removal and Installation</u></b> <b><u>(continued)</u></b> .....	<b>23</b>
<b><u>Heating Specifications</u></b> .....	<b>6</b>	<b><u>Log Set Installation</u></b> .....	<b>24</b>
<b><u>Dimensions</u></b> .....	<b>6</b>	Rear Log Placement .....	24
<b><u>Electrical Specifications</u></b> .....	<b>6</b>	Left Log Placement .....	24
<b><u>Fuel:</u></b> .....	<b>6</b>	Right Log Placement.....	25
<b><u>Installation Warnings</u></b> .....	<b>7</b>	Left Twig Placement.....	25
<b><u>Packing List</u></b> .....	<b>7</b>	Right Twig Placement .....	26
<b><u>Additional Items Required</u></b> .....	<b>7</b>	Center Twig Placement.....	26
<b><u>Items Packed with the Face</u></b> .....	<b>7</b>	Rockwool Installation .....	27
<b><u>Order of Installation</u></b> .....	<b>7</b>	Ember Placement .....	27
<b><u>Top Convection Deflector</u></b> .....	<b>8</b>	<b><u>Steps for Finalizing the Installation</u></b> .....	<b>28</b>
<b><u>Fireplace Requirements</u></b> .....	<b>8</b>	Air Shutter Adjustment .....	29
Factory-Built (Metal) Wood-Burning Fireplace Requirements.....	9	<b><u>Before You Begin</u></b> .....	<b>30</b>
<b><u>Hearth Requirements</u></b> .....	<b>9</b>	<b><u>Location of Controls</u></b> .....	<b>30</b>
<b><u>Leveling Bolts</u></b> .....	<b>9</b>	<b><u>Starting the Heater for the First Time</u></b> .....	<b>31</b>
<b><u>Clearances</u></b> .....	<b>10</b>	<b><u>Turning the Fireplace On and Off</u></b> .....	<b>31</b>
Mantel Clearances .....	10	<b><u>Comfort Control</u></b> .....	<b>31</b>
<b><u>Face Sizing</u></b> .....	<b>11</b>	<b><u>Adjusting the Flame Height</u></b> .....	<b>32</b>
<b><u>Modifying the Face Connector for Discovery, Rosario, and Artisan Faces</u></b> .....	<b>11</b>	<b><u>Adjusting the Blower Speed</u></b> .....	<b>32</b>
<b><u>Face Mounting Brackets -- Arched, Metropolitan, Artisan Vict. Lace Faces</u></b> .....	<b>12</b>	<b><u>Continuous/Intermittent Pilot Switch</u></b> .....	<b>32</b>
<b><u>Mounting the Bedford Face</u></b> .....	<b>12</b>	<b><u>Normal Operating Sounds</u></b> .....	<b>33</b>
<b><u>Gas Line Requirements</u></b> .....	<b>13</b>	<b><u>Normal Operating Odors</u></b> .....	<b>33</b>
Gas Line Location .....	13	<b><u>Maintaining Your Heater's Appearance</u></b> .....	<b>34</b>
Gas Inlet Pressure .....	13	<b><u>Battery Replacement</u></b> .....	<b>34</b>
Electrical Connection .....	13	Power Backup Batteries.....	34
<b><u>Vent Requirements</u></b> .....	<b>14</b>	Control Panel Light Battery .....	34
Altitude Considerations .....	14	<b><u>Yearly Service Procedure</u></b> .....	<b>35</b>
Vent Restrictor .....	15	<b><u>Troubleshooting Table</u></b> .....	<b>36</b>
Vent Installation .....	15	<b><u>Replacement Parts List</u></b> .....	<b>36</b>
Vent Location .....	16	<b><u>Wiring Diagram</u></b> .....	<b>37</b>
Vent Configurations.....	16	<b><u>Blower Wiring Diagram</u></b> .....	<b>37</b>
Vent Connector Removal and Installation .....	17	Safety Label.....	38
Vent Connector Removal and Installation (continued) .....	18	<b><u>CONDITIONS &amp; EXCLUSIONS</u></b> .....	<b>39</b>
<b><u>Surround Panel Installation</u></b> .....	<b>19</b>	<b><u>IF WARRANTY SERVICE IS NEEDED:</u></b> .....	<b>39</b>
3-Piece Surround Panels .....	19	<b><u>LP Conversion Instructions</u></b> .....	<b>40</b>
1-Piece Surround Panel .....	20	<b><u>Firebacks</u></b> .....	<b>43</b>
		<b><u>Lower Surround Panel</u></b> .....	<b>44</b>



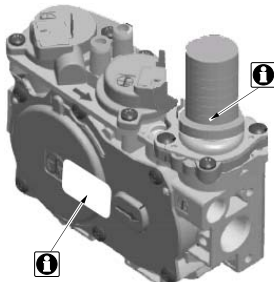
### **IF YOU SMELL GAS:**

- \* Do not light any appliance
- \* Extinguish any open flame
- \* Do not touch any electrical switch or plug or unplug anything
- \* Open windows and vacate building
- \* Call gas supplier from neighbor's house, if not reached, call fire department



This unit must be installed by a qualified installer to prevent the possibility of an explosion. Your dealer will know the requirements in your area and can inform you of those people considered qualified. The room heater should be inspected and cleaned before use and at least annually by a qualified service person. More frequent cleaning may be required due to excessive lint from carpeting, bedding material, etc.

The instructions in this manual must be strictly adhered to. Do not use makeshift methods or compromise in the installation. Improper installation will void the warranty and safety listing.



This heater is either approved for natural gas (NG) or for propane (LP). Burning the incorrect fuel will void the warranty and safety listing and may cause an extreme safety hazard. Direct questions about the type of fuel used to your dealer. Check for a label on the flame adjust knob on the gas control valve (this is the best place to check). You may also check for a label on the gas control valve body.



Contact your local building officials to obtain a permit and information on any installation restrictions or inspection requirements in your area. Notify your insurance company of this heater as well.



If the flame becomes sooty, dark orange in color, or extremely tall, do not operate the heater. Call your dealer and arrange for proper servicing.



It is imperative that control compartments, screens, or circulating air passageways of the heater be kept clean and free of obstructions. These areas provide the air necessary for safe operation.



Do not operate the heater if it is not operating properly in any fashion or if you are uncertain. Call your dealer for a full explanation of your heater and what to expect.



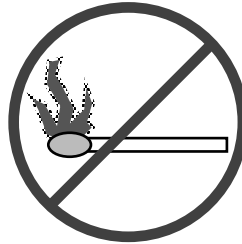
Do not store or use gasoline or other flammable liquids in the vicinity of this heater.



Do not operate if any portion of the heater was submerged in water or if any corrosion occurs. Immediately call a qualified service technician to inspect the appliance and to replace any part of the control system that has been under water.



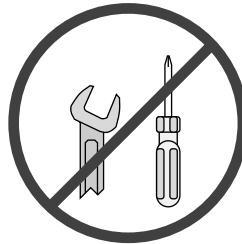
- Do not place clothing or other flammable items on or near the heater. Because this heater can be controlled by a thermostat there is a possibility of the heater turning on and igniting any items placed on or near it.



- Light the heater using the built-in igniter. Do not use matches or any other external device to light your heater.
- Allow the heater to cool before carrying out any maintenance or cleaning.



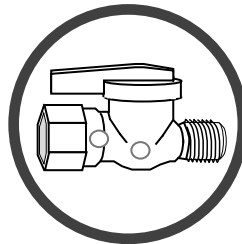
- The viewing glass should be opened only for lighting the pilot or conducting service.
- Any safety screen or guard removed for servicing must be replaced prior to operating the heater.
- Do not operate with the glass removed or damaged.



- Never remove, replace, modify or substitute any part of the heater unless instructions are given in this manual. All other work must be done by a trained technician. Don't modify or replace orifices.



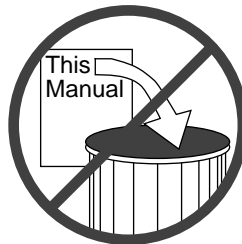
- Operate the heater according to the instructions included in this manual.
- If the main burners do not start correctly turn the gas off at the gas control valve and call your dealer for service.



- Instruct everyone in the house how to shut gas off to the appliance and at the gas main shutoff valve. The gas main shutoff valve is usually next to the gas meter or propane tank and requires a wrench to shut off.



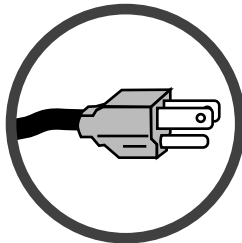
- This unit is not for use with solid fuel
- Do not place anything inside the firebox (except the included fiber logs).
- If the fiber logs become damaged, replace with Travis Industries log set.



- Do not throw this manual away. This manual has important operating and maintenance instructions that you will need at a later time. Always follow the instructions in this manual.



- Children and adults should be alerted to the hazards of high surface temperature and should stay away to avoid burns or clothing ignition. Young children should be supervised when they are in the same room as the heater.



- Plug the heater into a 120V grounded electrical outlet. Do not remove the grounding plug.
- Don't route the electrical cord in front of, over, or under the heater



- Travis Industries, Inc. grants no warranty, implied or stated, for the installation or maintenance of your heater, and assumes no responsibility of any consequential damage(s).**

**Features**

- High Tech Burner for "Wood Fire" Look
- Works During Power Outages (battery backup system)
- Standing or Intermittent Pilot
- Convenient Operating Controls
- Variable-Rate Heat Output

**Installation Options**

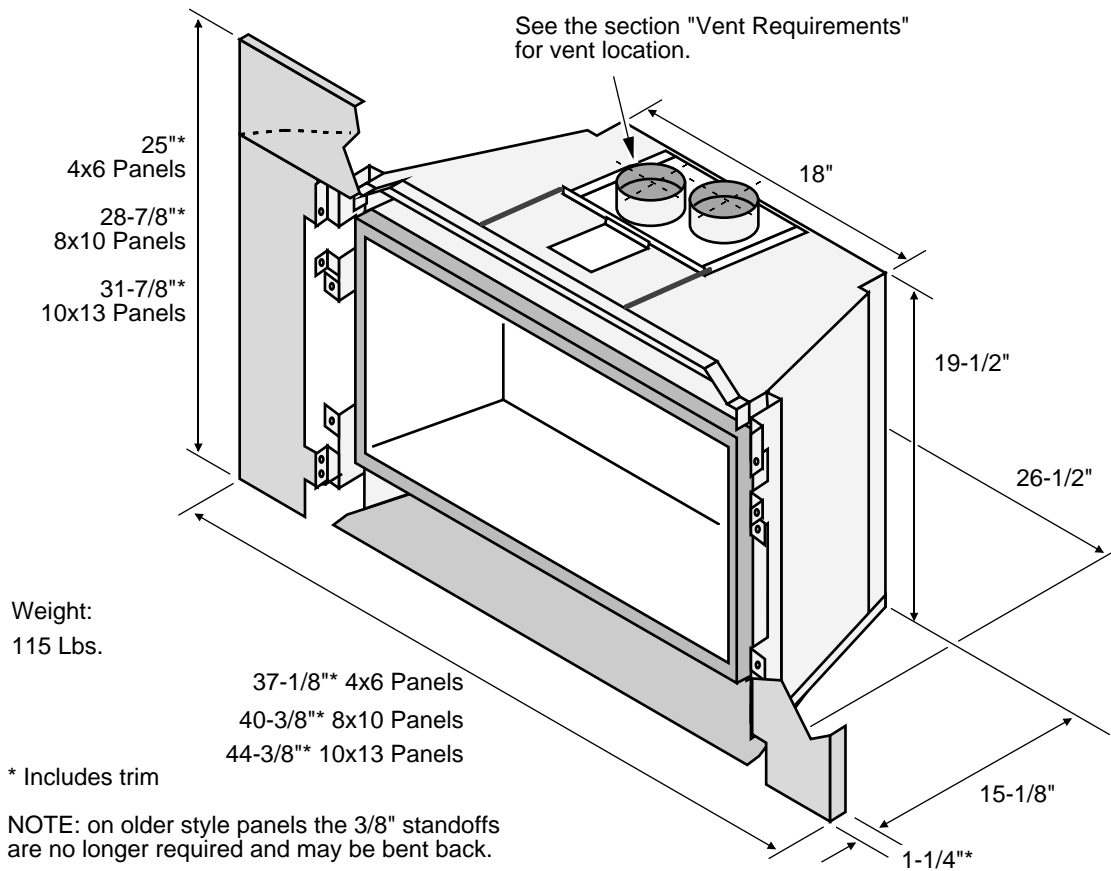
- Residential or Mobile Home
- Fireplace Insert
- Masonry or Factory Built (Metal) Wood-Burning Fireplace

**Heating Specifications**

	Natural Gas	Propane
Approximate Heating Capacity (in square feet)*	500 to 1,500	500 to 1,500
Maximum BTU Input Per Hour	31,000	31,000

\* Heating capacity will vary with floor plan, insulation, and outside temperature.

**Dimensions**



**Electrical Specifications**

Electrical Rating..... 115 Volts, 1.5 Amps, 60 Hz (180 watt)

**Fuel**

This heater is shipped in natural gas (NG) configuration but may be converted to propane (LP) using the included LP conversion kit. The sticker on top of the gas control valve will verify the correct fuel.

## ***Installation Warnings***

---

- Failure to follow all of the requirements may result in property damage, bodily injury, or even death.
- This heater must be installed by a qualified installer who has gone through a training program for the installation of direct vent gas appliances.
- This appliance must be installed in accordance with all local codes, if any; if not, follow ANSI Z223.1 and NFPA 54(88).
- In Manufactured or Mobile Homes must conform with Manufactured Home Construction and Safety Standard, Title 24 CFR, Part 3280, or, when such a standard is not applicable, the Standard for Manufactured Home Installations, ANSI/NCSBCS A225.1. This appliance may be installed in Manufactured Housing only after the home is site located.
- The heater is designed to operate on natural gas, or propane (LP).
- All exhaust gases must be vented outside the structure of the living-area. Combustion air is drawn from outside the living-area structure.
- Notify your insurance company before hooking up this heater.
- The requirements listed below are divided into sections. All requirements must be met simultaneously. The order of installation is not rigid – the qualified installer should follow the procedure best suited for the installation.

## ***Packing List***

---

- Propane Conversion Kit
- Cove Covers
- "Fireplace Altered" tag (attach to the fireplace)
- Button Plug for Surround Panels (see page 19)

## ***Additional Items Required***

---

- Log Set (order of the following
  - Standard Log Set (94400991) - See installation instructions in this manual.
  - Ceramic Stones (94700729) - See instructions included with the stones.
- Faceplate
- Simpson Duravent 6-5/8" to 3" & 3" Co-Linear Adapter with flashing
- 3" Diameter Gas Liner (2)
- Direct Vent Cap (Use Simpson Duravent High Wind Cap)
- Gas Line Equipment (shutoff valve, pipe, etc.)

## ***Items Packed with the Face***

---

- Face with attachment hardware (Note: use the cove covers included with the heater)
- Face Installation Instructions

## ***Order of Installation***

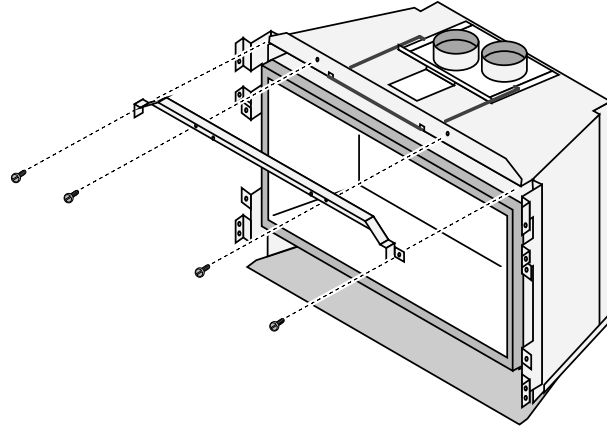
---

- 1 If the heater is to use propane, install the propane conversion kit (see page 40).
- 2 Install gas line into the fireplace (do not connect to unit).
- 3 Position the heater.
- 4 Connect the gas line and gas vent to the appliance.
- 5 Install the optional surround panels and trim. Attach the on/off switch.
- 6 Follow the instructions under "Finalizing the Installation" on page 28.

### Top Convection Deflector

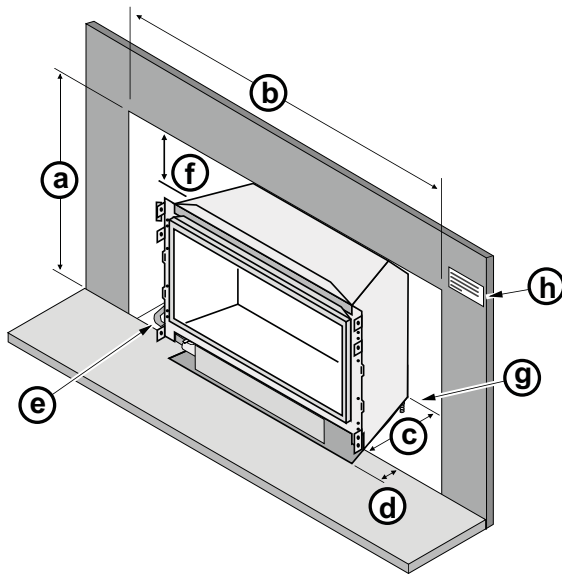
Install the top convection deflector as shown to the right.

The deflector is shipped on top of the insert. The screws are shipped inside the owner's pack.



### Fireplace Requirements

- Insert must be placed within a code-conforming masonry fireplace or tested and listed factory-built (metal) wood-burning fireplace. Repair any fireplace damage prior to installation.
- Because the insert uses a circulation blower, clean the fireplace, smoke shelf, and chimney prior to installation.
- This heater may be placed in a bedroom. Please be aware of the large amount of heat this appliance produces when determining a location.



<b>Fireplace Sizing</b>	<b>3-Piece Panel</b>	<b>1-Piece Panel</b>
<b>(a)</b> Minimum Height	19-1/2" (496mm)	20-5/8" (524mm)
<b>(b)</b> Minimum Width	26-1/2" (674mm)	29" (737mm)
<b>(c)</b> Minimum Depth	15-1/8" (385mm)	16-3/8" (416mm)
<b>(d)</b> Hearth Extension	1-1/4" (32mm)	0" (0mm)

- (e)** The gas and electrical line should be installed prior to installing the heater.
- (f)** For tight fits (under 24") see the section "Removing the Vent Connector"
- (g)** See "Leveling Bolts" for details on leveling the heater.

- (h)** Attach the "This fireplace has been altered..." plate to the fireplace (use two screws or other suitable method). You may wish to place it in a location where it will be covered by the surround panels.



## Factory-Built (Metal) Wood-Burning Fireplace Requirements

**NOTE:** Any parts that are removed must be removed in a way that would allow them to be re-installed if the insert is ever removed (removal of rivets or screws is acceptable).

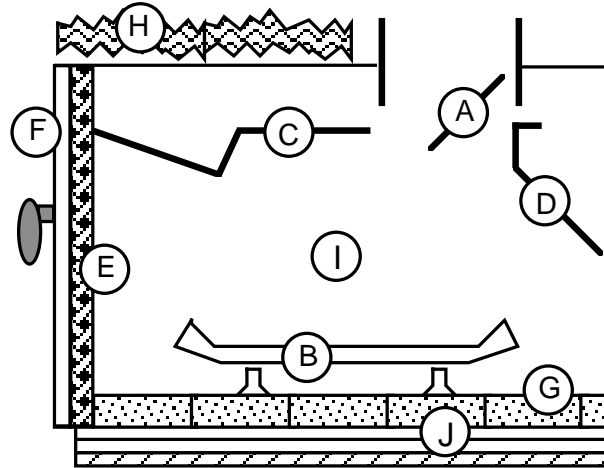
The damper ("A") and grate (with log set) ("B") must be removed (see the illustration below)

The smoke shelf ("C"), internal baffles ("D"), screen ("E"), masonry lining or refractory ("G" & "I"), and metal or glass doors ("F") may be removed (if applicable)

The fireplace must be permanently marked to indicate that it has been altered and is no longer suitable for burning solid fuel (wood), unless the removed parts are re-installed. Cutting of any sheet metal parts is prohibited, except the metal floor ("J") as noted below.

The insulation ("H"), and any structured rigid frame members must not be removed or altered (side and top of door frame, side and top of the face of the fireplace, metal sides, etc.).

The metal floor ("J") may be removed to allow additional room for installation of the insert. If the floor is removed the insert must be placed directly on the metal base of the metal fireplace.



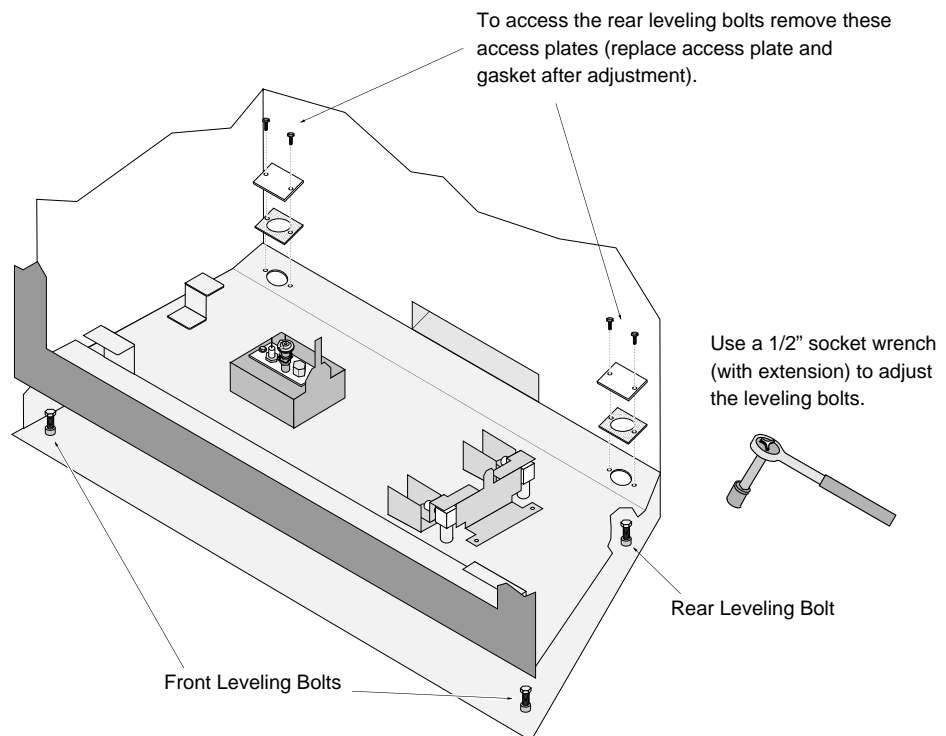
## Hearth Requirements

The heater and face must not contact combustible surfaces. A non-combustible hearth extension is not required. However, if the heater is installed next to the floor, we recommend a hearth to protect the flooring surface from discoloration or other negative impact from the heater.

## Leveling Bolts

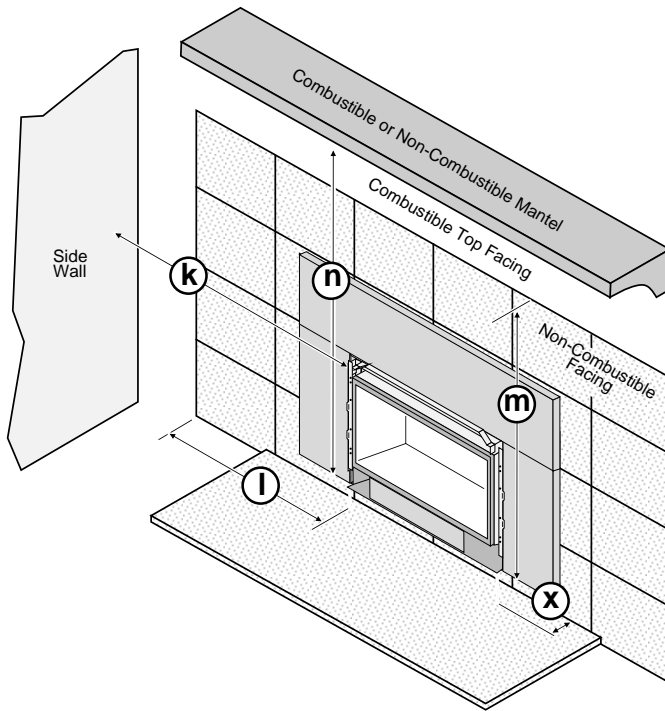
This heater includes front and rear leveling bolts to accommodate fireplaces with a step-down firebox.

**NOTE:** To access the rear leveling bolts, remove the burner (see page 43).



**Clearances**

Due to the high temperature of the heater, it should be located out of traffic and away from furniture and draperies.



	Minimum Clearances
<b>k Sidewall to Insert</b>	4.5" 115mm
<b>l Side Facing (non-combustible)</b>	4.5" 115mm
<b>m Top Facing* (non-combustible)</b>	35" 889mm
<b>n Mantel* (combustible or non-combustible)</b>	35" 889mm
<b>x Hearth Extension (3-Piece Panel)</b>	1.25" 32mm
<b>x Hearth Extension (1-Piece Panel)</b>	0" 0mm

\* Measured from the base of the insert.

**Mantel Clearances**

The maximum mantel depth is 12".

NOTE: The combustible area above the facing must not protrude more than 3/4" from the facing. If it does, it is considered a mantel and must meet the mantel requirements listed in this manual.

## Face Sizing

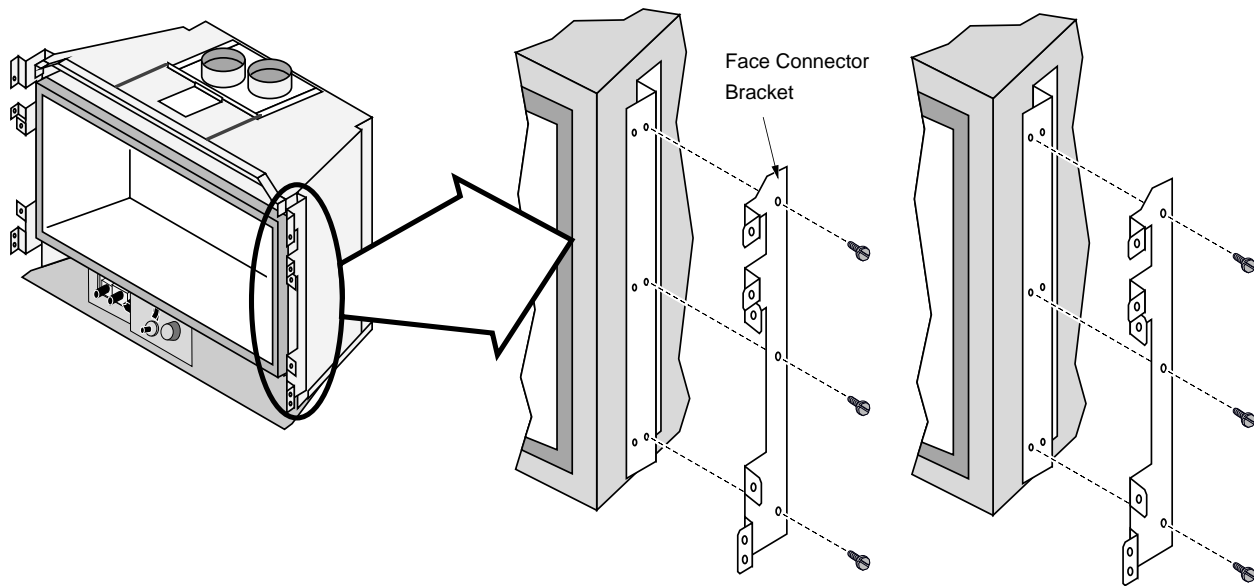
Face	Height	Width	Notes
Rawhide	22-1/2"	32"	
Victorian	22-1/2"	32"	
Rosario	21-9/16"	32"	
Cambridge	21-1/2"	33"	
Craftsman	21-1/2"	32"	
Classic Arched, Artisan	22"	30"	Side begins arch 3-1/2" below top - 34" radius
Metropolitan	22"	30"	
Architectural Series	22-3/4"	29-7/8"	
Discovery	21-9/16"	32"	
Bedford	22-3/4"	34-1/8"	<b>Requires the Bedford DVS EF II Face Upgrade Kit.</b> This lowers the face 1-1/4" - see "Mounting the Bedford Face" on the following page. 2-1/4" Deep, requires 5/8" above for installation

## Modifying the Face Connector for Discovery, Rosario, and Artisan Faces

The Discovery, Rosario, and Artisan face require re-positioning of the face connector. See the directions below for details.

Remove the face connector bracket from the heater (on both sides).

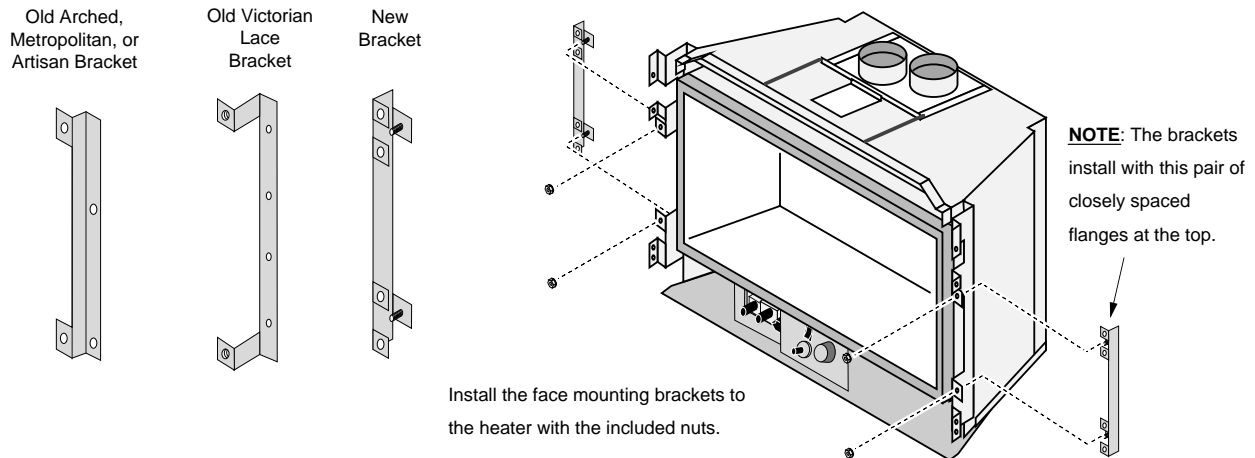
Re-attach the face connector to the heater using the forward mounting holes.



### Face Mounting Brackets -- Arched, Metropolitan, Artisan Vict. Lace Faces

Some Arched, Artisan, Metropolitan, and Victorian Lace Faces include old brackets that will not mount to the heater (see illustration below). For these faces, make sure to use the new mounting brackets (either included with the heater or available through your dealer - SKU 250-00519).

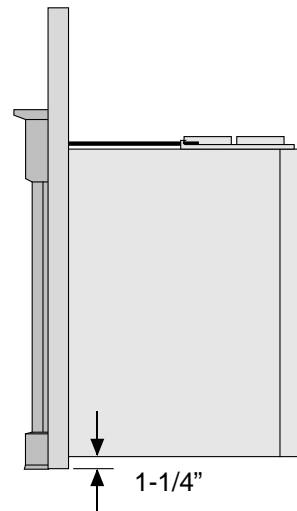
**WARNING:** When attaching the Victorian Lace Face, **do not over-tighten the screws.** Over-tightening the screws may damage the face – simply tighten the screws until they contact the face.



NOTE: The face attaches to the brackets with the screws included with the face – see the instructions included with the face.

### Mounting the Bedford Face

Some Bedford Faces include old brackets that will not mount to the heater. For these faces, make sure to use the new DVS Insert EF II Face Upgrade Kit (either included with the face or available through your dealer - SKU 250-00029). The kit lowers the face and surround panels 1-1/4". This means you must install this with a raised fireplace or raise the insert 1-1/4" above the hearth. To do this you may extend the leveling bolts or place bricks or other non-combustible under the insert.



## Gas Line Requirements

### MASSACHUSETTS INSTALLATIONS - **WARNING:**

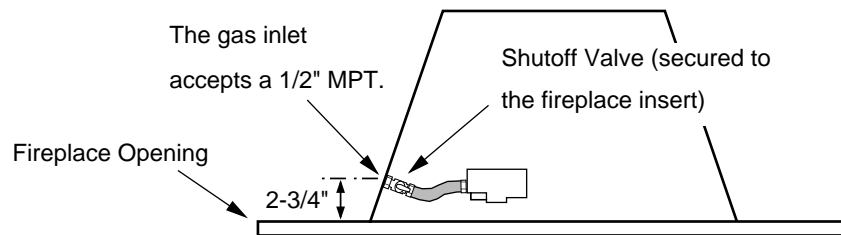
THIS PRODUCT MUST BE INSTALLED BY A LICENSED PLUMBER OR GAS FITTER WHEN INSTALLED WITHIN THE COMMONWEALTH OF MASSACHUSETTS.

OTHER MASSACHUSETTS CODE REQUIREMENTS:

- Flexible connector must not be longer than 36 inches.
- Shutoff valve must be a "T" handle gas cock.
- Only direct vent sealed combustion products are approved for bedrooms or bathrooms.
- Fireplace dampers must be removed or welded in the open position prior to the installation of a fireplace insert or gas log.
- A carbon monoxide (CO) detector is required in the same room as the appliance.

- The gas line must be installed in accordance with all local codes, if any; if not, follow ANSI 223.1 and the requirements listed below.
- A manual shutoff valve is required within 3' of the heater. It should be placed upstream of the flex line (if used) and may be installed behind the access door inside the heater. ).
- The heater and gas control valve must be disconnected from the gas supply piping during any pressure testing of that system at test pressures in excess of 1/2 psig. For pressures under 1/2 psig, isolate the gas supply piping by closing the manual shutoff valve.
- Leak test all gas line joints and the gas control valve prior to and after starting the heater.
- This heater is designed either for natural gas or for propane (but not for both). Check the sticker on the top of the gas control valve to make sure the correct fuel is used (see illustration on page 4).
- Installation must be performed by a qualified installer, service agency or the gas supplier (In Massachusetts a licensed plumber/gasfitter).

## Gas Line Location



## Gas Inlet Pressure

	Standard Input Pressure
Natural Gas	7" W.C. (1.74 kPA)
Propane	13" W.C. (2.73 kPA)

- If the pressure is not sufficient, make sure the piping used is large enough, the supply regulator is adequately adjusted, and the total gas load for the residence does not exceed the amount supplied.
- The supply regulator (the regulator that attaches directly to the residence inlet or to the propane tank) should supply gas at the suggested input pressure listed above. Contact the local gas supplier if the regulator is at an improper pressure.

## Electrical Connection

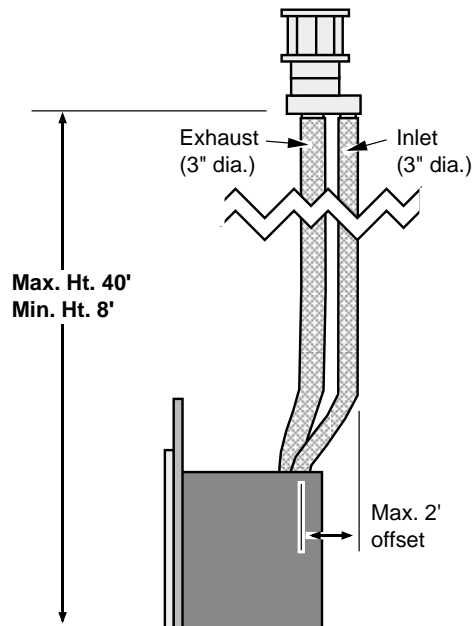
- Route the power cord out of the access hole on the right side of the appliance.
- Plug the power cord into a grounded 120 Volt outlet (do not remove the grounding pin).
- The electrical connection may also be made using the optional Wiring Kit (SKU 97200315).

## Vent Requirements

Travis Industries manufactures a vent kit specifically for this insert (sku 96200330). It includes 30' (10M) of inlet and exhaust vent, hose clamps, and a prairie cap. The flashing on cap is 18" (458mm) by 18" (458mm).



- The gas appliance and vent system must be vented directly to the outside of the building, and never be attached to a chimney serving a separate solid fuel or gas-burning appliance. Each direct vent gas appliance must use its own separate vent system.
- Make sure the exhaust pipe on the heater connects to the exhaust portion of the cap. The illustrations below show how the flex liners should be attached.
- The exhaust vent must reline the entire length of the chimney and terminate above the chimney top
- Be careful not to crimp or rupture the liner when bending it into chimney offsets
- When installed, the vent must meet all of the vent manufacturer's requirements
- Make sure to use the following:
  - 3" UL 441 or 1777 Gas Liner for Exhaust and Air Inlet
  - Simpson DuraVent 6-5/8" to 3" & 3" Co-Linear Adapter and Flashing
  - Simpson DuraVent High-Wind Vertical Termination Cap (46DVA-VCH) or Prairie Cap



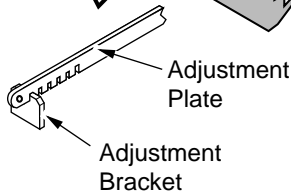
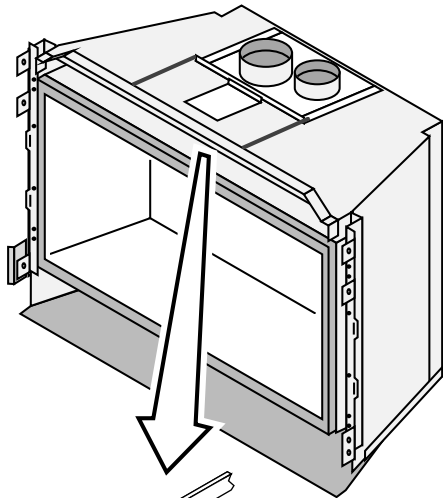
## Altitude Considerations

- This heater has been tested at altitudes ranging from sea level to 6,000 feet (1,800 M). In this testing we have found that the heater, with its standard orifice, burns correctly with just an air shutter adjustment.
- Failure to adjust the air shutter properly may lead to improper combustion which can create a safety hazard. Consult your dealer or installer if you suspect an improperly adjusted air shutter.

## Vent Restrictor

**WARNING:** Restrictor adjustment should only be done by a qualified installer.

Only those installations determined to be over-drafting require this adjustment. The best indication of over-drafting is a hyper-active flame pattern (flames that move too quickly). If the air shutter is constricted, the flames become short and yellow, yet still very active. Over-drafting may affect the pilot, but this is not the best way to determine over-drafting. Over-drafting is most likely in tall venting configurations (especially if using an "Exhaust Only Re-Line"). Do not over-restrict the vent (this leads to ghosting or lifting flames - reduce restrictor setting).



This restrictor is in position 1 (factory setting).

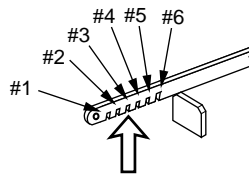
### To Access the Restrictor:

Remove the face.

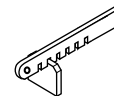
**WARNING:** Use a glove to protect your hand from burns.

### To Adjust the Restrictor:

- 1 Determine a restrictor position. Start low (move the restrictor a maximum two positions at a time) and thoroughly test the heater before adjusting further.
- 2 Lift up the adjustment plate and move it so the correct notch falls into the slot on the adjustment bracket.

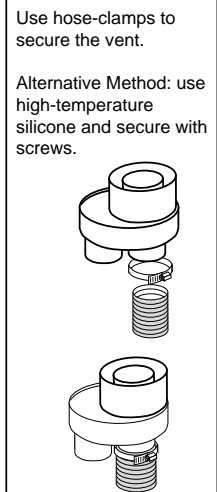
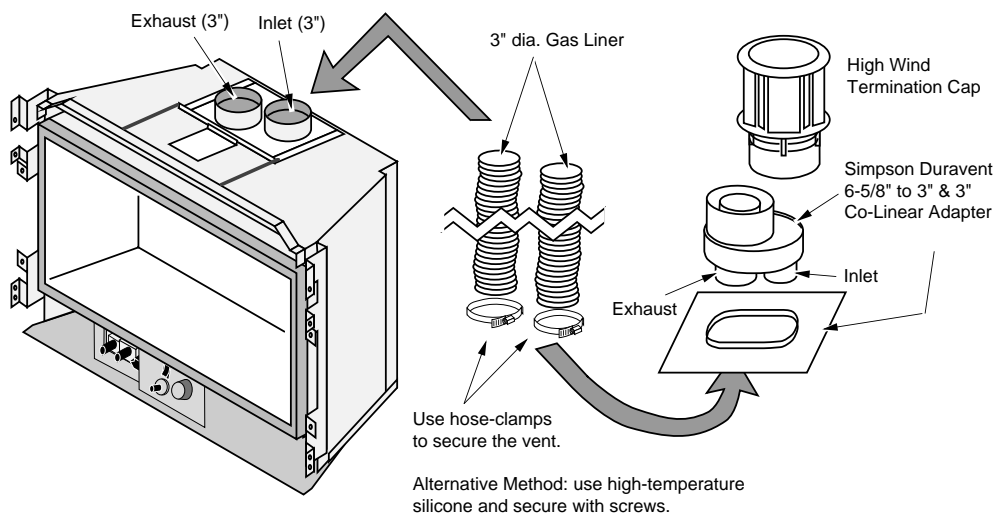


To adjust, lift up on the adjustment plate and push it back (use pliers if necessary).



This restrictor is in position 2.

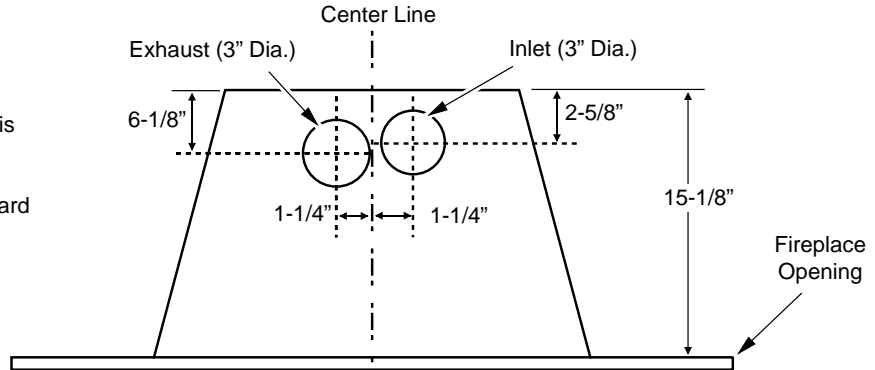
## Vent Installation



**Vent Location**

- A vent restrictor is built into the appliance to adjust the flow rate of exhaust gases. This ensures proper combustion for all vent configurations. Depending upon the vent configuration, you may be required to adjust the restrictor position.

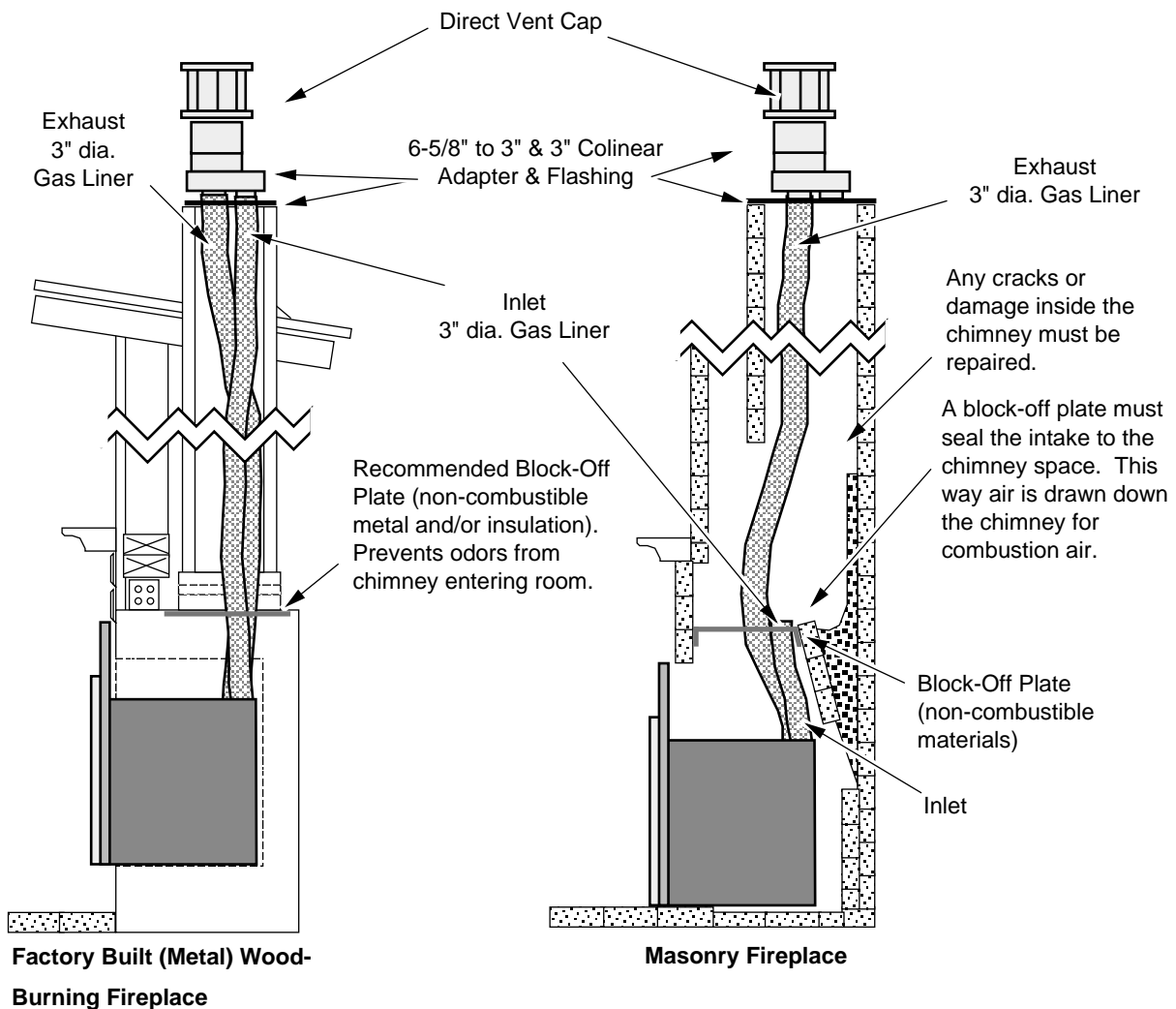
**NOTE:** Vent location changes based upon restrictor position. Position # 1 is shown to the right. Each restrictor position moves the vent location forward (toward the fireplace opening) approximately 1/4".



**Vent Configurations**

**Inlet & Exhaust Re-Line**

**Exhaust Only Re-Line**

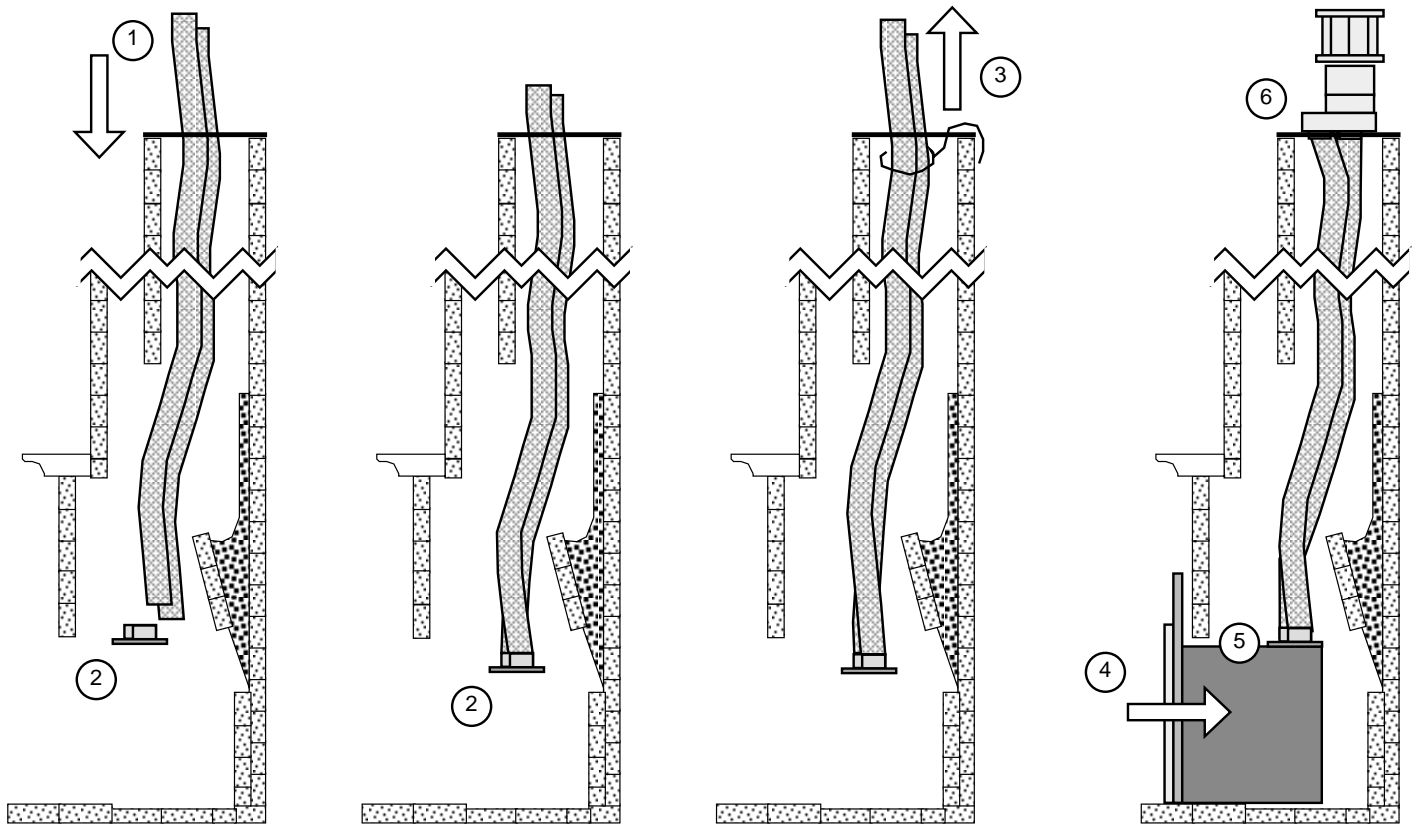


**NOTE:** You may use either re-line configuration with a masonry or zero-clearance fireplace.



## Vent Connector Removal and Installation

- The vent connector is shipped attached to the insert, but may be removed to facilitate tight installations. See the directions below for installation.
1. Route the flex vent through the chimney from above (leave an extra 3' at the top). Make sure the flex is thoroughly stretched.
  2. Remove the vent connector and attach it to the flex vent (see the instructions on the following page).  
NOTE: be careful of the anti-seize on the connector – it will stain clothing, etc.
  3. Pull on the flex vent until the vent connector is at the same height as the insert. Temporarily attach the flex vent to the top of the chimney (leave extra slack).
  4. Slide the insert into place, guiding the vent connector into the guides on top of the insert.
  5. Attach the vent connector to the appliance (see the following page for details).
  6. Remove any excess slack in the flex line and attach the vent termination.

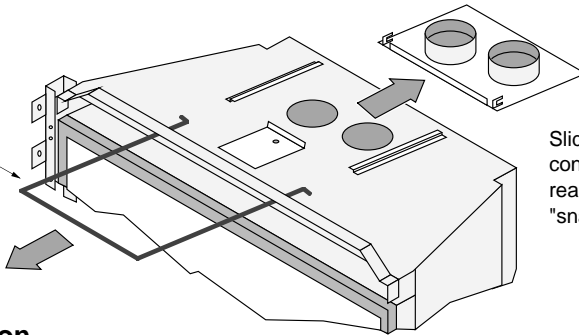


Vent Connector Removal and Installation (continued)

**Vent Connector Removal**

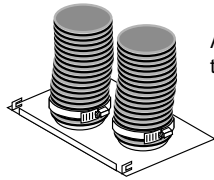
Pull the vent connector rod forward.

**WARNING:** The anti-seize on the vent connector can stain clothing, carpets, or other items.

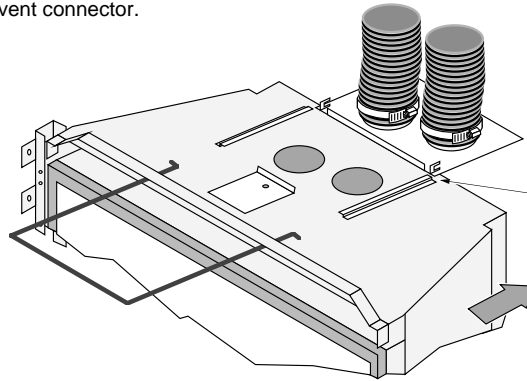


Slide the connector to the rear. It will "snap" out.

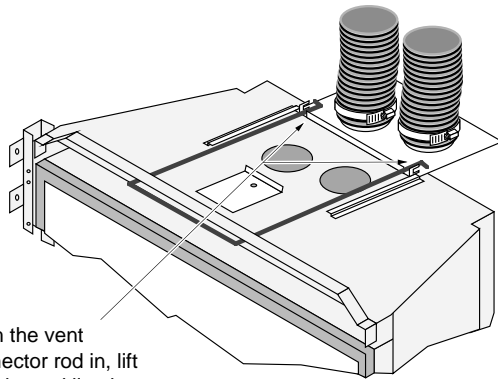
**Vent Connector Installation**



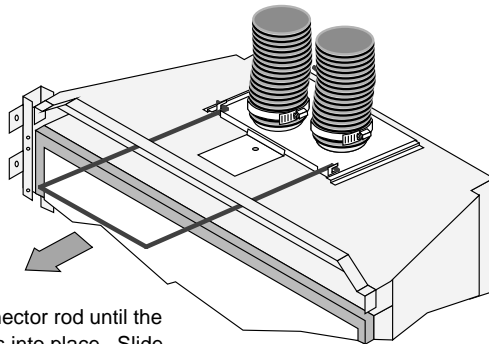
Attach the flex vent to the vent connector.



Slide the insert into place, lining up these guides with the edges of the vent connector.



Push the vent connector rod in, lift slightly, and line it up so the tabs on the end of the rod engage the hooks on the vent connector



Pull on the vent connector rod until the vent connector snaps into place. Slide the vent connector rod in to conceal it.

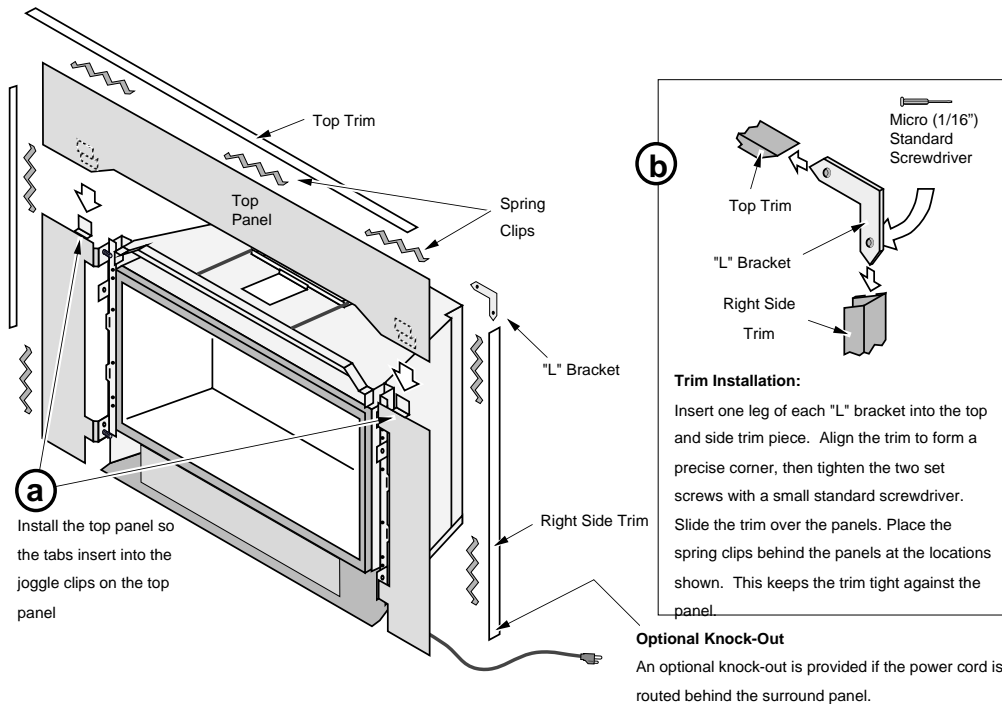
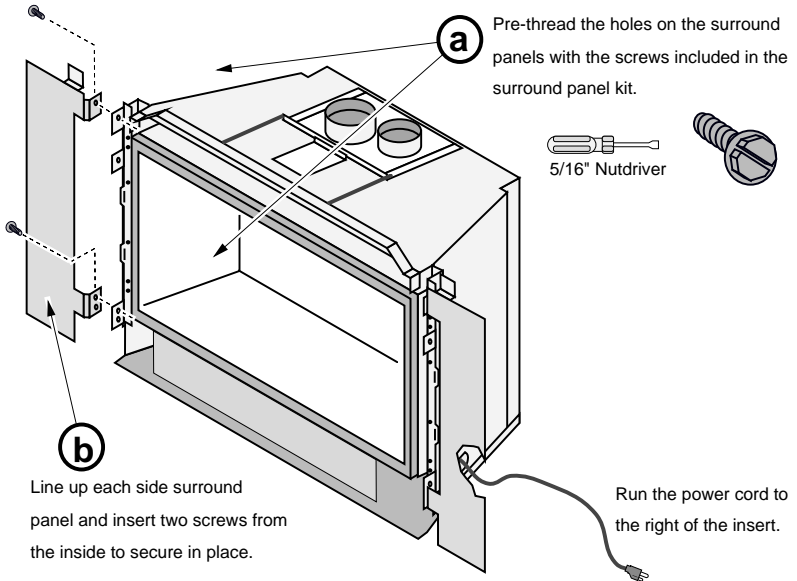
## Surround Panel Installation

**NOTE:** The insert may be installed without surround panels.

### 3-Piece Surround Panels

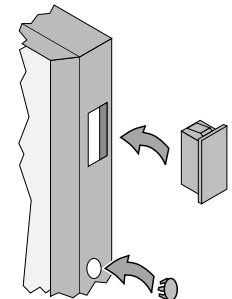
PANEL SIZE	WIDTH	HEIGHT	PART #
8" x 10" Rectangular	40-3/8"	28-7/8"	96100301
Arched (8" x 10")	40-3/8"	28-7/8"	98500605
10" x 13" Rectangular	44-3/8"	31-7/8"	96100302
4" x 6" Rectangular	37-1/8"	25"	96100300

- 1 Follow the directions to the right to install the side panels.
- 2 Follow the directions below to install the top panel.



### COVER PLUGS FOR ON/OFF SWITCH AND RHEOSTAT

If you are installing the rheostat or on/off switch into the control panel, install the button plug or switch plug into the surroundpanel trim to conceal the mounting holes (see the illustration below).



### 1-Piece Surround Panel

- DVS – 25" by 38" 96100318
- DVS – 28-1/2" by 40" 96100324

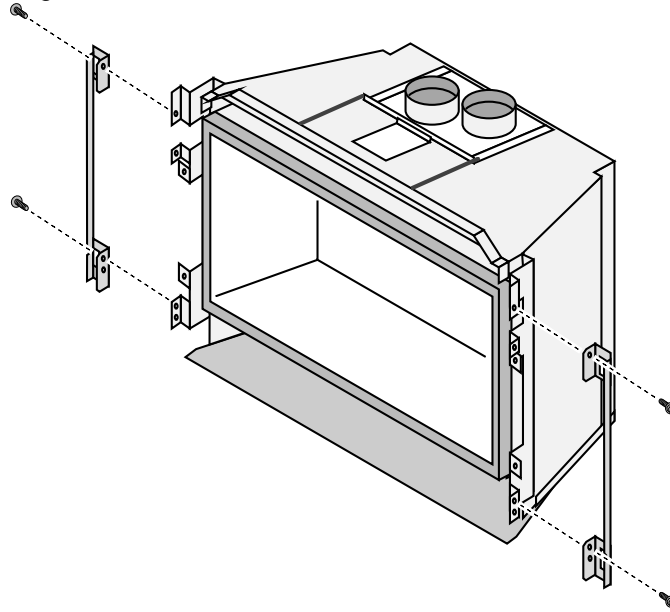
NOTE: The panels may be cut down in size and placed within the fireplace opening.

### Routing the Power Cord

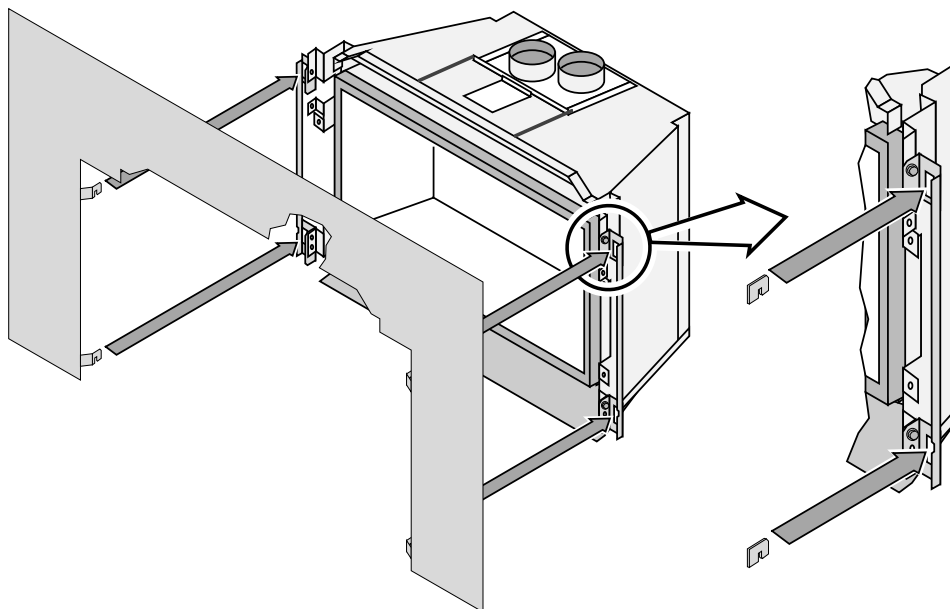
Because this panel fits flush against the fireplace facing, the panel does not have a notch allowing the power cord to exit the fireplace. We recommend using the insert wiring kit (sku 97200315) to route power to the insert. Otherwise, route the power cord behind the panel to the right side (the panel or fireplace may be notched, if required).

### Installation

1. Attach the mounting brackets as shown below.

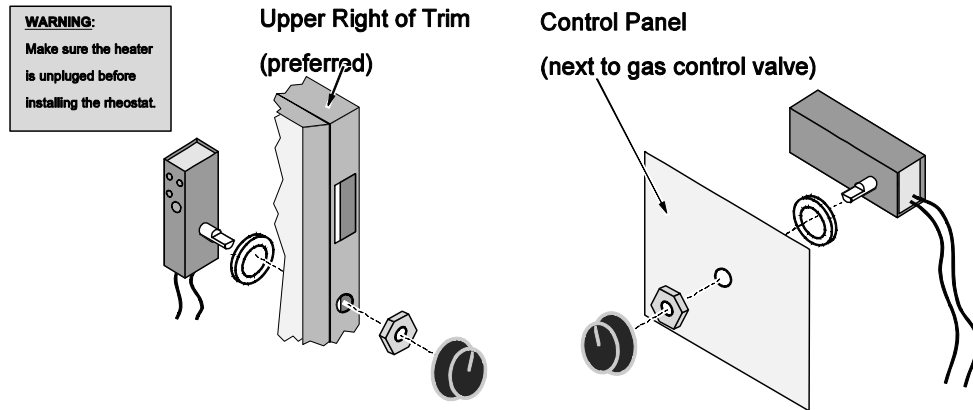


2. Attach the surround panel as shown below.



## Rheostat Installation

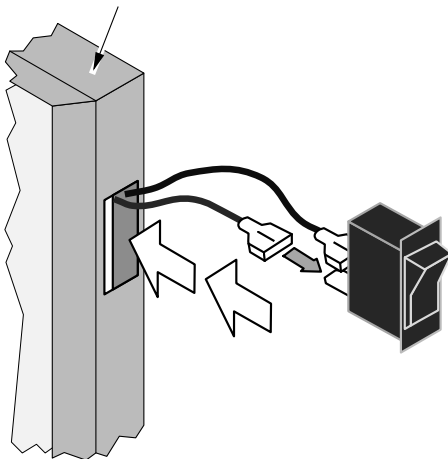
The rheostat is installed in the control panel (1-piece panels) or on the surround panel (3-piece panels). If installing in the surround panel, use the included extension wires (extension wires not required if mounted in control panel). Attach the rheostat wires to the wiring harness and secure to either the control panel or surround panel. Make sure the wires do not contact any hot or moving parts.



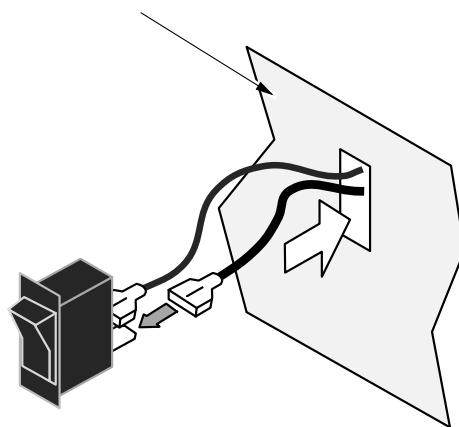
## On/Off Switch Installation

The on/off switch may be installed in the surround panel (preferred for 3-piece panels) or control panel (on 1-piece panel or inside-fit panels). See below for installation details.

**Upper Right of Trim (preferred)**



**Control Panel (next to gas control valve)**



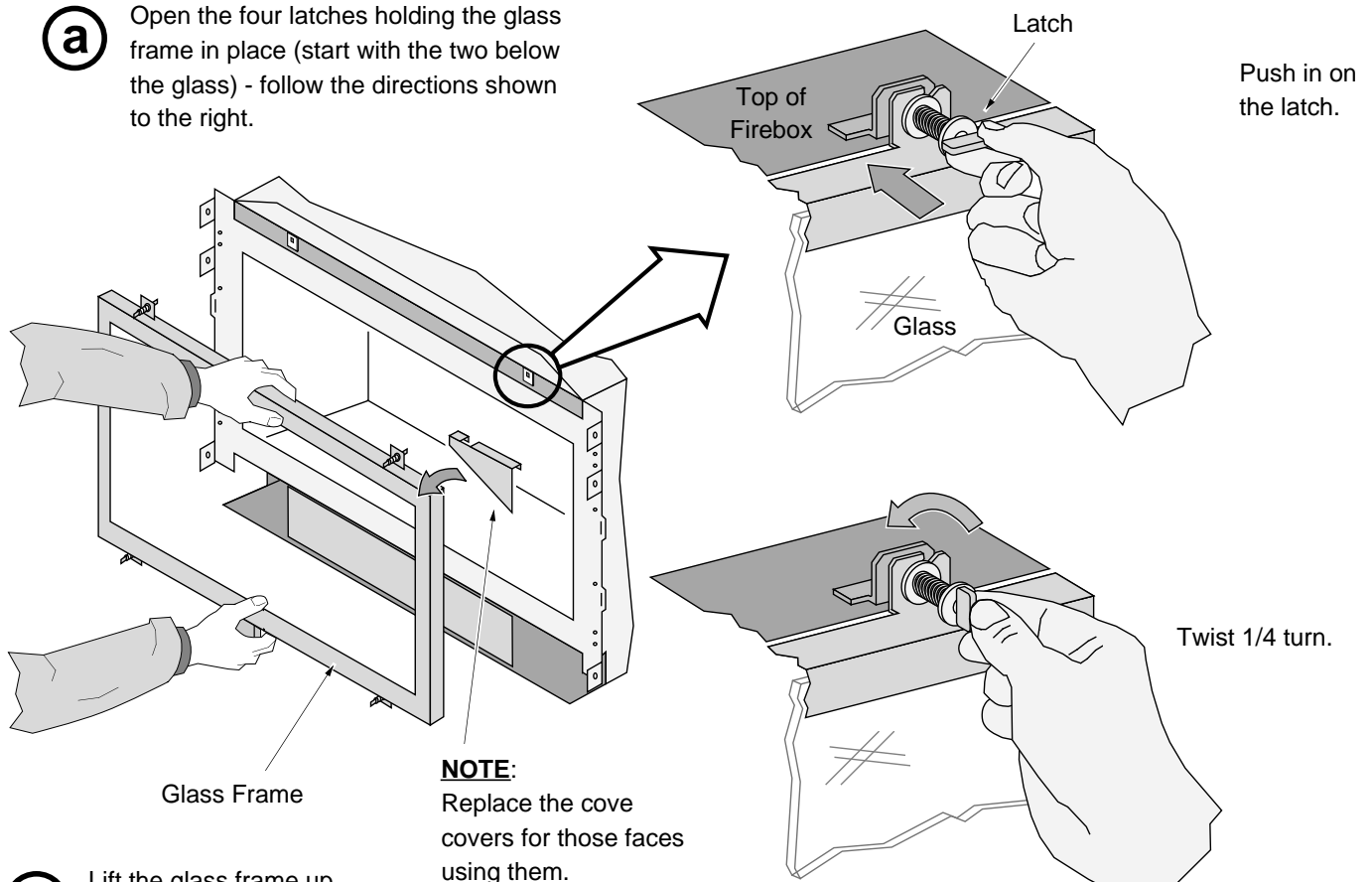
- 1 Disconnect the red and brown wires leading to the on/off switch.
- 2 Insert the wires through the rectangular mounting hole.
- 3 Attach the wires to the top and bottom posts on one side of the switch. It does not matter which wire is on top.
- 4 Press the switch into the rectangular mounting hole until it locks into place.

**Glass Frame Removal and Installation**

**Warning:** The appliance must be completely cool before removing the glass.

**Warning:** Do not strike or slam the glass.

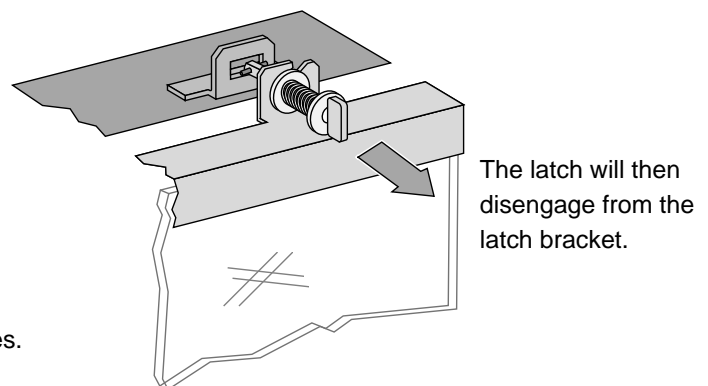
- a** Open the four latches holding the glass frame in place (start with the two below the glass) - follow the directions shown to the right.



- b** Lift the glass frame up and pull it forward to remove. **NOTE:** You may need to lift the glass frame while re-attaching.

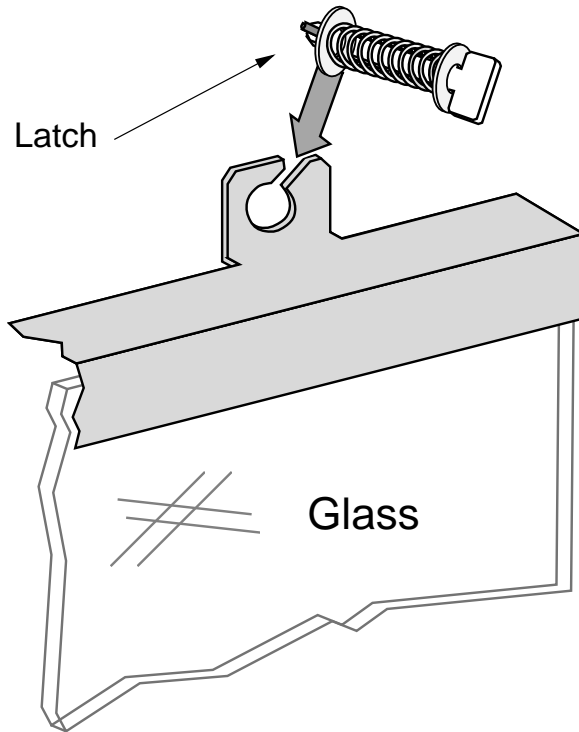
**Re-Attaching the Glass Frame:**

- Hang the glass frame on the firebox.
- While holding in place, attach the upper latches (follow the instructions to the right in reverse).
- Lift the glass frame slightly and attach the lower latches.

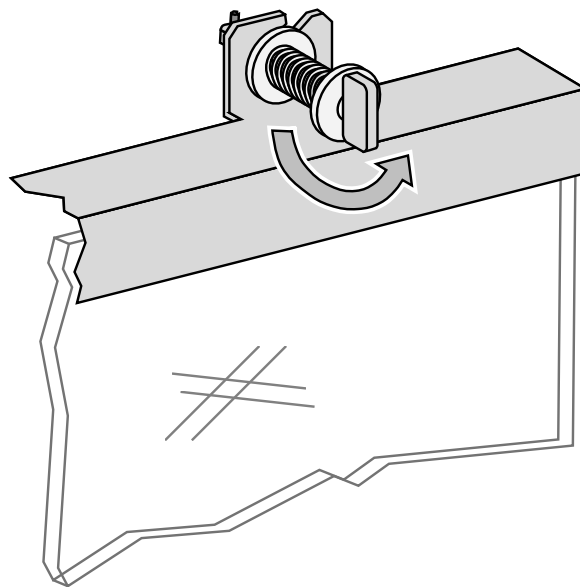


***Glass Frame Removal and Installation (continued)***

The glass latch can come loose from the glass frame. This occurs when the latch is turned 1/8 turn when disengaged from the unit. Follow the directions below to re-install the latch if it comes loose.



Hold the latch at an angle and insert it into the slot on the glass frame. Note how the washer fits in front of the flange on the glass frame. You will need to push slightly to get the latch to insert.

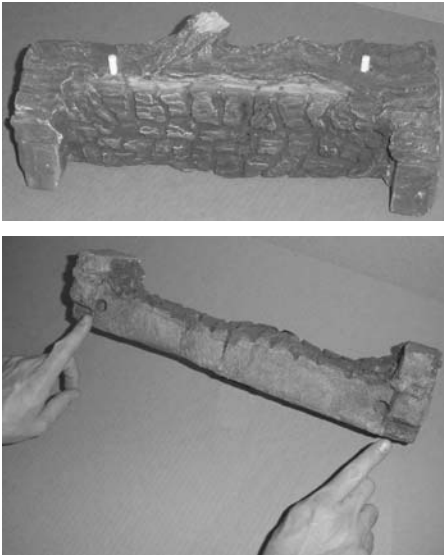


Once fully inserted, turn the latch until it is level.

### Log Set Installation

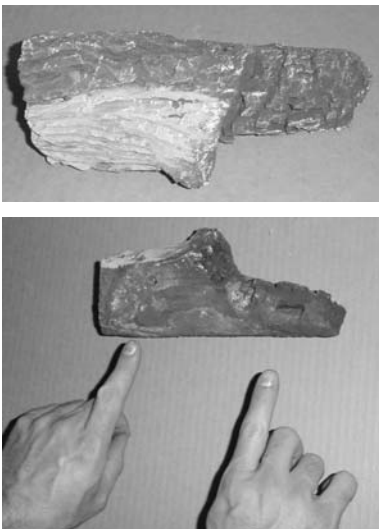
- ! **The logs are fragile, especially after being exposed to heat.**
- Make sure the gas control valve is "OFF" and the heater is cool prior to conducting service.
- Failure to position the parts in accordance with these diagrams or failure to use only parts specifically approved with this appliance may result in property damage or personal injury.
- If using propane (LP), convert the appliance before installing the logs (see page 40).
- The burner must be correctly positioned before installing the logs. Make sure the burner is fully seated and the pilot is properly aligned. See page 40 for details on burner removal.

#### Rear Log Placement



The rear log has two cut-outs on the back edges along the bottom. Place the log on the burner so these cut-outs fit over the two pins on the burner as shown above.

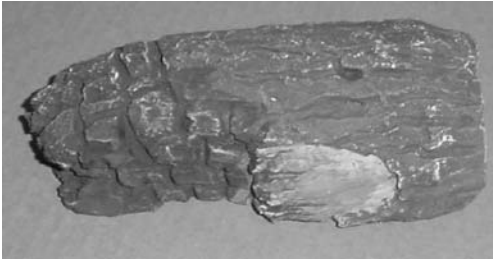
#### Left Log Placement



The left log has two holes in the bottom that fit over the pin on the burner and metal bracket attached to the pilot assembly.

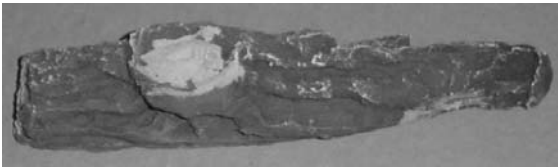


## Right Log Placement



The right log has two holes in the bottom that fit over the two pins on the burner. Place the log as shown above.

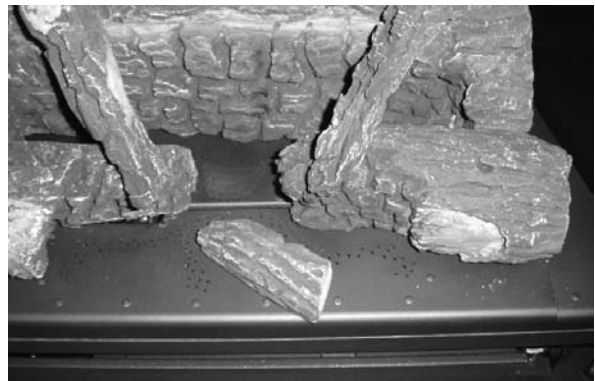
## Left Twig Placement



The left twig has a single hole on the bottom that fits over the pin on the rear log. Place the twig as shown above, noting how the twig points towards the center.

**Right Twig Placement**

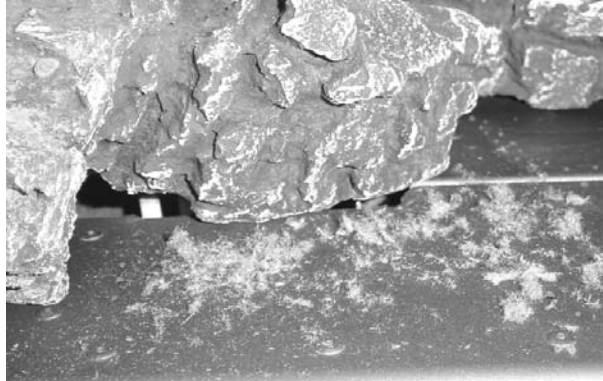
The right twig has a single hole on the bottom that fits over the pin on the rear log. Place the twig as shown above, noting how the twig points towards the center.

**Center Twig Placement**

The center twig is placed directly on the burner as shown above. Make sure it so it does not cover any burner holes

## Rockwool Installation

The included rock wool is placed on top of the burner to enhance the glow from the burner. **The rock wool works best when it is applied in a very thin, porous layer.** The best method for applying the rock wool is to brush it on to the burner. Compress a clump of rock wool between your thumb and forefinger. Use a stiff brush to apply a thin layer of rock wool fibers onto the burner. Do not use the entire bag of rock wool. Use only a small amount and save the remainder. Over-use of rock wool will diminish the glow and may cause sooting or other adverse conditions.



## Ember Placement

Place a layer of embers along the edges of the burner, rivets, and along any edges to enhance the aesthetics of the firebox. Do not place embers over any burner holes. See the photo below.

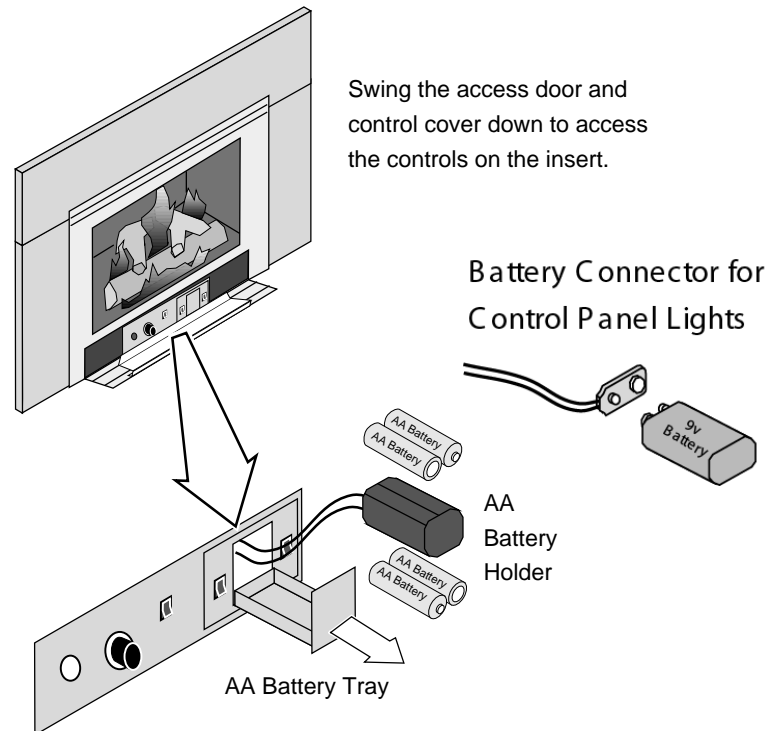


### Steps for Finalizing the Installation

1. Remove the glass (see page 22).

**NOTE:** If using propane (LP) convert the appliance prior to installing the logs.

2. We recommend you purge the gas line at this time (with the glass removed). This allows gas to be detected once it enters the firebox, ensuring gas does not build up.
3. Install the four AA batteries (included in the owner's pack) into battery holder (see the illustration below). The AA batteries act as a power backup in case the household (AC) power goes out and are required for operation. Install the 9v battery (included in the owner's pack) into control panel light assembly (see the illustration below).

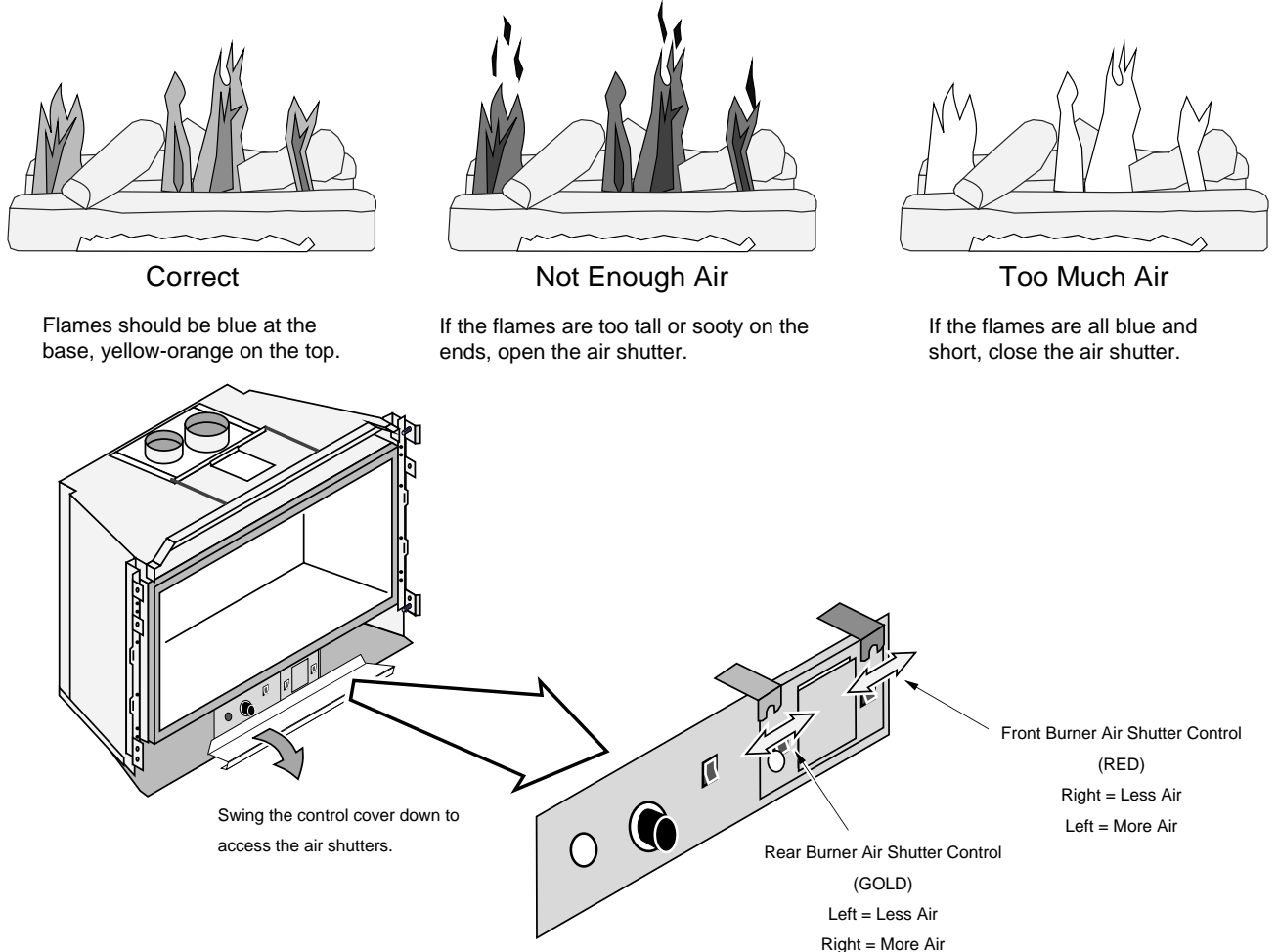


4. Install the logs (see page 24).
5. Replace the glass.
6. Start the heater.
7. Leak test all gas joints.

- Check the air shutter following the directions below.

## Air Shutter Adjustment

Let the heater burn for fifteen minutes (make sure the logs and glass are in place). The flames should be yellow with no sooting. Adjust the air shutter, if necessary, to achieve the correct looking flame.



- Attach the face following the directions included with the face.

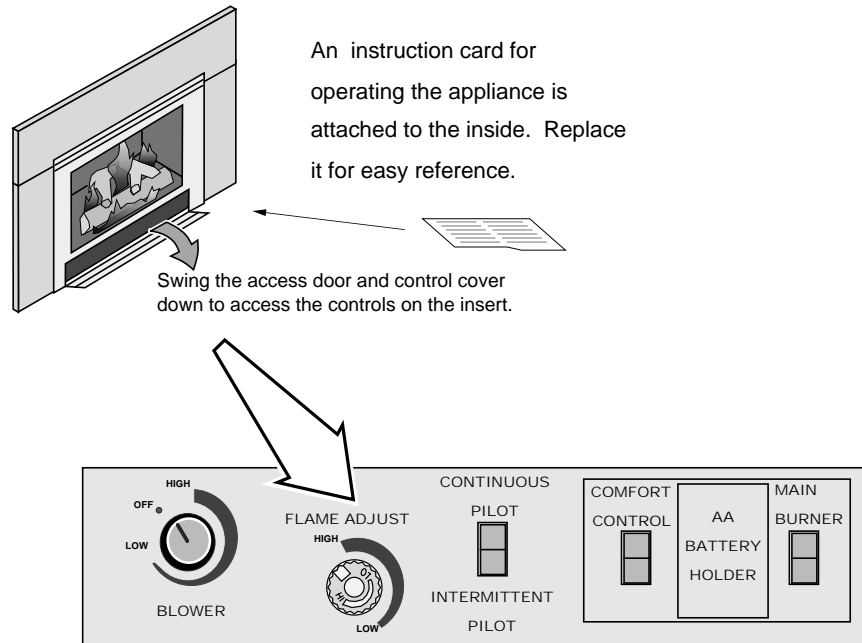
**NOTE:** If using a Rosario or Discovery face you will need to modify the face connector (see page 11 for details).

- Adjust the flame to its highest position - the flames should not contact the top of the firebox. Check the flame on low position. The flames should burn off of each burner hole. If the heater does not work correctly, contact your Travis dealer for a remedy.
- Give this manual to the home owner for future reference and fully explain operation of this heater.

**Before You Begin**

- Read this entire manual before you use your new heater (especially the section "Safety Precautions" on pages 4 & 5). Failure to follow the instructions may result in property damage, bodily injury, or even death.

**Location of Controls**



<b>Blower Control</b>	This knob controls the speed of the internal convection blower that pushes heated air into the room.
<b>Flame Adjust Knob</b>	This knob controls the flame height from low ("LO") to high ("HI").
<b>Continuous Pilot – Intermittent Pilot</b>	This switch controls how the pilot flame works. See the section "Continuous/Intermittent Pilot" for details.
<b>Comfort Control</b>	This switch turns the rear burner on and off.
<b>AA Battery Holder</b>	This holder contains 4 AA batteries that allow the fireplace to operate during power outages.
<b>Main Burner</b>	This switch turns the fireplace burners on and off.

## Starting the Heater for the First Time

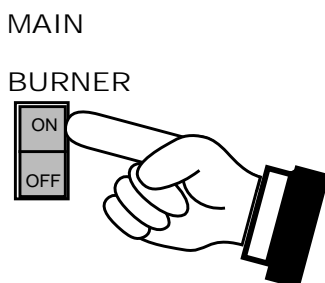
---

- Burn the heater at a high setting with the blower off for an extended period (up to 48 hours). This will cure the painted surfaces. **Fumes** from the paint curing and oil burning off the steel will occur. This is normal. We recommend opening a window to vent the room.
- **Condensation** may appear on the glass each time you start the heater - this is normal.
- **Blue Flames** will occur on the heater when it first comes on. After fifteen minutes the flames will turn a more realistic yellow and orange color.
- Verify the power backup and control light batteries are installed (see page 34).
- Certain installations use a remote, thermostat, or wall switch to turn the fireplace on and off. If this is the case, the ON/OFF may be required to be in the "ON" or "OFF" position (consult your installer).

## Turning the Fireplace On and Off

---

Use the main burner switch to turn the main burner on and off.



### **NOTE FOR REMOTES, THERMOSTATS, OR WALL SWITCHES:**

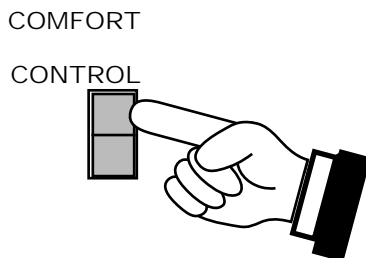
The on/off switch on the fireplace may be required to be left in the ON or OFF position for the fireplace to operate. Consult your installer or dealer for details.

- Do not place any combustible items on top of or directly in front of the fireplace, even temporarily. An optional thermostat may start the fireplace causing a combustible item to ignite.
- If the fireplace turns on and off frequently while using the thermostat, you may want to adjust the flame height down until it produces just enough heat needed.

## Comfort Control

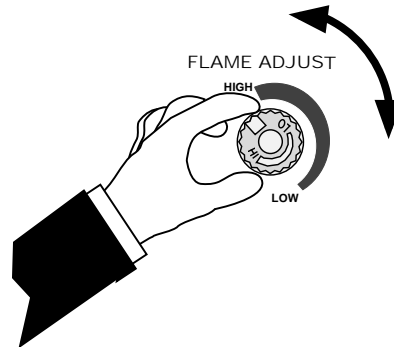
---

The rear portion of the burner may be shut off to lower the heat output and flame size from the burner (this is called the comfort control). Use the comfort control switch to adjust this as desired.



### ***Adjusting the Flame Height***

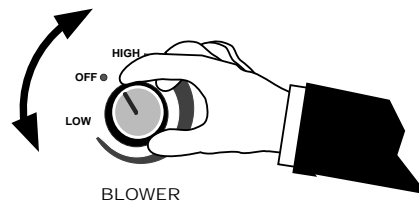
This fireplace has an adjustable flame to tailor the look and heat output to your specific needs. It is adjusted by turning the flame adjust knob.



### ***Adjusting the Blower Speed***

The blower helps transfer heat from the heater into the room. It will not turn on until the heater is up to temperature (approximately 15 minutes after starting). See the illustration below for instructions on adjusting the blower speed.

**NOTE:** With the rear burner off (comfort control), the heater may not become hot enough for the blower to turn on.



### ***Continuous/Intermittent Pilot Switch***

This heater may run with the pilot continuously running or in intermittent mode. For most homeowners, the intermittent mode is preferred (this saves fuel, doesn't give off un-needed heat). However, in some situations the homeowner may prefer to switch the heater to continuous pilot. The most typical reasons for switching to continuous pilot are:

- Very Cold Conditions – in very cold conditions you may notice that the burner does not light quickly, and the flames lift off the burner. If this is situation, we recommend you switch to continuous pilot. This will create a slight draft in the vent, allowing for the burner to light quickly and draft correctly.
- Excessive Condensation on Glass After Startup – certain installations may encounter excessive fogging on the window after startup (not just the first time the heater was started). This is an aesthetic condition that may be remedied by switching the heater to continuous pilot.
- Cold Glass or Heater Front – in very cold conditions you may notice that the heater front and glass become very cold. To remedy this, switch the heater to continuous pilot.
- Frequent On / Off Operation – if you are frequently turning the heater on and off, you may wish to leave it in continuous pilot. This allows the burner to turn on more quickly, without pilot ignition delay.



## Normal Operating Sounds

### Extinction Pops

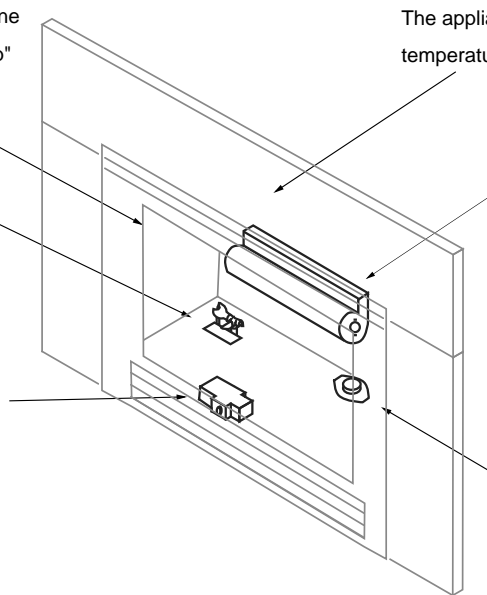
It is not unusual, especially on Propane (LP) appliances, to experience a "pop" when the burner is shut off.

### Pilot Assembly

The pilot flame will make a clicking sound when starting up. If left on, it will make a slight whisper sound.

### Gas Control Valve

As the gas control valve is turned on and off you will hear a dull clicking sound. This is the valve opening up and shutting down.



The appliance may creak with change of temperature -- THIS IS NORMAL.

### Blower

This heater has an optional blower to push heated air into the room. You will hear the sound of air movement that increases as the speed is increased.

### Blower Snap Disk

This part can produce a clicking sound as it turns the blower on and off.

## Normal Operating Odors

This appliance has several areas that reach high temperatures. Dust or other particles on these areas may burn and create an odor. This is normal during start-up. You may notice the smell is more acute if the appliance was left idle for a long period.

## Maintaining Your Heater's Appearance

Fingerprints or other marks left on the optional plated surface may become etched in place if they are not wiped clean prior to turning the heater on. Clean the plated surfaces with denatured alcohol and a soft cloth (with the heater cool). Other cleaners may leave a film that may become etched into the surface.

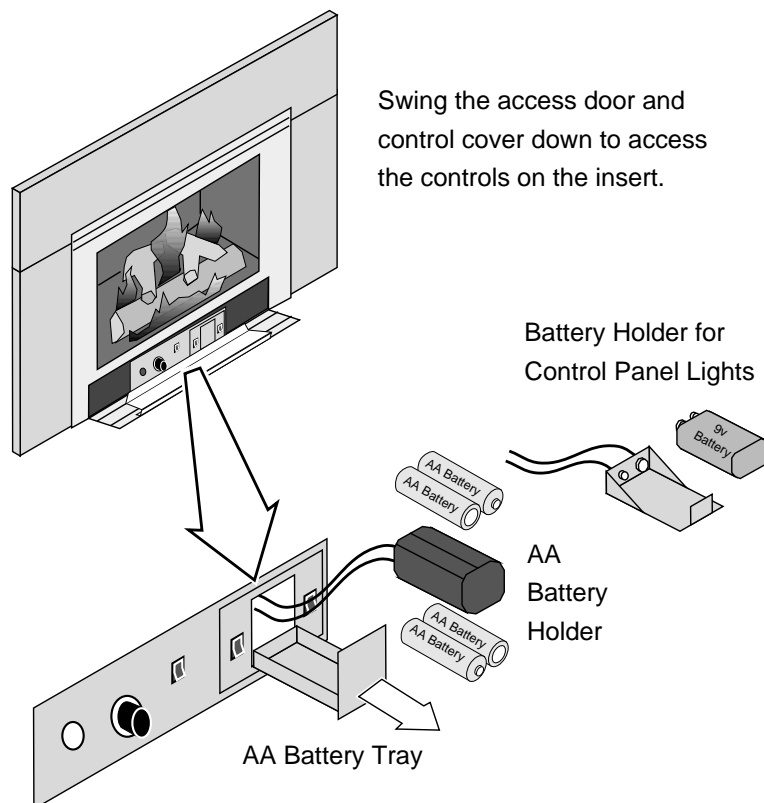
## Battery Replacement

### Power Backup Batteries

Four AA batteries are used as a power backup for the fireplace in case the household (AC) power goes out. They also power the comfort control feature. These batteries must be inserted into battery holder (make sure they contact the terminals - see the illustration below). The fireplace controller will beep once these batteries start to go dead. Replace batteries before each heating season to insure proper operation.

### Control Panel Light Battery

LED lights and a 9v battery are used to illuminate the control panel when the concealment cover is lifted. If the LED lights do not operate, replace the 9v battery (see the illustration below). The battery holder is held in place with Velcro and may be removed for easier access.

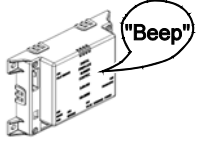


## Yearly Service Procedure

---

- Failure to inspect and maintain the heater may lead to improper combustion and a potentially dangerous situation. We recommend the following procedures be done by a qualified technician.
1. Turn the pilot flame to continuous. It should touch approximately 3/8" of the top of the flame sensor. If it does not, contact your dealer for service.
  2. Shut off gas to the heater and let it cool for 15 minutes. Remove the glass (see page 22).
  3. Remove the log set (**NOTE: the logs are very fragile** - see page 24). If severely deteriorated, replace. Check the logs for sooting. A small amount of soot along the bottom of the logs is normal. If excessive sooting is found, the heater will require adjustment. Contact your dealer.
  4. Inspect the burner and remove any debris.
    - Make sure the burner is not warped, cracked, or damaged.
    - Check the firebox and area around the pilot to make sure there is no warping or damage.
    - If any problem is found, discontinue use and contact your dealer for service.
  5. Replace the log set. Clean and replace the glass. If the glass is damaged, replace. Make sure the gasket along the perimeter of the glass contacts the face of the firebox and forms an air-tight seal. If it does not, re-align or replace the gasket to insure an air-tight seal.
  6. Inspect the area behind the access door. Clean if necessary. Check the gas control valve and the gas lines. If damage is found, discontinue use and contact your dealer for service. Clean the air channels, ducts, and blower (if applicable).
  7. Start the main burner. After 15 minutes the flames should be orange/yellow and not touch the top of the firebox. If the pilot or main burners do not burn correctly, contact your dealer for service. Monitor blower operation.
  8. Remove any debris or vegetation near the vent termination. Contact your dealer if any sooting or deterioration is found near the vent termination.

**Troubleshooting Table**

<b>Problem:</b>	<b>Possible Cause:</b>	<b>Don't Call for Service Until You:</b>
<b>Main Burners Will Not Start</b>	The ON/OFF switch is turned to "OFF" ..... The remote control is not working correctly ..... The thermostat is disconnected or set too low ..... No Propane in Tank .....	Turn the ON/OFF switch to "ON" See the remote control instructions See "Thermostat Operation" Check Tank Level
<b>Heater Beeps</b>	The power backup batteries are dead (heater will beep once repeatedly) ..... The heater encountered an error when trying to start (heater beeps 3 times repeatedly) ..... The heater encountered a pilot error (heater beeps 2 times repeatedly) .....	Replace the batteries (see page 34) Make sure gas is turned on. Turn heater off for 5 seconds (make sure standing pilot is off) – then turn back on. Contact your dealer if this occurs.
 <b>Thermostat Does Not Work</b>	The ON/OFF switch is turned to "OFF" ..... The thermostat is set too low .....	Turn the ON/OFF switch to "ON" Check thermostat
<b>Heater Will Not Distribute Heat</b>	The heater is not getting electricity ..... The heater is not up to temperature .....	Check the breaker switch Let the heater burn for at least 15 minutes
<b>Flames Are Too Blue</b>	The heater has just been started ..... Improper air shutter adjustment .....	This is normal - see "Starting the Heater for the First Time" Adjust Air Shutter - contact your dealer
<b>Flames Are Too Short (Under 6")</b>	The flame height may be turned too low .....	Turn the flame height to "HI" - See "Adjusting the Flame Height"
<b>Comfort Control Does not Work</b>	The AA batteries may be dead .....	Replace the AA batteries (see page 34)
<b>Thin Layer of Soot Covers the Glass</b>	The logs or coals are placed incorrectly ..... Improper air shutter adjustment .....	See "Log Set Installation" Adjust Air Shutter - contact your dealer

**Replacement Parts List**

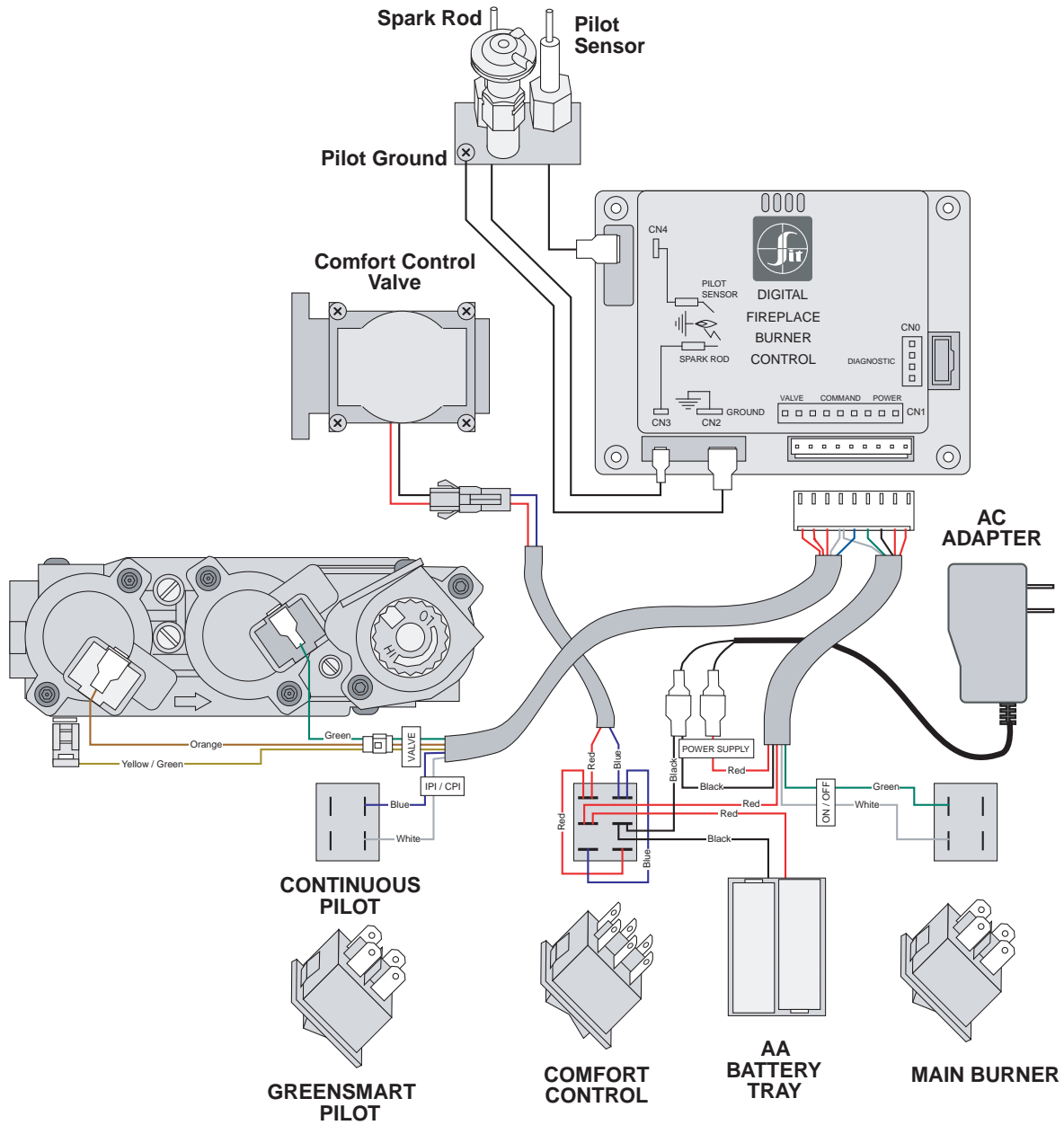
**Caution:** Use only Travis Industries replacement parts. Do not use substitute materials.

**Warning:** Do not operate appliance with the glass front removed, cracked, or broken. Replacement of the glass should be done by a licensed or qualified service person.

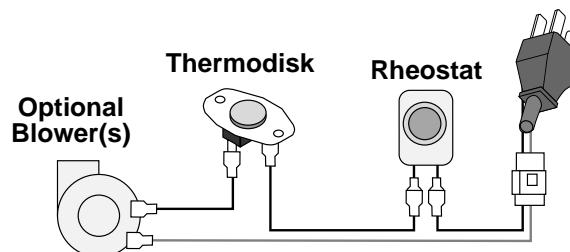
Contact your local Travis Industries Dealer for a Replacement Parts List

**Wiring Diagram**

**Caution:** Label all wires prior to disconnection when servicing controls. Wiring errors can cause improper and dangerous operation.



**Blower Wiring Diagram**



Safety Label

The safety (listing) label is attached to the operating tag (chained to the heater near the gas control valve). A copy is shown below

**Travis Industries**  
 Certified for USA and Canada

**DVS GSR Insert**  
 Report No. 028-573b-5

**31 DVI Insert**  
 Report No. 028-572c-5

**Vented Gas Fireplace Heater**

Tested to: ANSI Z21.88-2009/CSA 2.33-2009 "Vented Gas Fireplace Heater", CGA 2.17-091, UL 307b-1995 "Gas Burning Heating Appliances for Manufactured Homes", and CSA P1.09 Testing method for measuring annual fireplace efficiency. This appliance must be installed in accordance with local codes. If any, if none, follow the National Fuel Gas Code, ANSI Z223.1/NFPA 54, or Natural Gas and Propane Installation Codes, CSA B149.1.

This appliance must be installed in accordance with the current Standard CAN/CSA Z240 MH, Mobile Housing, in Canada or with the Manufactured Home Construction and Safety Standard, Title 24 CFR, Part 3280, in the United States, or when such a standard is not applicable, ANSINCSCGS A225.1/NFPA 507A, Manufactured Home Installation Standard.

This vented gas fireplace heater is equipped at the factory for use with natural gas. If conversion to propane (LP) is desired, the optional factory conversion kit must be used.

This appliance is only for use with the type of gas indicated on the rating plate and may be installed in an alternate, permanently located, manufactured (mobile) home (USA only) where not prohibited by local codes. See owner's manual for details. This appliance is not convertible for use with other gases, unless a certified kit is used.

This vented gas fireplace heater is not for use with air filters. Keep burner and control compartment clean. See installation and operating instructions accompanying appliance.

This appliance must be properly connected to a venting system in accordance with the manufacturer's installation instructions. Use only approved coaxial direct vent system to vent this appliance to the exterior. See owner's manual for approved brands of venting.

WARNING: Improper installation, adjustment, alteration, service or maintenance can cause injury or property damage. Refer to the owner's information manual provided with this appliance. For assistance or additional information consult a qualified installer, service agency or the gas supplier.

WARNING: This fireplace has been converted for use with a gas fireplace insert only and cannot be used for burning wood or solid fuels unless all original parts have been replaced, and the fireplace re-approved by the authority having jurisdiction.

WARNING: Failure to install this appliance per the manufacturer's instructions or failure to use only parts specifically approved with this appliance may result in property damage or personal injury.

**Minimum Clearances to Combustibles**

Side of Insert to Adjacent Wall ..... 4.5" (114mm)

Hearth Extension in Front ..... 0" (0mm)

Hearth Extension to Sides of Insert ..... 0" (0mm)

Base of Insert to Mantel ..... 34" to 35" (863 to 889mm)

Base of Insert to Top Facing ..... 35" (890mm)

Flue Vent ..... See Owner's Manual

\*See the Owner's Manual for complete details and additional installation options.

---

**FAN TYPE VENTED CIRCULATOR**

Blower Electrical Rating: 115V, 1.5 Amps, 60 Hz, 150 Watts

31 DVI Optional Blower: #99000167

---

Input Rate on "HI" (BTU/HR) .....	31,000	N.G.	Minimum Inlet Pressure (inches W.C.) .....	11"	N.G.
Input Rate on "LO" (BTU/HR) .....	12,600	10,700	Maximum Inlet Pressure (inches W.C.) .....	13"	5.5"
Orifice Size - Front (DMS) .....	#56	#50	Manifold Pressure on "HI" (inches W.C.) .....	11"	7"
Orifice Size - Rear (DMS) .....	#56	#47			3.5"


This appliance is equipped for use only at altitudes 0-2,000 feet (0-610m) in the USA. In Canada, 0-4,500 feet (0-1370m). For altitudes above 2,000 feet, the vent configuration, orifice, or combination of both may need to be changed. See owner's manual for information on making these changes.

---

**MANUFACTURE DATE:**

<input type="checkbox"/> 2010	<input type="checkbox"/> Jan.	<input type="checkbox"/> Apr.	<input type="checkbox"/> Jul.	<input type="checkbox"/> Oct.
<input type="checkbox"/> 2011	<input type="checkbox"/> Feb.	<input type="checkbox"/> May	<input type="checkbox"/> Aug.	<input type="checkbox"/> Nov.
<input type="checkbox"/> 2012	<input type="checkbox"/> Mar.	<input type="checkbox"/> Jun.	<input type="checkbox"/> Sep.	<input type="checkbox"/> Dec.

**Manufactured by:**



**TRAVIS INDUSTRIES  
HOUSE OF FIRE**  
 4800 Harbour Pointe Blvd. SW  
 Mukilteo, WA 98275

www.travisproducts.com

0837 IGN

**VENTED GAS FIREPLACE HEATER - NOT FOR USE WITH SOLID FUEL**

**CAUTION:** Hot while in operation. Do Not Touch. Severe burns may result. Keep children, clothing, furniture, gasoline and other liquids having flammable vapors away. Do not operate this appliance with glass removed, cracked or broken. Replacement of the panel(s) should be done by a licensed or qualified service person.

# Limited 7 Year Warranty

39

Register your TRAVIS INDUSTRIES, INC. Limited 7 Year Warranty online at [traviswarranty.com](http://traviswarranty.com), or complete the enclosed Warranty card and mail it within **ten (10)** days of the appliance purchase date to: TRAVIS INDUSTRIES, INC., 4800 Harbour Pointe Blvd. SW, Mukilteo, WA 98275. TRAVIS INDUSTRIES, INC. warrants this gas appliance (appliance is defined as the equipment manufactured by Travis Industries, Inc.) to be defect-free in material and workmanship to the original purchaser from the date of purchase as follows:

Check with your dealer in advance for any costs to you when arranging a warranty call. Mileage or service charges are not covered by this warranty. This charge can vary from store to store.

Component	Years 1 & 2 Parts & Labor	Years 3 Through 5 Parts & Labor	Years 6 & 7 Parts Only
<u>Burner Assembly</u> Burner Pan Assembly, Air Shutter Assembly, Main Burner Orifice	✓		
<u>Electrical Assembly (within heater structure):</u> Wiring harness, snap discs, rheostat speed control	✓		
<u>Gas Control Assembly</u> stable control valve, fireplace controller, pilot assembly and pilot wiring	✓		
<u>Glass</u> Glass (breakage from thermal shock)	✓		
<u>Ceramic Logs</u> Log Set, Embers	✓		
<u>Gold, Nickel &amp; Copper Plating</u> Face & Door (see "Conditions and Exclusions" # 9)	✓		
<u>Accessories</u> Firebacks, Power Heat Ducts, Andirons, etc...	✓		
<u>One-Way Freight Allowance</u> One-way freight allowance on pre-authorized repair done at factory is covered.	✓	✓	
<u>Convection Heat Exchanger</u> Convection heat exchanger assembly	✓	✓	
<u>Firebox Assembly</u> Adjustable Air Restrictor, Pressure Relief Mechanisms, Glass Attachment Mechanism	✓	✓	✓

## EXCLUDED COMPONENTS:

Paint, Gasketing, and Accent Light Bulbs

## CONDITIONS & EXCLUSIONS

- This new gas appliance must be installed by a qualified gas appliance technician. It must be installed, operated, and maintained at all times in accordance with the instructions in the Owner's Manual. Any alteration, willful abuse, accident, neglect, or misuse of the product shall nullify this warranty.
- This warranty is nontransferable, and is made to the ORIGINAL purchaser, provided that the purchase was made through an authorized TRAVIS dealer.
- Discoloration and some minor expansion, contraction, or movement of certain parts and resulting noise, is normal and not a defect and, therefore, not covered under warranty. The installer must ensure the appliance is burning as per the rating tag at the time of installation. Over-firing (operation above the listed BTU rate) of this appliance can cause serious damage and will nullify this warranty.
- The warranty, as outlined within this document, does not apply to the chimney components or other Non-Travis accessories used in conjunction with the installation of this product. If in doubt as to the extent of this warranty, contact your authorized TRAVIS retailer before installation.
- Travis Industries will not be responsible for inadequate performance caused by environmental conditions such as nearby trees, buildings, roof tops, wind, hills or mountains or negative pressure or other influences from mechanical systems such as furnaces, fans, clothes dryers, etc.
- This Warranty is void if:
  - The unit has been operated in atmospheres contaminated by chlorine, fluorine or other damaging chemicals.
  - The unit is subject to submersion in water or prolonged periods of dampness or condensation.
  - Any damage to the unit, combustion chamber, heat exchanger or other components due to water, or weather damage which is the result of, but not limited to, improper chimney/venting installation.
- Exclusions to this 7 Year Warranty include: injury, loss of use, damage, failure to function due to accident, negligence, misuse, improper installation, alteration or adjustment of the manufacturer's settings of components, lack of proper and regular maintenance, damage incurred while the appliance is in transit, alteration, or act of God.
- This 7 Year warranty excludes damage caused by normal wear and tear, such as paint discoloration or chipping, worn or torn gasketing, corroded or cracked logs, embers, etc. Also excluded is damage to the unit caused by abuse, improper installation, modification of the unit, drilling of the orifices, or the use of fuel other than that for which the unit is configured. Units are shipped for natural gas and must be converted to propane using the included conversion kit. Confirm fuel configuration with your installer.
- Damage to gold or nickel surfaces caused by fingerprints, scratches, melted items-, or other external sources left on the gold or nickel from the use of cleaners other than denatured alcohol is not covered in this warranty.
- TRAVIS INDUSTRIES, INC. is free of liability for any damages caused by the appliance, as well as inconvenience expenses and materials. Incidental or consequential damages are not covered by this warranty. In some states, the exclusion of incidental or consequential damage may not apply.
- This warranty does not cover any loss or damage incurred by the use or removal of any component or apparatus to or from the gas appliance without the express written permission of TRAVIS INDUSTRIES, INC. and bearing a TRAVIS INDUSTRIES, INC. label of approval.
- Any statement or representation of TRAVIS products and their performance contained in TRAVIS advertising, packaging literature, or printed material is not part of this 7 year warranty.
- This warranty is automatically voided if the appliance's serial number has been removed or altered in any way. If the appliance is used for commercial purposes, it is excluded from this warranty.
- No dealer, distributor, or similar person has the authority to represent or warrant TRAVIS products beyond the terms contained within this warranty. TRAVIS INDUSTRIES, INC. assumes no liability for such warranties or representations.
- Travis Industries will not cover the cost of the removal or re-installation of hearths, facing, mantels, venting or other components.
- If for any reason any section of this warranty is declared invalid, the balance of the warranty remains in effect and all other clauses shall remain in effect.
- THIS 7 YEAR WARRANTY IS THE ONLY WARRANTY SUPPLIED BY TRAVIS INDUSTRIES, INC., THE MANUFACTURER OF THE APPLIANCE. ALL OTHER WARRANTIES, WHETHER EXPRESS OR IMPLIED, ARE HEREBY EXPRESSLY DISCLAIMED AND PURCHASER'S RECOURSE IS EXPRESSLY LIMITED TO THE WARRANTIES SET FORTH HEREIN.**

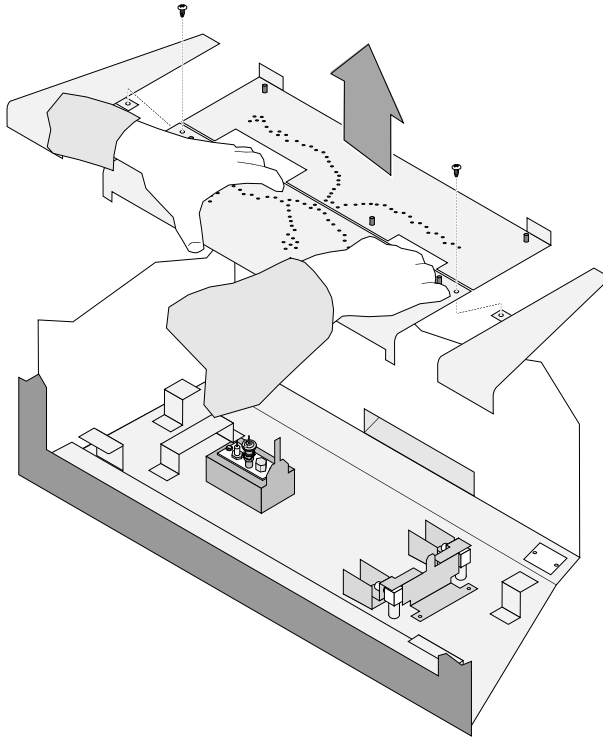
## IF WARRANTY SERVICE IS NEEDED:

- If you discover a problem that you believe is covered by this warranty, you **MUST REPORT** it to your TRAVIS dealer **WITHIN 30 DAYS**, giving them proof of purchase, the purchase date, and the model name and serial number.
- Travis Industries has the option of either repairing or replacing the defective component.
- If your dealer is unable to repair your appliance's defect, he may process a warranty claim through TRAVIS INDUSTRIES, INC., including the name of the dealership where you purchased the appliance, a copy of your receipt showing the date of the appliance's purchase, and the serial number on your appliance. At that time, you may be asked to ship your appliance, freight charges prepaid, to TRAVIS INDUSTRIES, INC. TRAVIS INDUSTRIES, INC., at its option, will repair or replace, free of charge, your TRAVIS appliance if it is found to be defective in material or workmanship within the time frame stated within this 7 year warranty. TRAVIS INDUSTRIES, INC. will return your appliance, freight charges (years 1 to 5) prepaid by TRAVIS INDUSTRIES, INC., to your regional distributor, or dealership.
- Check with your dealer in advance for any costs to you when arranging a warranty call. Mileage or service charges are not covered by this warranty. This charge can vary from store to store.

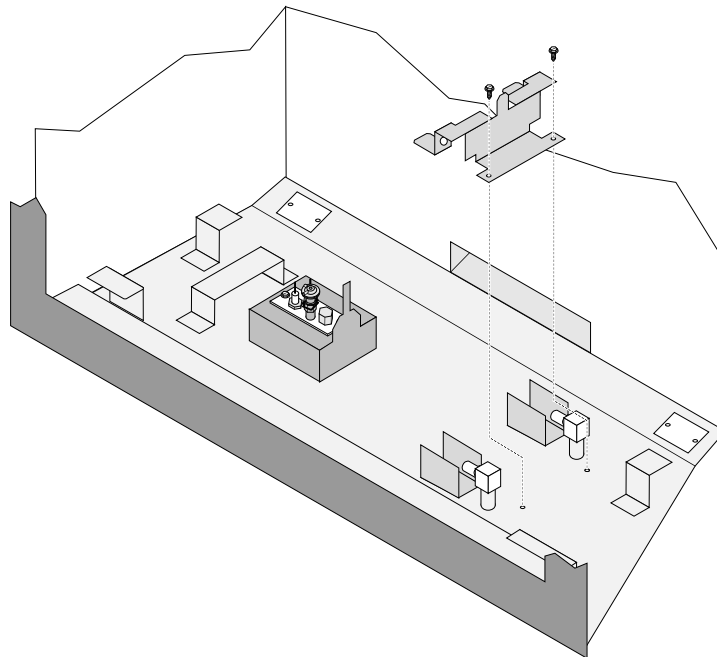
## ***LP Conversion Instructions***

**Install the conversion kit prior to installing the gas line to ensure proper gas use.**

- 1 Remove the glass (see page 22). Remove the logs and embers (if installed - page 24)
- 2 Remove the two screws holding the ember trays in place (see below). Remove the ember trays. Grasp the burner with both hands and lift it straight up and out of the firebox.

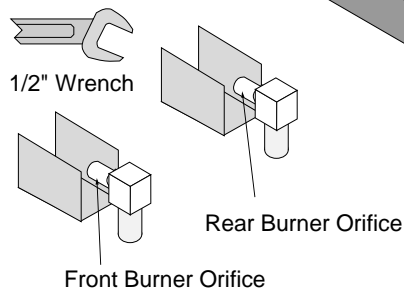
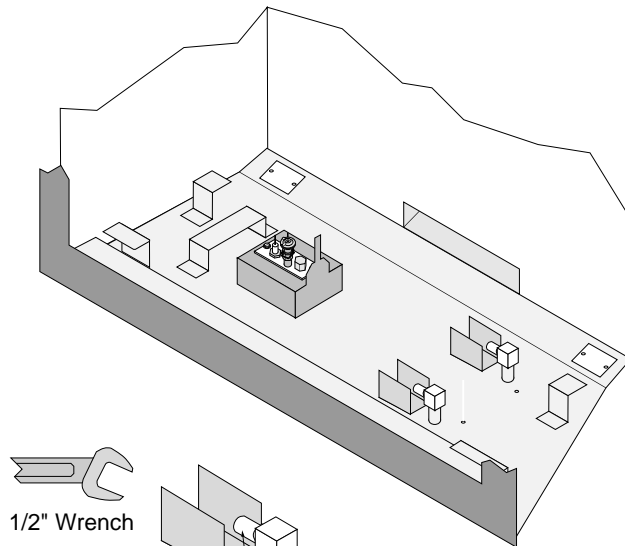


- 3 Remove the manifold cover to access the burner orifices (see below).



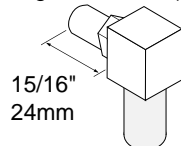


4 Follow the directions below to replace the orifices.

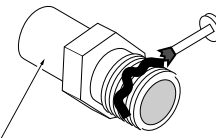


**(a)** Use a 1/2" open end wrench to unscrew the two orifices.

**(c)** Screw each LP orifice in so the orifice protrudes 15/16" (24mm) (indicating full insertion).



**(b)** Apply thread sealant to the LP orifices prior to installation. Use the chart below to identify the correct orifices.

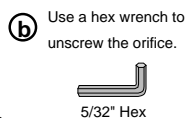
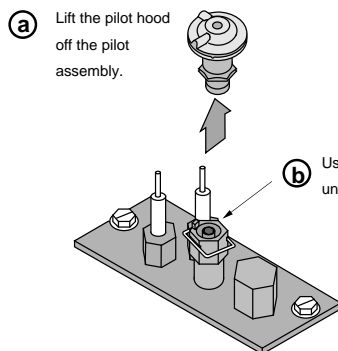


Look here for the orifice identification

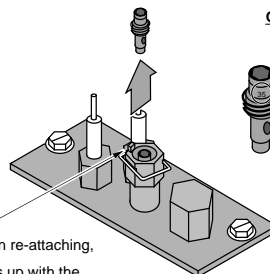
	NG	LP
Front	#50	#56
Rear	#47	#56

5 Replace the manifold cover.

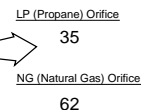
6 Remove the pilot orifice following the instructions below. Replace with the propane pilot orifice



**(c)** Remove the orifice and replace with the LP orifice. Screw the orifice all the way in and replace the pilot hood.



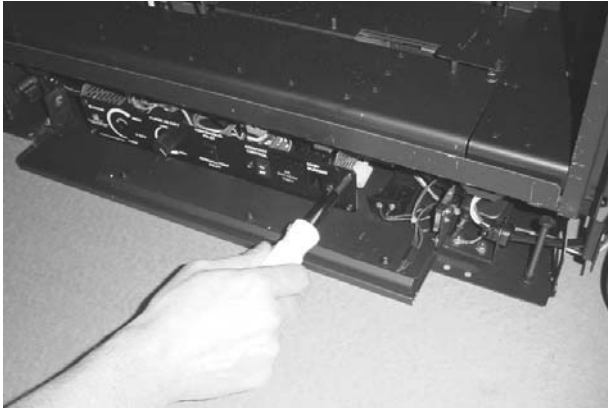
**Orifice Identification:**



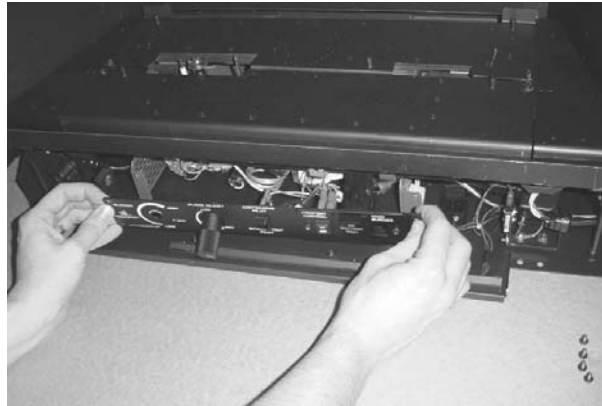
**NOTE:** when re-attaching, this pin lines up with the notch in the pilot hood.

7 Replace the firebox components.

- 8 Remove the four screws holding the control cover in place (see picture below). Pull the control cover forward slightly and disconnect the flame height knob (do not remove the knob). This allows the control cover to move upwards, away from the concealment cover.



- 9 Pull the control cover forward, taking care to not damage any wiring (see picture below). This will allow access to the gas control valve.



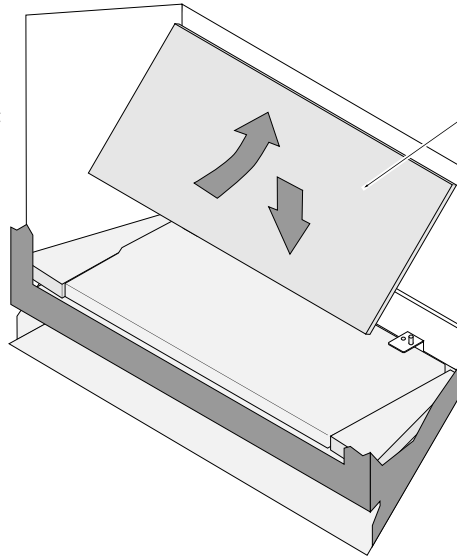
- 10 Use a T-20 torx wrench to remove the stock regulator (see picture below). This item may be discarded.



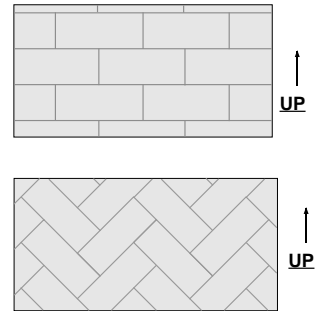
- 11 The LP regulator has an installation sheet included with it – make sure to follow all of the directions. Place the regulator on the gas control valve – **MAKE SURE IT IS CORRECTLY ORIENTED**. Secure using the screws included with the motor – tighten to 25 Lb-inches. Leak test this area after installation to verify proper installation.
- 12 Restore the appliance to the correct configuration. Make the gas line connection, bleed the gas line (if applicable), start the heater and thoroughly leak-test all gas connections and the gas control valve.

**Firebacks**

Slide the top of the rear fireback behind the baffle on top of the firebox and pivot it back into place. It rests on the shelf at the back of the firebox.

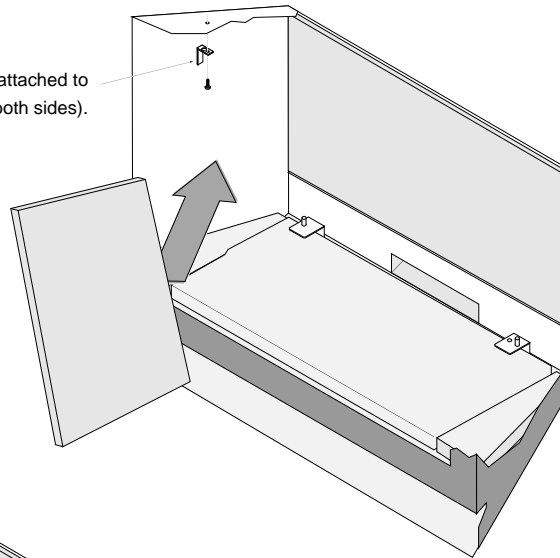


**NOTE:** The rear fireback must be installed as shown below for the brick pattern to line up with the side firebacks.

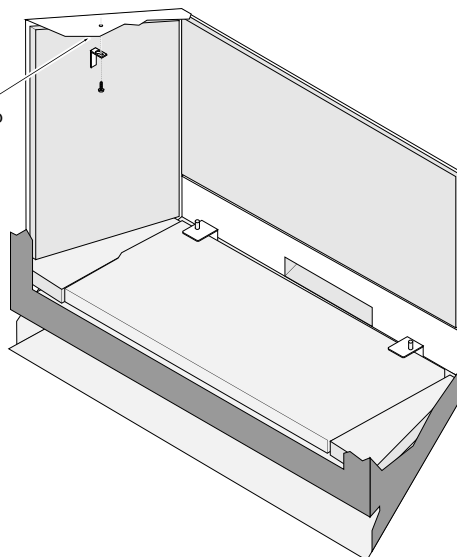


Remove this clip attached to the firebox ceiling (both sides).

Hold the side firebacks at a slight angle and place them into position (both sides).



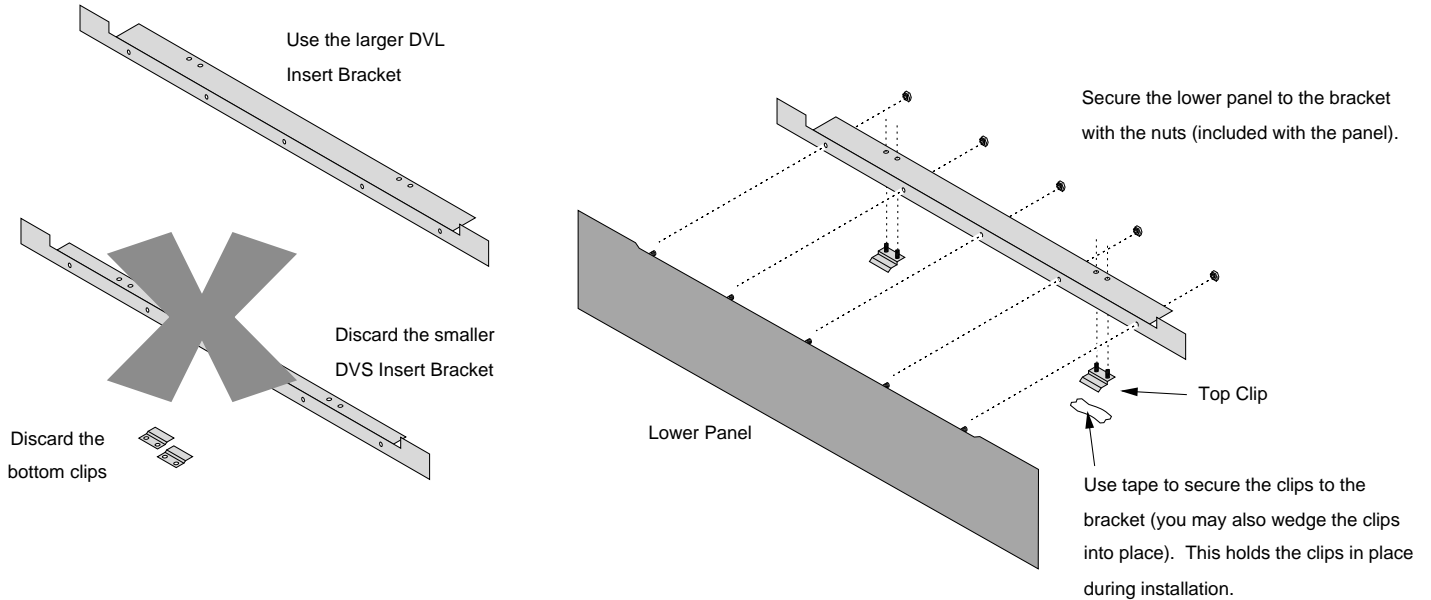
Replace the clip to secure the side fireback (both sides).



**Lower Surround Panel**

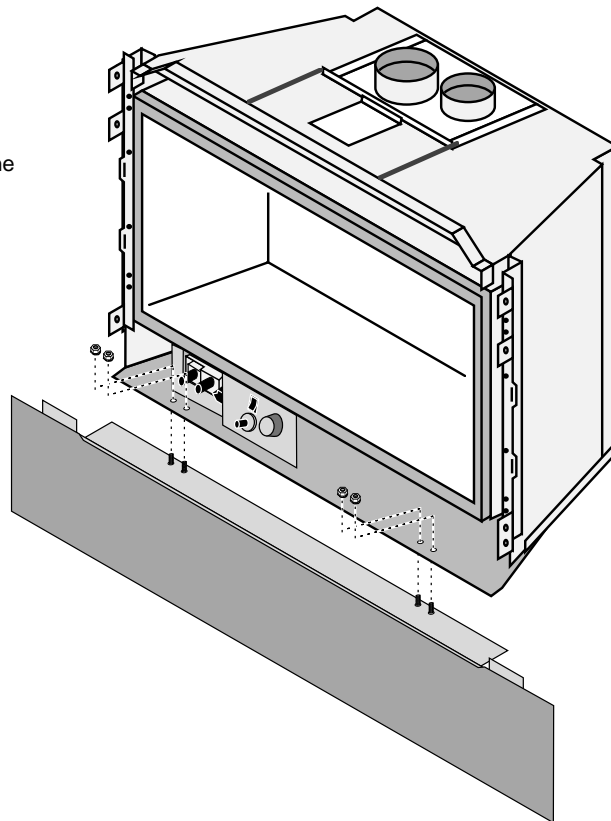
The older lower surround panel (sku 98500619 and 98500628) are installed in a different fashion than illustrated in the instruction sheet included with the panel. Follow the directions below.

- 1 Prepare the panel following the directions below.



- 2 Attach the panel to the insert following the directions below.

Attach the lower surround panel to the  
insert with the nuts (included with the  
panel).





Additional Items Required.....	7	Leveling Bolts.....	9
Adjusting the Blower Speed.....	32	Listing Details.....	2
Adjusting the Flame Height.....	32	Location of Controls.....	30
Battery Replacement.....	34	Log Set Installation.....	24
Before You Begin.....	30	Lower Surround Panel.....	44
Blower Wiring Diagram.....	37	LP Conversion Instructions.....	40
Clearances.....	10	Maintaining Your Heater's Appearance.....	34
Comfort Control.....	31	Modifying the Face Connector.....	11
Continuous/Intermittent Pilot Switch.....	32	Mounting the Bedford Face.....	12
Dimensions.....	6	Normal Operating Odors.....	33
Electrical Specifications.....	6	Normal Operating Sounds.....	33
Face Mounting Brackets.....	12	On/Off Switch Installation.....	21
Face Sizing.....	11	Order of Installation.....	7
Features.....	6	Packing List.....	7
Firebacks.....	43	Replacement Parts List.....	36
Fireplace Requirements.....	8	Rheostat Installation.....	21
Fuel.....	6	Safety Label.....	38
Gas Line Requirements.....	13	Starting the Heater for the First Time.....	31
Glass Frame Removal and Installation.....	22	Steps for Finalizing the Installation.....	28
Hearth Requirements.....	9	Surround Panel Installation.....	19
Heating Specifications.....	6	Top Convection Deflector.....	8
Important Information.....	2	Troubleshooting Table.....	36
Installation Options.....	6	Turning the Fireplace On and Off.....	31
Installation Warnings.....	7	Vent Requirements.....	14
Introduction.....	2	Wiring Diagram.....	37
Items Packed with the Face.....	7	Yearly Service Procedure.....	35