

# Owner's Manual

## Residential Factory Built Fireplace

---

*Operation • Maintenance • Installation*

---

# ***DELTA2***



Keep these instructions for future use.

**RSF**  
WOODBURNING FIREPLACES

**Dear Customer,**

The DELTA2 incorporates technology with elegance to give you a beautiful view of the fire without compromising on heating efficiency or environmental quality.

We have designed your new DELTA2 to be easy to install, operate and maintain. It is in your best interest to become familiar with it. Study your manual to be sure that the installation is correct, then follow the guidelines for operation and maintenance.

We at RSF Woodburning Fireplaces congratulate you on your choice of the DELTA2, and are confident that you have purchased a fireplace that is *simply, the best.*

Sincerely,

RSF Woodburning Fireplaces TEAM

March 2006

---

## TABLE OF CONTENTS

<b>SAFETY FIRST</b>	<b>3</b>	<b>INSTALLATION</b>	<b>9</b>
Do's AND DONT'S	3	MOVING THE DELTA	9
CREOSOTE: FORMATION AND REMOVAL	3	NAILING BRACKET INSTALLATION	9
<b>GENERAL SPECIFICATIONS</b>	<b>4</b>	LOCATION	10
THE COMBUSTION CONTROL SYSTEM	4	CEILING CLEARANCE	13
OPTIONS	4	OUTSIDE AIR DUCT	13
UNIT DIMENSIONS AND CLEARANCES	5	CHIMNEY	13
<b>OPERATION</b>	<b>6</b>	CHIMNEY INSTALLATION	14
AIR CONTROL	6	OFFSET CHIMNEY	15
LIGHTING	6	CHASE ENCLOSURE	15
THE FIRST FIRE	7	MASONRY CHIMNEY	16
REFUELING	7	FRAMING	17
<b>MAINTENANCE</b>	<b>7</b>	HEARTH EXTENSION	18
GENERAL CLEANING	7	BENEATH HEARTH EXTENSION	18
PAINT	7	MANTEL	18
GLASS CLEANING	7	MANDATORY OPTIONS WITH THE CLEAN FACE	18
CHIMNEY CLEANING	7	REFRACTORY BRICK INSTALLATION	18
DISPOSAL OF ASHES	8	<b>LISTING LABEL</b>	<b>20</b>
DOOR SEAL ADJUSTMENT	8	<b>COMPLETE OPTIONS LIST</b>	<b>21</b>
DOOR AND WINDOWS POSITION ADJUSTMENT	8	<b>CONFIGURED OPTIONS LIST</b>	<b>22</b>
GOLD PLATING	9	<b>EXPLODED DRAWINGS</b>	<b>23</b>
		<b>LIMITED WARRANTY</b>	<b>25</b>

---

---

## SAFETY FIRST

### DO'S AND DONT'S

If this fireplace is not properly installed, a house fire could result. For your safety, follow the installation directions. Contact your local authority having jurisdiction (such as municipal building department, fire department, fire prevention bureau, etc.) regarding restrictions and installation requirements, and the need to obtain a permit.

To ANYONE using this fireplace: these **DO's** and **DO NOTs** are for your safety.

1. **DO** read this instruction manual before lighting your first fire.
2. **DO** burn seasoned wood fuel or densified fuel logs without any additives.
3. To avoid glass breakage, **DO NOT** slam the fireplace door.
4. **DO NOT** ever use gasoline, gasoline-type lantern fuel, kerosene, charcoal lighter fluid or similar liquids to start or freshen up a fire in this fireplace. Keep all such liquids well away from the fireplace while it is in use.
5. **DO NOT overfire the fireplace. If you are unable to slow down the burning rate of the fire or if the chimney connector behind the top louver glows red, you are overfiring the fireplace.**
6. **DO operate the fireplace with doors either fully closed or fully open with the firescreen.** If the door is left partly open, gas and flame can be drawn out of the fireplace opening, creating both fire and smoke hazards.
7. If you use the fireplace with the door wide open, install a firescreen (FO-FDFSD) to prevent logs and sparks from burning your floor. Under no circumstances should the fireplace be used without either the door closed or the firescreen installed.
8. **DO** keep all combustible materials (furniture, firewood, etc.) at least 4' away from the front of the fireplace.
9. **DO NOT** use a fireplace grate or other products not specified for use with this fireplace.
10. **DO** read the section about MOVING THE DELTA2 before you begin the installation.



♦ **NOTE:** We strongly recommend that our products be installed and serviced by professionals who are certified by the National Fireplace Institute in the U.S. or by Wood Energy Technology Transfer Inc. in Canada.



### CREOSOTE: FORMATION AND REMOVAL

When wood is burned slowly, it produces tar and other organic vapors which combine with the expelled moisture from the wood to form creosote. The creosote vapors can condense in the relatively cool chimney of a slow burning fire. When ignited, this creosote makes an extremely hot fire. The chimney should be inspected periodically during the heating season to see if a creosote build-up has occurred. If a significant layer of creosote has accumulated (1/4" or more), it should be removed to reduce the risk of chimney fire.

❖ **WARNING: BURN DRY WOOD ONLY. DO NOT BURN: DRIFTWOOD, TREATED WOOD, COAL, GARBAGE, OR PLASTIC.**

Do not use construction scraps (e.g. 2x4 or plywood scraps) as your only supply of fuel as you can overheat and seriously damage the fireplace. Do not use more than one wax fuel log (e.g. Duraflame) at a time and only with a firescreen on the fireplace. Use only firelogs that have been evaluated for fireplace use. In Canada, they should meet the requirements of ULC/ORD-C127-M1990. Refer to the firelog warnings and caution markings prior to use.

---

---

## **GENERAL SPECIFICATIONS**

### **THE COMBUSTION CONTROL SYSTEM**

Since the door is sealed, all combustion air must come through the DELTA2's draft control. This control has a bimetal coil to allow more air when the unit is cold, and less air when the unit is hot, guarding against overheating. It can be controlled either manually with the lever that is located below the right window frame, or automatically with an optional electric wall thermostat.

The first few days, it is best to operate the fireplace with the manual control fully open (moved to the right as far as possible). Just control the fire as you would any normal fireplace, using one or two logs at a time for a smaller fire, or more logs for more heat. Once you become familiar with operating the fireplace with the control open, you can start experimenting with lower settings. Remember: when the fireplace is hot, the control will not need as much movement to reduce the fire as when it is cold. The bimetal coil will already have shut the damper part way.

### **OPTIONS**

There are many different ways you can finish your DELTA2 fireplace no matter what basic unit you have purchased (black door: FF-DEB2, gold door: FF-DEG2, or pewter door: FF-DEP2). You can choose to install upper and lower louvers which are available in various colors (black: FO-DLB2, gold: FO-DLG2, or pewter: FO-DLP2) or no louvers at all (FO-F).

If you choose to install your DELTA2 fireplace without any louvers, you MUST install the Clean Face Option (FO-F) along with two Gravity Vent Kits (FO-V). Be aware that you CANNOT install Gravity vent dampers on a Clean Face DELTA2. Furthermore, we do not recommend that you install any option requiring electricity or a thermal switch in the fireplace because of the difficulty to access these components after installing the masonry finish on your fireplace. If you do install electricity or a thermal switch in a Clean Face DELTA2, you may have to break through the masonry finish at some point in time for maintenance purposes.

To simplify the installation of thin non-combustible materials such as ceramic tile or sliced brick, we have designed rock retainer kits. They are not designed or required for full brick or stone. With a Louvered DELTA2, you can choose to leave all the black metal completely exposed, partially exposed or completely covered with non-combustible material. We offer rock retainer kits to help with the installation of non-combustible materials on a Louvered DELTA2 (FO-FDKD for perimeter partial coverage and FO-FDKD-1 for complete coverage). We also have a rock retainer kit for the Clean Face DELTA2 (FO-KD2). Thin materials can also be installed directly on the face of the DELTA2 using high temperature silicone as glue, without a rock retainer kit.

For increased air circulation and marginally more heat output, you can add the Circulating Internal Blower (FO-FDHB5-N) to your Louvered DELTA2 or the Inline Fan (FO-CIF) to your Clean Face DELTA2.

If you have any rooms directly above or adjacent to the room with the fireplace that you would like to heat, you may want to consider the Gravity Vent Kit (FO-V). The gravity vent distributes hot air to these rooms and requires no blower to assist its operation.

For constant heat, day and night, you will be surprised by what the Thermostat Option (FO-FDHC4) can do for you. This option provides you with the necessary parts to automatically control the draft control via a wall thermostat. It will keep your room temperature as even as though you were heating with oil, gas or electricity, except you will find wood heat more comfortable.

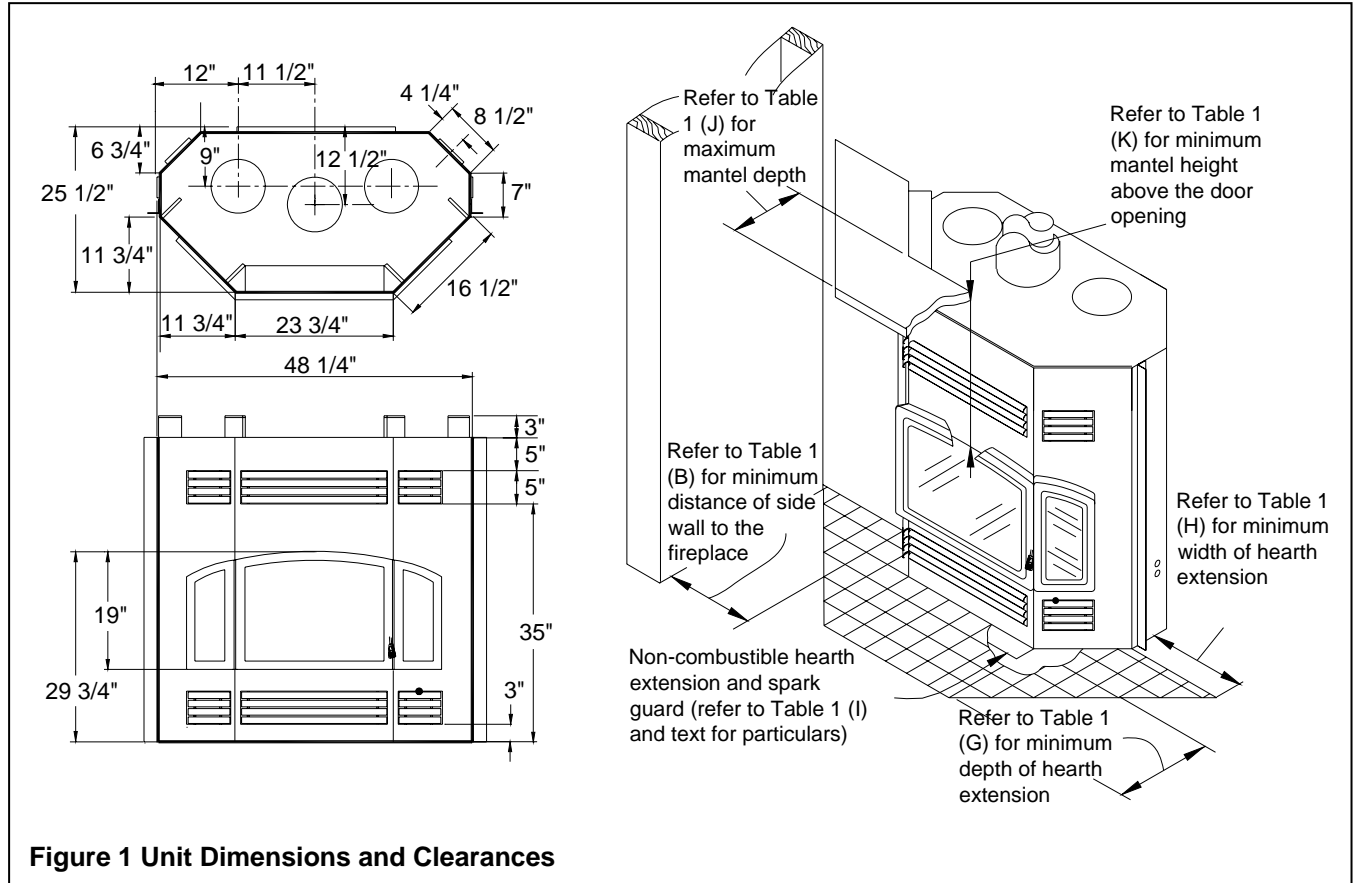
To maximize the distribution of the heat generated by your DELTA2 fireplace throughout many rooms and different floors, consider the Central Heat Option. With our Central Heat Blower (FO-FDHB6-1), you can use the house central heating ducts or dedicated ducts to circulate the fireplace heat to one or many rooms. The Central Heat Control (FO-FDHC6) will enable automatic control of the Central Heat Blower via a wall thermostat and thermal switch. The Zone Heat Control (FO-FDHCZ1) along with Zone Damper Kits (FO-FDHCZ2) will provide the same features as the Central Heat Control but for more than one heating zone. If you wish to install the Central Heat Blower on a Clean Face DELTA2, you will need the Central Heat Tee (FO-T) that will enable you to connect the central heat duct along with the left gravity vent on the fireplace.

This fireplace has been specially designed to combine high efficiency with the elegance of a wood burning fire. Most often you will take advantage of the high efficiency and the control possible with your new DELTA2 wood burning fireplace. If you would like to enjoy the sight and sound of an open fireplace, or simply have less heat output in a warmer weather you may wish to install the optional DELTA2 firescreen (FO-FDFSD).

◆ **NOTE:** Many options require wiring and/or electricity for their installation. If there is any chance that any of these options will be installed in the future then suitable wiring should be run during framing. Otherwise, it will be difficult to install these options later.

Detailed installation instructions are included in the box with each option. These can also be obtained from our Internet Web Site: [www.icc-rsf.com](http://www.icc-rsf.com).

**UNIT DIMENSIONS AND CLEARANCES**



**Figure 1 Unit Dimensions and Clearances**

**Table 1 DELTA2 Dimensions and Clearances**

A	Distance of combustible material from side, back and top standoffs	0" (0,0 mm)
B	Minimum distance of side wall to the side of the fireplace	11" (279 mm)
C	Ceiling clearance: from the base of the fireplace to the ceiling	7' (2,13 m)
D	Minimum chimney height: minimum total chimney height from fireplace top to below the chimney rain cap (at sea level and no offset)	12' (3,66 m)
E	Maximum chimney height: maximum total chimney height from fireplace top to below the chimney rain cap	40' (12,19 m)
F	Maximum chimney height supported by the DELTA2 fireplace	16' (4,88 m)
G	Minimum depth of non-combustible hearth extension: from the front of the fireplace	16" (406 mm)
H	Minimum width of non-combustible hearth extension: from sides of the door opening	8" (203 mm)
I	Minimum width of the spark guard	23 ¾" (603 mm)
J	Maximum mantel depth	12" (305 mm)
K	Minimum height of a combustible mantel above the top of the door opening: from the highest point of the top of the door opening to below the combustible mantel (refer to the "Installation: Mantel" section for particulars)	23" (584 mm)

## OPERATION

### AIR CONTROL

The combustion air control handle is located below the right window frame (see Figure 2). When the handle is to the far right, the control is fully open and the fire will burn more quickly. When the handle is to the far left, it is fully closed and the fire will burn more slowly.

Independent of the air control handle position, right (open) or left (closed), the bimetallic coil integrated in the draft control will cycle through keeping the air control open in the position you have selected until the bimetallic coil becomes warm enough to close the draft control to prevent overheating. It will then cool down until it is cool enough so that the bimetallic coil will open the draft control back to the position you have selected until it is warm enough to close the draft control again.

### LIGHTING

Before starting a fire, make sure to completely open the draft control. It is located below right window frame and should be pushed completely to the right. Light a fire in the fireplace, starting with paper and kindling only. Then add three or four pieces of wood, about 3" diameter. After the fire is established, close the door. Never use any flammable liquids. Once a coal bed is established, add standard cord wood. Leave the draft control open until the fire is well lit, then adjust it to the level you desire.

❖ **WARNING: DO NOT USE A GRATE OR ELEVATE THE FIRE.**



**Figure 2 Air Control**

## **THE FIRST FIRE**

You will experience a slow start-up during the first few fires. The refractory bricks contain moisture from manufacturing and require a few hot fires to evaporate the moisture. While there is still moisture in the bricks, the bricks will be black with smoke deposits. When the moisture has dissipated, the bricks will turn white. You will experience a slight odor during the first few fires. This odor comes from curing paint and oil burning off the metal.

**Before the first fire, be absolutely sure to wipe off all fingerprints and debris from the gold plating, if you have chosen this option. The plating cures during this first fire, and the acid from your finger prints will permanently etch the gold plating.**

## **REFUELING**

Fuel wood can be of any species but the fireplace will not burn cleanly or efficiently unless the wood is well seasoned. Keep your firewood under cover.

**The door should be opened slowly to keep smoke from spilling into your room. If you have a problem with smoke spillage, check to see that all kitchen and bathroom fans have been shut off. They can cause negative pressure in the house which pulls smoke out of the fireplace.**

♦ **NOTE:** The central heat and internal blowers, if installed, should be shut off during refuelling to prevent smoke from spilling out of the fireplace.

---

## **MAINTENANCE**

### **GENERAL CLEANING**

The high heat paint and plating can be cleaned with a soft damp cloth. Use a mild detergent and water. Do not use abrasive cleaners.

### **PAINT**

You can touch up the face of the DELTA2 with *Stove Bright* Metallic Black high temperature paint which is available at most fireplaces dealers. Follow the directions outlined on the spray can. **DO NOT** attempt to paint the fireplace while it is still warm. Keep the spray can away from any source of heat or open flame. Ensure that there is adequate ventilation in the room from the time you start painting until the paint is dry. *Stove Bright* is available in a wide range of colors if you want to change the color of your DELTA2.

We recommend that you take the time to protect or remove any item that you do not want to paint such as: the door glass, the plated door, the fireplace surroundings, etc. The glass can be removed from the door but you will have to replace the gasket.

### **GLASS CLEANING**

In a controlled combustion firebox, temperatures are not always high enough to keep the glass perfectly clean. A good hot fire once a day usually cleans off most of the deposits that have accumulated. Remember: the drier the wood, the cleaner the glass. A word of caution: although heat will not break the glass, impact can. Be careful not to hit the glass.

❖ **WARNING: NEVER CLEAN THE GLASS WITH AN ABRASIVE CLEANER. USE ONLY A CLEANER RECOMMENDED BY YOUR DEALER. NEVER CLEAN THE GLASS WHILE IT IS HOT, A SERIOUS BURN CAN RESULT. THERE ARE A NUMBER OF EXCELLENT WOOD STOVE GLASS CLEANERS AVAILABLE WHICH ARE FAR SUPERIOR TO REGULAR GLASS AND OVEN CLEANERS FOR WOOD STOVE APPLICATIONS.**

### **CHIMNEY CLEANING**

Check the chimney for creosote buildup every week or so until experience shows how often you need to clean it. A buildup of ¼" or more should be cleaned before more creosote accumulates. Use an 8" round brush. The baffle in the firebox can be removed to gain access to the flue from below.

To remove the baffle, first remove the secondary air tube. Simply unscrew the secondary air tube on the left side,

slide the tube toward the right until the left end drops out of its hole. Slide the tube back towards the left to get the right end out of its hole. To remove the baffle, push up and slide it off the brackets. Replace both the baffle and the secondary air tube as you removed them and be sure to have the holes on the secondary air tube facing toward the front.

### **DISPOSAL OF ASHES**

Remove the ashes before they become too deep, before you have a spillage problem when you open the door.

The ashes should be placed in a metal container with a tight-fitting lid. The closed container of ashes should be placed on a non-combustible floor or on the ground, well away from all combustible materials pending final disposal. If the ashes are disposed of by burial, or otherwise locally dispersed, they should be retained in the closed container until all cinders have thoroughly cooled.

### **DOOR SEAL ADJUSTMENT**

The door hinges on the fireplace can be adjusted for easy installation/removal of the door, and for proper sealing of the door.

To check for a proper door seal, insert a thin sheet of paper between the door and the front of the fireplace and latch the door. Pull gently but firmly on the sheet of paper. If the paper either tears or is hard to retrieve, the adjustment is correct. Repeat this procedure along all sides of the door.

The most important factor for controlling the burning rate of the DELTA2 is a good seal on the door gasket. If the door gasket is worn or damaged to the point where the seal is not adequate as described above, then remove and replace the gasket. Replacement kits are available from your RSF dealer.

To insure a proper seal, you need to adjust the tightness of the door against the front of the fireplace as follows:

1. Slightly loosen the four bolts that hold in place the two door hinges to the door, just enough so that the hinges can be moved when force is applied. You can remove the left side window frame to have an easier access to the door hinge bolts (refer to the Door and Windows Adjustment section).
2. Close the door and engage the handle while making sure the door is straight.
3. Push the door against the fireplace where the hinges are to seal the gasket.
4. Carefully open the door and tighten all four hinge bolts.
5. Verify the seal with the sheet of paper as described above.
6. Once adjusted for a proper seal, verify that the door can be easily removed and put back on the hinges. You may have to slightly twist one of the hinges to correct the alignment between the hinges and ease the installation/removal of the door. You can also lightly grease the hinges pins with the high temperature grease provided to make the hinges easier to move.

♦ **NOTE:** An improperly adjusted door seal can have a significant effect on the performance and durability of the fireplace. A poorly adjusted door can result in reduced efficiency, over firing, excessive wood consumption and fireplace failure.

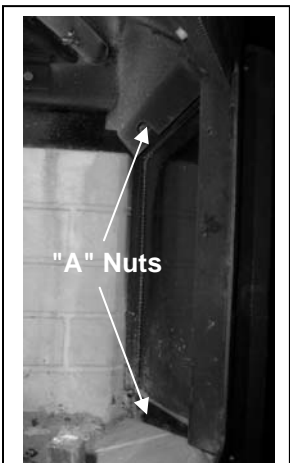
### **DOOR AND WINDOWS POSITION ADJUSTMENT**

The door and side window frames can be adjusted to fit nicely together.

To adjust the position of the door, loosen the four bolts that hold in place the hinges to the fireplace, just enough so that the hinges can be moved when force is applied. Move the door in the desired direction (left or right, up or down). Retighten all bolts.

Each window frame is held in place by two nuts ("A") (see Figure 3) each on a threaded rod, one at the top and one at the bottom. Both nuts can be accessed through the firebox. The depth of each window frame is determined by two bolts ("B") (see Figure 4), one at the top and one at the bottom on the inner side of the window frame (i.e. towards the door).

To adjust the position of a window frame, loosen both "A" nuts (you may need to loosen the "B" bolts also), move the window frame, retighten the nuts and bolts.



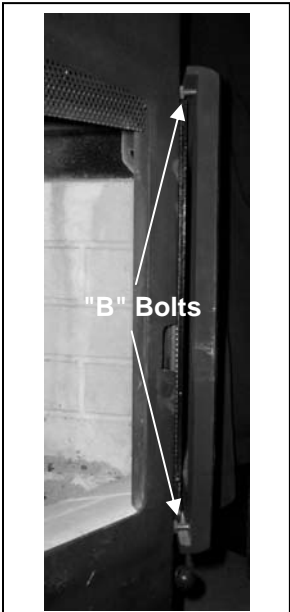
**Figure 3 Right Side Window "A" Nuts**



To bring the inner side of a window frame out, simply loosen both "A" nuts and then unscrew both "B" bolts to the level desired and finish by tightening back the "A" nuts. To bring the inner side of a window frame in, simply screw both "B" bolts and then tighten both "A" nuts.

**GOLD PLATING**

If you have gold doors, gold window frames or gold louvers, you will be happy to know that they will not tarnish. However, they are not scratch resistant. Use only mild soap and warm water to clean the gold when the surface is cool. The use of any household cleaner, such as Windex, abrasive cleaners, or any form of acid, may permanently etch or remove some of the gold plating. Before the first fire, make sure to clean all fingerprints and other deposits on the gold plating. Since the plating cures during the first fire, fingerprints and other deposits will permanently etch the gold plating.



**Figure 4 Right Side Window "B" Bolts**

**INSTALLATION**

Check with your local authority having jurisdiction (such as municipal building department, fire department, fire prevention bureau, etc.) regarding restrictions and installation requirements, and the need to obtain a permit.

Remove the fireplace door. Store it in a safe place until the installation and finishing work is finished. Side windows must be adequately protected. Be aware that heavy duty cleaning products or acid solutions will permanently damage the gold plating.

**MOVING THE DELTA**

Due to the weight of the DELTA2, we recommend you use a furniture dolly and place the DELTA2 as shown in Figure 5. The DELTA2 weighs 620 lbs. complete and 450 lbs. stripped of all firebricks and baffle. The DELTA2 should be stripped before moving it if possible. Elevate the fireplace and dolly to a 45° angle to move.

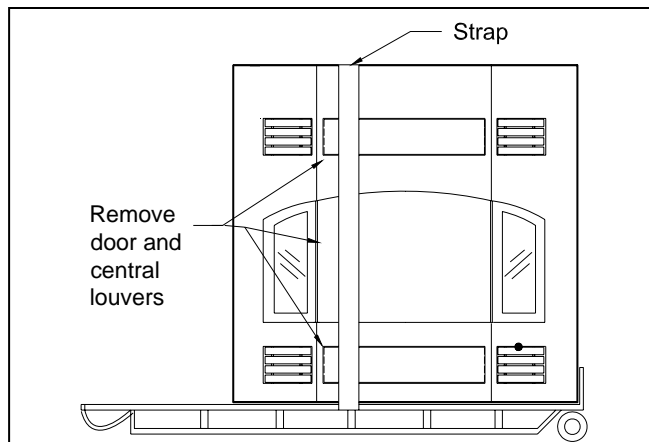
♦ **NOTE:** If using an Eskelera a 2 x 4 will have to be placed between the two forks before using.

**NAILING BRACKET INSTALLATION**

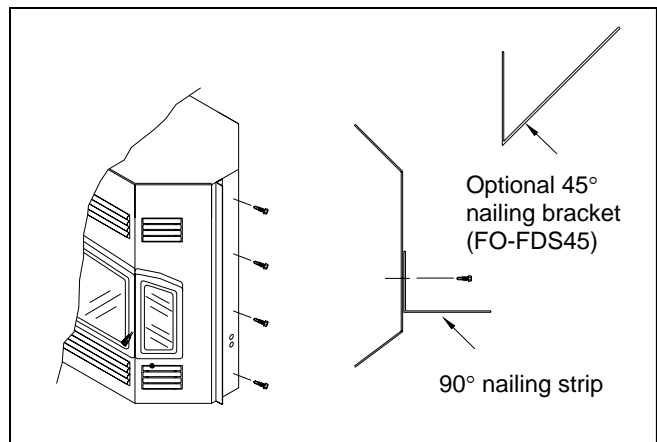
Before installing your DELTA2, the side nailing brackets need to be assembled as follows:

1. Take the nailing brackets provided with the unit.
2. Remove the four (4) metal screws on each side of the DELTA2 facing.
3. Attach the nailing bracket to the side of the DELTA2 using the metal screws that you removed in Step 2 (see Figure 6).

♦ **NOTE:** When using the optional 45° nailing bracket (FO-FDS45) make sure to line up the 45° nailing bracket with the fireplace to ensure facing will be flush.



**Figure 5 Moving the Delta**



**Figure 6 Nailing Bracket Installation**

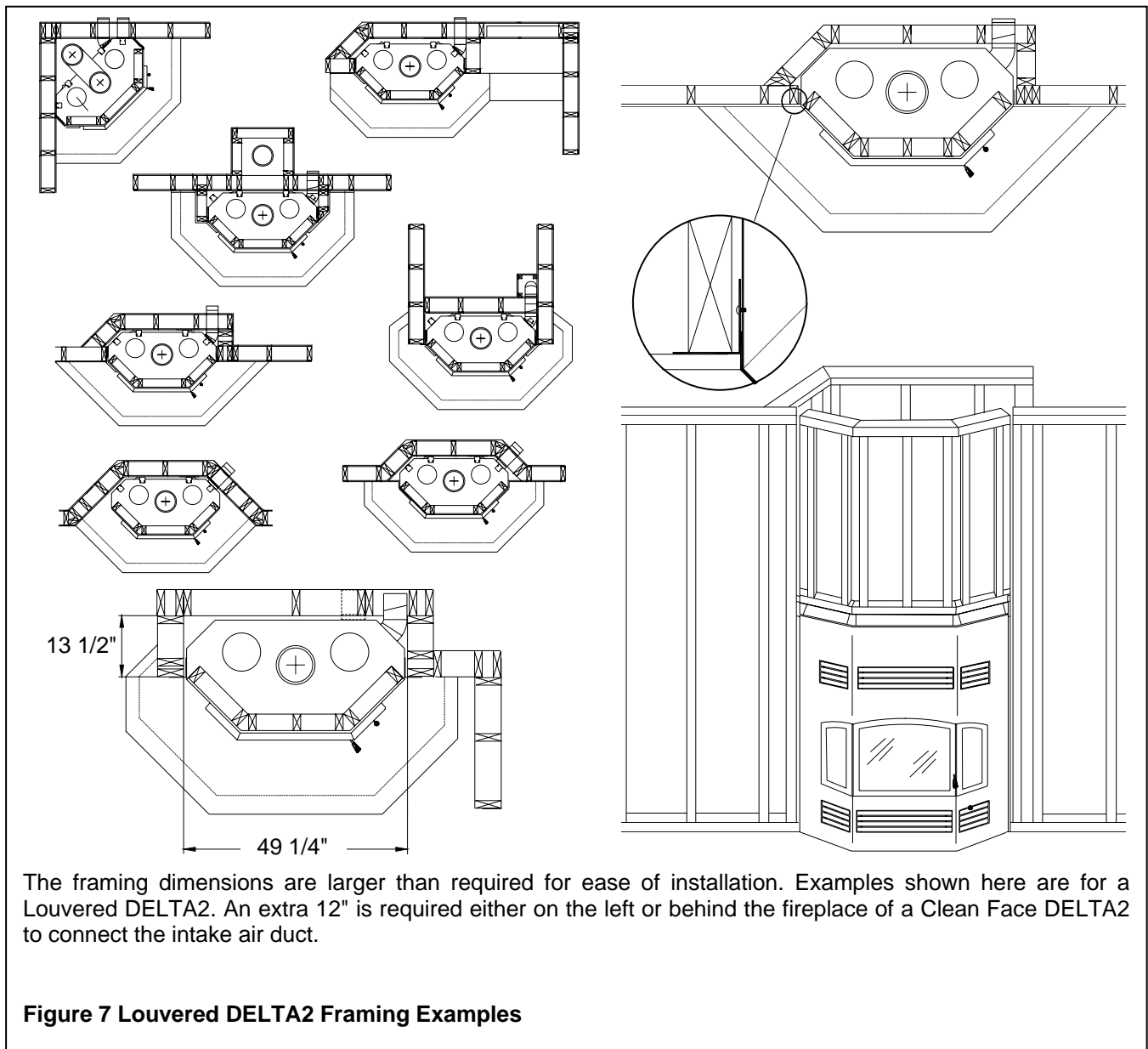
## LOCATION

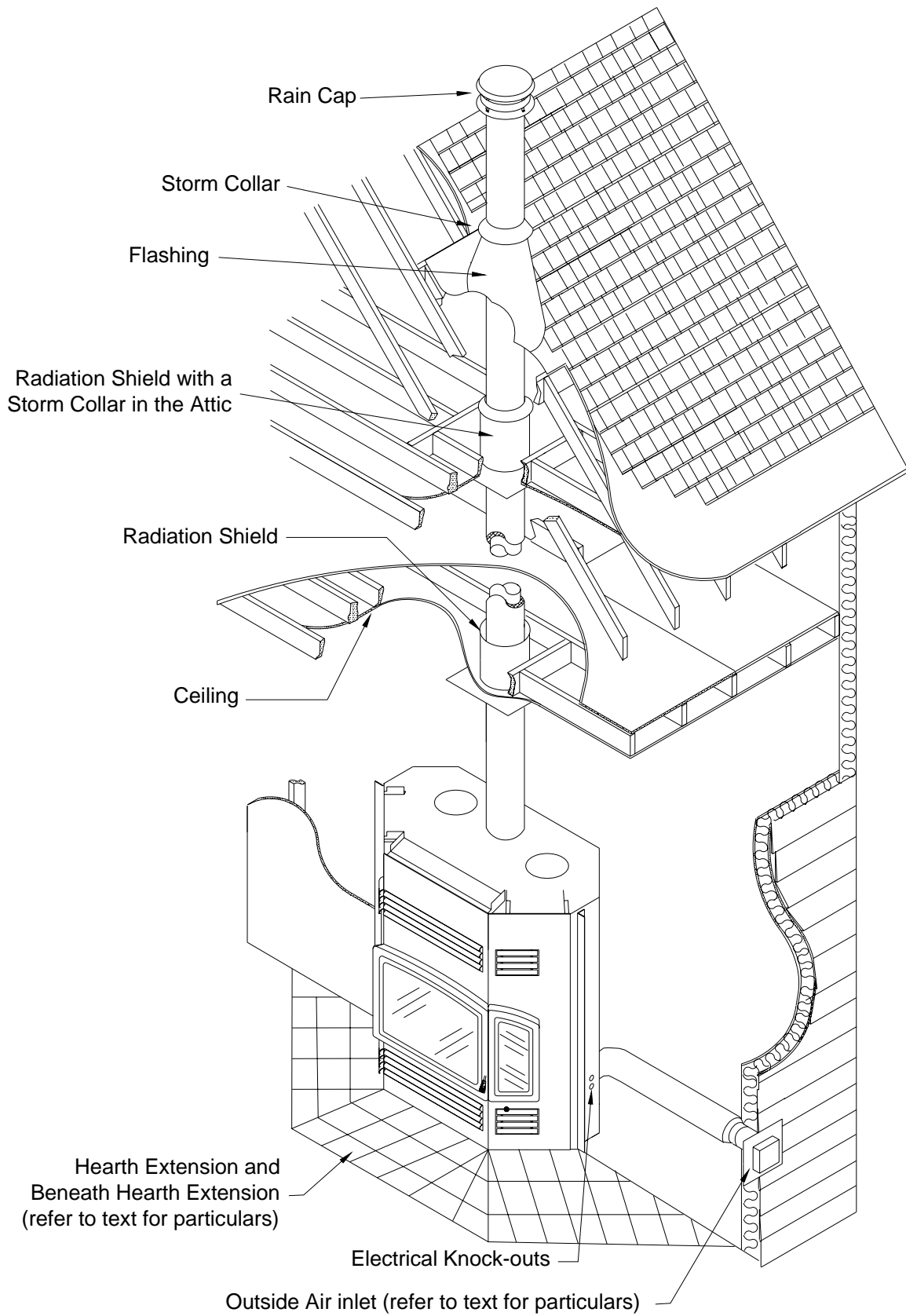
Your DELTA2 fireplace may be installed in many different ways (see Figure 7) without any special floor reinforcement. We recommend that you take the time to plan your entire installation (fireplace, chimney, and options) before beginning the actual installation (refer to Figure 8 and Figure 9).

Dimensions of the fireplace along with clearances are shown in Figure 1 and Table 1.

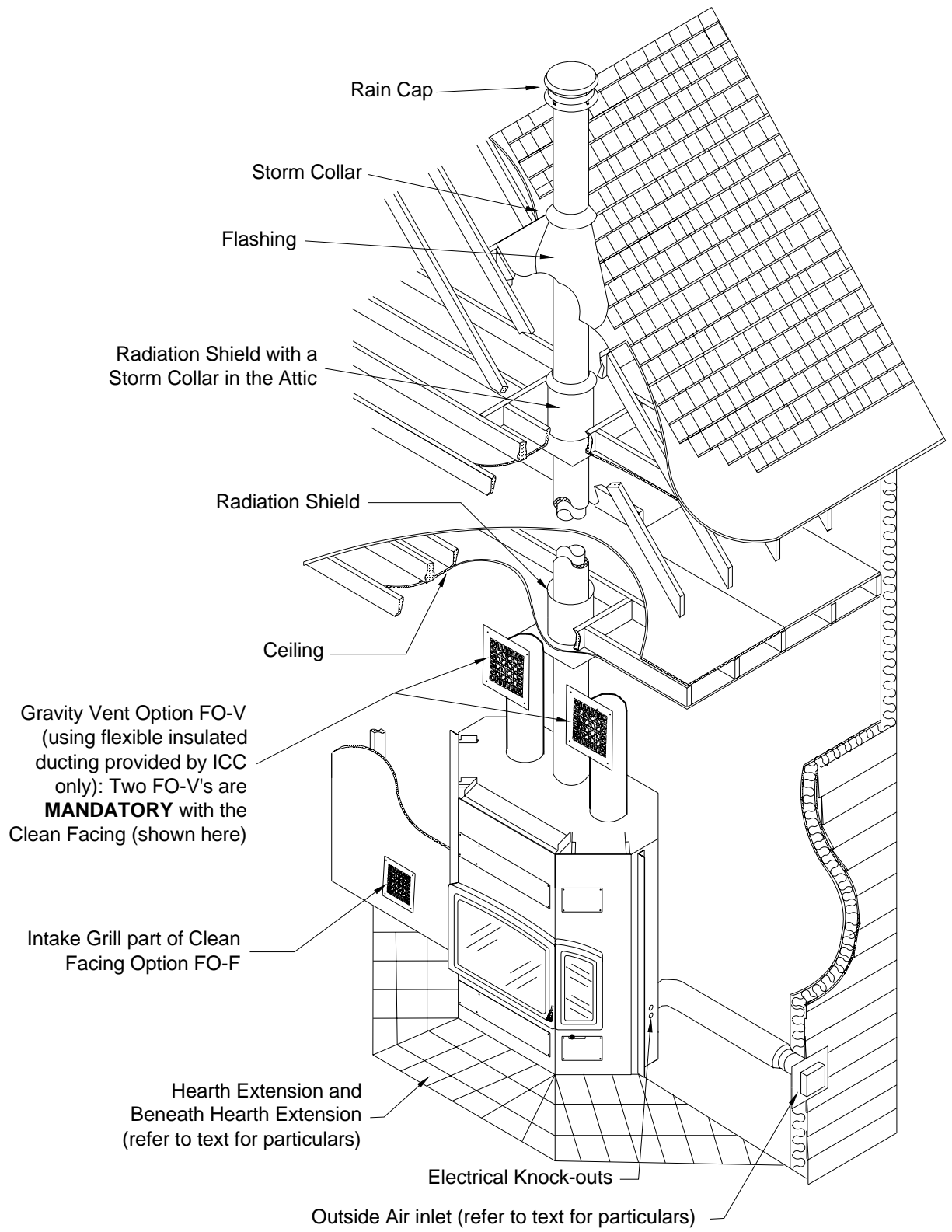
❖ **WARNING: IF THIS FIREPLACE IS NOT PROPERLY INSTALLED, A HOUSE FIRE CAN RESULT. FOR YOUR SAFETY, FOLLOW THE INSTALLATION INSTRUCTIONS AND CLEARANCES. DO NOT PACK REQUIRED AIR SPACES WITH INSULATION OR OTHER MATERIALS.**

1. Note the location of roof and floor joists. Try to choose a location that does not require cutting them.
2. If at all possible, run the chimney up through the inside of the house. If it must be run outside, it should be enclosed in an insulated enclosure (see Installation: Chase Enclosure). Remember, a cold chimney causes poor draft.





**Figure 8 Louvered DELTA2 General Installation**



**Figure 9 Clean Face DELTA2 General Installation**

## CEILING CLEARANCE

Ceiling clearance is the distance from the base of the fireplace to the ceiling.

Under no circumstances should the distance between the ceiling firestop and the base fireplace be less than the dimension specified in Table 1 (C).

## OUTSIDE AIR DUCT

After the fireplace is correctly positioned, connect the outside air inlet to the outside (see Figure 10).

Use an insulated aluminium flexible duct rated at over 200° F. The duct should not exceed 12' vertical rise above the base of the unit.

**The air inlet should never be less than 5' below the top of the chimney flue and must never terminate in attic spaces.**

A 4" diameter duct can be used if the total duct run is less than 25'. For longer runs, use 5" diameter duct. Both 4" and 5" connecting sleeves are provided with the fireplace.

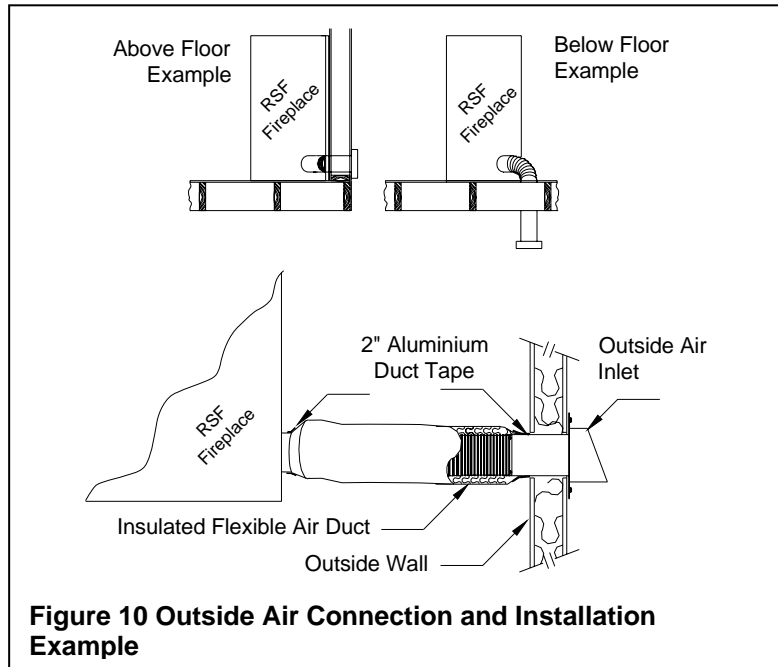
1. Find a convenient location for the combustion air duct and outside air inlet. The outside air inlet can be above or below floor level.
2. Make a 4 ¼" (5 ¼" if using a 5" diameter duct) hole in the outside wall of the house. Push the outside air inlet in from the outside. Seal the joint between the air inlet and the outside wall with an appropriate sealant.
3. Place the insulated flexible duct over the round sleeve on the outside air inlet. At both ends, carefully pull back the insulation and plastic cover, exposing the flexible duct. Then at each end, attach the duct with metal screws to the inlet and tube. Carefully push the insulation and cover back over the duct. Tape the plastic cover in place with 2" aluminium duct tape.

❖ **CAUTION: WHEN RUNNING THE DUCT AROUND CORNERS, BE SURE TO PREVENT CRIMPING THE DUCT THAT WOULD RESTRICT THE COMBUSTION AIRFLOW.**

## CHIMNEY

This fireplace is certified for use with 8" ICC Model EXCEL chimney only. Please refer to Table 1 (D-E) for the minimum and maximum chimney height permitted with the DELTA2 fireplace.

We recommend that the minimum height be increased by approximately 1' for every 2000' elevation above sea level. Every 30° or 45° elbow also increases the minimum height by 1'. For example, if you are living 6000' above sea level, your chimney should terminate at least 15' from the top of the fireplace (12' + 3' for the 6000'). See Table 2 for more precise recommended flue heights.



**Figure 10 Outside Air Connection and Installation Example**

**Table 2 Minimum Recommended Flue Heights In Feet From The Top Of The Fireplace**

Elevation (ft)	Number Of Elbows						
	0	2 x 15°	4 x 15°	2 x 30°	4 x 30°	2 x 45°	4 x 45°
0 - 1000	12'	13'	14'	15'	18'	16'	20'
1000 - 2000	12'6"	13'6"	14'6"	15'6"	19'	16'6"	20'
2000 - 3000	13'	14'	15'	16'	19'6"	17'	21'6"
3000 - 4000	13'6"	14'6"	15'6"	17'	20'	18'	22'6"
4000 - 5000	14'	15'	16'	17'6"	21'	18'6"	23'
5000 - 6000	14'6"	15'6"	17'	18'	21'6"	19'	24'
6000 - 7000	15'	16'	17'6"	18'6"	22'	20'	24'6"
7000 - 8000	15'6"	16'6"	18'	19'	23'	20'6"	25'6"
8000 - 9000	16'	17'	18'6"	20'	24'	21'	26'6"
9000 - 10000	16'6"	17'6"	19'	20'6"	24'6"	22'	27'

**CHIMNEY INSTALLATION**

Make sure to read the EXCEL Chimney installation manual concerning requirements for supports, bracing, anchors, etc. The EXCEL installation manual is available from your dealer or from our web site: "www.icc-rsf.com". Refer to Table 1 (F) for the maximum chimney height that can be supported by the top of the fireplace.

❖ **WARNING: THE CLEARANCE BETWEEN THE CHIMNEY AND COMBUSTIBLE MATERIAL MUST BE 2" OR MORE. DO NOT FILL THIS AREA WITH INSULATION.**

1. Cut and frame the required holes in the floor(s), ceiling(s) and roof where the chimney will pass through. The rough opening in the framing is 14" square (the opening can be slightly bigger, up to 14 1/2", but NEVER smaller).
2. From below, install a radiation shield in each floor through which the chimney passes. At the attic level, install a radiation shield and a storm collar as shown in Figure 11.

❖ **WARNING: A RADIATION SHIELD MUST BE INSTALLED AT EACH FLOOR WHERE THE CHIMNEY PASSES THROUGH.**

3. Place the first chimney length on the fireplace. Secure the chimney length to the fireplace with the three screws provided.

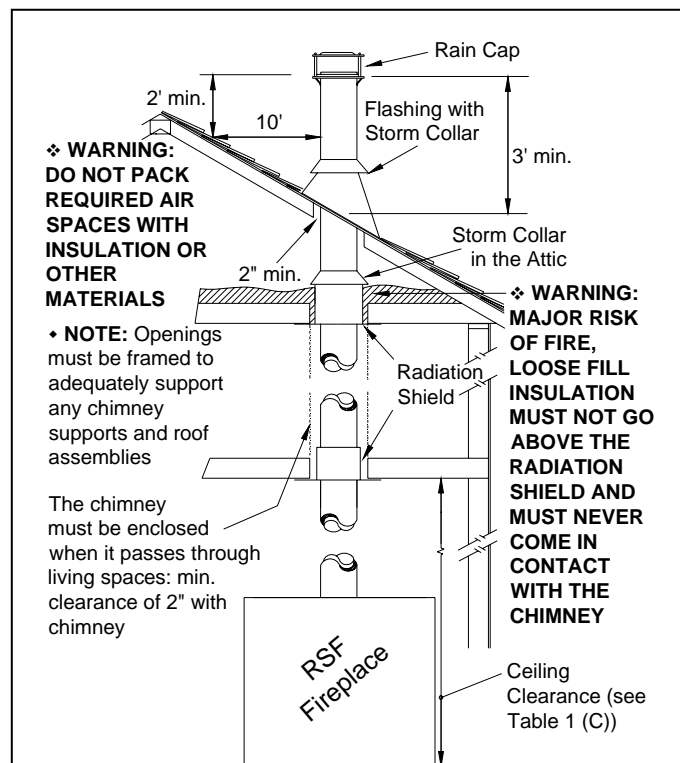
The chimney must extend at least 3' above its point of contact with the roof and at least 2' higher than any wall, roof, or building within 10' of it. If the chimney is higher than 5' above the roof, it must be secured using a roof brace.

4. Put the roof flashing into place. Seal the joint between the roof and the flashing with roofing tar. For sloping roofs, place the flashing under the upper shingles and on top of the lower shingles. Nail the flashing to the roof using roofing nails.

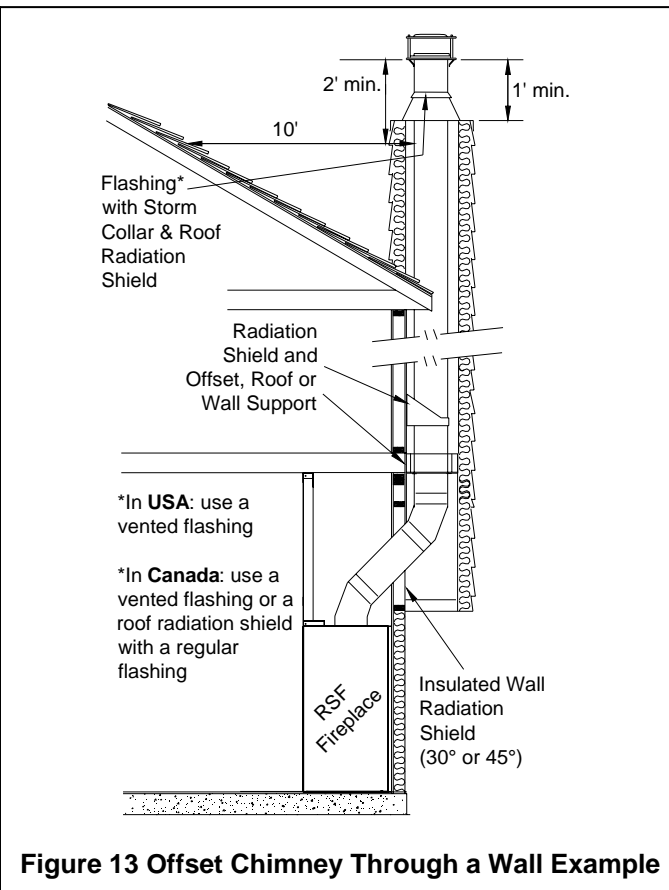
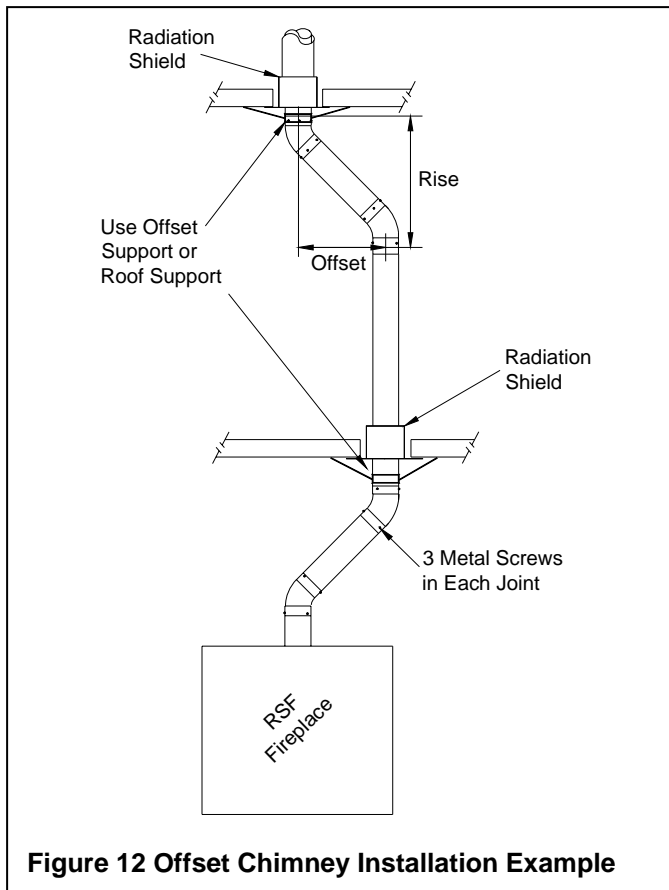
If the chimney is enclosed to the roof:

- In **USA**: use a vented flashing;
- In **Canada**: use a vented flashing, or a roof radiation shield with a regular flashing.

5. Place the storm collar over the chimney and flashing. Seal it around the chimney with silicone sealer (**DO NOT use roofing tar**).
6. Fit the rain cap on the chimney. Secure it tightly in place.



**Figure 11 General Chimney Installation**



## **OFFSET CHIMNEY**

An elbow may be installed directly on top of the fireplace if required. See the detailed offset charts in the EXCEL chimney installation manual. Use the offset option if you need to clear a joist or pass around a cupboard. See Figure 12 and Figure 13 for examples.

- Maximum offset angle:
  - In **USA**: 30°;
  - In **Canada**: 45°.
- Maximum number of elbows: four, resulting in two offsets and returns.

Install the fireplace and chimney as described earlier. When you require an elbow, proceed as follows:

1. Install the required elbow. Turn it in the desired direction, and fasten it to the other section with 3 metal screws at the joints.
2. Install enough lengths to obtain the desired offset. Secure each joint with 3 metal screws.
3. Use another elbow to return the chimney to the vertical direction.
4. Install a roof support, a wall support, or an offset support above each offset to support the weight of the chimney (elbows are not designed to support the chimney above an offset). The support can be installed anywhere practical along the vertical course of the chimney as long as it is above the offset.

## **CHASE ENCLOSURE**

If the chimney runs up the outside of the house, we recommend that it be enclosed in a chase structure. The chase should be constructed in such a way that it is an extension of the home. It should be well insulated between the footings and the floor of the home to prevent heat loss. If the climate in your area is mild, insulate the chase at least to the first firestop. If the climate in your area is very cold, insulate the chase to the top to keep the chimney warmer, increase the draft, and reduce creosote buildup. We also recommend to insulate the ceiling of the chase just as if it were in the attic space. This will prevent cold air from dropping down through the chase and into the

room where the fireplace is installed (see Figure 14).

Some local codes require that the walls be insulated, vapor sealed and sheathed with a fire rated gypsum board (see Figure 14). We strongly recommend this procedure for all installations to prevent cold drafts from originating in the fireplace enclosure. If you follow this procedure, we recommend that you do not insulate the wall above the front of the fireplace.

◆ **REMEMBER:** Check local codes concerning installation requirements and restrictions in your area.

### **MASONRY CHIMNEY**

Installing your DELTA2 fireplace with a masonry chimney still requires using EXCEL chimney from the top of the fireplace to the wall where it will connect to a listed liner that will run up inside the masonry chimney (see Figure 15).

The stainless steel liner should be fitted inside the clay liner all the way to the top of the masonry chimney. It is not meant to replace the clay liner. You can use either the EXCEL liner or any other listed liner to ULC-S635, ULC-S640 or UL-1777.

Special care is to be taken to make sure that you have a good solid connection between the EXCEL chimney and the liner. A masonry adaptor (FO-FDM8) was designed specifically for that purpose and is available from your RSF dealer. It will attach to the liner with 3 stainless steel rivets (provided) and to the EXCEL chimney with 3 screws (provided).

After mortaring in place, the connection between the EXCEL chimney and the liner should not be visible in order to isolate the heat released through the liner from the fireplace enclosure.

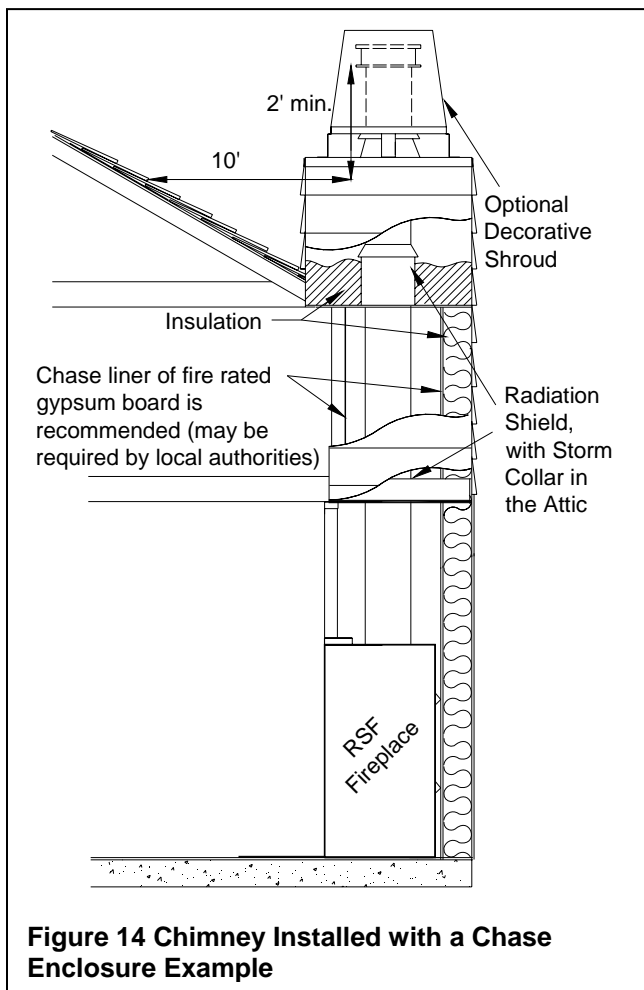
As depicted in Figure 15, you must install at least one 18" length of EXCEL chimney after the EXCEL chimney elbow. The uppermost part of the EXCEL chimney - where it enters the masonry chimney - must be a minimum of 12" from the ceiling.

◆ **NOTE:** If the ceiling is high enough, you can install one or more EXCEL chimney lengths directly on the fireplace before the elbow.

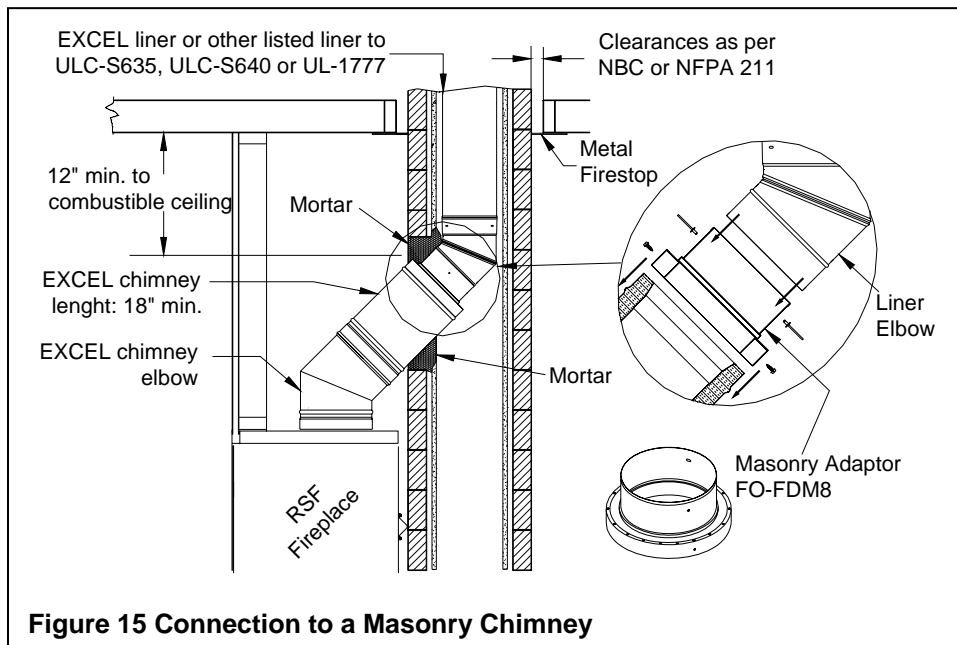
If you use a flexible liner, make sure to be careful when cleaning to ensure that the stainless steel flexible liner is not dislodged in any way.

### **Using an Existing Masonry Chimney**

❖ **WARNING: IF YOU ARE CONSIDERING USING AN EXISTING CHIMNEY, IT MUST FIRST BE THOROUGHLY INSPECTED BY AN AUTHORITY HAVING JURISDICTION TO DETERMINE THE FOLLOWING:**



**Figure 14 Chimney Installed with a Chase Enclosure Example**



**Figure 15 Connection to a Masonry Chimney**



1. The masonry chimney is well constructed and fully lined, in accordance with Local Building Codes and the National Building Code of Canada (NBC) or National Fire Protection Association chimney standard (NFPA 211).
2. It has been thoroughly cleaned of any soot or creosote residue and inspected to determine that it is in good working condition.
3. There is no insulation of any type in contact with the masonry chimney and there is no insulation stuffed anywhere in the chimney.
4. All the necessary clearances around the masonry chimney, along the complete run of the chimney, are respected as per NBC or NFPA 211. If the masonry chimney is enclosed in drywall, openings will probably be required in order to verify clearances at all points.
5. The masonry chimney will only be used for the fireplace and no other appliance.

If major repairs are required to meet the above conditions, a new chimney should be constructed.

To make the hole through the masonry chimney and make the connection to the fireplace, we recommend that you follow these steps:

1. Sight-in and mark the outline of where the EXCEL chimney will penetrate the masonry chimney.
2. Using a large ( $\frac{3}{4}$ " - 2") masonry drill bit, drill a hole exactly in the center of the oval outline. With a masonry hammer and drill, slowly enlarge the hole to the size required. Remember to work from the center out. Be especially careful with the clay liner behind the brick because three sides of it must stay in place.

3. Bring the stainless steel liner down from the top of the chimney.

If you are using a rigid liner you will need enough room to secure an elbow to it with at least two screws.

If it is difficult to install rigid stainless steel liner in the existing masonry chimney or for a masonry chimney with less than 10"x10" inside, a listed stainless steel flexible liner can be used along with a flexible/rigid adaptor (LM-8LAF) available from your RSF dealer.

4. Install the liner elbow and masonry adaptor on the lower end of the liner.
5. Move the fireplace forward enough to install the EXCEL chimney on the fireplace (elbow and length) then move the fireplace back into position as you connect the masonry adaptor to the EXCEL chimney.

### **Using a New Masonry chimney**

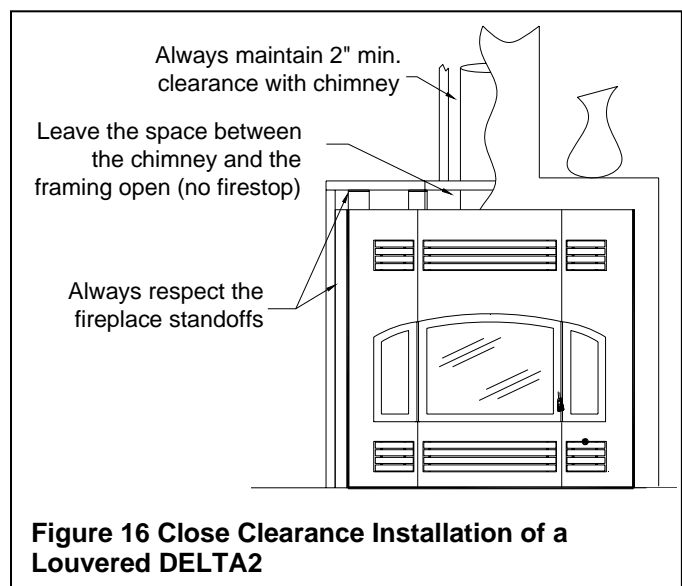
Since the masonry chimney is not build yet, we recommend that you position your fireplace, install the EXCEL chimney on it and connect to the first length of liner before building the chimney as explained above and shown in Figure 15 . The liner sections can easily be installed as the layers of brick are being placed. Since this is a new chimney, we recommend that you build it to the right size so you do not have to ovalize the liner but if you choose to use a 6"x10" clay liner you will need to ovalize the stainless steel liner to fit into the clay liner.

♦ **REMEMBER:** The stainless steel liner should be fitted inside the clay liner all the way to the top of the masonry chimney. It is not meant to replace the clay liner.

### **FRAMING**

The enclosure walls can be framed with any suitable materials (2x4 or 2x6 studs, plywood, gypsum board, etc.). Because of the high heat output potential of the DELTA2, combustible materials must NOT go closer to the fireplace than the standoffs, top, back and sides.

You may also completely cover the top of a Louvered DELTA2 as long as you maintain all fireplace standoff clearances and the 2" clearances around the chased chimney. The 2" clearance around the chimney must be open from the fireplace up to the ceiling. See Figure 16 for an example of a close clearance installation.



**Figure 16 Close Clearance Installation of a Louvered DELTA2**

## **HEARTH EXTENSION**

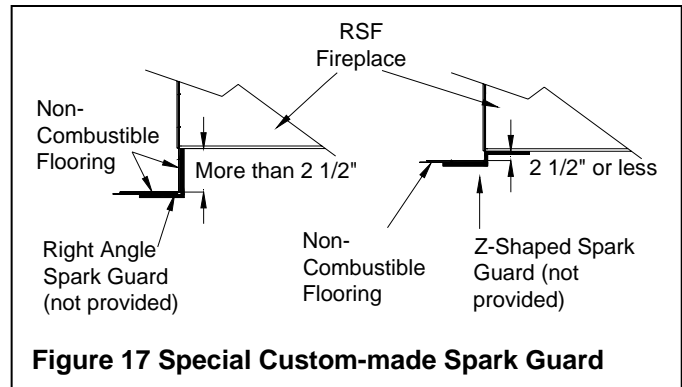
The area immediately in front of the fireplace must be protected by a non-combustible material such as brick, tile, stone, or slate. Refer to Table 1 (G-H) for the depth and width the hearth protection should extend beyond the front and both sides of the door opening (see Figure 1). There is no minimum thickness required for the hearth extension.

## **BENEATH HEARTH EXTENSION**

If the DELTA2 is installed on a non-combustible floor, the spark guard specified below is not required.

Install the spark guard provided (5" x 36" piece of sheet metal) halfway under the fireplace and halfway under the hearth extension and centered on the door opening. The spark guard will extend 2½" beneath the fireplace. This will make certain that sparks cannot lodge in this area and start a fire. If necessary, the provided spark guard can be cut to the minimum width specified in Table 1 (I).

If you are preparing a raised installation, you will need a custom made spark guard, either a "Z" shaped spark guard or a right angle spark guard (see Figure 17). The Z-shaped spark guard must be used if the height between the bottom of the fireplace and the top of the non-combustible flooring of the hearth extension is less than or equal to 2 ½". The height of the Z-shaped spark guard must equal the distance between the floor and the base of the unit and go under the hearth extension and the fireplace by at least 2½". If the unit is installed higher than 2 ½" from the top of the flooring, a right angle spark guard is necessary. The sides of the right angle spark guard should be at least 2½" x 2½" and must be covered with non-combustible material. Any custom-made spark guard must have the minimum width specified in Table 1 (I), and be installed centered on the door opening.



**Figure 17 Special Custom-made Spark Guard**

♦ **NOTE:** Custom-made spark guards are not supplied.

## **MANTEL**

Refer to Table 1 (J) for the maximum depth of the mantel and its installation height. Wood or other combustible mantels must be placed as specified in Table 1 (K) and illustrated in Figure 1.

Masonry and other non-combustible mantels can be placed directly above the top of the fireplace facing or higher. If the noncombustible mantel is located between the top of the fireplace facing and the specified height for a combustible mantel, then the wall portion between the top of the fireplace facing and the mantel must be covered in non-combustible material. If the non-combustible mantel is located at the same height allowed for a combustible mantel, or higher, then no special wall covering is required below the mantel.

## **MANDATORY OPTIONS WITH THE CLEAN FACE**

When installing a Clean Face (FO-F) on your DELTA2, you **MUST** install the intake duct (part of FO-F) to provide sufficient air to the unit along with two Gravity Vent Kits (FO-V, sold separately) to provide an evacuation path for the heat. Neglecting to install either one of these will result in overheating of the unit and may put your safety at risk. Refer to each option's installation instructions for particular details.

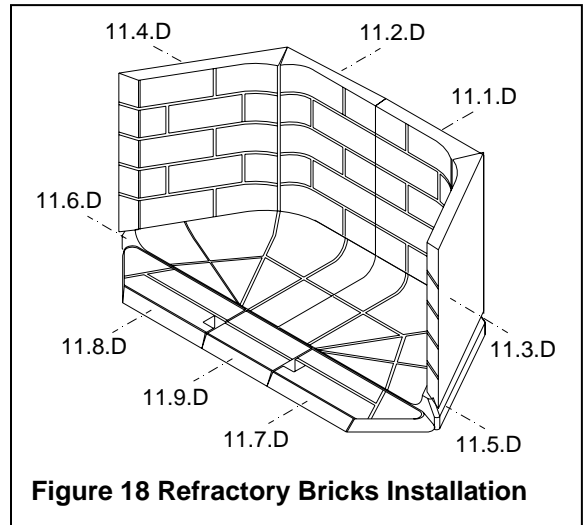
Use only genuine RSF parts. The use of any substitutes will decertify the system and may put your safety at risk.

## **REFRACTORY BRICK INSTALLATION**


The refractory bricks for the DELTA2 fireplace are placed in the fireplace at the factory. If, for any reason, they should need to be replaced the following order should be observed (see Figure 18). To remove any of the refractory bricks, just follow the installation procedure in the reverse sequence. Refer to Figure 18 to adequately identify which refractory brick is the right and which is the left at each step of the installation.

1. First, install both bottom refractory bricks (right 11.5.D and left 11.6.D) as shown in Figure 18.
2. Then install both back refractory bricks (right 11.1.D and left 11.2.D).

3. Continue by installing both side refractory bricks (right 11.3.D and left 11.4.D). If the refractory bricks on the back and sides do not fit immediately into position as in the diagram they should not be forced. The refractory bricks can only be fitted into place as they were designed to do.
4. The last three refractories should be placed in front from left to right looking at the fireplace (left 11.8.D, middle 11.9.D and right 11.7.D).



# LISTING LABEL



LISTED FACTORY BUILT FIREPLACE  
MODEL: DELTA  
TESTED TO: UL-127 / ULC-S610 / ULC-S627

SERIAL NO. / NO DE SÉRIE

INSTALL AND USE ONLY IN ACCORDANCE WITH THE MANUFACTURER'S INTALLATION AND OPERATING INSTRUCTIONS. **DO NOT OBSTRUCT** COMBUSTION AIR INLET. DO NOT USE A FIREPLACE INSERT OR OTHER PRODUCTS NOT SPECIFIED FOR USE IN THIS PRODUCT. OPERATE WITH DOORS FULLY OPEN OR FULLY CLOSED.


MINIMUM CLEARANCES TO COMBUSTIBLE MATERIALS	
SIDEWALL, SIDE FACING	11 IN. / 280 MM FROM DOOR OPENING
HEIGHT OF MANTLE	23 IN. / 584 MM FROM DOOR OPENING
UNIT TOP, BACK, SIDES AND BOTTOM	0 IN. / 0 MM TO SPACERS

COMBUSTIBLE MATERIALS ARE NOT PERMITTED ON FACE OF UNIT. COMBUSTIBLE FLOOR MUST BE PROTECTED AS SPECIFIED IN THE INSTALLATION INSTRUCTION MANUAL.

COMPONENTS REQUIRED FOR INSTALLATION:  
CHOICE OF DOOR.  
USE 4 IN. OR 5 IN. (102 OR 130MM) DIAMETER FLEXIBLE DUCT AND COMBUSTION AIR INLET ASSEMBLY. USE THE **ICC MODEL 8 IN. (203 MM) EXCEL** CHIMNEY AND LISTED COMPONENTS AS PER INSTALLATION INSTRUCTIONS.  
TWO GRAVITY VENT SYSTEMS ARE MANDATORY WITH THE OPTIONAL CLEAN FACING.  
ONE AIR AMBIENT INLET IS MANDATORY WITH THE OPTIONAL CLEAN FACING.

REFER TO MANUFACTURER'S INSTALLATION AND OPERATING INSTRUCTIONS FOR OPTIONAL COMPONENTS:  
FANS, FIRESCREEN, GRAVITY VENT SYSTEM (WITH AUTHORISED LOUVERS), CENTRAL HEATING ACCESSORIES.

REPLACE GLASS ONLY WITH 5MM CERAMIC GLASS. OPERATE ONLY WITH FIREBRICK IN PLACE. FOR USE WITH SOLID WOOD FUEL ONLY. DO NOT OVERFIRE UNIT. WARNING: THIS FIREPLACE HAS NOT BEEN TESTED WITH AN UNVENTED GAS LOG SET. TO REDUCE RISK OF FIRE OR INJURY, DO NOT INSTALL AN UNVENTED GAS LOG SET INTO THE FIREPLACE.



DO NOT REMOVE THIS LABEL / NE PAS ENLEVER CETTE ÉTIQUETTE

FOYER PRÉFABRIQUÉ HOMOLOGUÉ  
MODÈLE: DELTA  
MIS À L'ESSAI SELON LES NORMES  
UL-127 / ULC-S610 / ULC-S627

SERIAL NO. / NO DE SÉRIE

INSTALLER ET UTILISER SELON LES INSTRUCTIONS D'INSTALLATION ET DE FONCTIONNEMENT DU MANUFACTURIER. **NE PAS OBSTRUER** L'ENTRÉE D'AIR COMBURANT. N'UTILISEZ PAS D'ENCASTRABLE OU AUTRES PRODUITS NON SPÉCIFIÉS POUR UTILISATION AVEC CE PRODUIT. FAIRE FONCTIONNER LE FOYER AVEC LA PORTE COMPLÈTEMENT OUVERTE OU FERMÉE.


DÉGAGEMENTS MINIMAUX AUX MATIÈRES COMBUSTIBLES	
MUR DE CÔTÉ, FAÇADE-CÔTÉ	11 PO. / 280 MM DE L'OUVERTURE DE LA PORTE
HAUTEUR DU MANTEAU	23 PO. / 584 MM DE L'OUVERTURE DE LA PORTE
DESSUS, ARRÈRE, CÔTÉS ET BASE DE L'APPAREIL	0 PO. / 0 MM DES CALES

LES MATÉRIAUX COMBUSTIBLES NE SONT PAS PERMIS SUR LA FAÇADE DE L'APPAREIL. UN PLANCHER COMBUSTIBLE DOIT ÊTRE PROTÉGÉ SUIVANT LES SPÉCIFICATIONS DU LIVRET D'INSTRUCTIONS.

PIÈCES REQUISES POUR L'INSTALLATION:  
PORTE AU CHOIX.  
TUYAU FLEXIBLE DE 4" OU 5" (102 OU 130MM) DIA. ET PRISE D'ENTRÉE D'AIR.  
UTILISER UNE **CHEMINÉE EXCEL 8"** (203 MM) DE DIAMÈTRE DE ICC SELON LES INSTRUCTIONS D'INSTALLATION.  
DEUX SYSTÈMES D'ÉVENTS DE GRAVITÉ SONT OBLIGATOIRES AVEC L'OPTION DE FAÇADE NEUTRE.  
UN SYSTÈME D'ENTRÉE D'AIR AMBIANT EST OBLIGATOIRE AVEC L'OPTION DE LA FAÇADE NEUTRE.

VOIR LES INSTRUCTIONS D'INSTALLATIONS DU MANUFACTURIER POUR LES COMPOSANTES OPTIONNELLES: SOUFFLERIES, ÉCRAN PARE-ÉTINCELLES, SYSTÈME D'ÉVENT PAR GRAVITÉ (AVEC PERSIENNES AJOURÉES AUTORISÉES), ACCESSOIRES DE CHAUFFAGE CENTRAL.

LE REMPLACEMENT D'UNE VITRE DOIT SE FAIRE AVEC UNE VITRE CÉRAMIQUE DE 5MM D'ÉPAISSEUR SEULEMENT. OPÉRER SEULEMENT AVEC LES PIERRES RÉFRACTAIRES EN PLACE. POUR UTILISATION AVEC DU BOIS SEULEMENT. NE PAS SURCHAUFFER L'APPAREIL. AVERTISSEMENT: CE FOYER N'A PAS ÉTÉ TESTÉ AVEC UNE BÛCHE À GAZ SANS ÉVÈNT. POUR RÉDUIRE LES RISQUES DE FEU ET DE BLESSURES, NE PAS INSTALLER DE BÛCHE À GAZ SANS ÉVÈNT DANS CE FOYER.



WOODBURNING FIREPLACES  
MADE IN CANADA

DATE MANUFACTURED / DATE DE FABRICATION

MANUFACTURED BY / FAIT PAR **ICC**, 400 J-F KENNEDY, ST-JÉRÔME  
QUÉBEC, CANADA, J7Y 4B7

**19990002**

FOYERS AU BOIS  
FABRIQUÉ AU CANADA

## COMPLETE OPTIONS LIST

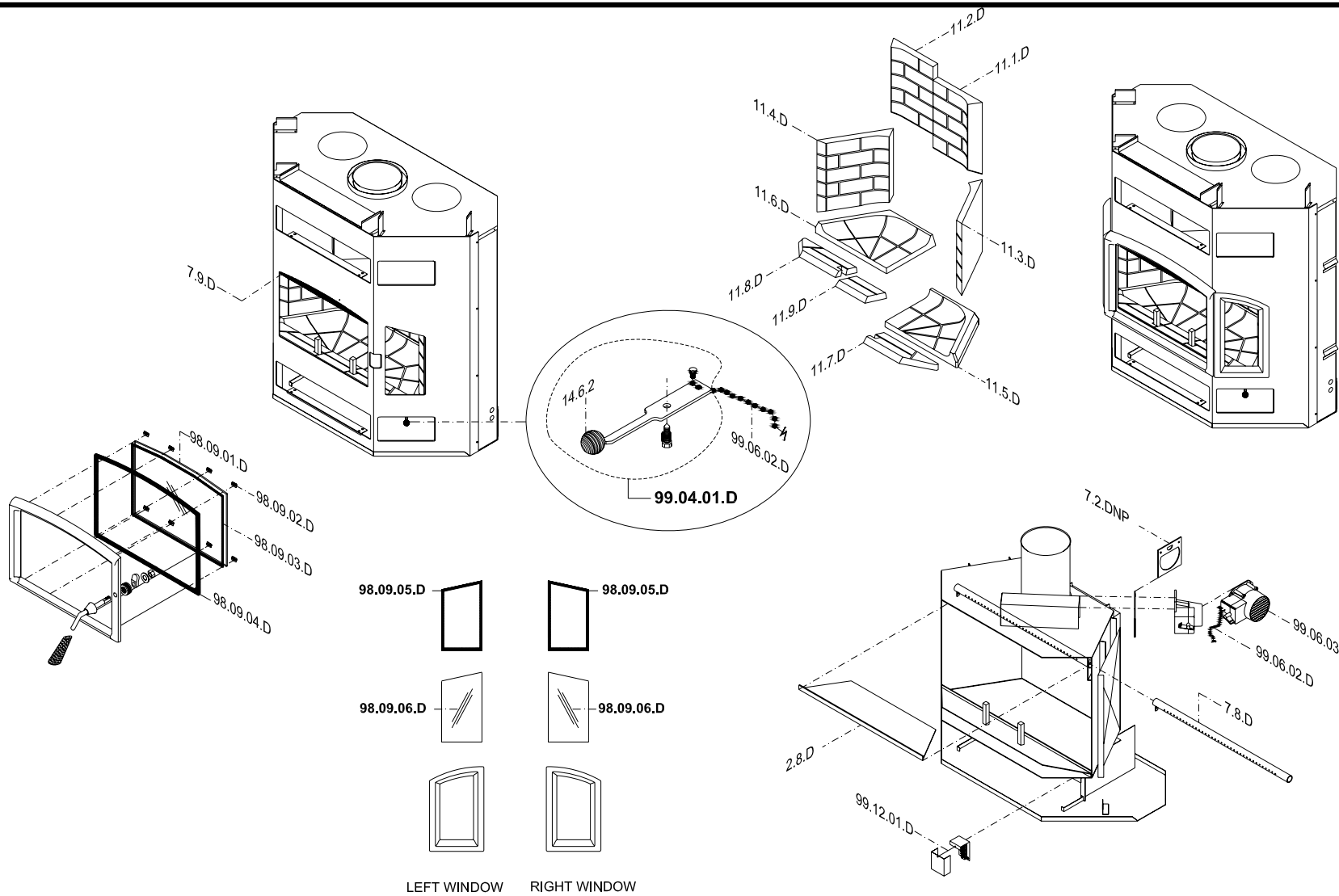
		Electricity required
FO-CIF	Inline Fan	✓
FO-D	Gravity Vent Damper	
FO-DLB2	Delta Louver Kit - Black	
FO-DLG2	Delta Louver Kit - Gold	
FO-DLP2	Delta Louver Kit - Pewter	
FO-DUCT5	Insulated Duct 5 feet	
FO-F	Clean Face – Delta2 & Opel2	
FO-FDFSD	Delta Firescreen	
FO-FDHB5-N	Blower - Internal	
FO-FDHB6-1	Blower - Central Heat	✓
FO-FDHC4	Thermostat Kit	✓
FO-FDHC6	Central Heat Control	✓
FO-FDHC6-1	Back Draft Damper	✓
FO-FDHCZ1	Zone Heat Control	
FO-FDHCZ2	Zone Damper Kit	✓
FO-FDKD	Rock Retainer Kit	✓
FO-FDKD-1	Rock Retainer Kit (full)	
FO-FDM8	Masonry Chimney Adapter 8"	
FO-FDS45	45° Nailing Bracket (Delta & Delta2)	
FO-FDGRK7	Gasket Replacement Kit (Delta & Delta2)	
FO-KD2	Rock Retainer Kit for Clean Face Delta2	
FO-T	Central Heat Tee Option	
FO-V	Gravity Vent Kit	

## CONFIGURED OPTIONS LIST

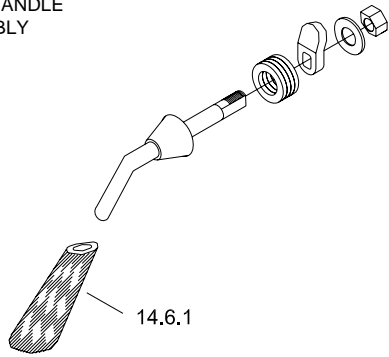
Clean Face DELTA2	Required	Optional	Not available
Clean Face Option	FO-F		
Gravity Vent Kit	FO-V (2)		
Delta - Rock Retainer Kit for Clean Face		FO-KD2	
Inline Fan		FO-CIF	
Central Heat Tee Option		FO-T	
Firescreen		FO-FSD2	
Thermostat kit (must be installed before facing and must be accessible for servicing)		FO-FDHC4	
Blower - Central Heat		FO-FDHB6-1*	
Blower (internal fan)			FO-FDHB5-N
Gravity Vent Damper			FO-D

Louvered DELTA2	Required	Optional	Not available
Louvers – Black or	FO-DLB2		
Louvers – Gold or	FO-DLG2		
Louvers – Pewter	FO-DLP2		
Delta - Rock Retainer Kit for Louver option		FO-FDKD	
Delta - Rock Retainer Kit for Louver option		FO-FDKD-1	
Blower - Central Heat		FO-FDHB6-1*	
Thermostat kit		FO-FDHC4	
Blower (internal fan)		FO-FDHB5-N	
Firescreen		FO-FSD2	
Gravity Vent Kit		FO-V (1 or 2)	
Gravity Vent Damper		FO-D	
Delta - Rock Retainer Kit for Clean Face			FO-KD2
Inline Fan			FO-CIF

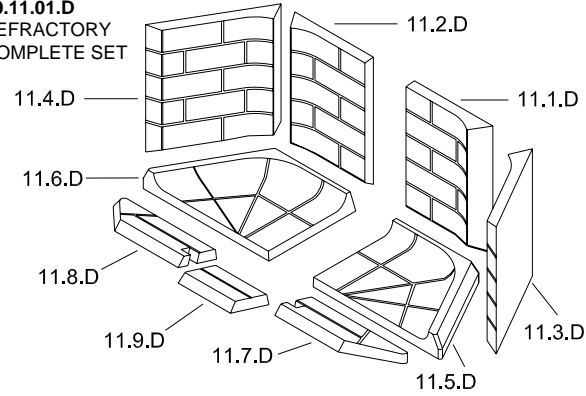
\* Possible add-ons: FO-FDHC6, FO-FDHCZ1, FO-FDHCZ2



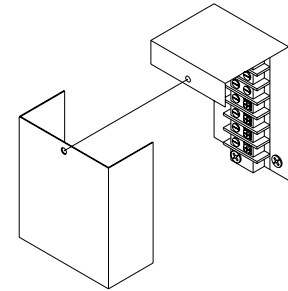
**99.09.05.D**  
DOOR HANDLE  
ASSEMBLY



**99.11.01.D**  
REFRACTORY  
COMPLETE SET



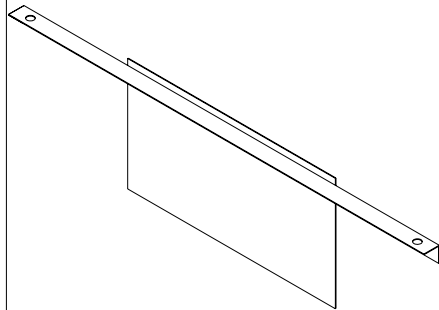
**99.12.01.D**  
TERMINAL BLOCK  
ASSEMBLY



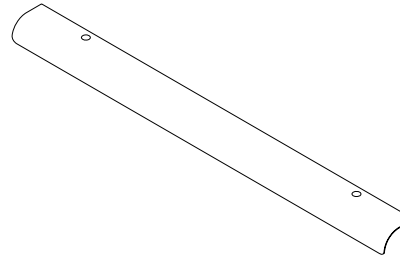
**99.10.04.D**  
LOUVER HARDWARE  
ASSEMBLY



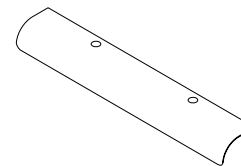
**99.10.05.D**  
LOUVER BLOCK PLATE ASSEMBLY  
(TOP CENTER LOUVER ONLY)



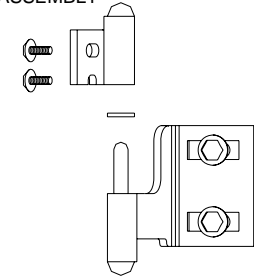
**10.1.D** BLACK  
**10.11.D** GOLD  
**10.21.D** PEWTER  
CENTRAL LOUVER FIN



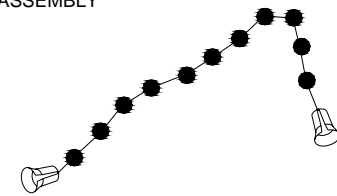
**10.2.D** BLACK  
**10.12.D** GOLD  
**10.22.D** PEWTER  
SIDE LOUVER FIN



**99.09.04.D**  
HINGE ASSEMBLY



**99.06.02.D**  
CHAIN & PENDANT  
ASSEMBLY







## LIMITED WARRANTY

### 30 Years Limited Warranty

**All RSF Woodburning Fireplaces models are warranted against defects in material and workmanship for a period of 30 years, subject to the following conditions:**

During the first year **RSF Woodburning Fireplaces** will repair or replace, at our option, any parts which upon examination by an authorized **RSF Woodburning Fireplaces** representative, are found to be defective, except the parts listed in the EXCLUSIONS portion of this warranty. **RSF Woodburning Fireplaces** will also pay reasonable labor costs for the repair work.

During the second through fifth years **RSF Woodburning Fireplaces** will repair or replace, at our option, any parts which upon examination by an authorized **RSF Woodburning Fireplaces** representative, are found to be defective, except the parts listed in the EXCLUSIONS portion of this warranty. **RSF Woodburning Fireplaces** shall not be responsible for any labor costs associated with this repair work.

During the sixth through thirtieth years **RSF Woodburning Fireplaces** will provide replacement parts, if available, at 50% of the published retail price, except for the parts listed in the EXCLUSIONS portion of this warranty. **RSF Woodburning Fireplaces** shall not be responsible for any labor costs associated with this repair work.

#### **EXCLUSIONS:**

- Electrical components are warranted for one year only.
- Glass and plating.
- Damage due to normal wear and tear, such as paint discoloration, worn gaskets, eroded or cracked refractory components.
- Repairs or replacements necessitated by vandalism, neglect, abuse, over-firing, improper fuel or fuel loads, or failure to adequately service the unit, as stated in the owner's manual.
- Repairs or replacements (particularly charges for travel and labor) not authorized by **RSF Woodburning Fireplaces** in advance.

#### **LIMITATIONS:**

- All items found to be defective will be replaced or repaired upon return of the defective part to an authorized **RSF Woodburning Fireplaces** dealer. **RSF Woodburning Fireplaces** will not be responsible for freight costs related to shipping replacement parts.
- Any complete fireplace, or part thereof, that is replaced or serviced under this warranty, will be warranted for a period not exceeding the remaining term of the original warranty.
- This warranty is not transferable.
- This warranty does not apply to damage to the appliance while in transit.
- This warranty does not apply if the installation does not conform to the installation requirements in the owner's manual.

**RSF Woodburning Fireplaces** is free of liability for any damages caused by the appliance, as well as material and labor charges incurred in the removal or re-installation of any **RSF Woodburning Fireplaces** fireplace under this warranty. Incidental or consequential damages are not covered by this warranty.

The remedies set forth herein are exclusive, and the liability of the seller shall not exceed the price of the fireplace or part thereof upon which the liability is based.

This warranty is expressly in lieu of all other warranties expressed or implied, including the warranties of merchantability and fitness for use and all other obligations or liabilities on the part of **RSF Woodburning Fireplaces**.