

Featuring the  Burner



- Direct Vent Freestanding Stove
- Natural Gas or Propane
- Vent Horizontally or Vertically
- Standard Residential
- Mobile Home Approved

Tested and Listed by



Omni-Test Laboratories, Inc.
Portland, Oregon
Report # 028-S-50d-5
ANSI Z21.88,

WARNING: If the information in these instructions is not followed exactly, a fire or explosion may result causing property damage, personal injury or loss of life.

- Do not store or use gasoline or other flammable vapors and liquids in the vicinity of this or any other appliance.

WHAT TO DO IF YOU SMELL GAS

- Do not try to light any appliance.
- Do not touch any electrical switch; do not use any phone in your building.
- Immediately call gas supplier from a neighbor's phone. Follow the gas supplier's instructions.
- If you cannot reach your gas supplier, call the fire department.
- Installation and service must be performed by a qualified installer, service agency or the gas supplier.

This appliance may be installed in an aftermarket permanently located, manufactured home (USA only) or mobile home, where not prohibited by local codes.

This appliance is only for use with the type(s) of gas indicated on the rating plate. A conversion kit is supplied with the appliance.

WARNING



HOT GLASS WILL
CAUSE BURNS.
DO NOT TOUCH GLASS
UNTIL COOLED.
NEVER ALLOW CHILDREN
TO TOUCH GLASS.

Northfield GREEN SMART™

Owner's Manual

Installer: After installation give this manual to the home-owner and explain operation of this heater.

© Copyright 2009, T.I. \$10.00 100-01239_000 4091120



**TRAVIS INDUSTRIES
HOUSE OF FIRE**

www.travisproducts.com
4800 Harbour Pointe Blvd. SW
Mukilteo, WA 98275

Introduction

We welcome you as a new owner of a Lopi Northfield stove. In purchasing a Northfield you have joined the growing ranks of concerned individuals whose selection of an energy system reflects both a concern for the environment and aesthetics. The Northfield is one of the finest home heaters the world over. This manual will explain the installation, operation, and maintenance of this stove. Please familiarize yourself with the Owner's Manual before operating your heater and save the manual for future reference. Included are helpful hints and suggestions that will make the operation and maintenance of your new stove an easier and more enjoyable experience. We offer our continual support and guidance to help you achieve the maximum benefit and enjoyment from your heater.

Important Information

No other Northfield Stove has the same serial number as yours. The serial number is on the listing plate chained to the gas control valve.

This serial number will be needed in case you require service of any type.

Model: Lopi Northfield GS

Serial Number: _____

Purchase Date: _____

Purchased From: _____

Mail your Warranty Card Today, and Save Your Bill of Sale.

To receive full warranty coverage, you will need to show evidence of the date you purchased your heater. Do not mail your Bill of Sale to us.

We suggest that you attach your Bill of Sale to this page so that you will have all the information you need in one place should the need for service or information occur.

Listing Details

This appliance was listed by OMNI Test Labs to ANSI Z21.88 - report # 028-S-50d-5. The listing label is attached to the appliance near the gas control valve. A copy is shown on page 43.

IAS (ICBO) Approval

This appliance was listed by OMNI Test Labs - IAS # TL130.

Massachusetts Approval

This manual has been submitted to the Massachusetts Board of State Examiners of Plumbers and Gas Fitters

National Fireplace Institute



Introduction

Introduction & Important Information 2

Safety Precautions

Safety Precautions 4

Features & Specifications

Features 6
 Installation Options 6
 Heating Specifications 6
 Dimensions 6

Installation

Installation Warning 7
 Switch Box Installation 7
 Packing List 8
 Additional Items Required for Installation 8
 Installation Overview 8
 Installation Hints 8
 Stove Clearances 9
 Mobile Home Requirements 9
 Top to Rear Vent Modification 10
 Heater Placement Requirements 12
 Floor Protection Requirements 12
 Electrical Requirements 12
 Optional Wall Switch or Thermostat Installation .. 13
 Gas Line Installation 14
 Vent Requirements 15
 Approved Vent Configurations 16
 Intake Restrictor 16
 Intake Damper Plates 16
 Exhaust Restrictor 17
 Exhaust Restrictor Extender Plate 17
 Diffuser 17
 Vent Termination Requirements 24
 Class A Chimney Conversion 25
 Interior Masonry Chimney Conversion 26

Finalizing the Installation

Leak Test 27
 Pilot Adjustment (if necessary) 27
 Air Shutter Adjustment (if necessary) 28
 Check Flame 28
 Face and Glass Removal 29
 Log Installation 31

Operation

Before You Begin 35
 Location of Controls 35
 Starting the Stove for the First Time 36
 Turning the Stove On and Off 36
 Comfort Control 36
 Adjusting the Flame Height 36
 Accent Light 37
 Adjusting the Optional Blower Speed 37
 Continuous Pilot / GreenSmart™ Pilot Switch 37
 Normal Operating Sounds 38
 Normal Operating Odors 38

Maintenance

Maintaining Your Stove's Appearance 39
 Battery Replacement 39
 Accent Light Replacement 40
 Yearly Service Procedure 40
 Troubleshooting Table 41
 Wiring Diagram 42
 Replacement Parts List 42

Safety Label

Safety Label 43

Warranty

Warranty 44

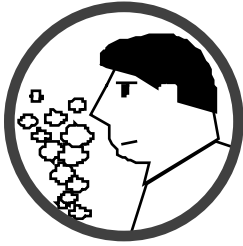
Optional Equipment

LP Conversion Kit 45
 GreenSmart™ Remote Control Installation 48

Index

Index 60

Safety Precautions

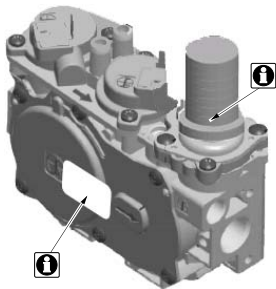


• IF YOU SMELL GAS:

- * Do not light any appliance
- * Extinguish any open flame
- * Do not touch any electrical switch or plug or unplug anything
- * Open windows and vacate building
- * Call gas supplier from neighbor's house, if not reached, call fire department



- This unit must be installed by a qualified installer to prevent the possibility of an explosion. Your dealer will know the requirements in your area and can inform you of those people considered qualified. The room heater should be inspected before use and at least annually by a qualified service person. More frequent cleaning may be required due to excessive lint from carpeting, bedding material, etc.
- The instructions in this manual must be strictly adhered to. Do not use makeshift methods or compromise in the installation. Improper installation will void the warranty and safety listing.



This heater is either approved for natural gas (NG) or for propane (LP). Burning the incorrect fuel will void the warranty and safety listing and may cause an extreme safety hazard. Direct questions about the type of fuel used to your dealer. Check for a label on the flame adjust knob on the gas control valve (this is the best place to check). You may also check for a label on the gas control valve body.



- Contact your local building officials to obtain a permit and information on any installation restrictions or inspection requirements in your area. Notify your insurance company of this heater as well.



- If the flame becomes sooty, dark orange in color, or extremely tall, do not operate the heater. Call your dealer and arrange for proper servicing.



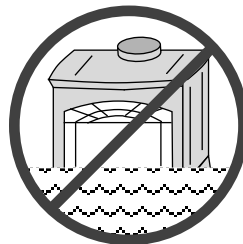
- It is imperative that control compartments, screens, or circulating air passageways of the heater be kept clean and free of obstructions. These areas provide the air necessary for safe operation.



- Do not operate the heater if it is not operating properly in any fashion or if you are uncertain. Call your dealer for a full explanation of your heater and what to expect.



- Do not store or use gasoline or other flammable liquids in the vicinity of this heater.



- Do not use this appliance if any part has been under water. Immediately call a qualified service technician to inspect the appliance and to replace any part of the control system and any gas control which has been under water.



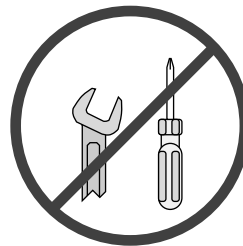
- Do not place clothing or other flammable items on or near the heater. Because this heater can be controlled by a thermostat there is a possibility of the heater turning on and igniting any items placed on or near it.



- Light the heater using the built-in igniter. Do not use matches or any other external device to light your heater.
- Allow the heater to cool before carrying out any maintenance or cleaning.



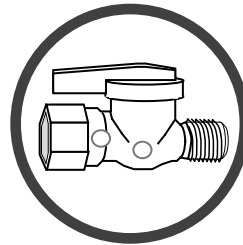
- The viewing glass should be opened only for lighting the pilot or conducting service.
- Any safety screen or guard removed for servicing must be replaced prior to operating the heater.
- Do not operate with the glass removed or damaged.



- Never remove, replace, modify or substitute any part of the heater unless instructions are given in this manual. All other work must be done by a trained technician. Don't modify or replace orifices.



- Operate the heater according to the instructions included in this manual.
- If the main burners do not start correctly turn the gas off at the gas control valve and call your dealer for service.



- Instruct everyone in the house how to shut gas off to the appliance and at the gas main shutoff valve. The gas main shutoff valve is usually next to the gas meter or propane tank and requires a wrench to shut off.



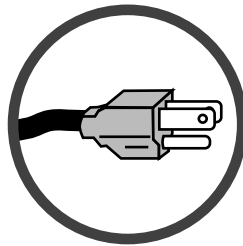
- This unit is not for use with solid fuel
- Do not place anything inside the firebox (except the included fiber logs).
- If the fiber logs become damaged, replace with Travis Industries log set.



- Do not throw this manual away. This manual has important operating and maintenance instructions that you will need at a later time. Always follow the instructions in this manual.



- Children and adults should be alerted to the hazards of high surface temperature and should stay away to avoid burns or clothing ignition. Young children should be supervised when they are in the same room as the heater.



- Plug the heater into a 120V grounded electrical outlet. Do not remove the grounding plug.
- Don't route the electrical cord in front of, over, or under the heater



- **Travis Industries, Inc. grants no warranty, implied or stated, for the installation or maintenance of your heater, and assumes no responsibility of any consequential damage(s).**

Features:

- Ember Fyre™ Burner for "Wood Fire" Look
- Works During Power Outages (battery backup system)
- High Efficiency
- Includes Decorative Fireback
- Optional Thermostat or Remote Control
- Optional Blower for Quicker Heat Distribution
- Convenient Operating Controls
- Variable-Rate Heat Output
- Accent Light

Installation Options:

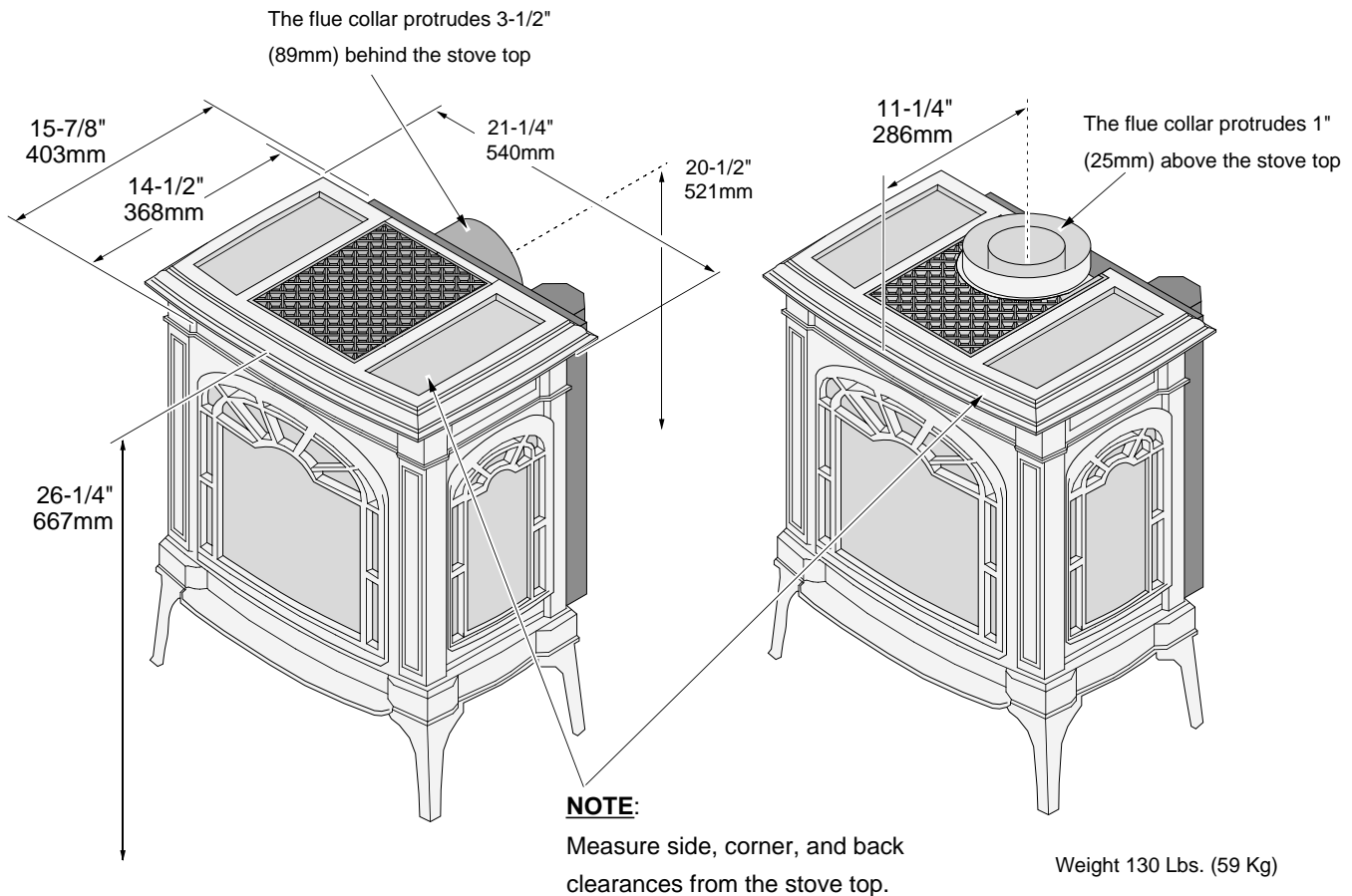
- Freestanding Stove
- Horizontal or Vertical Vent
- Residential or Mobile Home
- Straight or Corner Placement
- Bedroom Approved

Heating Specifications:

Approximate Heating Capacity (in square feet)* 500 - 850 with Blower, 500 to 650 Without

Maximum Input (in BTU's) 22,000

- Heating capacity will vary depending on the home's floor plan, degree of insulation, and the outside temperature.

Dimensions & Weight:**Electrical Specifications (including optional blower)**

Electrical Rating 120 Volts, 1.5 Amps, 60 Hz (180 watt)

Fuel:

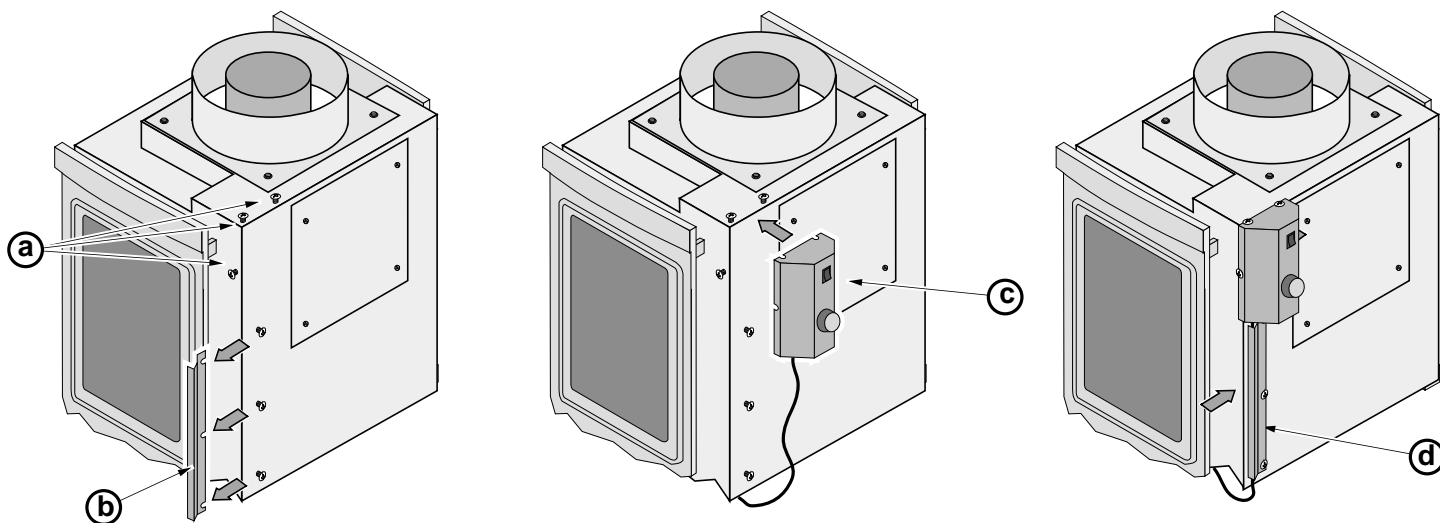
This heater is shipped in natural gas (NG) configuration but may be converted to propane (LP) using the included LP conversion kit. The sticker on top of the gas control valve will verify the correct fuel.

Installation Warnings:

- ! Failure to follow all of the requirements may result in property damage, bodily injury, or even death.
- ! This heater must be installed by a qualified installer who has gone through a training program for the installation of direct vent gas appliances.
- ! This appliance must be installed in accordance with all local codes, if any; if not, in U.S.A. follow ANSI Z223.1 and NFPA 54(88), in Canada follow B-149.
- ! In Manufactured or Mobile Homes must conform with: In USA, Manufactured Home Construction and Safety Standard, Title 24 CFR, Part 3280; In Canada, CSA Z240.4 and Gas-Equipped Recreational Vehicles and Mobile Housing. This appliance may be installed in Manufactured Housing only after the home is site located.
- ! This stove is designed to operate on natural gas or propane (LP).
- ! All exhaust gases must be vented outside the structure of the living-area. Combustion air is drawn from outside the living-area structure.
- ! Notify your insurance company before hooking up this stove.
- ! The requirements listed below are divided into sections. All requirements must be met simultaneously. The order of installation is not rigid – the qualified installer should follow the procedure best suited for the installation.

Switch Box Installation

The switch box is shipped detached on this stove. Attach it following the directions below.



- a) Loosen the three screws used to secure the switch box.
- b) Loosen the three screws holding the wire cover. Remove the wire cover and place it aside.
- c) Slide the switch box into place and secure with the three screws.
- d) Slide the wire cover into place, making sure it does not pinch any wires. Secure with the three screws.

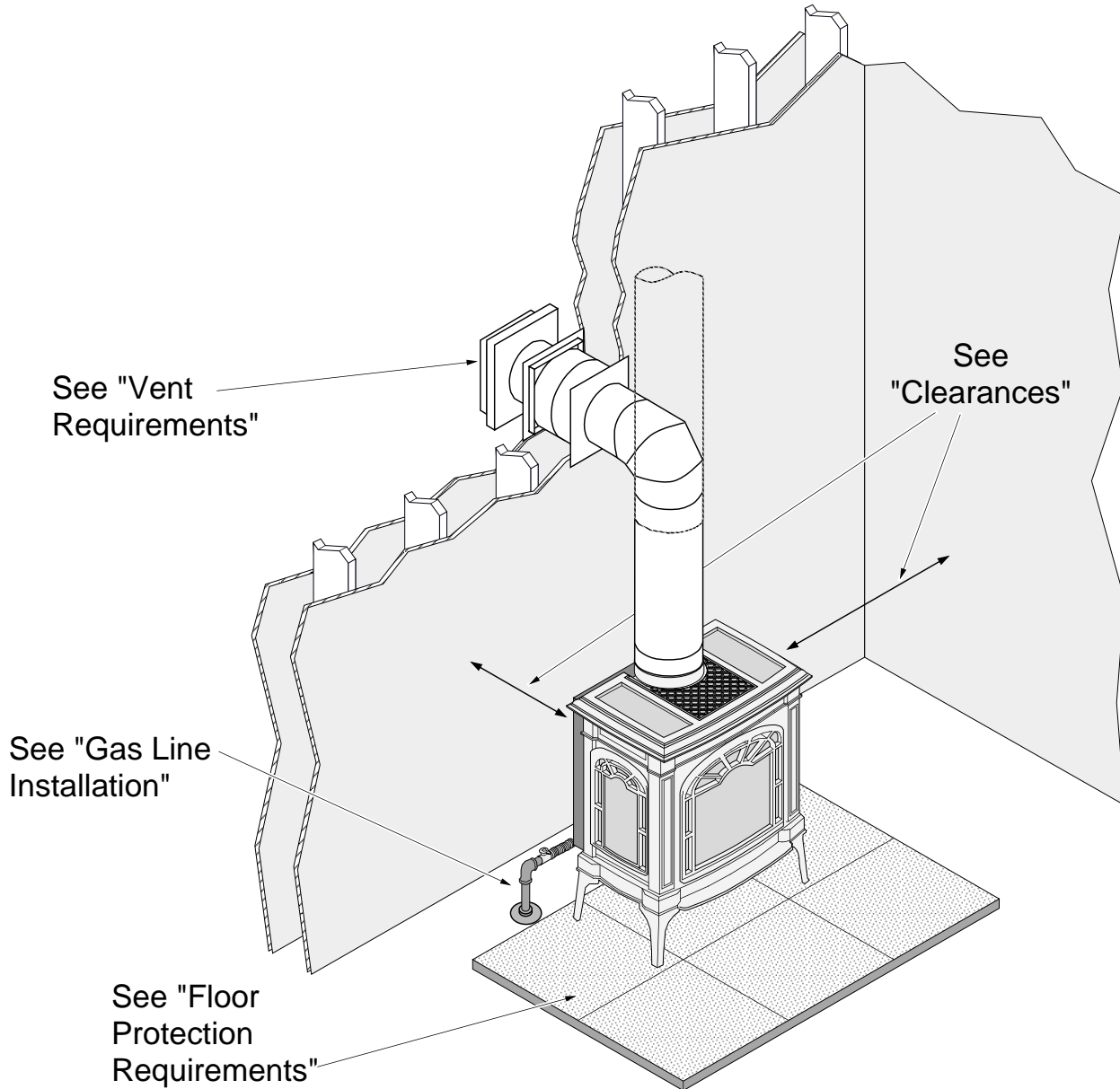
Packing List

- Propane Conversion Kit
- Log Set
- Touch-Up Paint
- Batteries (4 AA and 1 9v)
- Rear Vent Flue Cover
- Intake Damper Plates (2)
- Exhaust Restrictor Extender Plate

Additional Items Required

- Vent (see "Venting Requirements" for details)
- Gas Line Equipment (shutoff valve, pipe, etc.)

Installation Overview





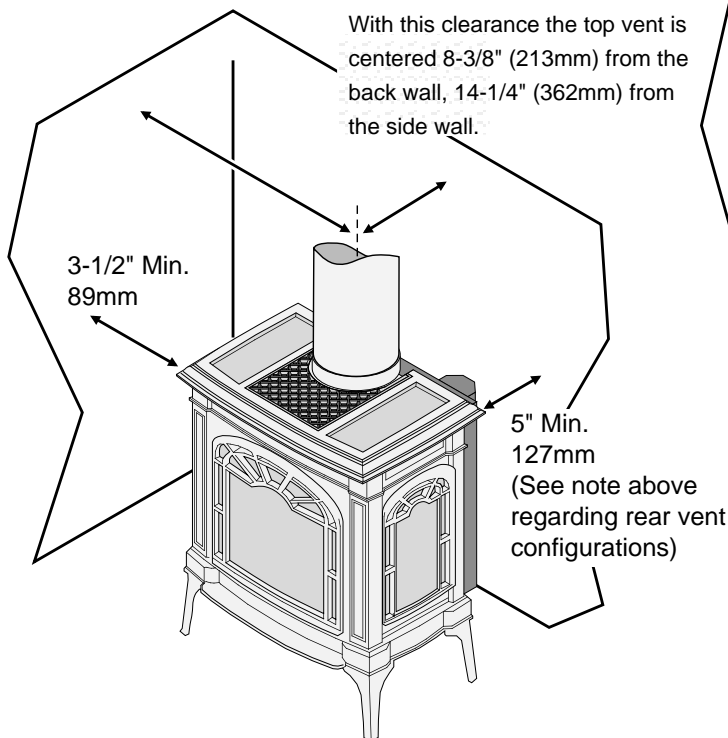
Installation Hints:

- Recommended Optional Equipment Installation Order:
 - GreenSmart Remote
 - Blower
 - LP Conversion and other optional equipment
- Install the logs last - they are fragile.
- When determining the location of the stove, locate the wall studs (for horizontal penetrations) and ceiling trusses (for vertical penetrations). You may wish to adjust the stove position slightly to ensure the vent does not intersect with a framing member.
- Fumes and smoke from the paint curing and oil burning off the steel may occur the first time you start this heater. This is normal. We recommend you open windows to vent the room.

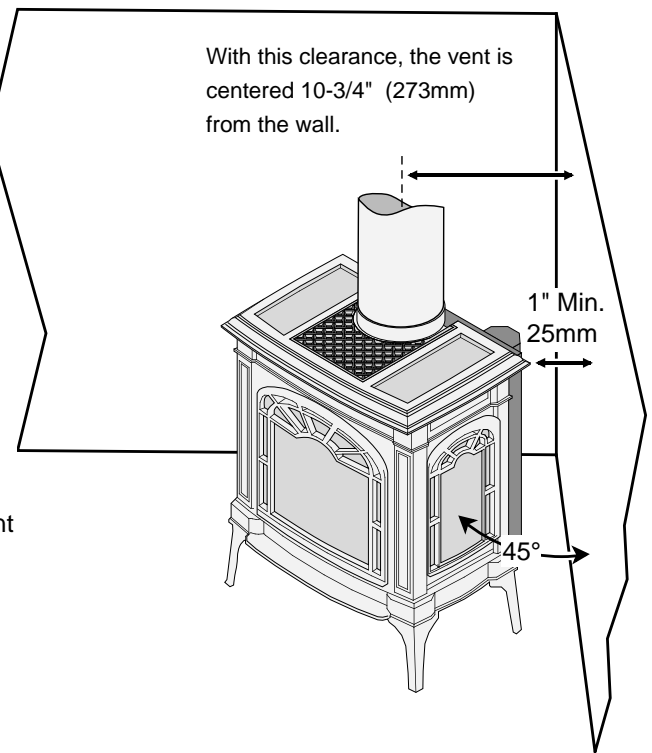
Stove Clearances

NOTE: If using the rear vent configuration, you will require approximately 8-1/2" to the rear of the stove for the vent adapter and thimble. See page 18 for details.

Straight Installations



Corner Installations



Mobile Home Requirements

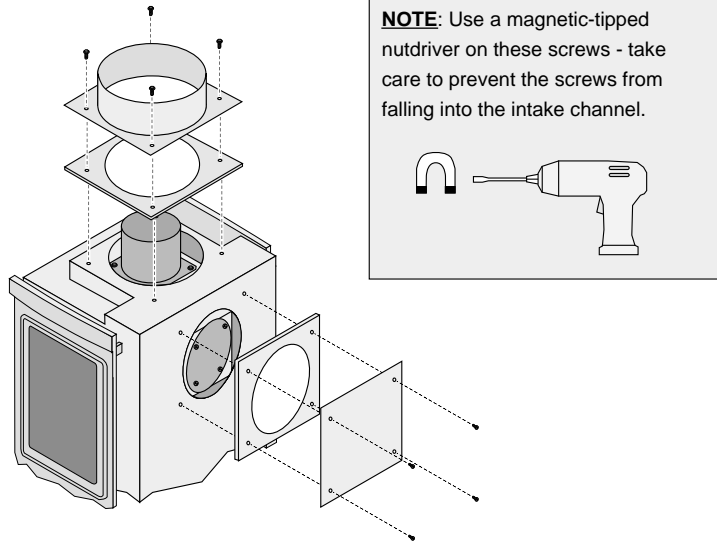
- When the stove is installed in a mobile home, it must be bolted to the floor and the appliance grounded (use the optional blower with a grounded circuit or other suitable grounding method - current ANSI/NFPA 70 or CSA C22.1).

Top to Rear Vent Modification

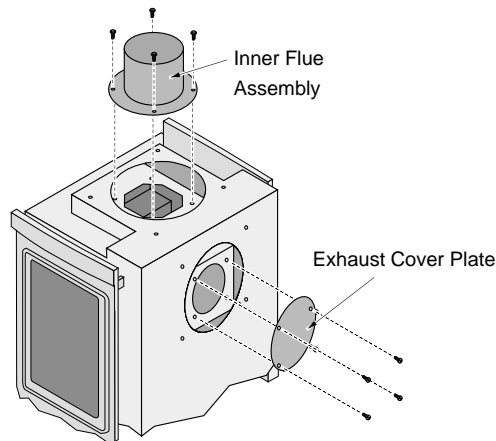
NOTE: If using the rear vent configuration, make sure to review vent configuration before proceeding.

Remove the cast iron stove top and flue cover to access the vent components (see page 29)

Remove the outer flue assembly, cover plate, and gaskets. Place the screws and components aside (for all subsequent steps).

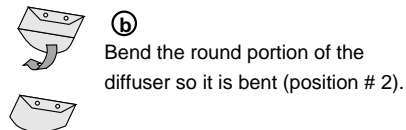


Remove the inner flue assembly and exhaust cover plate.

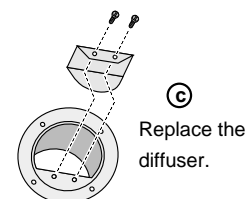
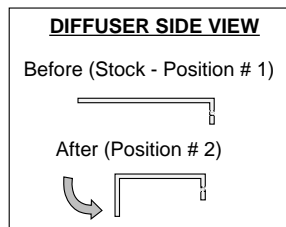
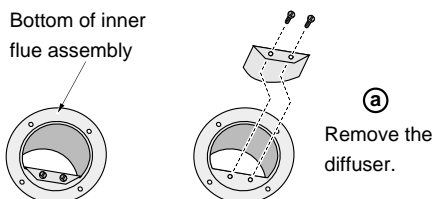


ADJUSTING THE DIFFUSER ON THE INNER FLUE ASSEMBLY

Rear vent configurations with no rise require the diffuser to be bent to the # 2 position. It is easiest to adjust this component with the inner flue removed. See the directions below.

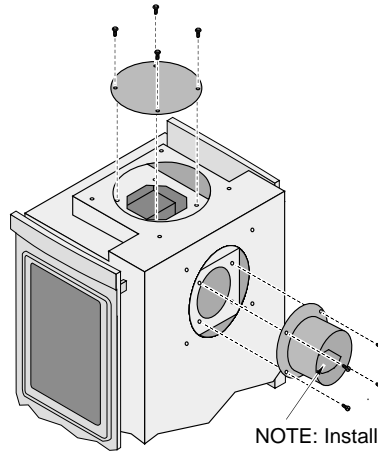


Bottom of inner flue assembly



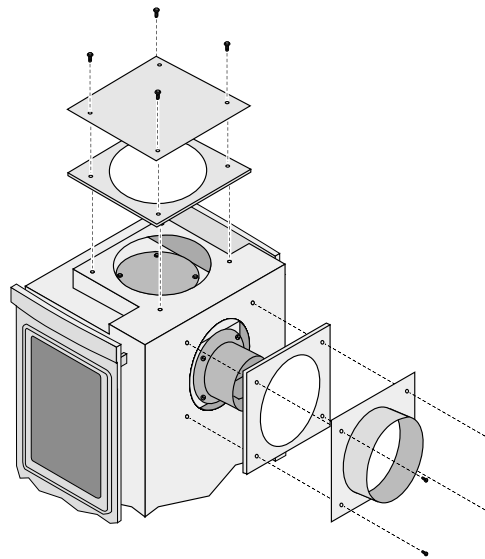
Top to Rear Vent Modification (continued)

Install the inner flue assembly and exhaust cover plate. Make sure the attached gaskets are in place and form an air-tight seal.

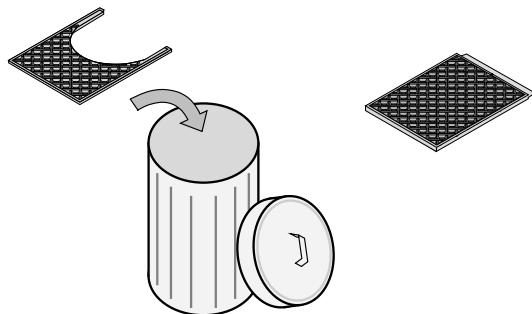


NOTE: Install the flue assembly with the diffuser to the bottom.

Install the outer flue assembly, cover plate, and gaskets. Make sure the gaskets are correctly positioned and form an air-tight seal.



The flue cover with a cutout may be discarded. Use the flue cover designed for rear vent applications.



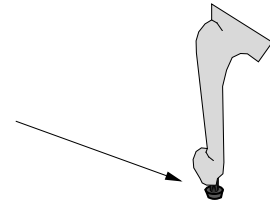
Heater Placement Requirements

- Heater must be installed on a level surface capable of supporting the heater and vent
- Due to the high temperature, the heater should be located out of traffic and away from furniture and draperies.
- When placed in a location where the floor to ceiling height is under 7 feet, the installation is considered an alcove and must meet the following requirements:
 - The alcove floor to ceiling height must be at least 38-1/8" (968mm) tall
 - The alcove must not be more than 24" (610mm) deep before the ceiling returns to 7' (2134mm)
 - The alcove must be at least 28-1/4" (718mm) wide
- The heater must not be placed so the vents below or above the door, along the sides of heater, or along the back of the heater can become blocked.
- This heater may be placed in a bedroom. Please be aware of the large amount of heat this appliance produces when determining a location.

Floor Protection Requirements

- When the stove is installed directly on carpeting, vinyl or other combustible material other than wood flooring or a high pressure laminate wood floor, the stove must be installed on a metal or wood protection panel extending the full width and depth of the heater (Minimum 21-1/4" wide by 15-7/8" deep).

Make sure these rubber tipped bolts on each leg contact the floor (they dampen any noise that may transmit through the hearth). Do not adjust with weight on the legs, the rubber tips may tear.

***Electrical Requirements***

- Plug the stove into a grounded receptacle supplying a minimum 1.5 amps (120 Volts, 60 Hz, 180 watts).

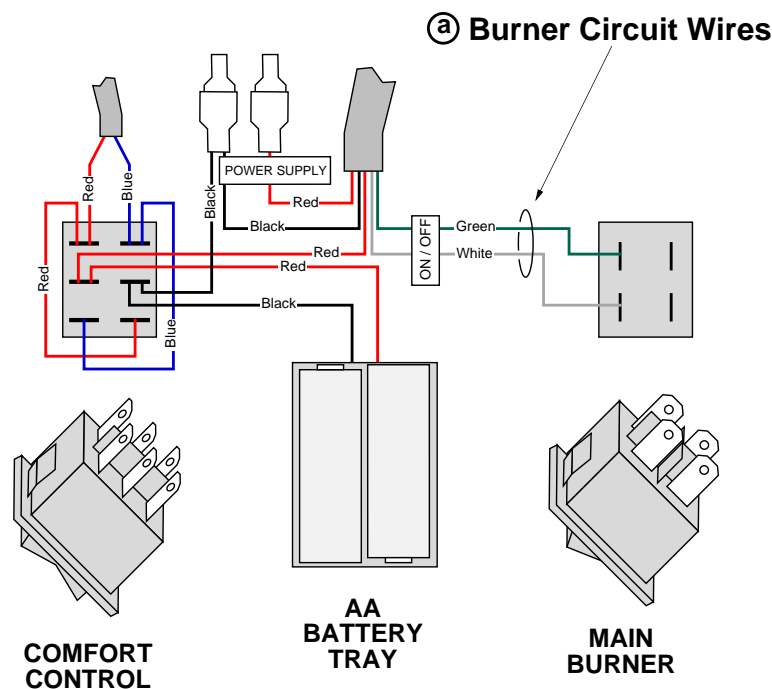
Optional Wall Switch or Thermostat Installation



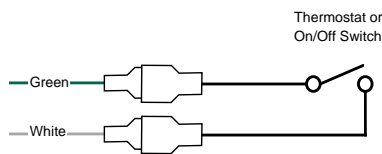
Do not connect 110-120 VAC to the gas control valve or wiring system of this stove. The switch must be installed by a qualified installer.

This stove may be installed with an optional wall switch or thermostat. The thermostat (or on/off switch) wires will interrupt the burner circuit (see item “a” below).

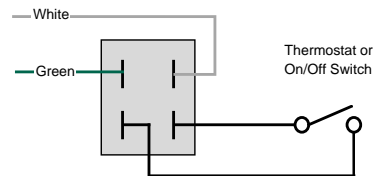
1. If you wish to bypass the switch, connect the thermostat (on/off switch) wires directly to the green and white wires (see “b” below).
2. If you wish keep the switch (series) – re-align the wires as shown in item “c” below. NOTE: The on/off switch must be in the “ON” position for the thermostat (or on/off switch) to operate.



b) Bypass

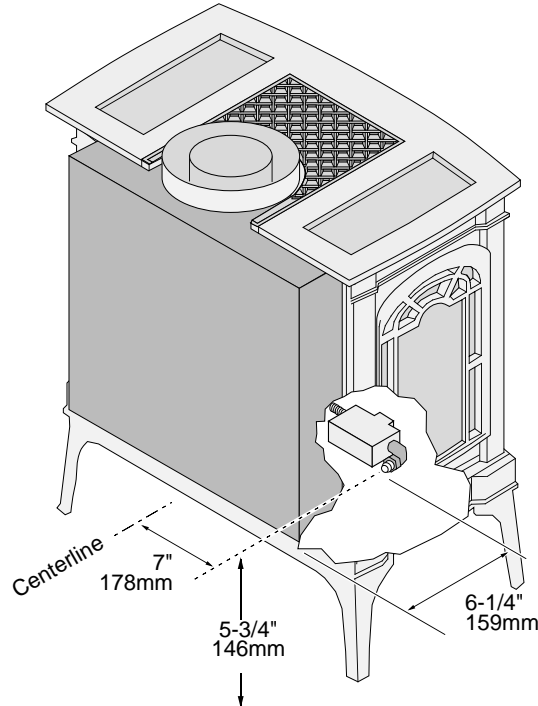


c) Series



Gas Line Installation

- ! The gas line must be installed in accordance with all local codes, if any; if not, follow current ANSI Z223.1 or NFPA 54 in the USA and the current CGA B149 in Canada.
- ! The heater and gas control valve must be disconnected from the gas supply piping during any pressure testing of that system at test pressures in excess of 1/2 psig (3.45 kPa). For pressures under 1/2 psig (3.45 kPa), isolate the gas supply piping by closing the manual shutoff valve.
- This heater is designed for natural gas but can be converted to propane. Check the sticker on top of the gas control valve to verify the correct fuel is used (see page 4).
- Leak test all gas line joints and the gas control valve prior to and after starting the heater.
- The location of the gas inlet is shown below
- A manual shutoff valve is required for installation (it must be located within 3' of the heater). T-Handle gas cocks are required in Massachusetts in compliance with code 248CMR.
- This stove is shipped with a 16" long, 3/8" diameter flex gas line attached to an elbow on the gas control valve (see illustration below for location). The flex accepts a 3/8" flare fitting.



Gas Inlet Pressure

- With the heater off, the inlet pressure must meet the requirements listed in the table below
- If the pressure is not sufficient, make sure the piping used is large enough and the total gas load for the residence does not exceed the amount supplied.
- The supply regulator (the regulator that attaches directly to the residence inlet or to the propane tank) should supply gas at the suggested input pressure listed below. Contact the local gas supplier if the regulator is at an improper pressure.

| | Standard Input Pressure |
|-------------|-------------------------|
| Natural Gas | 7" W.C. (1.74 Kpa) |
| Propane | 13" W.C. (3.23 Kpa) |

Vent Requirements

- The gas appliance and vent system must be vented directly to the outside of the building, and never be attached to a chimney serving a separate solid fuel or gas-burning appliance. Each direct vent gas appliance must use its own separate vent system.
- In addition to the requirements listed here, follow the requirements provided with the vent.
- When the vent passes through a wall a wall thimble is required. When the vent passes through a ceiling a support box or firestop is required. When the vent passes through the roof, a roof flashing and storm collar are required. Follow the instructions provided with the vent for installing these items. NOTE: Wall thimbles may have different dimensions than what is required by this heater.
- The vent must maintain the required 1" clearance to combustible materials to prevent a fire. Do not fill air spaces with insulation.

Altitude Considerations

- Failure to adjust the air shutter properly may lead to improper combustion which can create a safety hazard. Consult your dealer or installer if you suspect an improperly adjusted air shutter.
- This heater has been tested at altitudes ranging from sea level to 6,000 feet (1,800 M). In this testing we have found that the heater, with its standard orifice, burns correctly with just an air shutter adjustment.

Approved Caps

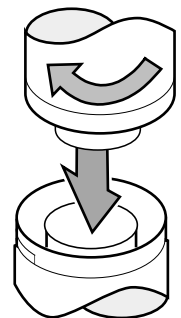
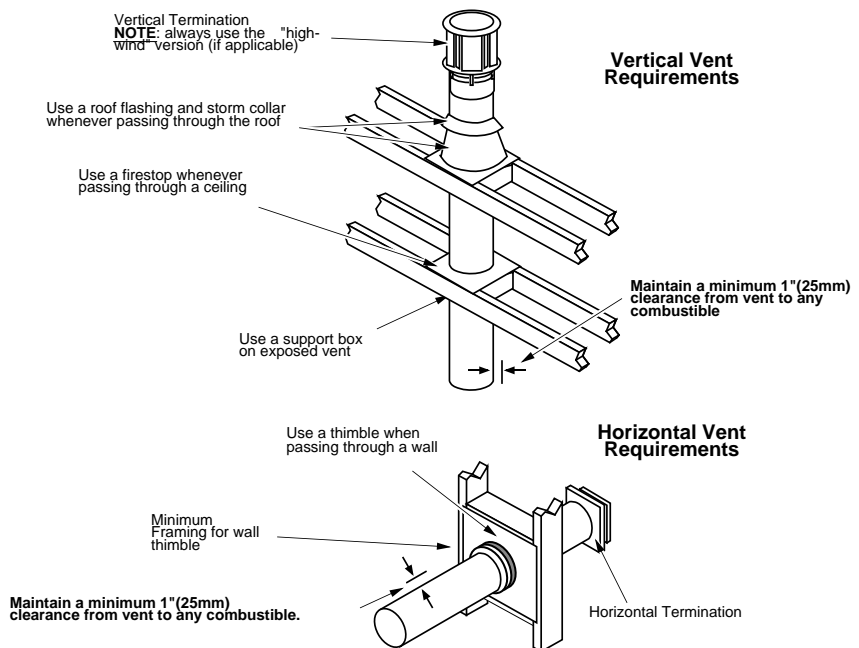
- Always use the high-wind cap (the scone cap is not approved for this stove).

Approved Vent

- Use Simpson Dura-Vent Direct-Vent Pro (or GS)*.
* Other vent may be approved with this stove. Check with the vent manufacturer for details.
- Vent Diameter is determined by vent configuration. Rear vent configurations with no rise use 8" (203mm) diameter vent, all other vent configurations use 6-5/8" (168mm). See Approved Vent Configurations on page 16 for details.
- Installation instructions for Simpson Dura-Vent may be found at www.duravent.com

Vent Installation

- Slide the vent sections together and turn 1/4 turn until the sections lock in place.
- Screws are not required to secure the vent. However, three screws may be used to secure vent sections together if desired.
- High temperature sealant is recommended at the appliance starter section connection (use high-temperature silicone or Mill-Pac®).
- If disassembly is required, at time of re-assembly check to see if the vent creates a tight fit. If it does not, apply high temperature sealant to the joints of the affected sections.
- Horizontal sections require a 1/4" rise every 12" of travel
- Horizontal sections require non-combustible support every three feet (e.g.: plumbing tape)



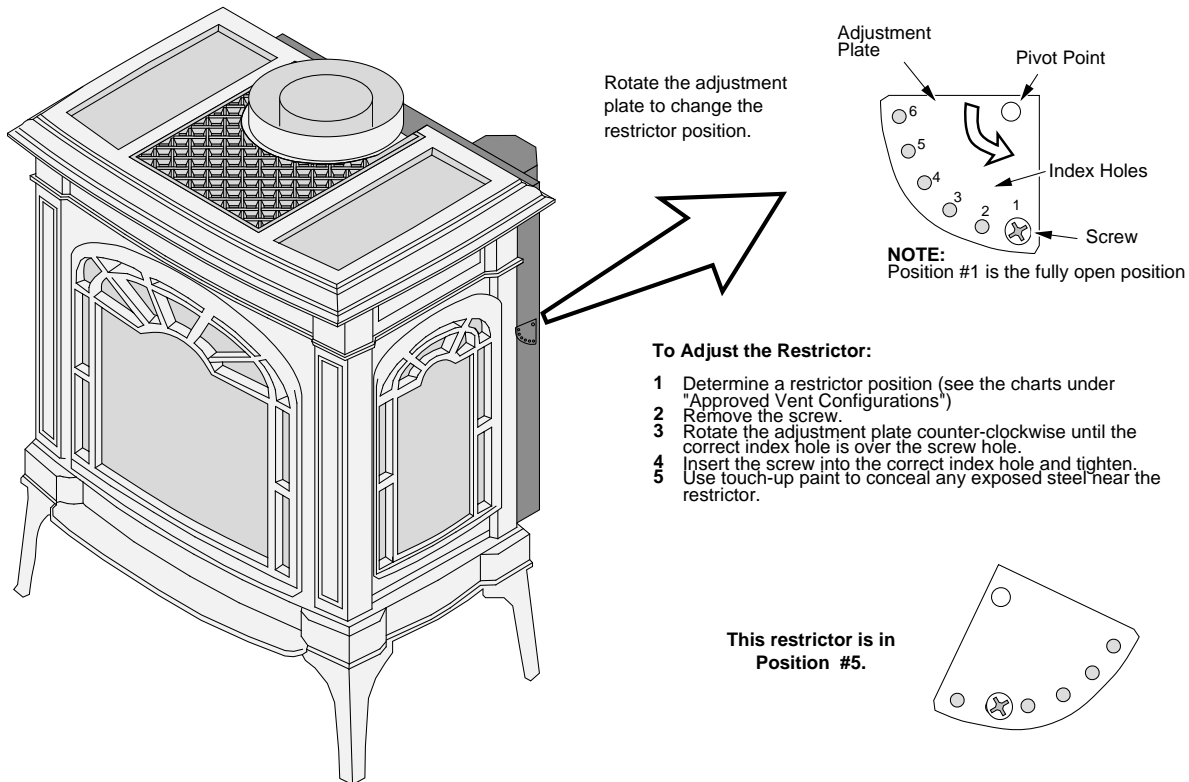
Approved Vent Configurations

Overview

This appliance has several components used to control the flow of intake air and exhaust gases. Depending upon vent configuration, you may be required to adjust the intake restrictor, exhaust restrictor, diffuser and/or install the intake dampers and extender plate. Refer to the vent configuration (pages 18 to 23) to determine the correct restrictor, damper, extender, and diffuser settings.

Intake Restrictor

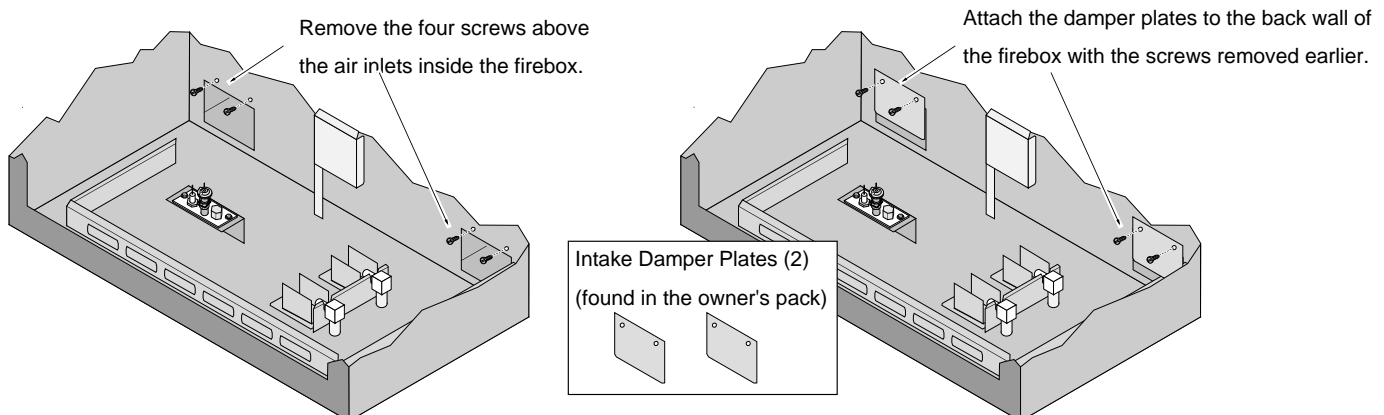
NOTE: Refer to the vent configuration (pages 18 to 23) to determine the correct restrictor position.



Intake Damper Plates

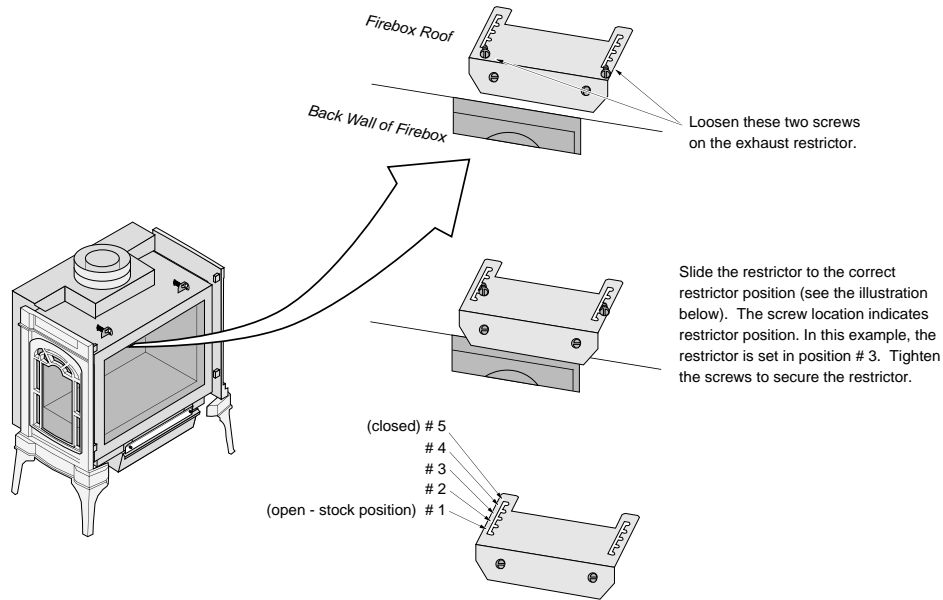
NOTE: Refer to the vent configuration (pages 18 to 23) to determine if these plates must be installed.

- Two intake damper plates are included in the owner's pack. They are installed behind the burner in certain vent configurations. See page 45 for details on removing the burner.



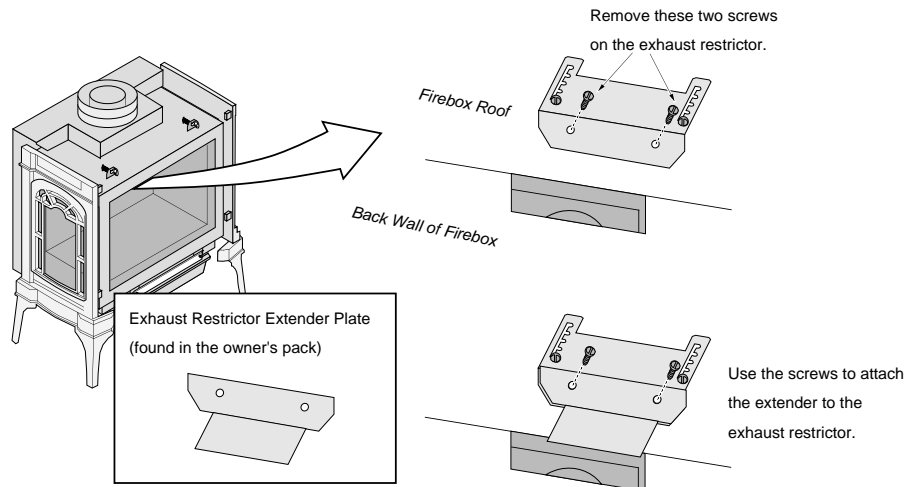
Exhaust Restrictor

NOTE: Refer to the vent configuration (pages 18 to 23) to determine the correct restrictor position.



Exhaust Restrictor Extender Plate

NOTE: Refer to the vent configuration (pages 18 to 23) to determine if the extender must be installed.



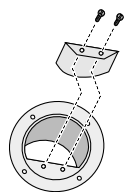
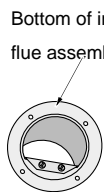
Diffuser

NOTE: Refer to the vent configuration (pages 18 to 23) to determine if the diffuser must be adjusted.

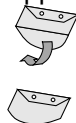
- The diffuser is best accessed while converting the appliance to rear vent (see page 10).

The diffuser is found on the inner flue assembly (see Top to Rear Vent Configuration for details).

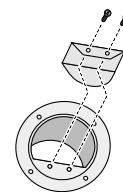
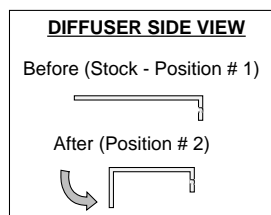
Bottom of inner flue assembly



- (a)** Remove the diffuser.



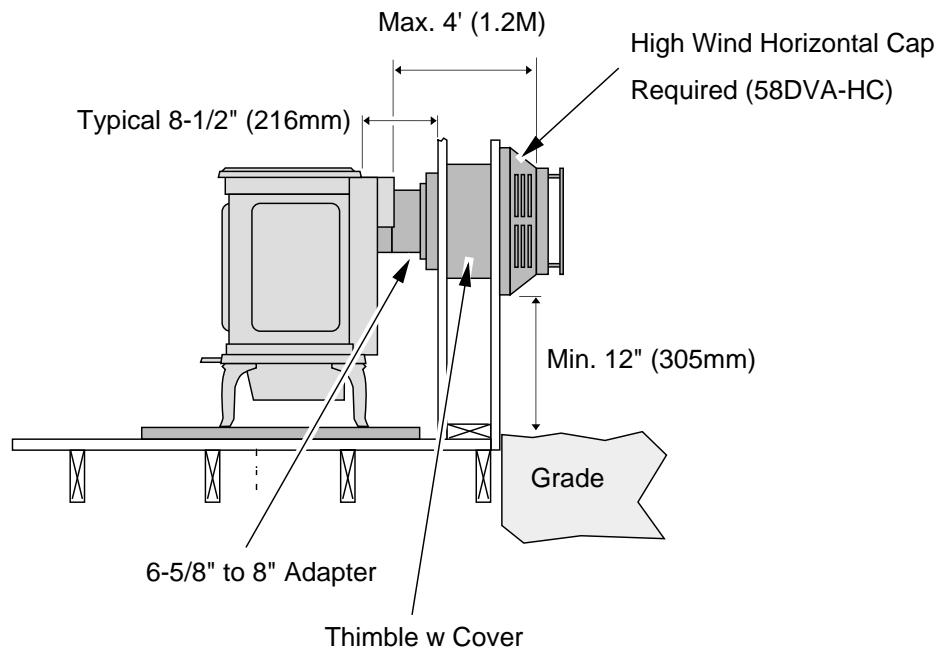
- (b)** Bend the round portion of the diffuser so it is bent (position # 2).



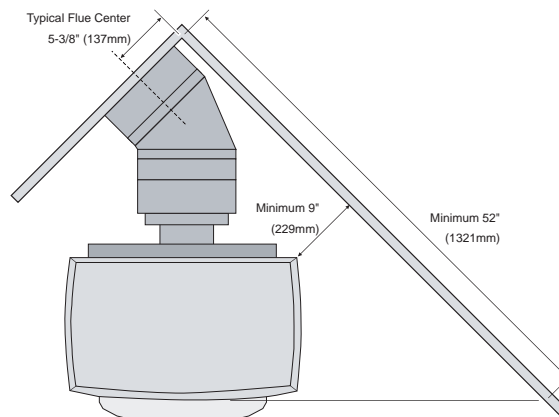
- (c)** Replace the diffuser.

Rear Vent Configurations with Horizontal Termination and No Rise

- Use 8" Diameter Vent with a 6-5/8" to 8" adapter (increaser). We recommend using the minimum vent kit from Travis Industries (SKU 96200311). This kit contains the following components used to vent the stove through a typical exterior wall:
 - 6-5/8" to 8" Adapter (Black)
 - Thimble (2 pieces)
 - Thimble Cover (Black)
 - Pipe Section (3.9")
 - High-Wind Horizontal Cap
- Place the 6-5/8" to 8" adapter directly onto stove (see illustration below).
- Maximum Horizontal Run of 4'.
- Horizontal sections require a 1/4" (6mm) rise every 12" (305mm) of travel.
- Maximum of one (1) 45° elbow may be used between horizontal sections.
- Diffuser must be set to closed (#2) position.
- Intake and exhaust restrictor must be set to the #1 (stock) position.
- Do not install the intake damper plate or exhaust restrictor extender plates.

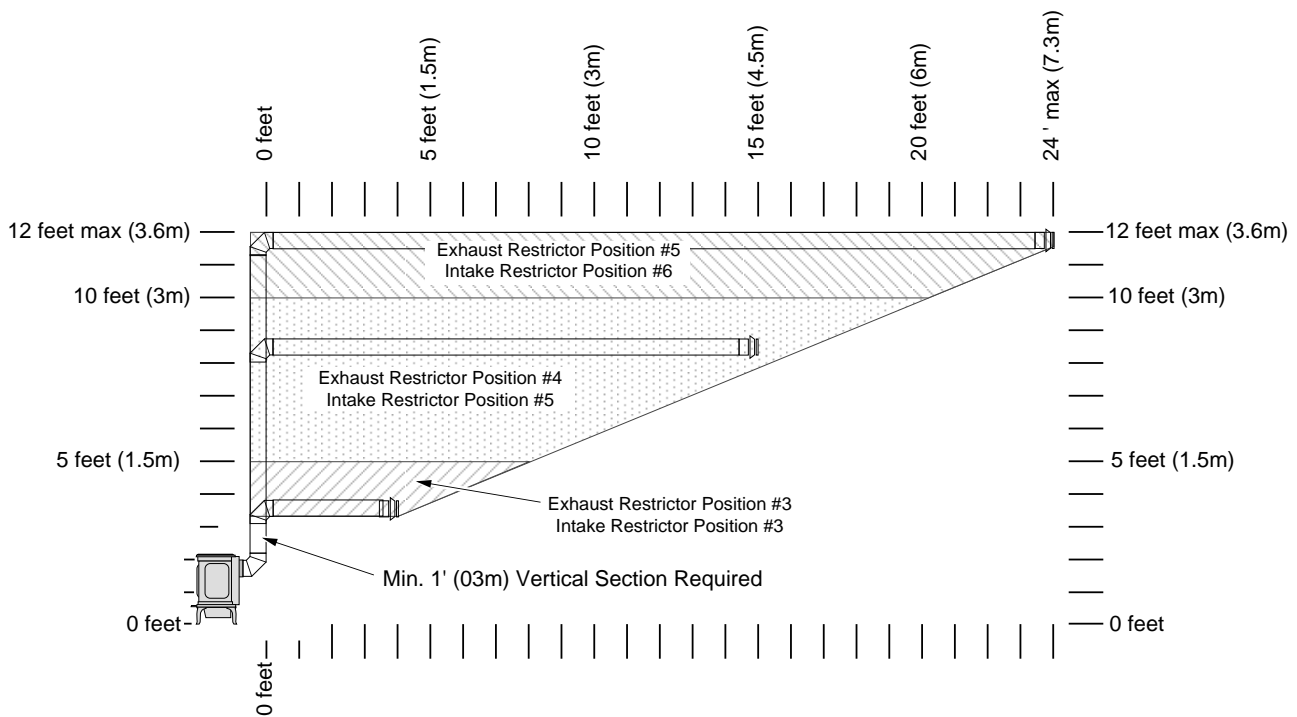


Corner Installations



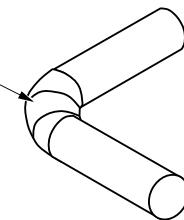
Rear Vent Configurations with Horizontal Termination and 1' Min. Rise

- Use 6-5/8" Diameter Vent
- Horizontal sections require a 1/4" (6mm) rise every 12" (305mm) of travel.
- Maximum of one (1) 45° or 90° horizontal elbow may be used (see illustration).
- The termination must fall within the shaded area shown in the chart. Use the indicated restrictor positions. NOTE: Restrictor positions are based upon lab tests. The ideal restrictor position may vary slightly, especially when the termination is near a demarcation line.
- Diffuser set to open (stock) position).
- Do not install the intake damper plate or exhaust restrictor extender plates.



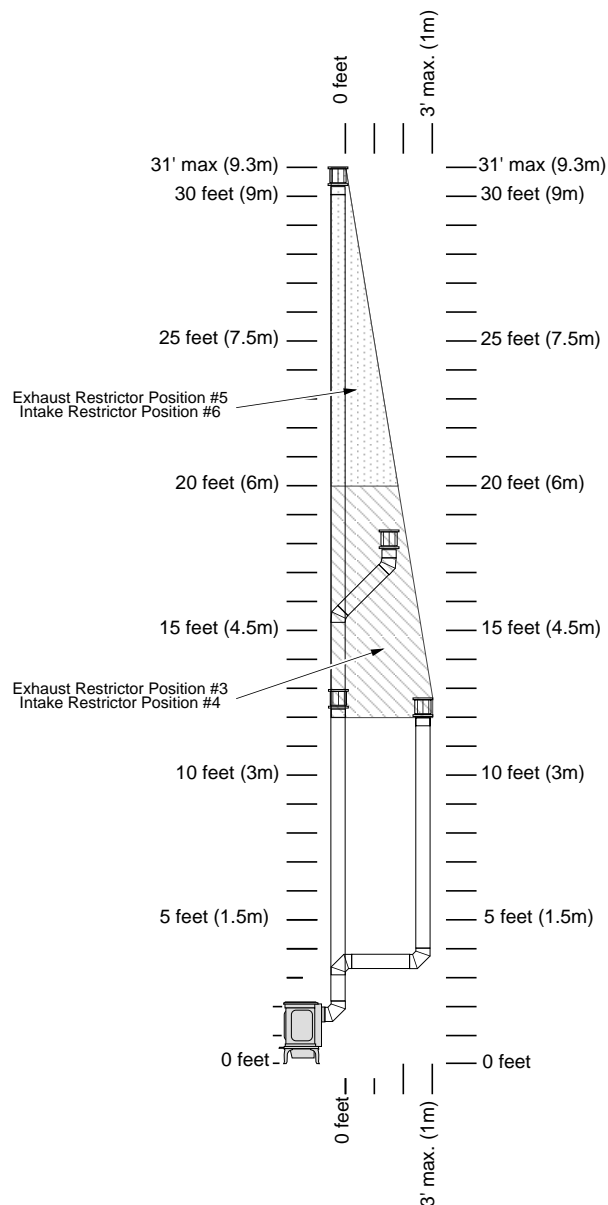
Horizontal Elbow

Horizontal elbows are elbows placed between two horizontal sections of pipe. One 45° or 90° horizontal elbow is allowed for this configuration.



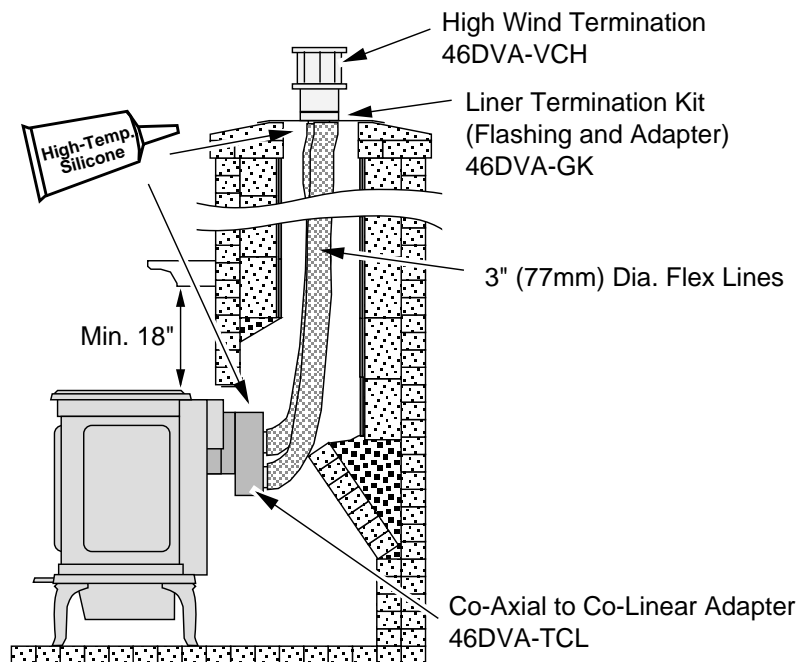
Rear Vent Configurations with Vertical Termination

- Use 6-5/8" Diameter Vent
- Horizontal sections require a ¼" (6mm) rise every 12" (305mm) of travel.
- A maximum of three (3) elbows may be used (e.g.: one 90° and two 45° or three 90°).
- The termination must fall within the shaded area shown in the chart. Use the indicated restrictor positions. NOTE: Restrictor positions are based upon lab tests. The ideal restrictor position may vary slightly, especially when the termination is near a demarcation line.
- Diffuser set to open (stock) position).
- Install the intake damper plate.
- Install the exhaust restrictor extender plate.



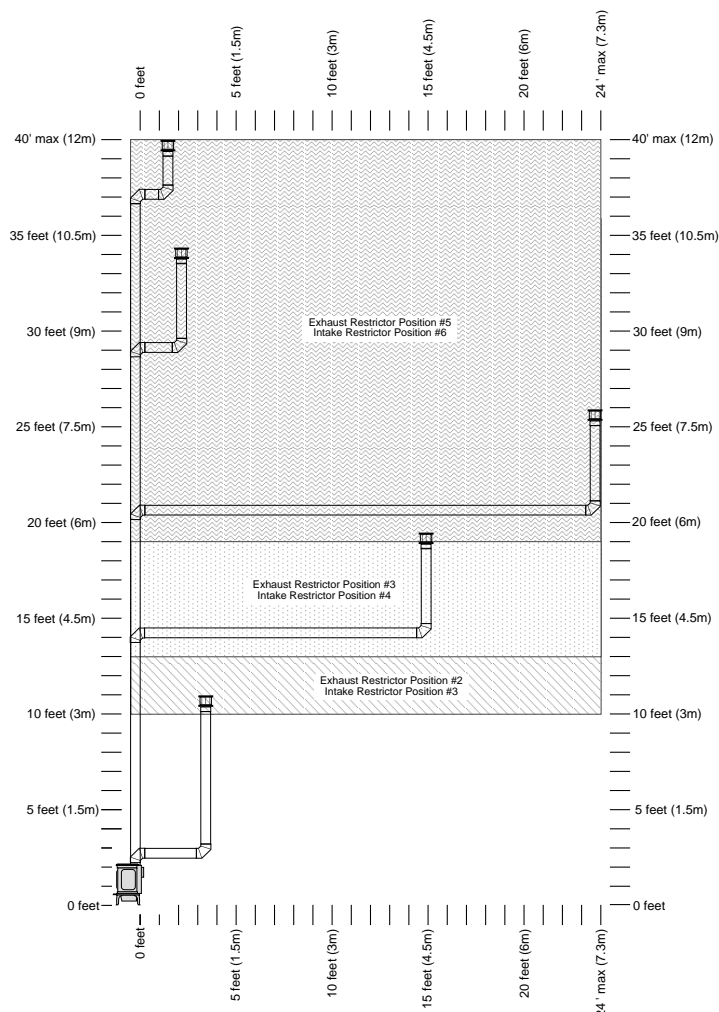
Rear Vent Configuration Vented into Fireplace with Co-Linear Adapter

- Attach the Co-Linear adapter directly to the back of the stove. Use two (2) 3" UL 441 or 1775 gas liners to vent the appliance through a code-conforming masonry or metal (zc) fireplace. All clearances to combustibles must be met and the flex vent must be vented through a non-combustible fireplace chimney.
- Use a high-wind termination cap.
- Vent height must be a minimum 10' and maximum 25'.
- Diffuser must be set to closed (#2) position.
- Intake and exhaust restrictor must be set to the #1 (stock) position.
- Do not install the intake damper plate or exhaust restrictor extender plates.



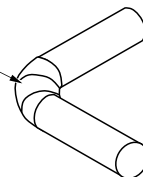
Top Vent Configuration with Vertical Termination

- Use 6-5/8" Diameter Vent
- Horizontal sections require a 1/4" (6mm) rise every 12" (305mm) of travel.
- A maximum of four (4) 45° or 90° elbows may be used. Of these elbows, only one (1) may be a horizontal elbow (see illustration).
- The termination must fall within the shaded area shown in the chart. Use the indicated restrictor positions. NOTE: Restrictor positions are based upon lab tests. The ideal restrictor position may vary slightly, especially when the termination is near a demarcation line.
- Diffuser set to open (stock) position.
- Install the intake damper plate.
- Install the exhaust restrictor extender plate.



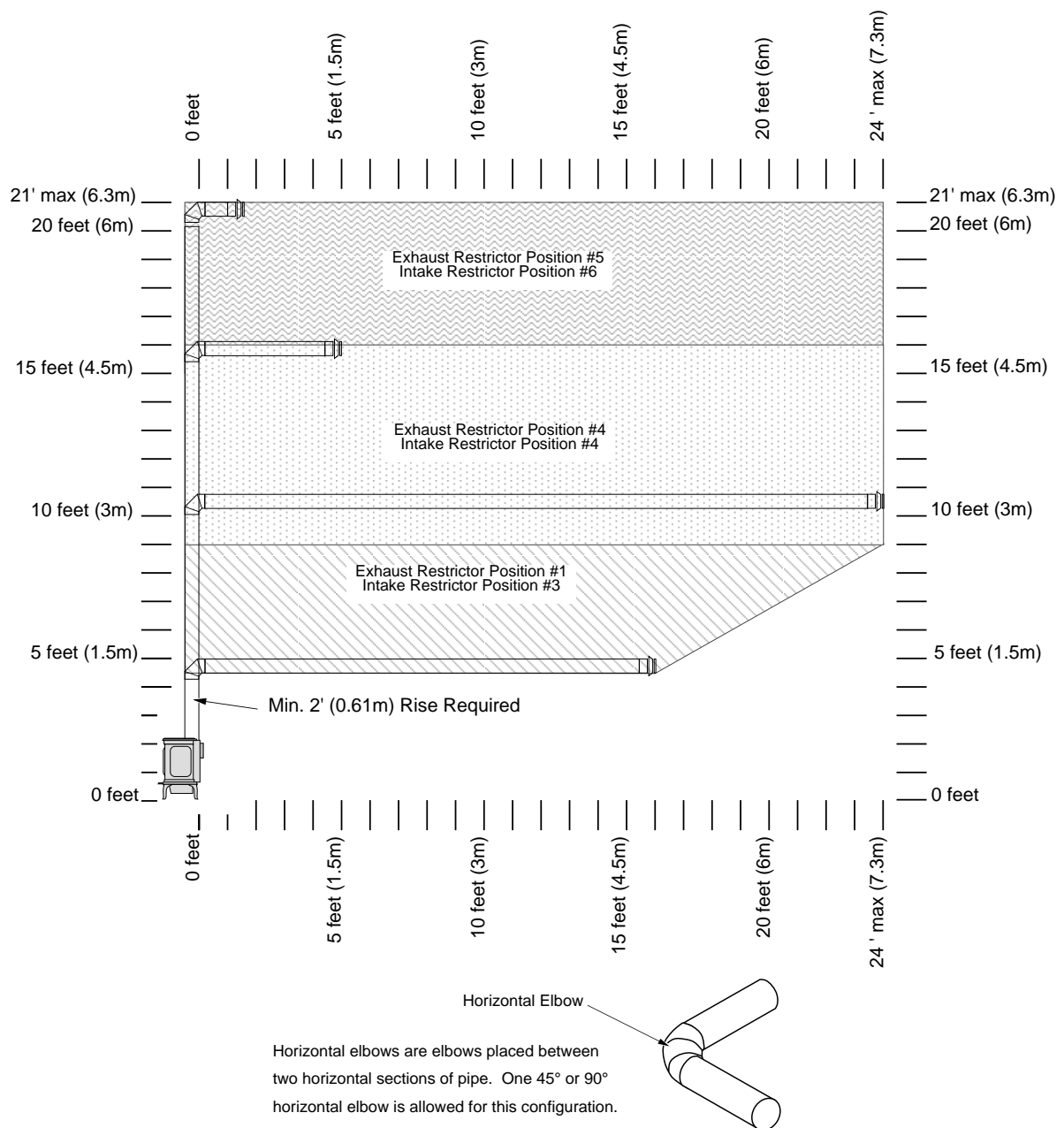
Horizontal Elbow

Horizontal elbows are elbows placed between two horizontal sections of pipe. One 45° or 90° horizontal elbow is allowed for this configuration.



Top Vent Configuration with Horizontal Termination

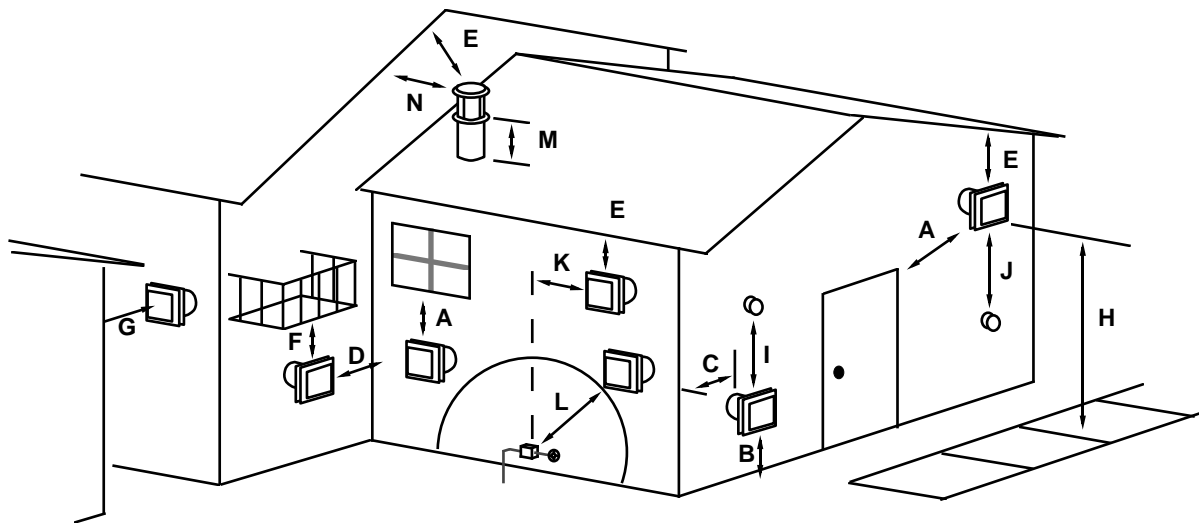
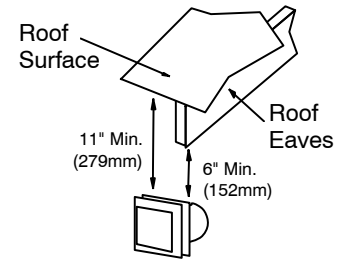
- Use 6-5/8" Diameter Vent
- Horizontal sections require a 1/4" (6mm) rise every 12" (305mm) of travel.
- A maximum of four (4) 45° or 90° elbows may be used. Of these elbows, only one (1) may be a horizontal elbow (see illustration).
- The termination must fall within the shaded area shown in the chart. Use the indicated restrictor positions. NOTE: Restrictor positions are based upon lab tests. The ideal restrictor position may vary slightly, especially when the termination is near a demarcation line.
- Diffuser set to open (stock) position).
- Do not install the intake damper plate or exhaust restrictor extender plates.



Vent Termination Requirements *(see illustration below)*

! Venting terminals shall not be recessed into a wall or siding.

- A Minimum 9" (229mm) clearance from any door or window
- B Minimum 12" (305mm) above any grade, veranda, porch, deck or balcony
- C Minimum 1" (25mm) from outside corner walls
NOTE: Clearance in accordance with local installation codes and the requirements of the gas supplier.
- D Minimum 12" (305mm) from inside corner walls
NOTE: Clearance in accordance with local installation codes and the requirements of the gas supplier.
- E Minimum 11" (279mm) clearance below unventilated soffits or roof surfaces
 Minimum 18" (457mm) clearance below ventilated soffits
 Minimum 6" (152mm) clearance below roof eaves
NOTE: Vinyl surfaces require 24" (610mm)
NOTE: Clearance in accordance with local installation codes and the requirements of the gas supplier.
- F Minimum 12" (305mm) clearance below a veranda, porch, deck or balcony
NOTE: Permitted only if veranda, porch, deck, or balcony is fully open on a minimum of two sides beneath the floor.
NOTE: Clearance in accordance with local installation codes and the requirements of the gas supplier.
- G Minimum 48" (1219mm) clearance from any adjacent building
- H Minimum 84" (2134mm) clearance above any grade when adjacent to public walkways or driveways
NOTE: may not be used over a walkway or driveway shared by an adjacent building
- I Minimum 9" (229mm) clearance to any nonmechanical air supply inlet to the building or the combustion air inlet to any other appliance.
- J Minimum 36" (914mm) clearance above any mechanical air supply inlet if within 10' (3M) horizontally
- K Minimum 36" (914mm) from the area above the meter/regulator (vent outlet) - this extends 15' (4.5M) above the regulator
NOTE: Clearance in accordance with local installation codes and the requirements of the gas supplier.
- L Minimum 36" (914mm) from the meter/regulator (vent outlet)
NOTE: Clearance in accordance with local installation codes and the requirements of the gas supplier.
- M Minimum 12" (305mm) above the roof line (for vertical terminations)
- N Minimum 24" (610mm) horizontal clearance to any surface (such as an exterior wall) – for vertical terminations



NOTE: Measure clearances to the nearest edge of the exhaust hood.

- Use the vinyl siding standoff when installing on an exterior with vinyl siding.
- Vent termination must not be located where it will become plugged by snow or other material

Class A Chimney Conversion Kit (top vent configuration only)

Simpson DuraVent provides a conversion kit for those wishing to use an existing wood stove chimney to vent this direct vent stove. The illustration below gives an overview of this type of installation. See the instructions included with the kit for details.

- ! Do not exceed the maximum vertical rise (see the section "Approved Vent Configurations" starting on page 16) allowable. Remember to set the restrictor position to the correct position (based upon the vertical rise height - see the chart on page 22).
- ! The conversion kit does not work on interior masonry chimneys.

Chimney Conversion Kit A (# 931)

Metalbestos 6" I.D.
Security Chimneys 6" I.D.
Jacks-Evans 6" I.D.
Hart & Cooley 6" I.D.
Pro-Jet 6" I.D.

Chimney Conversion Kit B (# 932)

Simpson Dura-Vent 6" I.D.
Air-Jet 6" I.D.
Metal-Fab 6" and 7" I.D.
Amer. Metals 6" & 7" I.D.
Metalbestos 7" and 8" I.D.
Jacks-Evans 7" and 8" I.D.
Hart & Cooley 7" and 8" I.D.
Pro-Jet 7" and 8" I.D.
Security Chimneys 8" I.D.

Chimney Conversion Kit C (# 933)

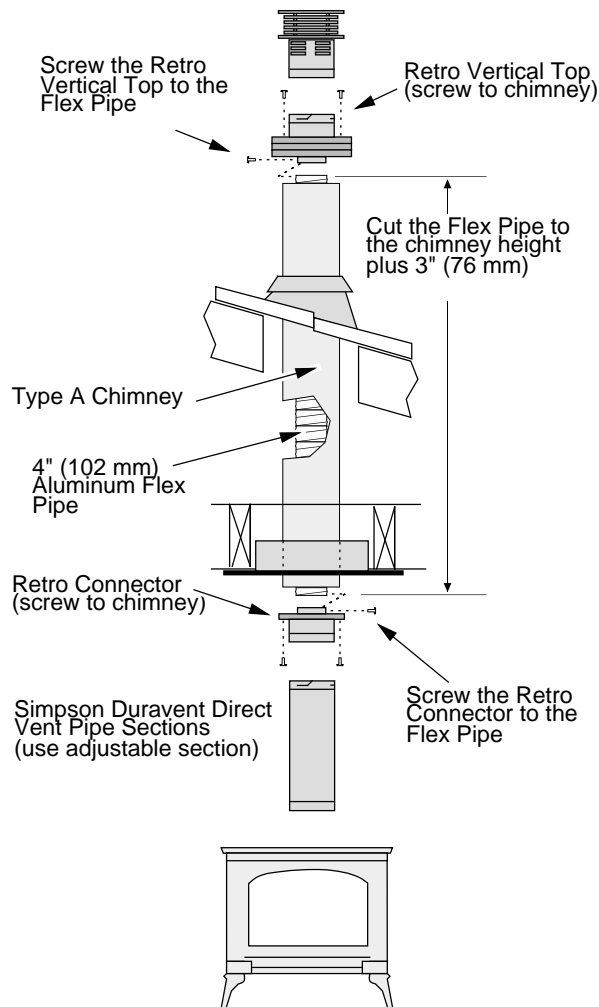
Simpson Dura-Vent 7" and 8" I.D.
American Metals 8" I.D.
Air-Jet 8" I.D.
Metal-Fab 8" I.D.
American Metals 8" I.D.

Each Kit Contains:

Retro Connector
Retro Vertical Top

Additional Required Equipment:

4" Flex (#711 or U.L. 1777)
Termination (#991)
Co-Axial Sections



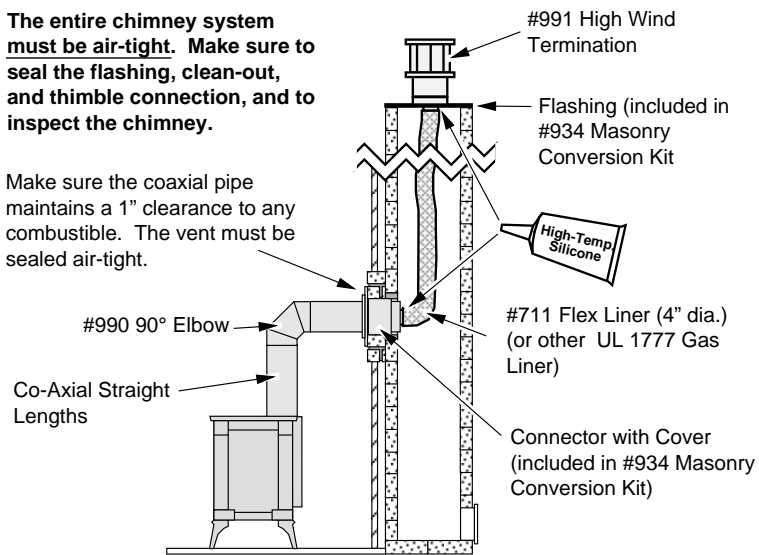
Interior Masonry Chimney Conversions (top vent configuration only)

- Follow the requirements and use the equipment listed in the illustration below to install this appliance into an interior masonry chimney.
 - Maximum vertical rise is 40'
 - Minimum vertical rise is 10'
 - See the chart on page 22 for determining the correct restrictor position.
- NOTE:** these restrictor positions are based upon lab tests. The ideal restrictor position may vary slightly.

Interior Masonry Chimney

The entire chimney system **must be air-tight**. Make sure to seal the flashing, clean-out, and thimble connection, and to inspect the chimney.

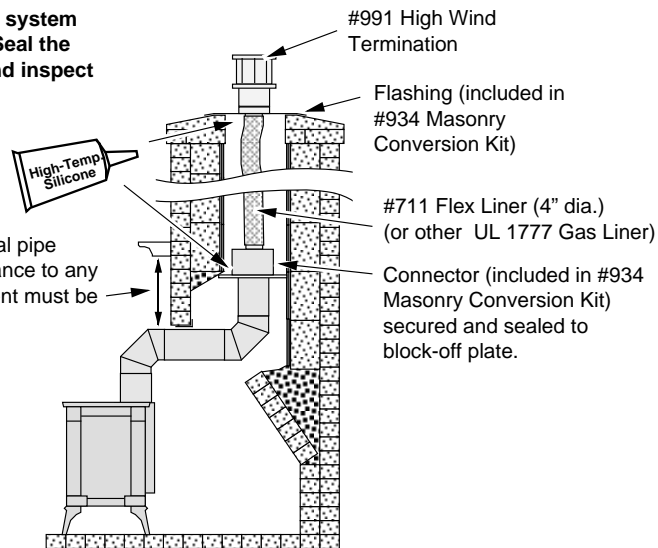
Make sure the coaxial pipe maintains a 1" clearance to any combustible. The vent must be sealed air-tight.



Standard Masonry Fireplace

The entire chimney system **must be air-tight**. Seal the connector cover and inspect the chimney.

Make sure the coaxial pipe maintains a 1" clearance to any combustible. The vent must be sealed air-tight.

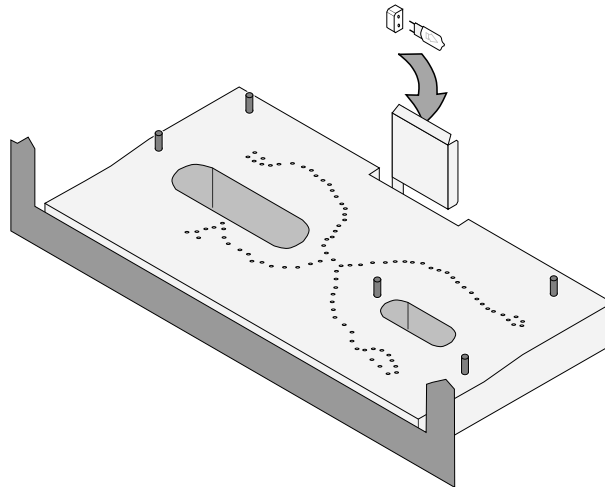


Steps for Finalizing the Installation

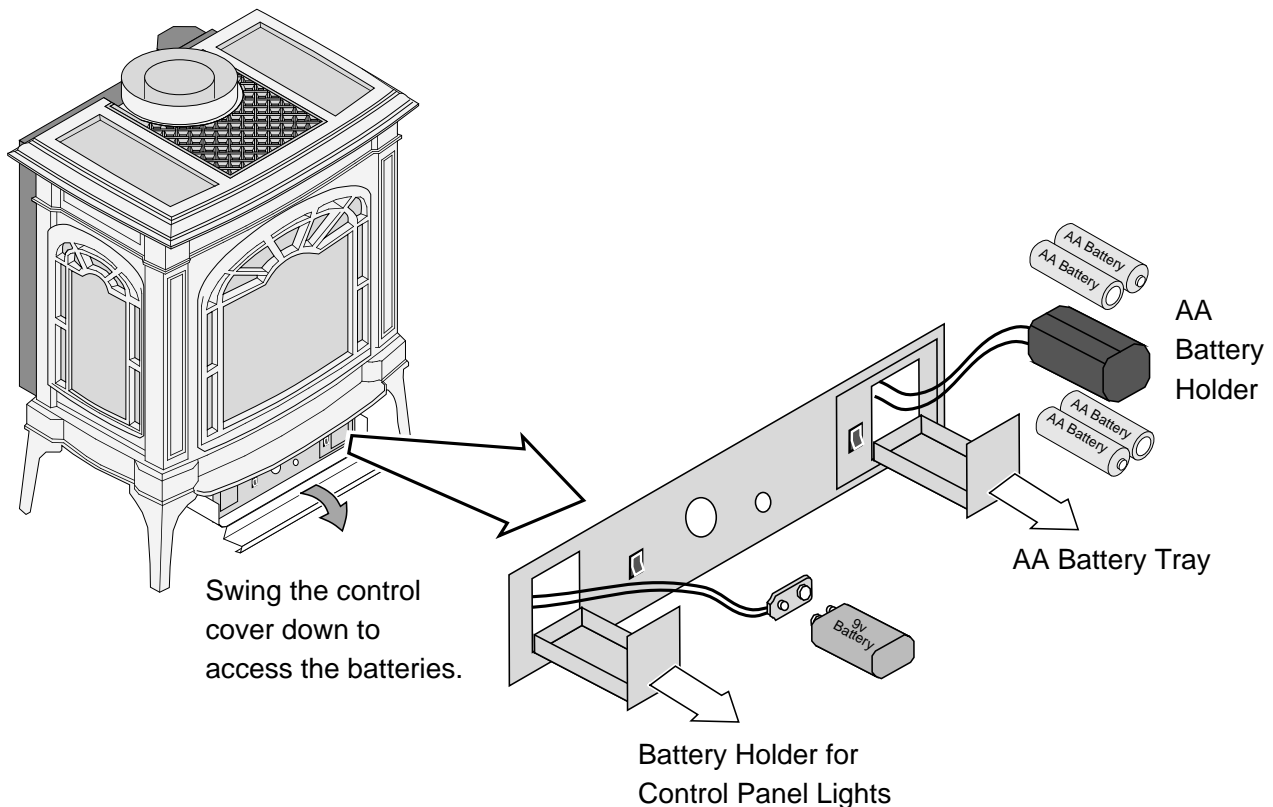
1. Remove the glass (see page 29).

NOTE: If using propane (LP) convert the appliance prior to installing the logs.

2. We recommend you purge the gas line at this time (with the glass removed). This allows gas to be detected once it enters the firebox, ensuring gas does not build up.
3. Make sure the accent light bulb is in place.
NOTE: Take care to not touch the bulb with your fingers – use a cloth or paper towel).



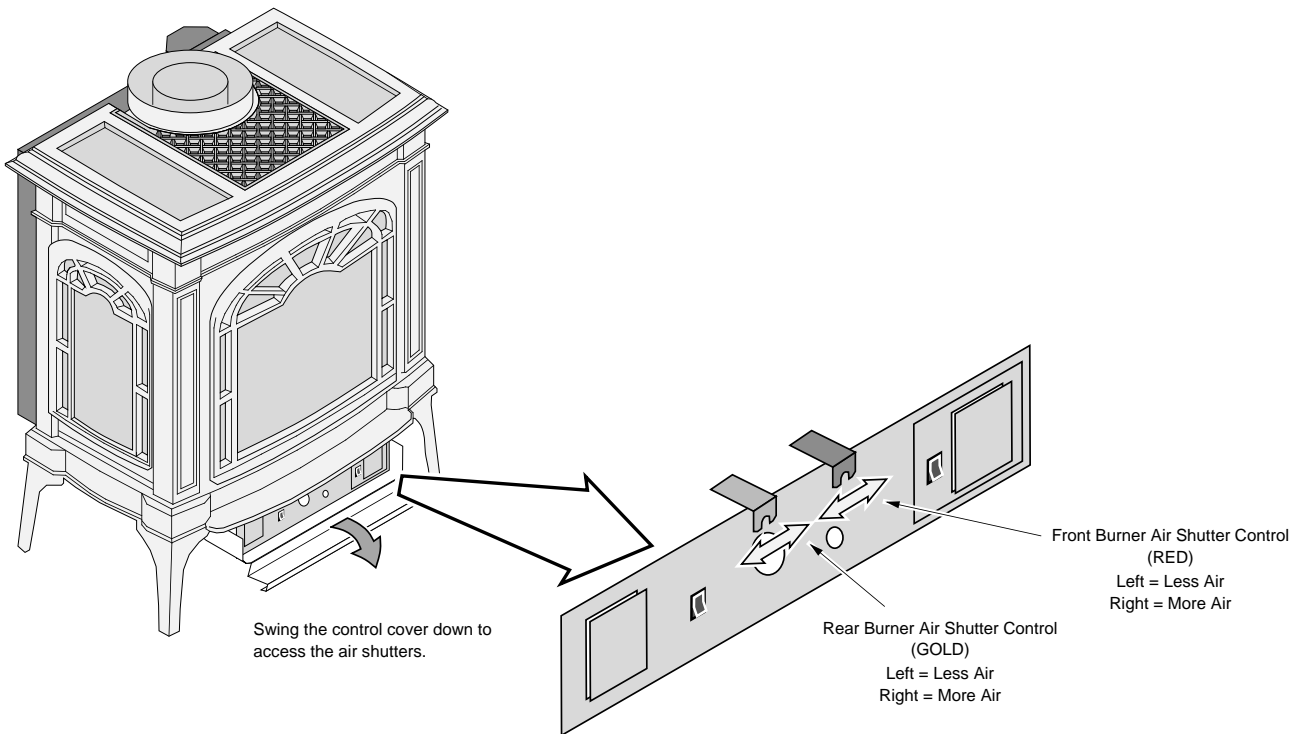
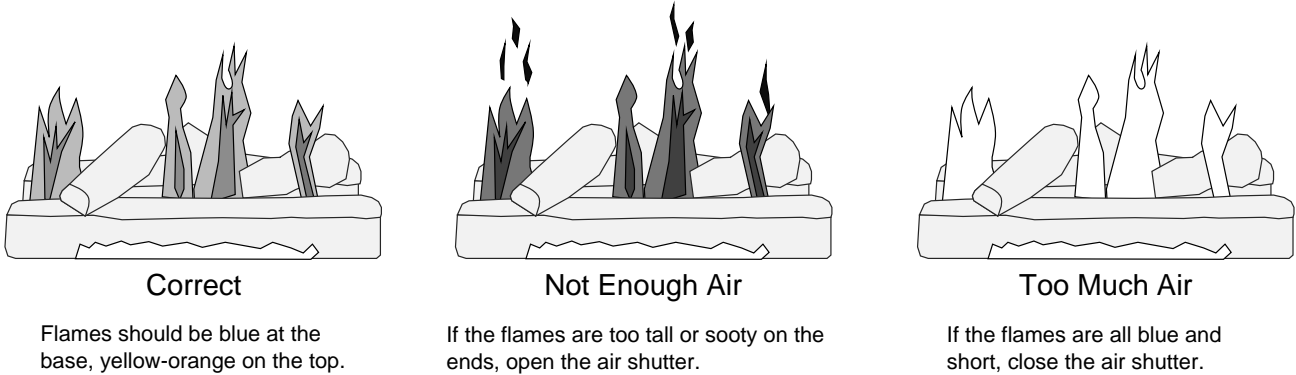
4. Install the four AA batteries (included in the owner's pack) into battery holder (see the illustration below). The AA batteries act as a power backup in case the household (AC) power goes out. Install the 9v battery (included in the owner's pack) into control panel light assembly (see the illustration below). Velcro is used to secure the 9v battery.



5. Install the logs (see page 31).
6. Replace the glass.
7. Start the heater.
8. Leak test all gas joints.
9. Check the air shutter following the directions below.

Air Shutter Adjustment

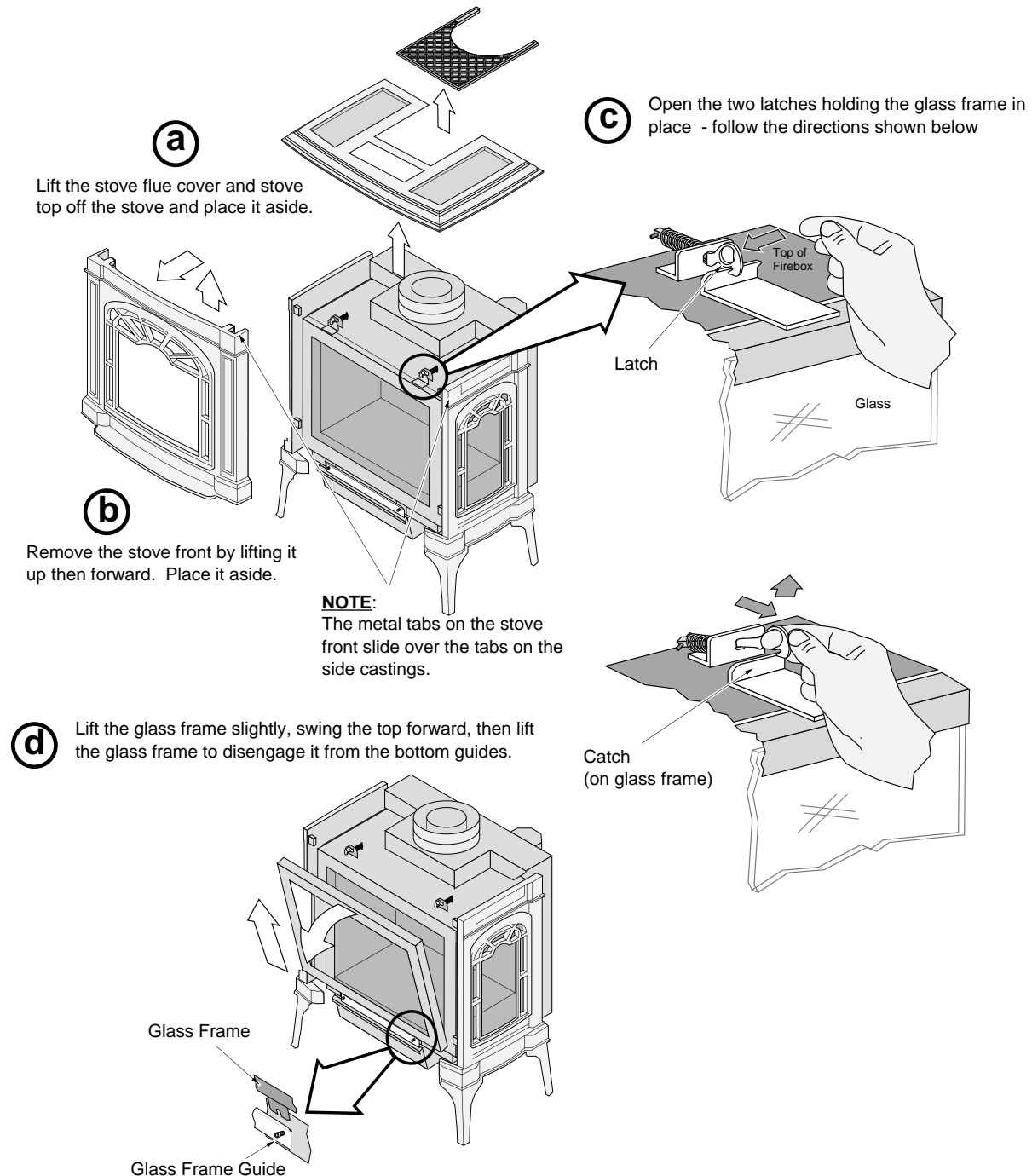
Let the heater burn for fifteen minutes (make sure the logs and glass are in place). The flames should be yellow with no sooting. Adjust the air shutter, if necessary, to achieve the correct looking flame.



10. Turn the flame adjust knob to its highest position - the flames should not contact the top of the firebox. Check the flame on low position. The flames should burn off of each burner hole. If the heater does not work correctly, contact your Travis dealer for a remedy.
11. Give this manual to the home owner for future reference and fully explain operation of this heater.

Face and Glass Removal

! Make sure the gas control valve is "OFF" and the heater is cool prior to conducting service.



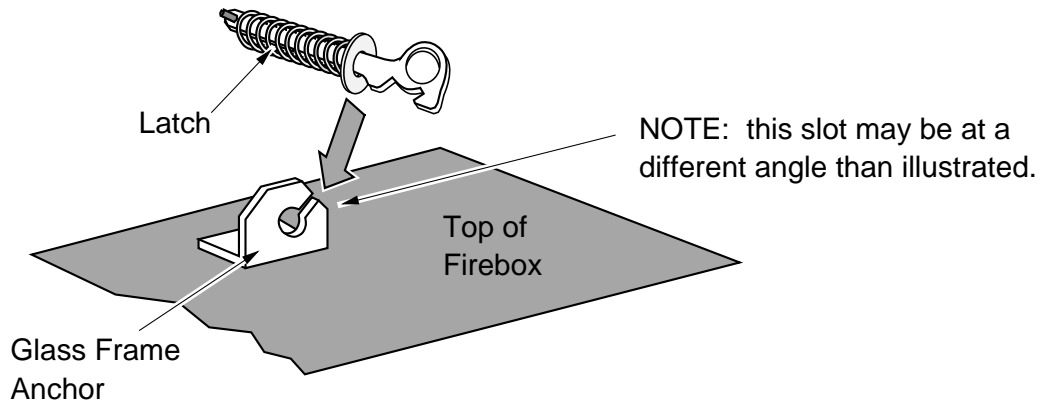
Re-Attaching the Glass Frame:

- Slide the two brackets on the bottom of the glass frame into the glass frame guides (hold the glass frame at a slight angle).
- Swing the glass frame into place - you may have to lift it slightly to allow it to fit over the top of the firebox.
- Attach the upper latches (follow the instructions above in reverse).
- Replace the stove front and top.

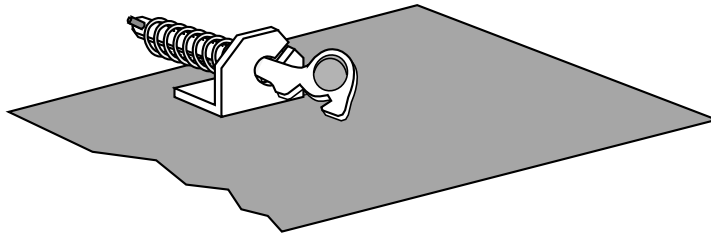
Glass Frame Removal and Installation (continued)

The latch can come loose from glass frame anchor. This occurs when it is turned 1/4 turn when it is disengaged. Follow the directions below to re-install the latch if it becomes loose.

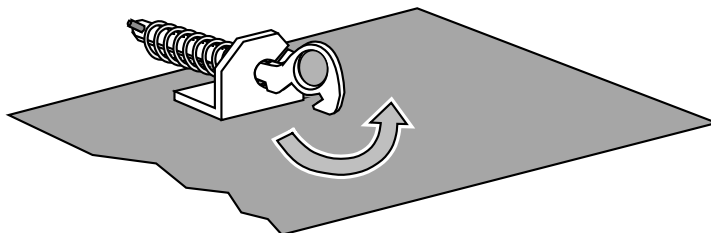
Hold the latch at an angle and insert it into the slot on the glass frame anchor.



Note how the washer on the latch fits behind the flange on the glass frame anchor.



Once fully inserted, turn the latch until it is upright.

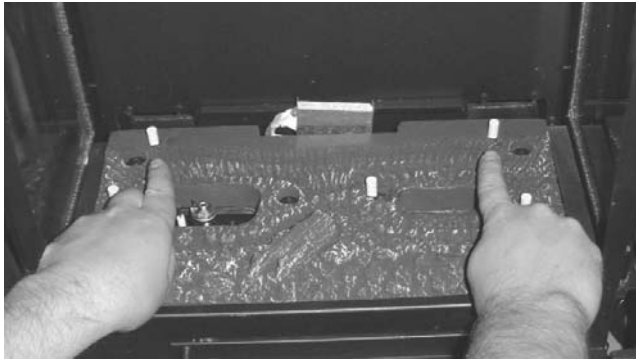
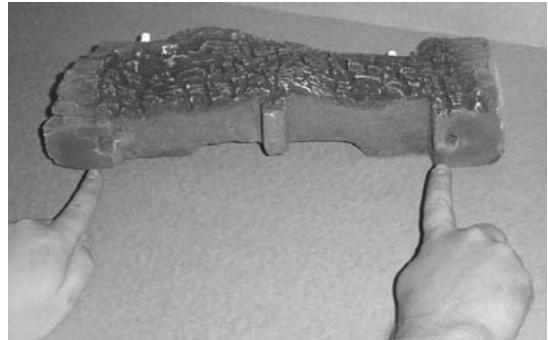
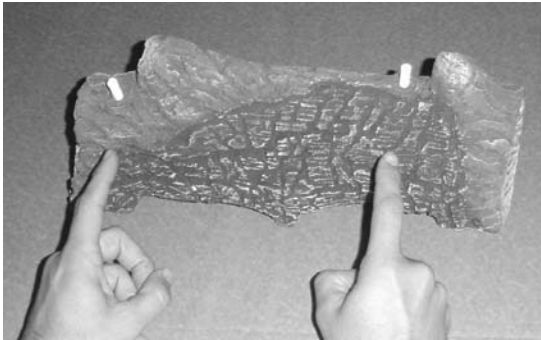


Log Installation

- ! **The logs are fragile, especially after being exposed to heat.**
- Make sure the gas control valve is "OFF" and the heater is cool prior to conducting service.
- Failure to position the parts in accordance with these diagrams or failure to use only parts specifically approved with this appliance may result in property damage or personal injury.
- If using propane (LP), convert the appliance before installing the logs (see page 45).
- The burner must be correctly positioned before installing the logs. Make sure the burner is fully seated and the pilot is properly aligned. See page 45 for details on burner removal.

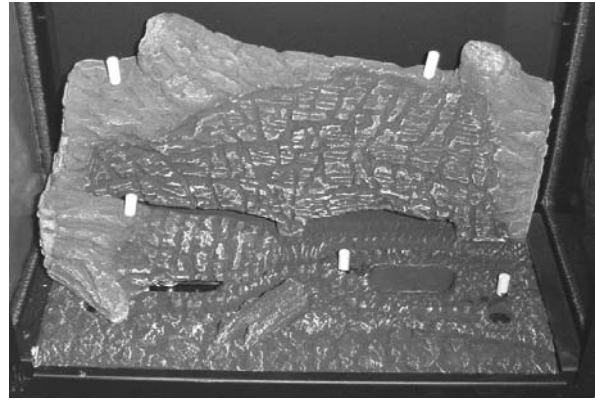
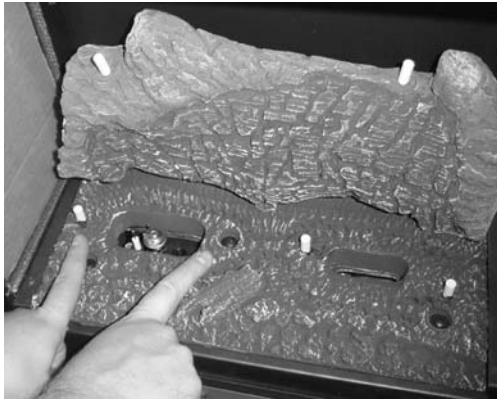
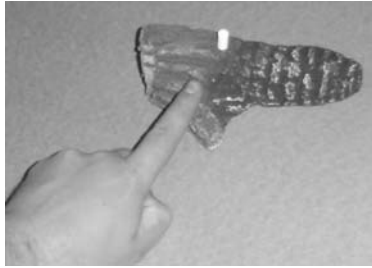
Rear Log Placement

The rear log has two holes on the bottom. Place the log so the pins on the burner insert into the holes on the log (see photos below).



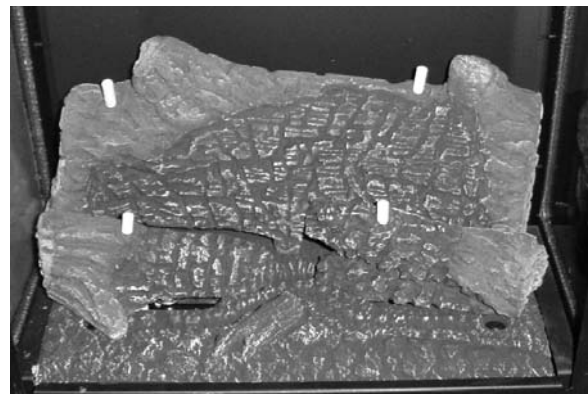
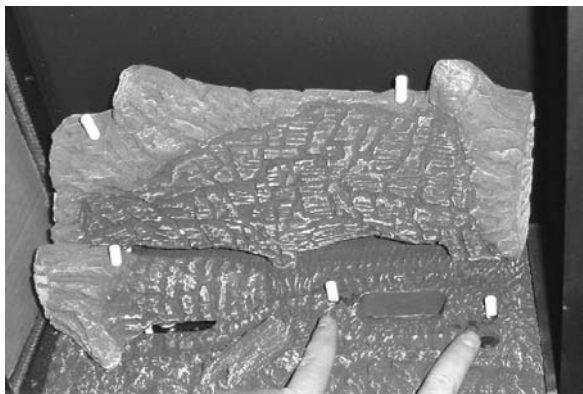
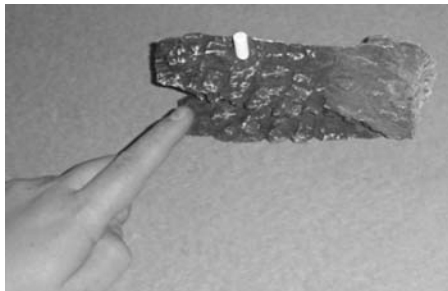
Left Log Placement

The left log has one hole and one elevated pad on the bottom. Place the log so the pin on the burner inserts into the holes on the log and the pad inserts over the screw on the burner (see photos below).



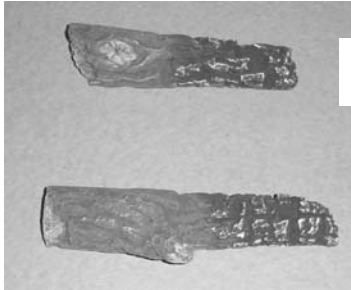
Right Log Placement

The right log has two holes on the bottom. Place the log so the two pins on the burner insert into the holes on the log (see photos below).



Left Twig Placement

The left twig is the shorter twig(see photo below). The bottom of the twig has two holes. Place the twig so the pins on the rear and left log insert into the holes on the twig.



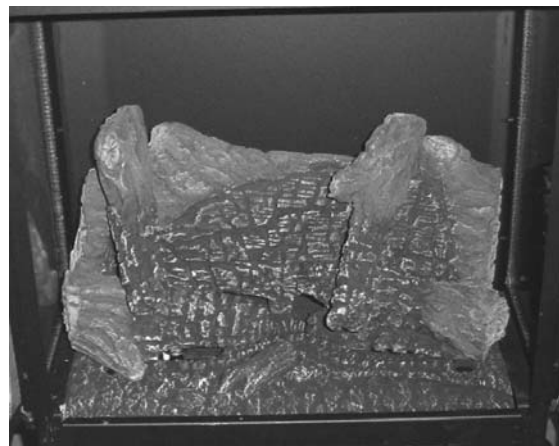
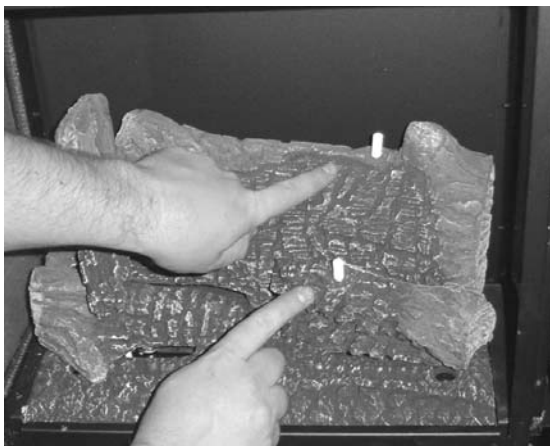
Left Twig

Right Twig



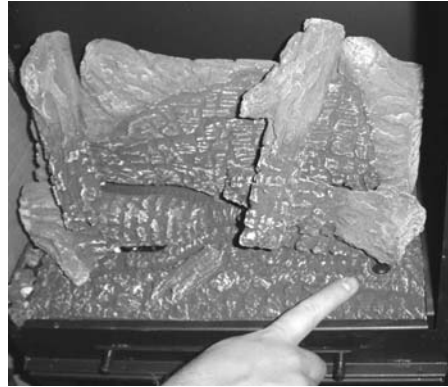
Right Twig Placement

The right twig has two holes in the bottom that fit over the pin on the back and right log (see photos below). The lower side of the twig rests on the right log. Place the twig as shown below.



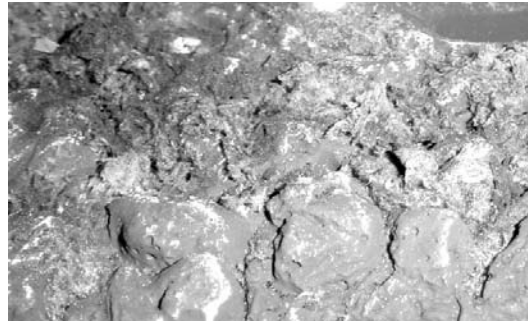
Ember Placement

Place a layer of embers along the edges of the burner to achieve an aesthetic appearance. Also place an ember over the screw on the right side of the burner (see photos below).



Rockwool Installation

The included rock wool is placed on top of the burner to enhance the glow from the burner. **The rock wool works best when it is applied in a very thin, porous layer.** The best method for applying the rock wool is to brush it on to the burner. Compress a clump of rockwool between your thumb and forefinger. Use a stiff brush to apply a thin layer of rockwool fibers onto the burner. Do not use the entire bag of rockwool. Use only a small amount and save the remainder. Over-use of rockwool will diminish the glow and may cause sooting or other adverse conditions.

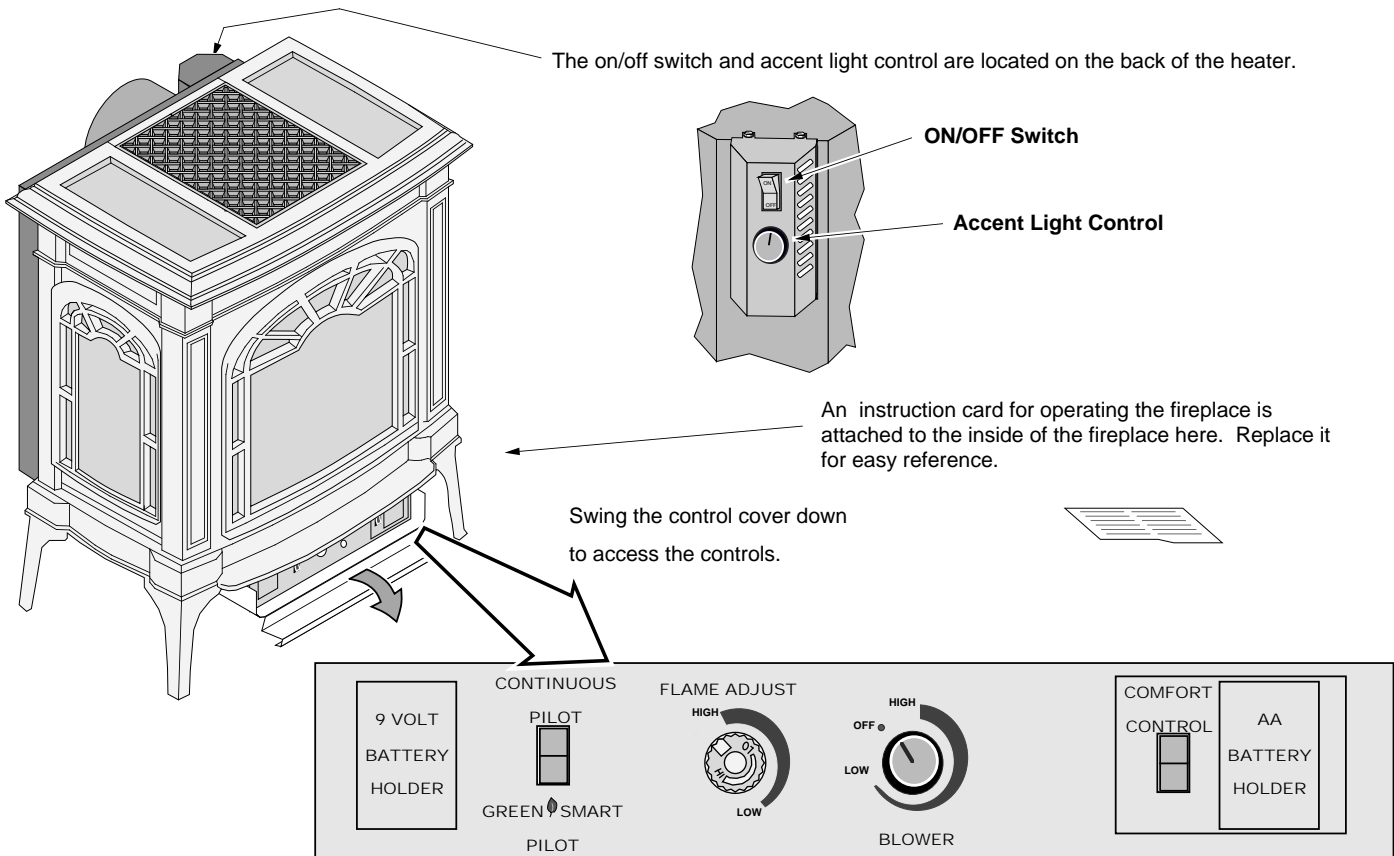


Before You Begin

Warning: Read this entire manual before you use your new stove (especially the section "Safety Precautions" on pages 4 & 5). Failure to follow the instructions may result in property damage, bodily injury, or even death.

Warning: Do not operate appliance with the glass front removed, cracked or broken. Replacement of the glass should be done by a licensed or qualified service person.

Location of Controls - See explanation below



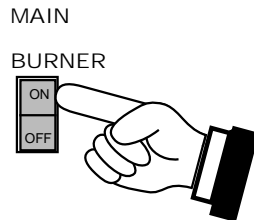
| | |
|---|--|
| ON/OFF Switch | This switch turns the stove burners on and off. |
| Accent Light | This knob controls the accent lights located behind the logs. |
| 9 Volt Battery Holder | This holder contains a 9-volt battery used to light the controls |
| Continuous Pilot -- GreenSmart Pilot | This switch controls how the pilot flame works. See the section "Continuous Pilot / GreenSmart Pilot" for details. |
| Flame Adjust Knob | This knob controls the flame height from low to high. |
| Optional Blower Control | This knob controls the speed of the optional internal convection blower that pushes heated air into the room. |
| Comfort Control | This switch turns the rear burner on and off. |
| AA Battery Holder | This holder contains 4 AA batteries that allow the stove to operate during power outages. |

Starting the Stove for the First Time

- Burn the heater at a high setting with the blower off for an extended period (up to 48 hours). This will cure the painted surfaces. **Fumes** from the paint curing and oil burning off the steel will occur. This is normal. We recommend opening a window to vent the room.
- **Condensation** may appear on the glass each time you start the stove - this is normal.
- **Blue Flames** will occur on the stove when it first comes on. After fifteen minutes the flames will turn a more realistic yellow and orange color.
- Certain installations use a remote, thermostat, or wall switch to turn the stove on and off. If this is the case, leave the ON/OFF switch "ON".
- Verify the power backup and control light batteries are installed (see page 39).

Turning the Stove On and Off

Use the main burner switch to turn the main burner on and off.



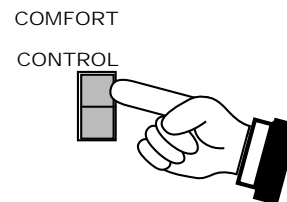
NOTE FOR REMOTES, THERMOSTATS, OR WALL SWITCHES:

The on/off switch on the stove may be required to be left in the ON or OFF position for the stove to operate. Consult your installer or dealer for details.

- Do not place any combustible items on top of or directly in front of the stove, even temporarily. An optional thermostat may start the stove causing a combustible item to ignite.
- If the stove turns on and off frequently while using a standard thermostat, you may want to adjust the flame height down until it produces just enough heat needed.

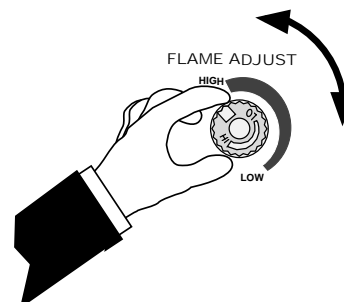
Comfort Control

The rear portion of the burner may be shut off to lower the heat output and flame size from the burner (this is called the comfort control). Use the comfort control switch to adjust this as desired.



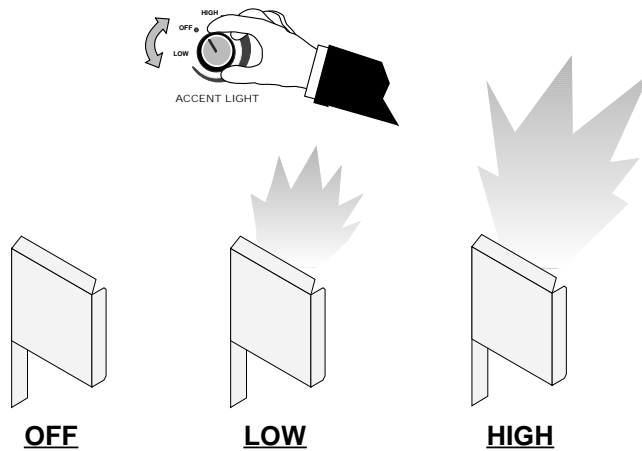
Adjusting the Flame Height

This stove has an adjustable flame to tailor the look and heat output to your specific needs. It is adjusted by turning the flame adjust knob.



Accent Light

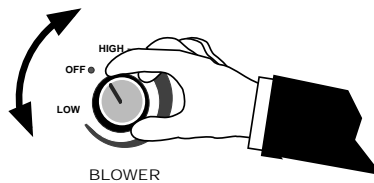
This stove has a built-in accent light that may be turned on and off and dimmed to your preference. Turn the knob to achieve the desired light output.



Adjusting the Optional Blower Speed

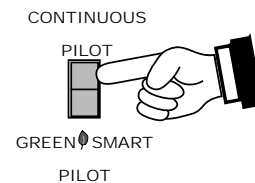
The blower helps transfer heat from the heater into the room. It will not turn on until the heater is up to temperature (approximately 15 minutes after starting). See the illustration below for instructions on adjusting the blower speed.

NOTE: With the rear burner off (comfort control), the heater may not become hot enough for the blower to turn on.



Continuous Pilot / GreenSmart™ Pilot Switch

This stove may run with the pilot continuously running or in GreenSmart (intermittent) mode. For most homeowners, the GreenSmart mode is preferred (this saves fuel, doesn't give off un-needed heat). However, in some situations the homeowner may prefer to switch the stove to continuous pilot. The most typical reasons for switching to continuous pilot are:



- Very Cold Conditions – in very cold conditions you may notice that the burner does not light quickly, and the flames lift off the burner. If this is the situation, we recommend you switch to continuous pilot. This will create a slight draft in the vent, allowing the burner to light quickly and draft correctly.
- Excessive Condensation on Glass After Startup – certain installations may encounter excessive fogging on the window after startup (not just the first time the stove was started). This is an aesthetic condition that may be remedied by switching the stove to continuous pilot.
- Cold Glass or Stove Front – in very cold conditions you may notice that the stove front and glass become very cold. To remedy this, switch the stove to continuous pilot.
- Frequent On / Off Operation – if you are frequently turning the stove on and off, you may wish to leave it in continuous pilot. This allows the burner to turn on more quickly, without pilot ignition delay.

Normal Operating Sounds

Extinction Pops

It is not unusual, especially on Propane (LP) appliances, to experience a "pop" when the burner is shut off.

Pilot Assembly

The pilot flame will make a clicking sound when starting up. If left on, it will make a slight whisper sound.

Gas Control Valve

As the gas control valve is turned on and off you will hear a dull clicking sound. This is the valve opening up and shutting down.

GreenSmart Receiver

The optional GreenSmart receiver will beep when receiving commands from the GreenSmart remote.

AC Adapter

This device makes a light hum that is audible in close proximity.

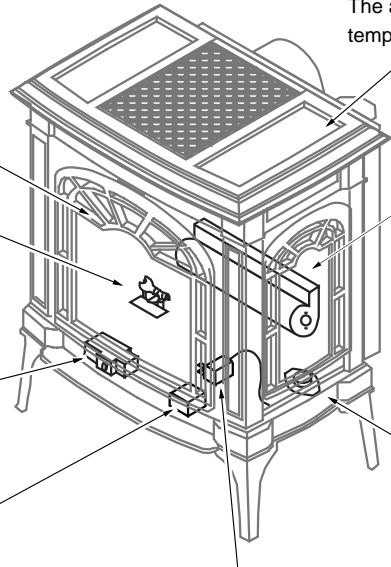
The appliance may creak with change of temperature -- THIS IS NORMAL.

Blower

This heater has an optional blower to push heated air into the room. You will hear the sound of air movement that increases as the speed is increased.

Blower Snap Disk

This part can produce a clicking sound as it turns the blower on and off.



Normal Operating Odors

This appliance has several areas that reach high temperatures. Dust or other particles on these areas may burn and create a burnt-paper smell. This is normal during startup. You may notice the smell is more acute if the appliance was left idle for a long period.



Maintaining Your Stove's Appearance

Painted Surfaces

- Painted surfaces should be cleaned with a duster. If scratches occur, lightly sand the area with fine sandpaper. Clean the area and, with the stove cool, apply one or two thin coats of stove paint to the area (mask the area to avoid overspray). Allow the stove to dry, then turn the stove on to cure the paint (1 hour on medium).

Enamel Surfaces

- Use only soft cloth and water to clean enamel surfaces. To fix chips in the enamel, follow the directions below:
 - 1) Let the stove cool. Clean the area thoroughly.
 - 2) Shake the Travis Enamel Touch-Up thoroughly. Apply to the damaged area.

Patina Surfaces

- The patina finish is a "living" color and will age and antique over time. Some portions of the finish may become slightly dull in appearance, especially over the top where it becomes hot. This is normal. The only cleaning we recommend is a light dusting when the appliance is cool. **DO NOT USE ANY LIQUID, CLEANER, OR ABRASIVES ON THIS FINISH.**

Glass

- Clean the glass with soap and water (do not use abrasive cleaners). Glass removal instructions are on page 29.

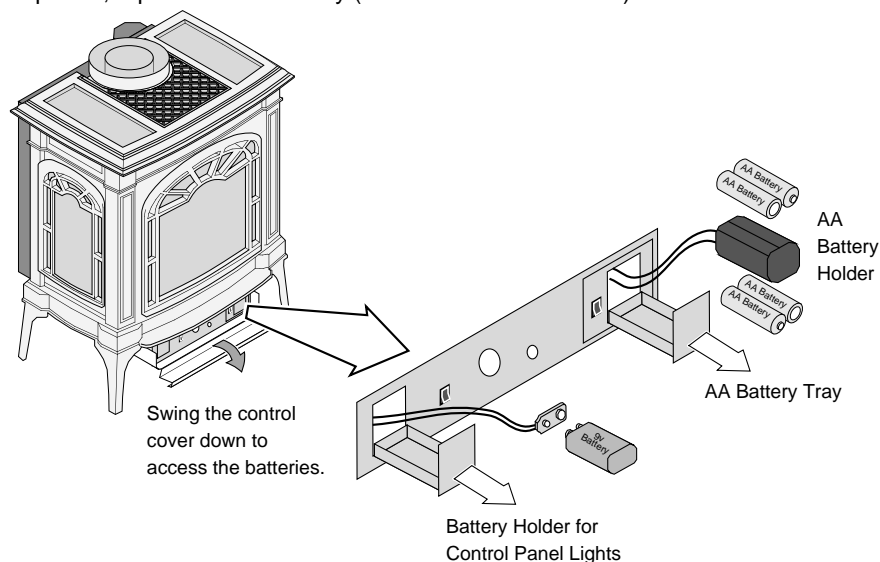
Battery Replacement

Power Backup Batteries

Four AA batteries are used as a power backup for the stove in case the household (AC) power goes out. They also power the comfort control feature. These batteries must be inserted into battery holder (make sure they contact the terminals - see the illustration below). The fireplace controller will beep once these batteries start to go dead. Replace batteries before each heating season to insure proper operation.

Control Panel Light Battery

LED lights and a 9v battery are used to illuminate the control panel when the concealment cover is opened. If the LED lights do not operate, replace the 9v battery (see the illustration below). Velcro is used to secure the 9v battery.

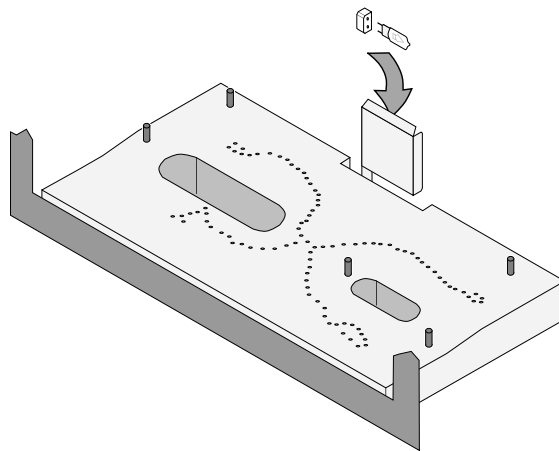


Accent Light Replacement

An accent light is included in your stove to provide additional lighting. This bulb will burn out over time. To replace, follow the directions below:

- Shut off gas to the stove and let it cool for 15 minutes.
- Remove the glass (see page 29) and logs (see page 31).
- Replace the halogen bulb with the following bulb:
(NOTE: .Take care to not touch the bulb with your fingers – use foam packing or paper towel to hold the bulb):

35 Watt 120 Volt T4 Halogen Bulb (G6.35 Base)



Yearly Service Procedure

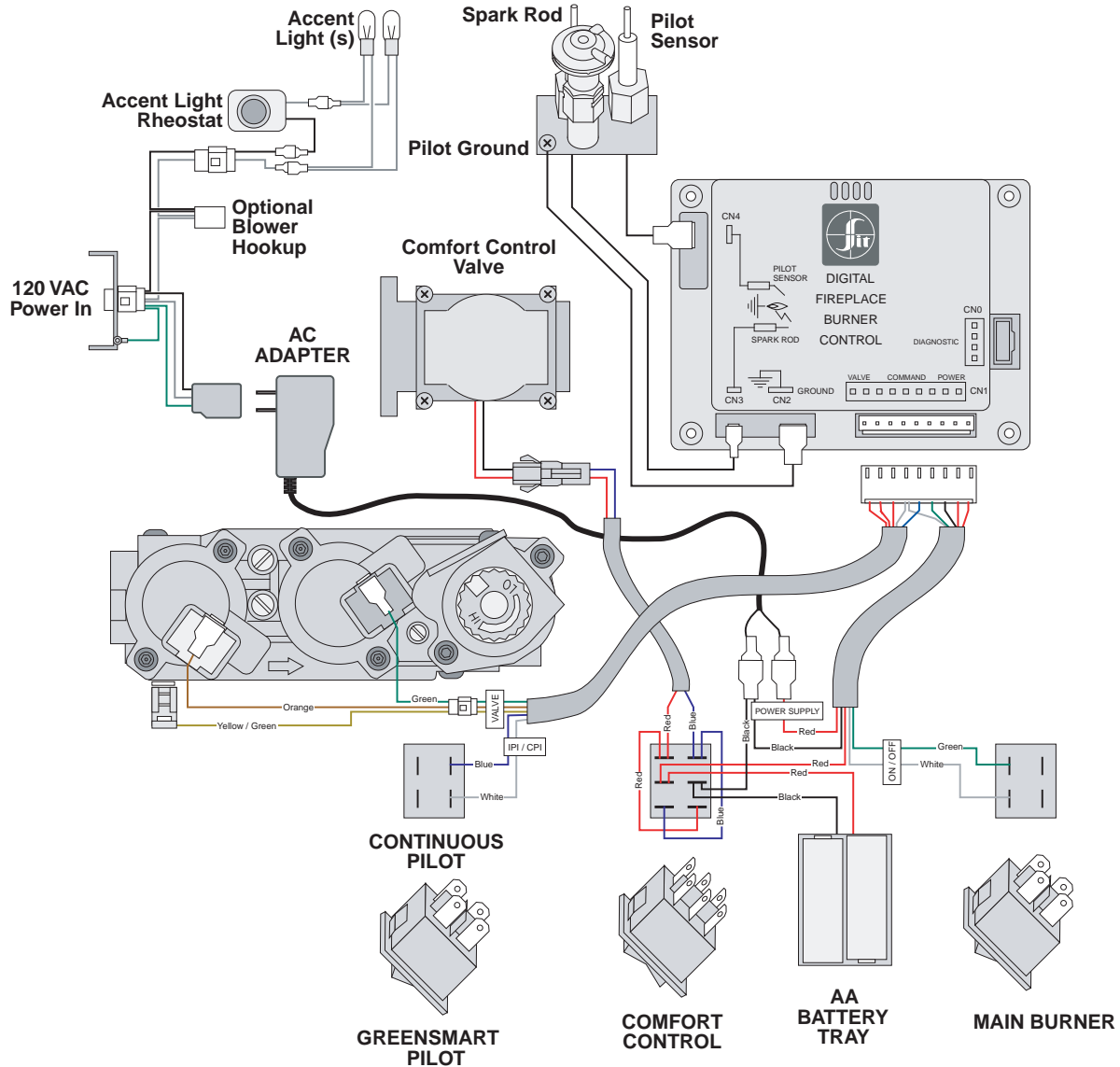
- Failure to inspect and maintain the stove may lead to improper combustion and a potentially dangerous situation. We recommend the following procedures be done by a qualified technician.
1. Turn the pilot flame to continuous. It should touch approximately 3/8" of the top of the flame sensor. If it does not, contact your dealer for service.
 2. Shut off gas to the stove and let it cool for 15 minutes. Remove the glass (see page 29).
 3. Remove the log set (**NOTE: the logs are very fragile - see page 31**). If severely deteriorated, replace. Check the logs for sooting. A small amount of soot along the bottom of the logs is normal. If excessive sooting is found, the stove will require adjustment. Contact your dealer.
 4. Inspect the burner and remove any debris.
 - Make sure the burner is not warped, cracked, or damaged.
 - Check the firebox and area around the pilot to make sure there is no warping or damage.
 - If any problem is found, discontinue use and contact your dealer for service.
 5. Replace the log set. Clean and replace the glass. If the glass is damaged, replace. Make sure the gasket along the perimeter of the glass contacts the face of the firebox and forms an air-tight seal. If it does not, re-align or replace the gasket to insure an air-tight seal.
 6. Inspect the area behind the access door. Clean if necessary. Check the gas control valve and the gas lines. If damage is found, discontinue use and contact your dealer for service. Clean the air channels, ducts, and blower (if applicable).
 7. Start the main burner. After 15 minutes the flames should be orange/yellow and not touch the top of the firebox. If the pilot or main burners do not burn correctly, contact your dealer for service. Monitor blower operation.
 8. Remove any debris or vegetation near the vent termination. Contact your dealer if any sooting or deterioration is found near the vent termination.

Troubleshooting Table

| Problem: | Possible Cause: | Don't Call for Service Until You: |
|--|--|---|
| Main Burners Will Not Start | The ON/OFF switch is turned to "OFF" The remote control is not working correctly The thermostat is disconnected or set too low..... No Propane in Tank..... | Turn the ON/OFF switch to "ON" See the remote control instructions See "Thermostat Operation" Check Tank Level |
| Receiver Beeps | The power backup batteries are dead..... | Replace the batteries (see page 39) |
| Thermostat Does Not Work | The ON/OFF switch is turned to "OFF" The thermostat is set too low..... | Turn the ON/OFF switch to "ON" Check thermostat |
| Stove Will Not Distribute Heat | The stove is not getting electricity..... The stove is not up to temperature..... | Check the breaker switch Let the stove burn for at least 15 minutes |
| Flames Are Too Blue | The stove has just been started..... Improper air shutter adjustment..... | This is normal - see "Starting the Stove for the First Time" Adjust Air Shutter - contact your dealer |
| Flames Are Too Short (Under 6") | The flame height may be turned too low..... | Turn the flame height to "HI" - See "Adjusting the Flame Height" |
| Comfort Control Does not Work | The AA batteries may be dead..... | Replace the AA batteries (see page 39) |
| Thin Layer of Soot Covers the Glass | The logs or coals are placed incorrectly..... Improper air shutter adjustment..... | See "Log Set Installation" Adjust Air Shutter - contact your dealer |

Wiring Diagram

Caution: Label all wires prior to disconnection when servicing controls. Wiring errors can cause improper and dangerous operation.



Replacement Parts List

Caution: Use only Travis Industries replacement parts. Do not use substitute materials.

Warning: Do not operate appliance with the glass front removed, cracked, or broken. Replacement of the glass should be done by a licensed or qualified service person.

Contact your local Travis Industries Dealer for a Replacement Parts List

Safety Label

The safety (listing) label is on the back of the stove. A copy is shown below.



Northfield
Vented Gas
Fireplace Heater



Tested to: ANSI Z21.88-2009/CSA 2.33-2009 "Vented Gas Fireplace Heater", CGA 2.17-M91, UL 307b-1995 "Gas Burning Heating Appliances for Manufactured Homes", and CSA P.4.1-09 Tested method for measuring annual fireplace efficiency.

This appliance must be installed in accordance with local codes, if any; if none, follow the National Fuel Gas Code, ANSI Z223.1/NFPA 54, or Natural Gas and Propane Installation Codes, CSA B149.1.

This appliance must be installed in accordance with the current Standard CAN/CSA Z240 MH, Mobile Housing, in Canada or with the Manufactured Home Constructions and Safety Standard, Title 24 CFR, Part 3280, in the United States, or when such a standard is not applicable, ANSI/NCSBCS A225.1/NFPA 501A, Manufactured Home Installation Standard.

This vented gas fireplace heater is equipped at the factory for use with natural gas. If conversion to propane (LP) is desired, the optional factory conversion kit must be used.

This appliance is only for use with the type of gas indicated on the rating plate and may be installed in an aftermarket, permanently located, manufactured (mobile) home (USA only) where not prohibited by local codes. See owner's manual for details. This appliance is not convertible for use with other gases, unless a certified kit is used.

This vented gas fireplace heater is not for use with air filters.

Keep burner and control compartment clean. See installation and operating instructions accompanying appliance.

This appliance must be properly connected to a venting system in accordance with the manufacturer's installation instructions. Use only approved coaxial direct vent system to vent this appliance to the exterior. See owner's manual for approved brands of venting.

WARNING: Improper installation, adjustment, alteration, service or maintenance can cause injury or property damage. Refer to the owner's information manual provided with this appliance. For assistance or additional information consult a qualified installer, service agency or the gas supplier.

VENTED GAS FIREPLACE HEATER - NOT FOR USE WITH SOLID FUEL

CAUTION: Hot while in operation. Do not touch. Severe burns may result. Keep children, clothing, furniture, gasoline and other liquids having flammable vapors away. Do not operate this appliance with glass removed, cracked or broken. Replacement of the panel(s) should be done by a licensed or qualified service person.

Minimum Clearances to Combustibles

| | | | |
|------------------------------|---------------|---|------------------|
| Stove Top to Sidewall..... | 3-1/2" (89mm) | Alcove Min. Height (Floor to Ceiling) | 38-1/8" (968 mm) |
| Stove Top to Backwall..... | 5" (127 mm) | Alcove Max. Depth..... | 24" (610 mm) |
| Stove Top to Cornerwall..... | 1" (25mm) | Alcove Min. Width | 28-1/4" (718 mm) |

| | <u>L.P.</u> | <u>N.G.</u> | | <u>L.P.</u> | <u>N.G.</u> |
|------------------------------------|-------------|-------------|---|-------------|-------------|
| Input Rate on "HI" (BTU/Hr)*..... | 22,000 | 22,000 | Minimum Inlet Pressure (inches W.C.) | 11" | 5.5" |
| Input Rate on "LO" (BTU/Hr)* | 6,300 | 6,700 | Maximum Inlet Pressure (inches W.C.)..... | 13" | 7" |
| Burner Orifice Size - Front | #64 | #54 | Manifold Pressure on "HI" (inches W.C.) | 11" | 3.5" |
| Burner Orifice Size - Rear | #58 | #52 | | | |

This appliance is equipped for use only at altitudes 0-2,000 feet (0-610m) in the USA. In Canada, 0-4500 feet (0-1370m).

For altitudes above 2,000 feet, the vent configuration, orifice, or combination of both may need to be changed.

See the owner's manual for information on making these changes.

Electrical Rating: 115v, 1.5 Amps, 60 Hz Optional Blower: #99000142

| | | | | | |
|-------------|-------------------------------|-------------------------------|-------------------------------|-------------------------------|-------------------------------|
| Manufacture | <input type="checkbox"/> 2009 | <input type="checkbox"/> Jan. | <input type="checkbox"/> Apr. | <input type="checkbox"/> Jul. | <input type="checkbox"/> Oct. |
| Date: | <input type="checkbox"/> 2010 | <input type="checkbox"/> Feb. | <input type="checkbox"/> May | <input type="checkbox"/> Aug. | <input type="checkbox"/> Nov. |
| IGN 0847 | <input type="checkbox"/> 2011 | <input type="checkbox"/> Mar. | <input type="checkbox"/> Jun. | <input type="checkbox"/> Sep. | <input type="checkbox"/> Dec. |

Manufactured by:



TRAVIS INDUSTRIES
HOUSE OF FIRE
4800 Harbour Pointe Blvd. SW
Mukilteo, WA 98275
www.travisproducts.com

Limited 7 Year Warranty

Register your TRAVIS INDUSTRIES, INC. Limited 7 Year Warranty online at traviswarranty.com, or complete the enclosed Warranty card and mail it within **ten (10)** days of the appliance purchase date to: TRAVIS INDUSTRIES, INC., 4800 Harbour Pointe Blvd. SW, Mukilteo, WA 98275. TRAVIS INDUSTRIES, INC. warrants this gas appliance (appliance is defined as the equipment manufactured by Travis Industries, Inc.) to be defect-free in material and workmanship to the original purchaser from the date of purchase as follows:

Check with your dealer in advance for any costs to you when arranging a warranty call.
Mileage or service charges are not covered by this warranty. This charge can vary from store to store.

| <u>Component</u> | Years 1 & 2 Parts & Labor | Years 3 Through 5 Parts & Labor | Years 6 & 7 Parts Only |
|--|--|--|---------------------------------------|
| <u>Burner Assembly</u> Burner Pan Assembly, Air Shutter Assembly, Main Burner Orifice | ✓ | | |
| <u>Electrical Assembly (within heater structure):</u> Wiring harness, snap discs, rheostat speed control | ✓ | | |
| <u>Gas Control Assembly</u> Adjustable control valve, fireplace controller, pilot assembly and pilot wiring | ✓ | | |
| <u>Glass</u> Glass (breakage from thermal shock) | ✓ | | |
| <u>Ceramic Logs</u> Log Set, Embers | ✓ | | |
| <u>Gold, Nickel & Copper Plating</u> Face & Door (see "Conditions and Exclusions" # 9) | ✓ | | |
| <u>Enamel Finish</u> Warranted against peeling or fading, excluding chipping, mechanical abrasion, or crazing. | ✓ | | |
| <u>Accessories</u> Firebacks, Power Heat Ducts, Andirons, etc... | ✓ | | |
| <u>One-Way Freight Allowance</u> One-way freight allowance on pre-authorized repair done at factory is covered. | ✓ | ✓ | |
| <u>Convection Heat Exchanger</u> Convection heat exchanger assembly | ✓ | ✓ | |
| <u>Firebox Assembly</u> Adjustable Air Restrictor, Pressure Relief Mechanisms, Glass Attachment Mechanism | ✓ | ✓ | ✓ |

EXCLUDED COMPONENTS:

Paint, Gasketing, and Accent Light Bulbs

CONDITIONS & EXCLUSIONS

- This new gas appliance must be installed by a qualified gas appliance technician. It must be installed, operated, and maintained at all times in accordance with the instructions in the Owner's Manual. Any alteration, willful abuse, accident, neglect, or misuse of the product shall nullify this warranty.
- This warranty is nontransferable, and is made to the ORIGINAL purchaser, provided that the purchase was made through an authorized TRAVIS dealer.
- Discoloration and some minor expansion, contraction, or movement of certain parts and resulting noise, is normal and not a defect and, therefore, not covered under warranty. The installer must ensure the appliance is burning as per the rating tag at the time of installation. Over-firing (operation above the listed BTU rate) of this appliance can cause serious damage and will nullify this warranty.
- The warranty, as outlined within this document, does not apply to the chimney components or other Non-Travis accessories used in conjunction with the installation of this product. If in doubt as to the extent of this warranty, contact your authorized TRAVIS retailer before installation.
- Travis Industries will not be responsible for inadequate performance caused by environmental conditions such as nearby trees, buildings, roof tops, wind, hills or mountains or negative pressure or other influences from mechanical systems such as furnaces, fans, clothes dryers, etc.
- This Warranty is void if:
 - The unit has been operated in atmospheres contaminated by chlorine, fluorine or other damaging chemicals.
 - The unit is subject to submersion in water or prolonged periods of dampness or condensation.
 - Any damage to the unit, combustion chamber, heat exchanger or other components due to water, or weather damage which is the result of, but not limited to, improper chimney/venting installation.
- Exclusions to this 7 Year Warranty include: injury, loss of use, damage, failure to function due to accident, negligence, misuse, improper installation, alteration or adjustment of the manufacturer's settings of components, lack of proper and regular maintenance, damage incurred while the appliance is in transit, alteration, or act of God.
- This 7 Year warranty excludes damage caused by normal wear and tear, such as paint discoloration or chipping, worn or torn gasketing, corroded or cracked logs, embers, etc. Also excluded is damage to the unit caused by abuse, improper installation, modification of the unit, drilling of the orifices, or the use of fuel other than that for which the unit is configured. Units are shipped for natural gas and must be converted to propane using the included conversion kit. Confirm fuel configuration with your installer.
- Damage to gold or nickel surfaces caused by fingerprints, scratches, melted items-, or other external sources left on the gold or nickel from the use of cleaners other than denatured alcohol is not covered in this warranty.
- TRAVIS INDUSTRIES, INC. is free of liability for any damages caused by the appliance, as well as inconvenience expenses and materials. Incidental or consequential damages are not covered by this warranty. In some states, the exclusion of incidental or consequential damage may not apply.
- This warranty does not cover any loss or damage incurred by the use or removal of any component or apparatus to or from the gas appliance without the express written permission of TRAVIS INDUSTRIES, INC. and bearing a TRAVIS INDUSTRIES, INC. label of approval.
- Any statement or representation of TRAVIS products and their performance contained in TRAVIS advertising, packaging literature, or printed material is not part of this 7 year warranty.
- This warranty is automatically voided if the appliance's serial number has been removed or altered in any way. If the appliance is used for commercial purposes, it is excluded from this warranty.
- No dealer, distributor, or similar person has the authority to represent or warrant TRAVIS products beyond the terms contained within this warranty. TRAVIS INDUSTRIES, INC. assumes no liability for such warranties or representations.
- Travis Industries will not cover the cost of the removal or re-installation of hearths, facing, mantels, venting or other components.
- If for any reason any section of this warranty is declared invalid, the balance of the warranty remains in effect and all other clauses shall remain in effect.
- THIS 7 YEAR WARRANTY IS THE ONLY WARRANTY SUPPLIED BY TRAVIS INDUSTRIES, INC., THE MANUFACTURER OF THE APPLIANCE. ALL OTHER WARRANTIES, WHETHER EXPRESS OR IMPLIED, ARE HEREBY EXPRESSLY DISCLAIMED AND PURCHASER'S RECOURSE IS EXPRESSLY LIMITED TO THE WARRANTIES SET FORTH HEREIN.**

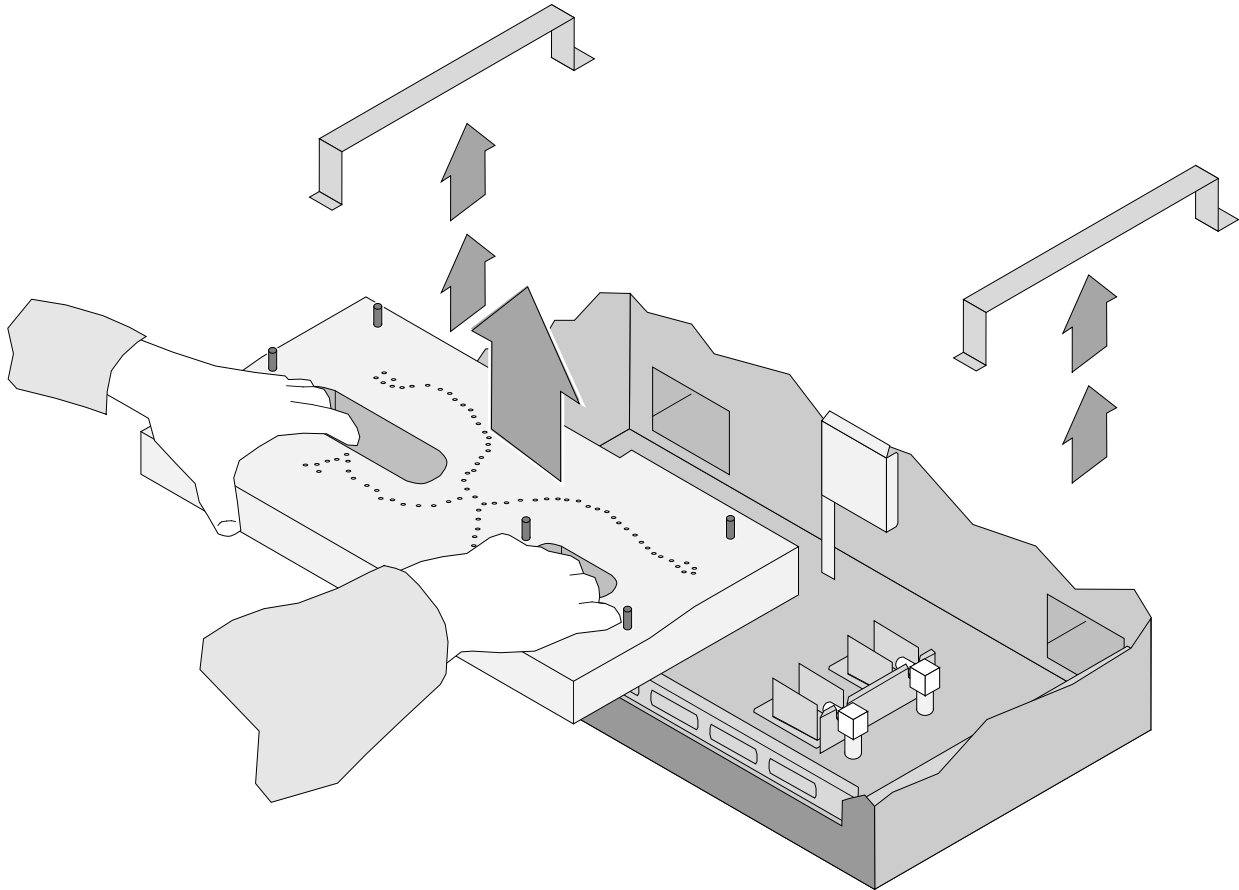
IF WARRANTY SERVICE IS NEEDED:

- If you discover a problem that you believe is covered by this warranty, you MUST REPORT it to your TRAVIS dealer WITHIN 30 DAYS, giving them proof of purchase, the purchase date, and the model name and serial number.
- Travis Industries has the option of either repairing or replacing the defective component.
- If your dealer is unable to repair your appliance's defect, he may process a warranty claim through TRAVIS INDUSTRIES, INC., including the name of the dealership where you purchased the appliance, a copy of your receipt showing the date of the appliance's purchase, and the serial number on your appliance. At that time, you may be asked to ship your appliance, freight charges prepaid, to TRAVIS INDUSTRIES, INC. TRAVIS INDUSTRIES, INC., at its option, will repair or replace, free of charge, your TRAVIS appliance if it is found to be defective in material or workmanship within the time frame stated within this 7 year warranty. TRAVIS INDUSTRIES, INC. will return your appliance, freight charges (years 1 to 5) prepaid by TRAVIS INDUSTRIES, INC., to your regional distributor, or dealership.
- Check with your dealer in advance for any costs to you when arranging a warranty call. Mileage or service charges are not covered by this warranty. This charge can vary from store to store.

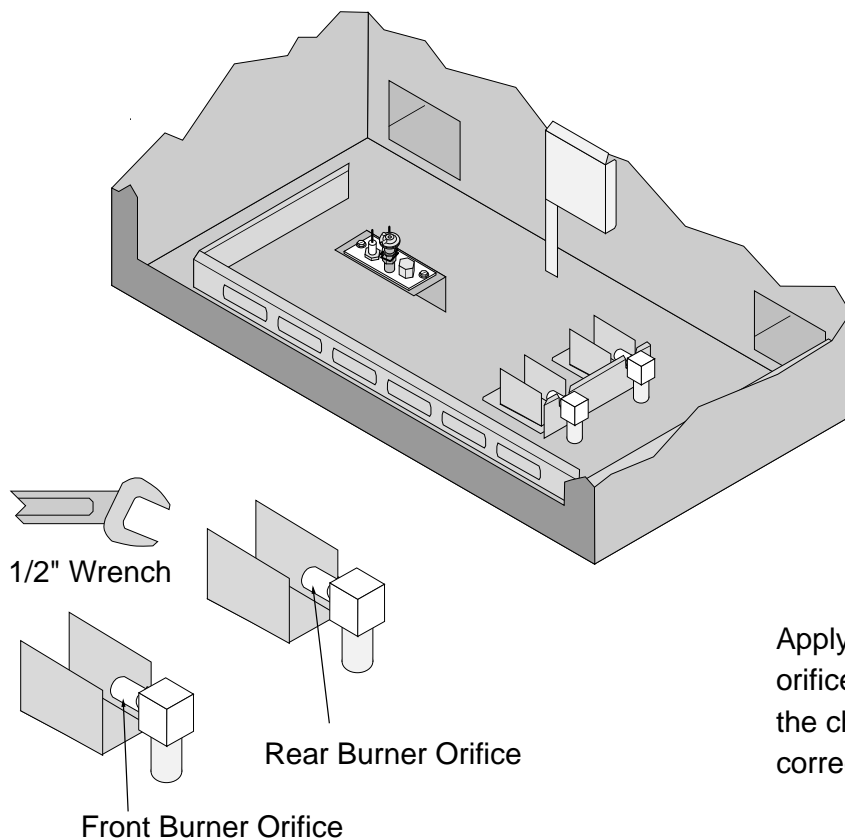
LP Conversion Instructions

Install the conversion kit prior to installing the gas line to ensure proper gas use.

- 1 Remove the glass (see page 29). Remove the logs and embers (if installed - page 31).
- 2 Remove the burner (see below). Grasp the burner with both hands and lift it straight up and out of the firebox.

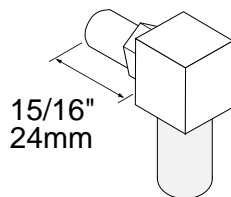


3 Follow the directions below to replace the orifices.



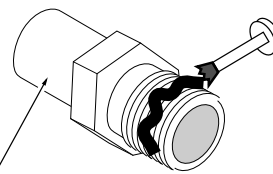
a Use a 1/2" open end wrench to unscrew the two orifices.

c Screw each LP orifice in so the orifice protrudes 15/16" (24mm) (indicating full insertion).



b

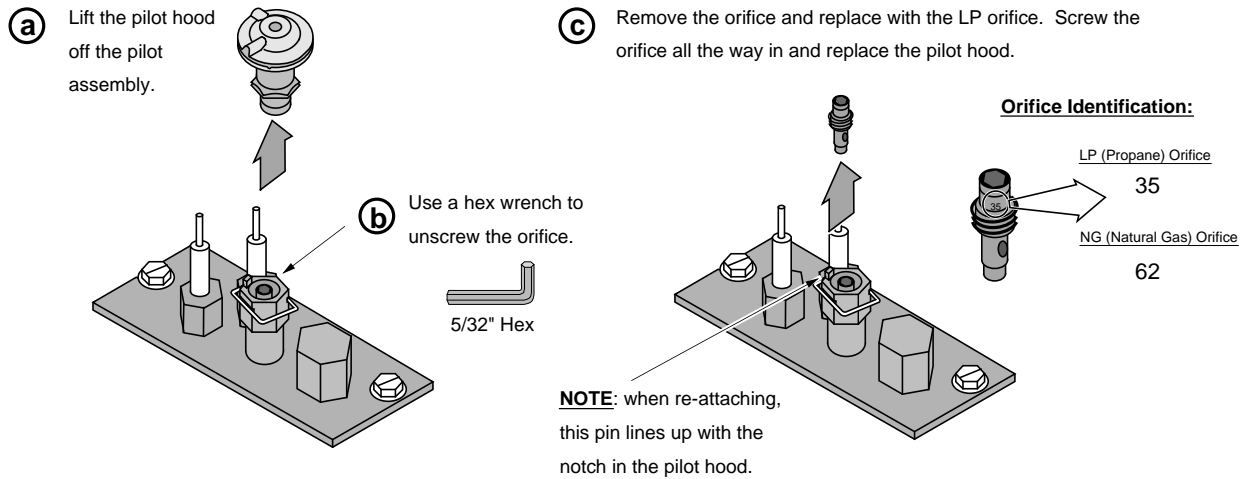
Apply thread sealant to the LP orifices prior to installation. Use the chart below to identify the correct orifices.



Look here for the orifice identification

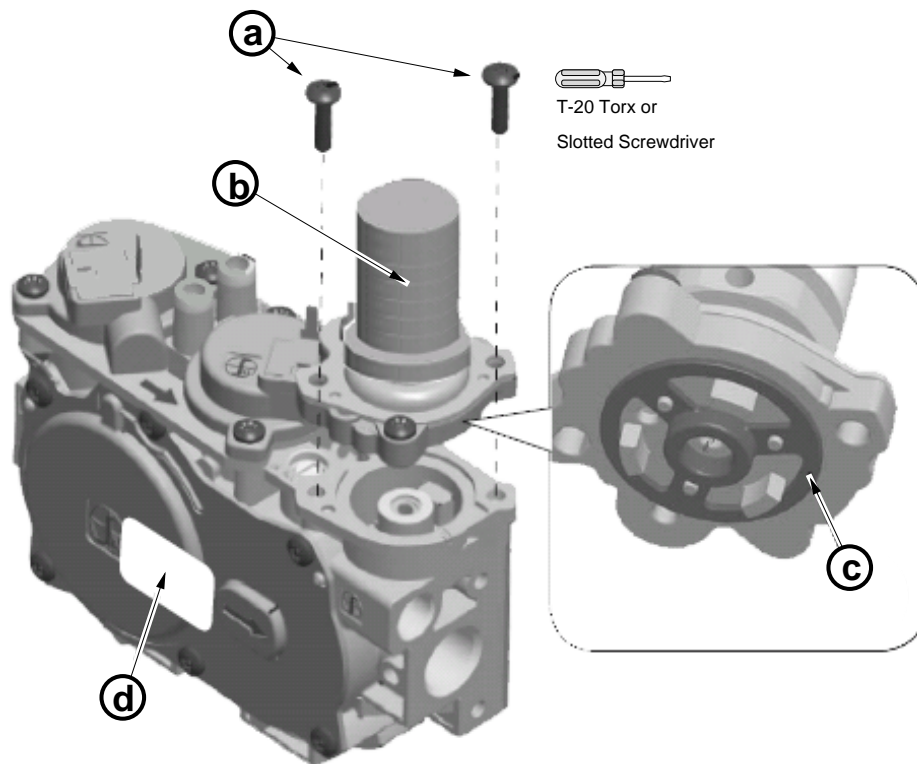
| | NG | LP |
|-------|-----|-----|
| Front | #54 | #64 |
| Rear | #52 | #58 |

4 Remove the pilot orifice following the instructions below. Replace with the propane pilot orifice



5 Replace the firebox components. Install the logs and embers. Replace the glass.

6 Remove and discard the screws (see "a" below) holding the stock regulator in place (see "b" below). Remove the stock regulator and gasket (see "c" below). Place the LP regulator in place, making sure the pre-fitted gasket (see "c" below) is in place. NOTE: There is a label on the base of the regulator knob indicating regulator type (NG or LP). Secure the regulator with the screws included with the regulator – tighten to 25 lb-in of torque. Place the included label on the valve body where it can be easily seen to insure proper identification. NOTE: Leak test this area after the heater is installed, gas is connected, and the main burner is lit.



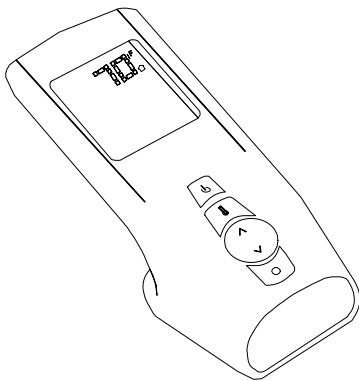
7 Make the gas line connection, bleed the gas line (if applicable), start the heater and thoroughly leak-test all gas connections and the gas control valve.

GreenSmart™ Remote Control Installation

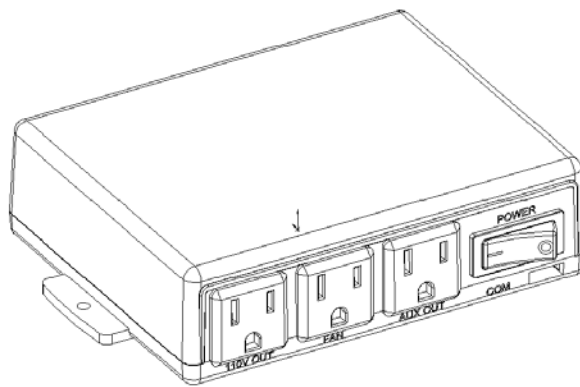
Packing List

- Transmitter
- Receiver (with Cover Plate & Switch)
- Fan Control Module
- Velcro
- LP or NG Stepper Motor (with screws and label - attaches to Valve)
- Wire Harness
- (2) Power Leads
- (4) AA Batteries (inside receiver box)
- (2) #8 x ½" Machine Screws
- (2) Wire Ties
- Torx T-20 Wrench
- Wall Mount (for placing the transmitter on a wall)
- (2) Drywall anchors (for wall mount)
- (2) #8 x 3/8" Type B Screws

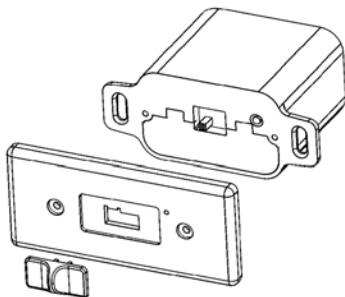
Transmitter



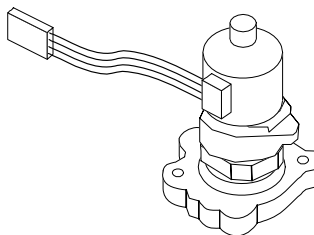
Fan Control Module



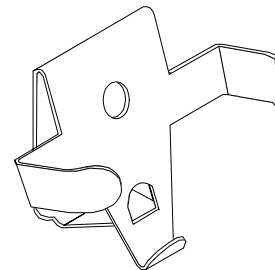
Receiver



Stepper Motor



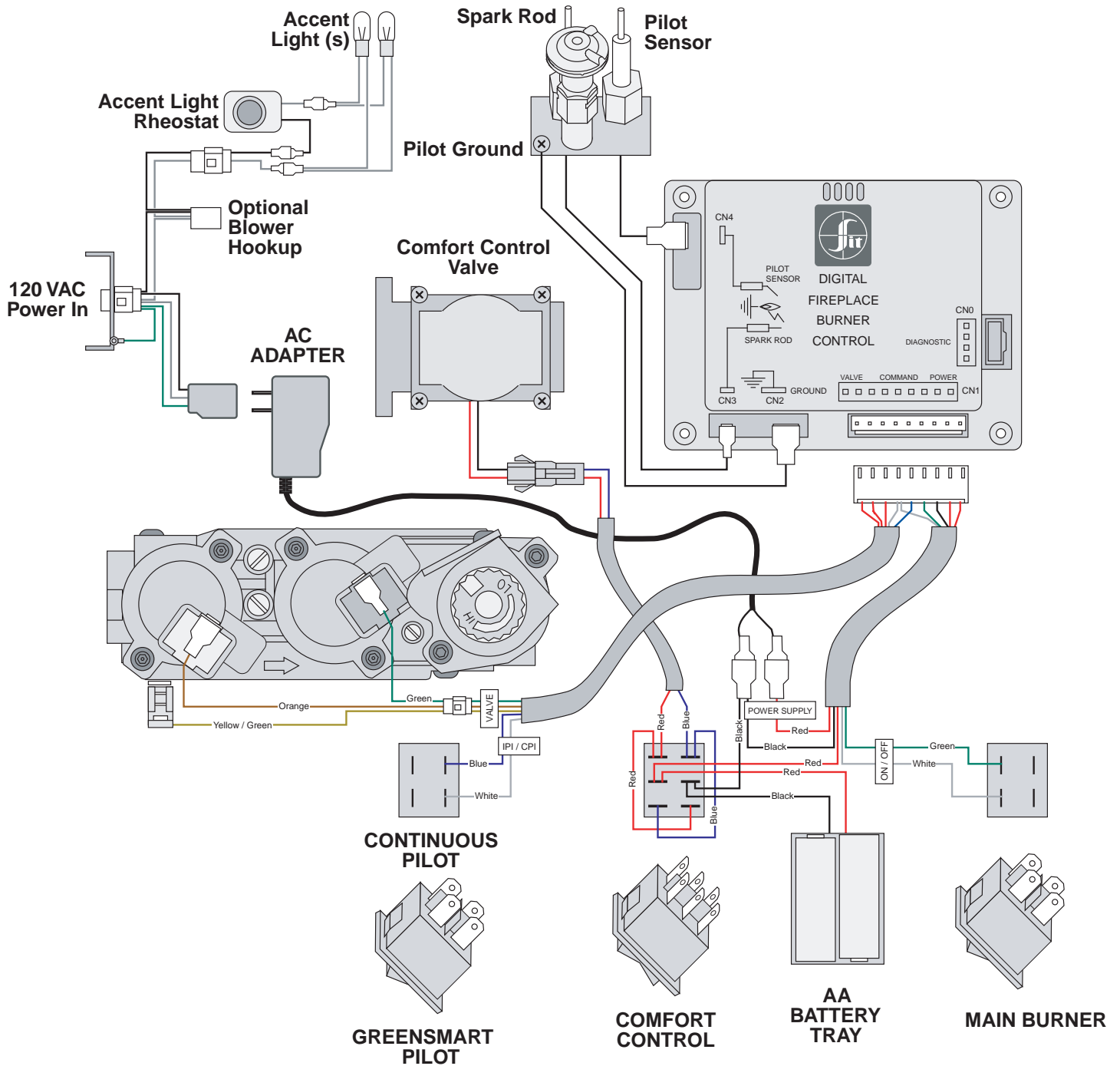
Transmitter Wall Mount



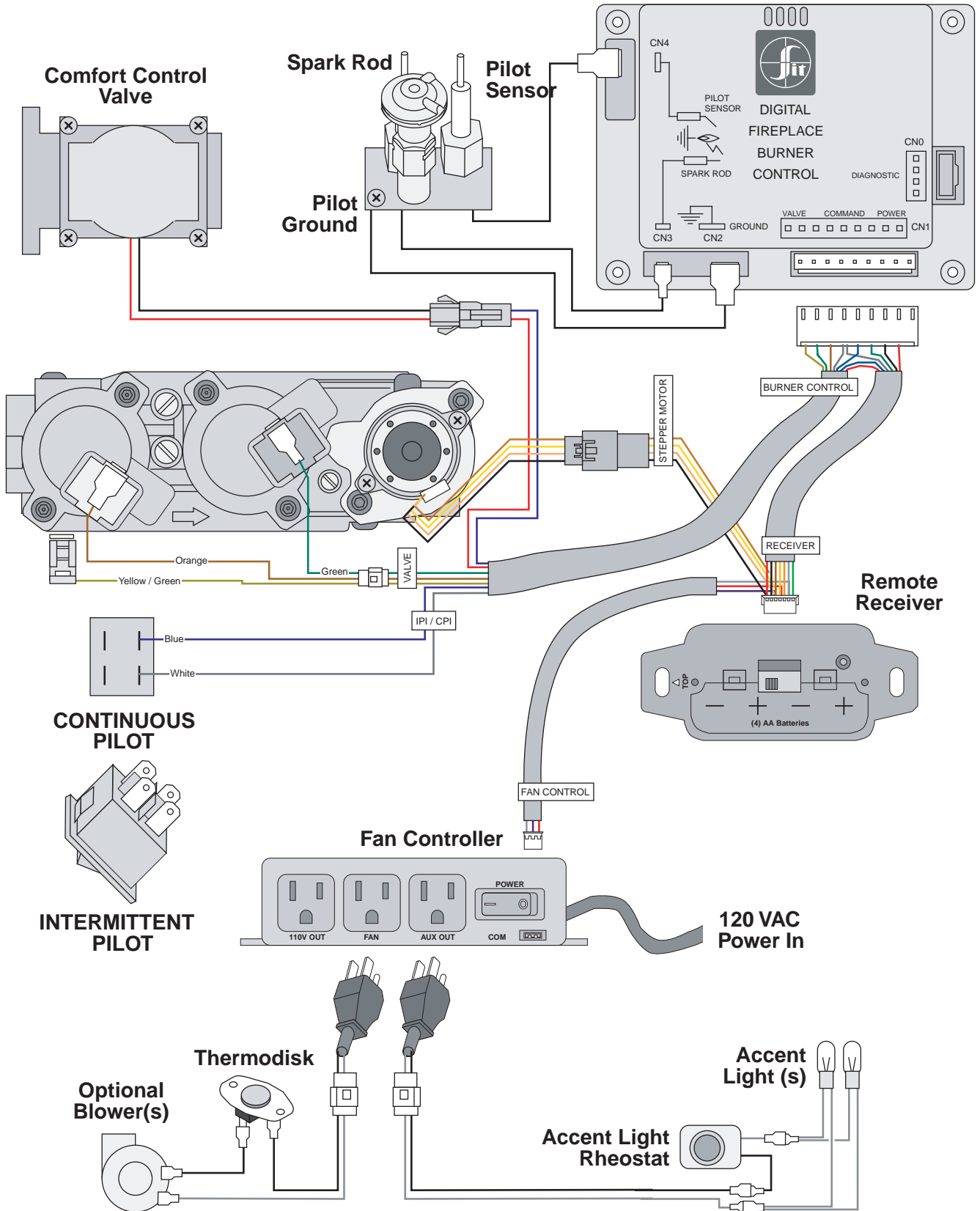
Overview

The GreenSmart remote includes a new wiring harness that replaces the stock wiring harness. Before installing, familiarize yourself with the stock and updated wiring diagrams (see the illustrations on this page and the following page).

Stock Wiring Diagram



GreenSmart Wiring Diagram



Installation

WARNING: Make sure power to the stove has been shut off prior to installation.

NOTE: Refer to the wiring diagram on page 50 while making wiring harness connections.

- 1 Loosen the bottom panel attachment screws (there are two on each side see Figure 1). Slide the bottom panel back and place it below the stove (see Figure 2). This allows for access to the controls under the stove. NOTE: The fireplace controller is secured to the panel with Velcro. It may be removed to allow the panel to rest on the ground.



Figure 1



Figure 2

- 2 Remove the four screws holding the control panel to the front of the stove (see Figure 3). Carefully remove the control panel, making sure you do not disconnect any wiring (see Figure 4).



Figure 3

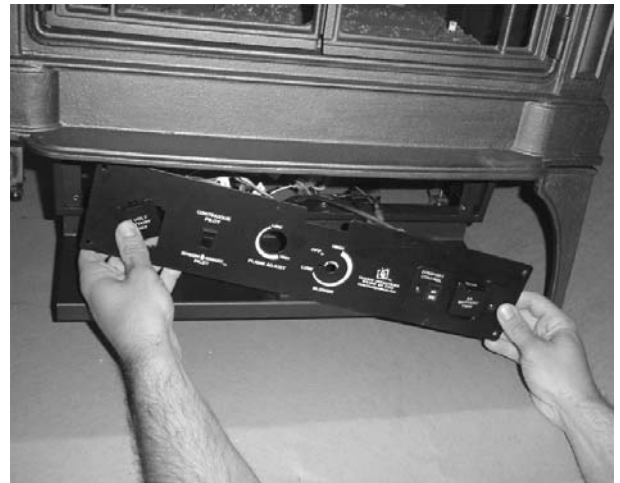


Figure 4

- 3 Unplug the ac adapter from the power harness (see Figure 5). You can leave the ac adapter plugged into the wiring harness.

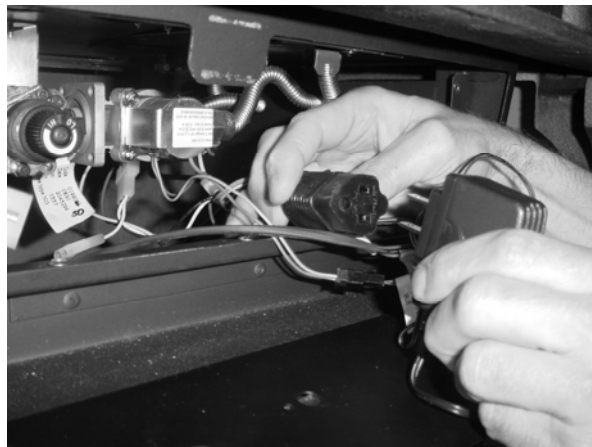


Figure 5

- 4 Disconnect the molex connector leading to the gas control valve (see Figure 6).
WARNING: The tabs on the gas control valve are fragile. Take care when removing the molex connector to not pull or damage the wires or tabs.

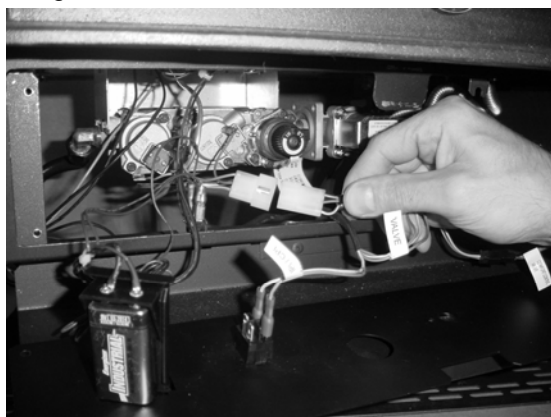


Figure 6

- 5 Disconnect the two leads on the back of the control panel for the IPI / CPI switch (continuous pilot / greensmart pilot – see Figure 7).



Figure 7

- 6 Disconnect the comfort control valve connection (see Figure 8). Disconnect the burner control connector from the fireplace burner control (see Figure 9).

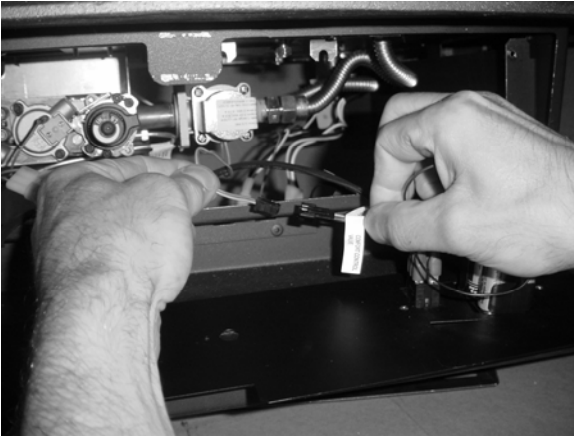


Figure 8



Figure 9

- 7 Disconnect the on/off switch wires (labeled ON/OFF - see Figure 10). Unscrew the on/off/battery plate from the control panel (see Figure 11).

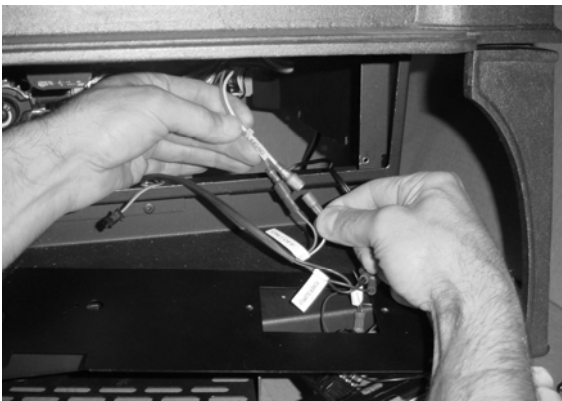


Figure 10



Figure 11

- 8 Pull the plate and wiring forward (see Figure 12). Un-hook the wires from the wire-locks and remove the wiring harness, plate, battery holder, and ac adapter (see Figure 13). These items may be discarded.

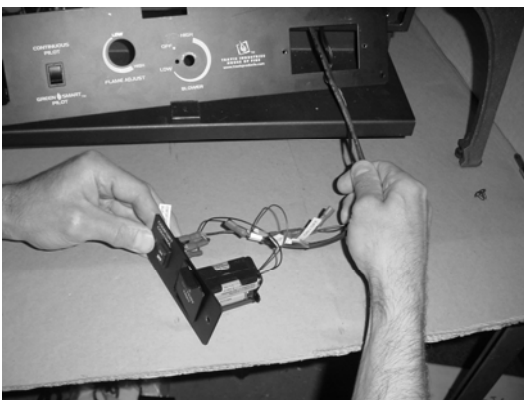


Figure 12

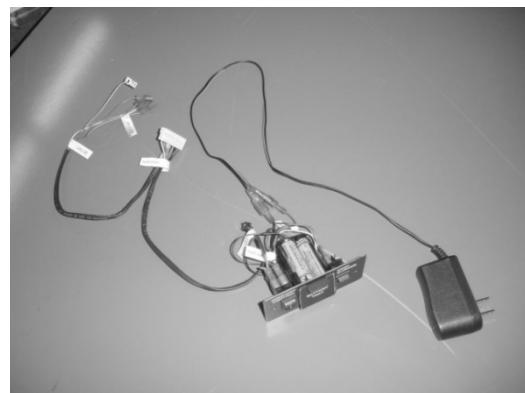


Figure 13

- 9 Use the included torx wrench to remove the stock regulator (see Figure 14). The old regulator may be discarded.



Figure 14

- 10 The stepper motor (adjustable regulator) has an installation sheet included with it – make sure to follow all of the directions. Place the stepper motor on the gas control valve (see Figure 15) – **MAKE SURE IT IS CORRECTLY ORIENTED.** Secure using the screws included with the motor (see Figure 16) – tighten to 25 Lb-inches. Leak test this area after installation to verify proper installation.

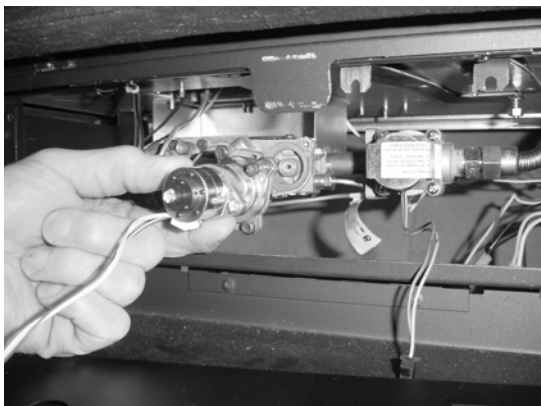


Figure 15

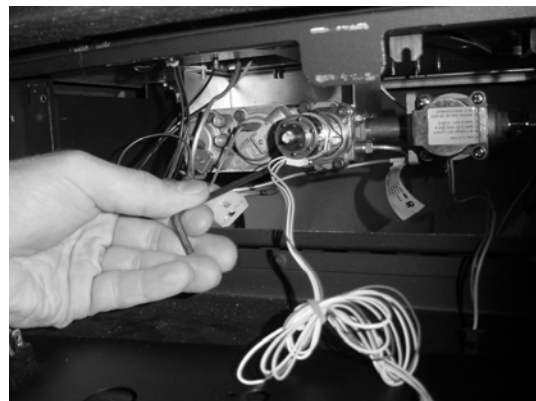


Figure 16

- 11 Place the GreenSmart wiring harness in front of the stove, noting the position of each connector (see Figure 17).

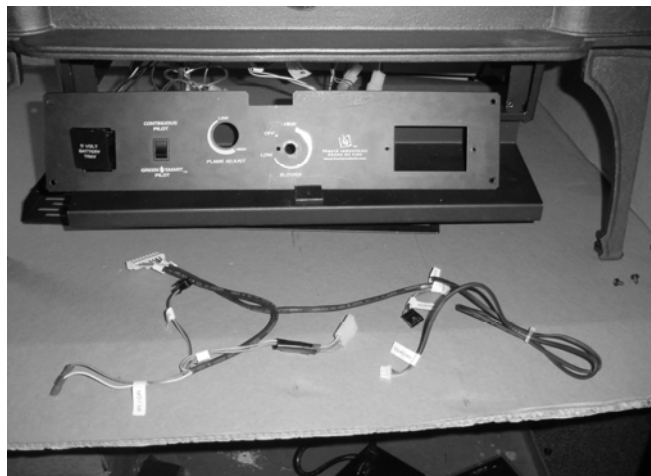


Figure 17

- 12 Attach the wiring harness to the burner control (see Figure 18). Attach the gas control valve moxex connector (see Figure 19).

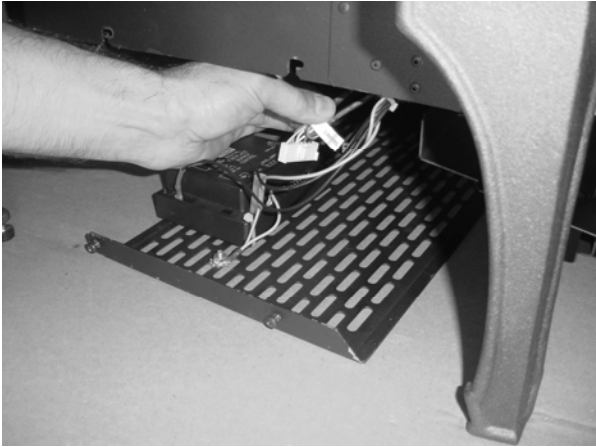


Figure 18



Figure 19

- 13 Attach the blue and white wires to the IPI/CPI switch (see Figure 20). Connect the wiring harness to the stepper motor (see Figure 21).

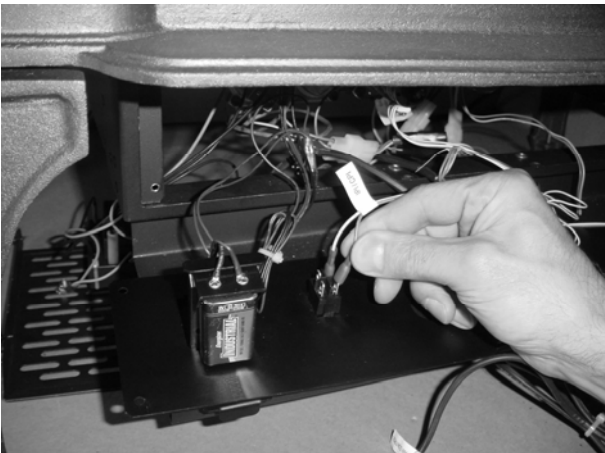


Figure 20

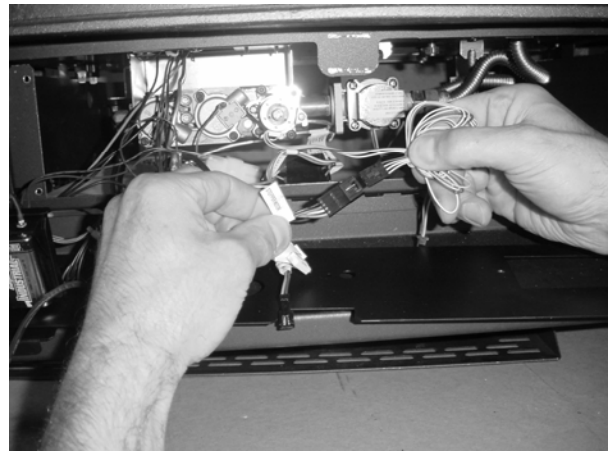


Figure 21

- 14 Attach the wiring harness to the comfort control valve connection (see Figure 22).

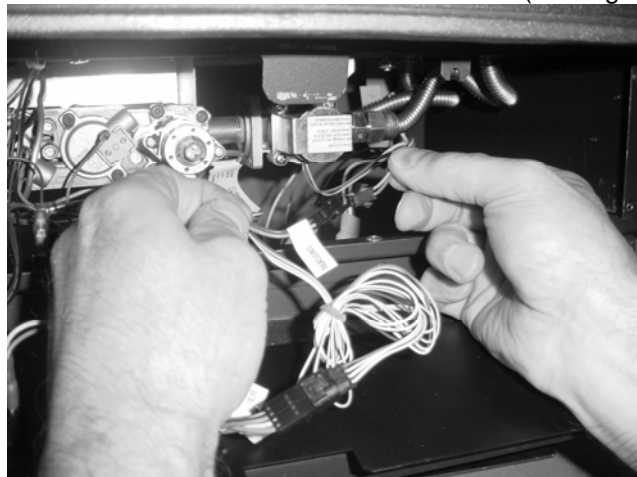


Figure 22

- 15 Place the fan controller on the bottom panel as shown in Figure 23. Make sure the control module is positioned with the power cord to the right and the module at the back edge of the bottom panel.



Figure 23

- 16 Attach the power cord from the fan controller to the AC connection (see Figure 24). Attach the connector labeled "FAN CONTROL" on the wiring harness to the fan control module (see Figure 25). **MAKE SURE TO TURN THE FAN CONTROLLER ON** ("-" SYMBOL).



Figure 24

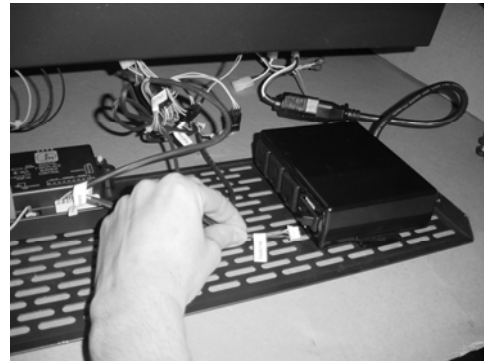


Figure 25

- 17 Access the back of the stove and disconnect the power lead from accent light (see Figure 26). Connect the accent light wiring to the power lead included with this kit (see Figure 27).

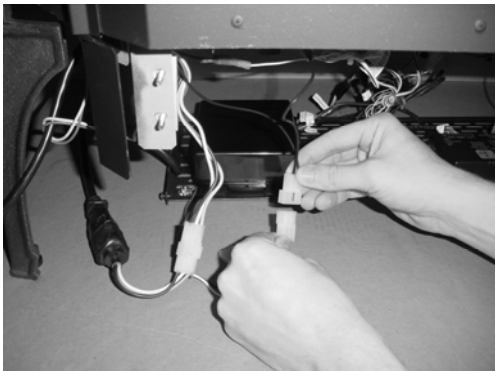


Figure 26

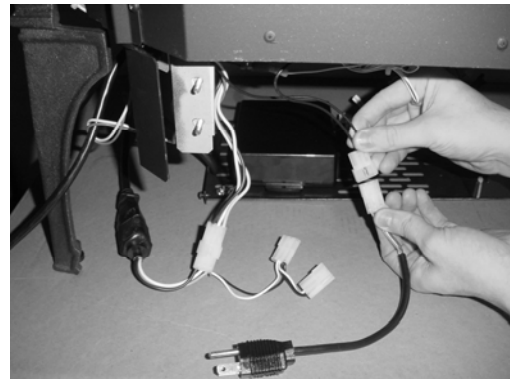


Figure 27

- 18 Attach the accent light power lead to the fan controller in the "AUX OUT" receptacle (see Figure 28).

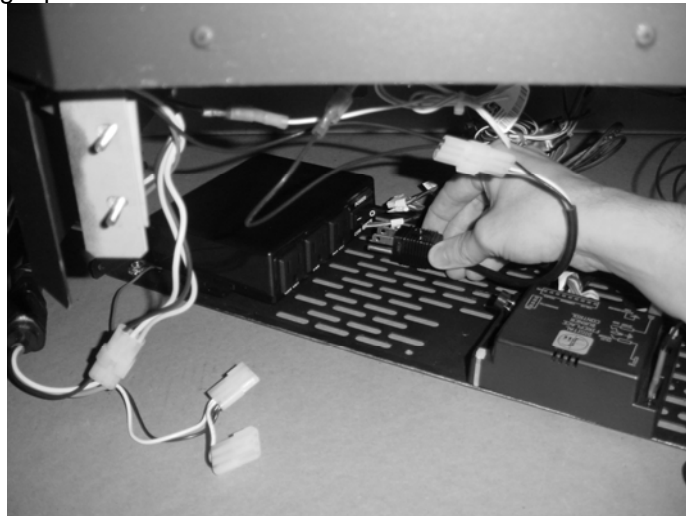


Figure 28

NOTE: If using the optional fan, you will want to disconnect its power lead and connect it to the extra power lead included with this kit, then connect it to the "FAN" receptacle on the fan controller. See the blower installation instructions for details.

- 19 Slide the receiver through the control panel and attach the "RECEIVER" connector to the receiver (see Figure 29). Attach the control panel to the stove using the four screws removed earlier (see Figure 30).



Figure 29

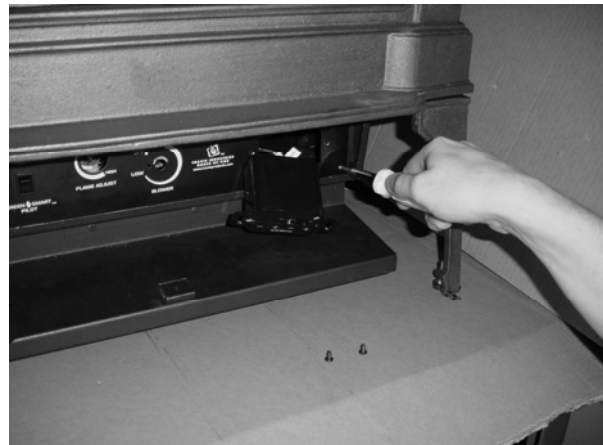


Figure 30

- 20 Attach the receiver to the control panel with the two #8 machine screws (Figure 31).



Figure 31

- 21 Re-attach the bottom plate to stove, taking care to prevent any wiring from being pinched (see Figure 32). Use the included wire ties, if necessary, to keep all wiring from contacting any hot or moving components.

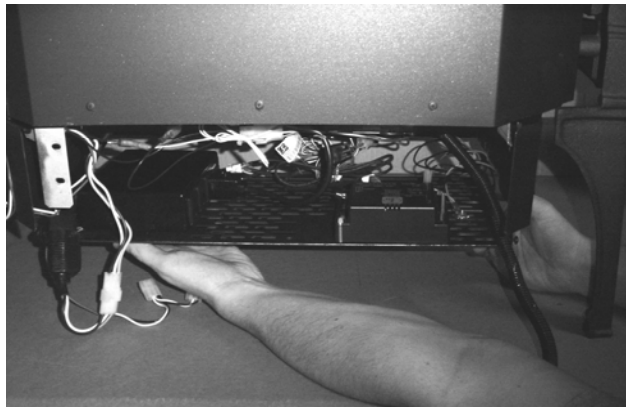


Figure 32

- 22 Place batteries into the receiver and transmitter (see Figure 33). Calibrate the receiver to the transmitter (see Figure 34 - use a paperclip to press the "PRG" button, let it beep, then press any button on the transmitter – the receiver should beep 5 times – see the operating instructions for further details).

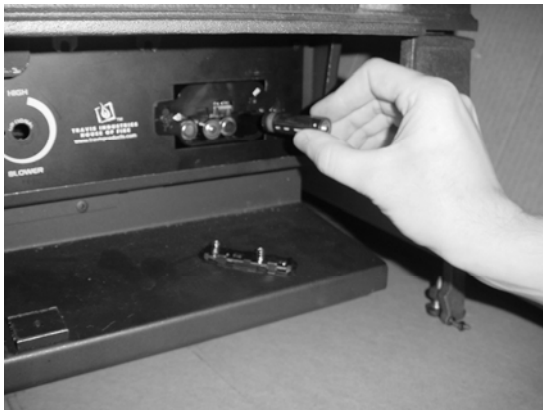


Figure 33



Figure 34

- 23 Place the receiver coverplate (and switch) over the receiver (see Figure 35) and attach with the two screws included with the receiver (see Figure 36)



Figure 35



Figure 36

- 24 A wall mount is included with this kit for the remote. It may be mounted to the wall for easy access and storage. Use the included drywall anchors (and screws) to secure it to the wall (see Figure 37).

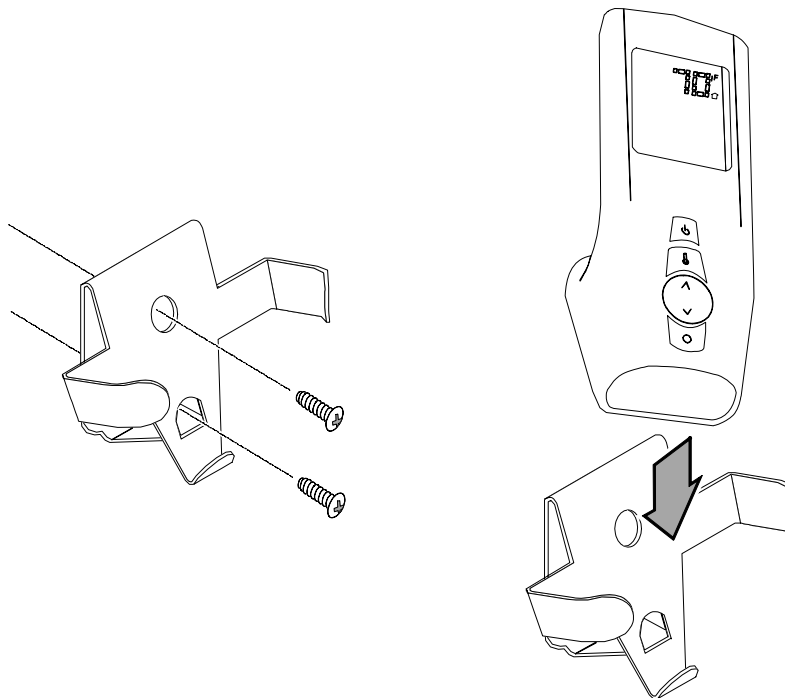


Figure 37

- 25 Restore power to the stove and test operation of the remote (see the instructions included with the remote).

| | | | |
|---|--------------------|--|--------------------|
| Approved Vent Configurations | 16 | Installation Options | 6 |
| Adjusting the Blower Speed..... | 37 | Items Required for Installation | 7 |
| Adjusting the Flame Height..... | 36 | Leaking Gas..... | See Inst. on Cover |
| Air Shutter Adjustment | 28 | Listing Information | 43 |
| Altitude Considerations | 15 | Location of Controls..... | 35 |
| Blower Control..... | 37 | Log Set Installation and Removal..... | 31 |
| BTU Input | 6 | Maintenance | 39 |
| BTU Output | 6 | Noise (see Normal Operating Sounds)..... | 38 |
| Cap (see vent termination)..... | 24 | Normal Operating Sounds | 38 |
| Chimney Cap (see vent termination) | 24 | Packing List..... | 7 |
| Clearances | 9 | Piping Installation (see Gas Line Install) | 14 |
| Condensation on Glass..... | 36 | Restrictor Position..... | 16 |
| Corner Installation | 9 | Safety Label | 43 |
| Dimensions | 6 | Safety Precautions..... | 4 |
| Elbows..... | 16 | Starting the Stove for the First Time | 36 |
| Finalizing the Installation..... | 27 | Thermostat Operation..... | 36 |
| Floor Protection | 12 | Turning the Stove On and Off..... | 36 |
| Fuel | 4 | Vent Length (see "Vent Config.") | |
| Gas Inlet Pressure | 14 | Vent Requirements | 11 |
| Gas Line Connection | 14 | Vertical Vent Termination Requirements..... | 24 |
| Gas Line Install | 14 | Warnings..... | 4 |
| Gas Smell..... | See Inst. on Cover | Warranty | 40 |
| Glass Installation and Removal | 29 | Water on Glass (see Condensation) | 36 |
| Hearth Requirements..... | 12 | Weight..... | 6 |
| Heating Specifications | 6 | Wiring Diagram | 42 |
| Horizontal Vent Termination Requirements..... | 24 | Yearly Service Procedure..... | 40 |