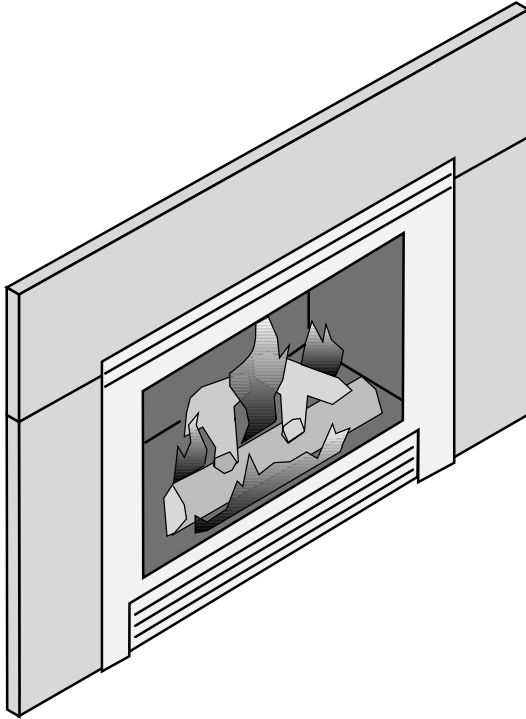




TRAVIS INDUSTRIES HOUSE OF FIRE



DVS Insert EF II Owner's Manual

Featuring the



Burner

Tested and Listed by



OMNI-Test Laboratories, Inc.
Beaverton, Oregon
Report # 028-F-73-5
ANSI Z21.88

- Direct Vent Fireplace Insert
- Masonry or Factory Built (Metal) Wood-Burning Fireplace
- Residential or Mobile Home

WARNING: If the information in these instructions is not followed exactly, a fire or explosion may result causing property damage, personal injury or loss of life.

- Do not store or use gasoline or other flammable vapors and liquids in the vicinity of this or any other appliance.

WHAT TO DO IF YOU SMELL GAS

- Do not try to light any appliance.
- Do not touch any electrical switch; do not use any phone in your building.
- Immediately call gas supplier from a neighbor's phone. Follow the gas supplier's instructions.
- If you cannot reach your gas supplier, call the fire department.
- Installation and service must be performed by a qualified installer, service agency or the gas supplier.

This appliance may be installed as an OEM installation in a manufactured (mobile) home and must be installed in accordance with the manufacturer's instructions and the manufactured home construction and safety standard, Title 24 CFR, Part 3280.

This appliance is only for use with the type(s) of gas indicated on the rating plate. A conversion kit is supplied with the appliance.

Installer: After installation give this manual to the home-owner and explain operation of this heater.

Travis Industries, Inc.

4800 Harbour Pointe Blvd. SW
Mukilteo, WA 98275

Introduction

We welcome you as a new owner of a DVS Insert. In purchasing this fireplace insert you have joined the growing ranks of concerned individuals whose selection of an energy system reflects both a concern for the environment and aesthetics. It is one of the finest home heaters the world over. This manual will explain the installation, operation, and maintenance of this heater. Please familiarize yourself with the Owner's Manual before operating your heater and save the manual for future reference. Included are helpful hints and suggestions that will make the operation and maintenance of your new heater an easier and more enjoyable experience. We offer our continual support and guidance to help you achieve the maximum benefit and enjoyment from your heater.

Important Information

No other DVS Insert has the same serial number as yours. The serial number is below and to the left of the gas control valve.

This serial number will be needed in case you require service of any type.

Model: _____ DVS Insert EF II _____

Serial Number: _____

Purchase Date: _____

Purchased From: _____

Register your warranty online at:

traviswarranty.com

Or, mail your warranty card to:

Travis Industries House of Fire
4800 Harbour Pointe Blvd. SW
Mukilteo, WA 98275

Save Your Bill of Sale.

To receive full warranty coverage, you will need to show evidence of the date you purchased your heater. Do not mail your Bill of Sale to us.

We suggest that you attach your Bill of Sale to this page so that you will have all the information you need in one place should the need for service or information occur.

**NATIONAL
FIREPLACE
INSTITUTE**



CERTIFIED
www.nficertified.org

We suggest that our gas hearth products be installed and serviced by professionals who are certified in the U.S. by the National Fireplace Institute® (NFI) as NFI Gas Specialists.

Introduction and Important Information

Introduction2

Safety Precautions

Safety Precautions4

Features & Specifications

Features6

Installation Options6

Heating Specifications6

Dimensions6

Installation

Installation Warnings7

Packing List7

Additional Items Required7

Items Packed with the Face7

Order of Installation7

Top Convection Deflector8

Fireplace Requirements8

 Factory-Built (Metal) Wood-Burning Fireplace

 Requirements9

Hearth Requirements9

Clearances10

 Mantel Clearances10

Face Sizing11

Gas Line Requirements13

 Gas Line Location13

 Gas Inlet Pressure13

Vent Requirements14

 Altitude Considerations14

 Vent Restrictor15

 Vent Installation15

 Vent Location16

 Vent Configurations16

 Vent Connector Removal and Installation17

Surround Panel Installation19

 Installation of the On/Off Switch and Rheostat ...20

Installation Without Surround Panels20

Electrical Connection20

Finalizing the Installation

Glass Frame Removal and Installation21

Log Set Installation23

Steps for Finalizing the Installation25

Pilot Flame Inspection25

Air Shutter Adjustment25

Operation

Before You Begin27

Location of Controls27

Starting The Pilot Flame28

Starting the Heater for the First Time29

Turning the Heater On and Off29

Adjusting the Flame Height29

Adjusting the Blower Speed30

Normal Operating Sounds30

Normal Operating Odors30

Maintenance

Maintaining Your Heater's Appearance31

Yearly Service Procedure31

Troubleshooting Table32

How this Heater Works33

Wiring Diagram34

Replacement Parts List34

Safety Label

Safety Label35

Warranty

Warranty36

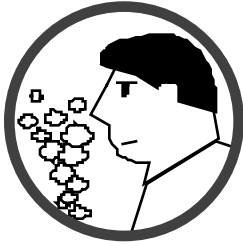
Optional Equipment

LP Conversion Instructions37

Firebacks40

Index

Index42

**IF YOU SMELL GAS:**

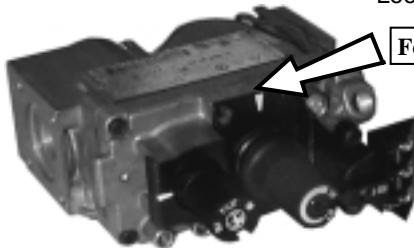
- * Do not light any appliance
- * Extinguish any open flame
- * Do not touch any electrical switch or plug or unplug anything
- * Open windows and vacate building
- * Call gas supplier from neighbor's house, if not reached, call fire department



This unit must be installed by a qualified installer to prevent the possibility of an explosion. Your dealer will know the requirements in your area and can inform you of those people considered qualified. The room heater should be inspected and cleaned before use and at least annually by a qualified service person. More frequent cleaning may be required due to excessive lint from carpeting, bedding material, etc.

The instructions in this manual must be strictly adhered to. Do not use makeshift methods or compromise in the installation. Improper installation will void the warranty and safety listing.

Look for this label:



For LPG only | Pout 11" W.C.

If the label is present, the heater is equipped for LP (propane). If the label is absent, the heater is equipped for NG (natural gas).

This heater is either approved for natural gas (NG) or for propane (LP). Burning the incorrect fuel will void the warranty and safety listing and may cause an extreme safety hazard. Direct questions about the type of fuel used to your dealer. Check the label and flame adjust knob on the gas control valve.



Contact your local building officials to obtain a permit and information on any installation restrictions or inspection requirements in your area. Notify your insurance company of this heater as well.



If the flame becomes sooty, dark orange in color, or extremely tall, do not operate the heater. Call your dealer and arrange for proper servicing.



It is imperative that control compartments, screens, or circulating air passageways of the heater be kept clean and free of obstructions. These areas provide the air necessary for safe operation.



Do not operate the heater if it is not operating properly in any fashion or if you are uncertain. Call your dealer for a full explanation of your heater and what to expect.



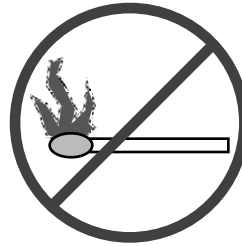
Do not store or use gasoline or other flammable liquids in the vicinity of this heater.



Do not operate if any portion of the heater was submerged in water or if any corrosion occurs. Immediately call a qualified service technician to inspect the appliance and to replace any part of the control system that has been under water.



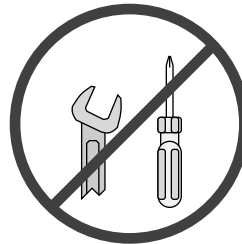
Do not place clothing or other flammable items on or near the heater. Because this heater can be controlled by a thermostat there is a possibility of the heater turning on and igniting any items placed on or near it.



Light the heater using the built-in piezo igniter. Do not use matches or any other external device to light your heater.



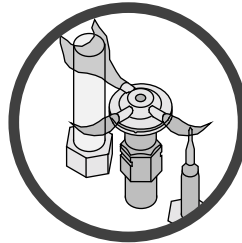
The viewing glass should be opened only for lighting the pilot or conducting service. Do not operate with cracked, broken, or removed glass.



Never remove, replace, modify or substitute any part of the heater unless instructions are given in this manual. All other work must be done by a trained technician. Don't modify or replace orifices.



Operate the heater according to the instructions included in this manual.



The pilot flame must contact the thermopile and thermocouple (see the illustration to the left). If it does not, turn the gas control valve to "OFF" and call your dealer.



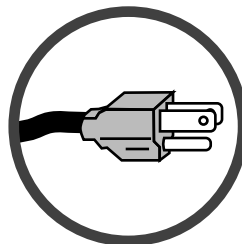
This unit is not for use with solid fuel



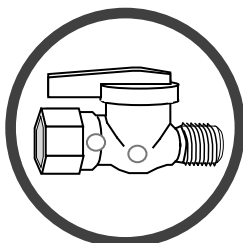
Do not throw this manual away. This manual has important operating and maintenance instructions that you will need at a later time. Always follow the instructions in this manual.



Children and adults should be alerted to the hazards of high surface temperature and should stay away to avoid burns or clothing ignition. Young children should be supervised when they are in the same room as the heater.



Plug the heater into a 120V grounded electrical outlet. Do not remove the grounding plug.



Instruct everyone in the house how to shut gas off to the appliance and at the gas main shutoff valve. The gas main shutoff valve is usually next to the gas meter or propane tank and requires a wrench to shut off.



Travis Industries, Inc. grants no warranty, implied or stated, for the installation or maintenance of your heater, and assumes no responsibility of any consequential damage(s).

Features

- Works During Power Outages (millivolt system)
- High Efficiency
- Optional Thermostat or Remote Control
- Ember Fyre™ Burner for "Wood Fire" Look
- Quiet Blower for Effective Heat Distribution
- Convenient Operating Controls
- Variable-Rate Heat Output
- Low Maintenance

Installation Options

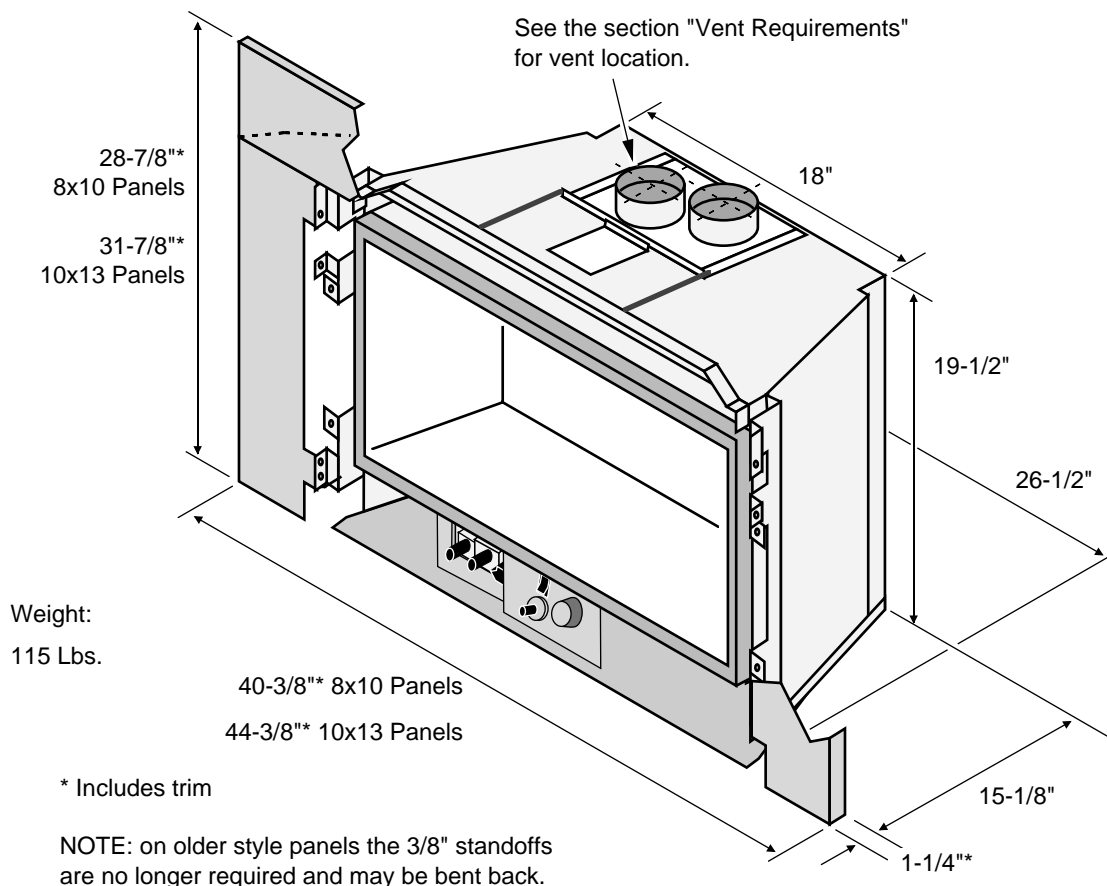
- Residential or Mobile Home
- Fireplace Insert
- Masonry or Factory Built (Metal) Wood-Burning Fireplace

Heating Specifications

	Natural Gas	Propane
Approximate Heating Capacity (in square feet)*	500 to 1,500	500 to 1,500
Maximum BTU Input Per Hour	31,000	31,000
Minimum BTU Output on Low	18,600	16,000
Steady State Efficiency** (with blowers on)	80 %	80.5 %
AFUE (Annual Fuel Utilization Efficiency)	72.1 %	73.9 %

* Heating capacity will vary with floor plan, insulation, and outside temperature.

** Efficiency rating is a product of thermal efficiency rating determined under continuous operation independent of installed system.

Dimensions

Installation Warnings

- **Failure to follow all of the requirements may result in property damage, bodily injury, or even death.**
- **This heater must be installed by a qualified installer who has gone through a training program for the installation of direct vent gas appliances.**
- **This appliance must be installed in accordance with all local codes, if any; if not, follow ANSI Z223.1 and NFPA 54(88).**
- **In Manufactured or Mobile Homes must conform with Manufactured Home Construction and Safety Standard, Title 24 CFR, Part 3280, or, when such a standard is not applicable, the Standard for Manufactured Home Installations, ANSI/NCSBCS A225.1. This appliance may be installed in Manufactured Housing only after the home is site located.**
- **The heater is designed to operate on natural gas, or propane (LP).**
- **All exhaust gases must be vented outside the structure of the living-area. Combustion air is drawn from outside the living-area structure.**
- **Notify your insurance company before hooking up this heater.**
- **The requirements listed below are divided into sections. All requirements must be met simultaneously. The order of installation is not rigid – the qualified installer should follow the procedure best suited for the installation.**

Packing List

- Propane Conversion Kit
- Log Set
- Cove Covers
- "Fireplace Altered" tag (attach to the fireplace)
- Arched/Artisan/Metropolitan/Vict. Lace Face Brackets

Additional Items Required

- Faceplate
- 6-5/8" to 3" & 3" Co-Linear Adapter - with flashing (Simpson Duravent part # 923GK)
- 3" Diameter Gas Liner (2)
- Direct Vent Cap (Simpson Duravent Part # 991)
- Gas Line Equipment (shutoff valve, pipe, etc.)

Items Packed with the Face

- Face with attachment hardware (Note: use the cove covers included with the heater)
- Face Installation Instructions

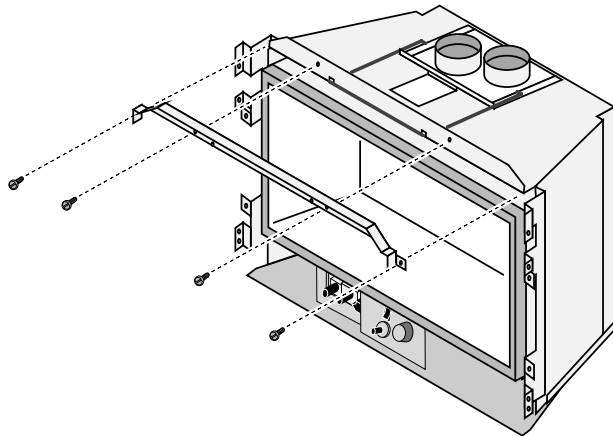
Order of Installation

- 1 If the heater is to use propane, install the propane conversion kit (see page 37).
- 2 Install gas line into the fireplace (do not connect to unit).
- 3 Position the heater.
- 4 Connect the gas line and gas vent to the appliance.
- 5 Install the optional surround panels and trim. Attach the on/off switch.
- 6 Follow the instructions under "Finalizing the Installation" on page 25.

Top Convection Deflector

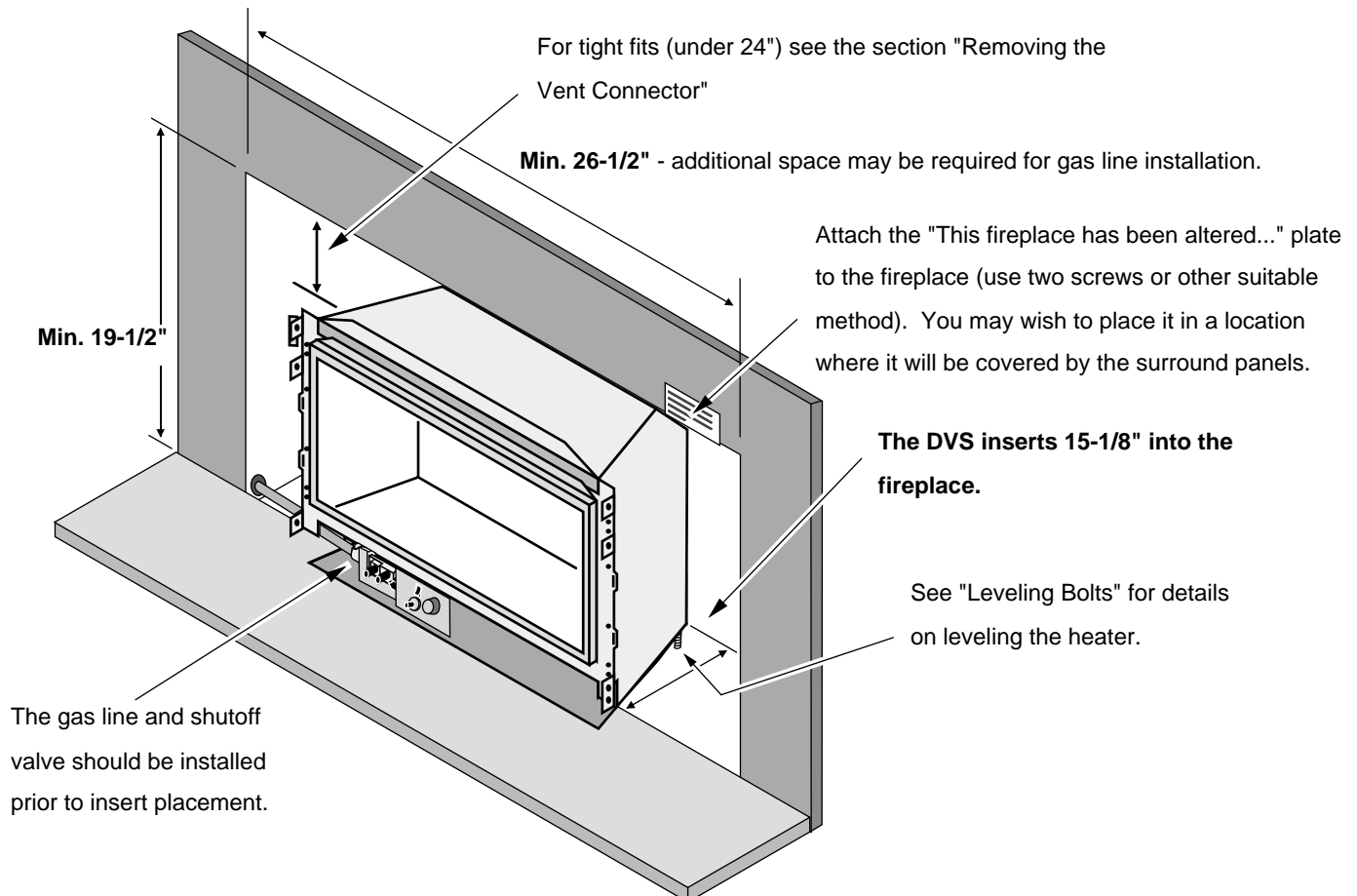
Install the top convection deflector as shown to the right.

The deflector is shipped on top of the insert. The screws are shipped inside the owner's pack.



Fireplace Requirements

- Insert must be placed within a code-conforming masonry fireplace or tested and listed factory-built (metal) wood-burning fireplace. Repair any fireplace damage prior to installation.
- Because the insert uses a circulation blower, clean the fireplace, smoke shelf, and chimney prior to installation.
- This heater may be placed in a bedroom. Please be aware of the large amount of heat this appliance produces when determining a location.



Factory-Built (Metal) Wood-Burning Fireplace Requirements

NOTE: Any parts that are removed must be removed in a way that would allow them to be re-installed if the insert is ever removed.

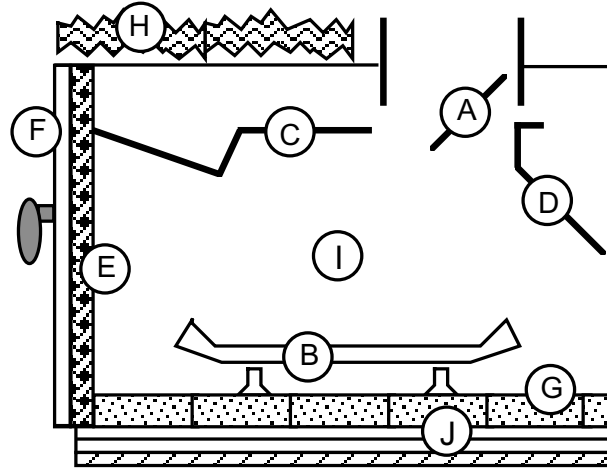
The damper ("A") and grate (with log set) ("B") must be removed (see the illustration below)

The smoke shelf ("C"), internal baffles ("D"), screen ("E"), masonry lining or refractory ("G" & "I"), and metal or glass doors ("F") may be removed (if applicable)

The fireplace must be permanently marked to indicate that it has been altered and is no longer suitable for burning solid fuel (wood), unless the removed parts are re-installed. Cutting of any sheet metal parts is prohibited (removal of rivets or screws is acceptable).

The insulation ("H"), and any structured rigid frame members must not be removed or altered (side and top of door frame, side and top of the face of the fireplace, metal sides, etc.).

The metal floor ("J") may be removed to allow additional room for installation of the insert. If the floor is removed the insert must be placed directly on the metal base of the metal fireplace.



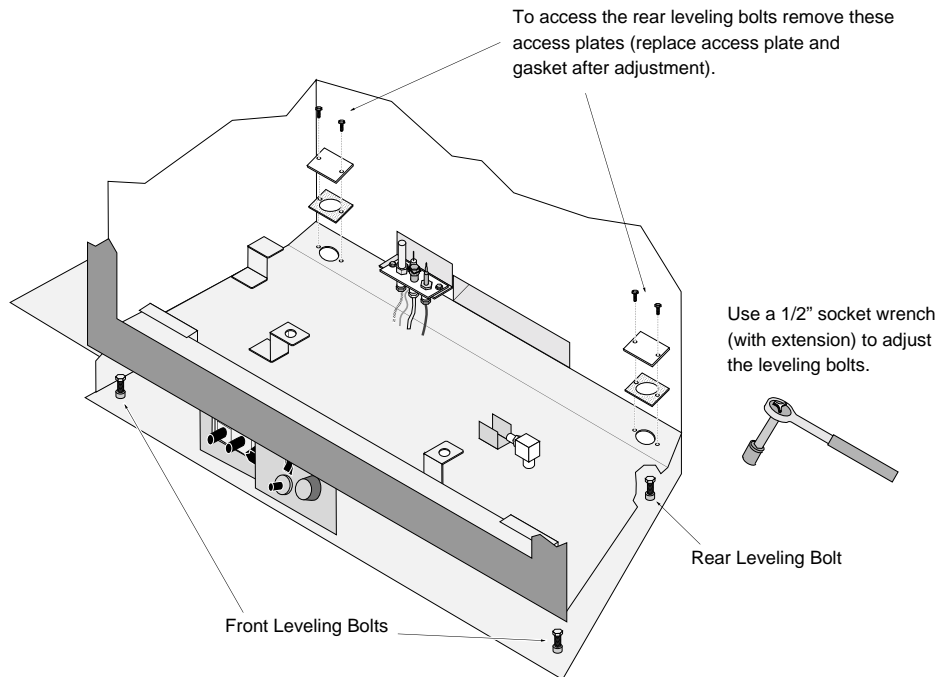
Hearth Requirements

The heater and face must not contact combustible surfaces. A non-combustible hearth extension is not required. However, if the heater is installed next to the floor, we recommend a hearth to protect the flooring surface from discoloration or other negative impact from the heater.

Leveling Bolts

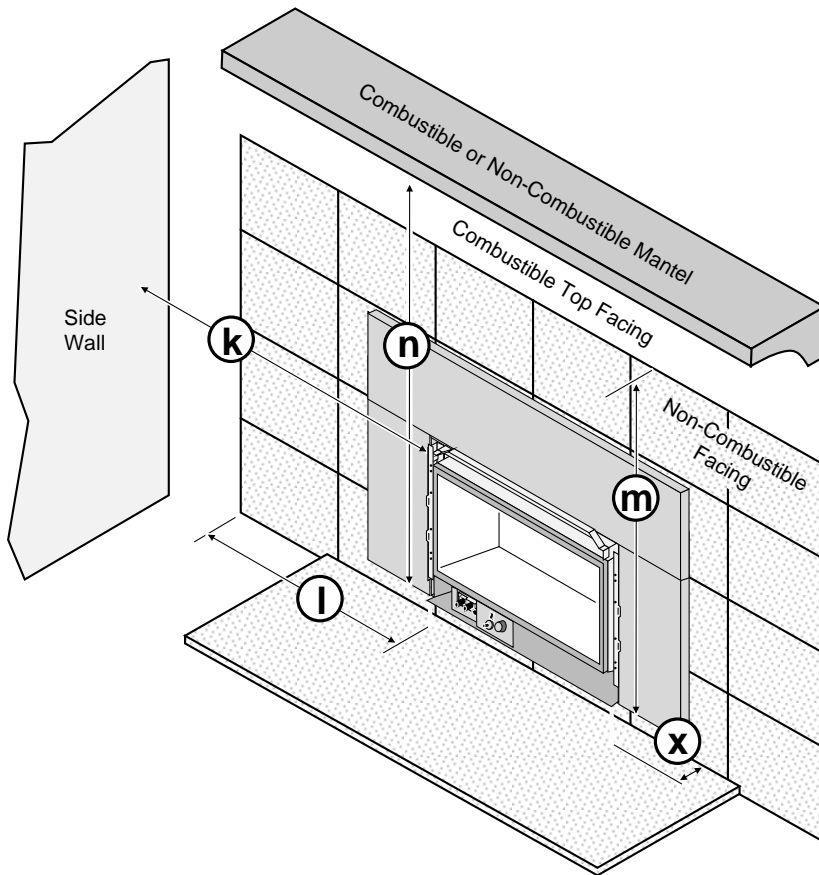
This heater includes front and rear leveling bolts to accommodate fireplaces with a step-down firebox.

NOTE: To access the rear leveling bolts, remove the burner (see page 40).



Clearances

Due to the high temperature of the heater, it should be located out of traffic and away from furniture and draperies.



Minimum Clearances

k	Sidewall to Insert	4-1/2"
l	Side Facing	4-1/2"
m	Top Facing	35" *
n	Mantel	35" *
x	Extension onto Hearth	1-1/4"

* Measured from the base of the insert.

Mantel Clearances

The maximum mantel depth is 12".

NOTE: The combustible area above the facing must not protrude more than 3/4" from the facing. If it does, it is considered a mantel and must meet the mantel requirements listed in this manual.

Face Sizing

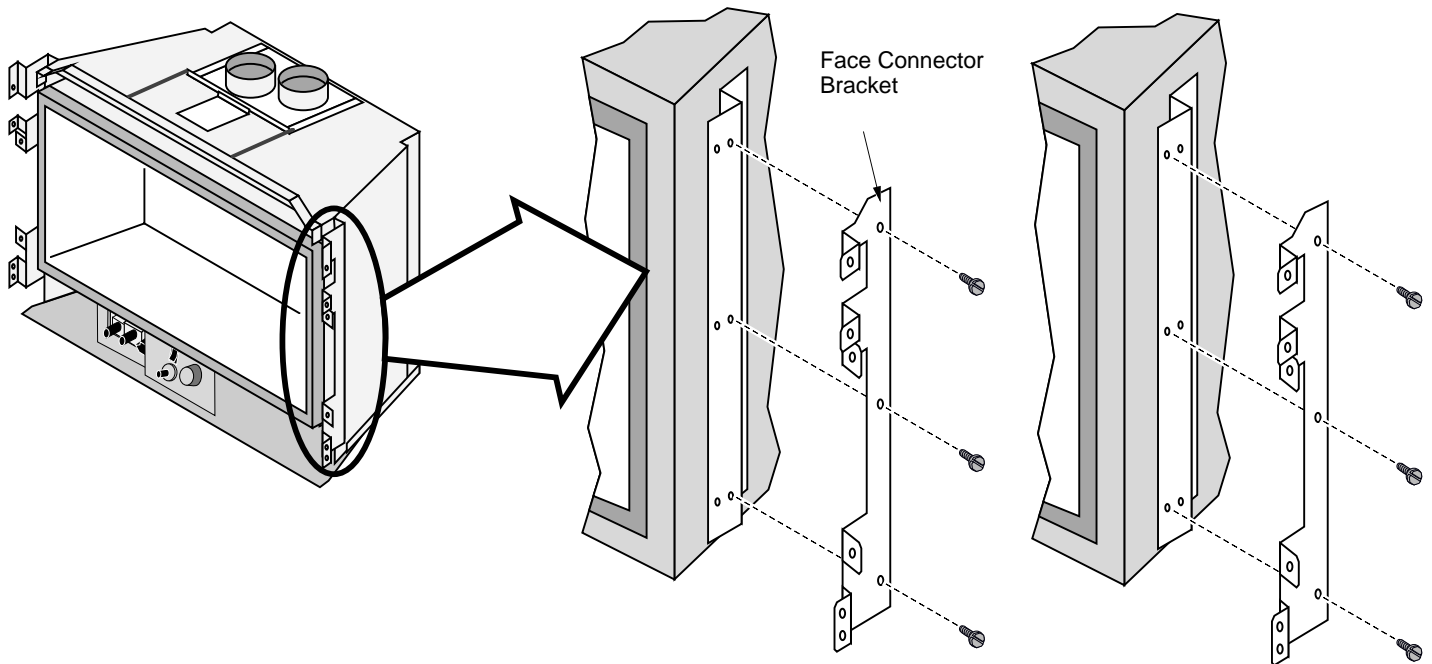
Face	Height	Width	Notes
Rawhide	22-1/2"	32"	
Victorian	22-1/2"	32"	
Rosario	21-9/16"	32"	
Cambridge	21-1/2"	33"	
Craftsman	21-1/2"	32"	
Classic Arched, Artisan	22"	30"	Side begins arch 3-1/2" below top - 34" radius
Metropolitan	22"	30"	
Architectural Series	22-3/4"	29-7/8"	
Discovery	21-9/16"	32"	
Bedford	22-3/4"	34-1/8"	Requires the Bedford DVS EF II Face Upgrade Kit. This lowers the face 1-1/4" - see "Mounting the Bedford Face" on the following page. 2-1/4" Deep, requires 5/8" above for installation

Modifying the Face Connector for Discovery, Rosario, and Artisan Faces

The Discovery, Rosario, and Artisan face require re-positioning of the face connector. See the directions below for details.

Remove the face connector bracket from the heater (on both sides).

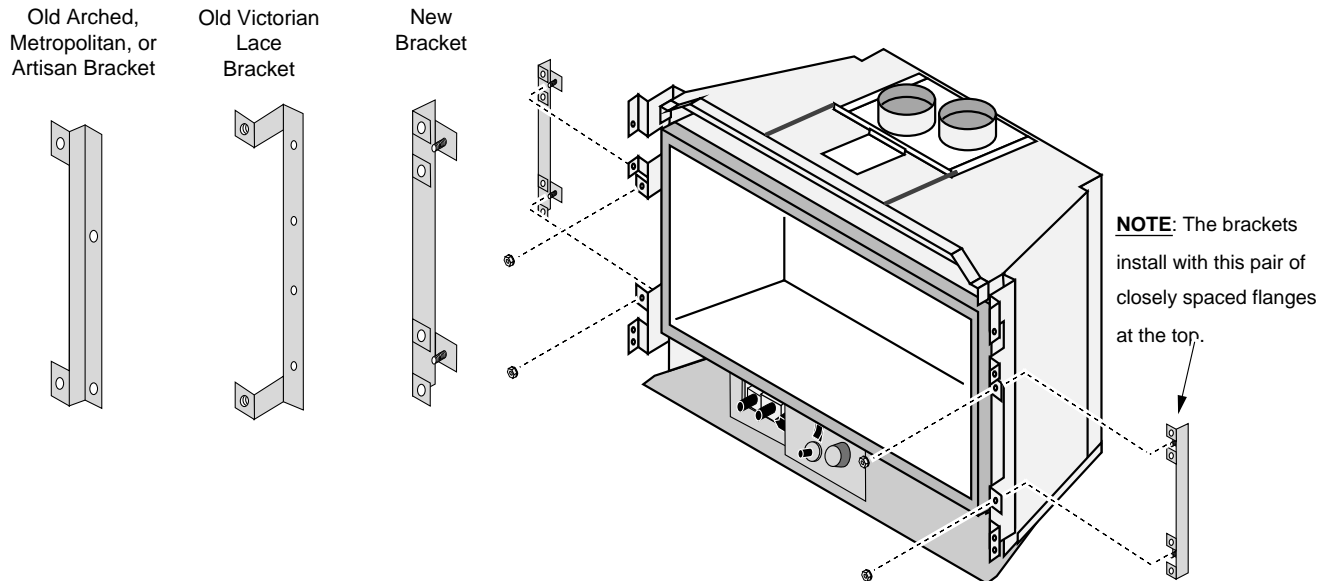
Re-attach the face connector to the heater using the forward mounting holes.



Face Mounting Brackets -- Arched, Metropolitan, Artisan Vict. Lace Faces

Some Arched, Artisan, Metropolitan, and Victorian Lace Faces include old brackets that will not mount to the heater (see illustration below). For these faces, make sure to use the new mounting brackets (either included with the heater or available through your dealer - SKU 225-20055).

WARNING: When attaching the Victorian Lace Face, **do not over-tighten the screws**. Over-tightening the screws may damage the face – simply tighten the screws until they contact the face.

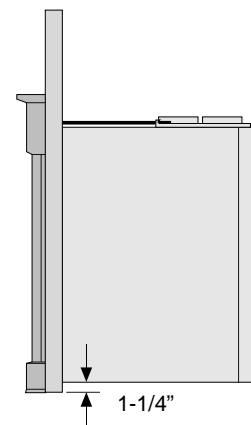


Install the face mounting brackets to the heater with the included nuts.

NOTE: The face attaches to the brackets with the screws included with the face – see the instructions included with the face.

Mounting the Bedford Face

Some Bedford Faces include old brackets that will not mount to the heater. For these faces, make sure to use the new DVS Insert EF II Face Upgrade Kit (either included with the face or available through your dealer - SKU 250-00029). The kit lowers the face and surround panels 1-1/4". This means you must install this with a raised fireplace or raise the insert 1-1/4" above the hearth. To do this you may extend the leveling bolts or place bricks or other non-combustible under the insert.



Gas Line Requirements

MASSACHUSETTS INSTALLATIONS - **WARNING:**

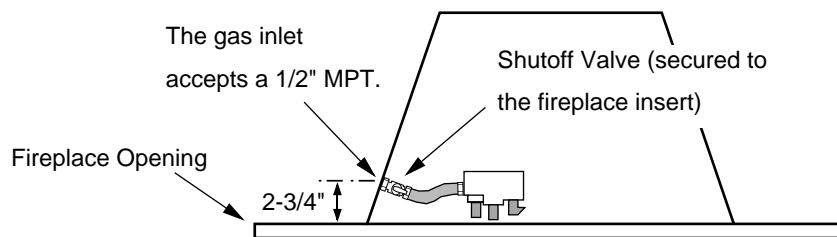
THIS PRODUCT MUST BE INSTALLED BY A LICENSED PLUMBER OR GAS FITTER WHEN INSTALLED WITHIN THE COMMONWEALTH OF MASSACHUSETTS.

OTHER MASSACHUSETTS CODE REQUIREMENTS:

- Flexible connector must not be longer than 36 inches.
- Shutoff valve must be a "T" handle gas cock.
- Only direct vent sealed combustion products are approved for bedrooms or bathrooms.
- Fireplace dampers must be removed or welded in the open position prior to the installation of a fireplace insert or gas log.
- A carbon monoxide (CO) detector is required in the same room as the appliance.

- The gas line must be installed in accordance with all local codes, if any; if not, follow ANSI 223.1 and the requirements listed below.
- A manual shutoff valve is required within 3' of the heater. It should be placed upstream of the flex line (if used) and may be installed behind the access door inside the heater.).
- The heater and gas control valve must be disconnected from the gas supply piping during any pressure testing of that system at test pressures in excess of 1/2 psig. For pressures under 1/2 psig, isolate the gas supply piping by closing the manual shutoff valve.
- Leak test all gas line joints and the gas control valve prior to and after starting the heater.
- This heater is designed either for natural gas or for propane (but not for both). Check the sticker on the top of the gas control valve to make sure the correct fuel is used (see illustration on page 4).
- Installation must be performed by a qualified installer, service agency or the gas supplier (In Massachusetts a licensed plumber/gasfitter).

Gas Line Location



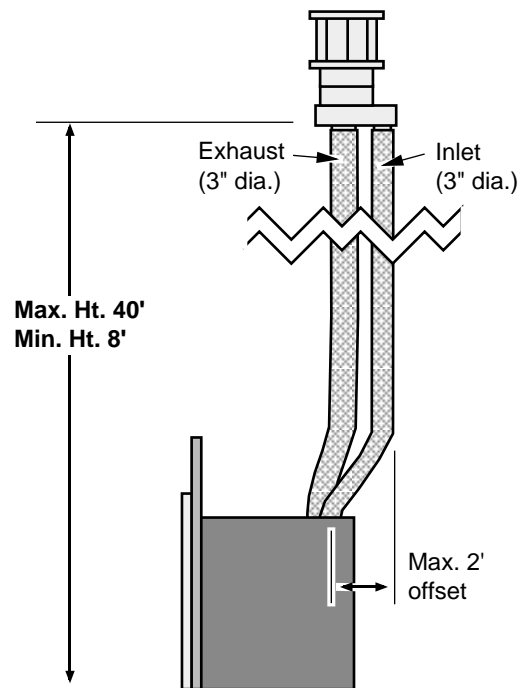
Gas Inlet Pressure

	Standard Input Pressure
Natural Gas	7" W.C. (1.74 kPA)
Propane	13" W.C. (2.73 kPA)

- If the pressure is not sufficient, make sure the piping used is large enough, the supply regulator is adequately adjusted, and the total gas load for the residence does not exceed the amount supplied.
- The supply regulator (the regulator that attaches directly to the residence inlet or to the propane tank) should supply gas at the suggested input pressure listed above. Contact the local gas supplier if the regulator is at an improper pressure.

Vent Requirements

- The gas appliance and vent system must be vented directly to the outside of the building, and never be attached to a chimney serving a separate solid fuel or gas-burning appliance. Each direct vent gas appliance must use its own separate vent system.
- Make sure the exhaust pipe on the heater connects to the exhaust portion of the cap. The illustrations below show how the flex liners should be attached.
- The exhaust vent must reline the entire length of the chimney and terminate above the chimney top
- Be careful not to crimp or rupture the liner when bending it into chimney offsets
- When installed, the vent must meet all of the vent manufacturer's requirements
- Make sure to order the following:
 - 3" UL 441 Gas Liner for Exhaust and Air Inlet
 - 6-5/8" to 3" & 3" Co-Linear Adapter & Flashing (Simpson DuraVent Part # 923GK).
 - Vertical Termination Cap (Dura-Vent pt # 991)



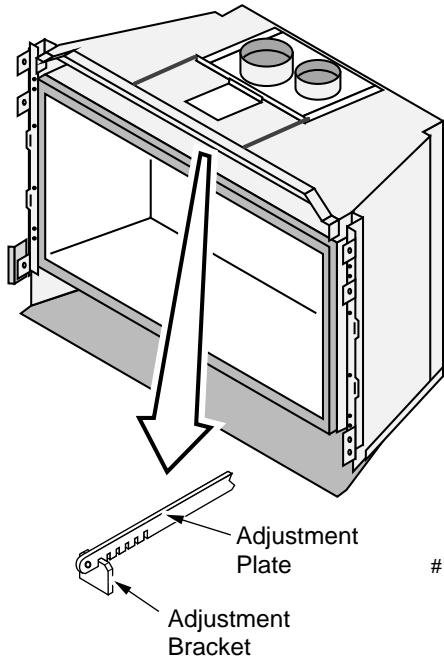
Altitude Considerations

- This heater has been tested at altitudes ranging from sea level to 8,000 feet (2,400 M). In this testing we have found that the heater, with its standard orifice, burns correctly with just an air shutter adjustment.
- Failure to adjust the air shutter properly may lead to improper combustion which can create a safety hazard. Consult your dealer or installer if you suspect an improperly adjusted air shutter.

Vent Restrictor

WARNING: Restrictor adjustment should only be done by a qualified installer.

Only those installations determined to be over-drafting require this adjustment. The best indication of over-drafting is a hyper-active flame pattern (flames that move too quickly). If the air shutter is constricted, the flames become short and yellow, yet still very active. Over-drafting may affect the pilot, but this is not the best way to determine over-drafting. Over-drafting is most likely in tall venting configurations (especially if using an "Exhaust Only Re-Line"). Do not over-restrict the vent (this leads to ghosting or lifting flames - reduce restrictor setting).



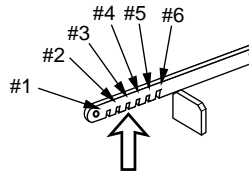
To Access the Restrictor:

Remove the face.

WARNING: Use a glove to protect your hand from burns.

To Adjust the Restrictor:

- 1 Determine a restrictor position. Start low (move the restrictor a maximum two positions at a time) and thoroughly test the heater before adjusting further.
- 2 Lift up the adjustment plate and move it so the correct notch falls into the slot on the adjustment bracket.

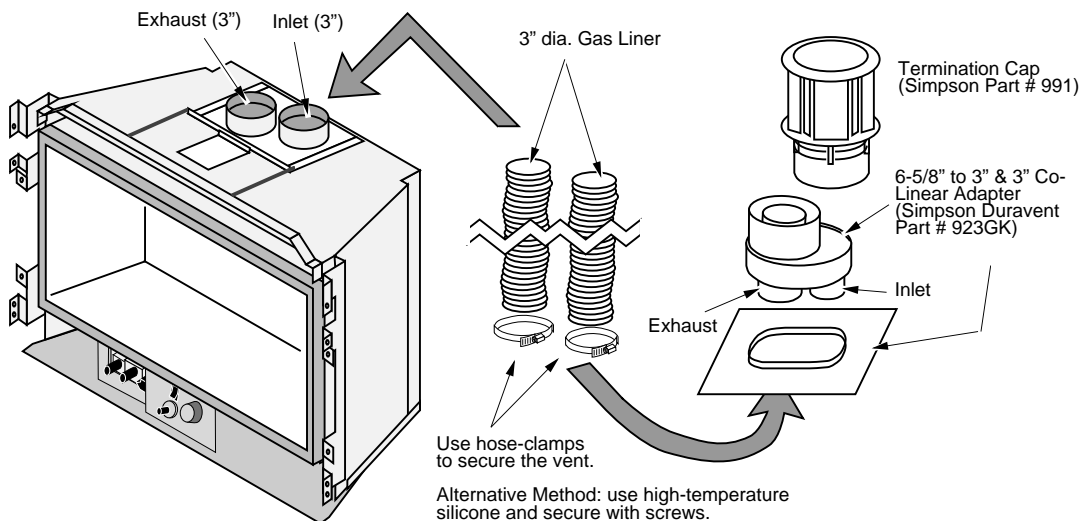


This restrictor is in position 1 (factory setting).

To adjust, lift up on the adjustment plate and push it back (use pliers if necessary).

This restrictor is in position 2.

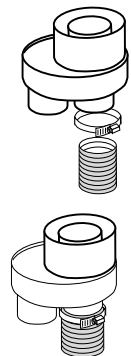
Vent Installation



Use hose-clamps to secure the vent.

Alternative Method: use high-temperature silicone and secure with screws.

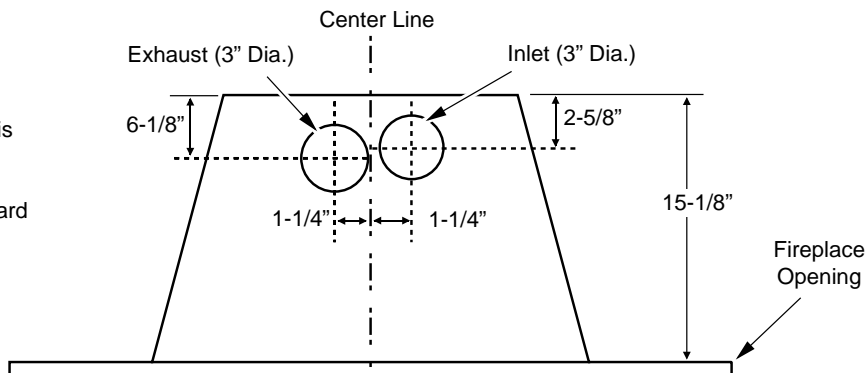
Use hose-clamps to secure the vent.
Alternative Method: use high-temperature silicone and secure with screws.



Vent Location

- A vent restrictor is built into the appliance to adjust the flow rate of exhaust gases. This ensures proper combustion for all vent configurations. Depending upon the vent configuration, you may be required to adjust the restrictor position. The charts for acceptable vent configurations detail the correct vent restrictor position.

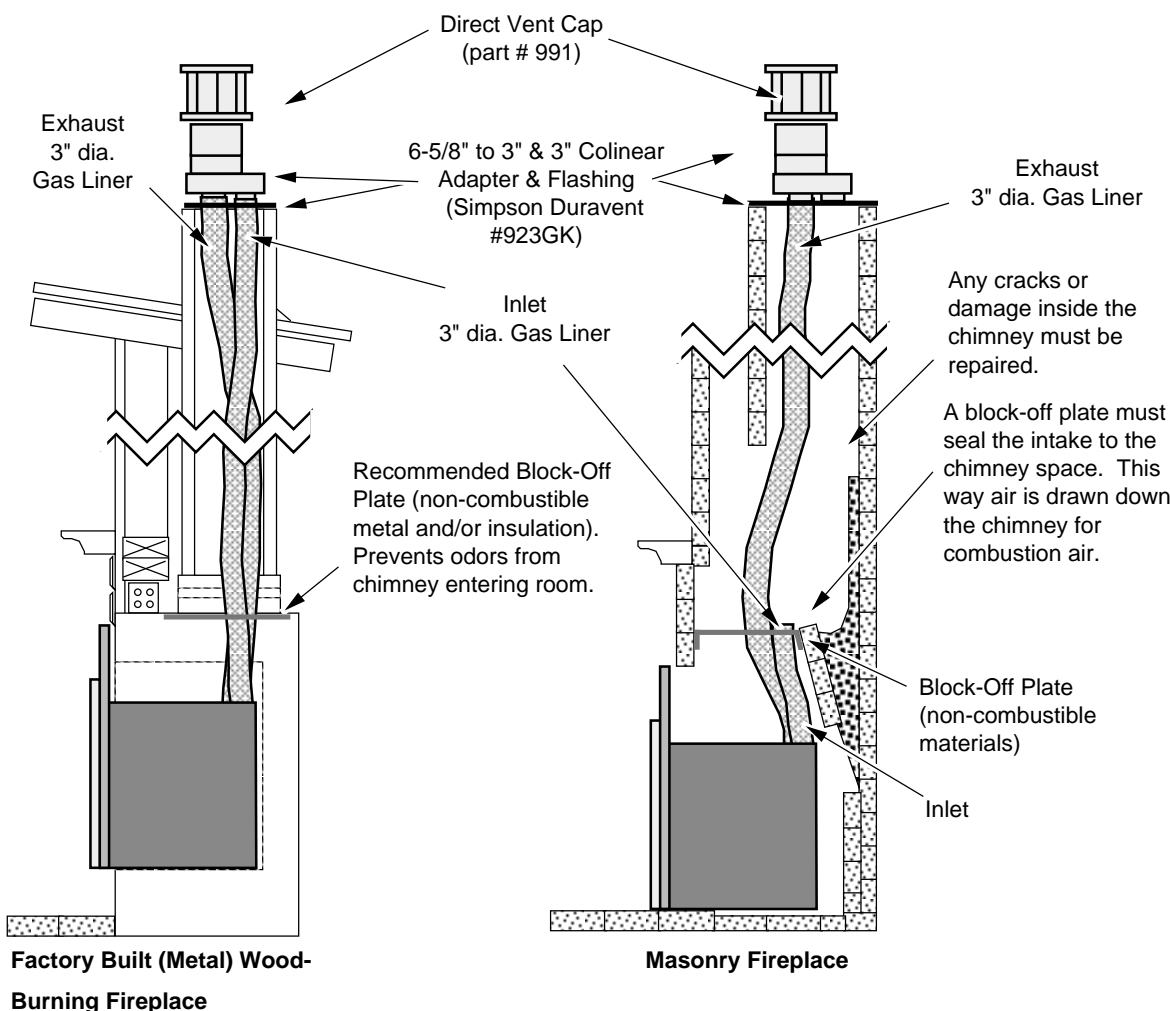
NOTE: Vent location changes based upon restrictor position. Position # 1 is shown to the right. Each restrictor position moves the vent location forward (toward the fireplace opening) approximately 1/4".



Vent Configurations

Inlet & Exhaust Re-Line

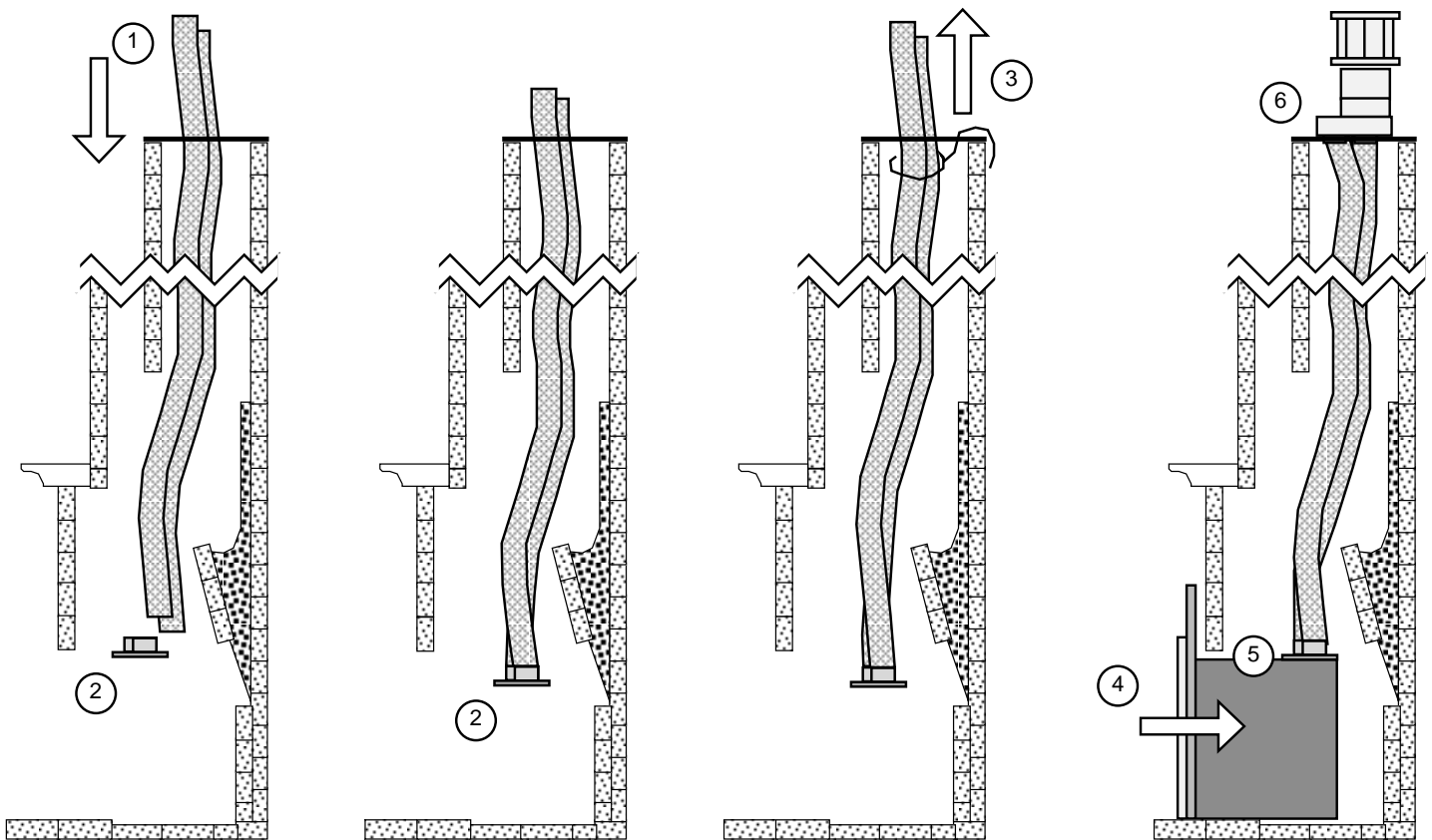
Exhaust Only Re-Line



NOTE: You may use either re-line configuration with a masonry or zero-clearance fireplace.

Vent Connector Removal and Installation

- The vent connector is shipped attached to the insert, but may be removed to facilitate tight installations. See the directions below for installation.
1. Route the flex vent through the chimney from above (leave an extra 3' at the top). Make sure the flex is thoroughly stretched.
 2. Remove the vent connector and attach it to the flex vent (see the instructions on the following page). NOTE: be careful of the anti-seize on the connector – it will stain clothing, etc.
 3. Pull on the flex vent until the vent connector is at the same height as the insert. Temporarily attach the flex vent to the top of the chimney (leave extra slack).
 4. Slide the insert into place, guiding the vent connector into the guides on top of the insert.
 5. Attach the vent connector to the appliance (see the following page for details).
 6. Remove any excess slack in the flex line and attach the vent termination.

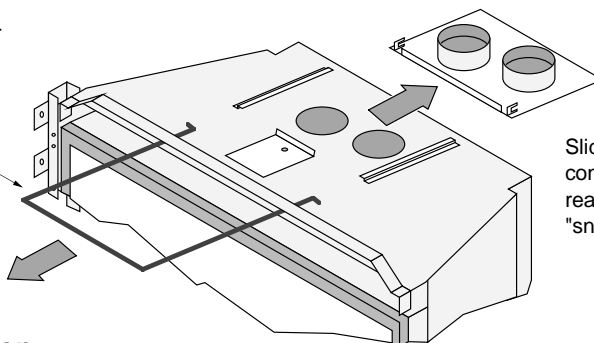


Vent Connector Removal and Installation (continued)

Vent Connector Removal

Pull the vent connector rod forward.

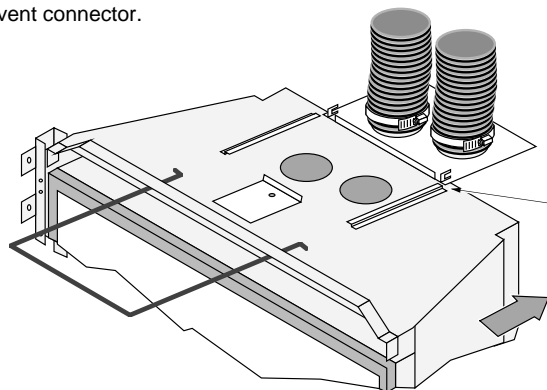
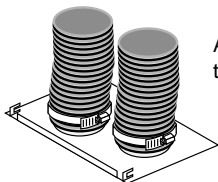
WARNING: The anti-seize on the vent connector can stain clothing, carpets, or other items.



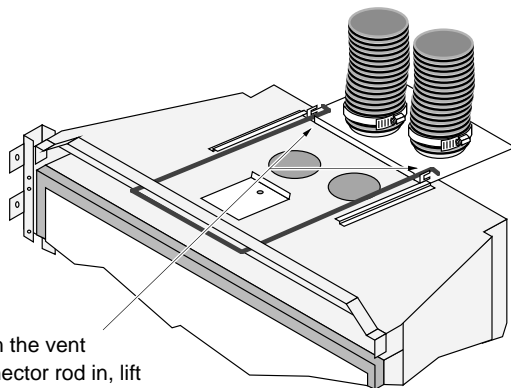
Slide the connector to the rear. It will "snap" out.

Vent Connector Installation

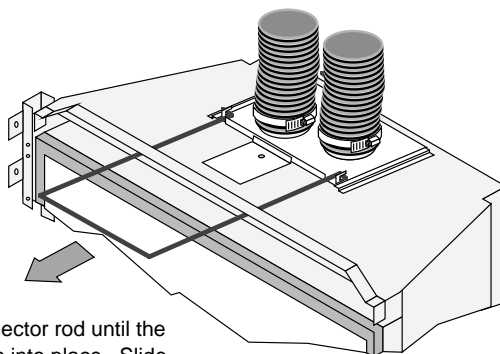
Attach the flex vent to the vent connector.



Slide the insert into place, lining up these guides with the edges of the vent connector.



Push the vent connector rod in, lift slightly, and line it up so the tabs on the end of the rod engage the hooks on the vent connector

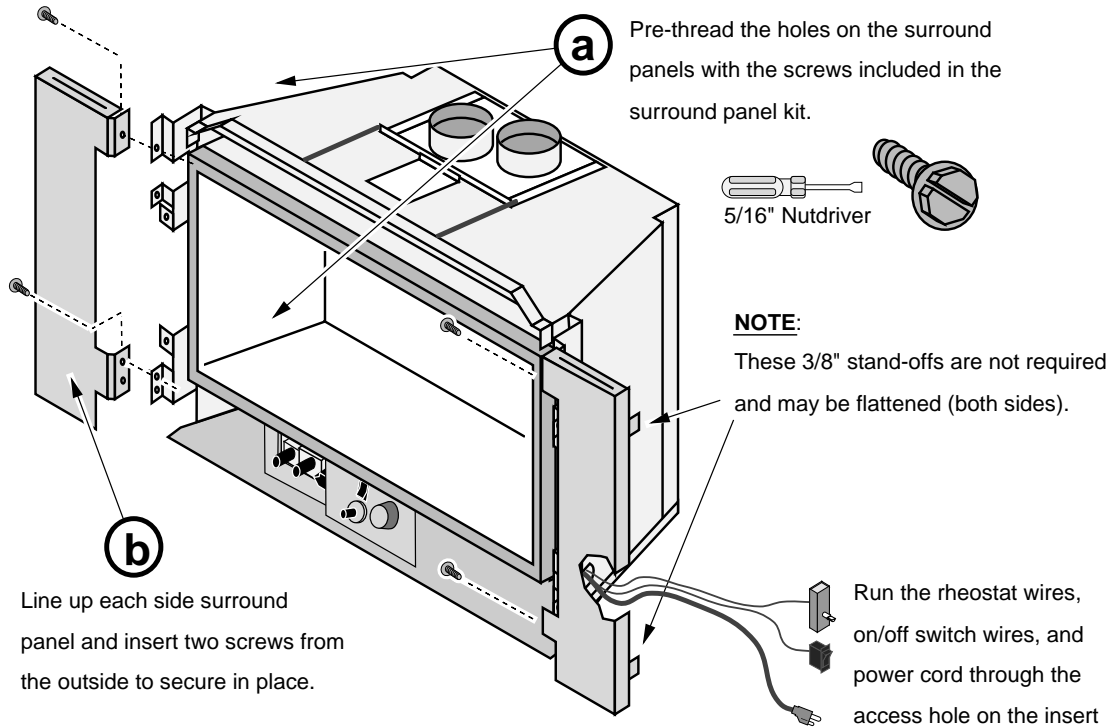


Pull on the vent connector rod until the vent connector snaps into place. Slide the vent connector rod in to conceal it.

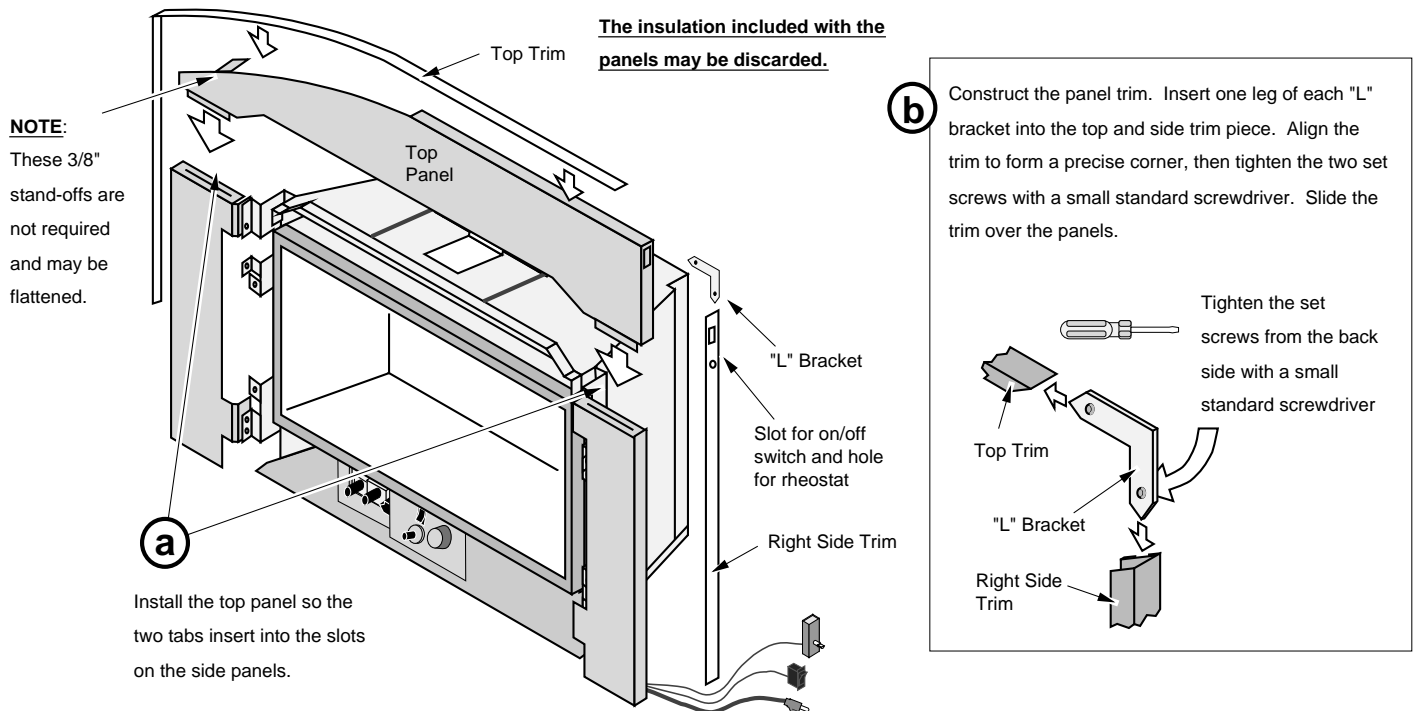
Surround Panel Installation

PANEL SIZE	WIDTH	HEIGHT	PART #
8" x 10" Rectangular	40-3/8"	28-7/8"	98500610
Arched (8" x 10")	40-3/8"	28-7/8"	98500622
10" x 13" Rectangular	44-3/8"	31-7/8"	98500611

1 Follow the directions below to install the side panels.

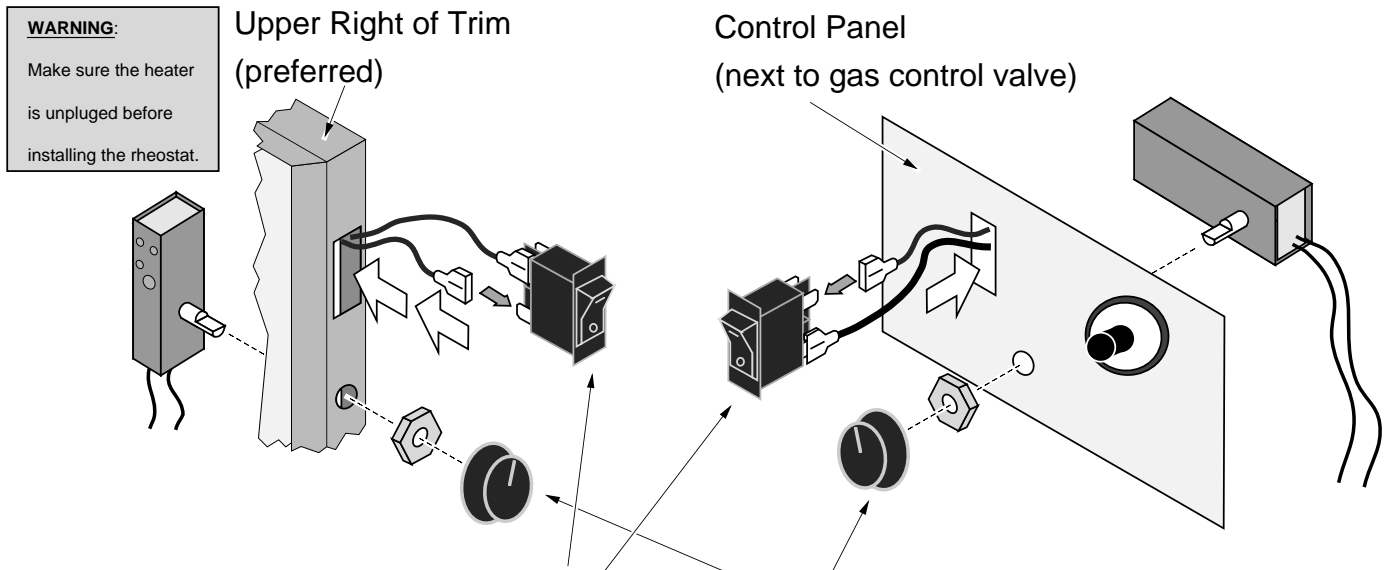


2 Follow the directions below to install the top panel.



Installation of the On/Off Switch and Rheostat

The on/off switch and rheostat may be installed in either the surround panels or control panel. See the illustration below for installation details.



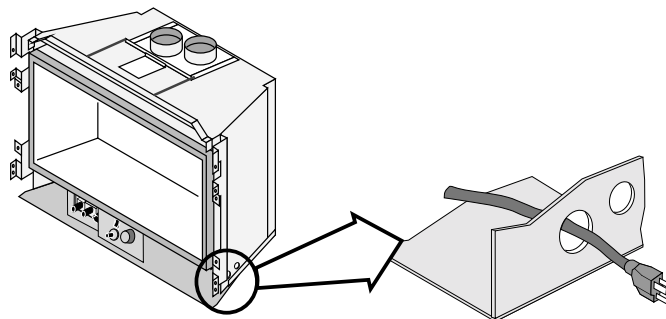
- a** Disconnect the red and brown wires leading to the on/off switch. Insert the wires through the rectangular mounting hole (on the surround panel or control panel) and attach to the on/off switch. The wires must attach to the top and bottom posts on one side of the switch - it does not matter which wire is on top. Press the switch into the rectangular hole until it locks into place.
- b** Remove the knob and nut from the rheostat. Insert the shaft on the rheostat through the circular hole (on the surround panel or control panel). Secure with the nut. Replace the knob.
- c** Make sure the wires do not contact the burner pan or other hot surfaces (secure with lock ties if necessary).

Installation Without Surround Panels

The insert may be installed without surround panels. Mount the on/off switch and rheostat to the control panel under the burner pan (see "Installation of the On/Off Switch and Rheostat" on page 20).

Electrical Connection

- Route the power cord out of the access hole on the right side of the appliance.
- Plug the power cord into a grounded 120 Volt outlet (do not remove the grounding pin).
- The electrical connection may also be made using the optional Wiring Kit (SKU 97200315).

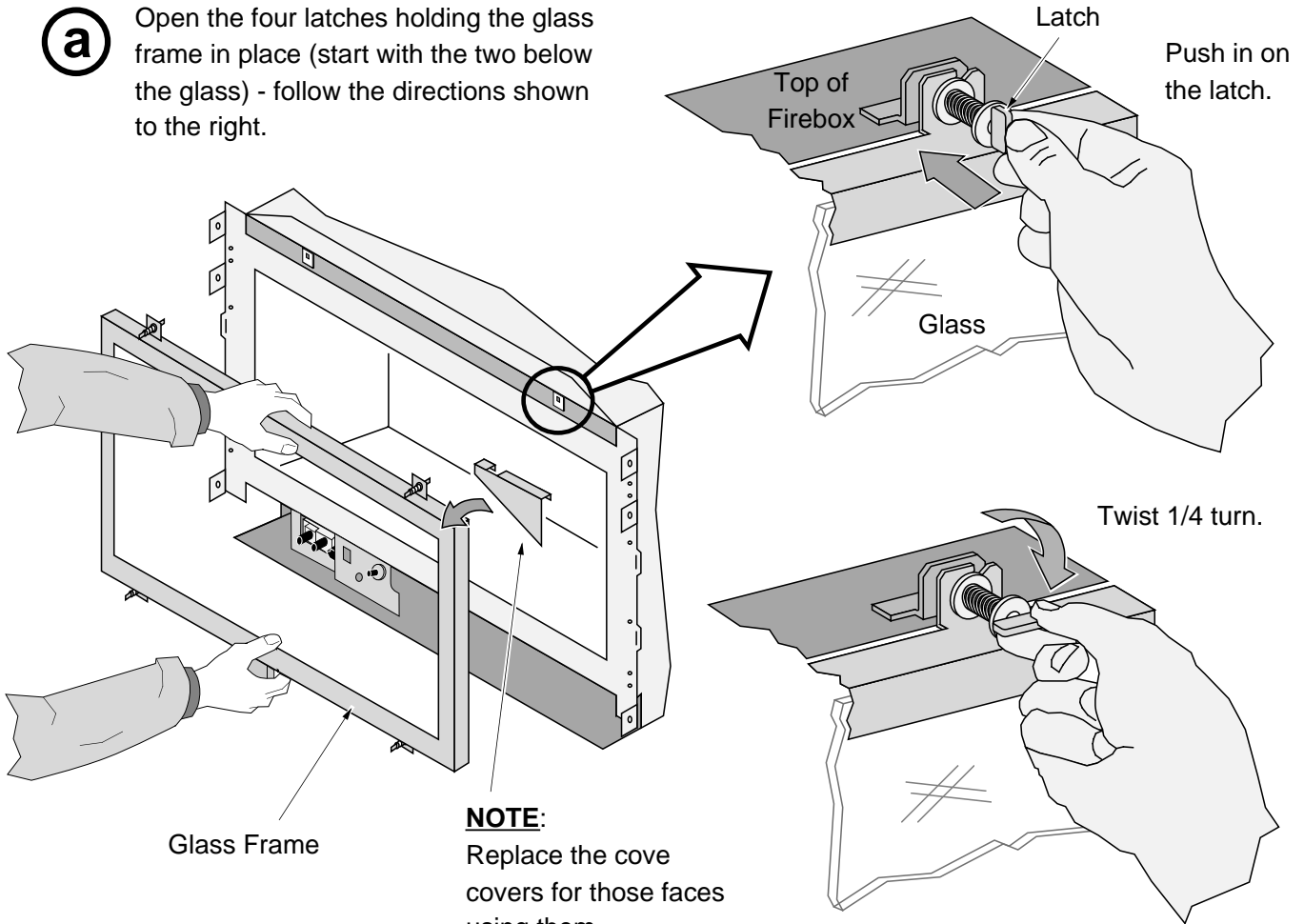


Glass Frame Removal and Installation

Warning: The appliance must be completely cool before removing the glass.

Warning: Do not strike or slam the glass.

- a** Open the four latches holding the glass frame in place (start with the two below the glass) - follow the directions shown to the right.

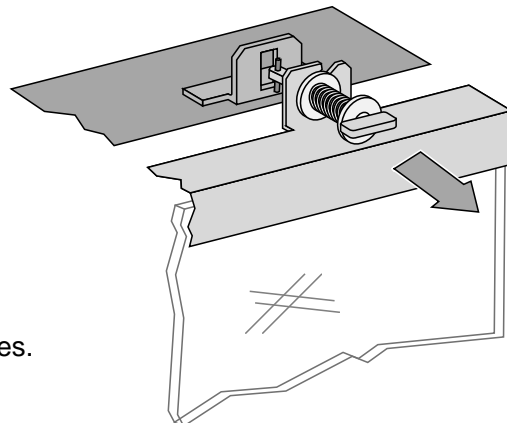


- b** Lift the glass frame up and pull it forward to remove. **NOTE:** You may need to lift the glass frame while re-attaching.

The latch will then disengage from the latch bracket.

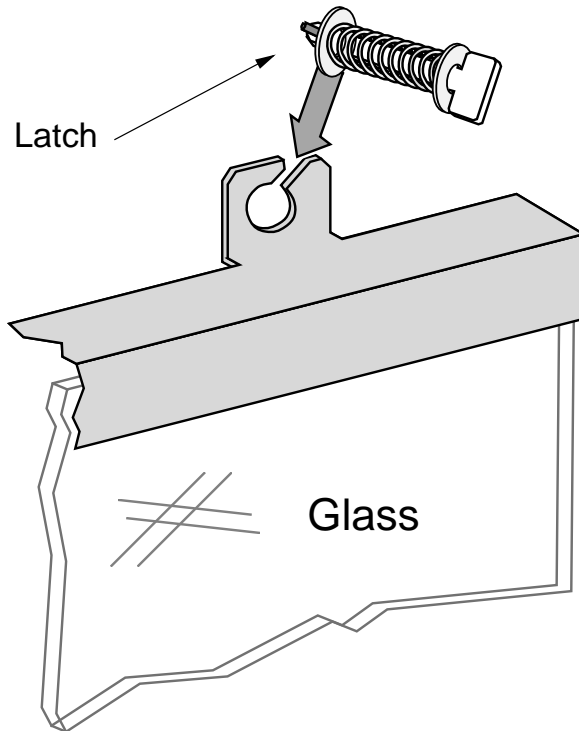
Re-Attaching the Glass Frame:

- Hang the glass frame on the firebox.
- While holding in place, attach the upper latches (follow the instructions to the right in reverse).
- Lift the glass frame slightly and attach the lower latches.

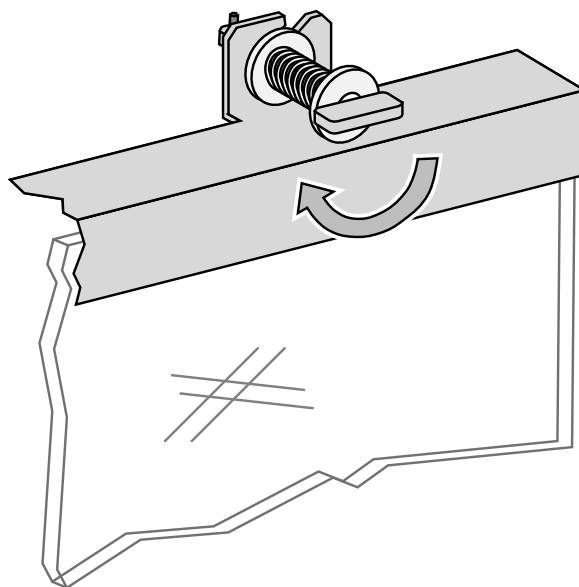


Glass Frame Removal and Installation (continued)

The glass latch can come loose from the glass frame. This occurs when the latch is turned 1/8 turn when disengaged from the unit. Follow the directions below to re-install the latch if it comes loose.

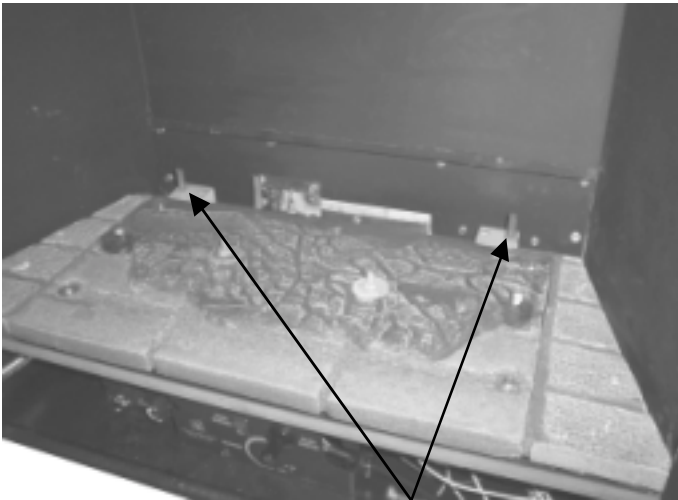


Hold the latch at an angle and insert it into the slot on the glass frame. Note how the washer fits in front of the flange on the glass frame. You will need to push slightly to get the latch to insert.



Once fully inserted, turn the latch until it is level.

Log Set Installation

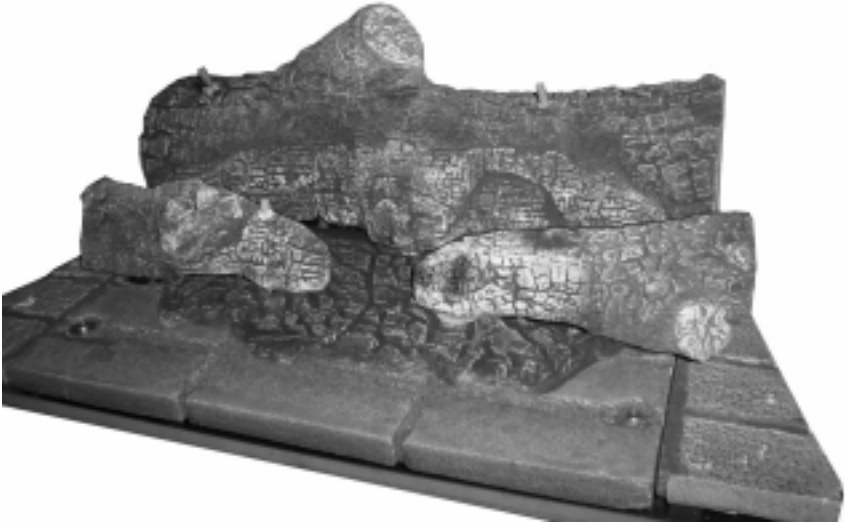


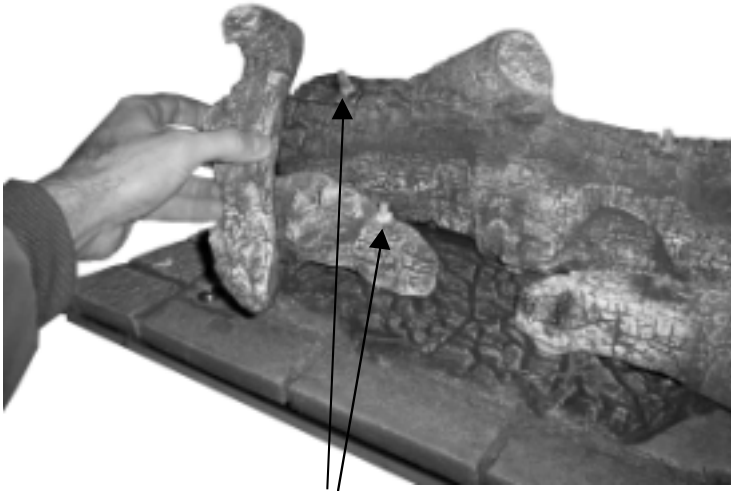
Install the rear log. The two pins install into holes on the log.



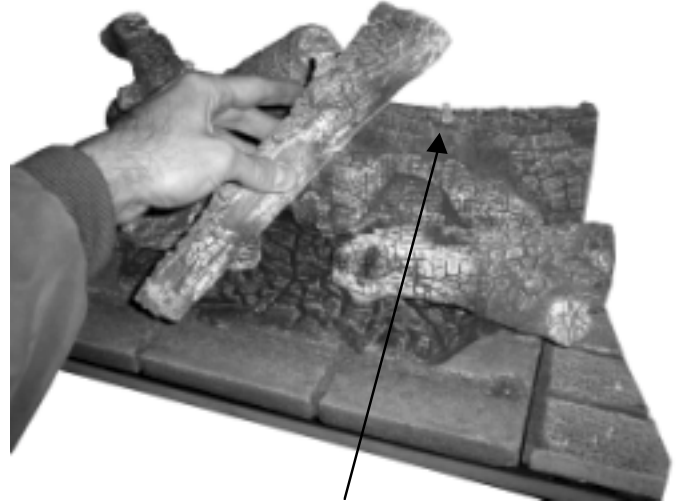
Install the left log. This pin & bolt insert into holes in the bottom of the log. The right log installs the same way.

When in place,
the logs look like
this.





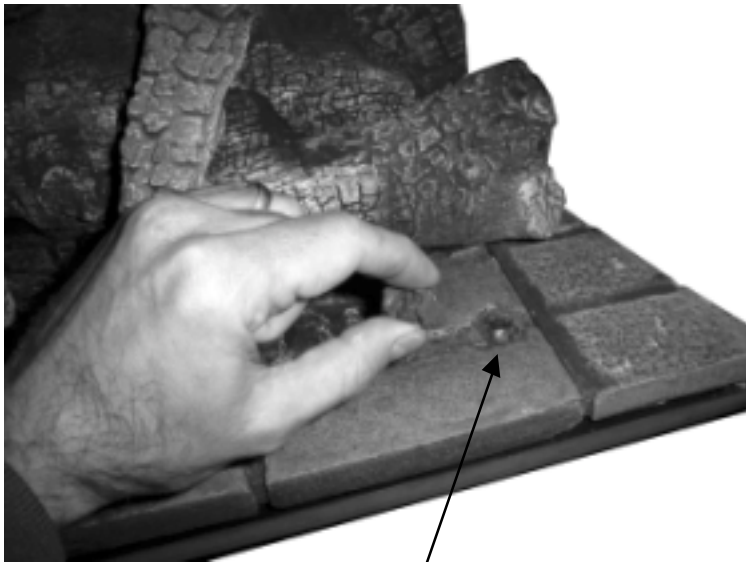
These 2 pins install into holes in the bottom of the left twig.



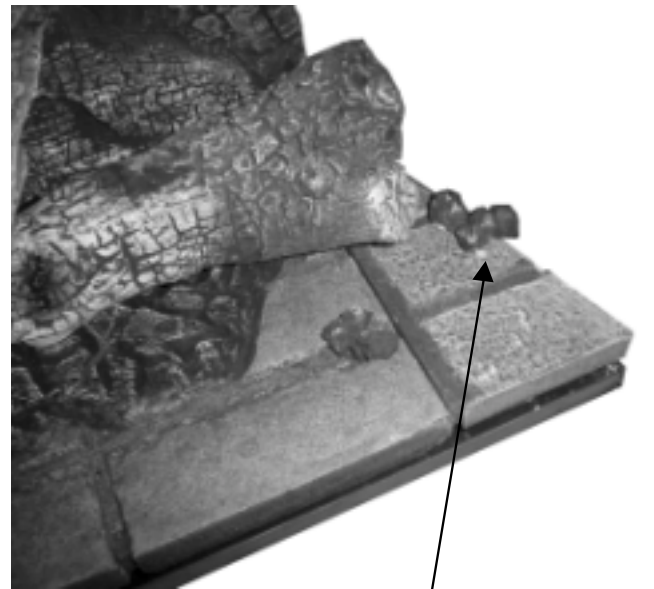
The right twig installs over this pin.



When in place, the log set should look like the pictures above.



Use a kibble to cover any exposed screws. You may wish to flatten the kibble to provide better coverage.



Place other kibbles around the burner as needed (do not cover any burner holes).

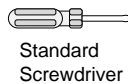
Steps for Finalizing the Installation

1. Remove the glass (see page 21).
NOTE: If using propane (LP) convert the appliance prior to installing the logs.
2. We recommend you purge the gas line at this time (with the glass removed). This allows gas to be detected once it enters the firebox, ensuring gas does not build up.
3. Turn on gas to the heater. Leak test all gas joints prior to starting the appliance. Start the pilot. Start the main burner. Leak test all gas joints again.
4. Check the pilot flame following the directions below.

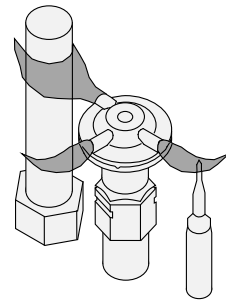
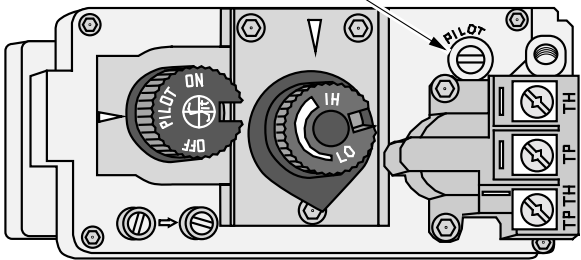
Pilot Flame Inspection

The pilot flame should look like the illustration below. Adjust the pilot flame if necessary.

To adjust the pilot flame, turn this screw. Clockwise lowers the flame while counter-clockwise raises it.



The pilot flame must contact the thermocouple and thermopile (see the illustration below). Adjust the pilot up or down as necessary.



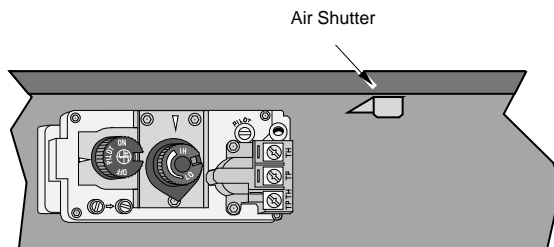
5. Install the logs (see page 23).
6. Replace the glass.
7. Check the air shutter following the directions below.

Air Shutter Adjustment

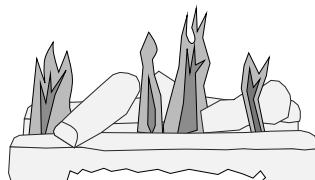
Let the heater burn for fifteen minutes (make sure the logs and glass are in place). The flames should look like the illustration below. Adjust the air shutter, if necessary, to achieve the correct looking flame.

Move the controls left or right until the flame looks correct. Pushing to the right gives the flame more air, making it more blue. Pushing to the left gives the flame less air, making it more orange.

NOTE: If the air control is all the way open, yet the flames remain sooty, shut off gas to the fireplace and contact a qualified gas service technician.

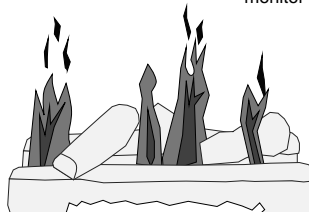


NOTE: The logs must be installed correctly to monitor the flame while adjusting the air shutter.



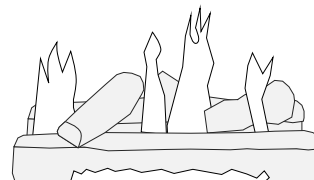
Correct

Flames should be blue at the base, yellow-orange on the top.



Not Enough Air

If the flames are over 14" tall or sooty on the ends, open the air shutter.



Too Much Air

If the flames are all blue and short, close the air shutter.

FINE TUNING THE EMBER-FYRE™ BURNER

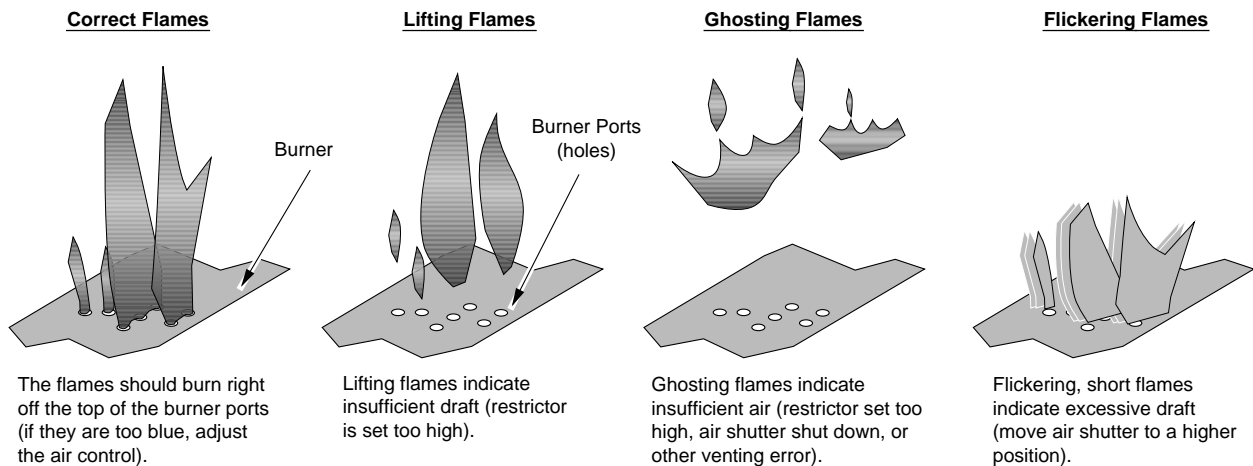
Each installation is affected by altitude, vent configuration, and fuel quality. Because of this, the restrictor and air shutter may need to be fine tuned to each installation. Follow the hints below to fine-tune the burner for optimum performance and aesthetics.

Restrictor Adjustment:

Only those installations determined to be over-drafting require this adjustment. See the instructions on page 15 for details.

Air Shutter Hints:

- For more glow, open the air shutter, however, this will make the flames more blue.
- For yellow flames, close the air shutter, however, this may create less glow.



Warning: If the vent configuration is installed incorrectly the vent may cause the flames inside the heater to lift or “ghost” – a dangerous situation. Inspect the flames after installation to insure proper performance. If the vent configuration is correct, yet the flames are lifting or ghosting, shut off gas to the heater and contact the dealer for information on remedying the problem.

8. Replace the glass.
9. Attach the face following the directions included with the face.

NOTE: If using a Rosario or Discovery face you may wish to modify the face connector (see page 11 for details).

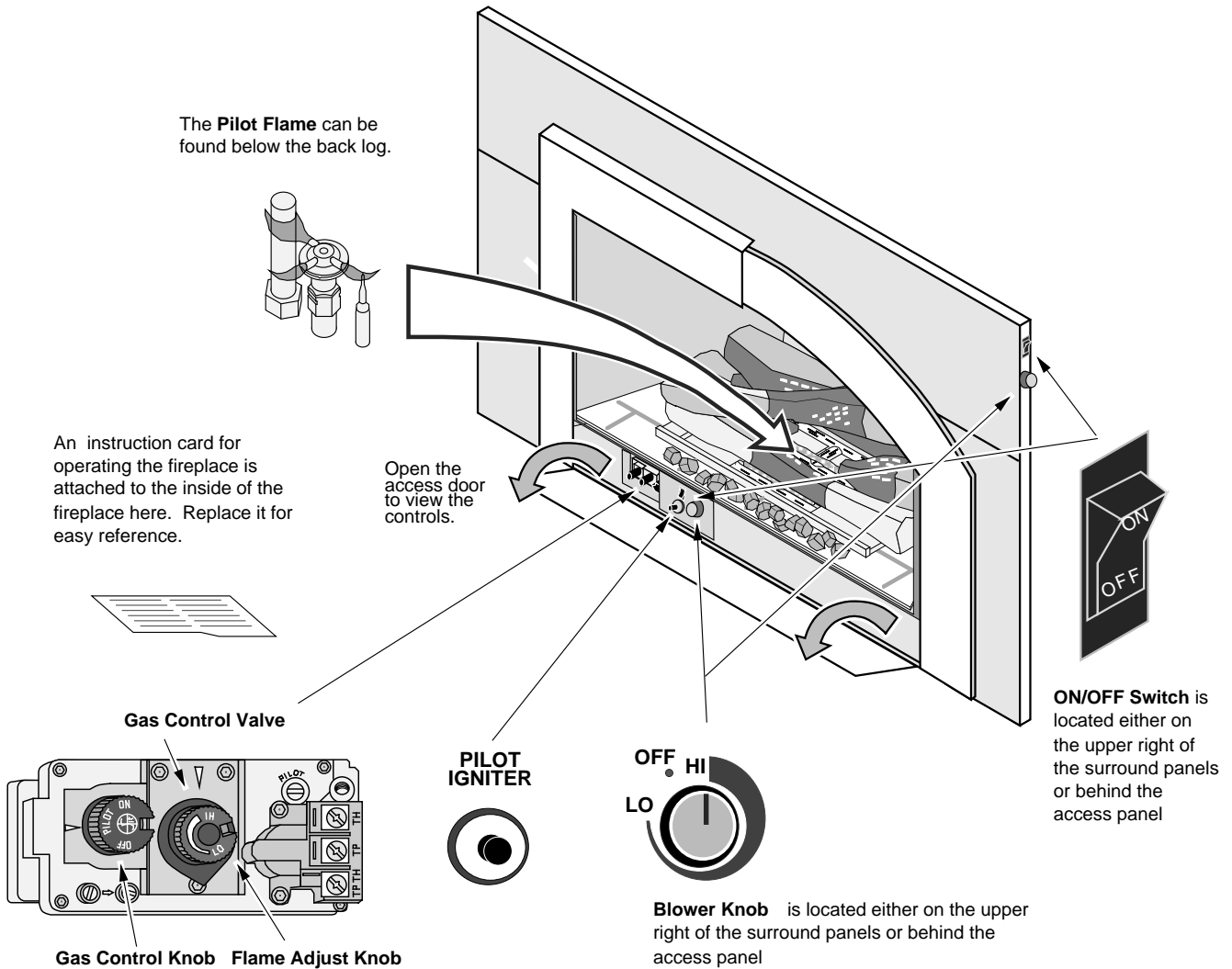
NOTE: If using the Arched, Artisan, Metropolitan, or Victorian Lace Face you must use the face mounting brackets included with the heater (see page 12 for details).

10. Turn the flame adjust knob to its highest position - the flames should not contact the top of the firebox. Check the flame on low position. The flames should burn off of each burner hole. If the heater does not work correctly, contact your dealer for a remedy.
11. Give this manual to the home owner and fully explain the operation of this heater.

Before You Begin

- Read this entire manual before you use your new heater (especially the section "Safety Precautions" on pages 4 & 5). Failure to follow the instructions may result in property damage, bodily injury, or even death.

Location of Controls



- Blower Knob** This knob controls the speed of the internal convection blower that pushes the heated air into the room.
- On/Off Switch** This control is used to turn the heater on and off.
- Pilot Igniter** The pilot igniter is used only to start the pilot. When pressed, it sends an electrical charge to the pilot assembly. This creates a blue spark directly next to the pilot, igniting the pilot flame.
- Gas Control Knob** This knob is used to control gas to the heater and for starting the pilot. There are three positions, ON, OFF, & PILOT. The pointer to the left of the knob indicates the position this knob is in.
- Flame Adjust Knob** This knob controls the flame height from low ("LO") to high ("HI"). The pointer above the knob points to the position this knob is in.

Starting The Pilot Flame

The pilot flame is required to ignite the main burners (it also plays a safety role). It should be left on once lit. It will stay lit unless the gas control valve is turned to "OFF". However, the pilot will go out if the gas is shut off, the propane tank runs out (or low) or if the stove malfunctions. If the pilot turns off frequently, call your dealer for information. To start the pilot follow the directions below:

WARNING:

When lighting or re-lighting the pilot, the glass must be removed (see page 21).

- a Remove the glass (see page 21 for details).
- b Push the gas control knob in slightly and turn it to the "OFF" position. The knob will not turn from "ON" to "OFF" unless the knob is depressed slightly. Wait five minutes to let any gas that may have accumulated inside the firebox escape. If you smell leaking gas, follow the directions on the cover "IF YOU SMELL GAS".
- c Turn the gas control knob to the "PILOT" position and press the knob in, this will allow gas to flow to the pilot light. Press the button on the pilot igniter repeatedly until you see the pilot light.

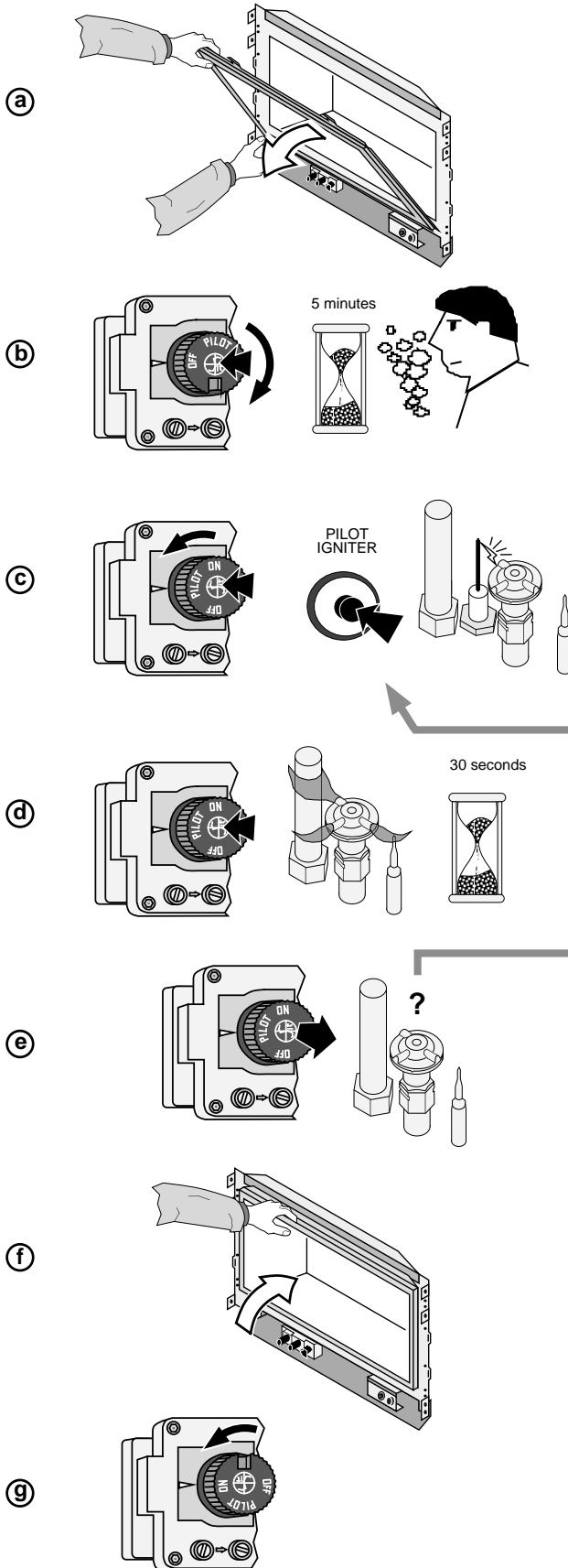
WARNING:

If the pilot does not light after 15 seconds, release the knob and call your dealer for service. Do not attempt to light pilot until service has been performed.

NOTE:

You may wish to remove the log set to gain a better view of the pilot (see page 23).

- d Keep the gas control knob depressed for 30 seconds once it is lit.
- e Release the gas control knob. If the pilot goes out, repeat step C. If the pilot refuses to stay lit, call your dealer for service. With the pilot lit, proceed to step "f".
- f Replace the glass.
- g Turn the gas control knob counter-clockwise to "ON". The pilot is now lit and the heater can be turned on and off.

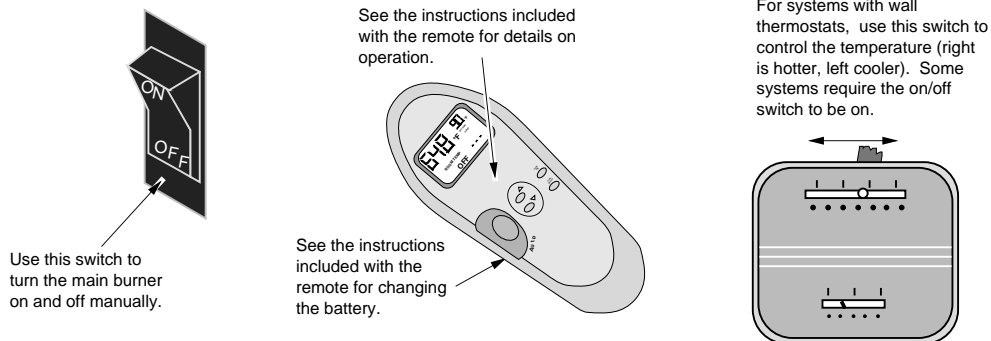


Starting the Heater for the First Time

- Burn the heater at a high setting with the blower off for an extended period (up to 48 hours). This will cure the painted surfaces. **Fumes** from the paint curing and oil burning off the steel will occur. This is normal. We recommend opening a window to vent the room.
- **Condensation** may appear on the glass each time you start the heater - this is normal.
- **Blue Flames** will occur on the heater when it first comes on. After fifteen minutes the flames will turn a more realistic yellow and orange color.
- Certain installations use a remote "wall switch" to turn the heater on and off. If this is the case, leave the ON/OFF switch "ON".

Turning the Heater On and Off

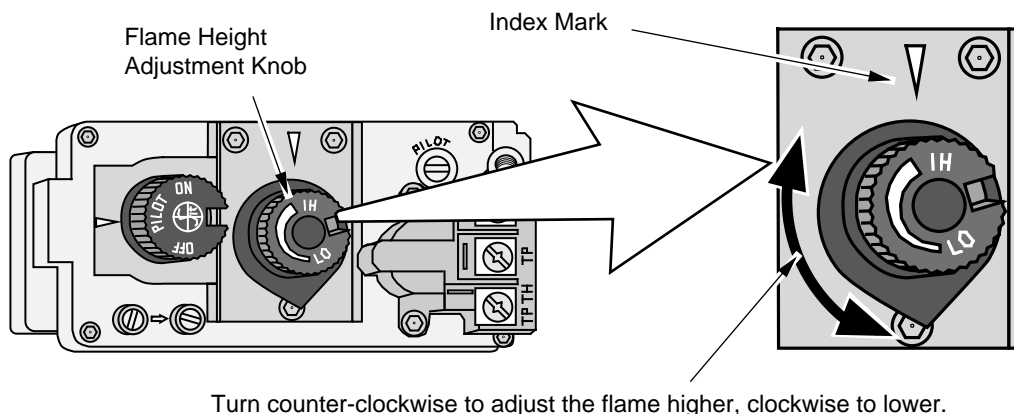
After the pilot has been started...



- Do not place any combustable items on top of or directly in front of the heater, even temporarily. The optional thermostat may start the heater causing a combustable item to ignite.
- If the heater turns on and off frequently while using the thermostat, you may want to adjust the flame height down until it produces just enough heat needed.

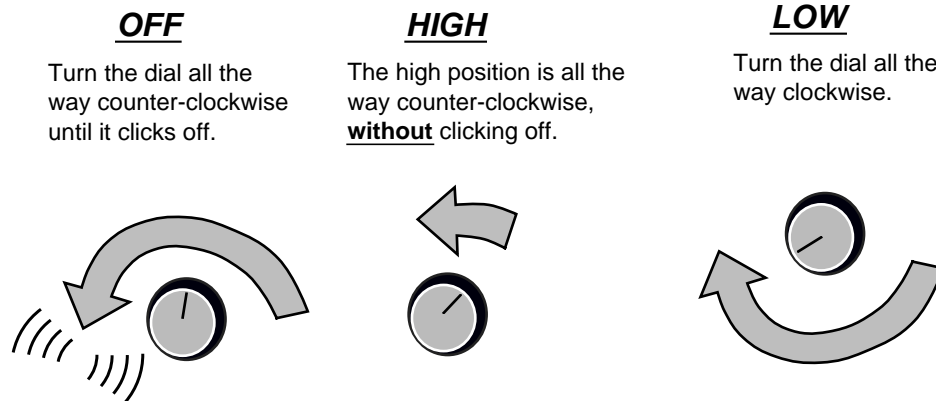
Adjusting the Flame Height

- Your heater has an adjustable flame to tailor the look and heat output to your specific needs. It is adjusted by turning the middle dial on the gas control valve.



Adjusting the Blower Speed

The blower helps transfer heat from the heater into the room. It will not turn on until the heater is up to temperature (approximately 10 minutes after starting). See the illustration below for instructions on adjusting the blower speed.



Normal Operating Sounds

Pilot Flame

The pilot flame, which remains on, makes a very slight "whisper" sound.

Blower

This heater uses a blower to push heated air into the room. You will hear the sound of air movement that increases as the speed is increased.

The appliance will creak with change of temperature.

Extinction Pops

It is not unusual, especially on Propane (LP) appliances, to experience a "pop" when the burner is shut off.

Gas Control Valve

As the gas control valve is turned on and off you will hear a dull clicking sound. This is the valve opening up and shutting down.

Blower Snap Disk

This part can produce a clicking sound as it turns the blower on and off.

Normal Operating Odors

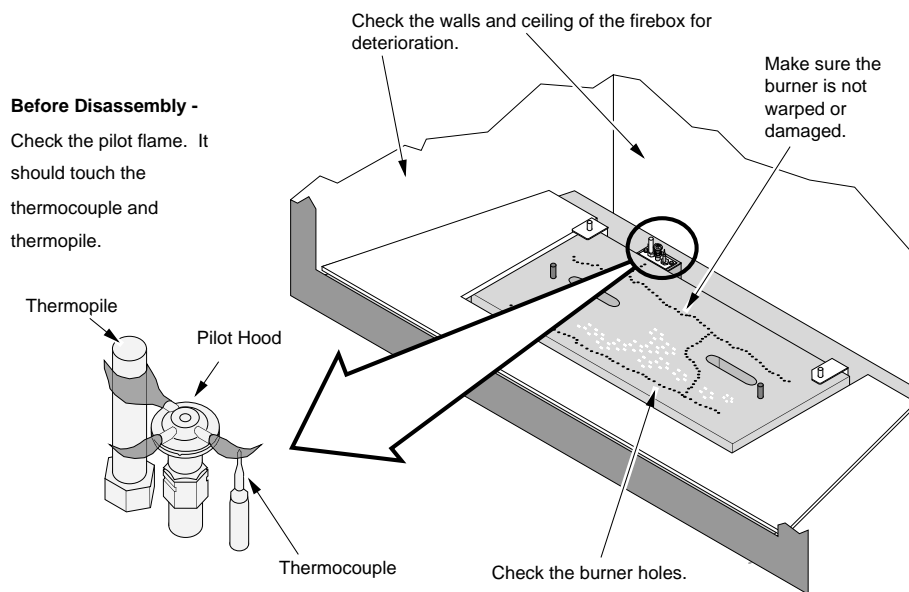
This appliance has several areas that reach high temperatures. Dust or other particles on these areas may burn and create an odor. This is normal during start-up. You may notice the smell is more acute if the appliance was left idle for a long period.

Maintaining Your Heater's Appearance

Fingerprints or other marks left on the optional plated surface may become etched in place if they are not wiped clean prior to turning the heater on. Clean the plated surfaces with denatured alcohol and a soft cloth (with the heater cool). Other cleaners may leave a film that may become etched into the surface.

Yearly Service Procedure

- Failure to inspect and maintain the heater may lead to improper combustion and a potentially dangerous situation. We recommend the following procedures be done by a qualified technician.
1. Check the pilot flame. It should touch approximately 3/8" of the top of the thermopile and touch the top of the thermocouple (see illustration below). If it does not, contact your dealer for service.
 2. Shut off gas to the heater by turning the gas control knob to "OFF" (see step A under "Starting the Pilot" on page 28). Let the heater cool for 15 minutes. Remove the face (see the instructions included with the face) and glass (see page 21).
 3. Remove the log set (**NOTE: the logs are very fragile** - see page 23). If severely deteriorated, replace. Check the logs for sooting. A small amount of soot along the bottom of the logs is normal. If excessive sooting is found, the heater will require adjustment. Contact your dealer.
 4. Clean the burner (especially the burner holes) and inspect the following:
 - Make sure the burner is not warped, cracked, or damaged.
 - Check the firebox and area around the pilot to make sure there is no warping or damage.
 - If any problem is found, discontinue use and contact your dealer for service.



5. Replace the log set. Clean and replace the glass (use non-abrasive cleaner - if damaged, replace). Make sure the gasket along the perimeter of the glass contacts the face of the firebox and forms an air-tight seal. If it does not, re-align or replace the gasket to insure an air-tight seal. Replace the faceplate.
6. Inspect the area behind the access door. Check the gas control valve and the gas lines. If damage is found, discontinue use and contact your dealer for service. Clean the air channels, ducts, and the area around the blower.
7. Start the pilot and turn on the main burner. The flames should be orange/yellow and not touch the top of the firebox. If the pilot or main burners do not burn correctly, contact your dealer for service. Monitor the blower operation.
8. Remove any debris or vegetation near the vent termination. Contact your dealer if any sooting or deterioration is found near the vent termination.

Troubleshooting Table

Problem:	Possible Cause:	Don't Call for Service Until You:
Pilot Will Not Light	A gas shut off valve is turned off..... The gas control knob isn't turned to "PILOT"..... The valve control knob isn't pushed in..... The igniter wasn't pressed repeatedly..... No Propane in Tank.....	Check all gas shut off valves See "Starting the Pilot Light" Step C See "Starting the Pilot Light" Step C See "Starting the Pilot Light" Step C Check Tank Level
Main Burners Will Not Start	The pilot light has gone out..... The gas control valve is turned to "PILOT" or "OFF" The ON/OFF switch is turned to "OFF"..... The remote control is not working correctly..... The thermostat is disconnected or set too low,...	See "Starting the Pilot Light" See "Starting the Pilot Light" Turn the ON/OFF switch to "ON" See the remote control instructions See "Thermostat Operation"
Remote Control Does Not Work	The pilot light has gone out..... The gas control valve is turned to "PILOT" or "OFF" The ON/OFF switch is turned to "OFF"..... The remote is too far away from the heater..... The remote control receiver is turned "Off"..... One of the two remote control batteries is dead_	See "Starting the Pilot Light" See "Starting the Pilot Light" Turn the ON/OFF switch to "ON" Use the remote closer to the heater See the remote control instructions See the remote control instructions
Thermostat Does Not Work	The pilot light has gone out..... The gas control valve is turned to "PILOT" or "OFF" The ON/OFF switch is turned to "OFF"..... The thermostat is set too low.....	See "Starting the Pilot Light" See "Starting the Pilot Light" Turn the ON/OFF switch to "ON" See "Thermostat Operation"
Heater Will Not Distribute Heat	The heater is not getting electricity..... The heater is not up to temperature.....	Check the breaker switch See "Operating Your Heater"
Pilot Goes Out Intermittently	The gas supply has been shut off.....	Keep the gas supply turned on
Flames Are Too Blue	The heater has just been started..... Improper air shutter adjustment.....	This is normal - see "Starting the Heater for the First Time" Adjust Air Shutter - contact your dealer
Flames Are Too Short (Under 6")	The flame height may be turned too low.....	Turn the flame height to "HI" - See "Adjusting the Flame Height"
Thin Layer of Soot Covers the Glass	The logs or coals are placed incorrectly..... Improper air shutter adjustment.....	See "Log Set Installation" Adjust Air Shutter - contact your dealer

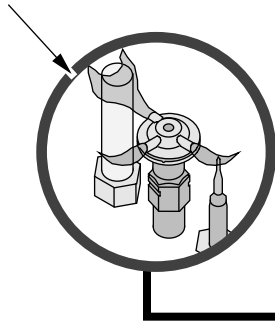
How this Heater Works

This heater was designed with safety as the primary concern. Many of the components inside this heater are for safety purposes. Therefore, only certified gas service technicians should service this heater.

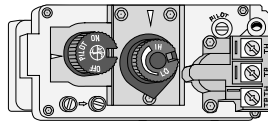
What Turns the Main Burners On and Off

This heater uses a millivolt system to control its operation (a millivolt is a very small amount of electricity). The thermopile and thermocouple generate electricity when heated by the pilot flame. This electricity is used to operate the gas valve. Without enough electricity, the gas valve will not turn on. That is why when starting the pilot the gas control knob has to be pressed in long enough for the thermocouple to heat up and generate enough electricity. The thermopile provides power for the ON/OFF switch, remote control, or thermostat (see the illustration below). Because the thermopile generates the electricity needed to turn the heater on and off, this heater can be operated when the power is out (although the blower will not run).

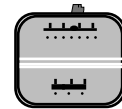
When heated, the thermopile generates electricity (a very small amount measured in "Millivolts").



This electricity is used to operate the main burners.



The main burners are switched on and off using the electricity generated by the thermopile. The ON/OFF switch, remote control, or thermostat control the circuit to the main burner.



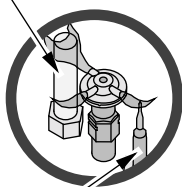
What Prevents Gas Buildup

This appliance utilizes a high-technology gas valve in conjunction with a pilot flame to ensure no gas builds up inside the firebox.

The thermocouple (next to the pilot) senses when the pilot flame is lit. If the pilot flame goes out, this thermocouple no longer generates electricity, causing the gas valve to automatically shut off all gas to the heater, preventing the pilot from spilling gas into the firebox.

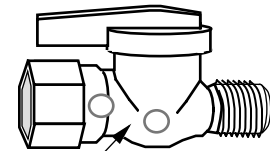
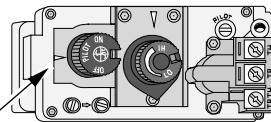
Pilot Flame

The pilot flame is a time-proven component that eliminates the possibility of gas buildup inside the firebox.



Gas Valve

This high-technology valve automatically shuts off all gas if it does not receive a signal from the thermocouple. If any component is damaged or sensing a malfunction, or if the wiring is damaged, it will shut off all gas.



External Shut Off Valve

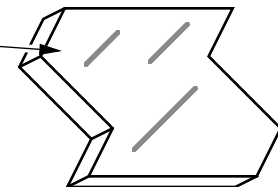
This valve is placed on the gas line to shut off gas to the appliance during maintenance procedures.

Thermocouple

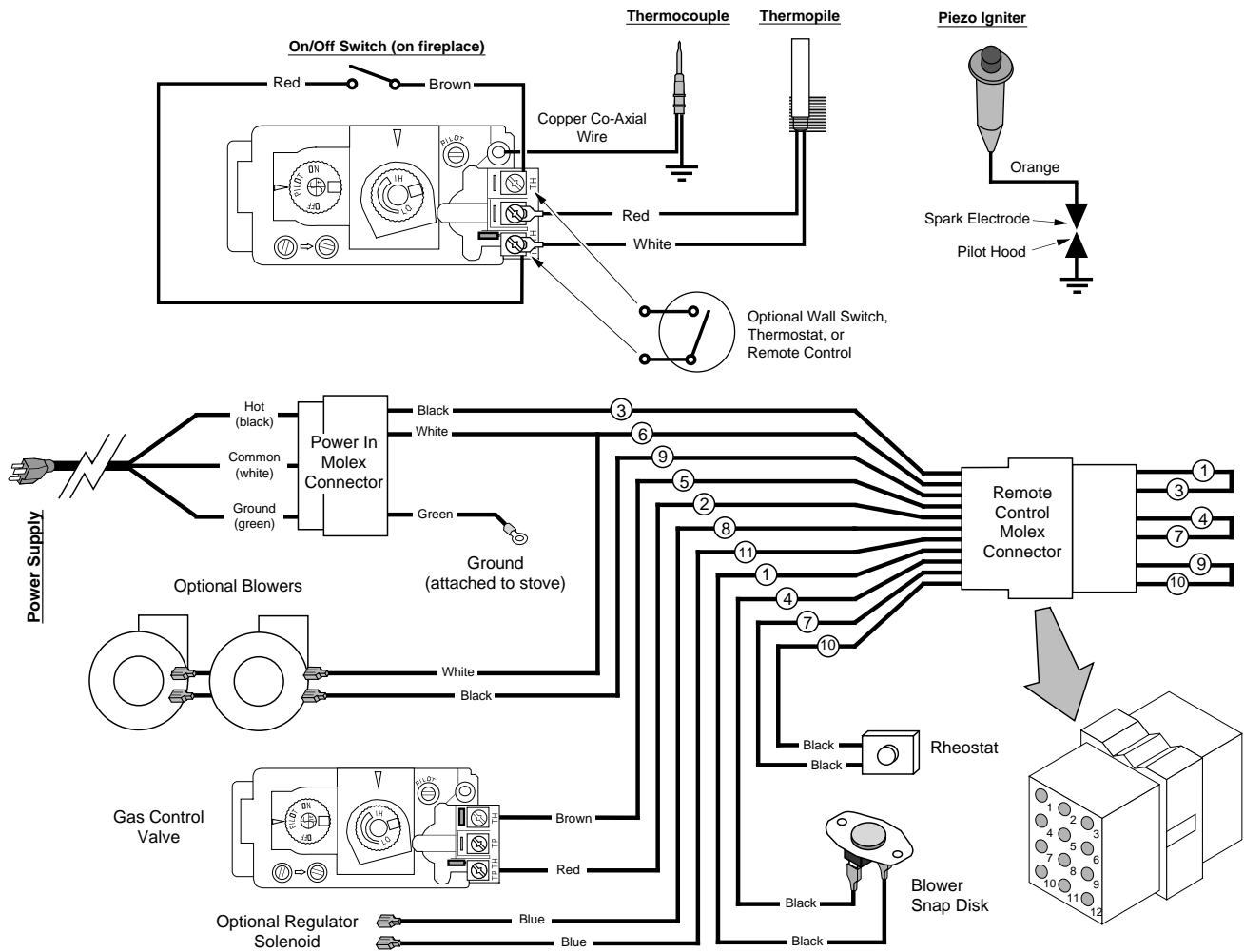
The thermocouple generates a small amount of electricity. If the pilot flame goes out, the gas valve automatically shuts off all gas.

Ceramic Glass

The glass in your heater is the most durable glass available. It has been tested to be extremely resistant to breakage from temperature changes.



Wiring Diagram



Caution: Label all wires prior to disconnection when servicing controls. Wiring errors can cause improper and dangerous operation.

Replacement Parts List

Caution: Use only Travis Industries replacement parts. Do not use substitute materials.

Warning: Do not operate appliance with the glass front removed, cracked, or broken.


Replacement of the glass should be done by a licensed or qualified service person.

BLOWER S-ASS'Y, LEFT DVL/DVS-	228-10085	PAINT, METALLIC BLACK 4oz	100-02401
BLOWER S-ASS'Y, RIGHT DVL/DVS-	228-10086	PILT/BRKT S-ASS'Y, DVS INS '06	226-44020
CNTRL VLV/BRKT ASS'Y, DVL/DVS-	226-42027	PIPE ADAPTER, 3/8 FLARE x3/8M	100-05113
CONV PARTS, LP - G18/22/G24-	93006503	POWER CORD, w/MOLEX CONNECTOR	100-00260
CORD RESTRAINER	100-00112	PREASSURE RELIEF DOOR ASSY	250-00022
FACE SCRW, PHP 1 - BLK-NKL	220-00064	RHEOSTAT, RECTANGULAR - w/OFF	100-00122
FLEX PIPE, 3/8od x 12 BLK #	100-05115	SHUTTER ASS'Y - DVS INS 2006	226-41044
FLEX PIPE, 3/8od x 8 BLK, NO-	100-05129	SNAP-DISC, 110deg, 2 PR#	98500789
GLASS LATCH	250-01115	STOVE PACK	225-10577
GLASS WITH GASKET	224-22037	SWITCH, ON/OFF - SMALL, GAS #	98900747
INJECTOR, PILOT - LP (#35) #	100-05217	THERMO-COUPLE - S.I.T. #	93006518
INJECTOR, PILOT - NG (#62) #	93006508	TOOL, KEY - DIE CAST ZINC	100-02314
KNOB (PLASTIC), RHEOSTATS #	100-04111	VALVE REGULATOR, LP SIT #	100-05504
LOG EMBERS, E4 - SMALL BAG	90006820	VALVE REGULATOR, NG SIT #	93006500
MAGNET w/OUT SHEATH	250-00002	VALVE, LP DV, '96-00 - DEXEN#	100-05520
MAGNET w/SHEATH	100-02802	VALVE, NG - S.I.T. (1.6-3.5)	100-05508
ORIFICE, BURNER - .0625 #	100-05206	WIRE HARNESS	250-01214
ORIFICE, BURNER - No. 37 #	100-05204		

Safety Label

Safety Label

The safety (listing) label is attached to the operating tag (chained to the heater near the gas control valve). A copy is shown below



Travis Industries
 4800 Harbour Pointe Blvd. SW
 Mukilteo, WA 98275
 206-851-7111
 www.travisindustries.com

DVS Insert
 Vented Gas Fireplace Heater

Tested to: ANSI Z21.886-2003 "Vented Gas Fireplace Heater" and UL 3076-1995 "Gas Burning Heating Appliances for Manufactured Homes".
 This appliance must be installed in accordance with local codes, if any; if none, follow the National Fuel Gas Code, ANSI Z223.1/NFPA 54, Installation in Manufactured or Mobile Homes must conform with Manufactured Home Construction and Safety Standard, Title 24 CFR, Part 3280.

This vented gas fireplace heater is equipped at the factory for use with natural gas. If conversion to propane (LP) is desired, the optional factory conversion kit must be used.

This appliance is only for use with the type of gas indicated on the rating plate and may be installed in an aftermarket, permanently located, manufactured (mobile) home where not prohibited by local codes. See owner's manual for details. This appliance is not convertible for use with other gases, unless a certified kit is used.

This vented gas fireplace heater is not for use with air filters.

Keep burner and control compartment clean. See installation and operating instructions accompanying appliance.

This appliance must be properly connected to a venting system in accordance with the manufacturer's installation instructions. Use only approved coaxial direct vent system to vent this appliance to the exterior. See owner's manual for approved brands of venting.

WARNING: Improper installation, adjustment, alteration, service or maintenance can cause injury or property damage. Refer to the owner's information manual provided with this appliance. For assistance or additional information consult a qualified installer, service agency or the gas supplier.

VENTED GAS FIREPLACE HEATER – NOT FOR USE WITH SOLID FUEL

CAUTION: Hot while in operation. Do not touch. Severe burns may result. Keep children, clothing, furniture, gasoline and other liquids having flammable vapors away. Do not operate this appliance with glass removed, cracked or broken. Replacement of the panel(s) should be done by a licensed or qualified service person.

Minimum Clearances to Combustibles

Side of Insert to Adjacent Wall	4.5" (115mm)	Base of Insert to Mantel	34" to 35" (863 to 891mm)
Hearth Extension in Front	0" (0mm)	Base of Insert to Top Faching	35" (891mm)
Hearth Extension to Sides of Insert	0" (0mm)	Flue Vent	See Owner's Manual

See the Owner's Manual for complete details and additional installation options.

FAN TYPE VENTED CIRCULATOR
 Blower Electrical Rating: 115 V., 1.5 Amps, 80 Hz, 150 watts

	LP	N.G.	LP	N.G.
Input Rate on "H" (BTU/Hr)	31,000	31,000	11"	5.5"
Input Rate on "LO" (BTU/Hr)	23,000	25,000	13"	7"
Main Burner Orifice (DMS)0625"	#37	10"	3.5"

This appliance is equipped for installation at 0-2000 ft.
 In USA, for altitudes above 2,000 feet, the vent configuration, orifice, or combination of both may need to be changed.
 See the owner's manual for information on making these changes.

Manufactured by:



TRAVIS INDUSTRIES
HOUSE OF FIRE
 4800 Harbour Pointe Blvd. SW
 Mukilteo, WA 98275

0574 (IGN)

MANUFACTURE DATE:

- 2007
- Jan.
- Apr.
- Jul.
- Oct.
- 2008
- Feb.
- May
- Aug.
- Nov.
- 2009
- Mar.
- Jun.
- Sep.
- Dec.

To register your TRAVIS INDUSTRIES, INC. 7 Year Warranty, complete the enclosed Warranty card and mail it within **ten (10)** days of the appliance purchase date to: TRAVIS INDUSTRIES, INC., 4800 Harbour Pointe Blvd. SW, Mukilteo, WA 98275. TRAVIS INDUSTRIES, INC. warrants this gas appliance (appliance is defined as the equipment manufactured by Travis Industries, Inc.) to be defect-free in material and workmanship to the original purchaser from the date of purchase as follows:

**Check with your dealer in advance for any costs to you when arranging a warranty call.
Mileage or service charges are not covered by this warranty. This charge can vary from store to store.**

Years 1 & 2 - COVERAGE: PARTS & LABOR

Burner Assembly:

Burner, Burner Pan, Air Shutter Assembly, Main Burner Orifice

Firebox Assembly:

Adjustable Air Restrictor, Pressure Relief Mechanisms, Barometric Control Mechanism (for models with Remote Heat Ducts), Glass Attachment Mechanism

Electrical Assembly (within heater structure):

Blower, wiring harness, snap discs, rheostat speed control

Gas Control Assembly

Adjustable control valve, millivolt wiring and connectors (located within the metal heater structure), thermopile, thermocouple, pilot hood, orifices, pilot gas line, piezo ignitor

Ceramic Glass

Glass (breakage from thermal shock)

Ceramic Logs

Log Set, Coals, Ember Strip (Steel Fiber)

Gold, Nickel & Copper Plating

Face & Door (see "Conditions and Exclusions" # 9)

Accessories

Cast Brick, Cast Firebacks, Power Heat Ducts, Andirons

Convection Heat Exchanger

Re-Installation Allowance

In cases where heater must be removed from home for repairs, a partial cost of re-installation is covered (pre-authorization required)

One-Way Freight Allowance

One-way freight allowance on pre-authorized repair done at factory is covered.

Exclusions: Paint, Gasketing

Years 3 THROUGH 5 - COVERAGE: PARTS & LABOR

Convection Heat Exchanger

Firebox Assembly:

Adjustable Air Restrictor, Pressure Relief Mechanisms, Barometric Control Mechanism (for models with Remote Heat Ducts), Glass Attachment Mechanism

One-Way Freight Allowance

One-way freight allowance on pre-authorized repair done at factory is covered.

Exclusions: Paint, Gasketing, Burner Assembly, Electrical Assembly, Gas Control Assembly, Ceramic Glass, Ceramic Logs, Gold, Nickel & Copper Plating, Accessories, Re-Installation Allowance

Years 6 & 7 - COVERAGE: PARTS ONLY

Firebox Assembly:

Adjustable Air Restrictor, Pressure Relief Mechanisms, Barometric Control Mechanism (for models with Remote Heat Ducts), Glass Attachment Mechanism

Exclusions: Paint, Gasketing, Burner Assembly, Electrical Assembly, Gas Control Assembly, Ceramic Glass, Ceramic Logs, Gold, Nickel & Copper Plating, Accessories, Convection Heat Exchanger, Re-Installation Allowance, One-Way Freight Allowance, Labor

CONDITIONS & EXCLUSIONS

- This new gas appliance must be installed by a qualified gas appliance technician. It must be installed, operated, and maintained at all times in accordance with the instructions in the Owner's Manual. Any alteration, willful abuse, accident, neglect, or misuse of the product shall nullify this warranty.
- This warranty is nontransferable, and is made to the ORIGINAL purchaser, provided that the purchase was made through an authorized TRAVIS dealer.
- Discoloration and some minor expansion, contraction, or movement of certain parts and resulting noise, is normal and not a defect and, therefore, not covered under warranty. The installer must ensure the appliance is burning as per the rating tag at the time of installation. Over-firing (operation above the listed BTU rate) of this appliance can cause serious damage and will nullify this warranty.
- The warranty, as outlined within this document, does not apply to the chimney components or other Non-Travis accessories used in conjunction with the installation of this product. If in doubt as to the extent of this warranty, contact your authorized TRAVIS retailer before installation.
- Travis Industries will not be responsible for inadequate performance caused by environmental conditions such as nearby trees, buildings, roof tops, wind, hills or mountains or negative pressure or other influences from mechanical systems such as furnaces, fans, clothes dryers, etc.
- This Warranty is void if:
 - The unit has been operated in atmospheres contaminated by chlorine, fluorine or other damaging chemicals.
 - The unit is subject to submersion in water or prolonged periods of dampness or condensation.
 - Any damage to the unit, combustion chamber, heat exchanger or other components due to water, or weather damage which is the result of, but not limited to, improper chimney/venting installation.
- Exclusions to this 7 Year Warranty include: injury, loss of use, damage, failure to function due to accident, negligence, misuse, improper installation, alteration or adjustment of the manufacturer's settings of components, lack of proper and regular maintenance, damage incurred while the appliance is in transit, alteration, or act of God.
- This 7 Year warranty excludes damage caused by normal wear and tear, such as paint discoloration or chipping, worn or torn gasketing, corroded or cracked logs, embers, etc. Also excluded is damage to the unit caused by abuse, improper installation, modification of the unit, drilling of the orifices, or the use of fuel other than that for which the unit is configured. Units are shipped for natural gas and must be converted to propane using the included conversion kit. Confirm fuel configuration with your installer.
- Damage to gold or nickel surfaces caused by fingerprints, scratches, melted items-, or other external sources left on the gold or nickel from the use of cleaners other than denatured alcohol is not covered in this warranty.
- TRAVIS INDUSTRIES, INC. is free of liability for any damages caused by the appliance, as well as inconvenience expenses and materials. Incidental or consequential damages are not covered by this warranty. In some states, the exclusion of incidental or consequential damage may not apply.
- This warranty does not cover any loss or damage incurred by the use or removal of any component or apparatus to or from the gas appliance without the express written permission of TRAVIS INDUSTRIES, INC. and bearing a TRAVIS INDUSTRIES, INC. label of approval.
- Any statement or representation of TRAVIS products and their performance contained in TRAVIS advertising, packaging literature, or printed material is not part of this 7 year warranty.
- This warranty is automatically voided if the appliance's serial number has been removed or altered in any way. If the appliance is used for commercial purposes, it is excluded from this warranty.
- No dealer, distributor, or similar person has the authority to represent or warrant TRAVIS products beyond the terms contained within this warranty. TRAVIS INDUSTRIES, INC. assumes no liability for such warranties or representations.
- Travis Industries will not cover the cost of the removal or re-installation of hearths, facing, mantels, venting or other components.
- If for any reason any section of this warranty is declared invalid, the balance of the warranty remains in effect and all other clauses shall remain in effect.
- THIS 7 YEAR WARRANTY IS THE ONLY WARRANTY SUPPLIED BY TRAVIS INDUSTRIES, INC., THE MANUFACTURER OF THE APPLIANCE. ALL OTHER WARRANTIES, WHETHER EXPRESS OR IMPLIED, ARE HEREBY EXPRESSLY DISCLAIMED AND PURCHASER'S RECOURSE IS EXPRESSLY LIMITED TO THE WARRANTIES SET FORTH HEREIN.**

IF WARRANTY SERVICE IS NEEDED:

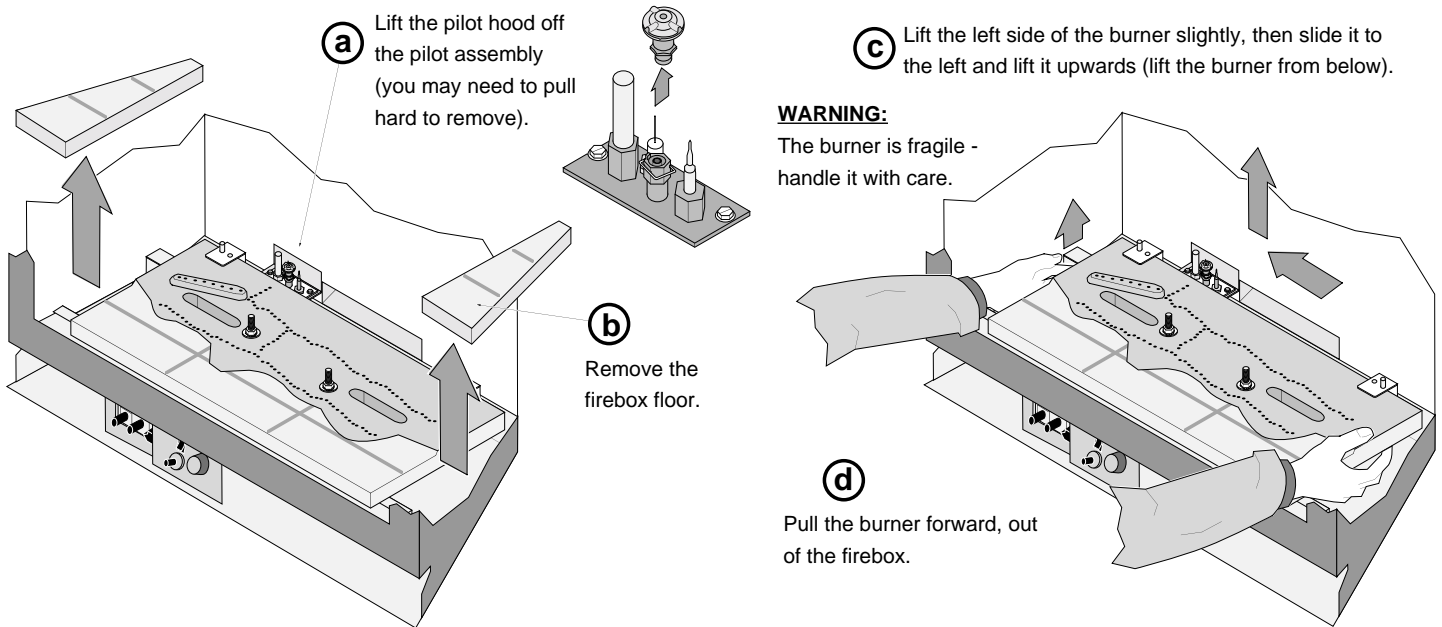
- If you discover a problem that you believe is covered by this warranty, you **MUST REPORT** it to your TRAVIS dealer **WITHIN 30 DAYS**, giving them proof of purchase, the purchase date, and the model name and serial number.
- Travis Industries has the option of either repairing or replacing the defective component.
- If your dealer is unable to repair your appliance's defect, he may process a warranty claim through TRAVIS INDUSTRIES, INC., including the name of the dealership where you purchased the appliance, a copy of your receipt showing the date of the appliance's purchase, and the serial number on your appliance. At that time, you may be asked to ship your appliance; freight charges prepaid, to TRAVIS INDUSTRIES, INC. TRAVIS INDUSTRIES, INC., at its option, will repair or replace, free of charge, your TRAVIS appliance if it is found to be defective in material or workmanship within the time frame stated within this 7 year warranty. TRAVIS INDUSTRIES, INC. will return your appliance, freight charges (years 1 to 5) prepaid by TRAVIS INDUSTRIES, INC., to your regional distributor, or dealership.
- Check with your dealer in advance for any costs to you when arranging a warranty call. Mileage or service charges are not covered by this warranty. This charge can vary from store to store.

LP Conversion Instructions

Install the conversion kit prior to installing the gas line to ensure proper gas use.

- 1 Remove the glass (see page 21). Remove the logs and coals (if installed - page 23)
- 2 Remove the burner (see illustration below).

WARNING: Do not disassemble the burner – screws on the burner must be left in place.



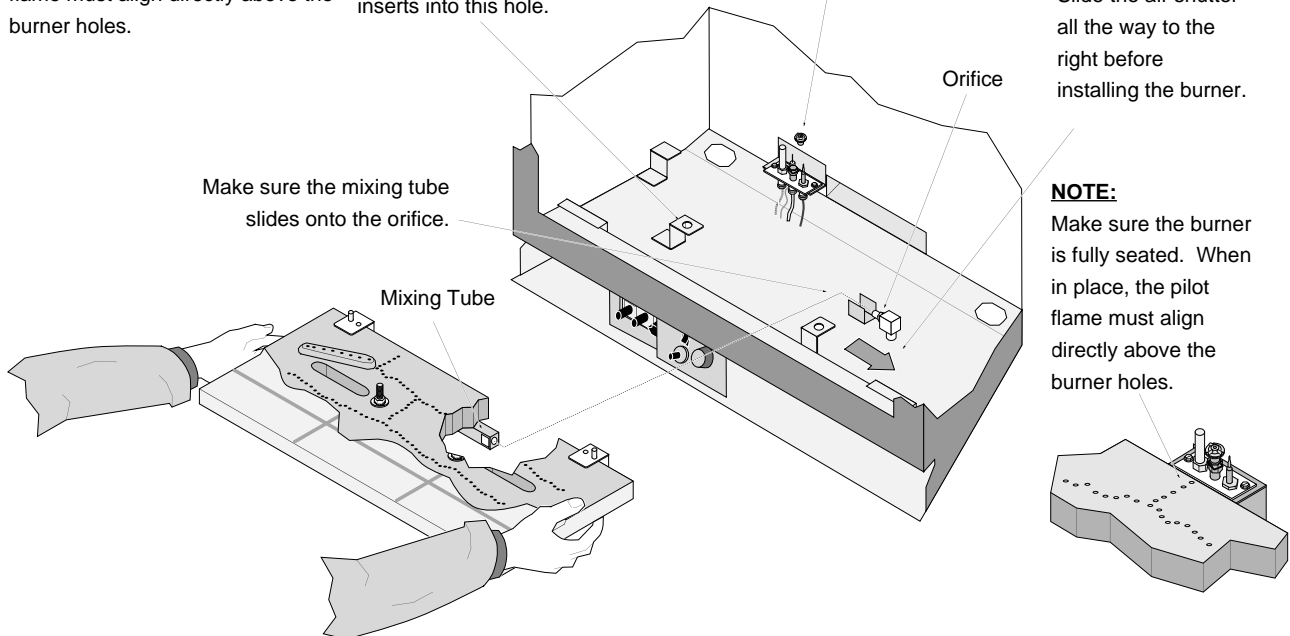
Burner Replacement:

Make sure the burner is fully seated. When in place, the pilot flame must align directly above the burner holes.

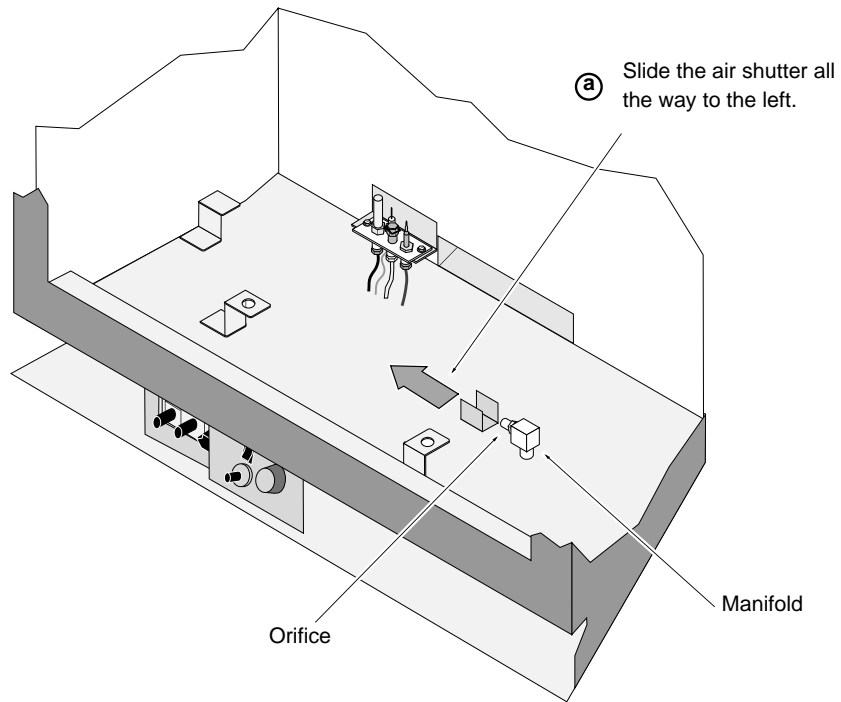
Make sure the bolt head on the bottom of the burner inserts into this hole.

Replace the pilot hood after replacing the burner.

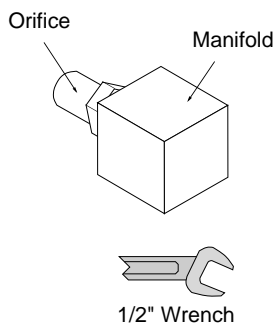
Slide the air shutter all the way to the right before installing the burner.



3 Follow the directions below to replace the orifices.



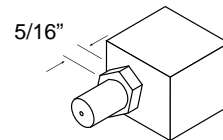
b Use a 1/2" open end wrench to unscrew the orifice.



c Apply thread sealant to the LP orifices prior to installation. Use the chart below to identify the correct orifices.

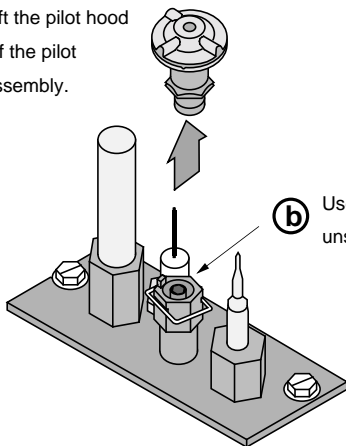


d Screw the LP orifice in so the orifice shoulder protrudes 5/16" (indicating full insertion).



4 Remove the pilot orifice following the instructions below. Replace with the propane pilot orifice

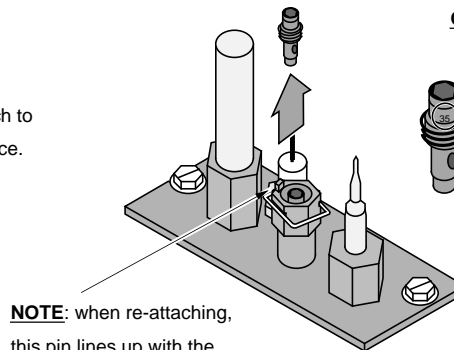
a Lift the pilot hood off the pilot assembly.



b Use a hex wrench to unscrew the orifice.

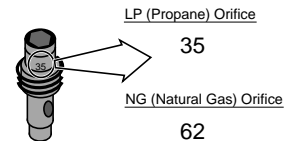


c Remove the orifice and replace with the LP orifice. Screw the orifice all the way in and replace the pilot hood.

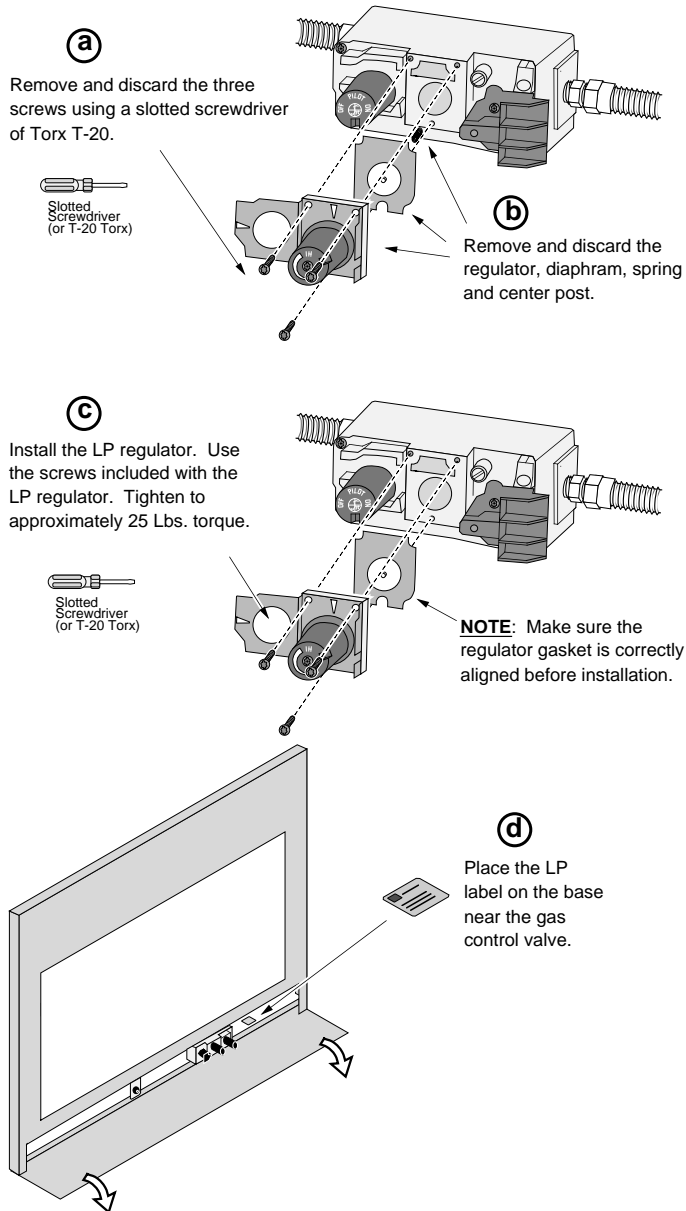


NOTE: when re-attaching, this pin lines up with the notch in the pilot hood.

Orifice Identification:



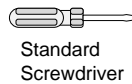
- 5 Install the logs and embers.
- 6 Replace glass and face.
- 7 Remove the regulator from the front of the gas control valve. Replace with the propane regulator, using the new gasket and screws included with the regulator. **NOTE: Leak test this area after the heater is installed, gas is connected, and the main burner is lit.**



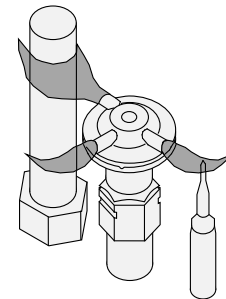
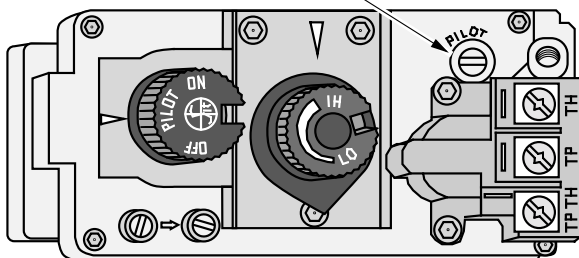
- 8 Make the gas line connection, bleed the gas line (if applicable), start the heater and thoroughly leak-test all gas connections and the gas control valve. Check the pilot. Adjust if necessary.

WARNING: When lighting or re-lighting the pilot, the glass must be removed (see page 21).

To adjust the pilot flame, turn this screw (NOTE: if totally unscrewed gas will come out of this port). Clockwise lowers the flame while counter-clockwise raises it.

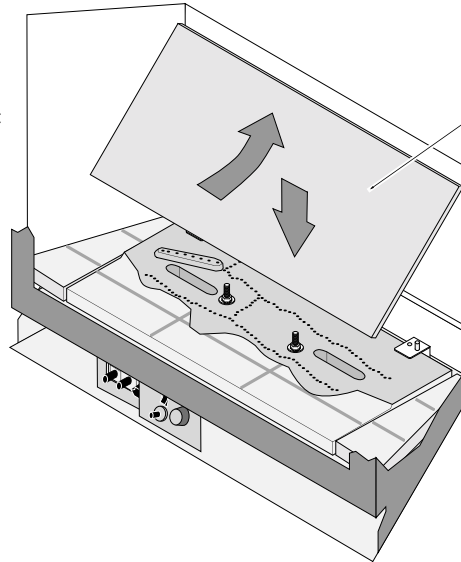


The pilot flame must contact the thermocouple and thermopile (see the illustration below). Adjust the pilot up or down as necessary.

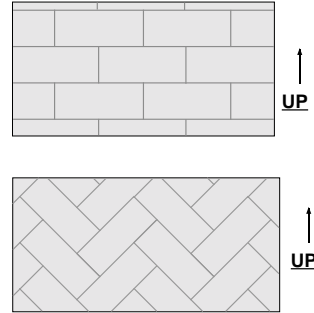


Firebacks

Slide the top of the rear fireback behind the baffle on top of the firebox and pivot it back into place. It rests on the shelf at the back of the firebox.

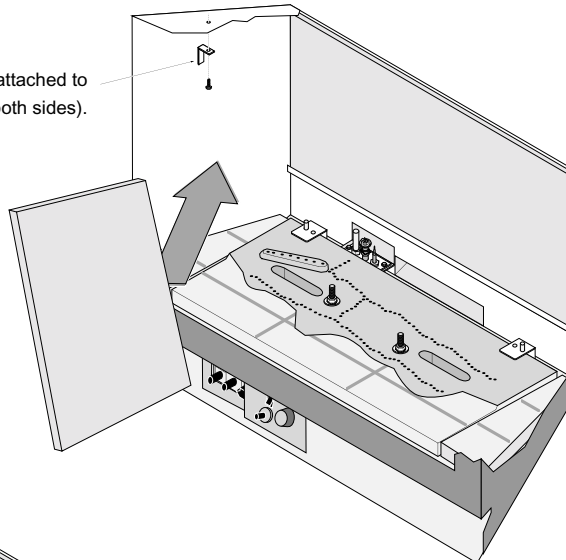


NOTE: The rear fireback must be installed as shown below for the brick pattern to line up with the side firebacks.

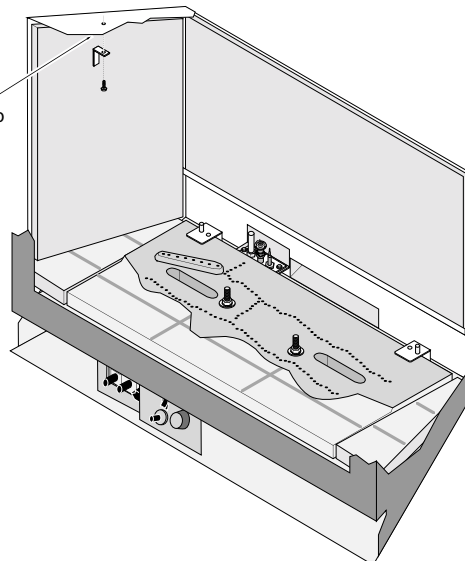


Remove this clip attached to the firebox ceiling (both sides).

Hold the side firebacks at a slight angle and place them into position (both sides).



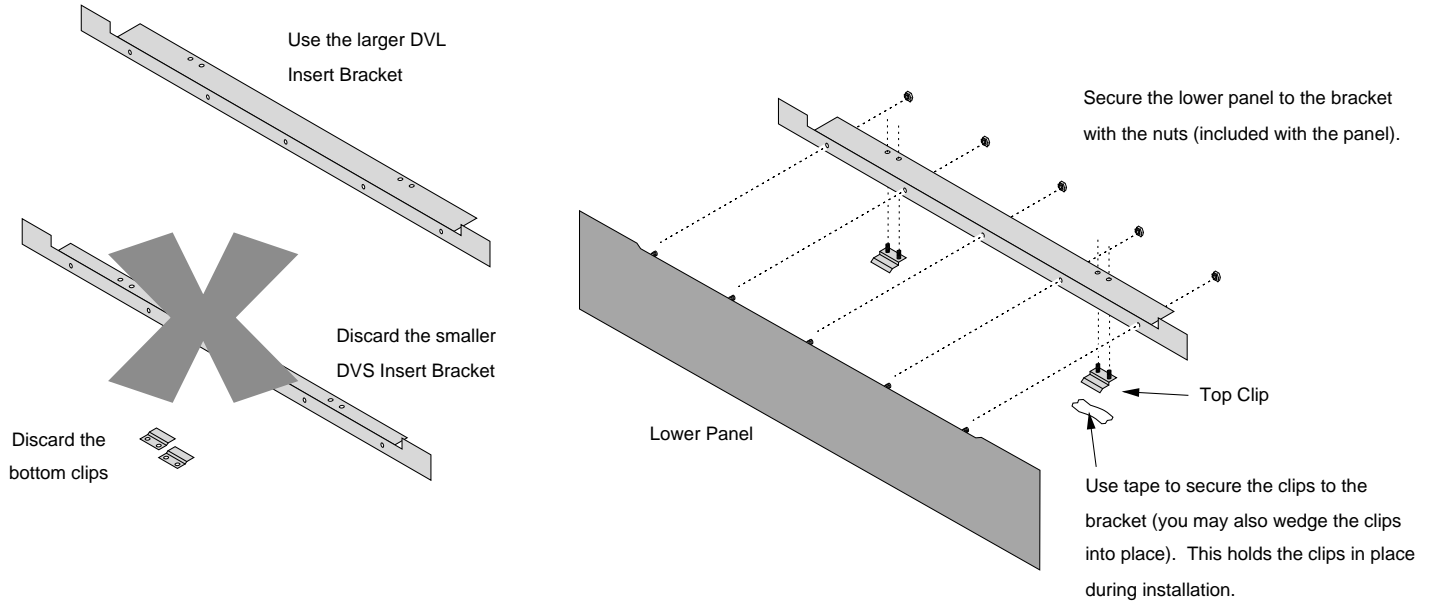
Replace the clip to secure the side fireback (both sides).



Lower Surround Panel

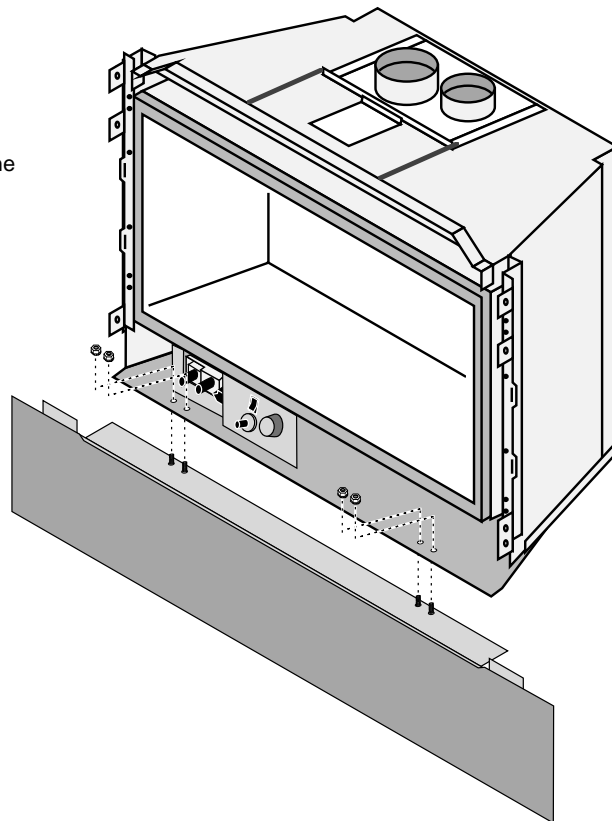
The older lower surround panel (sku 98500619 and 98500628) are installed in a different fashion than illustrated in the instruction sheet included with the panel. Follow the directions below.

- 1 Prepare the panel following the directions below.



- 2 Attach the panel to the insert following the directions below.

Attach the lower surround panel to the
insert with the nuts (included with the
panel).



Additional Items Required.....	7	Mantel Clearances.....	10
Adjusting the Blower Speed.....	30	Normal Operating Odors.....	30
Adjusting the Flame Height.....	29	Normal Operating Sounds.....	30
Air Shutter Adjustment.....	25	Odors (see "Normal Operating Odors").....	30
Altitude Considerations.....	14	On / Off Operation.....	29
Before You Begin.....	27	Order of Installation.....	7
Blower Operation.....	30	Packing List.....	7
Cap (Termination) Requirements.....	14	Panels.....	19
Clearances.....	10	Pilot Flame - Starting.....	28
Condensation on Glass (see "Starting Heater").....	29	Pilot Flame Inspection.....	25
Controls.....	27	Propane Conversion (LP Conversion Instructions).....	37
Dimensions.....	6	Replacement Parts List.....	34
Electrical Connection.....	20	Safety Label.....	35
Face Sizing.....	11	Safety Precautions.....	4
Factory-Built (Metal) Wood-Burning Fireplace Requirements.....	9	Service (Yearly Service Procedure).....	31
Fan Operation.....	30	Smells (see "Normal Operating Odors").....	30
Features.....	6	Sounds.....	30
Firebacks.....	40	Specifications.....	6
Fireplace Requirements.....	8	Starting the Heater for the First Time.....	29
Flame Height.....	29	Starting The Pilot Flame.....	28
Gas Inlet Pressure.....	13	Steps for Finalizing the Installation.....	25
Gas Line Location.....	13	Surround Panel Installation.....	19
Gas Line Requirements.....	13	Troubleshooting Table.....	32
Glass Frame Removal and Installation.....	21	Turning the Heater On and Off.....	29
Hearth Requirements.....	9	Vent Configurations.....	16
Heating Specifications.....	6	Vent Connector Removal and Installation.....	17
How this Heater Works.....	33	Vent Installation.....	15
Installation of the On/Off Switch and Rheostat.....	20	Vent Location.....	16
Installation Options.....	6	Vent Requirements.....	14
Installation Warnings.....	7	Vent Restrictor.....	15
Introduction.....	2	Warnings.....	4
Items Packed with the Face.....	7	Warranty.....	36
Safety Label.....	35	Window (Glass) Removal and Installation.....	21
Location of Controls.....	27	Wiring Diagram.....	34
Log Set Installation.....	23	Yearly Service Procedure.....	31
LP Conversion Instructions.....	37		
Maintaining Your Heater's Appearance.....	31		