



WELCOME TO LOPI

We wish to welcome you as a new owner of a LOPI woodburning appliance. In purchasing a LOPI product, you have joined the ranks of concerned individuals whose selection of an energy system reflects both a concern for efficiency and aesthetics.

We extend our continual support and guidance to help you achieve the maximum benefit and enjoyment available from your stove.

You are encouraged to familiarize yourself with the Owner's Manual before installing your LOPI. This manual covers in detail the necessary steps required in assembling and installing your stove. Also included are helpful hints and suggestions which will make the installation of your new stove both an easy and enjoyable experience.

We at LOPI wish you many years of warmth and satisfaction.

Sincerely,

LOPI INTERNATIONAL, LTD.

A handwritten signature in black ink, appearing to read "Kurt W. F. Rumens", written in a cursive style.

Kurt W. F. Rumens

President

INSTALLATION

Please make note of the stove serial number located on the back of the stove firebox.

Your freestanding stove requires some pre-installation assembly. Please read over all instructions before installing this unit.

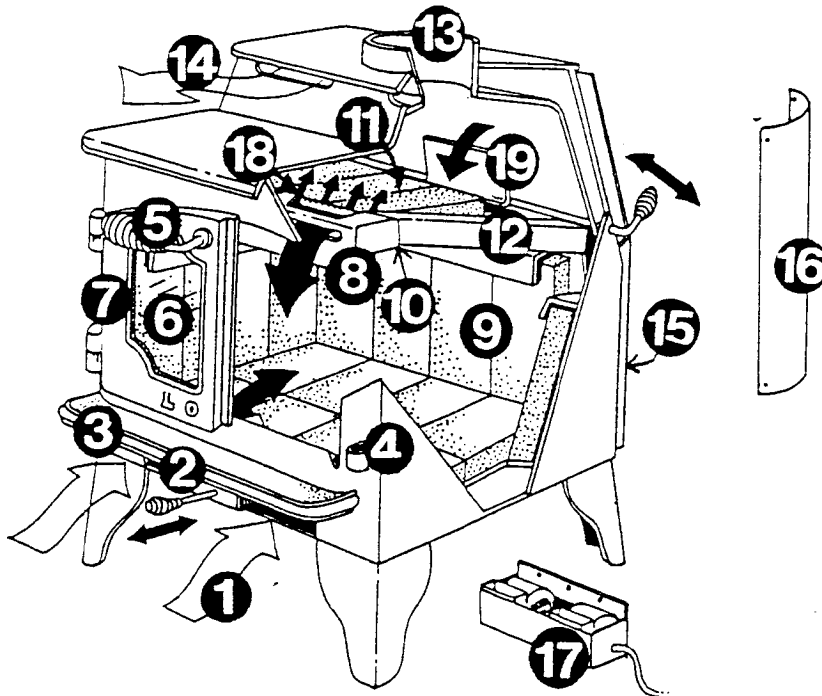
BASIC TOOLS NEEDED: Screwdrivers—Phillips and standard, small 1/2" and 5/16" open end (and/or socket) wrench, 1/4" or larger electric drill, plum bob, tape measure, hammer, pliers, tin snips, assorted drill bits—5/32", 1/4", etc., level, gloves and pencil. For securing pipe sections and pipe to stove, you will need to purchase twelve 1/8" x 1/4" sheet metal screws. The 440 Mobile Home installation will require 12" of No. 8 copper wire.

To install your new LOPI freestanding stove, you will be required to purchase several additional items. These consist of an interior chimney connector and an exterior chimney kit. If you purchased the 380/440 unit 6" pipe is required. If you purchased the 520 unit the 8" pipe is required.

There are several manufactured kits available, please refer to "clearance to combustibles" in this manual for your model of LOPI and consult your authorized dealer for exact parts necessary for your installation application.

And finally, an approved hearth pad or non-combustible surface will be required. For specifications see page on "Hearth Pad Requirements".

Below we have provided a general cut-away illustration of the 380 and 520 stoves for you to acquaint yourself with the parts and operation mentioned within this manual's text.



1. Convection air (cool air intake).
2. Combustion (draft) control handle.
3. Ashlip (offered in optional brass detailing).
4. Hinge supports.
5. Loading door handles.
6. High temperature glass.
7. Loading door (single door available for 380 stove).
8. Air wash.
9. Firebrick.
10. Removable baffle support.
11. Free floating masonry baffle.
12. Primary air tubes (one on each side).
13. Flue collar (380-6", 520-8").
14. Convection air (warm air outlet).
15. Outer heat shield.
16. Optional listed pipe shield (for reduced clearances).
17. Optional 220 CFM fan.
18. Secondary combustion air tube.
19. Bypass damper.

When you purchase the standard unit you will receive. . . .

1. **Stove Master Box** - Includes the stove firebox, doors with handles, firebrick, baffle angle, manual and hardware (single door units, doors are packaged separately includes hardware for doors and glass braces).

2. **Glass Box** - Includes 1 piece of glass for single door unit or 2 pieces for double door units of high temperature glass and non-asbestos fiberglass gasketing.

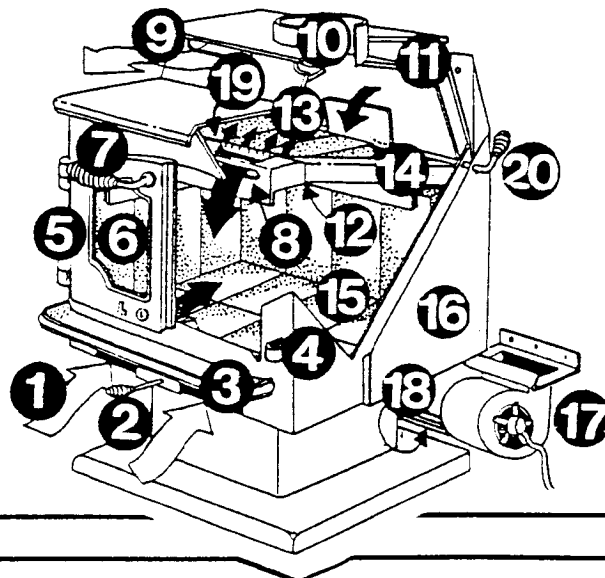
3. **Ashlip Box** - Includes cast or brass ashlip with bolts and washers mounted in ashlip.

4. **Leg Box** - Includes 1 set of 4 legs with built in levels and leg bolt package.

OPTIONS AVAILABLE FOR 380 AND 520 STOVES

1. 220 CFM Fan.
2. Pipe shield (for reduced clearances) see your dealer.
3. Brass hinge pins.
4. Etched glass (single and double door).
5. Firescreen (not available for 1 piece door).
6. Alcove side shields (for reduced clearances).
7. Pedestal for outside air.
8. Doors available in cast or solid brass.

Below we have provided a general cut-away illustration of your 440 stove for you to acquaint yourself with the parts and operation mentioned within this manual's text.



1. Convection chamber (cool air intake).
2. Combustion (draft) control handle.
3. Cast ashlip (optional brass trim available).
4. Hinges.
5. Loading doors (optional brass also, available as a single door).
6. High temperature glass (single or double).
7. Loading door handles.
8. Air wash.
9. Convection air (warm air outlet).
10. 6" flue collar.
11. Convection chamber.
12. Removable baffle retainer.
13. One free floating masonry baffle.
14. Secondary air tubes (one on each side).
15. Firebrick lining.
16. Side heat shield required on 440.
17. Optional 465 CFM fan.
18. Base insulation material (required when taking in outside air).
19. Secondary combustion air tube.
20. Bypass damper.

When you purchase the standard 440 unit you will receive. . .

1. **Stove Master Box** - Includes the stove firebox, doors with handles, firebrick, baffle angle, manual and hardware (single door units, door is packaged separately, includes hardware for door and glass braces.)
2. **Glass Box** - Includes 1 piece of glass for the single door unit or 2 pieces for the double door units of high temperature glass and non-asbestos fiberglass gasketing.
3. **Ashlip Box** - Includes cast or brass ashlip with bolts and washers mounted into ashlip.
4. **Side Shield Box** - Includes one set of side heat shields required on unit and 4 screws - 1/4-20 x 1/2.
5. **440 Pedestal Kit Box** - Includes pedestal base, upper baffle brick, 2 baffle angle irons and rodent screen and hardware package.

OPTIONS AVAILABLE FOR 440 STOVE

1. 465 CFM fan.
2. Pipe shield (for reduced clearances) see your dealer.
3. Brass hinge pins.
4. Etched single or double piece glass.
5. Fire screen.

Before beginning installation of your stove, it is advisable to lighten it as much as possible. This will provide greater ease in moving and installing the unit. To do this, carefully remove the contents of the stove and the stove loading doors.

Installing your stove requires some preparation and homework. Learn your local building codes; you may be required to obtain a building permit before installing your stove. Your local Building Inspection Department will be happy to assist you with information regarding installation requirements in your area.

Also, notify your home insurance company that you plan to install a woodburning stove in your home.

NOTE: ALTERATIONS TO THE STOVE ARE NOT ALLOWED.

NOTE: DO NOT CONNECT THE STOVE TO A CHIMNEY SYSTEM SERVING ANOTHER APPLIANCE OR ANY AIR DISTRIBUTION DUCT.

NOTE: CLEARANCES OTHER THAN THOSE STATED BY THIS MANUAL CAN ONLY BE REDUCED BY MEANS APPROVED BY YOUR LOCAL REGULATORY AUTHORITY.

Before installing your stove have it inspected and approved in writing by your local building inspector.

WARNING: CARELESS INSTALLATION IS A MAJOR CAUSE OF SAFETY HAZARDS. CHECK ALL LOCAL BUILDING AND SAFETY CODES BEFORE INSTALLING YOUR STOVE. DO NOT USE MAKESHIFT COMPROMISES DURING INSTALLATION.

PLACEMENT:

The first thing you must consider when installing a woodburning appliance is where it is going to be placed. Things to consider when deciding stove placement:

A. Will the stove flue exit into an existing chimney or will you have to construct a connector pipe and exterior chimney?

B. Where will you get the most benefit from the heating of your home? An open, centralized location within your home will provide the best chance that your stove will effectively heat your entire home. Isolating your stove within a closed-off area may lead to that room becoming too hot while the rest of your home remains cold.

C. Before installing your unit, refer to "Clearances to Combustibles" set forth by this manual. LOPI has extensively tested these units in a wide variety of installations to provide you with the necessary information on clearances as they relate to your particular installation plan. Please refer to the clearances stated in this manual for your model of LOPI.

The LOPI 440 stove has been designed and manufactured to meet specifications required for installation in Mobile Homes and for Conventional Homes.

PLACEMENT FOR INSTALLATION OF YOUR 440 STOVE IN MOBILE HOME:

THE STRUCTURAL INTEGRITY OF THE MOBILE HOME FLOOR, WALLS AND CEILING/ROOF MUST BE MAINTAINED.

The LOPI 440 must be installed according to the following requirements to meet Housing and Urban Development (HUD) Mobile Home approval:

1. Under no situation shall this unit be installed in a sleeping room.
2. As all mobile homes are built air tight, outside air must be used as the ONLY source of combustible air.
3. The stove must be securely installed to the mobile home floor and hearth anytime the mobile home is moving.
4. The stove must be placed on a non-combustible pad.
5. The weight of the stove, chimney connection and hearth pad must be spread over an area so as not to exceed 40 lbs. per square foot floor load limit.
6. This stove requires UL listed chimney and flue pipe with spark arrestor, and it must be attached directly to the stove.
7. The minimum ceiling height in the room in which the 440 stove is installed must not be less than seven (7) feet.

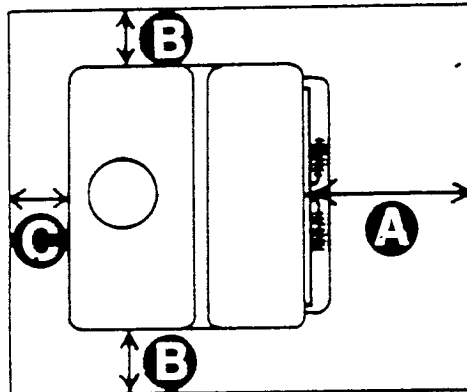
FLOOR PROTECTION.

If you intend to install your new LOPI stove on anything other than tile, stone flooring or any other non-combustible material, you will be required to purchase and install a non-combustible hearth pad.

Any hearth pad used must be large enough to extend at least 18" (45.7cm) beyond the front of the stove face and must extend at least 6" (15.0cm) beyond both sides of the stove. If you own the 380 or 520 stove the back wall pad extension must be 6" (15.0cm) from the back of the stove. If you own the 440 stove the back wall pad extension must equal the clearance to the combustible of the unit.

This pad must be of non-combustible construction. Please consult your LOPI dealer for suggestions on the different types of hearth pads available.

Position this pad by first marking the outline of how the unit will fit on the floor, refer to "Clearances to Combustibles" for your model of stove. Next, outline the position of the hearth pad based on your stove's extension requirements. For more complete 440 information, please read on.



HEARTH REQUIREMENTS

MODEL 380 & 520

- A. Hearth extension in front of stove-18" (455mm)
- B. Hearth extension to side of stove-6" (150mm)
- C. Hearth extension to back of stove-6" (150mm)

MODEL 440

- A. Hearth extension in front of stove-18" (455mm)
- B. Hearth extension to side of stove-6" (150mm)
- C. Hearth extension to back of stove-3" (75mm)

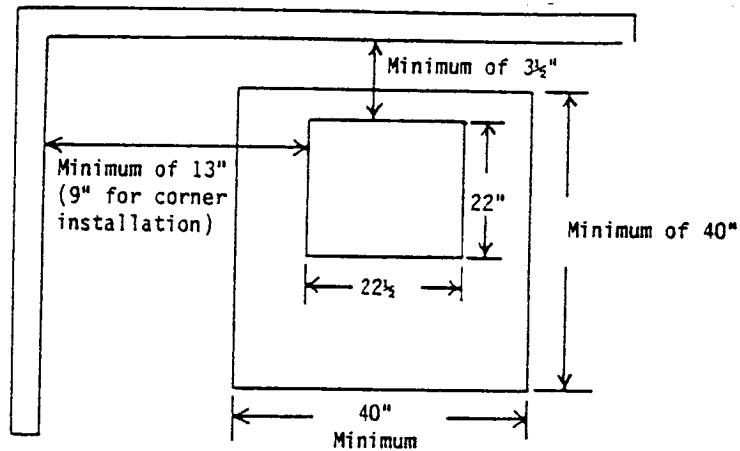
HEARTH PAD INSTALLATION FOR MOBILE HOMES-440 STOVE ONLY (OUTSIDE AIR)

OUTSIDE AIR INTAKE INSTALLATION CAN BE APPLIED TO CONVENTIONAL HOME INSTALLATIONS.

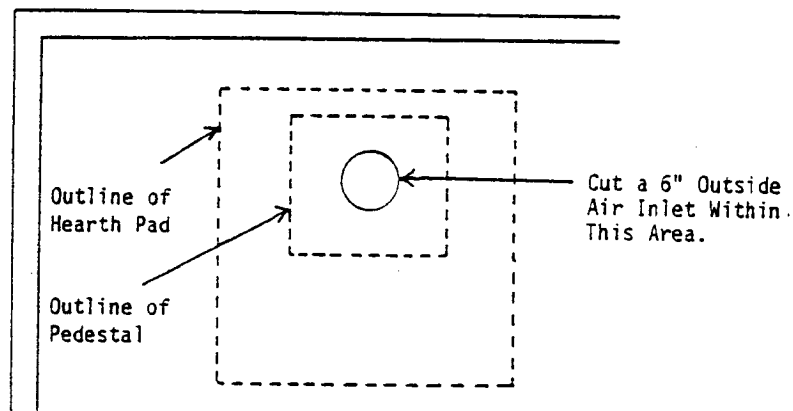
To allow for outside combustion air, you will be required to cut a matching hole in the hearth pad and floor.

To begin, first place the hearth pad in the desired location. Mark the pad's position on the floor and remove it.

Next, referring to the required clearances for the unit, mark how the stove will be situated on the hearth pad. You should have a 22-1/2" x 22" area marked on the pad as to the stove's position.



Mark the location of the
Hearth Pad & Unit on the floor of
the Mobile Home.



Transpose and cut out a 6"
air port in both floor and
Hearth Pad

Next, measure in 11" from the front of the stove mark and 11-1/4" from the side of the stove mark. This will give you the center of your round 6" hole. Now draw your 6" hole onto the floor using your center point as your guide. This will be your combustion air intake. Carefully cut and remove this section of floor.

Next, transpose this same hole to the hearth pad and cut it out.

Now position the provided mesh screen over the hole in the floor as a guard against rodent entry. Secure the screen with heavy duty staples.

Finally replace and align the hearth pad and the stove over the air intake along the lines previously marked.

Take the insulation strip found within the unit and position it along the open backside of the pedestal base. This cuts off any room air from entering the unit.

SECURING THE STOVE (THIS SECTION IS APPLICABLE ONLY IF THE MOBILE HOME AND 440 STOVE ARE TO BE MOVED).

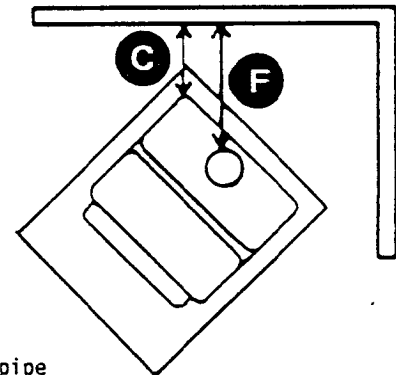
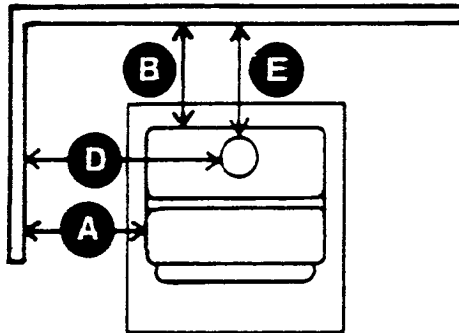
YOU WILL NEED TWO 1/4" X 4" HEX HEAD BOLTS. These will be used to anchor the stove securely to the floor of the mobile home.

1. With the stove in position mark the hearth pad using the two holes in the pedestal base as a guide.
2. Remove the stove and with the 1/4" drill bit, drill through both the hearth pad and the mobile home floor.
3. Realign stove and secure with 1/4" bolts.

GROUNDING YOUR 440 STOVE - Regulations require that all stoves installed in mobile homes must be grounded. To do this attach a piece of No. 8 copper wire at least 12" in length from the stove to the chassis of the mobile home.

CLEARANCES TO COMBUSTIBLES FOR THE LOPI 380 OR 520 STOVE:

Both LOPI freestanding stoves have been thoroughly tested with singlewall pipe to unprotected combustible wall surfaces. Reduced clearances can be achieved with the use of an optional pipe shield or with the LOPI side shields.



MODEL 380 STOVE = 6" Diameter 24 gauge pipe

SINGLEWALL CONNECTOR

SINGLEWALL CONNECTOR W/PIPE SHIELD

- A = 28" (710mm)
- B = 15" (380mm)
- C = 15" (380mm)
- D = 36" (915mm)
- E = 19" (485mm)
- F = 25" (635mm)

- A = 28" (710mm)
- B = 11" (280mm)
- C = 12.5" (320mm)
- D = 36" (915mm)
- E = 15" (380mm)
- F = 22.5" (570mm)

MODEL 520 STOVE = 8" Diameter 24 gauge pipe

SINGLEWALL CONNECTOR

SINGLEWALL CONNECTOR W/PIPE SHIELD

- A = 32.5" (825mm)
- B = 20" (510mm)
- C = 18" (455mm)
- D = 43" (1095mm)
- E = 24" (610mm)
- F = 29" (740mm)

- A = 32.5" (825mm)
- B = 13" (330mm)
- C = 18" (455mm)
- D = 43" (1095mm)
- E = 17" (435mm)
- F = 29" (740mm)

OPTIONAL CLEARANCE REDUCTION USING SIDE SHIELD AND LISTED PIPE SHIELD FOR 380 AND 520 STOVES:

Alcove installations may be utilized with the use of optional LOPI Side Shields and optional listed Pipe Shield. This listed optional side shield has been designed for reduced clearances to combustible walls and installations in an alcove (7' minimum ceiling height required). When installed, this heat shield and pipe shield will allow reduced clearances over those indicated earlier.

MODEL 380 WHEN INSTALLED WITH SINGLEWALL CONNECTOR & SHIELD:

A=15" (360mm) D=24" (610mm)
 B=13.5" (343mm) E=10.5" (267mm)
 C=N/A F=N/A

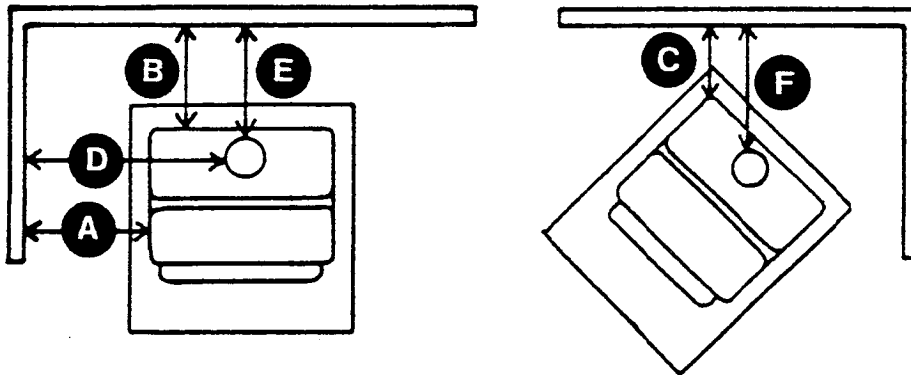
MODEL 520 WHEN INSTALLED WITH SINGLEWALL CONNECTOR & SHIELD:

A=24.5" (622mm) D=35" (889mm)
 B=11" (279mm) E=15" (380mm)
 C=18" (457mm) F=29" (737mm)

NOTE: This shield WILL NOT reduce clearances in corner installations.

CLEARANCE TO COMBUSTIBLES FOR THE 440 STOVE:

The following 440 clearances are for use in conventional homes only - NOT for Mobile Homes:



MODEL 440 STOVE = 6" Diameter 24 gauge pipe

SINGLEWALL CONNECTOR

A = 13" (330mm)
 B = 15" (350mm)
 C = 10" (255mm)
 D = 22" (560mm)
 E = 18" (455mm)
 F = 20" (510mm)

SINGLEWALL CONNECTOR W/PIPE SHIELD

A = 13" (330mm)
 B = 3.5" (90mm)
 C = 10" (255mm)
 D = 22" (560mm)
 E = 6.5" (165mm)
 F = 20" (510mm)

440 ALCOVE INSTALLATION FOR CONVENTIONAL HOMES ONLY:

440 alcove installations may be utilized when an optional listed pipe shield is installed.

A=15" (380mm) D=24" (610mm)
 B=13.5" (343mm) E=10.5" (267mm)
 C=N/A F=N/A

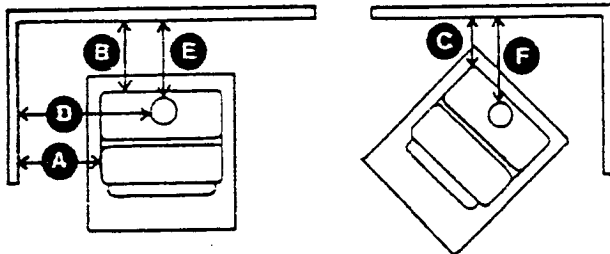
440 Clearances to combustibles for Mobile Homes Installations in U.S. and Canada.

Ryder or Security Connector

A- 380 mm/15 "
B- 165 mm/ 6½ "
C- 165 mm/ 6½ "
D- 595 mm/ 23½ "
E- 230 mm/ 9 "
F- 405 mm/ 16 "

Dura-Vent Connector

A- 380 mm/15 "
B- 115 mm/ 4½ "
C- 165 mm / 6½ "
D- 595 mm / 23½ "
E- 180 mm/ 7 "
F- 405 mm/ 16 "



NOTE: This shield WILL NOT reduce clearances in corner installations.

440 CLEARANCES TO COMBUSTIBLES FOR MOBILE HOME INSTALLATIONS U.S. AND CANADA:

All clearances for the U.S. and Canada were derived with the usage of a specific connector and factory built chimney system. These specific brand name systems must be used without exception:

6" Dura Vent listed doublewall connector to Dura Vent Chimney system OR 6" Security listed connector to Security chimney models AS-6 or S2100 chimney OR 6" Ryder listed connector to Security chimney model S2100 chimney OR Oliver McCloud's "ProJet" Models 3000 or 3103 chimney.

WALL PROTECTION IN CONVENTIONAL HOMES:

Clearances can be reduced by other means than those described above with the use of purchased, listed clearance reduction systems, or constructed clearance reduction system, such as brick wall with 1" air space. Please follow the manufacturer's suggested clearance reduction for these systems. Consult your local Building Inspector as to the specific rules and regulations concerning usage of such systems.

NOTE: Many newer homes are built air tight to conserve energy. In these cases, fresh air from the outside must be provided in the form of a combustion air inlet into the home. If your home falls into this category, be sure that the combustion air inlet is open whenever the stove is in operation.

OPTIONAL DAMPER:

We recommend installing a "key" or similar damper in the chimney connector systems. A damper will allow you greater control of the fire by adjusting the flow of gases up the chimney. This will gain you greater heat value from the burning of your wood. Please see your local LOPI dealer for further information on the various dampers available.

INSTALLATION OF THE CHIMNEY CONNECTOR:

A singlewall chimney connector must be attached to the flue collar of the stove by at least three sheet metal screws. Each section of connector pipe must also be secured by three sheet metal screws to ensure the safe operation of the unit. The crimped end of the pipe must be installed into the flue collar. It is recommended that the stove pipe be installed with the crimp down so that any creosote formed, as a natural

by-product of wood combustion, will run back toward the stove and not through the joint to the outside of the smoke pipe. The damper should be installed when connector pipe is being assembled.

To achieve reduced clearances to the backwall, please use a listed pipe shield and follow clearances stated for your model of stove.

If you plan to install your unit into an existing brick chimney system it is important to place the stove as close to the chimney as possible. Allow for a minimum of elbows and angles within the pipe. This allows the pipe to be as short and direct as possible. Avoid long, horizontal runs of pipe as this allows for soot build-up and requires more frequent cleaning.

Do not pass a Singlewall Connector through an attic, roof space, closet or similar concealed space, floor, ceiling, wall or partition of combustible construction.

INSTALLATION OF EXTERIOR CHIMNEY PIPE:

NOTE: THE CHIMNEY MUST BE A CLASS "A" CHIMNEY IN GOOD OPERATING CONDITION. DO NOT CONNECT THIS UNIT TO CHIMNEY FLUE SERVING ANOTHER APPLIANCE.

There are two types of Class "A" Chimneys:

1. Masonry with tile liner suitable for venting residential or building heating appliance (see NFPA 211).
2. Class "A" Factory Built Chimney, listed or certified by a nationally recognized testing agency as suitable for venting residential or building heating appliances.

If your chimney has not been used for some time, have it inspected by a qualified person (Building Inspector, Fire Dept. personnel, Recognized Chimney Sweep, etc.)

If you own a masonry chimney that meets local building codes it can be used as a flue to vent your woodstove. If, however your chimney is not constructed with a liner or until a suitable liner is installed, it should NOT be used in conjunction with your woodstove. See your authorized dealer for additional information concerning chimney repair or installation of a chimney liner.

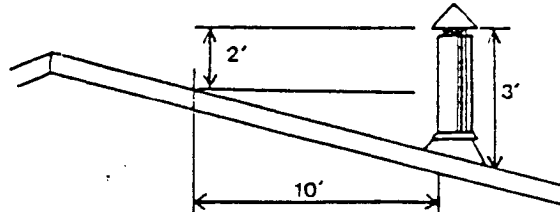
INSTALLATION INSTRUCTIONS FREESTANDING:

1. Select the location for your stove, and set the unit in place. Refer to the "Clearances to Combustibles" for your model of stove and ensure that placement of the unit is within clearances indicated.
2. Suspend a "plum bob" from the ceiling so that its tip is in the exact center of the flue of the unit. Mark this point on the ceiling.

3. Determine that the area above the ceiling is clear for cutting (i.e. that the hole for the chimney will not involve cutting any joists) and install the chimney following the instructions provided by the chimney manufacturer.

4. Mark the outline on the floor and move the unit aside. If you need to install a hearth refer to the section on "Hearth Dimensions" and outline the location of the pad.

5. The chimney and connector must be the same size as the flue collar on the stove. The chimney must be a listed factory built residential type and suitable for solid fuel.



6. Any horizontal sections of stove pipe should incline upward from the stove at least 1/4" per foot of pipe.

7. Keep the vertical length of the connector as short as possible, preferably less than 10 feet. Long sections of pipe tend to collect creosote more and are difficult to clean.

When installing the chimney pipe, please note that it must extend at least three feet above the part of the roof that the pipe passes through, and at least two feet higher than the tallest point of the roof within 10 feet.

NOTE: When installing the storm collar and flashing around the pipe, be sure to completely waterproof the edges and nail holes with MASTIC or similar sealing compound.

INSTALLING INSTRUCTIONS INTO A MASONRY CHIMNEY:

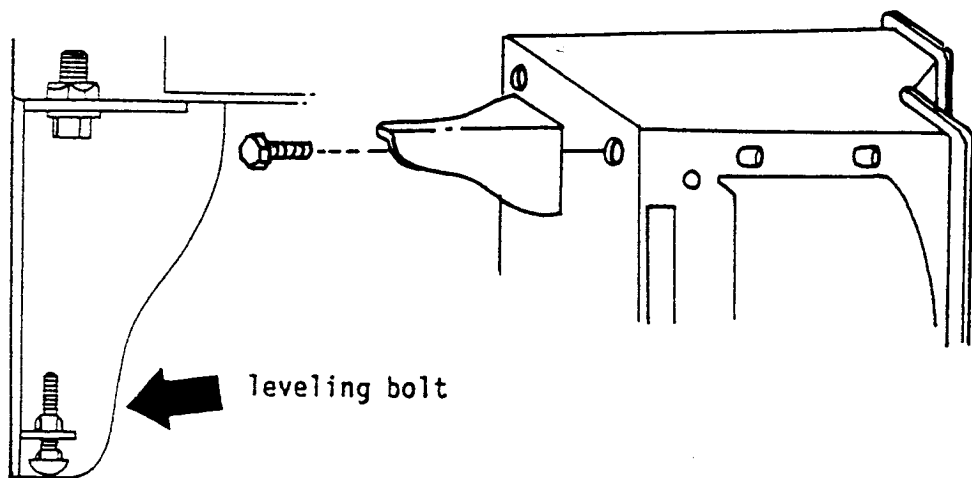
If you already have a masonry chimney, you may choose to connect the stove to it. This can be the least expensive and fastest installation.

The existing fireplace should, first, be thoroughly cleaned and inspected for an approved liner. Consult your local codes to ensure compliance. First remove your chimney damper. It is usually held in place by its own weight, and is controlled by a damper actuating mechanism. It may be necessary to remove the actuating rod to make room for the stove pipe. Center the stove in the fireplace opening and install (6' pipe for 380 and 440 - 8" pipe for 520) stove pipe just beyond the damper. Use templates to close the remaining opening of the flue. They should fit snugly around the stove pipe and extend about 1/2" beyond the edge of the damper opening. Convert the template to either 24 gauge or heavier sheet metal. Discard template; install the sheet metal, securing it to existing masonry or damper opening. Inspect it for a snug fit. Use stove cement to fill all cracks, seams and holes.

ASSEMBLING YOUR STOVE:

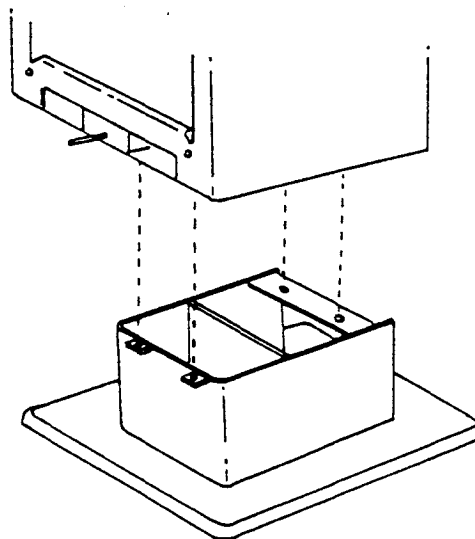
380 AND 520 LEG ASSEMBLY -

To attach the stove legs, turn the firebox onto its side atop the pallet. Using the 9/16" open end wrench attach the legs, with the supplied bolts, so that the legs are even with side of the firebox. Adjust leveling bolts in the legs using 1/2" wrench so that the unit does not rock on the hearth pad.



440 PEDESTAL ASSEMBLY -

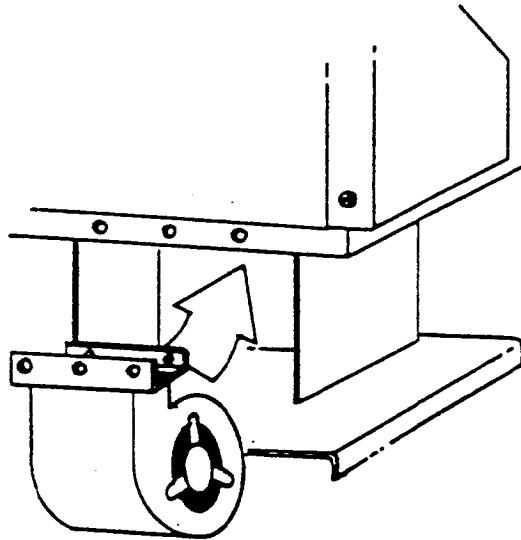
Set the pedestal in the proper position on the hearth pad. Then mount the firebox atop the pedestal, align the holes and secure using 3/16" wrench and bolts supplied in pedestal box.



IN CONVENTIONAL RESIDENCES ONLY, you have the option of attaching legs to the 440 unit following the "clearances to combustibles" for the 440, refer to leg assembly above. IN CONVENTIONAL RESIDENCES ONLY you have the option of attaching the pedestal to the 380 or 520 (if you wish to take in outside air) unit following the model's "clearances to combustibles", refer to pedestal assembly.

FAN ATTACHMENT:

Due to the close clearances on the stove it is recommended that the optional fan be added before securing the stove connector.



440 STOVE WITH OPTIONAL 465 CFM FAN:

Attach the fan by aligning holes on the fan mounting plate to the back of the stove convection air chamber. Using a 3/8" open end or socket wrench secure the three screws at the back of the air chamber with self tapping screws (supplied in 440 fan box). Then pushing the fan forward or back align the last two holes in the fan mounting plate to the corresponding holes in the pedestal angle and attach remaining two screws using a 3/8" socket wrench.

NOTE: Check fan operation before installing. Do not operate fan when stove is not in operation.

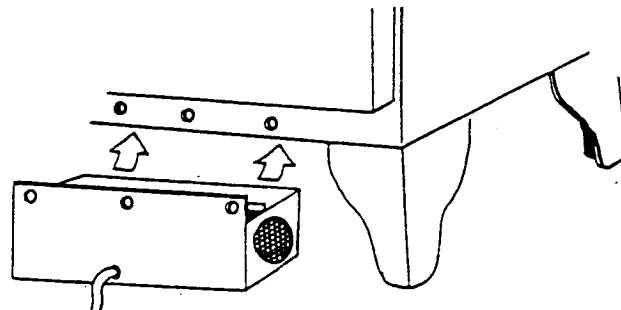
380 AND 520 STOVE WITH OPTIONAL 220 CFM FAN:

Position the fan beneath the stove so that the three holes on the fan housing match those on the convection chamber, and secure with 3/8" wrench.

380 AND 520 FAN OPERATION:

The fan rheostat (variable speed control) is located on the power cord. The rheostat gives you manual control over the fan speed and its ON, OFF function.

To operate, simply turn the control knob clockwise to the desired setting.

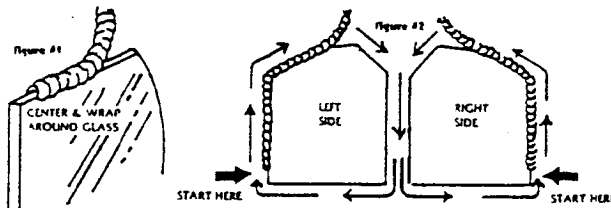


GLASS INSTALLATION:

1. Glass Gasketing

- A. From glass kit box, remove the glass and gasketing material.
- B. The gasketing is provided to ensure a proper airtight seal between the glass and the door.
- C. To attach the gasketing material, simply remove the paper backing, center and wrap around the edge of the glass.
- D. When applying gasketing material, always start on the outside lower corner (Figure 2). This will ensure that the frayed ends will not be visible when the doors are installed.
- E. Trim off any excess material.

NOTE: HANDLE DOOR AND GLASS GENTLY, NEVER SLAM OR ABUSE DOORS. REPLACE ALL BROKEN OR CRACKED GLASS.



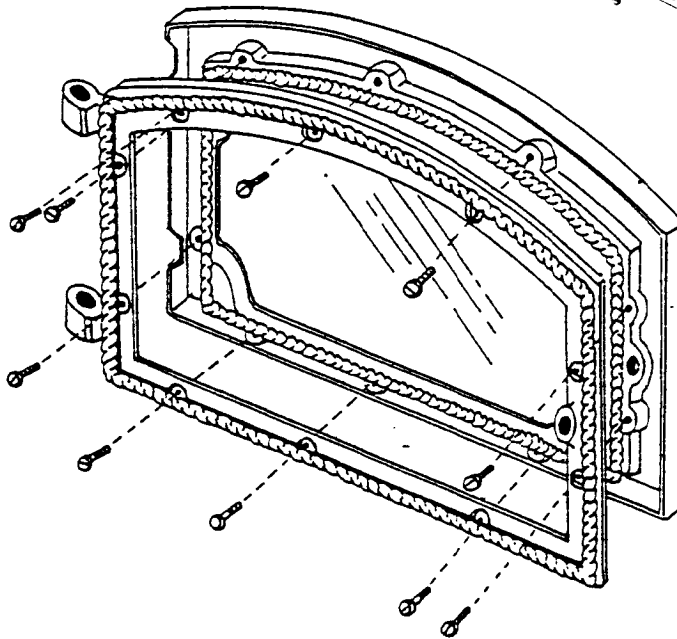
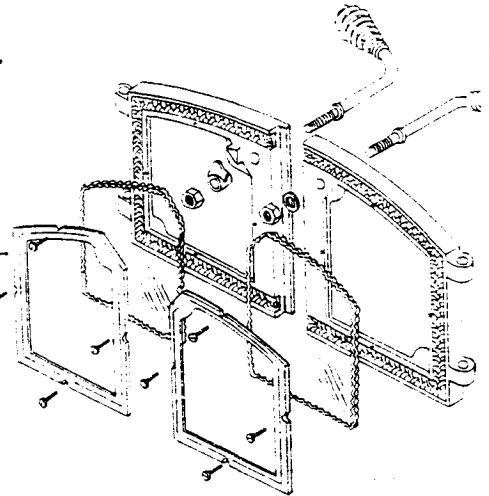
2. Glass Assembly In Doors: (Single and Double Door Units)

- A. On Double Door units remove doors from stove, and on Single Door units remove the door retainer from the box; then position face down on table. (To protect doors and work surface, place doors on a towel).
- B. Center gasketed glass into door frame. (If etched, place etched surfaces face down so that the etching will face outside when installed). On Double Door Units remove 2 cast glass retainers and 8 self tapping screws from the hardware packaging in the stove. On Single Door Units remove the large cast glass retainer (with hinges) and self tapping screws.
- C. On Double Door, place cast glass retainer over the glass and align notches with drilled holes on door. Secure retainer with 4 screws each. On Single Door place retainer over glass and center onto the single piece door. Put two screws in retainer and hang door to make sure door doesn't hit Ash Fender.

D. Tighten screws down in an even manner to ensure equal distribution of pressure on the glass. Failure to do so could result in glass breaking.

E. Secure screws until frame and glass are snug and will not move (do not overtighten).

F. If glass is broken during operation - replace immediately. USE ONLY LOPI GLASS FROM YOUR LOCAL LOPI DEALER. DO NOT SUBSTITUTE.



SINGLE DOOR HANDLE ASSEMBLY:

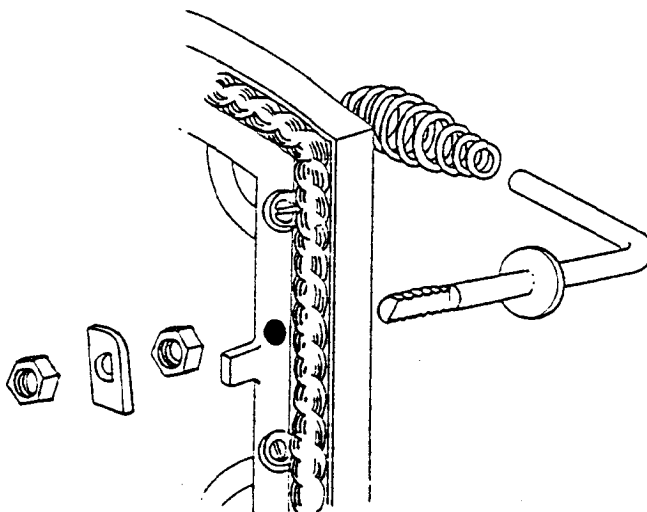
Once the glass has been installed, find the two hinge pins in the door box hardware kit and install the door onto the unit.

To install the door handle remove hardware, cast cam, securing nut and handle from hardware package in door box.

Run the handle through the door and turn the handle straight up so the "D" slot on the handle rod faces downward. Holding the handle in this position, slip the cam over the rod with the flat face of the cam facing outward. Tighten down the cam with the nut.

Do not overtighten nut against cam. You should tighten the nut about a half turn more than you can tighten the nut down by hand.

NOTE: You may wish to put a drop of Lock Tight on the threads before tightening the nut down.



Close the door and seal by lifting up and over clockwise.

To open, lift the handle and turn counter clockwise.

SPRING HANDLES:

When doors are in place on the unit you will need to install the spring handles. To install the handles, simply push the spring handle down over the metal post while at the same time turning clockwise. This will allow the spring handle to open enough to allow easy placement over the metal post.

FREE FLOATING MASONRY BAFFLE:

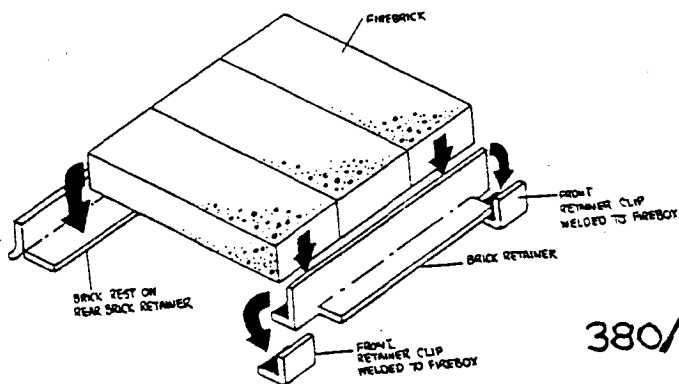
The baffle is designed to retain heat and ignite unburned volatile gases that would otherwise escape up the flue. This results in high efficiency, low particulate emissions and greater heat transfer.

DO NOT OPERATE UNIT WITHOUT FIREBRICK IN PLACE!

DOING SO WILL PRESENT A SAFETY HAZARD AND WILL VOID ALL WARRANTY.

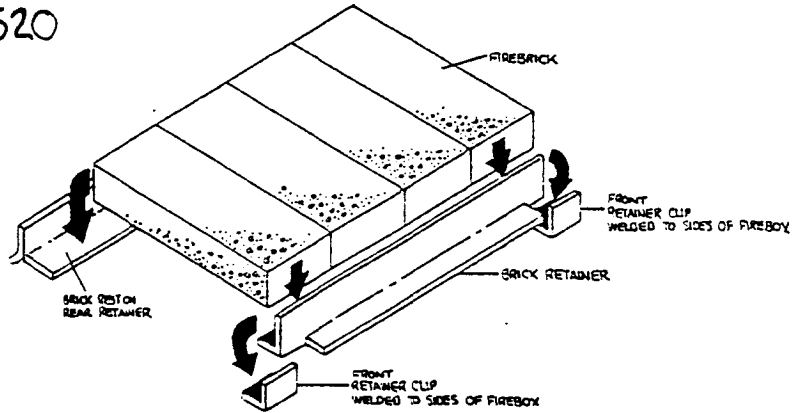
Before installing the 380/440 baffle remove 3 full firebricks and 1 angle iron support from the stove.

Before installing the 520 baffle remove 4 full firebrick and 1 angle iron support from the stove.



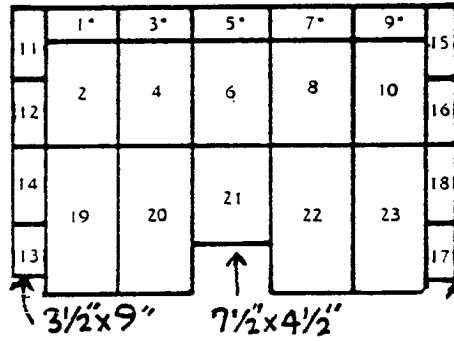
380/440

520

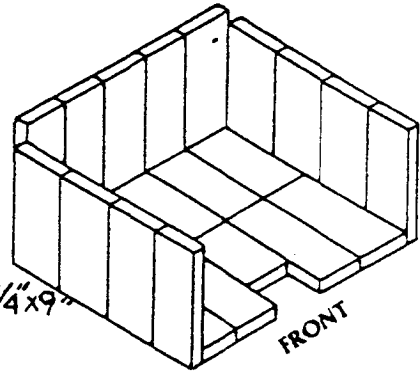


FIREBRICK ASSEMBLY:

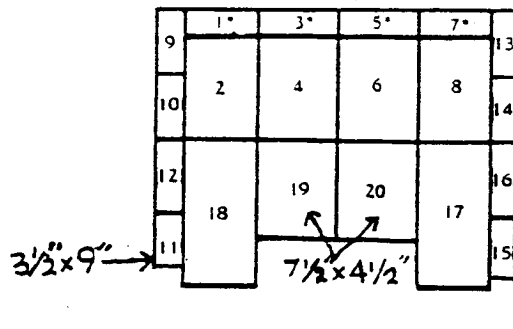
Firebrick is provided to protect and extend the life of the steel and help radiate heat evenly throughout the stove.



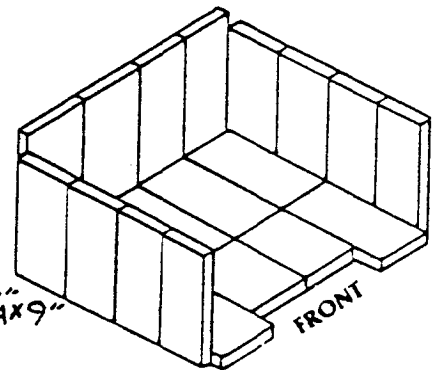
MODEL 520



Please follow the numerical sequence provided for the firebrick installation.



MODEL 380 AND 440



Please follow the numerical sequence provided for the firebox installation.

*NOTE: When installing floor bricks, lift the upright backwall bricks underneath, in this way, the backwall bricks will be set upon the floor bricks.

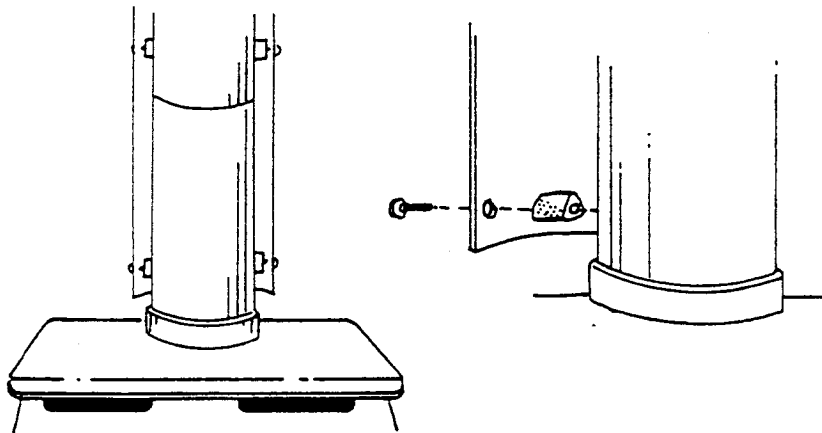
OPTIONAL LISTED PIPE SHIELD INSTALLATION INFORMATION:

Pipe shields are available in both 6" and 8" diameter sizes for LOFI freestanding stoves. These pipe shields are provided as a means of reducing clearances to combustibles (see "Clearance to Combustibles" table for your model stove).

INSTALLATION OF PIPE SHIELD:

To install your listed pipe shield, simply position the shield around the flue pipe. Make sure that the pipe shield covers the base of the connector above the flue collar. Using the holes in the pipe shield as a guide, drill four holes in the pipe connector. Be sure the drill is smaller than the securing screws.

Next, locate the metal spacers and position between the pipe shield and pipe connector. Place the securing screws through the spacers and secure snugly. Repeat on all corners.



~~PLEASE REFER TO THE
OPERATION & MAINTENANCE
GUIDE BEFORE BURNING
YOUR NEW STOVE!!!~~