

864 HO GS Fireplace

Featuring the  Burner

- Direct Vent Fireplace
- Natural Gas or Propane
- Vent Horizontally or Vertically
- Standard Residential
- Mobile Home Approved

Tested and Listed by



Intertek

Report # 100162735PRT-001 - ANSI Z21.88

WARNING: If the information in these instructions is not followed exactly, a fire or explosion may result causing property damage, personal injury or loss of life.

- Do not store or use gasoline or other flammable vapors and liquids in the vicinity of this or any other appliance.

WHAT TO DO IF YOU SMELL GAS

- Do not try to light any appliance.
- Do not touch any electrical switch; do not use any phone in your building.
- Immediately call gas supplier from a neighbor's phone. Follow the gas supplier's instructions.
- If you cannot reach your gas supplier, call the fire department.
- Installation and service must be performed by a qualified installer, service agency or the gas supplier.

This appliance may be installed in an aftermarket permanently located, manufactured home (USA only) or mobile home, where not prohibited by local codes.

This appliance is only for use with the type(s) of gas indicated on the rating plate. A conversion kit is supplied with the appliance.

WARNING



**HOT GLASS WILL
CAUSE BURNS.**

**DO NOT TOUCH GLASS
UNTIL COOLED.**

**NEVER ALLOW CHILDREN
TO TOUCH GLASS.**

Installation Manual

Installer: After installation give this manual to the home-owner and explain operation of this heater.

© Copyright 2010, T.I. \$10.00 100-01254_000
4100728



TRAVIS INDUSTRIES
HOUSE OF FIRE

www.travisproducts.com
4800 Harbour Pointe Blvd. SW
Mukilteo, WA 98275

Overview	3	Thick Facing Installation - Side View	35
Listing Details	3	Mantel Requirements	36
Installation Options	6	Steps for Finalizing the Installation	37
Heating Specifications	6	Air Shutter Adjustment	38
Dimensions	6	Glass Frame Removal and Installation	39
Packing List	7	Glass Frame Removal and Installation (continued)	40
Additional Items Required	7	Fireback Installation	41
Recommended Installation Procedure	7	Log Set Installation	42
Massachusetts Requirements	8	Back Log	42
Requirements for the Commonwealth of Massachusetts	8	Right Log	43
MANUFACTURER REQUIREMENTS	8	Center Log	44
Fireplace Placement Requirements	9	Left Log	45
Clearances	9	Left Twig	45
Raised Fireplaces	9	Right Twig	46
Min. Framing Dimensions – Rear Vent	10	Right Branch	46
Min. Framing Dimensions – Top Vent	11	Ember Installation	47
Nailing Brackets	12	Rock Wool Installation	47
Corner Installations - Rear Vent Configuration	13	LP Conversion Instructions	48
Gas Line Requirements	14	Andiron Installation	52
Fuel	14	GreenSmart™ Remote Control Installation	53
Gas Line Connection	14	GreenSmart Wiring Diagram	55
Gas Inlet Pressure	14	Installation	56
Gas Line Location	15	Power Heat Duct Installation	64
Electrical Connection	16		
Optional Wall Switch or Thermostat Installation	17		
Parallel Connection Series Connection	17		
Vent Requirements	18		
Vent Clearances	18		
Vent Firestop	18		
Altitude Considerations	18		
Approved Vent	18		
Vent Installation	18		
Vent Location and Vent Shield Position	19		
Approved Vent Configurations	20		
Restrictor Position	20		
Exhaust Restrictor	20		
Intake Restrictor	21		
Vent Configuration: Horizontal Termination (no vertical rise)	22		
Vent Configuration: Horizontal Termination (with vertical rise)	23		
Vent Configuration: Vertical Termination	24		
Termination Requirements	25		
Hearth Requirements	26		
Facing Requirements	27		
Facing and Faceplate Installation	28		
Optional Faceplates – Sizing Chart	29		
Special Instructions for Metropolitan and Victorian Lace Faces	29		
Special Instructions for Wilmington Faces	29		
Special Instructions for Louvered Grills / Rosario Faces	30		
Thin Facing Installation (tile, marble, or other non- combustible under 1" (25mm) thick)	31		
Thin Facing Installation (tile, marble, under 1" (25mm) thick) - Side View	32		
Thick Facing Installation (stone, brick, or other non- combustible over 1" (25mm) thick)	33		
Thick Facing with Fireplace Xtordinaire (FPX) Arched Faces	34		

Overview

This manual details the installation requirements for the 864 HO GS fireplace. For operating and maintenance instructions, refer to the 864 HO GS Owner's Manual (part # 100-01253).

Listing Details

This appliance was listed by Intertek Test Labs to ANSI Z21.88. The listing label is attached to the appliance near the gas control valve. A copy is shown to the right.

Massachusetts Approval

This manual has been submitted to the Massachusetts Board of State Examiners of Plumbers and Gas Fitters

National Fireplace Institute

**NATIONAL
FIREPLACE
INSTITUTE**



CERTIFIED
www.nficertified.org

We suggest that our gas hearth products be installed and serviced by professionals who are certified in the U.S. by the National Fireplace Institute® (NFI) as NFI Gas Specialists.

864 HO GS
Vented Gas
Fireplace Heater
Certified in the US and Canada

Refer to ANSI Z21.88-2013, 2015, 2018, 2020, 2023, "National Gas Fireplace Heaters", CGA 1.2-2021, UL 307-1885 "Gas Heating Heating Appliances for Manufacture Homes", and CSA 2.2-14, 16.

This appliance must be installed in accordance with local codes, if any, or the National Fuel Gas Code, International Residential Code, or other applicable codes. This appliance is not to be installed in a mobile home, in Canada or with the Manufactured Home Construction and Safety Standard, Title 24 CFR, Part 3281, in the United States, when such a standard is not applicable. ASHRAE 154.2, NFPA 50A, Manufactured Home Installation Standard.

This vented gas fireplace heater is equipped at the factory for use with natural gas. If conversion to propane (L.P.) is desired, the optional factory conversion kit must be used.

Never use this fireplace heater as a space heater. This fireplace heater is not for use with air flow, permanently located, manufactured (mobile) home (USA only) when not prohibited by local codes. See owner's manual for details. This appliance is not convertible for use with other gases, unless a certified kit is used.

The vented gas fireplace heater is not for use with air flow.

Only an authorized service technician should adjust or repair this appliance. For assistance or additional information, contact a qualified installer, service agency or the gas supplier.

WARNING: This appliance must be properly vented to a venting system in accordance with the manufacturer's installation instructions. Use only approved venting systems as specified in the manufacturer's installation instructions. Improper installation, adjustment, alteration, service or maintenance can cause injury or property damage. Refer to the owner's information manual provided with the appliance. For assistance or additional information, contact a qualified installer, service agency or the gas supplier.

VENTED GAS FIREPLACE HEATER - NOT FOR USE WITH SOLID FUEL

CAUTION: Hot while in operation. Do Not Touch. Severe burns may result. Keep children, clothing, furniture, gasoline and other liquids having flammable vapors away. Do not operate this appliance if you notice any gas odors or fumes. Replacement of the panels should be done by a licensed or qualified service person.

688

MINIMUM CLEARANCES TO COMBUSTIBLES					
Fireplace to Adjacent Wall	5.0" (127 mm)	Base of Fireplace to Enclosure Top	56.3" (1432 mm)	L.S.	M.S.
Wood Floor Beneath Fireplace	0" (0 mm)	Sides to Enclosure	5.0" (127 mm)	11	5.5
Back to Enclosure	0" (0 mm)	Base of Fireplace to a 12" (305mm) Min.H"	52.2" (1340 mm)	13	7
			(*See manual for other sized depths)	16	3.5

Input Rate on "H" (BTU/hr)	46,700	M.S.
Input Rate on "L" (BTU/hr)	9,600	M.S.

Minimum Inlet Pressure (inches W.C.) 11 5.5
Maximum Inlet Pressure (inches W.C.) 13 7
Minimum Pressure on "H" (inches W.C.) 16 3.5

For natural gas when equipped with the following oil gas orifice: DMS #46 Front - #29 Rear
For propane when equipped with the following orifice size orifice: DMS 1.25mm Front - #625" Rear
This appliance is equipped for use only at altitudes up to 6000 feet (1829m) in the USA, in Canada, up to 5000 feet (1524m).
For altitudes above 2000 feet, the vent configuration, orifice, or combination of both may need to be changed.
See the owner's manual for information on making these changes.
Electrical Rating: 115V, 2.0 Amps, 60 Hz

Manufacture

Date:

2010 Jan. Apr. Jul. Oct.

2011 Feb. May Aug. Nov.

2012 Mar. Jun. Sep. Dec.

TRAVIS INDUSTRIES
HOUSE OF FIRE
4500 Markham Pointe Blvd. SW
Burien, WA 98148
www.travisindustries.com

Safety Warnings:

- Failure to follow all of the requirements may result in property damage, bodily injury, or even death.
- This unit must be installed by a qualified installer to prevent the possibility of an explosion.
- This appliance must be installed in accordance with all local codes, if any; if not, in U.S.A. follow ANSI Z223.1 and NFPA 54(88), in Canada follow CSA B149.1.
- A manufactured home (USA only) or mobile home OEM installation must conform with the Manufactured Home Construction and Safety Standard, Title 24 CFR, Part 3280, or, when such a standard is not applicable, the Standard for Manufactured Home Installations, ANSI/NCSBCS A225.1, or Standard for Gas Equipped Recreational Vehicles and Mobile Housing, CSA Z240.4. This appliance may be installed in Manufactured Housing only after the home is site located.
- All exhaust gases must be vented outside the structure of the living-area. Combustion air is drawn from outside the living-area structure. The venting must not be connected to a chimney flue serving a separate solid-fuel burning appliance.
- Notify your insurance company before hooking up this fireplace.
- The room heater should be inspected before use and at least annually by a qualified service person. More frequent cleaning may be required due to excessive lint from carpeting, bedding material, etc.
- The instructions in this manual must be strictly adhered to. Do not use makeshift methods or compromise in the installation. Improper installation will void the warranty and safety listing.
- This heater is approved for use with natural gas (NG) or propane (LP). Burning the incorrect fuel will void the warranty and safety listing and may cause an extreme safety hazard. Direct questions about the type of fuel used to your dealer.
- Contact your local building officials to obtain a permit and information on any installation restrictions or inspection requirements in your area.
- If the flame becomes sooty, dark orange in color, or extremely tall, do not operate the heater. Call your dealer and arrange for proper servicing.
- It is imperative that control compartments, screens, or circulating air passageways of the heater be kept clean and free of obstructions. These areas provide the air necessary for safe operation.
- Do not operate the heater if it is not operating properly in any fashion or if you are uncertain. Call your dealer for a full explanation of your heater and what to expect.
- Do not store or use gasoline or other flammable liquids in the vicinity of this heater.
- Do not operate if any portion of the heater was submerged in water or if any corrosion occurs. Immediately call a qualified service technician to inspect the appliance and to replace any part of the control system and any gas control which has been under water.
- Do not place clothing or other flammable items on or near the heater. Because this heater can be controlled by a thermostat there is a possibility of the heater turning on and igniting any items placed on or near it.
- Light the heater using the built-in igniter. Do not use matches or any other external device to light your heater.
- Never remove, replace, modify or substitute any part of the heater unless instructions are given in this manual. All other work must be done by a trained technician. Don't modify or replace orifices.
- The viewing glass should be opened only for conducting service.
- Any safety screen or guard removed for servicing must be replaced prior to operating the heater.

Safety Warnings (continued):

- Allow the heater to cool before carrying out any maintenance or cleaning.
- Operate the heater according to the instructions included in this manual.
- If the main burners do not start correctly turn the gas off and call your dealer for service.
- This unit is not for use with solid fuel.
- Do not place anything inside the firebox (except approved Travis Industries components).
- **Warning:** Do not operate appliance with the glass front removed, cracked or broken. Replacement of the glass should be done by a licensed or qualified service person.
- Do not throw this manual away. This manual has important operating and maintenance instructions that you will need at a later time. Always follow the instructions in this manual.
- Young children should be carefully supervised when they are in the same room as the appliance. Toddlers, young children and others may be susceptible to accidental contact burns. A physical barrier is recommended if there are at risk individuals in the house. To restrict access to a fireplace or stove, install an adjustable safety gate to keep toddlers, young children and other at risk individuals out of the room and away from hot surfaces.
- Children and adults should be alerted to the hazards of high surface temperature and should stay away to avoid burns or clothing ignition. Do not touch the hot surfaces of the heater. Educate all children of the danger of a high-temperature heater.
- Due to the high temperature, the heater should be located out of traffic and away from furniture and draperies.
- Instruct everyone in the house how to shut gas off to the appliance and at the gas main shutoff valve. The gas main shutoff valve is usually next to the gas meter or propane tank and requires a wrench to shut off.
- **Travis Industries, Inc. grants no warranty, implied or stated, for the installation or maintenance of your heater, and assumes no responsibility of any consequential damage(s).**

Installation Options

- Residential or Mobile Home
- Straight or Corner Placement
- Flush or Recessed Face
- Raised or Floor Placement
- Internal or External Chase
- Bedroom Approved

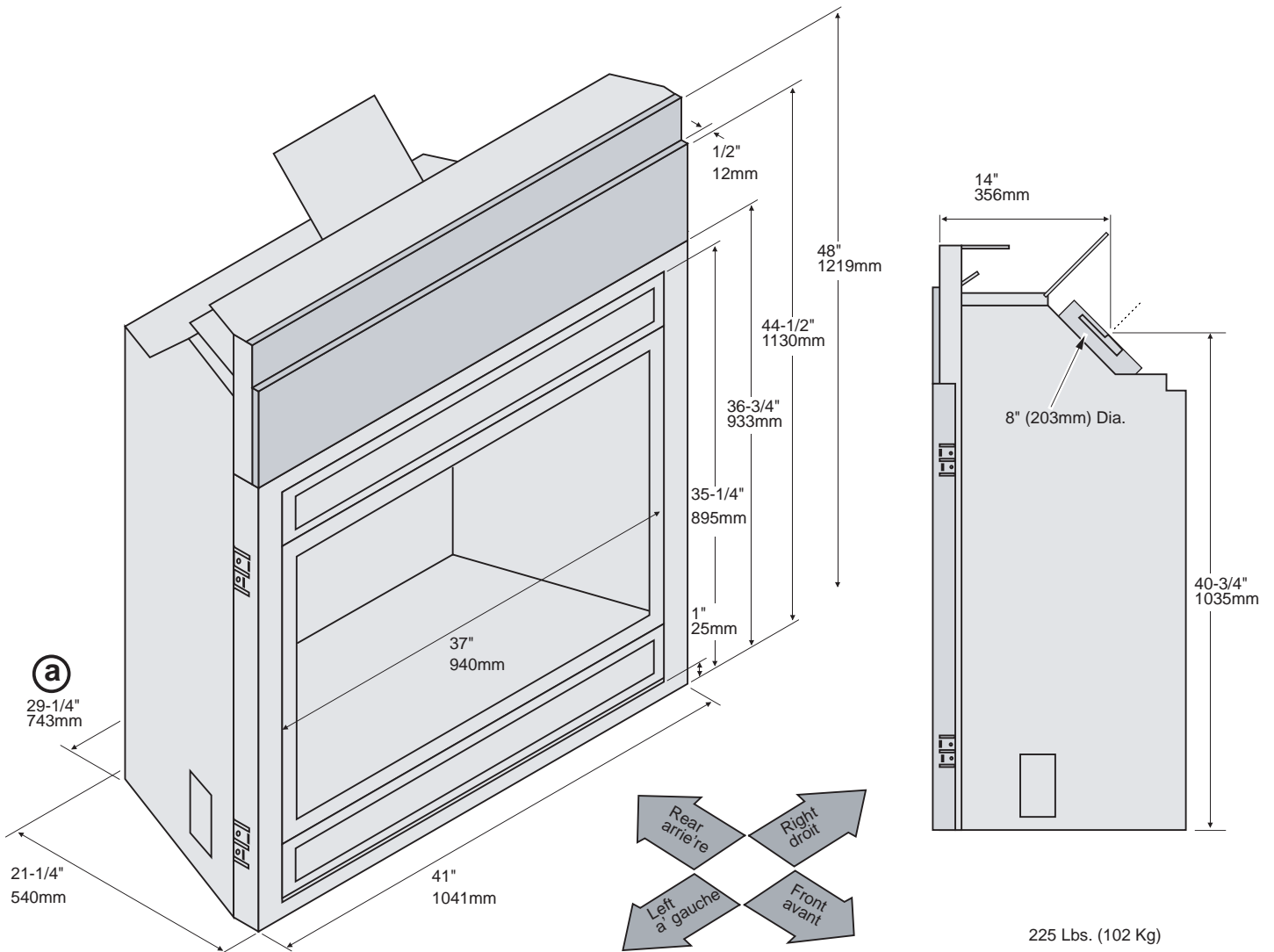
Heating Specifications

	Natural Gas	Propane
Approximate Heating Capacity (in square feet)*	Up to 2,500	Up to 2,500
Maximum BTU Input Per Hour	46,700	46,700

* Heating capacity will vary with floor plan, insulation, and outside temperature.

** Efficiency rating is a product thermal efficiency rating determined under continuous operation independent of installed system.

Dimensions



Packing List

- Propane Conversion Kit
- Log Set
- Grate
- On/Off Switch, Cover Plate, and Wire
- 4 AA Batteries, 1 9Volt Battery

Additional Items Required

- 864 Fireback
- Direct Vent
- Gas Line Equipment (shutoff valve, pipe, etc.)
- Electrical Equipment (min. 14 gauge, grounded line)

Recommended Installation Procedure

- Frame the opening for the fireplace. Make sure to allow for vent installation.
- This fireplace is designed to accommodate 1/2" (13mm) or 5/8" (16mm) drywall (see "Nailing Brackets" on page 11 for details). Secure the fireplace to the framing.
- Install the vent, gas line and electrical hook-up.
- Install the drywall.
- Install the hearth (if applicable).
- Install the facing (if applicable).
- Install the mantel (if applicable).
- Finalize the installation (see page 36) and install the grill or face.

Massachusetts Requirements

NOTE: The following requirements reference various Massachusetts and national codes not contained in this document.

Requirements for the Commonwealth of Massachusetts

For all side wall horizontally vented gas fueled equipment installed in every dwelling, building or structure used in whole or in part for residential purposes, including those owned or operated by the Commonwealth and where the side wall exhaust vent termination is less than seven (7) feet above finished grade in the area of the venting, including but not limited to decks and porches, the following requirements shall be satisfied:

Installation of Carbon Monoxide Detectors

At the time of installation of the side wall horizontal vented gas fueled equipment, the installing plumber or gasfitter shall observe that a hard wired carbon monoxide detector with an alarm and battery back-up is installed on the floor level where the gas equipment is to be installed. In addition, the installing plumber or gasfitter shall observe that a battery operated or hard wired carbon monoxide detector with an alarm is installed on each additional level of the dwelling, building or structure served by the side wall horizontal vented gas fueled equipment. It shall be the responsibility of the property owner to secure the services of qualified licensed professionals for the installation of hard wired carbon monoxide detectors.

In the event that the side wall horizontally vented gas fueled equipment is installed in a crawl space or an attic, the hard wired carbon monoxide detector with alarm and battery back-up may be installed on the next adjacent floor level.

In the event that the requirements of this subdivision can not be met at the time of completion of installation, the owner shall have a period of thirty (30) days to comply with the above requirements; provided, however, that during said thirty (30) day period, a battery operated carbon monoxide detector with an alarm shall be installed.

Approved Carbon Monoxide Detectors

Each carbon monoxide detector as required in accordance with the above provisions shall comply with NFPA 720 and be ANSI/UL 2034 listed and IAS certified.

Signage

A metal or plastic identification plate shall be permanently mounted to the exterior of the building at a minimum height of eight (8) feet above grade directly in line with the exhaust vent terminal for the horizontally vented gas fueled heating appliance or equipment. The sign shall read, in print size no less than one-half (1/2) inch in size, "GAS VENT DIRECTLY BELOW. KEEP CLEAR OF ALL OBSTRUCTIONS".

Inspection

The state or local gas inspector of the side wall horizontally vented gas fueled equipment shall not approve the installation unless, upon inspection, the inspector observes carbon monoxide detectors and signage installed in accordance with the provisions of 248 CMR 5.08(2)(a)1 through 4.

Exemptions

The following equipment is exempt from 248 CMR 5.08(2)(a)1 through 4:

- The equipment listed in Chapter 10 entitled "Equipment Not Required To Be Vented" in the most current edition of NFPA 54 as adopted by the Board; and
- Product Approved side wall horizontally vented gas fueled equipment installed in a room or structure separate from the dwelling, building or structure used in whole or in part for residential purposes.

MANUFACTURER REQUIREMENTS**Gas Equipment Venting System Provided**

When the manufacturer of Product Approved side wall horizontally vented gas equipment provides a venting system design or venting system components with the equipment, the instructions provided by the manufacturer for installation of the equipment and the venting system shall include:

- Detailed instructions for the installation of the venting system design or the venting system components; and
- A complete parts list for the venting system design or venting system.

Gas Equipment Venting System NOT Provided

When the manufacturer of a Product Approved side wall horizontally vented gas fueled equipment does not provide the parts for venting the flue gases, but identifies "special venting systems", the following requirements shall be satisfied by the manufacturer:

- The referenced "special venting system" instructions shall be included with the appliance or equipment installation instructions; and
- The "special venting systems" shall be Product Approved by the Board, and the instructions for that system shall include a parts list and detailed installation instructions.

A copy of all installation instructions for all Product Approved side wall horizontally vented gas fueled equipment, all venting instructions, all parts lists for venting instructions, and/or all venting design instructions shall remain with the appliance or equipment at the completion of the installation.

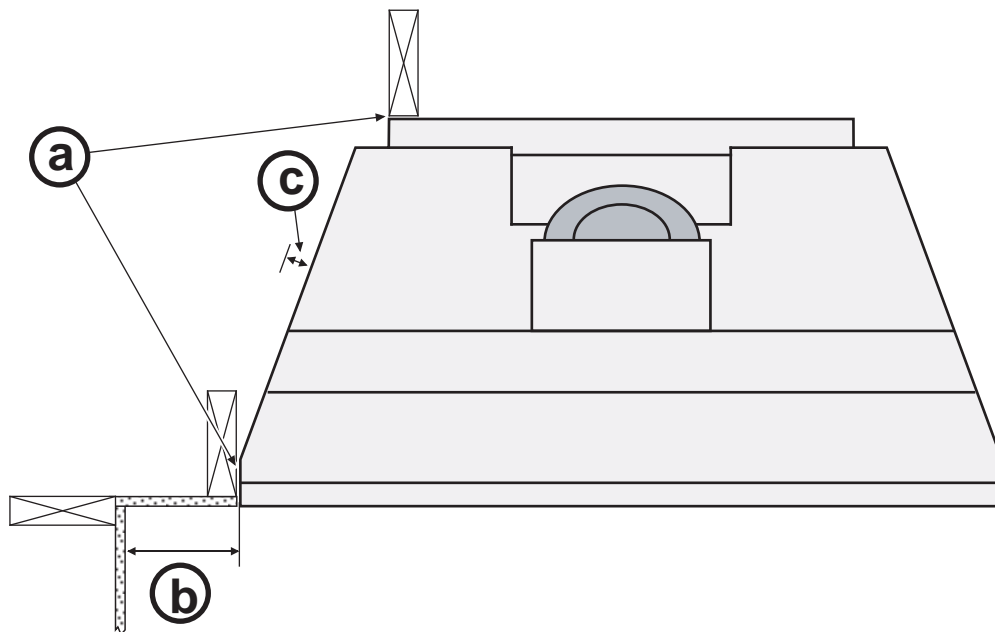
See Gas Connection section for additional Commonwealth of Massachusetts requirements.

Fireplace Placement Requirements

- Fireplace must be installed on a level surface capable of supporting the fireplace and vent
- Fireplace must be placed directly on wood or non-combustible surface (not on linoleum or carpet)
- Fireplace should be located out of traffic and away from furniture and draperies.
- Fireplace must be placed so the gaps below and above the glass frame do not become blocked.
- Fireplace may be placed in a bedroom. Please be aware of the large amount of heat this appliance produces when determining a location.

Clearances

- (a) Clearance to Side and Rear of Fireplace 0" (0mm)
- (b) When installed, walls in front of the fireplace must be a minimum 5" (127mm) to the side of the fireplace. Do not place insulation in this space.
- (c) Clearance to Angled Sides of Fireplace ½" (12mm)



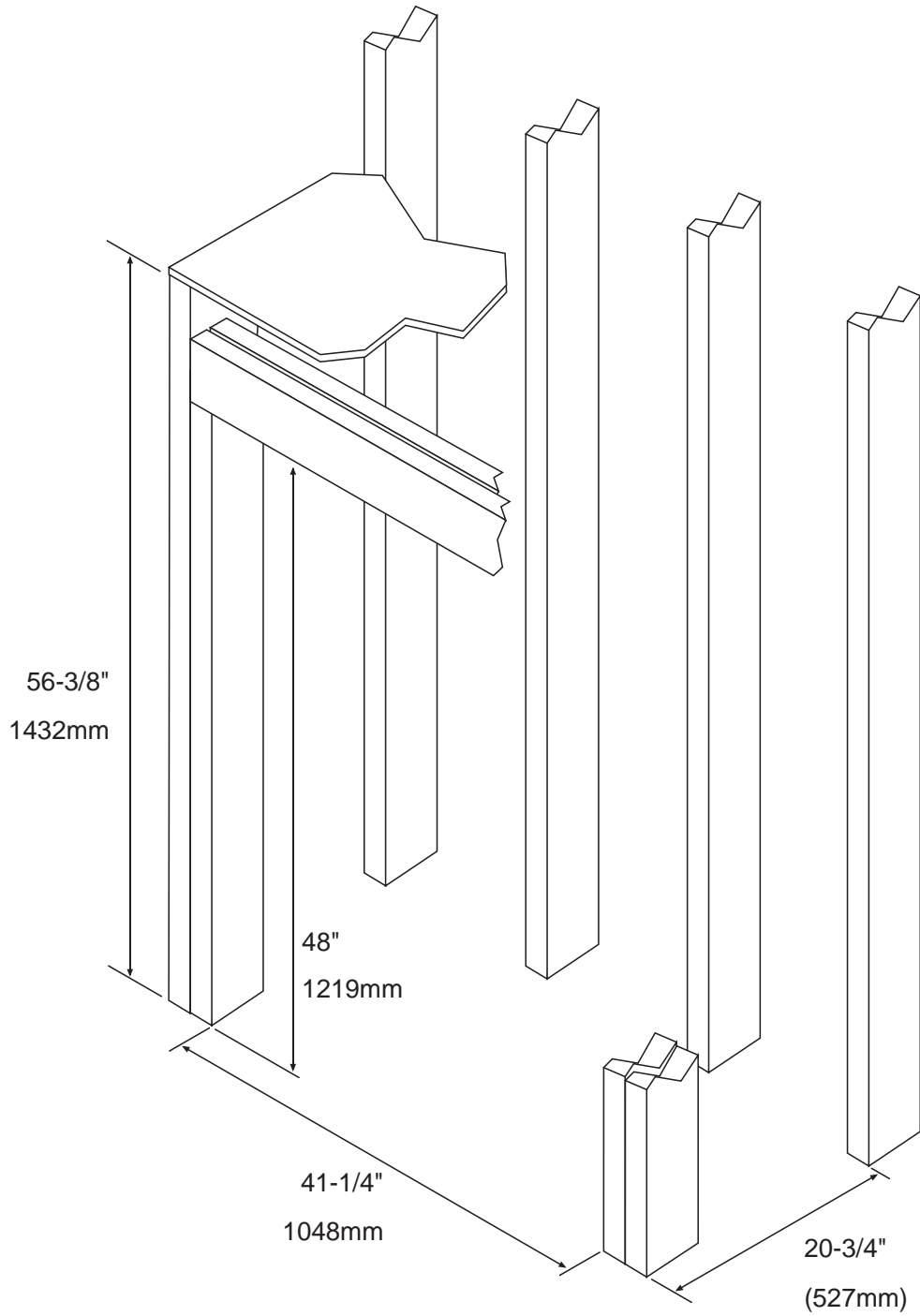
Raised Fireplaces

- The fireplace (and hearth, if desired) may be placed on a platform designed to support the fireplace and vent.

10

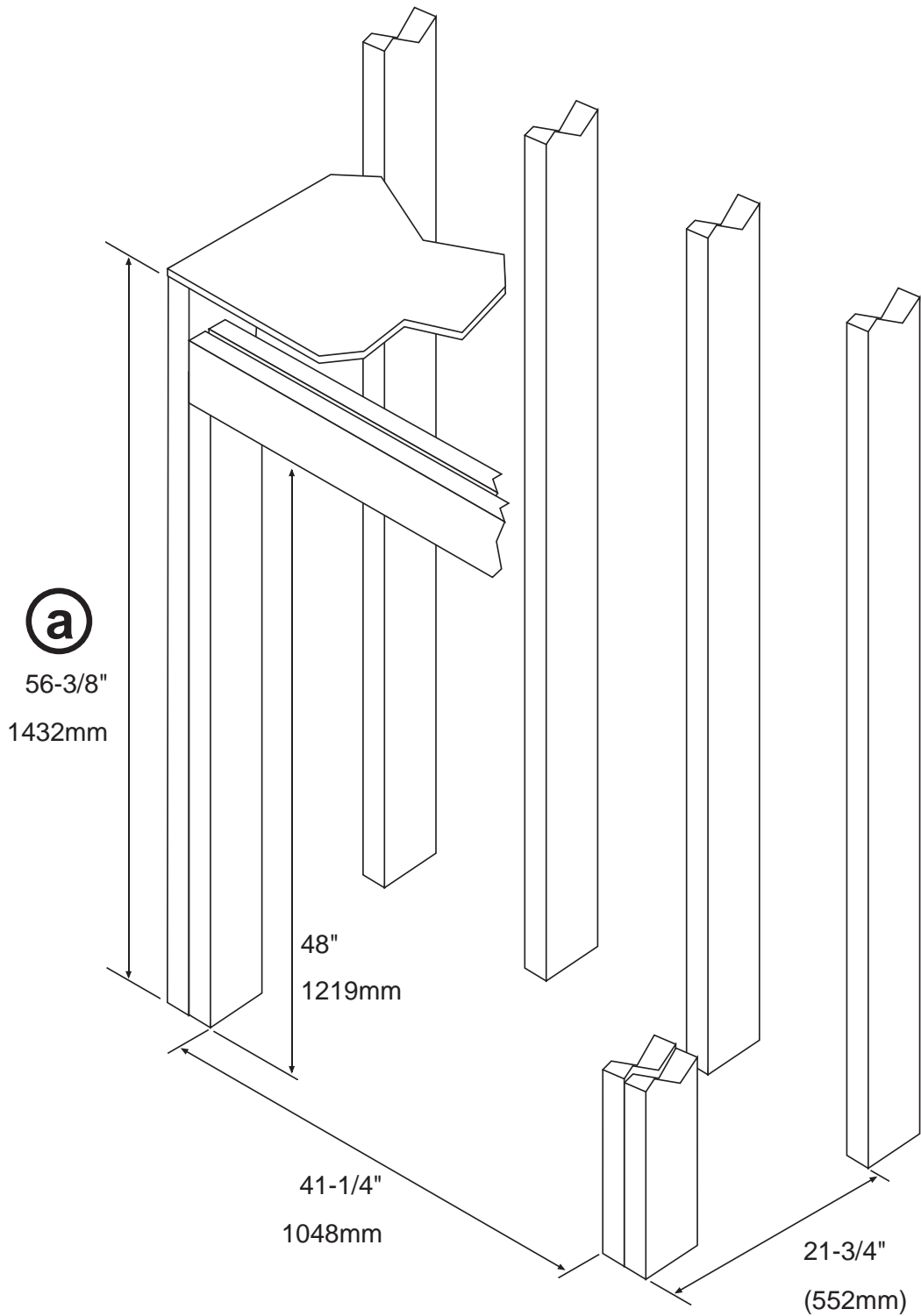
Installation (for qualified installers only)

Min. Framing Dimensions – Rear Vent



Min. Framing Dimensions – Top Vent

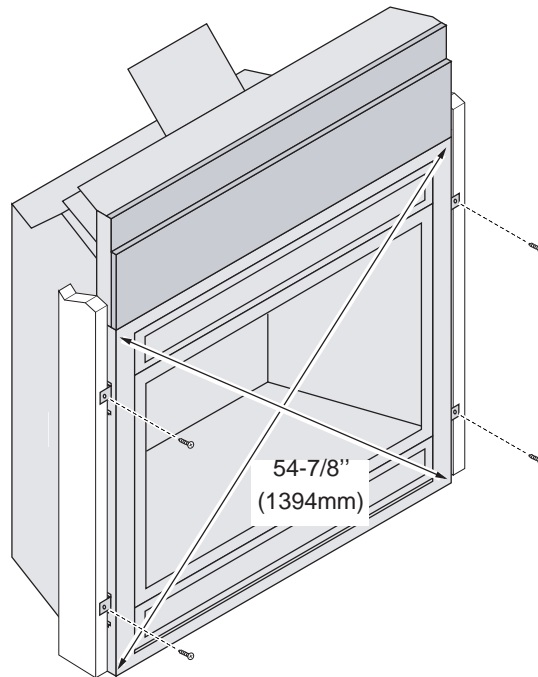
NOTE: When the vent is routed vertically the framing must accommodate the vent and required 1" clearance. The framing dimensions below reflect the additional 1" depth required.



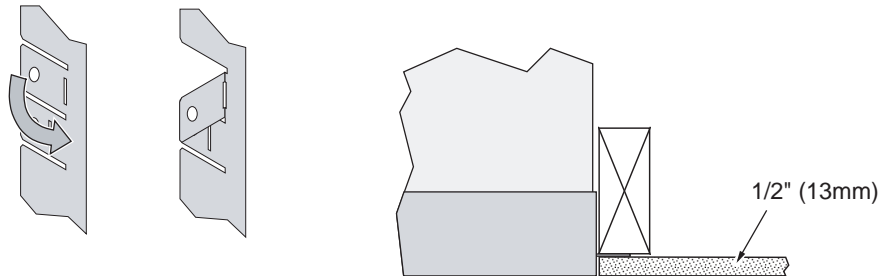
Nailing Brackets

The fireplace has nailing brackets on both sides. Secure the fireplace to the framing.

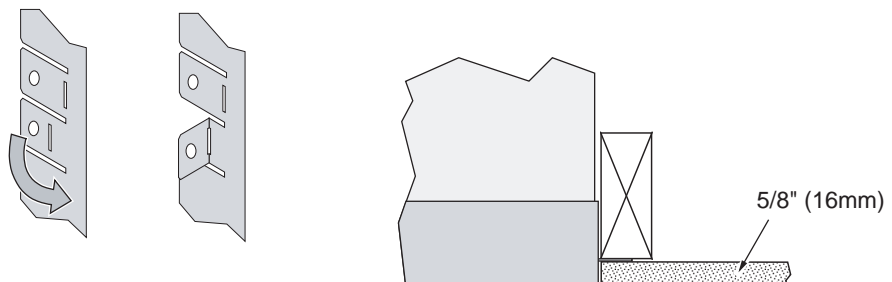
NOTE: Make sure the fireplace is square and plumb when placed in the framing. Measured corner-to-corner the fireplace should be square (approx. 54-7/8" – 1394mm). See the illustration below. Use shims to insure the fireplace is square.



1/2" (13mm)



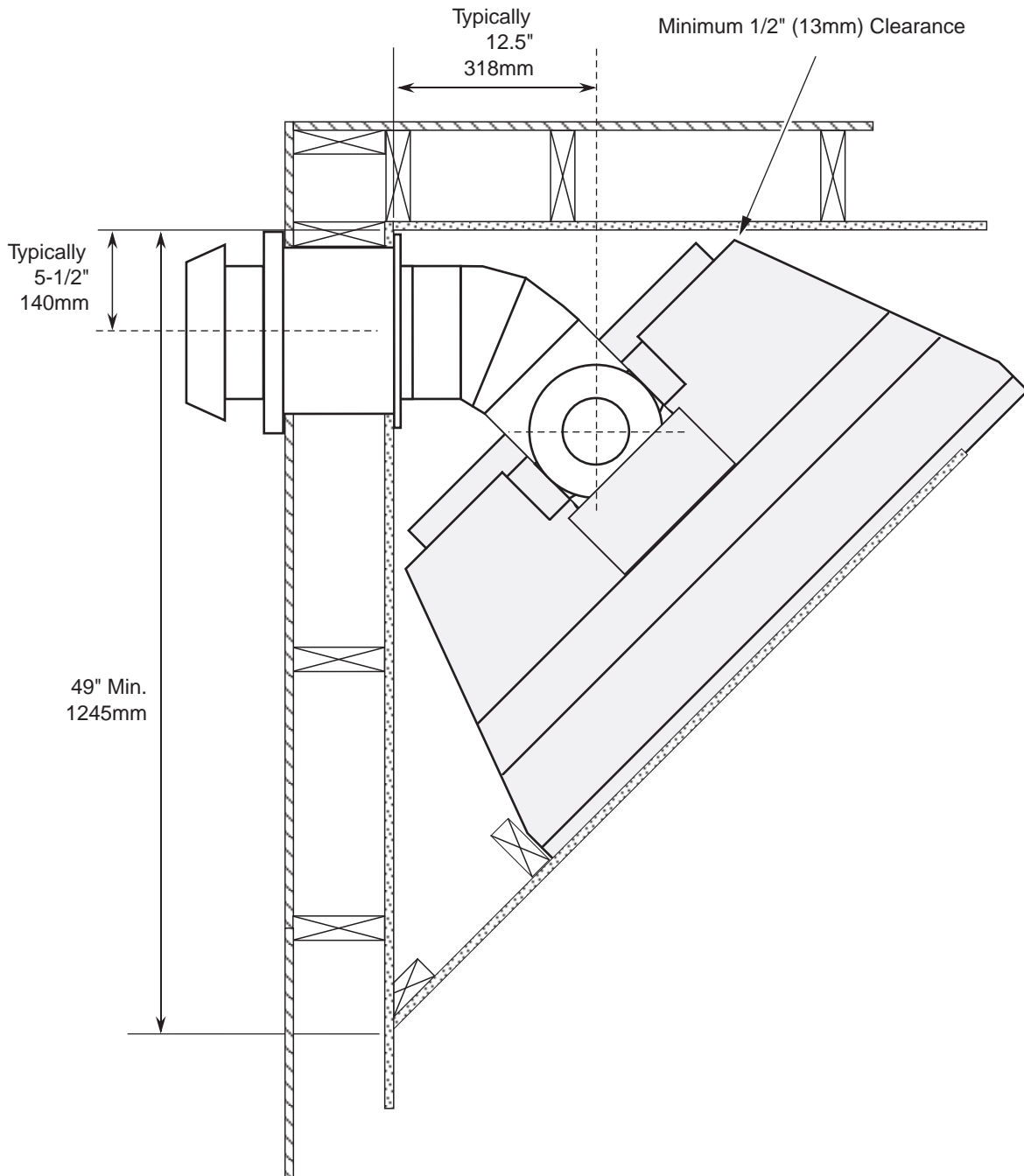
5/8" (16mm)



Corner Installations - Rear Vent Configuration

A typical 45° installation uses the framing dimensions shown in the illustration below (NOTE: all clearances still apply).

NOTE: When venting horizontally, use minimum vent kit "C" (96200316) with one additional 45° elbow.



Gas Line Requirements

MASSACHUSETTS INSTALLATIONS - **WARNING:**

THIS PRODUCT MUST BE INSTALLED BY A LICENSED PLUMBER OR GAS FITTER WHEN INSTALLED WITHIN THE COMMONWEALTH OF MASSACHUSETTS.

OTHER MASSACHUSETTS CODE REQUIREMENTS:

- Flexible connector must not be longer than 36 inches.
- Shutoff valve must be a "T" handle gas cock.
- Only direct vent sealed combustion products are approved for bedrooms or bathrooms.
- Fireplace dampers must be removed or welded in the open position prior to the installation of a fireplace insert or gas log.
- A carbon monoxide (CO) detector is required in the same room as the appliance.

- The gas line must be installed in accordance with all local codes, if any; if not, follow ANSI 223.1 and NFPA 54(88), in Canada follow CSA B149.1 and the requirements listed below.
- The fireplace and gas control valve must be disconnected from the gas supply piping during any pressure testing of that system at test pressures in excess of 1/2 psig (3.5 kPA). For pressures under 1/2 psig (3.5 kPA), isolate the gas supply piping by closing the manual shutoff valve.
- Leak test all gas line joints and the gas control valve prior to and after starting the fireplace.
- This unit has been listed using the included internal gas shutoff valve.

Fuel

- This fireplace is designed either for natural gas or for propane (but not for both).

Gas Line Connection

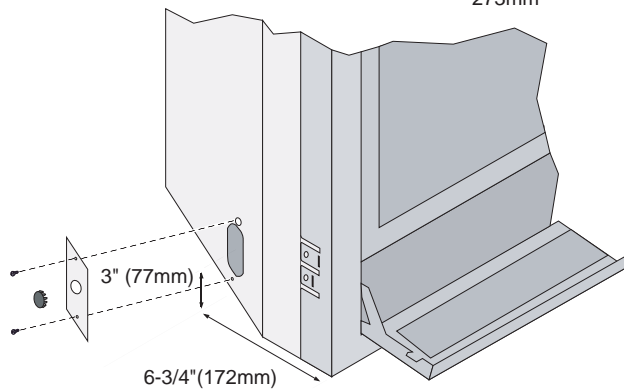
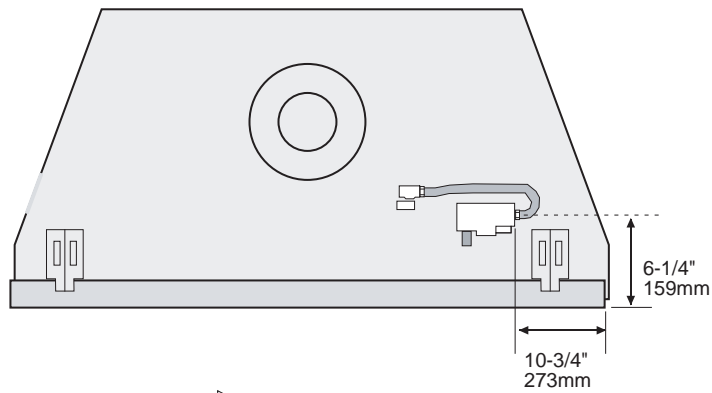
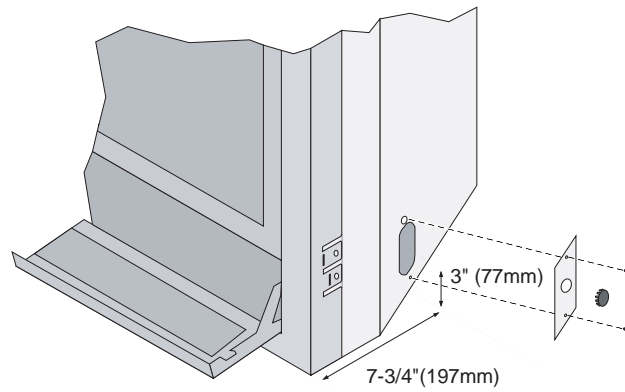
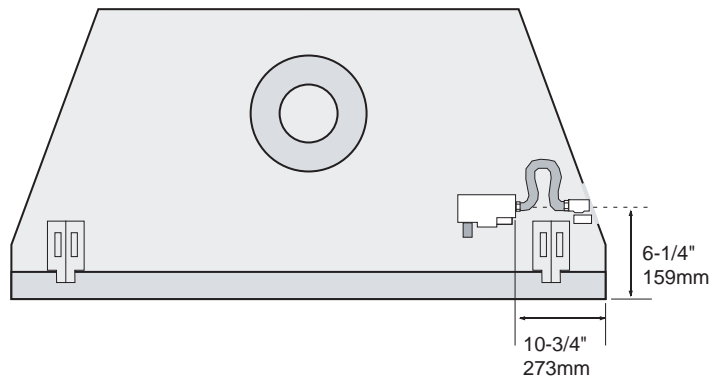
- Installation must be performed by a qualified installer, service agency or the gas supplier (In Massachusetts a licensed plumber/gasfitter).

Gas Inlet Pressure

	Maximum Input Pressure	Minimum Input Pressure
Natural Gas	7" W.C. (1.74 kPA)	5.5" W.C. (1.37 kPA)
Propane	13" W.C. (3.23 kPA)	11" W.C. (2.74 kPA)

- If the pressure is not sufficient, make sure the piping used is large enough, the supply regulator is adequately adjusted, and the total gas load for the residence does not exceed the amount supplied.
- The supply regulator (the regulator that attaches directly to the residence inlet or to the propane tank) should supply gas at the input pressure listed above. Contact the local gas supplier if the regulator is at an improper pressure.

Gas Line Location



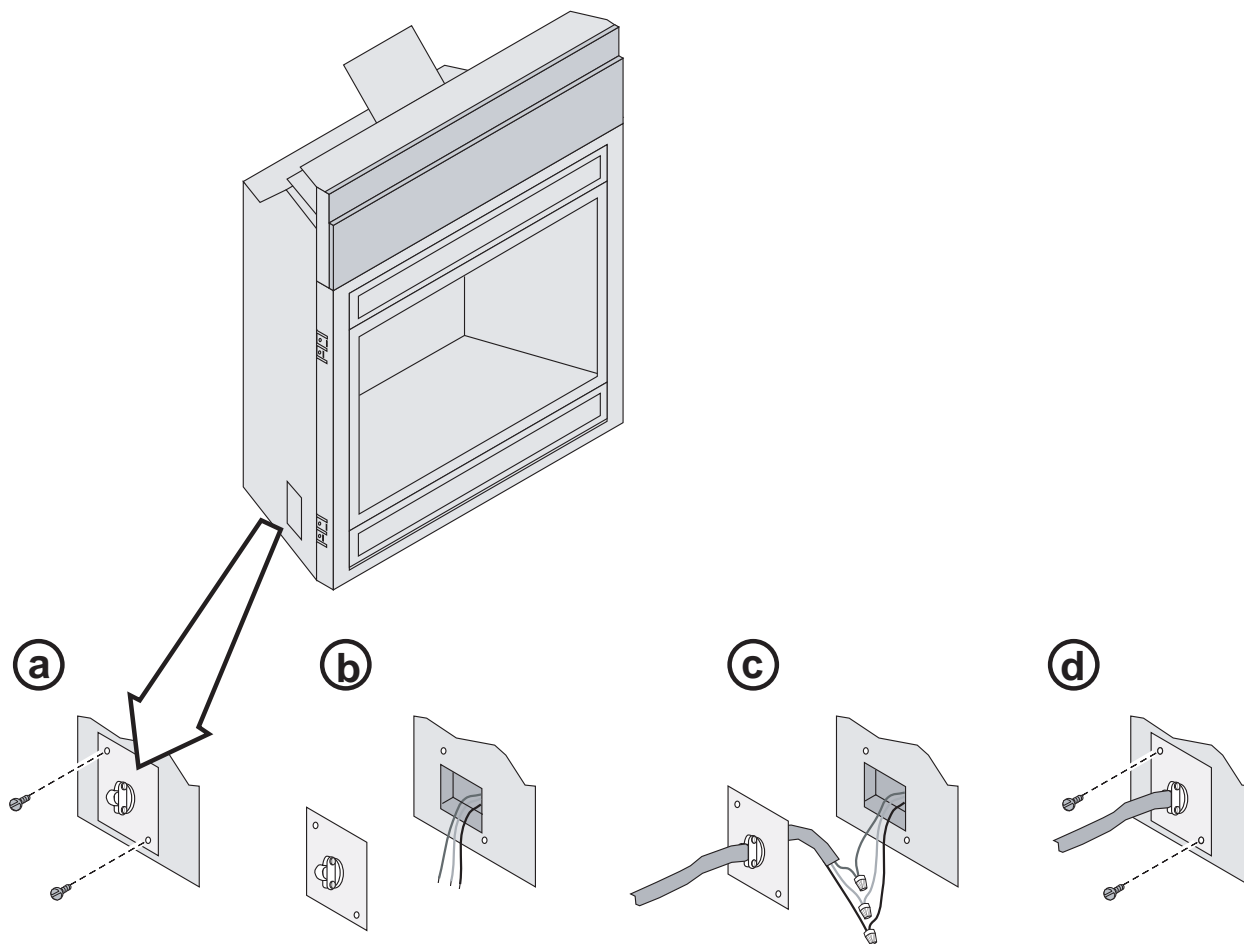
Electrical Connection

- The electrical line to the grounded receptacle inside the fireplace must be installed by a qualified installer and must meet all local codes.
- Make sure the household breaker is shut off prior to working on any electrical lines.
- The appliance, when installed, must be electrically grounded in accordance with local codes or, in the absence of local codes, with the National Electrical Code, ANSI/NFPA 70, or the Canadian Electrical Code, CSA C22.1.
- The electrical line must be a min. 14 gauge, and supply 120 Volts, 60 Hz, and 5.7 Amps.
- Route the electrical connection through the junction box cover plate and attach to the hookup wires pictured below.

Caution: Label all wires prior to disconnection when servicing controls. Wiring errors can cause improper and dangerous operation.



Do not connect 110-120 VAC to the gas control valve or wiring system of this fireplace.



Optional Wall Switch or Thermostat Installation



Do not connect 110-120 VAC to the gas control valve or wiring system of this fireplace. The switch and wiring must be installed by a qualified installer.

This fireplace includes an optional wall switch (with wire) to operate the fireplace burner without accessing the internal on/off switch. A thermostat may be used instead.

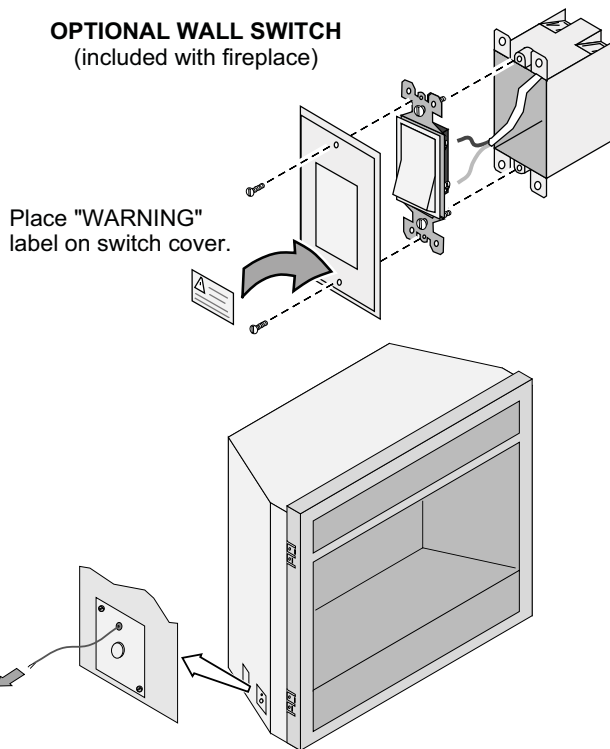
Route the wire from inside the fireplace, through the grommet on either side of the fireplace near the gas inlet (see at right) to the switch. The wall switch (or thermostat) may bypass the fireplace on/off switch or be installed in parallel or series configuration (see below).

Caution: Label all wires prior to disconnection when servicing controls. Wiring errors can cause improper and dangerous operation.

Note: When using a GreenSmart™ remote, use the receiver for on/off operation (do not use a wall switch or thermostat).

Warning: Make sure all wiring is secure and does not contact hot or moving components.

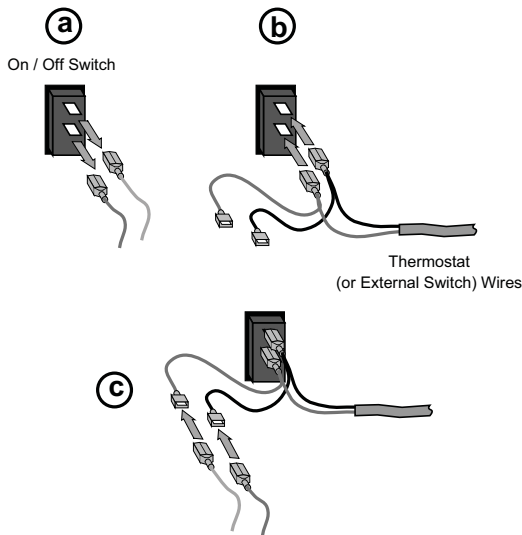
OPTIONAL WALL SWITCH
(included with fireplace)



Parallel Connection

	On / Off Switch ON	On / Off Switch OFF
Thermostat / External Switch ON	Heater is ON	Heater is ON
Thermostat / External Switch OFF	Heater is ON	Heater is OFF

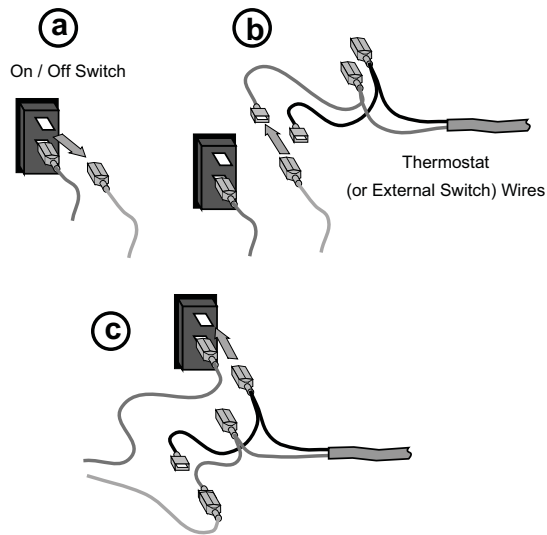
To wire the heater in parallel, follow the directions below:



Series Connection

	On / Off Switch ON	On / Off Switch OFF
Thermostat / External Switch ON	Heater is ON	Heater is OFF
Thermostat / External Switch OFF	Heater is OFF	Heater is OFF

To wire the heater in series, follow the directions below:



Vent Requirements

- The gas appliance and vent system must be vented directly to the outside of the building, and never be attached to a chimney serving a separate solid fuel or gas-burning appliance. Each direct vent gas appliance must use its own separate vent system.
- In addition to the requirements listed here, follow the requirements provided with the vent.

Vent Clearances

- The vent must maintain the required clearance to combustible materials to prevent a fire. Do not fill air spaces with insulation.

Minimum Clearance to Vent	1" (25mm)
---------------------------	-----------

Vent Firestop

- A firestop is required whenever the vent penetrates a wall, floor, or ceiling (passes through framing members). It may be provided by the vent manufacturer (1" clearance).

NOTE: A Wall thimble (part #58DVA-WT) is required when venting directly to the rear (no rise).

Altitude Considerations

- This heater has been tested at altitudes ranging from sea level to 6,000 feet (1800 M). In this testing we have found that the heater, with its standard orifice, burns correctly with just an air shutter adjustment.
- Failure to adjust the air shutter properly may lead to improper combustion which can create a safety hazard. Consult your dealer or installer if you suspect an improperly adjusted air shutter.

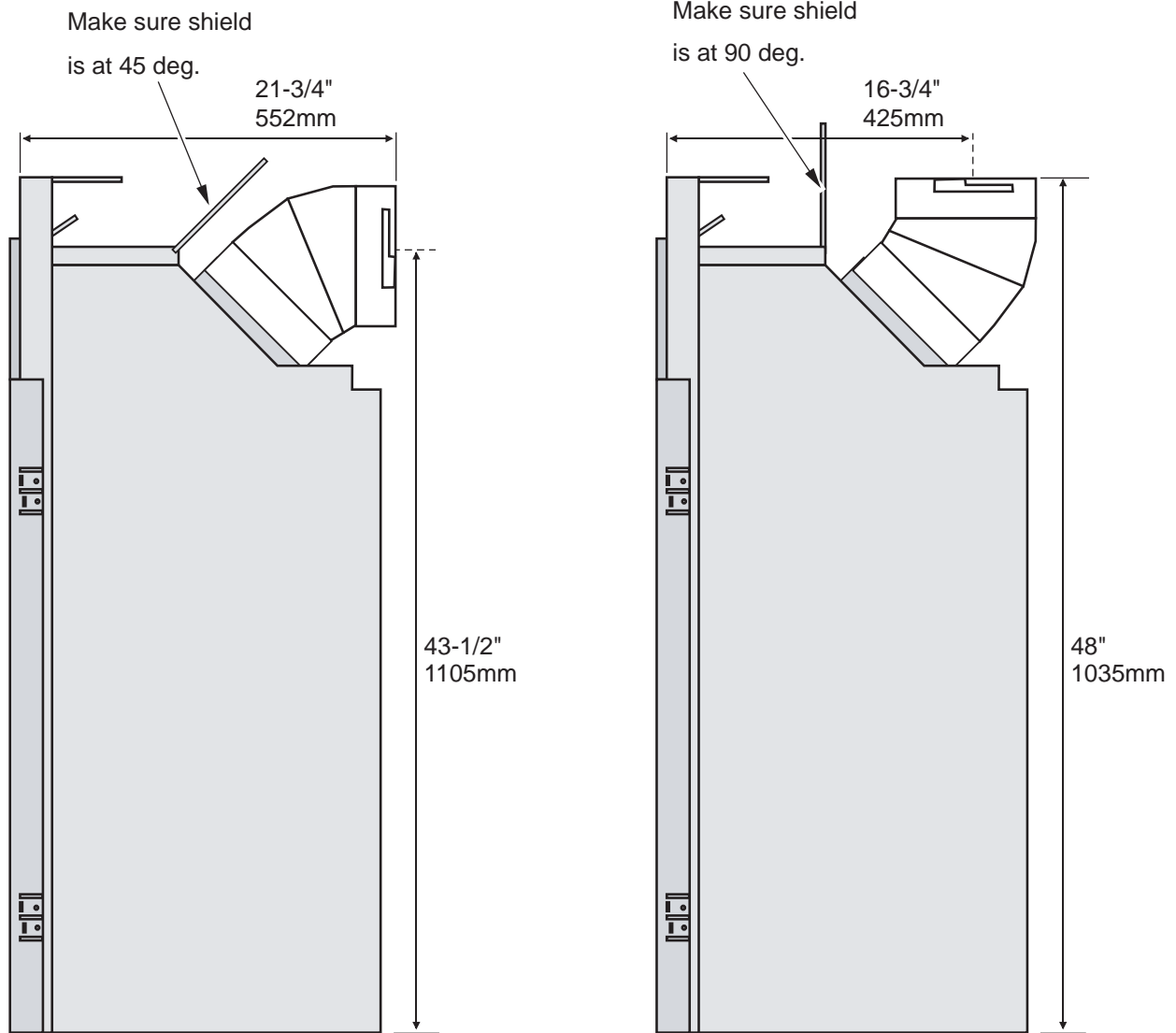
Approved Vent

- Use 8" (203mm) diameter Simpson Dura-Vent Model Direct-Vent Pro (or GS)*.
* Other vent may be approved with this fireplace. Check with the vent manufacturer for details.
- Always use the high-wind cap (58DVA-HC or 58DVA-VCH). The **high-wind scone cap is not allowed**.
- Installation instructions for Simpson Dura-Vent may be found at www.duravent.com

Vent Installation

- Slide the vent sections together and turn 1/4 turn until the sections lock in place.
- Screws are not required to secure the vent. However, three screws may be used to secure vent sections together if desired.
- High temperature sealant is recommended at the appliance starter section connection (use high-temperature silicone or Mill-Pac®).
- If disassembly is required, at time of re-assembly check to see if the vent creates a tight fit. If it does not, apply high temperature sealant to the joints of the affected sections.
- Horizontal sections require a 1/4" (6mm) rise every 12" (305mm) of travel.
- Horizontal sections require non-combustible support every three feet (e.g.: plumbing strap).

Vent Location and Vent Shield Position

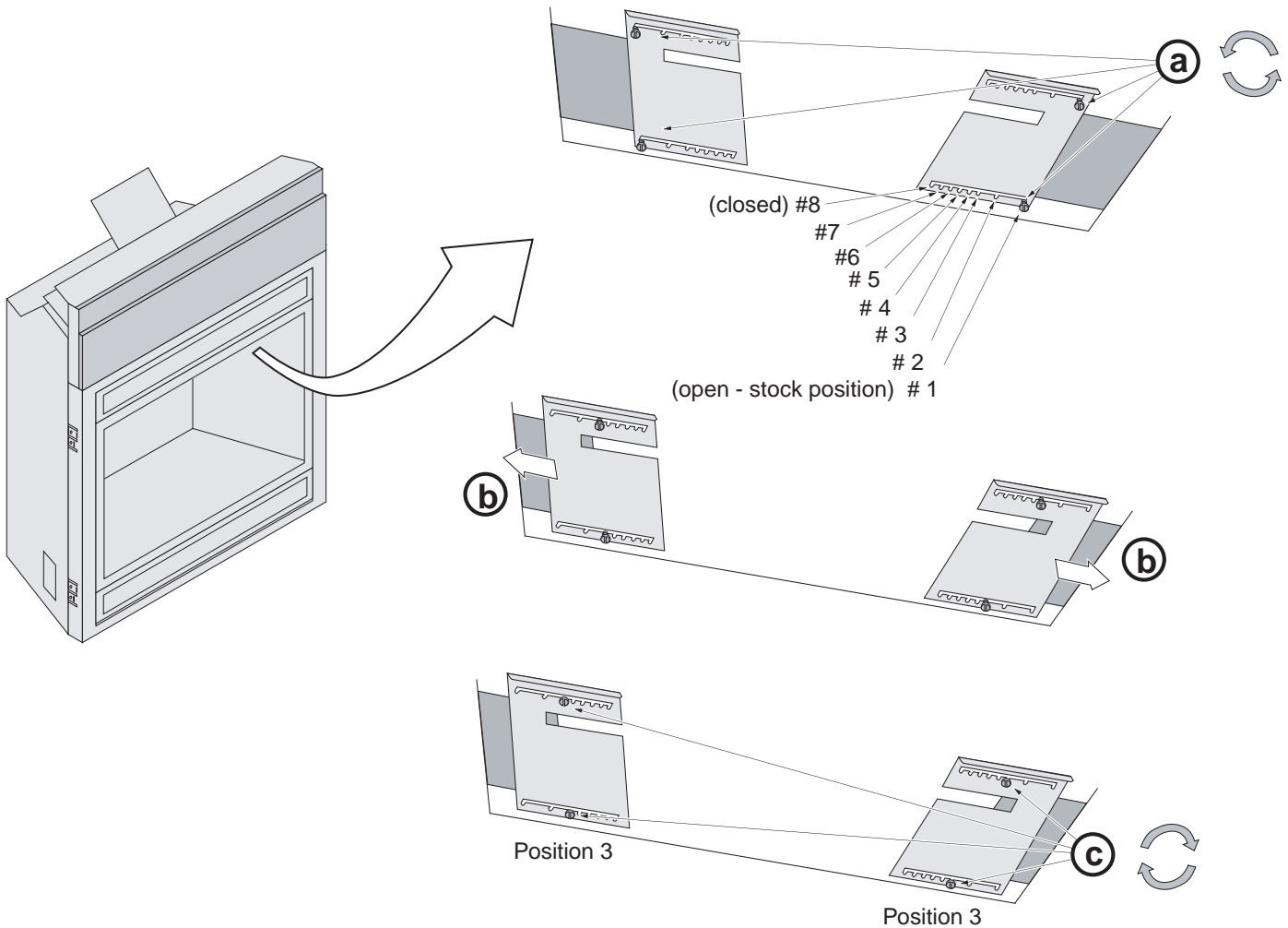


Approved Vent Configurations

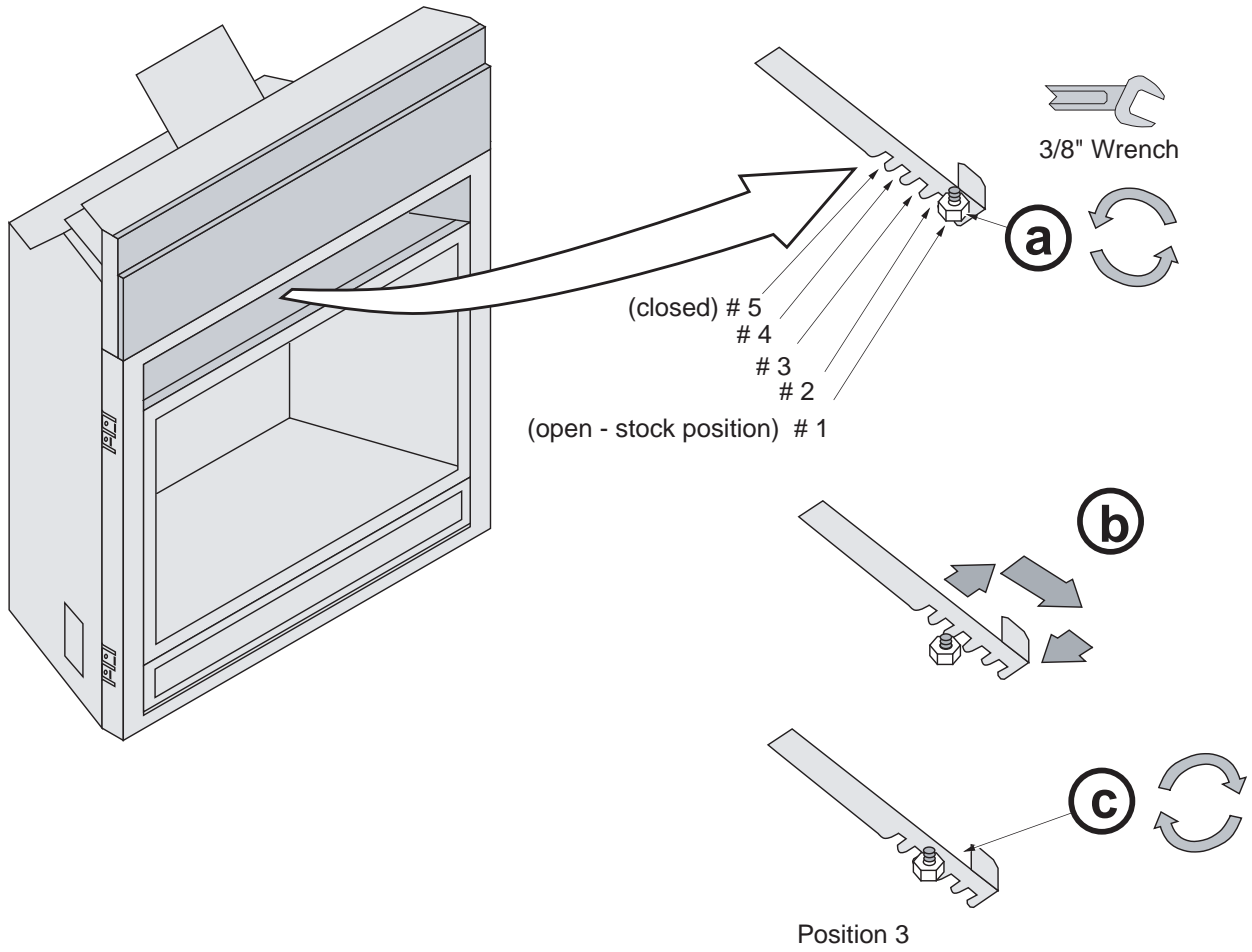
Restrictor Position

- Intake and exhaust restrictors are built into the appliance to adjust the flow rate of intake air and exhaust gases. Depending upon the vent configuration, you may be required to adjust the restrictor positions. The charts for acceptable vent configurations detail the correct vent restrictor positions.

Exhaust Restrictor

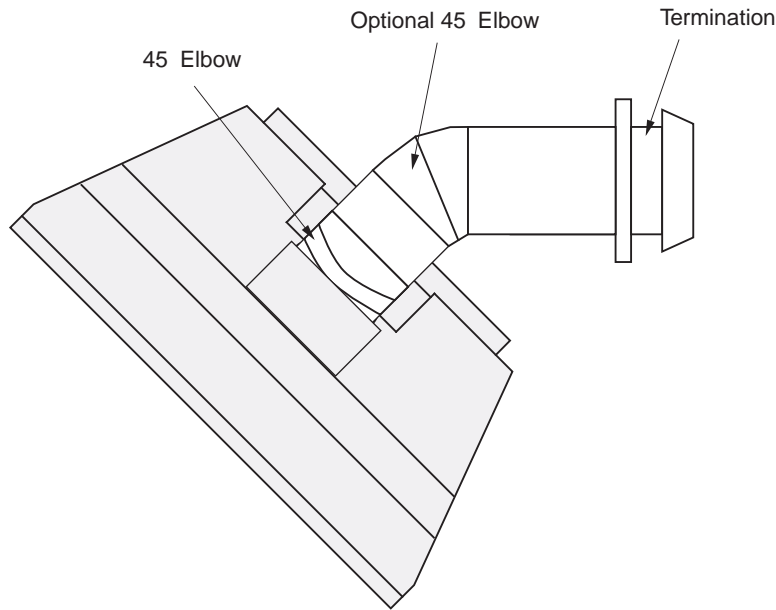


Intake Restrictor

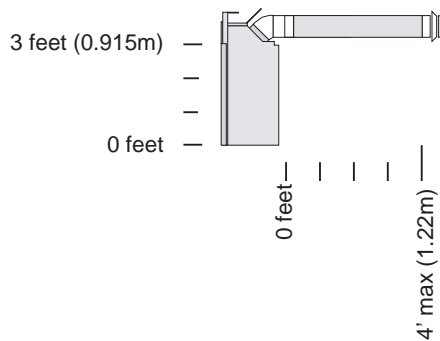


Vent Configuration: Horizontal Termination (no vertical rise)

- **NOTE:** A Wall thimble (part #58DVA-WT) is required.
- The termination must fall within the shaded area shown in the chart. Use the indicated restrictor positions.
- **NOTE:** When venting horizontally, use minimum vent kit "C" (96200316). If venting from a corner installation, an additional 45° elbow is required.



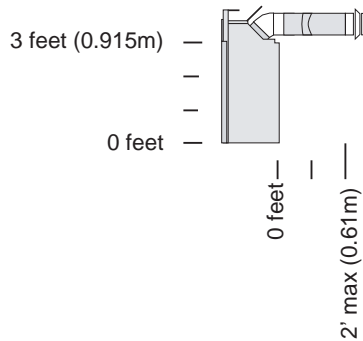
Vent with No 45° Elbow



Exhaust Restrictor # 1 (stock)
Intake Restrictor # 1 (stock)

Min. 6" (152mm) Horizontal Section
Max. 48" (1219mm) Horizontal Section(s)

Vent with 1 45° Elbow

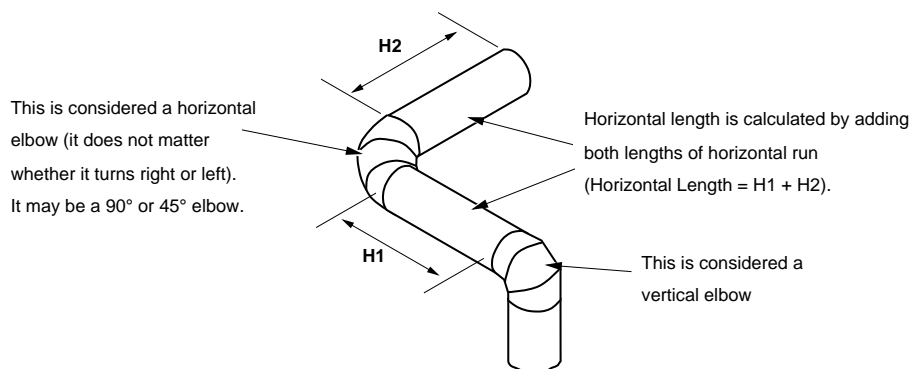
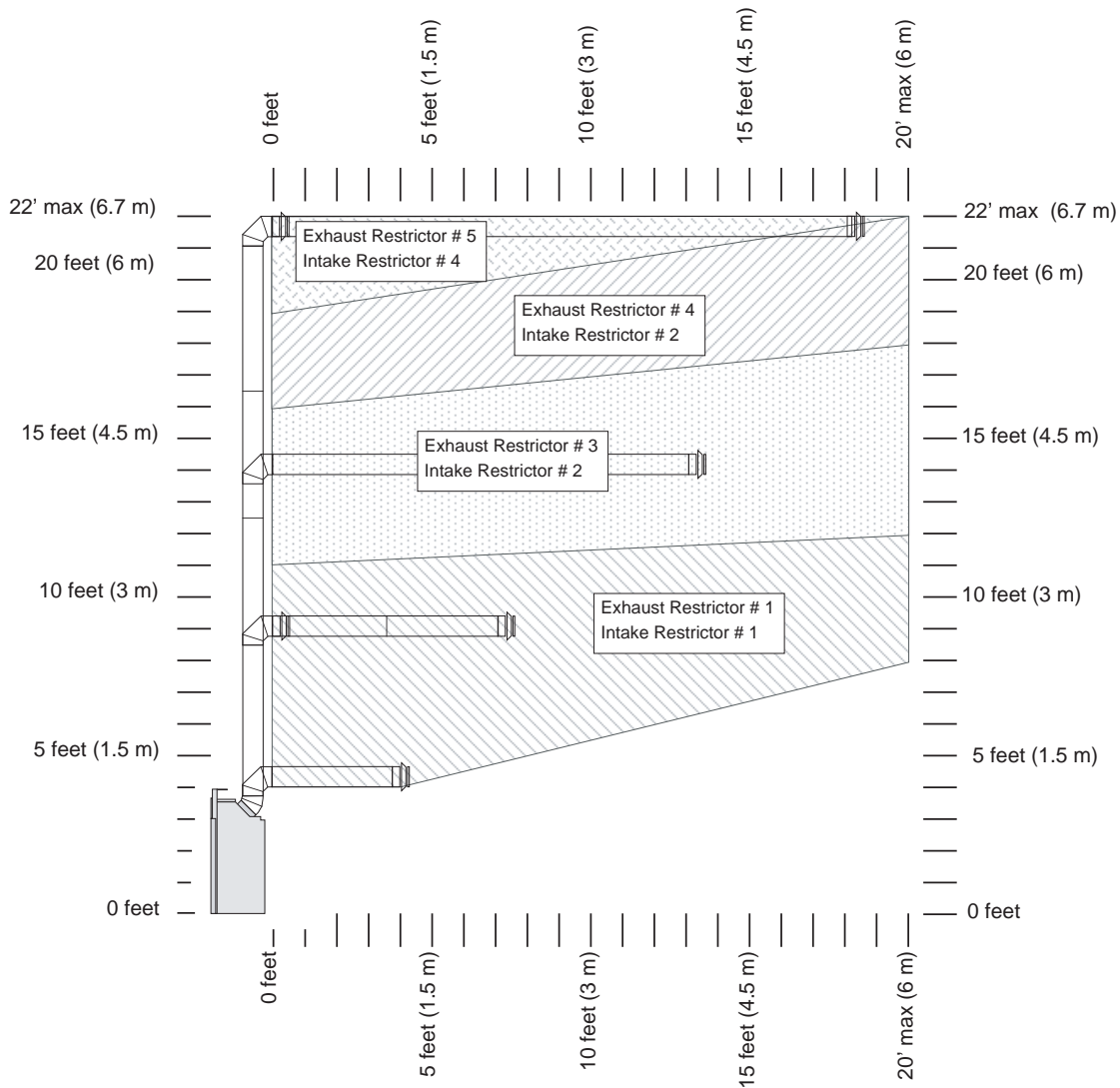


Exhaust Restrictor # 1 (stock)
Intake Restrictor # 1 (stock)

Min. 6" (152mm) Horizontal Section
Max. 24" (610mm) Horizontal Section(s)

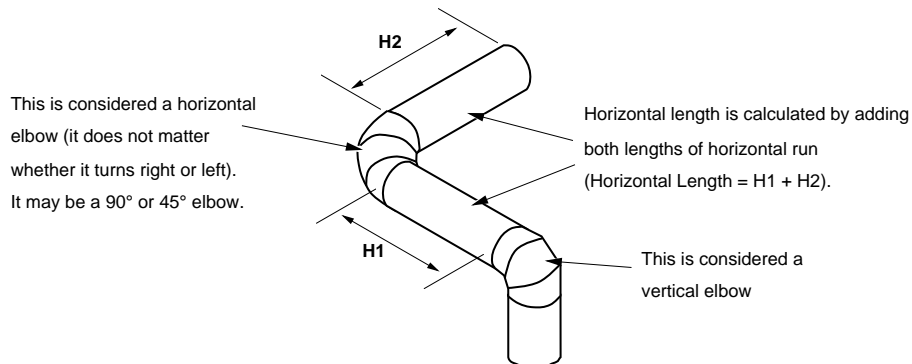
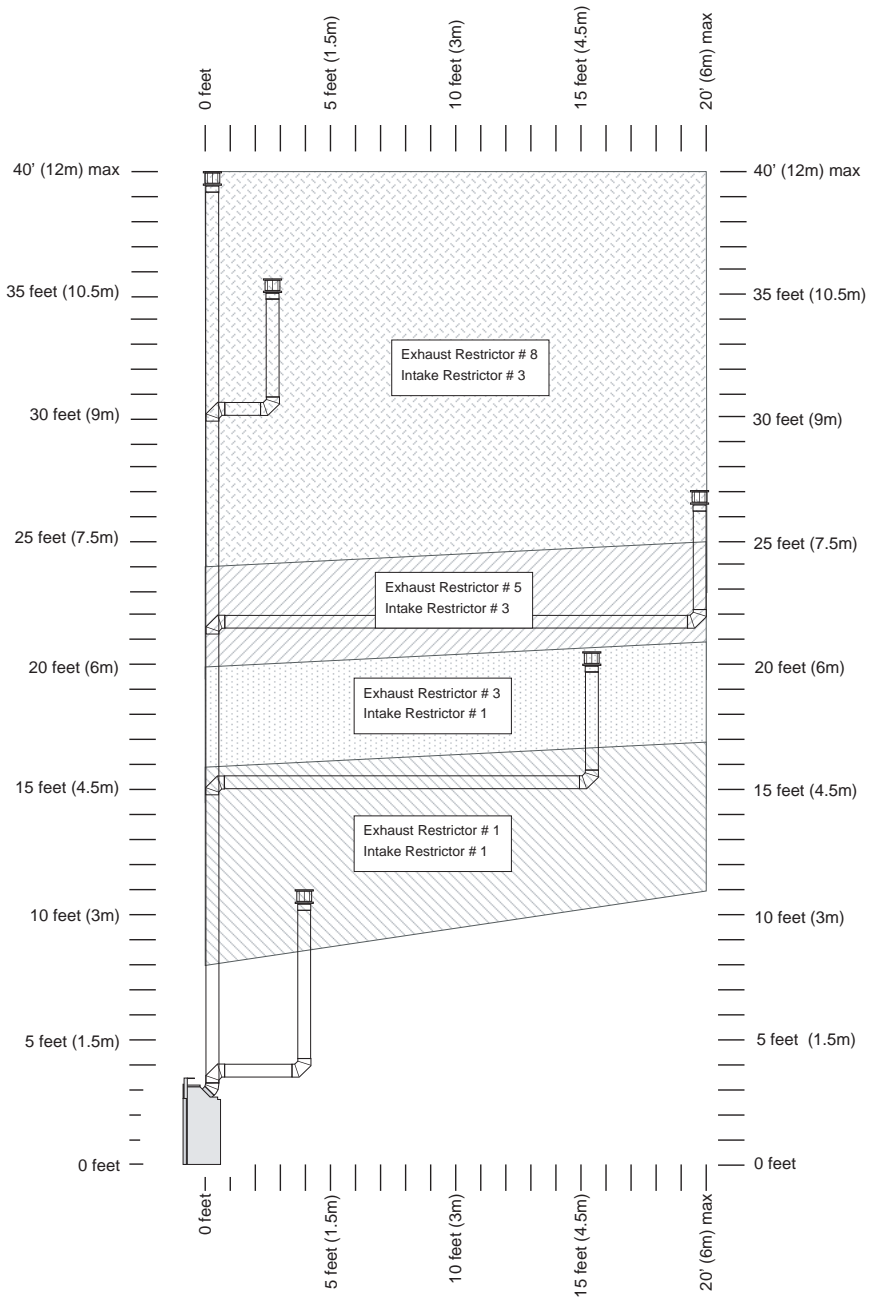
Vent Configuration: Horizontal Termination (with vertical rise)

- The termination must fall within the shaded area shown in the chart. Use the indicated restrictor positions.
- Up to five elbows (45° or 90°) may be used.
- Only one horizontal elbow may be used.



Vent Configuration: Vertical Termination

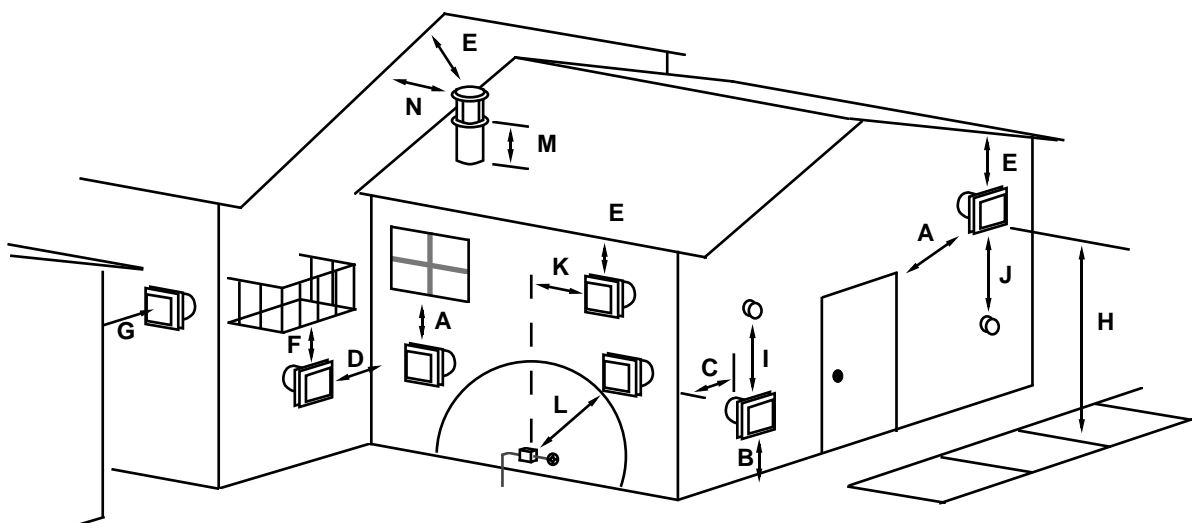
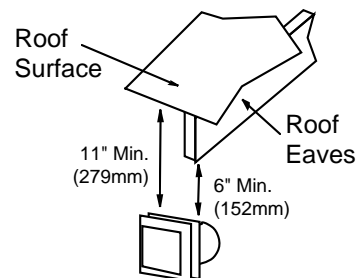
- The termination must fall within the shaded area shown in the chart. Use the indicated restrictor positions.
- Up to five elbows (45° or 90°) may be used.
- Only one horizontal elbow may be used.
- 6-5/8" (168mm) diameter Simpson Dura-Vent Model Direct-Vent Pro (or GS) vent may be used for this configuration. Attach a 8" diameter 45° elbow to the fireplace, connect a reducer to the elbow (part # 98900165), then connect 6-5/8" vent to the reducer. Use the vertical high wind cap (46DVA-VCH).



Termination Requirements

! Venting terminals shall not be recessed into a wall or siding.

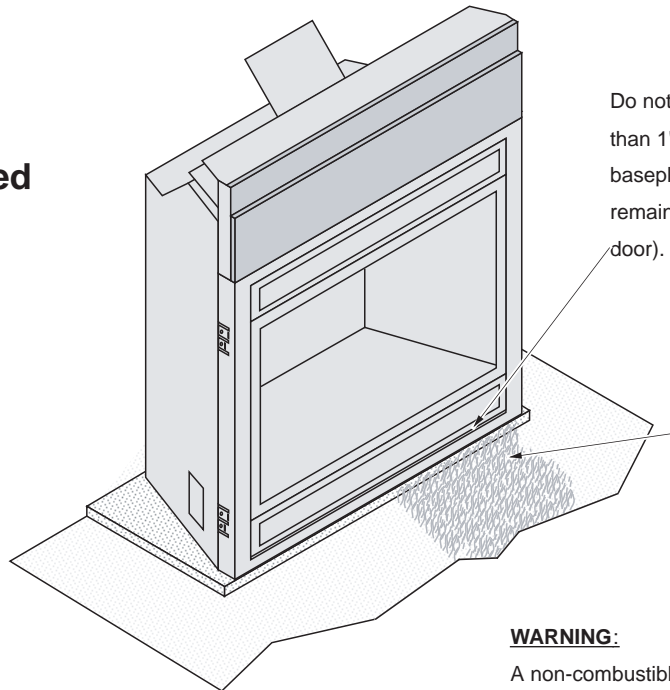
- A Minimum 9" (229mm) clearance from any door or window
- B Minimum 12" (305mm) above any grade, veranda, porch, deck or balcony
- C Minimum 1" (25mm) from outside corner walls
NOTE: Clearance in accordance with local installation codes and the requirements of the gas supplier.
- D Minimum 1" (25mm) from inside corner walls
NOTE: Clearance in accordance with local installation codes and the requirements of the gas supplier.
- E Minimum 11" (279mm) clearance below unventilated soffits or roof surfaces
Minimum 18" (457mm) clearance below ventilated soffits
Minimum 6" (152mm) clearance below roof eaves
NOTE: Vinyl surfaces require 24" (610mm)
NOTE: Clearance in accordance with local installation codes and the requirements of the gas supplier.
- F Minimum 12" (305mm) clearance below a veranda, porch, deck or balcony
NOTE: Permitted only if veranda, porch, deck, or balcony is fully open on a minimum of two sides beneath the floor.
NOTE: Clearance in accordance with local installation codes and the requirements of the gas supplier.
- G Minimum 48" (1219mm) clearance from any adjacent building
- H Minimum 84" (2134mm) clearance above any grade when adjacent to public walkways or driveways
NOTE: may not be used over a walkway or driveway shared by an adjacent building
- I Minimum 9" (229mm) clearance to any nonmechanical air supply inlet to the building or the combustion air inlet to any other appliance.
- J Minimum 36" (914mm) clearance above any mechanical air supply inlet if within 10' (3M) horizontally
- K Minimum 36" (914mm) from the area above the meter/regulator (vent outlet) - this extends 15' (4.5M) above the regulator
NOTE: Clearance in accordance with local installation codes and the requirements of the gas supplier.
- L Minimum 36" (914mm) from the meter/regulator (vent outlet)
NOTE: Clearance in accordance with local installation codes and the requirements of the gas supplier.
- M Minimum 12" (305mm) above the roof line (for vertical terminations)
- N Minimum 24" (610mm) horizontal clearance to any surface (such as an exterior wall) – for vertical terminations



NOTE: Measure clearances to the nearest edge of the exhaust hood.

Hearth Requirements

Floor Mounted Fireplaces



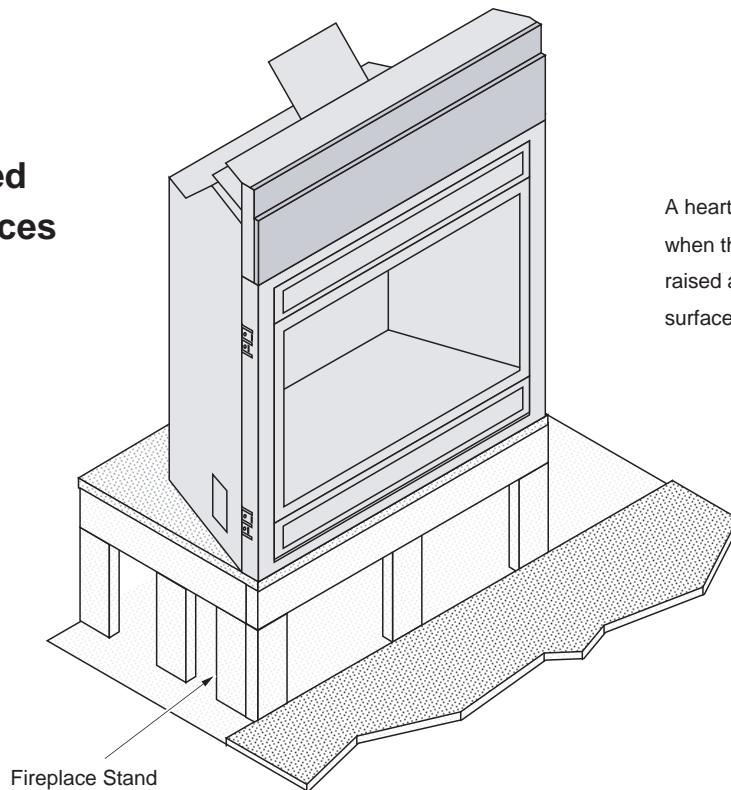
Do not build a hearth more than 1" (25mm) above the baseplate (this area must remain clear for the access door).

If installed near carpet or other combustible flooring, the fireplace must be raised so the base of the unit is above the carpet surface or flooring material.

WARNING:

A non-combustible hearth is not required. However, if the heater is installed next to the floor, we recommend a hearth to protect the flooring surface from discoloration or other negative impact from the heater.

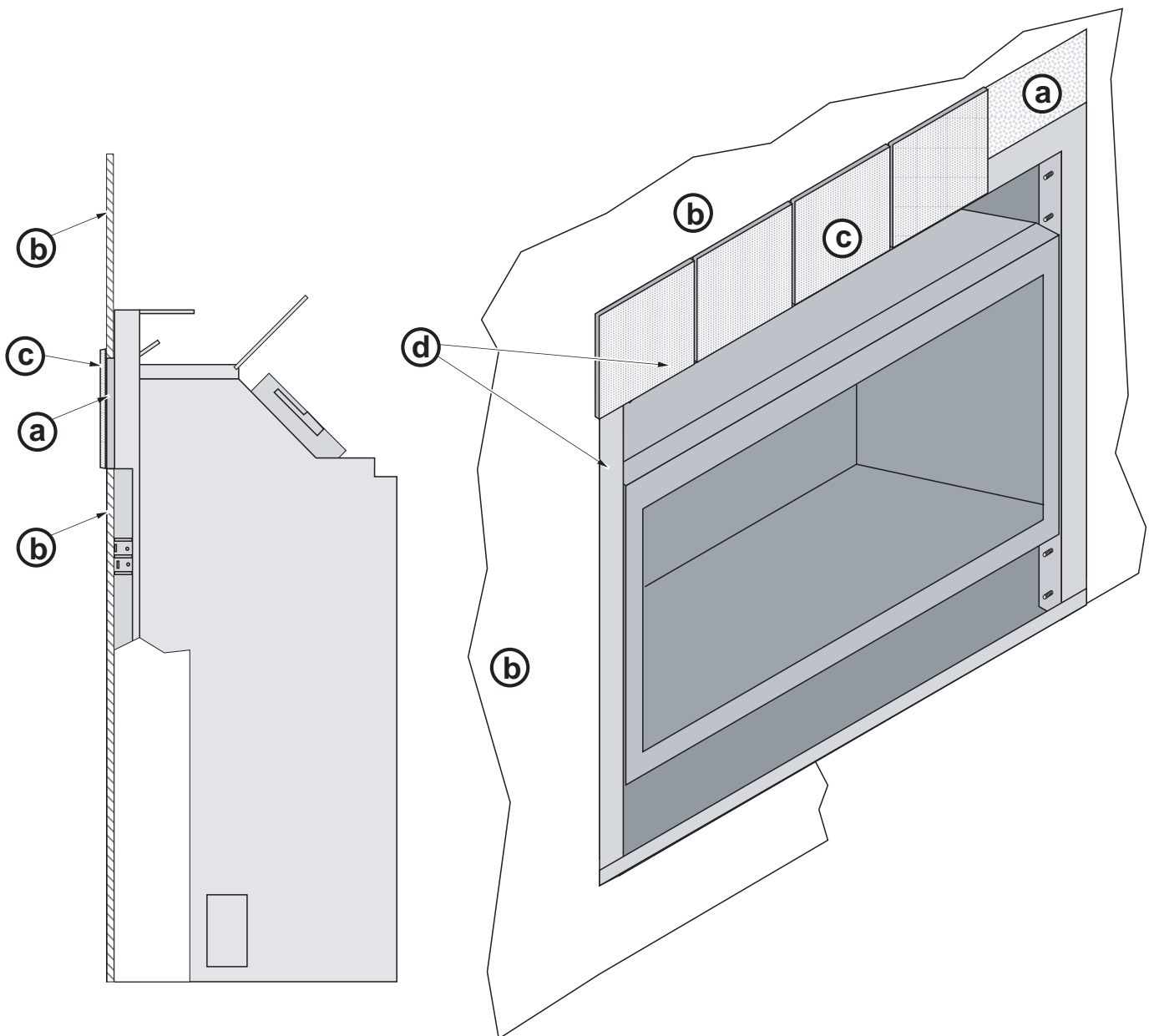
Raised Fireplaces



A hearth is not required when the fireplace is raised above the flooring surface.

Facing Requirements

- The included fiber board is required and must remain attached to the fireplace (see “a” below).
- Non-combustible facing must extend 7-3/4” (197mm) above the face of the fireplace (see “c” below). Drywall or other combustible may not be placed on top of this non-combustible area.
- Drywall (or other combustible) may be placed above the non-combustible facing (see “b” below) and to the sides and below the fireplace face. This combustible facing must be a minimum 7-3/4” (197mm) above the face of the fireplace (see “b” below).
- Tile or other non-combustible facing may be placed along the perimeter of the fireplace face, but must not extend over the glass/grill opening (see “d”). This area must remain open to allow for glass frame removal and air flow.



(a) Fiber Board (included with fireplace)

(b) Drywall (or other combustible)

(c) Tile (or other non-combustible)

(d) Perimeter of Fireplace (may be covered)

Facing and Faceplate Installation

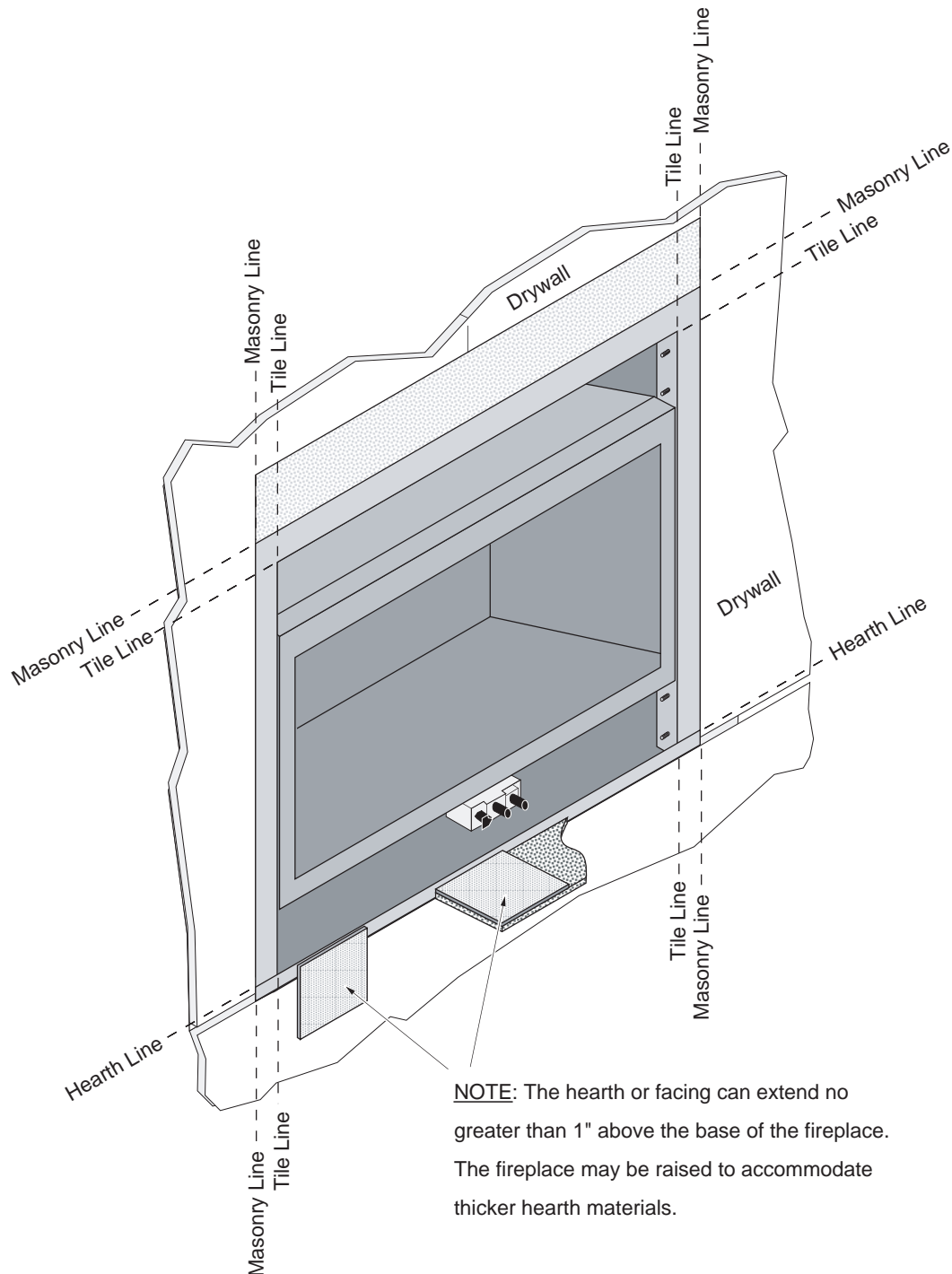


Upgrade faces are available for this fireplace and may influence facing installation. Consult with your Travis Dealer if you are using an upgrade face.

Tile Line Any non-combustible facing under 1" (25mm) thick (see "Thin Facing" on page 31).

Masonry Line Any non-combustible over 1" (25mm) thick (see "Thick Facing" on page 33).

Hearth Line Non-combustible hearth/facing should be installed up to this location (1" (25mm) above the base of the fireplace). The fireplace may be raised to accommodate thicker hearth materials.

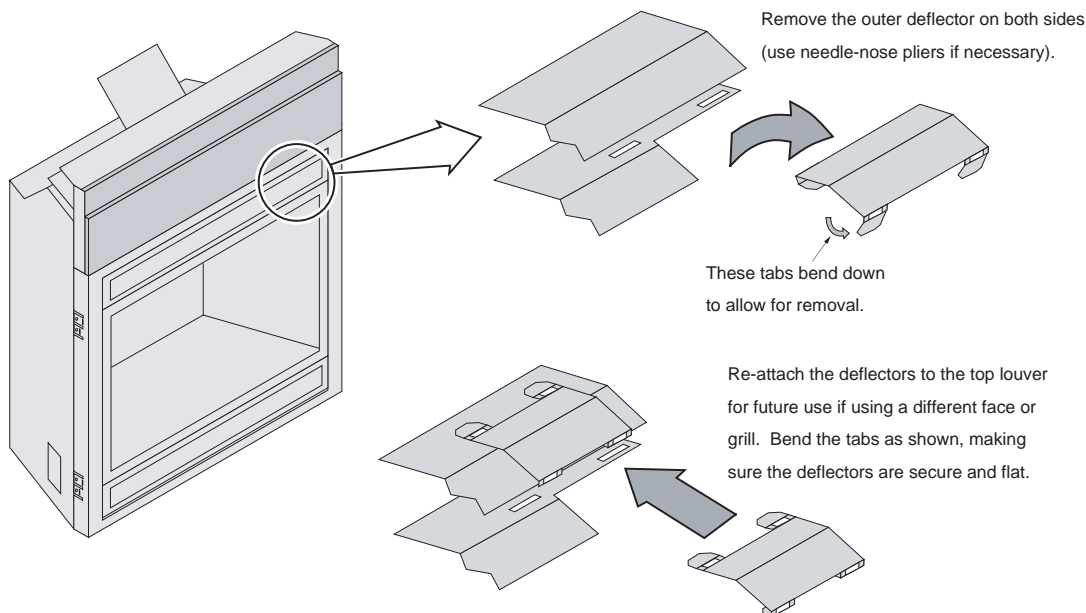


Optional Faceplates – Sizing Chart

Name	Height	Width	Notes
FPX Faces	35-3/4" (908mm)	41" (1041mm)	Arch Faces have a 45-3/4" (1162mm) Radius – May fit over top of tile facing
Avalon Faces	34-1/8" (867mm)	36-7/8" (937mm)	Optional facing will butt to edge of faceplate (tile line)
Lopi Faces	35-3/4" (908mm)	41" (1041mm)	May fit over top of tile facing
Bungalow & Tree of Life Faces	34" (864mm)	36-7/8" (937mm)	Optional facing will butt to edge of faceplate (tile line)
Rosario Face	38" (965mm)	42" (1067mm)	

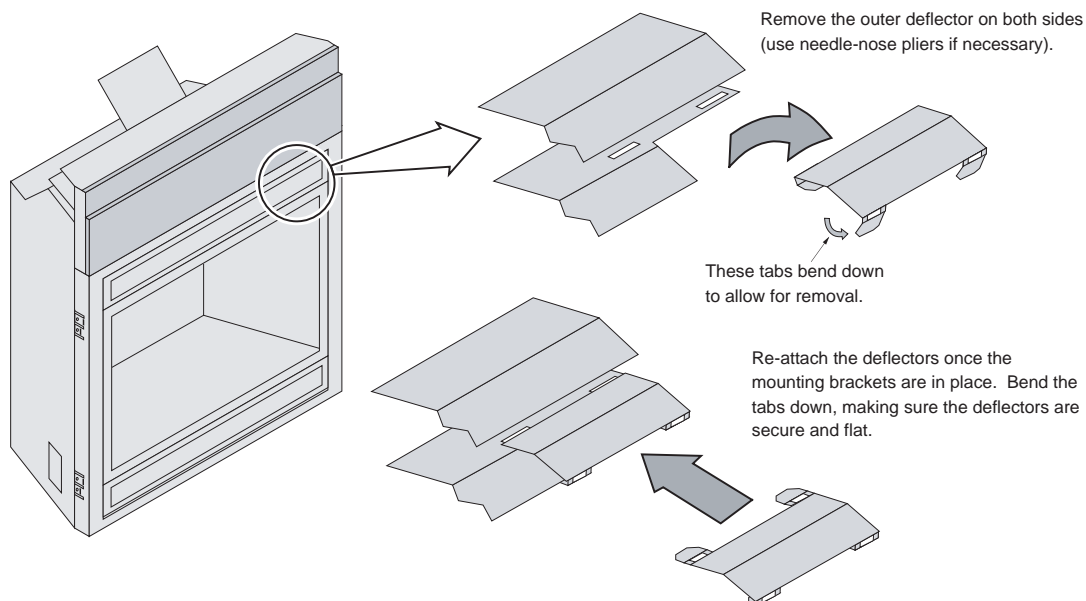
Special Instructions for Metropolitan and Victorian Lace Faces

The above faces require the outer grill deflectors to be removed. See the instructions below.



Special Instructions for Wilmington Faces

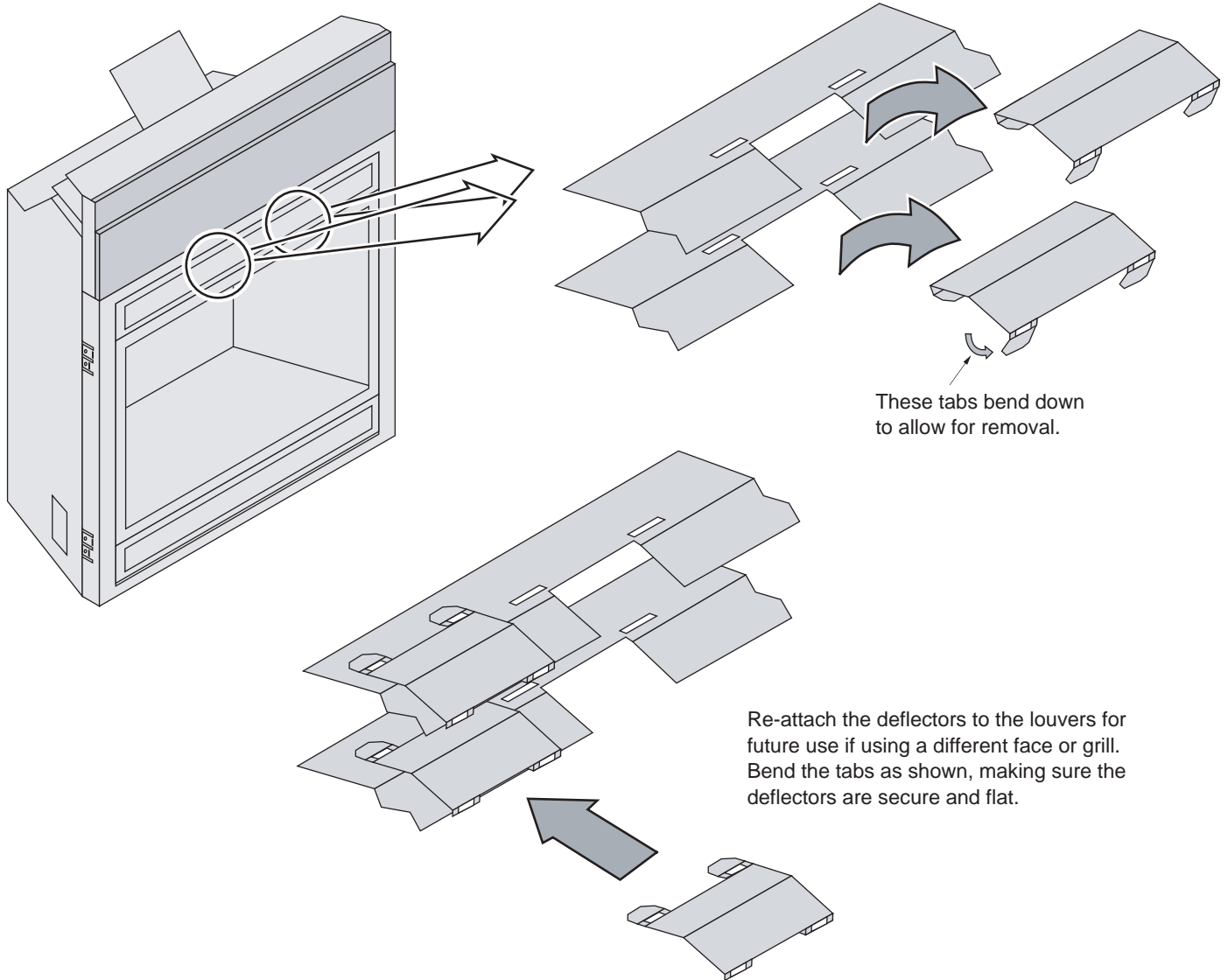
The above faces require the outer grill deflectors to be removed to allow for installation of the face mounting brackets. Once the brackets are installed, replace the deflectors. See the instructions below.



Special Instructions for Louvered Grills / Rosario Faces

The above grill/faces require the inner grill deflectors to be removed. See the instructions below.

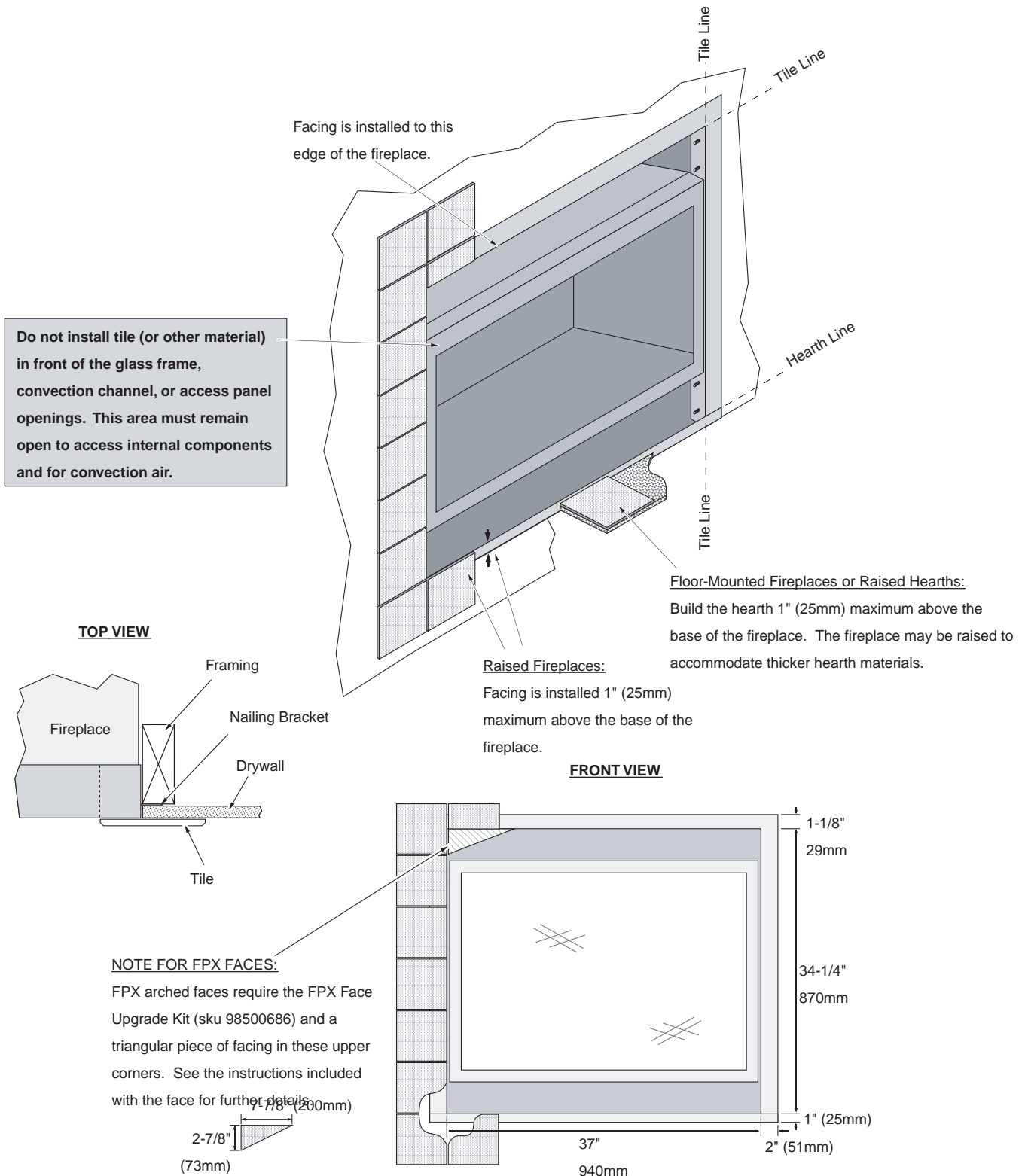
Remove the four inner deflectors (use needle-nose pliers if necessary).



Thin Facing Installation (tile, marble, or other non-combustible under 1" (25mm) thick)

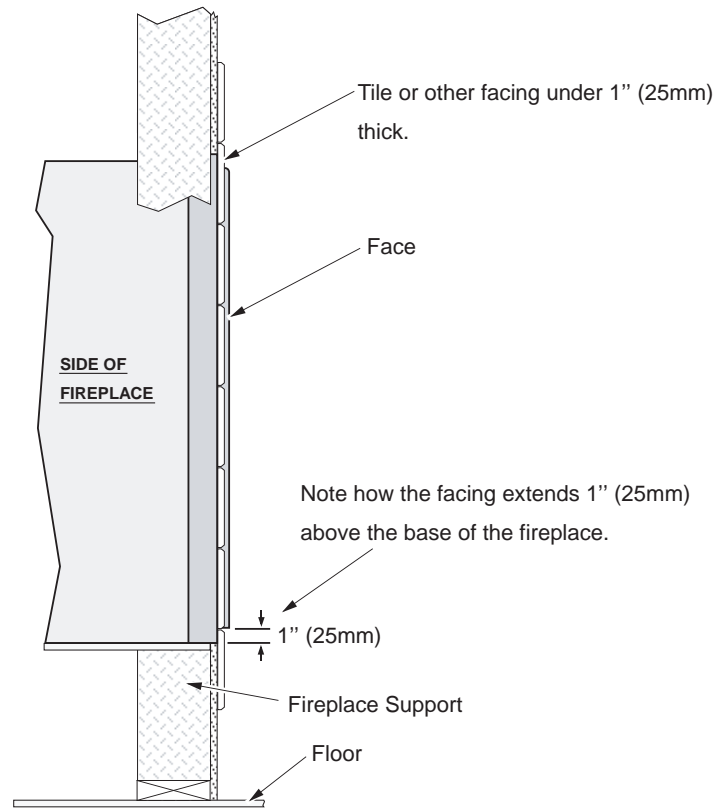


Upgrade faces are available for this fireplace and may influence facing installation. Consult with your Travis Dealer if you are using an upgrade face.

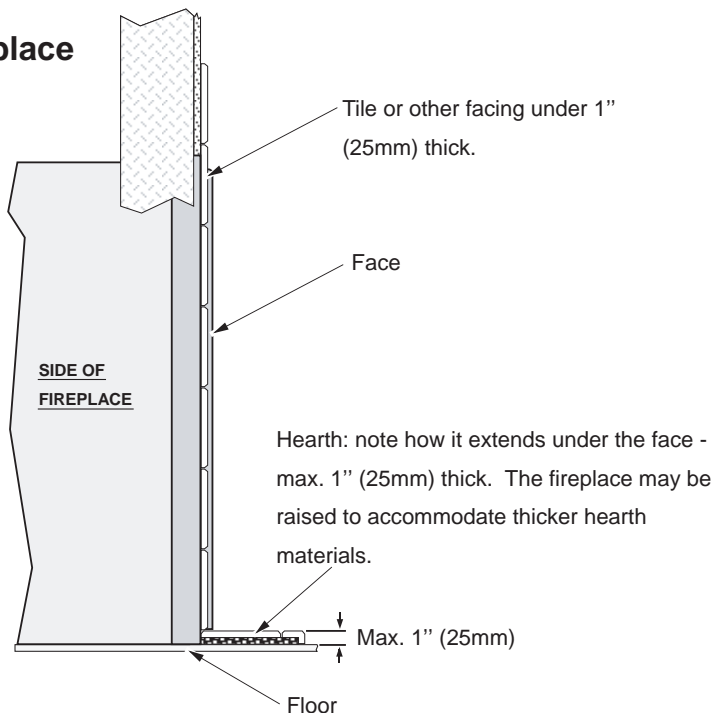


Thin Facing Installation (tile, marble, under 1" (25mm) thick) - Side View

**Raised Fireplace
(with no Hearth)**



**Floor-Mounted Fireplace
(with Hearth)**

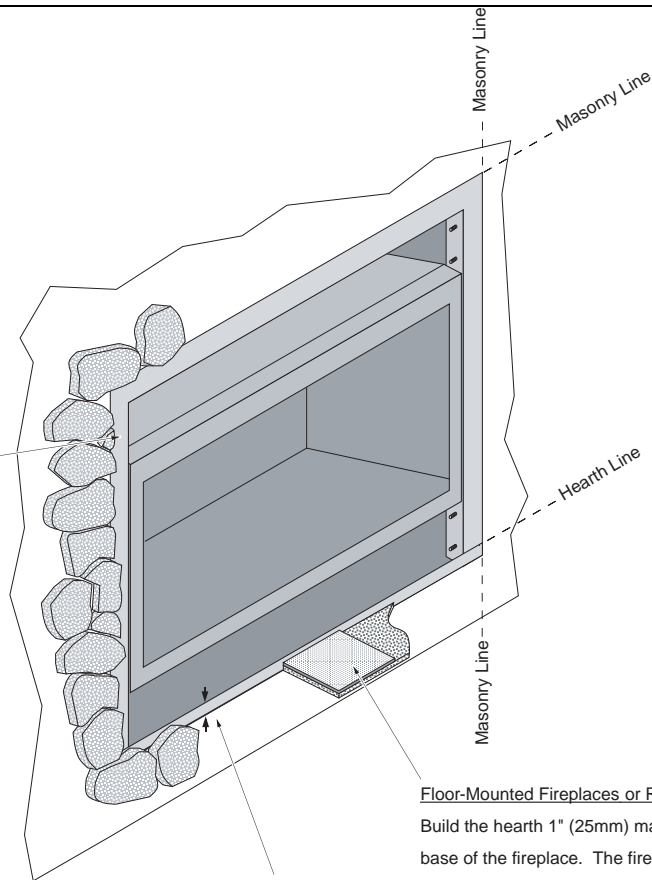


Thick Facing Installation (stone, brick, or other non-combustible over 1" (25mm) thick)

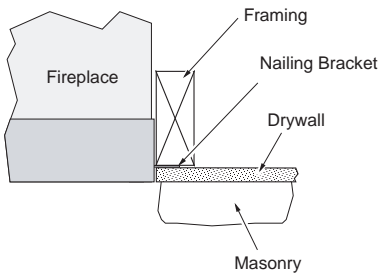


If using a Fireplace Xtordinaire (FPX) arched face, see "Thick Facing with a Fireplace Xtordinaire Arched Faces" on page 34.

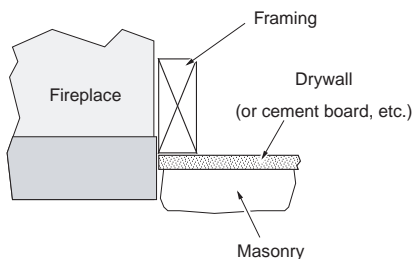
Do not install masonry (or other material) in front of the fireplace. This area must remain open to install the face.



TOP VIEW - Protruding Masonry



TOP VIEW - Recessed Masonry



NOTE: The nailing brackets are not used for this type of installation - secure the fireplace to the floor with the brackets along the base of the fireplace.

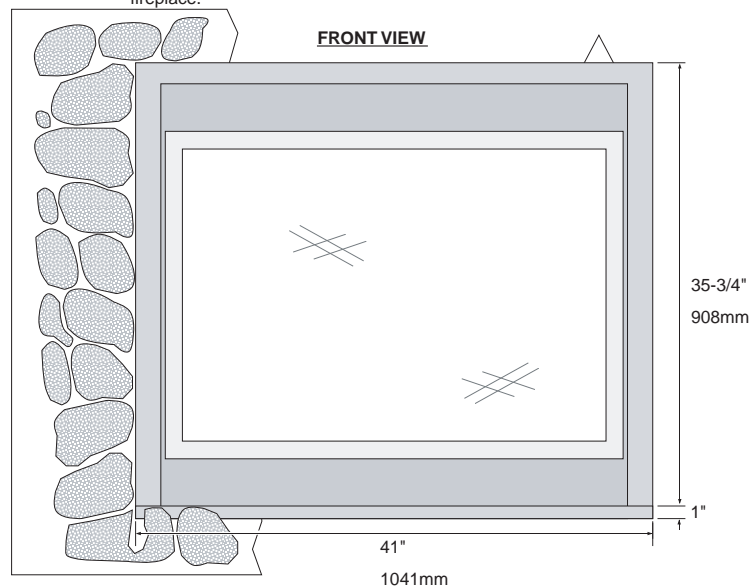
Floor-Mounted Fireplaces or Raised Hearths:

Build the hearth 1" (25mm) maximum above the base of the fireplace. The fireplace may be 1/2" to accommodate thicker hearth materials.

Raised Fireplaces:

Masonry is installed 1" (25mm) maximum above the base of the fireplace.

FRONT VIEW

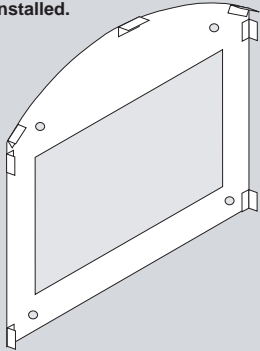


Thick Facing with Fireplace Xtrordinair (FPX) Arched Faces

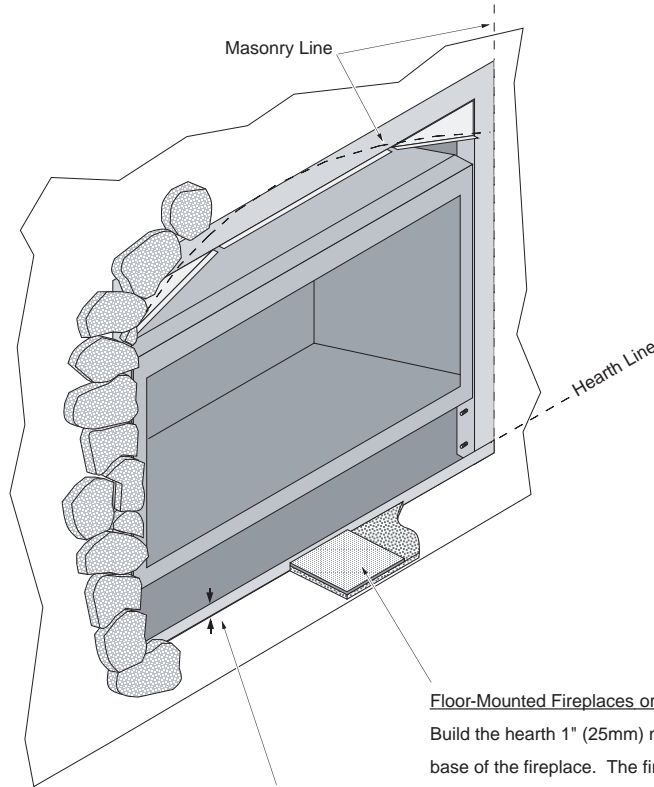
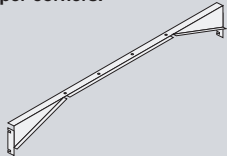


The following illustration shows facing considerations for those fireplaces utilizing FPX arched faces. The facing must be non-combustible and over 1" (25mm) in depth.

The Fireplace Xtrordinair 864 Masonry Template is recommended for masonry installation (sku 98500688). The template helps locate and support the masonry as it being installed.



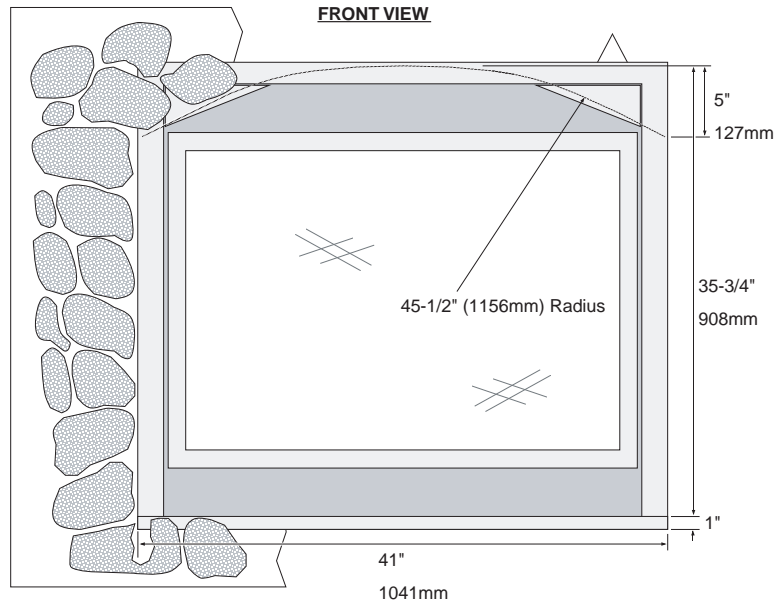
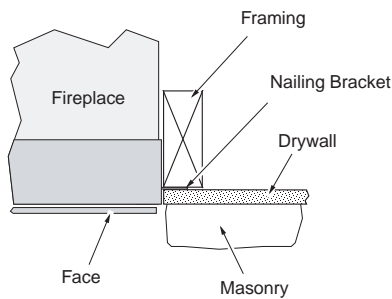
Before installing masonry, install the FPX Face Upgrade Kit (98500686). This covers the upper corners.



Floor-Mounted Fireplaces or Raised Hearths:
Build the hearth 1" (25mm) maximum above the base of the fireplace. The fireplace may be accommodate thicker hearth materials.

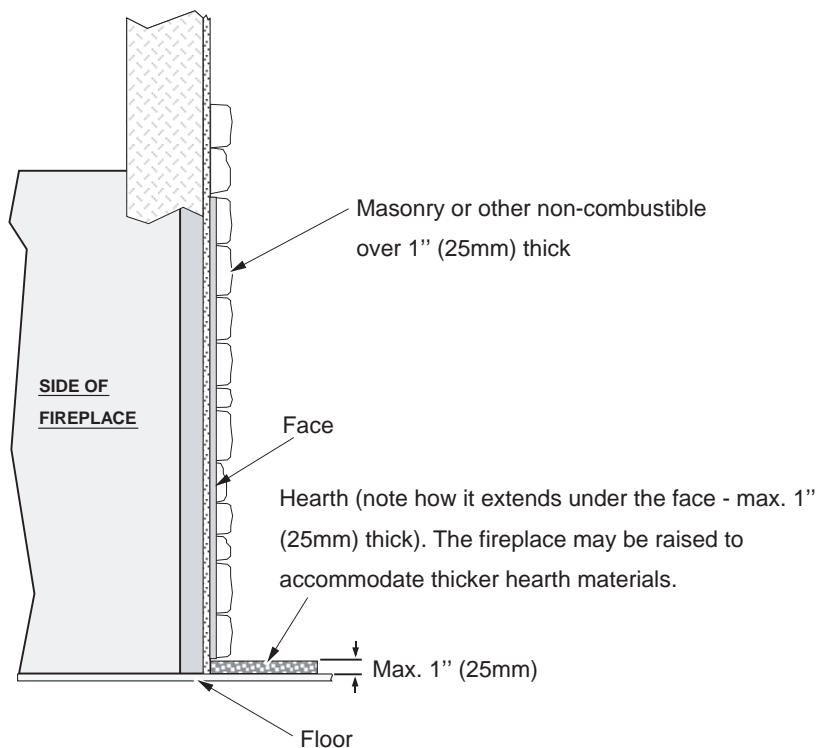
Raised Fireplaces:
Masonry is installed 1" (25mm) maximum above the base of the fireplace.

TOP VIEW

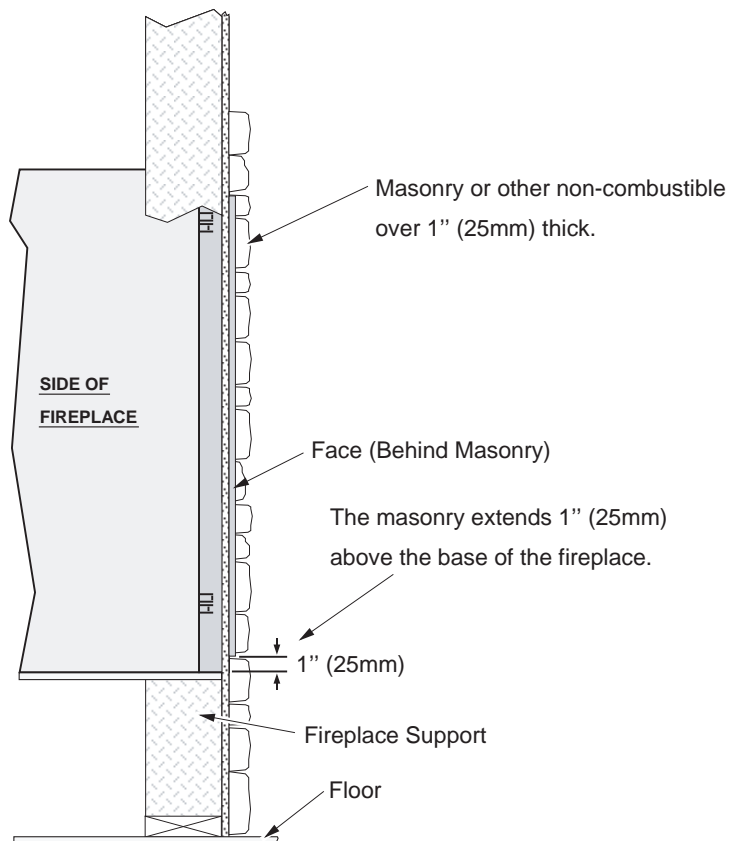


Thick Facing Installation - Side View

Floor-Mounted Fireplace (with Hearth)



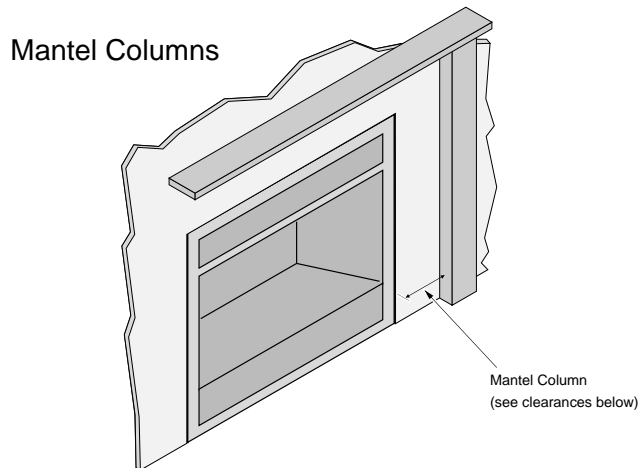
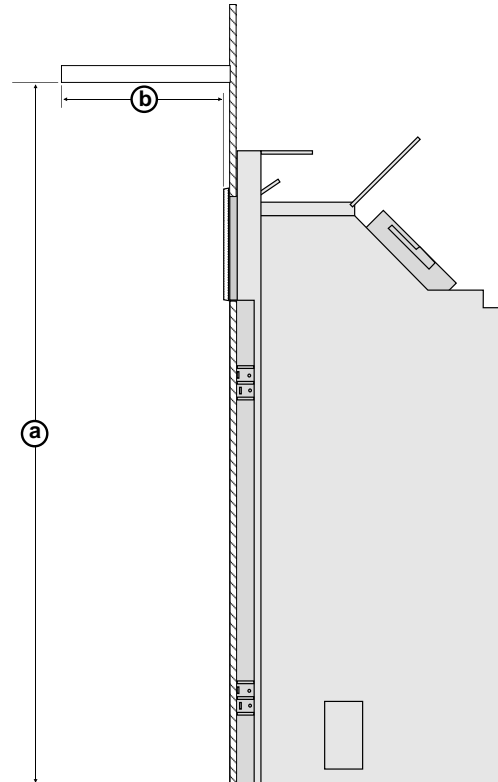
Raised Fireplace (with no Hearth)



Mantel Requirements

- Use the table below to determine the maximum mantel depth allowed. The mantel depth (measured from the non-combustible facing) must fall within the shaded portion of the table.
- Any material above the fireplace that protrudes more than 3/4" (19mm) from the non-combustible facing is considered a mantel and must meet the mantel requirements.

Mantel Height Above Base (a)	Maximum Mantel Depth (b)											
	0" (0mm)	1" (25mm)	2" (51mm)	3" (76mm)	4" (102mm)	5" (127mm)	6" (152mm)	7" (178mm)	8" (203mm)	9" (229mm)	10" (254mm)	11" (279mm)
53-3/4" (1365mm)												
52-3/4" (1340mm)												
51-3/4" (1314mm)												
50-3/4" (1289mm)												
49-3/4" (1264mm)												
48-3/4" (1238mm)												
47-3/4" (1213mm)												
46-3/4" (1187mm)												
45-3/4" (1213mm)												
44-3/4" (1213mm)												
43-3/4" (1213mm)												

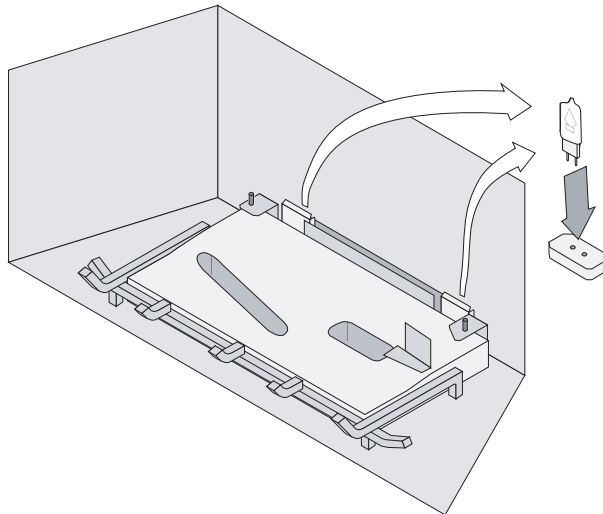


Mantel Column Clearances

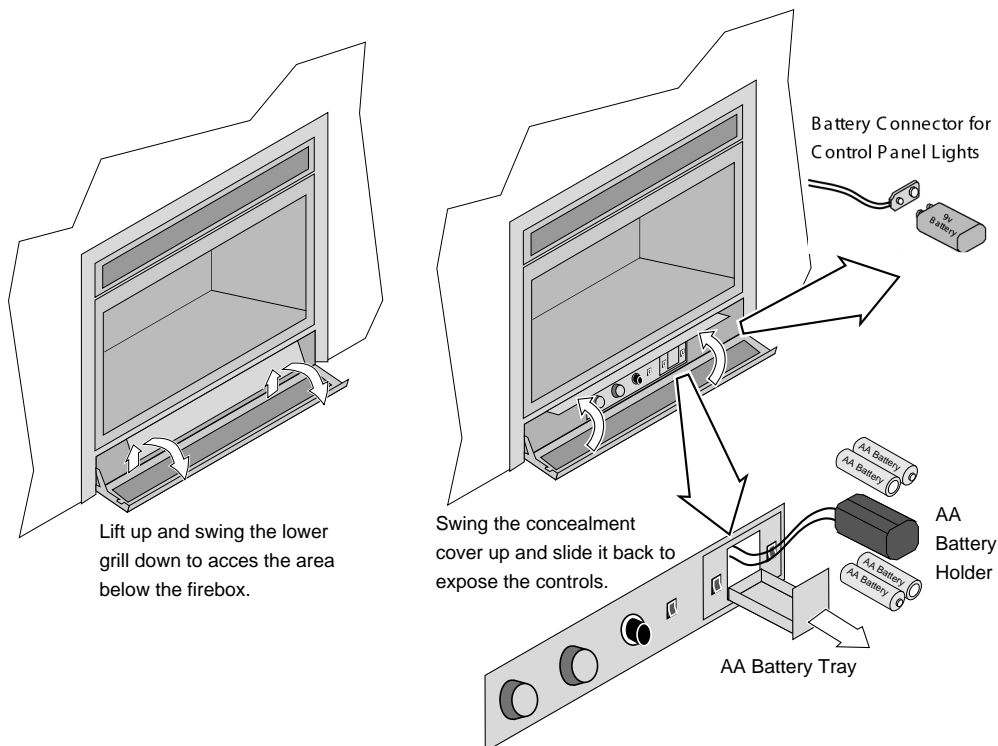
- Combustible mantel columns (legs) that protrude more than 3/4" (19mm) from the glass frame require a 5" (127mm) clearance to the glass frame.
- Combustible mantel columns (legs) that protrude 3/4" (19mm) or less from the glass frame must meet the facing clearances (minimum 2-1/4" (57mm) clearance to the side of the glass frame).
- Non-combustible mantel columns do not have a minimum clearance.

Steps for Finalizing the Installation

1. Remove the glass frame (see page 39).
NOTE: If using propane (LP) convert the appliance prior to installing the logs.
2. We recommend you purge the gas line at this time (with the glass frame removed). This allows gas to be detected once it enters the firebox, ensuring gas does not build up.
3. Make sure the two accent light bulbs are in place.
NOTE: Take care to not touch the bulb with your fingers (use a cloth or paper towel).



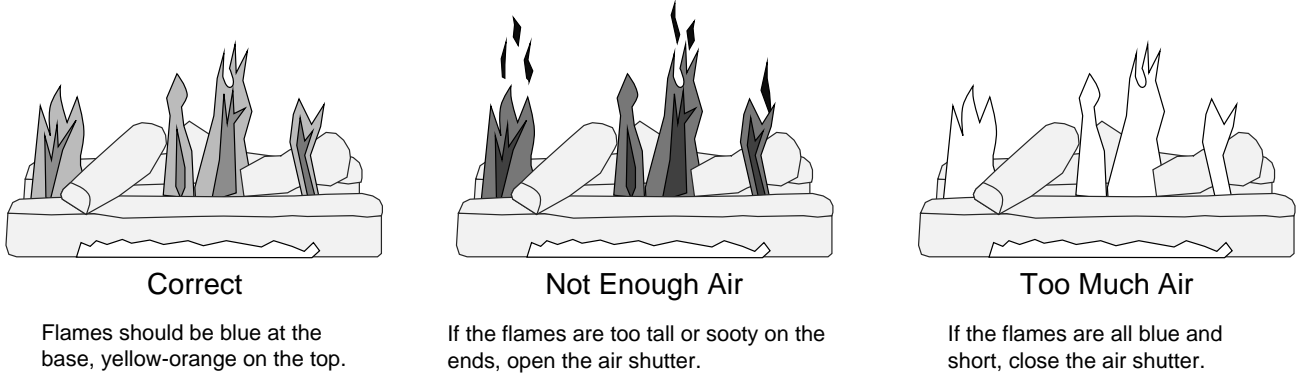
4. Install the required firebacks (see page 41).
5. Place the grate inside the firebox. Slide it back so it contacts the burner (see the illustration above).
6. Install the logs (see page 39)
7. Replace the glass frame.
8. Install the four AA batteries (included in the owner's pack) into battery holder (see the illustration below). The AA batteries act as a power backup in case the household (AC) power goes out. Install the 9v battery (included in the owner's pack) into control panel light assembly (see the illustration below).



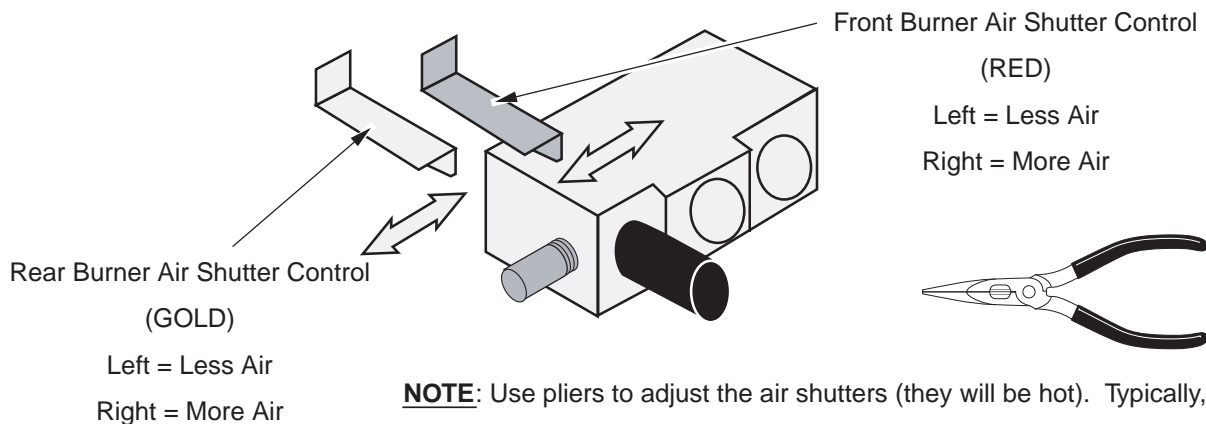
9. Start the heater.
10. Leak test all gas joints.
11. Check the air shutter following the directions below.

Air Shutter Adjustment

Let the heater burn for fifteen minutes (make sure the logs and glass are in place). The flames should be yellow with no sooting. Adjust the air shutter, if necessary, to achieve the correct looking flame.



Air Shutter Adjustment



12. Turn the flame adjust knob to its highest position - the flames should not contact the top of the firebox. Check the flame on low position. The flames should burn off of each burner hole. If the heater does not work correctly, contact your Travis dealer for a remedy.
13. Give this manual to the home owner for future reference and fully explain operation of this heater. For comprehensive operating and maintenance instructions, refer to the Owner's Manual (part # 100-01253).

ACID WASH WARNING: Before installing the faceplate, make sure any masonry that has been treated with acid wash has been properly neutralized (this is used primarily with brick faces). Acid wash (muriatic acid) is used to remove excess mortar. If not properly neutralized with an ammonia solution, the plated face may develop a permanent tarnish when the acid evaporates over time. Contact your dealer if uncertain your facing has been properly neutralized.

Glass Frame Removal and Installation

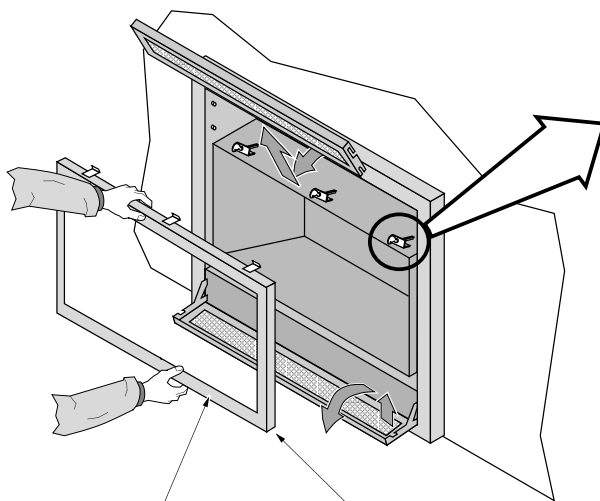
Warning: The appliance must be completely cool before removing the glass frame.

Warning: Do not strike or slam the glass frame.

Warning: Do not operate appliance with the glass front removed, cracked or broken. Replacement of the glass should be done by a licensed or qualified service person.

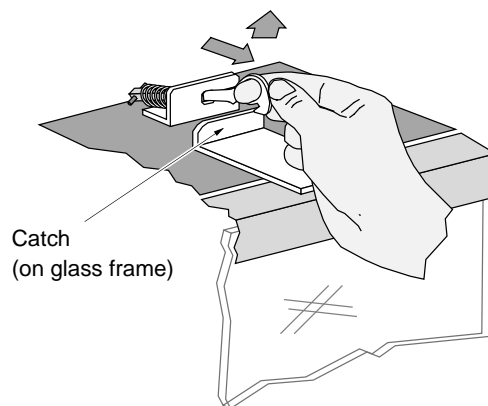
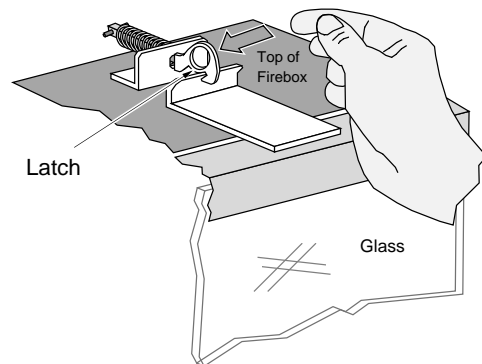
- a** Based upon the face being used, either:
- (a) swing the access door down and remove the top grill,
 - (b) remove the face (unscrew or lift off - see the instructions included with the face for details).

Open the six latches holding the glass frame in place (start with the bottom three) - follow the directions shown to the right.



- b** Lift the glass frame up and pull it forward to remove.

NOTE:
You may need to lift the glass frame while re-attaching.



Re-Attaching the Glass Frame:

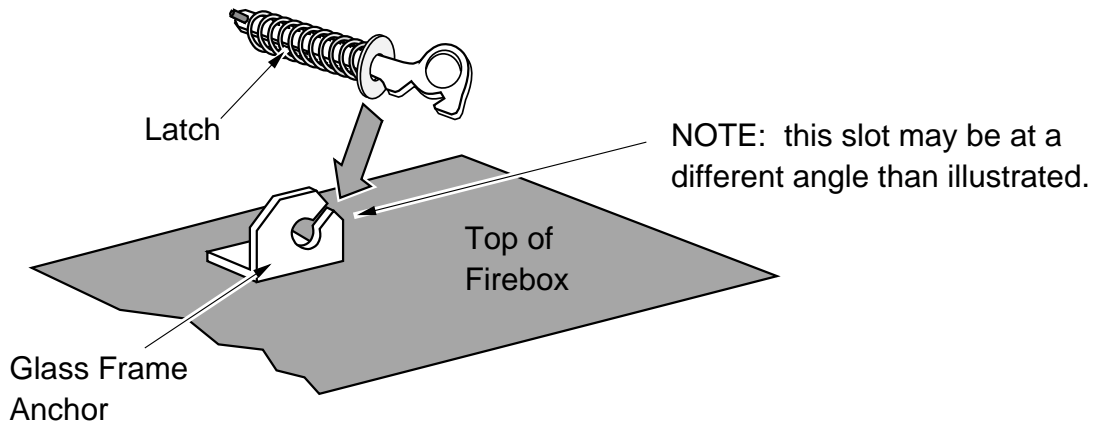
- a) Hang the glass frame on the firebox.
- b) While holding in place, attach the upper latches (follow the instructions above in reverse).
- c) Lift the glass frame slightly and attach the lower latches.

NOTE: Make sure the glass frame is all the way in place - it should be flush with the front of the fireplace when installed.

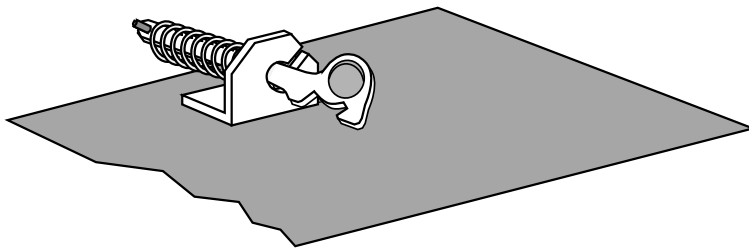
Glass Frame Removal and Installation (continued)

The latch can come loose from glass frame anchor. This occurs when it is turned 1/4 turn when it is disengaged. Follow the directions below to re-install the latch if it becomes loose.

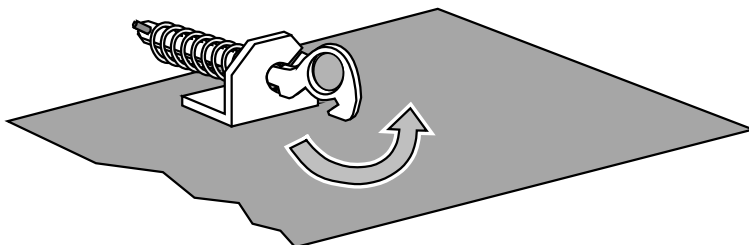
Hold the latch at an angle and insert it into the slot on the glass frame anchor.



Note how the washer on the latch fits behind the flange on the glass frame anchor.



Once fully inserted, turn the latch until it is upright.



Fireback Installation

WARNING:

Turn off gas to the appliance and make sure it has fully cooled prior to conducting service.

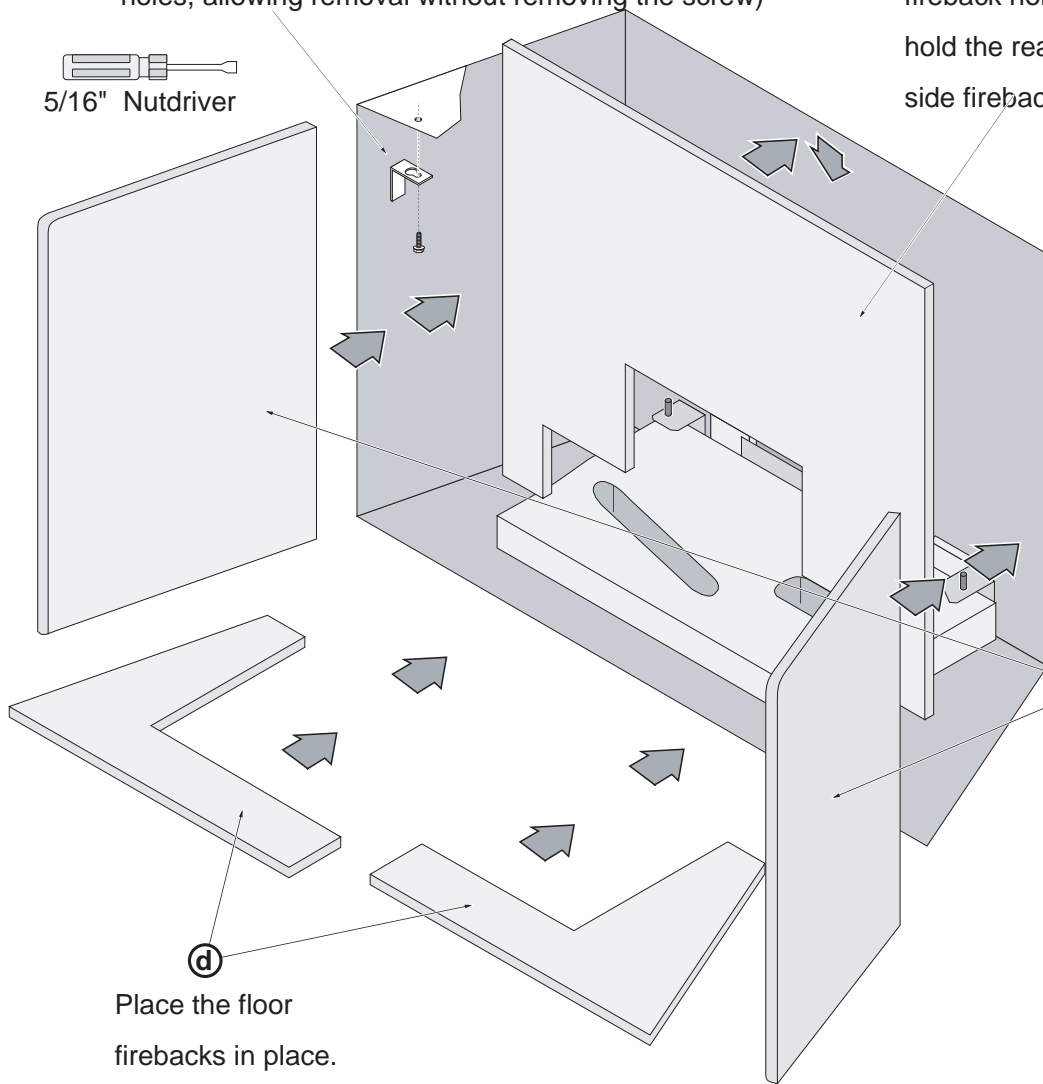
1. Remove the grate.
2. Install the firebacks following the directions below.

(a) Remove the clips on both sides (these clips have key-holes, allowing removal without removing the screw)



5/16" Nutdriver

(b) Place the rear fireback in place. The side fireback holds the rear fireback in place - hold the rear fireback while installing the side fireback.



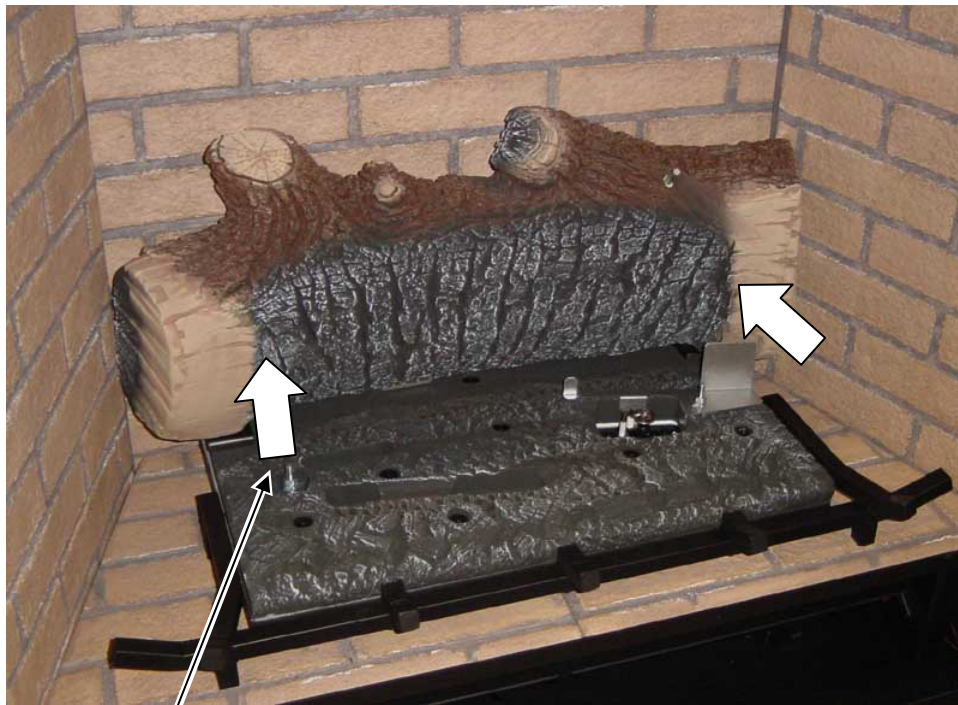
(c) Place the side firebacks in place. Secure using the screws and clips removed in step "a".

(d) Place the floor firebacks in place.

Log Set Installation**Back Log**

Install the back log as shown below.

Make sure the bottom of the log lays flat against the two steel platforms on the burner (see arrows below).

**REAR LOG NOTE:**

Make sure the log is pushed all the way to the back. On NG units, the log will contact the back air shield (see page 48). On LP units, the log must locate within $\frac{1}{2}$ " (13mm) to 1" (26mm) of the back wall of the firebox.

Positioning the log incorrectly may lead to sooting and insufficient flame quality.

Right Log

Install the right log as shown below. Position the log so the back edge contacts the metal plate on the burner and does not cover any burner holes.



Center Log

Install the center log as shown below.



Left Log

Install the left log as shown below.



Left Twig

Install the left twig as shown below.



Right Twig

Install the right twig as shown below.

**Right Branch**

Install the right branch as shown below.



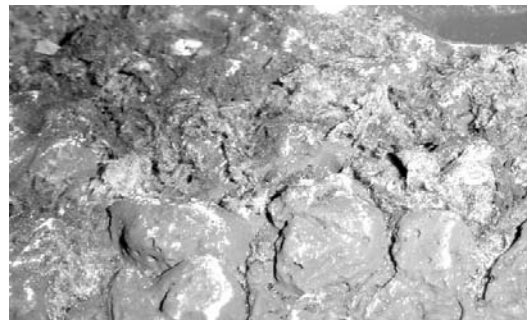
Ember Installation

Install the embers as shown below. Make sure to cover the screws on the burner and any fireback seams with embers to create an aesthetic firebox.



Rock Wool Installation

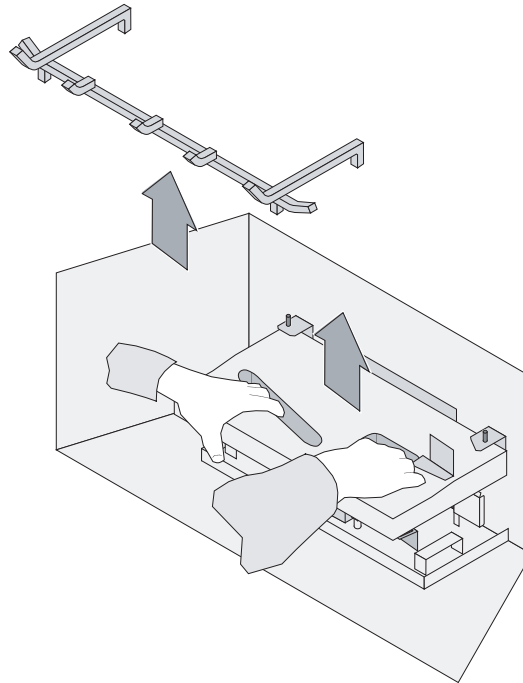
The included rock wool is placed on top of the burner to enhance the glow from the burner. **The rock wool works best when it is applied in a very thin, porous layer.** The best method for applying the rock wool is to brush it on to the burner. Compress a clump of rockwool between your thumb and forefinger. Use a stiff brush to apply a thin layer of rockwool fibers onto the burner. Do not use the entire bag of rockwool. Use only a small amount and save the remainder. Over-use of rockwool will diminish the glow and may cause sooting or other adverse conditions.



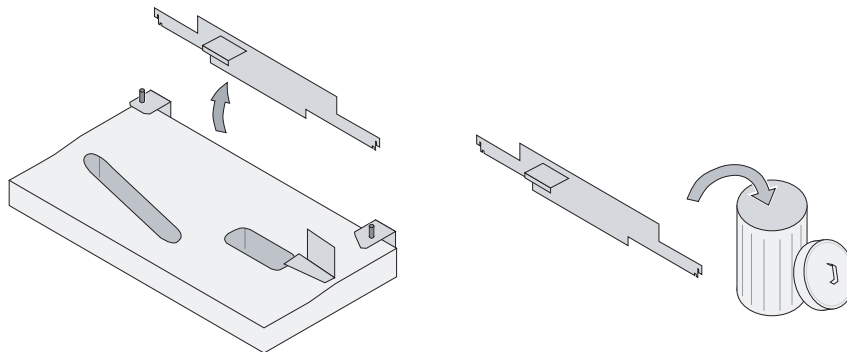
LP Conversion Instructions

Convert the appliance prior to installing the gas line to ensure proper gas use.

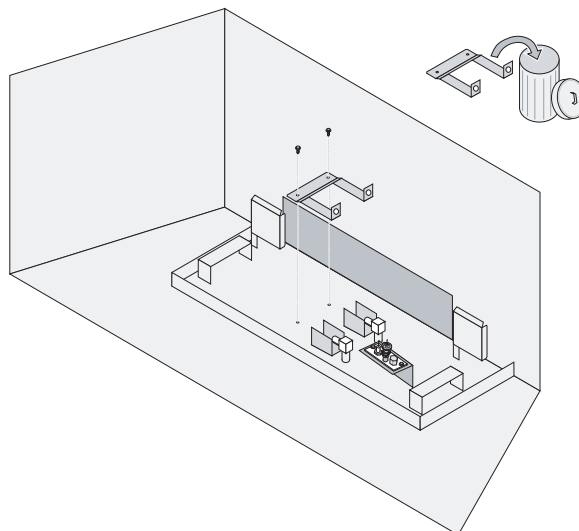
- 1 Remove the glass (see page 36). Remove the logs and embers (if installed - page 42)
- 2 Remove the grate and burner (see illustration to the right). Grasp the burner with both hands and lift it straight up and out of the firebox.



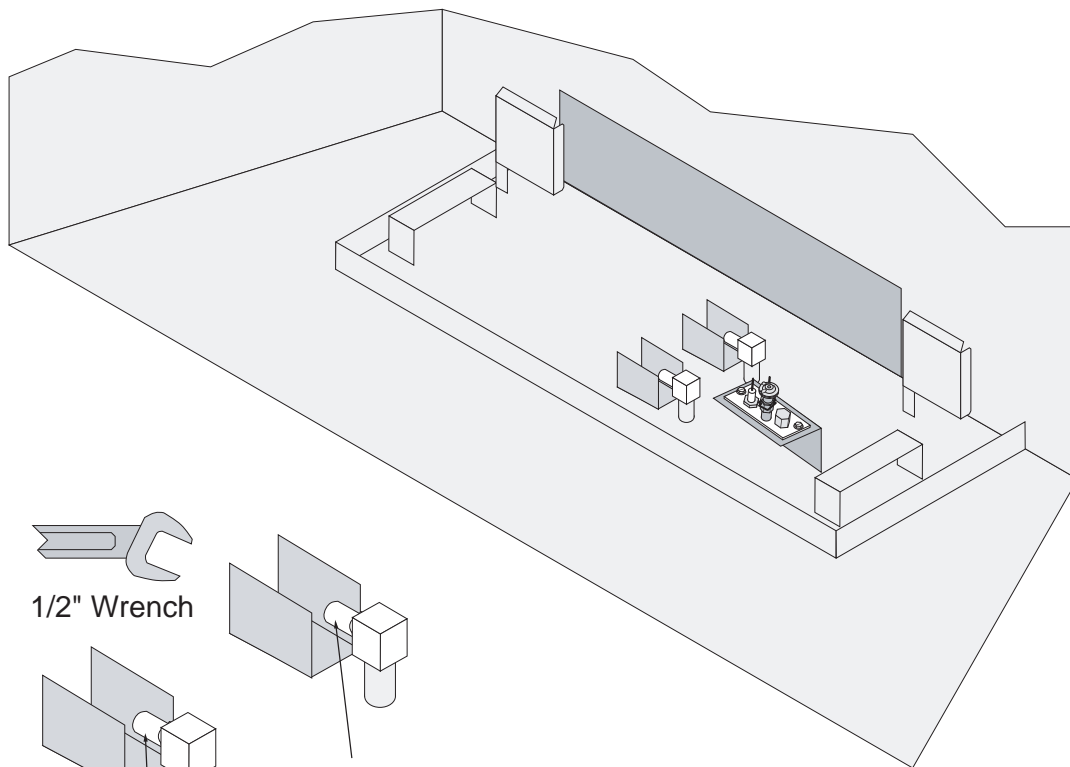
- 3 Remove and discard the back air shield.



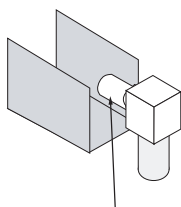
- 4 Remove and discard the manifold cover (see below).



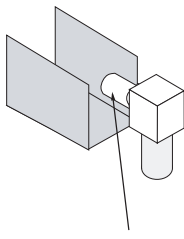
5 Follow the directions below to replace the orifices.



1/2" Wrench



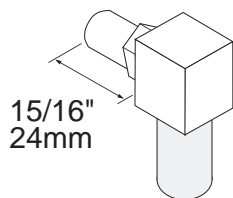
Front Burner Orifice



Rear Burner Orifice

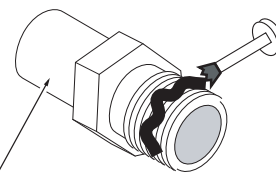
(a) Use a 1/2" open end wrench to unscrew the two orifices.

(c) Screw each LP orifice in so the orifice protrudes 15/16" (24mm) (indicating full insertion).



(b)

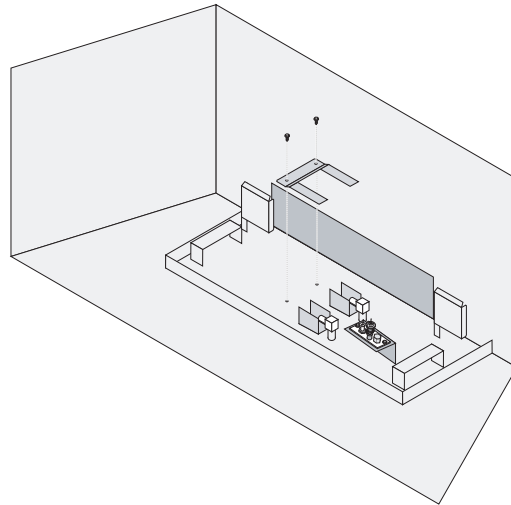
Apply thread sealant to the LP orifices prior to installation. Use the chart below to identify the correct orifices.



Look here for the orifice identification

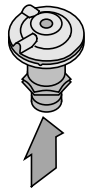
	NG	LP
Front	#48	1.25mm
Rear	#39	.0625"

- 6 Install the new manifold cover included in the LP conversion kit (see illustration below).

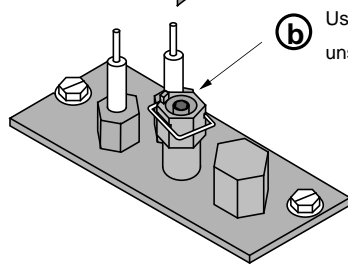


- 7 Remove the pilot orifice following the instructions below. Replace with the propane pilot orifice

- a** Lift the pilot hood off the pilot assembly.



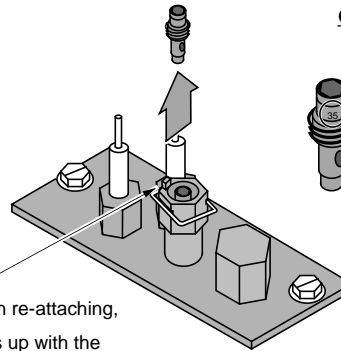
- c** Remove the orifice and replace with the LP orifice. Screw the orifice all the way in and replace the pilot hood.



- b** Use a hex wrench to unscrew the orifice.



NOTE: when re-attaching, this pin lines up with the notch in the pilot hood.



Orifice Identification:

LP (Propane) Orifice

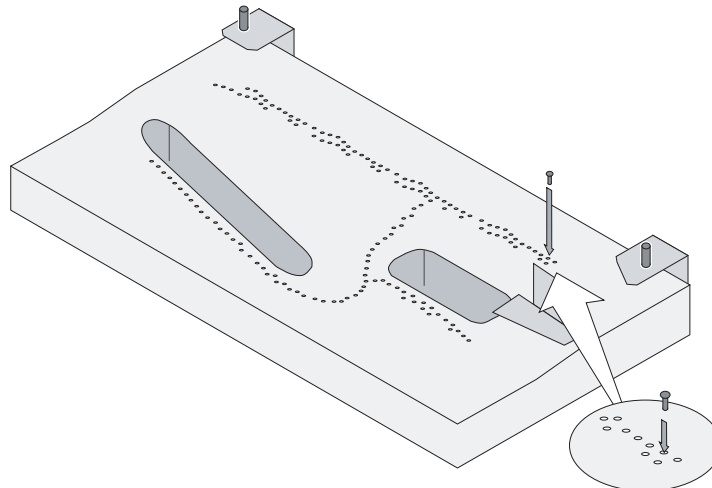
35

NG (Natural Gas) Orifice

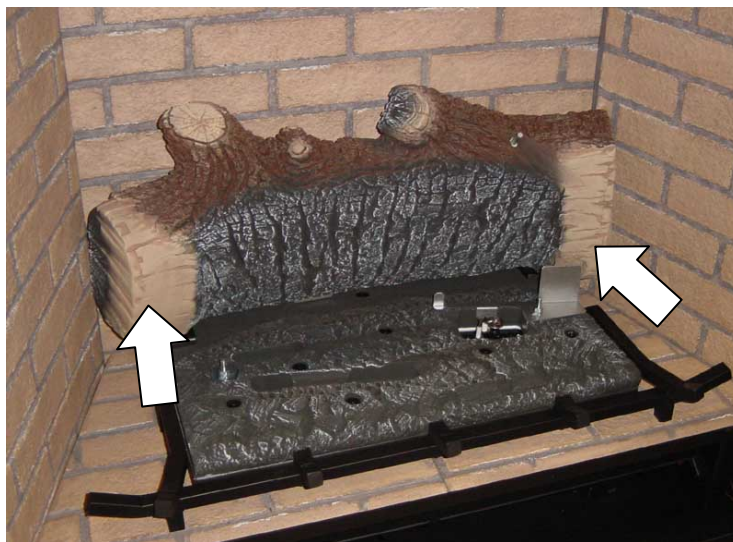
62

- 8 Replace the burner. **Push the burner to the right side to insure the manifold inserts over the orifices.**

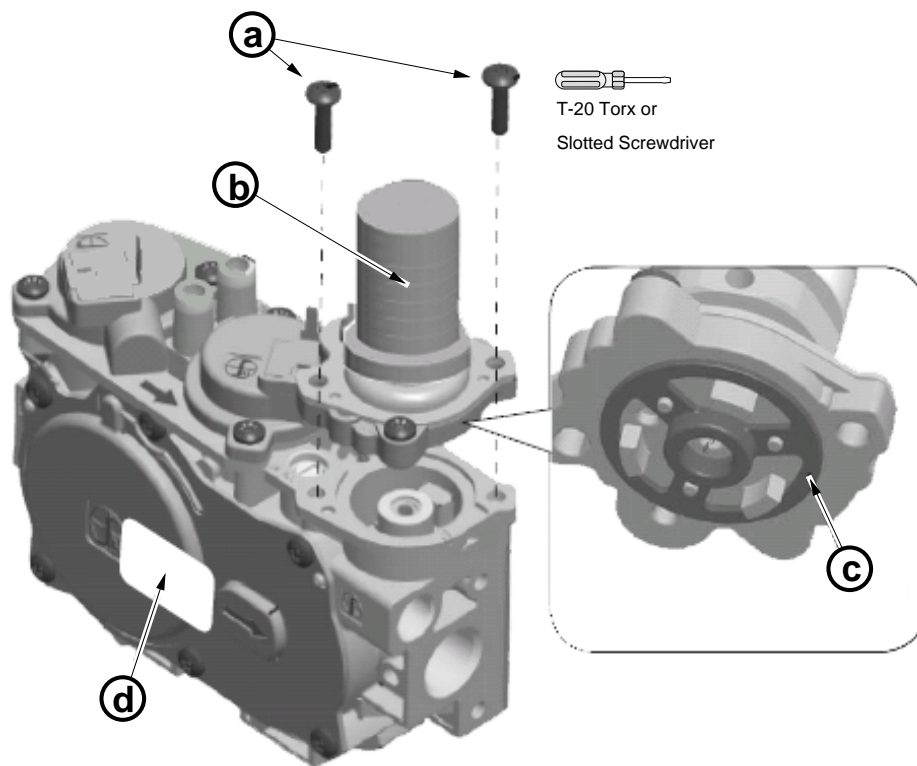
- 9 Install the rivet included in the LP conversion kit into the hole shown below.



- 10 Replace the remaining firebox components. **NOTE:** Make sure the log is pushed all the way to the back of the firebox. This prevents sooting under the log..



- 11 Replace the glass.
- 12 Remove and discard the screws (see “a” below) holding the stock regulator in place (see “b” below). Remove the stock regulator and gasket (see “c” below). Place the LP regulator in place, making sure the pre-fitted gasket (see “c” below) is in place. **NOTE:** There is a label on the base of the regulator knob indicating regulator type (NG or LP). Secure the regulator with the screws included with the regulator – tighten to 25 lb-in of torque (2.82 NM). Place the included label on the valve body where it can be easily seen to insure proper identification. **NOTE: Leak test this area after the heater is installed, gas is connected, and the main burner is lit.**

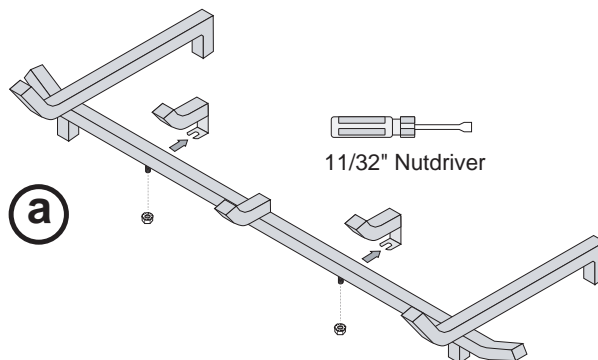


- 13 Make the gas line connection, bleed the gas line (if applicable), start the heater and thoroughly leak-test all gas connections and the gas control valve.

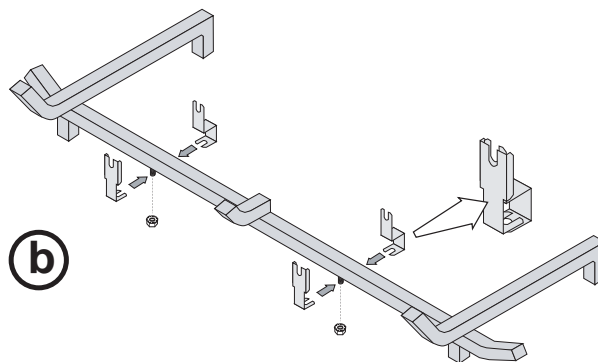
Andiron Installation

The optional andirons should be installed prior to installing the logs. See the directions below for installation.

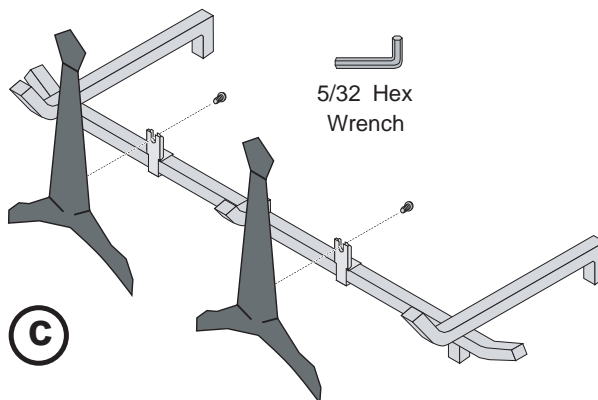
- 1 Remove the grate from the firebox. Remove and discard the two andiron prongs (see step "a" to the right).
NOTE: The nuts do not need to be removed, they can be loosened to remove the prongs.



- 2 Attach the andiron brackets (shipped with the fireplace) to the grate (see step "b").



- 3 Attach the andirons to the andiron brackets using the screws included with the andirons (see step "c").

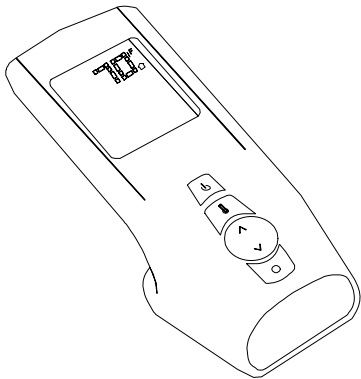


GreenSmart™ Remote Control Installation

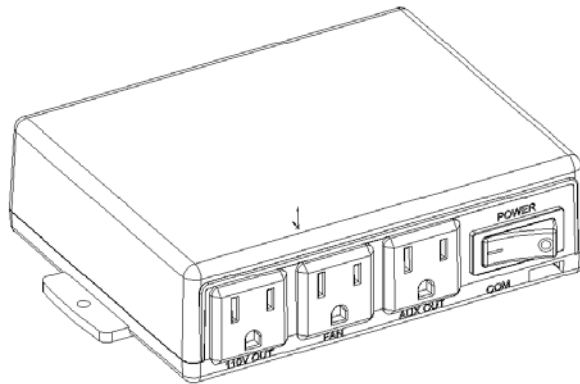
Packing List

- Transmitter
- Receiver (with Cover Plate & Switch)
- Fan Control Module
- Velcro
- LP or NG Stepper Motor (with screws and label - attaches to Valve)
- Wire Harness
- (2) Power Leads
- (4) AA Batteries (inside receiver box)
- (2) #8 x 1/2" Machine Screws
- (2) Wire Ties
- Torx T-20 Wrench
- Wall Mount (for placing the transmitter on a wall)
- (2) Drywall anchors (for wall mount)
- (2) #8 x 3/8" Type B Screws

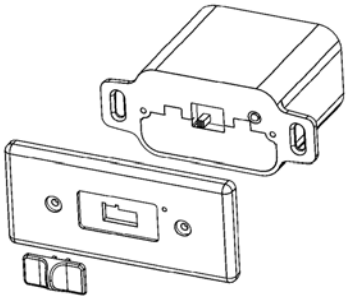
Transmitter



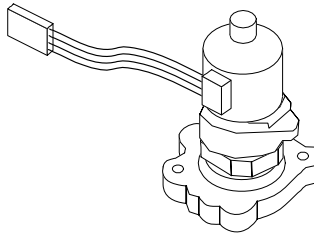
Fan Control Module



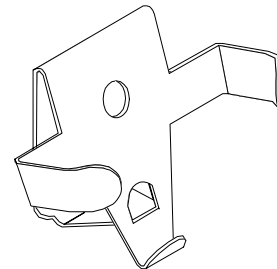
Receiver



Stepper Motor



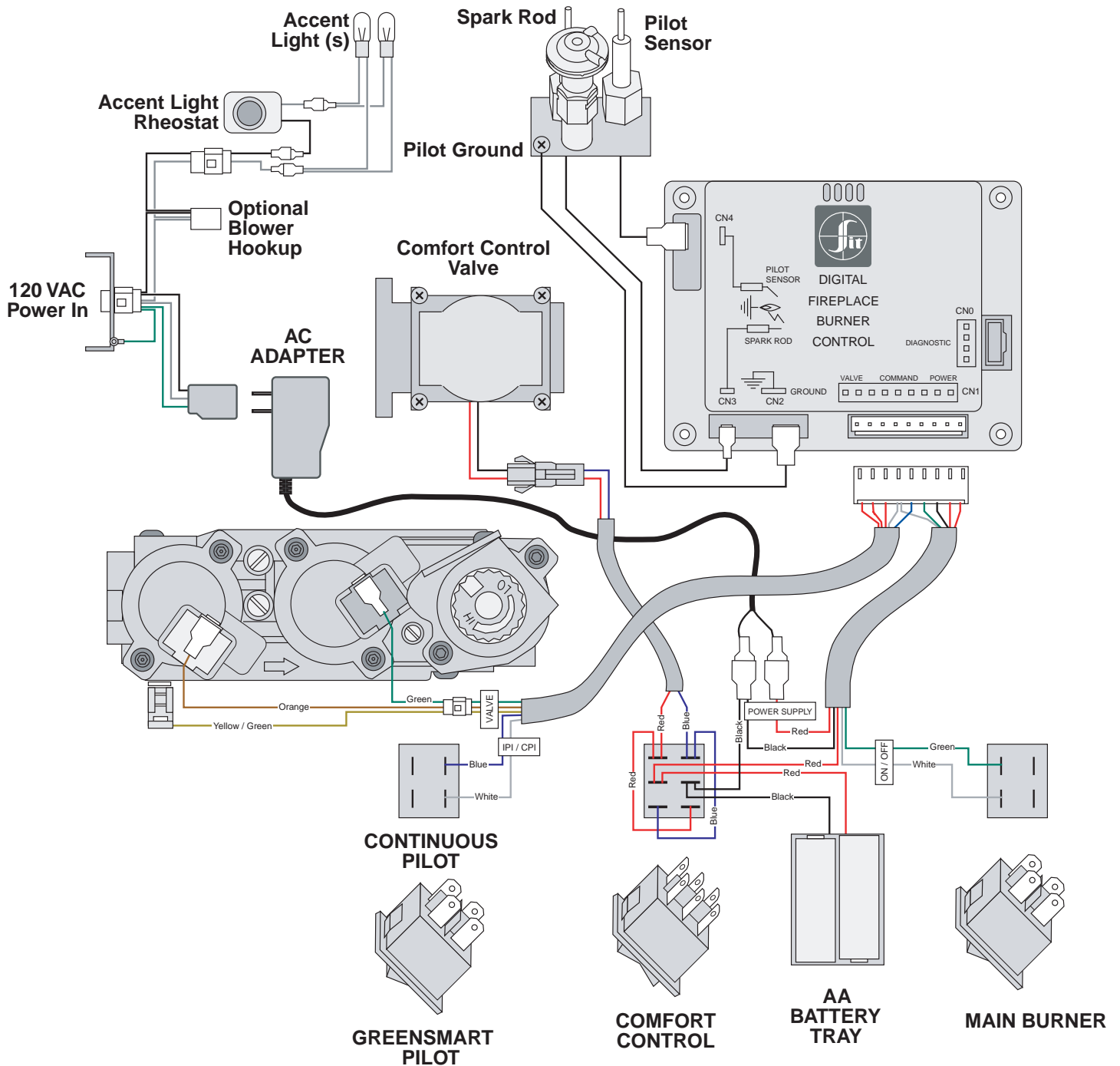
Transmitter Wall Mount



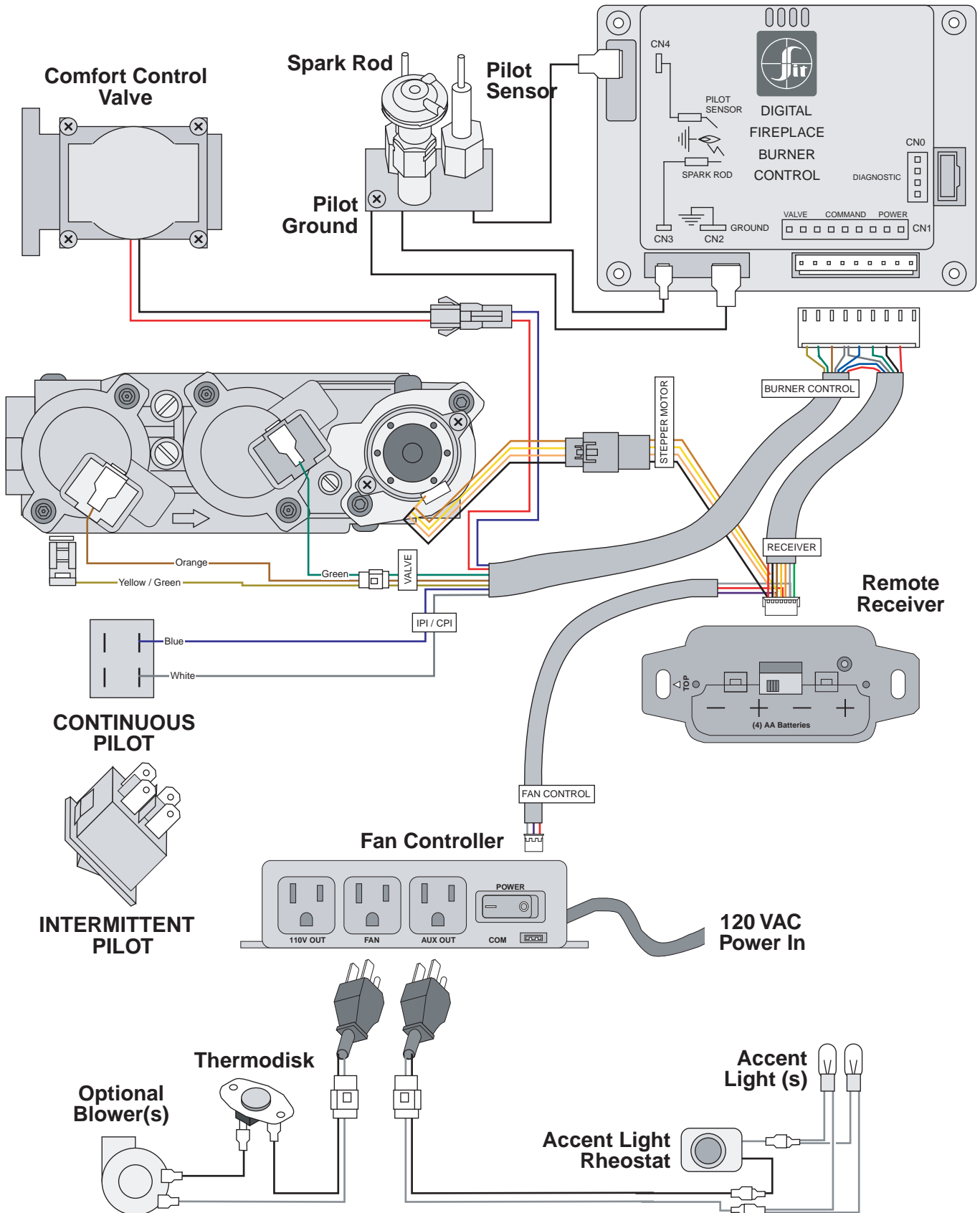
Overview

The GreenSmart remote installs onto a 864 fireplace and replaces the stock wiring harness. Before installing, familiarize yourself with the stock and updated wiring diagrams (see the illustrations on this page and and following page).

Stock Wiring Diagram



GreenSmart Wiring Diagram



Installation

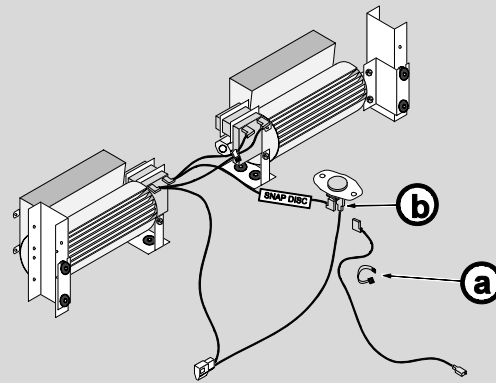
WARNING: Make sure power to the fireplace has been shut off prior to installation.

NOTE: Refer to the wiring diagram on page 62 while making wiring harness connections.

Special Instructions for this Fireplace

If using the Greensmart™ remote, the blower included with this fireplace should be attached to a power lead (included with the remote) and connected to the Fan Controller (see wiring diagram on previous page). See the remote installation instructions for further details. In addition, bypass the blower rheostat following the directions below.

Bypassing the Rheostat - In addition, you will need to bypass the rheostat (the remote controls the blower). This is done by disconnecting and discarding the electrical line that leads from the snap disk to the rheostat (carefully remove the wire tie from the wiring harness – see “a”). Attach the lead from the power input to the snap disk (see “b”).



- 1 Remove the concealment cover (see Figure 1).

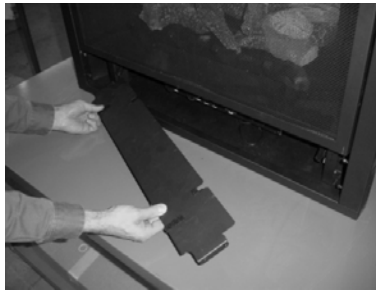


Figure 1

- 2 Unscrew the four screws holding the control cover in place (see Figure 2). Carefully remove the control cover (see Figure 3)

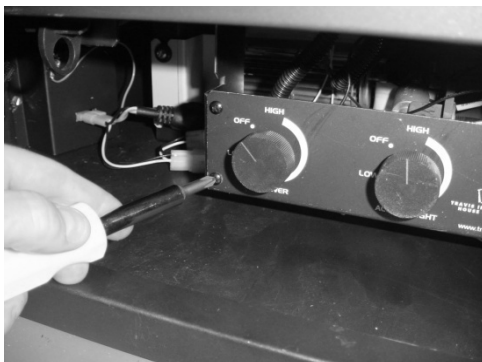


Figure 2



Figure 3

- 3 Unplug the ac adapter from the power harness (see Figure 4). You can leave the ac adapter plugged into the wiring harness.

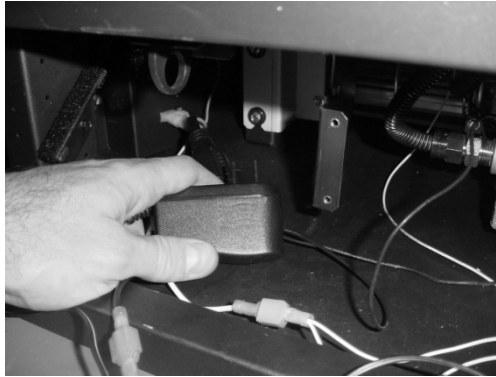


Figure 4

- 4 Disconnect the molex connector leading to the gas control valve (see Figure 5).
WARNING: The tabs on the gas control valve are fragile. Take care when removing the molex connector to not pull or damage the wires or tabs.

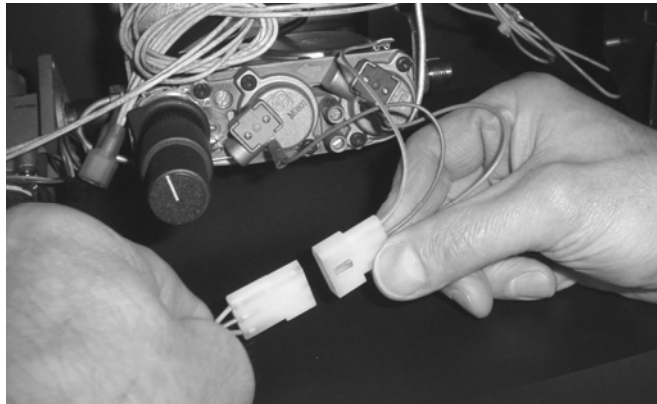


Figure 5

- 5 Disconnect the two leads on the back of the control panel for the IPI / CPI switch (continuous pilot / greensmart pilot – see Figure 6).

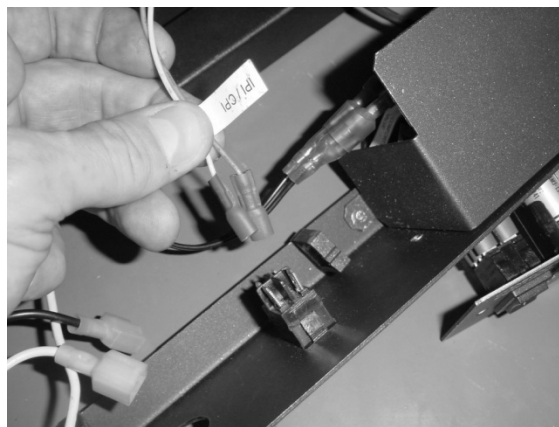


Figure 6

- 6 Disconnect the comfort control valve connection (see Figure 7). Disconnect the burner control connector from the fireplace burner control (see Figure 8).

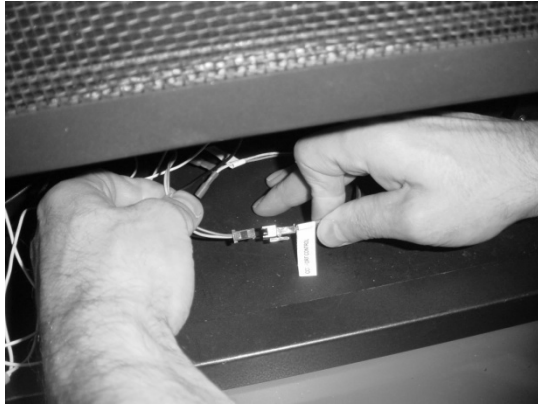


Figure 7

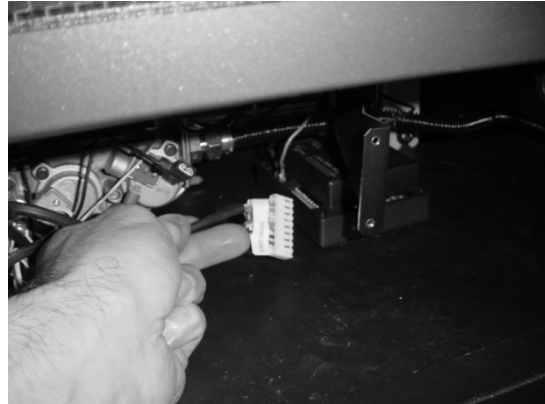


Figure 8

- 7 Unscrew the on/off/battery plate from the control panel (see Figure 9). Pull the plate and wiring forward (see Figure 10).



Figure 9

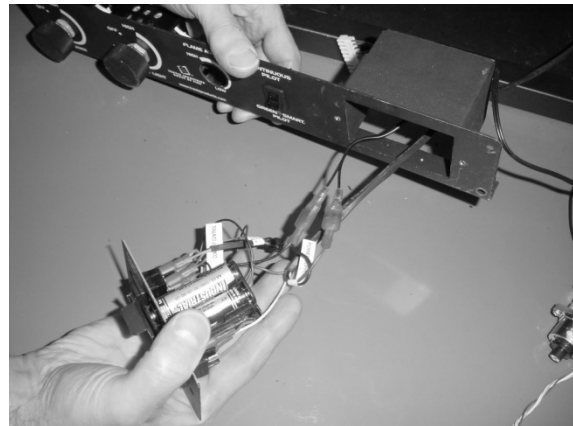


Figure 10

- 8 The control panel has plastic wire-locks attached to the back (see Figure 11). Un-hook the wires from the wire-locks and remove the wiring harness, plate, battery holder, and ac adapter (see Figure 12). These items may be discarded.

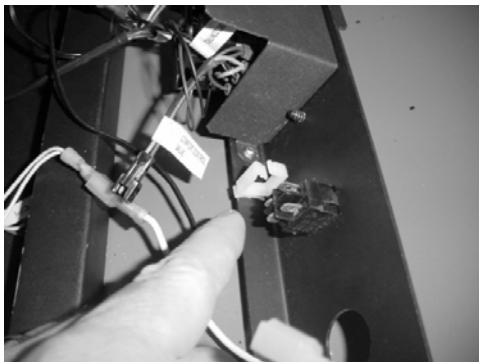


Figure 11

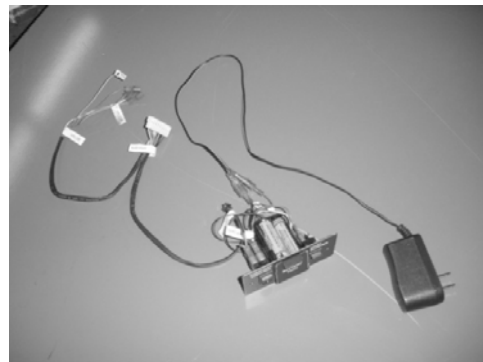


Figure 12

- 9 Use the included torx wrench to remove the stock regulator (see Figure 13). These items may be discarded.

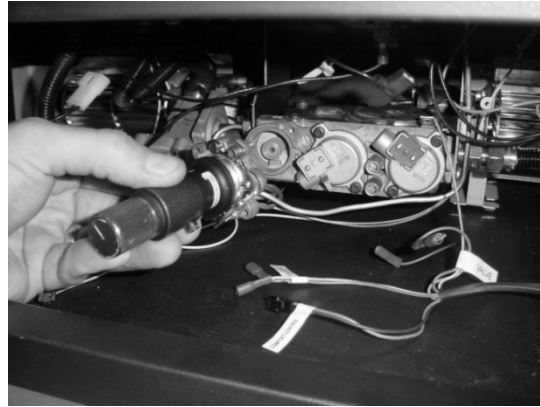


Figure 13

- 10 The stepper motor (adjustable regulator) has an installation sheet included with it – make sure to follow all of the directions. Place the stepper motor on the gas control valve (see Figure 14) – **MAKE SURE IT IS CORRECTLY ORIENTED**. Secure using the screws included with the motor (see Figure 15) – tighten to 25 Lb-inches. Leak test this area after installation to verify proper installation.

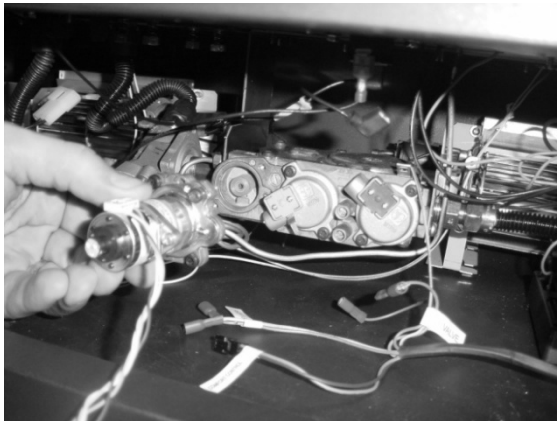


Figure 14

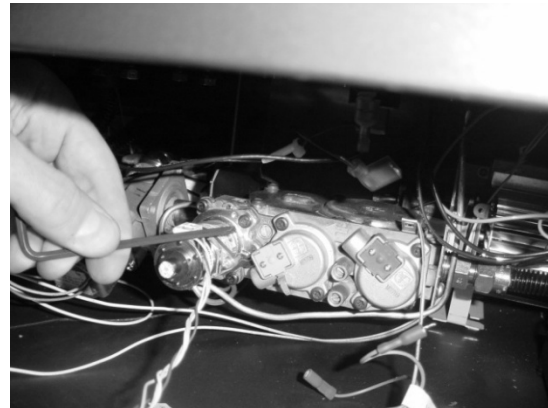


Figure 15

- 11 Place the GreenSmart wiring harness in front of the fireplace, noting the position of each connector (see .Figure 16).

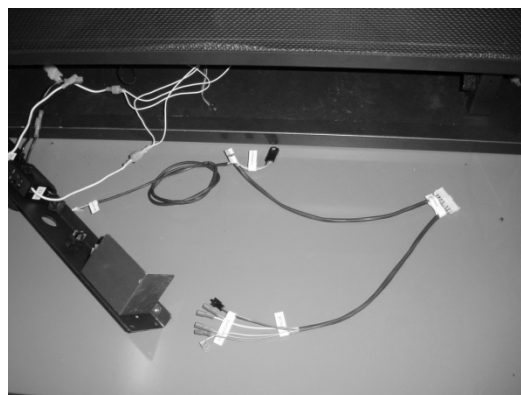


Figure 16

- 12 Attach the wiring harness to the burner control (see Figure 17). Attach the gas control valve molex connector (see Figure 18).

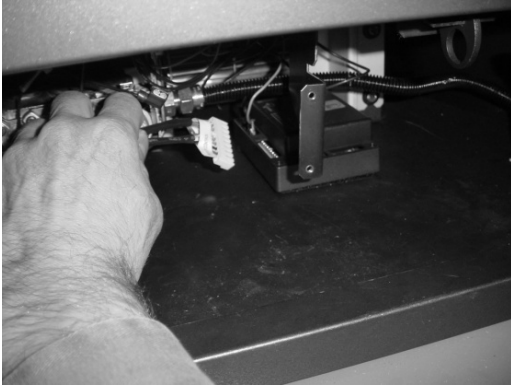


Figure 17

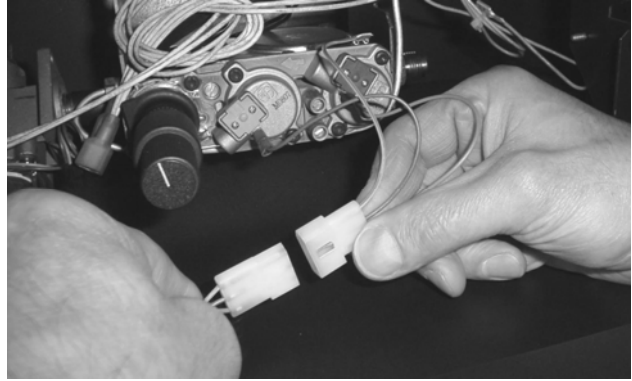


Figure 18

- 13 Attach the blue and white wires to the IPI/CPI switch (see Figure 19). Connect the wiring harness to the stepper motor (see Figure 20).

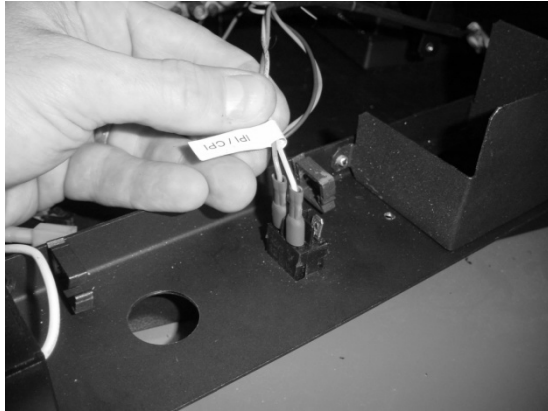


Figure 19



Figure 20

- 14 Attach the wiring harness to the comfort control valve connection (see Figure 21).

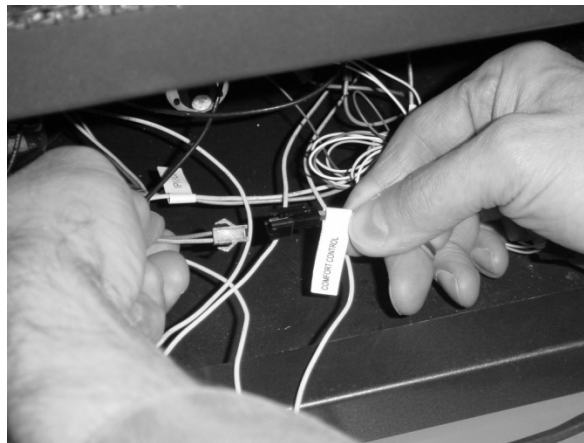


Figure 21

- 15 Place the fan controller near the front of the fireplace to the left and connect it to the wiring harness (see Figure 22). Attach the power cord from the fan controller to the AC connection (see Figure 23). **MAKE SURE TO TURN THE FAN CONTROLLER ON** ("-" SYMBOL).

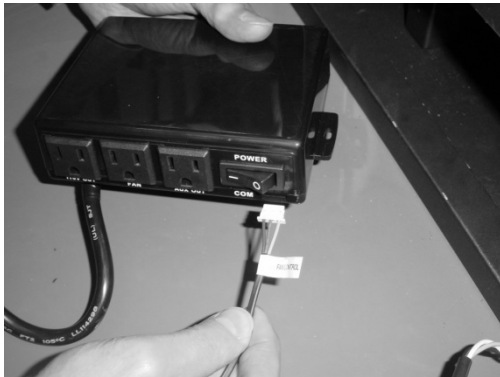


Figure 22



Figure 23

- 16 Disconnect the power lead from accent light and connect it to the power lead included with this kit (see Figure 24). Attach the power lead to the fan controller in the "AUX OUT" receptacle (see Figure 25).

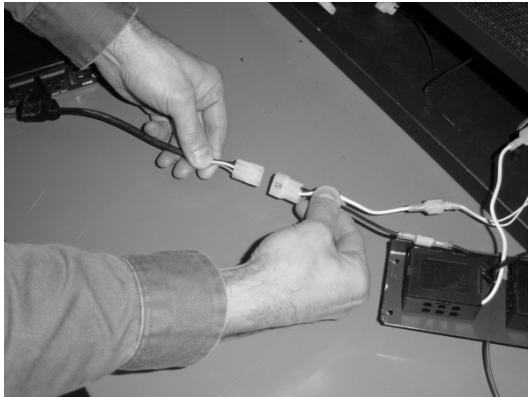


Figure 24

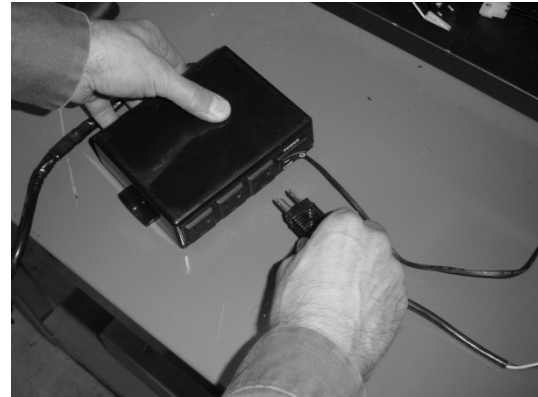


Figure 25

NOTE: If using the optional fan, you will want to disconnect its power lead and connect it to the extra power lead included with this kit, then connect it to the "FAN" receptacle on the fan controller.

- 17 Attach the included velcro to the bottom of the fan control module and to the base of the fireplace near back left of the fireplace. Slide the fan controller into place and secure using the velcro (see Figure 26).



Figure 26

- 18 Pull the "RECEIVER" connector through the control panel and attach to the receiver (see Figure 27). Then attach the receiver to the control panel with the two #8 machine screws (see Figure 28).

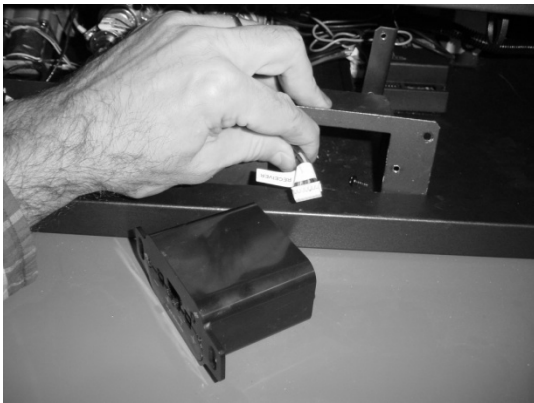


Figure 27



Figure 28

- 19 Place batteries into the receiver and transmitter (see Figure 29). Calibrate the receiver to the transmitter (see Figure 30 - use a paperclip to press the "PRG" button, let it beep, then press any button on the transmitter - the receiver should beep 5 times - see the operating instructions for further details).



Figure 29



Figure 30

- 20 Place the receiver coverplate (and switch) over the receiver (see Figure 31) and attach with the two screws included with the receiver (see Figure 32)



Figure 31



Figure 32

- 21 Clip any excess wiring into the wire clips on the back of the control panel (see Figure 33). Use the included wire ties, if necessary, to keep all wiring from contacting any hot or moving components. Re-attach the control panel (see Figure 34) and shroud (see Figure 1).



Figure 33

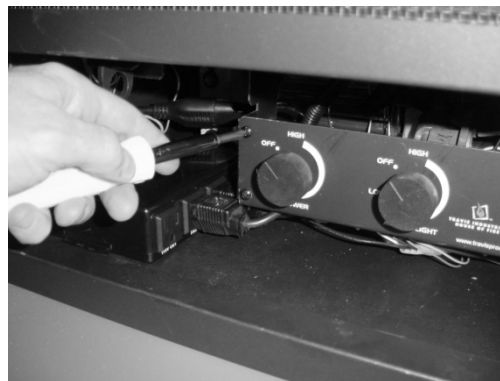


Figure 34

- 22 A wall mount is included with this kit for the remote. It may be mounted to the wall for easy access and storage. Use the included drywall anchors (and screws) to secure it to the wall (see Figure 35).

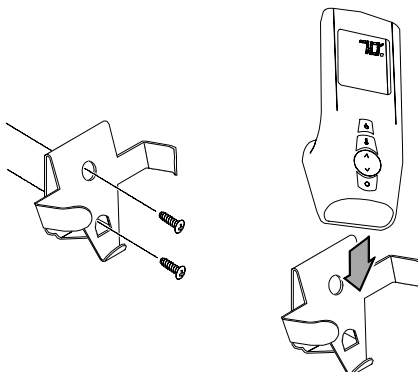


Figure 35

- 23 Restore power to the fireplace and test operation of the remote (see the instructions included with the remote).

Power Heat Duct Installation

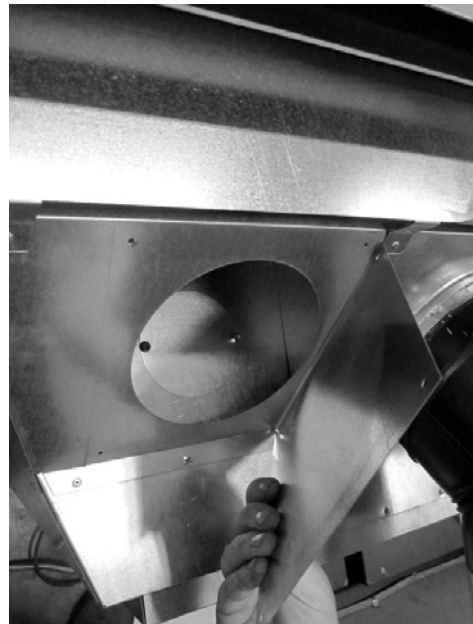
The optional power heat (98500769) duct may be used with this fireplace. Attach one or two heat ducts to the connections on top of the fireplace. Follow the directions included with the power heat duct for installation. The wiring may be routed through a snap disc on the fireplace (similar to the 864 HH).

NOTE: This fireplace has a snap disk pre-installed for the power heat duct. Attach the wiring included with the power heat duct

The location of the power heat duct cover on the rear of the fireplace is shown below.



1. Remove the 4 screws on the power heat duct cover and remove the cover.



Remove the 2 screws on the power heat duct cover plate and remove the cover.



Accent Light Bulb Replacement	26
Air Shutter Adjustment	21
Altitude Considerations	11
Approved Vent Configurations	12
Approved Vent	11
Before You Begin	24
BTU Specifications.....	5
Clearances.....	6
Continuous Pilot / GreenSmart™ Pilot Switch.....	25
Dimensions	5
Electrical Connection	10
Exhaust Restrictor.....	12
Facing Requirements	19
Fireplace Placement Requirements	6
Floor Mounted Fireplaces.....	18
Fuel.....	9
Gas Inlet Pressure	9
Gas Line Connection.....	9
Gas Line Location	9
Gas Line Requirements.....	9
Glass Cleaning.....	26
Glass Frame Removal and Installation.....	22
Hearth Requirements	18
Intake Restrictor.....	13
Location of Controls	24
Log Installation	23
LP Conversion Instructions	29
Mantel Requirements	20
Min. Framing Dimensions.....	7
Nailing Brackets	8
Power Hear Duct Installation.....	64
Raised Fireplaces	18
Raised Fireplaces	6
Replacement Parts List	27
Restrictor Position	12
Steps for Finalizing the Installation.....	21
Termination Requirements	17
Vent Clearances.....	11
Vent Configuration: Horizontal Termination (no vertical rise)	14
Vent Configuration: Horizontal Termination (with vertical rise)	15
Vent Configuration: Vertical Termination.....	16
Vent Firestop.....	11
Vent Installation.....	11
Vent Requirements	11
Wiring Diagram	28
Yearly Service Procedure.....	26